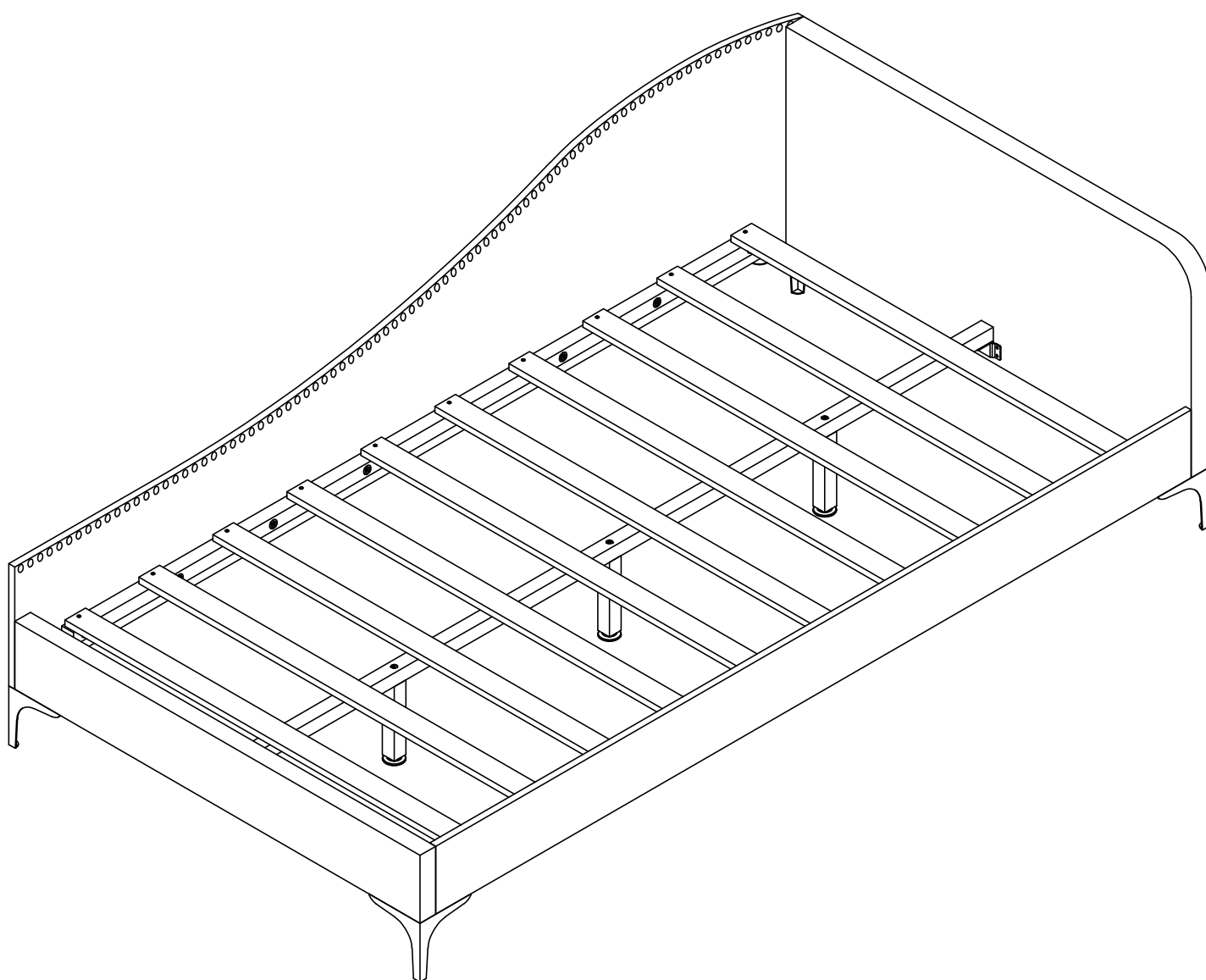
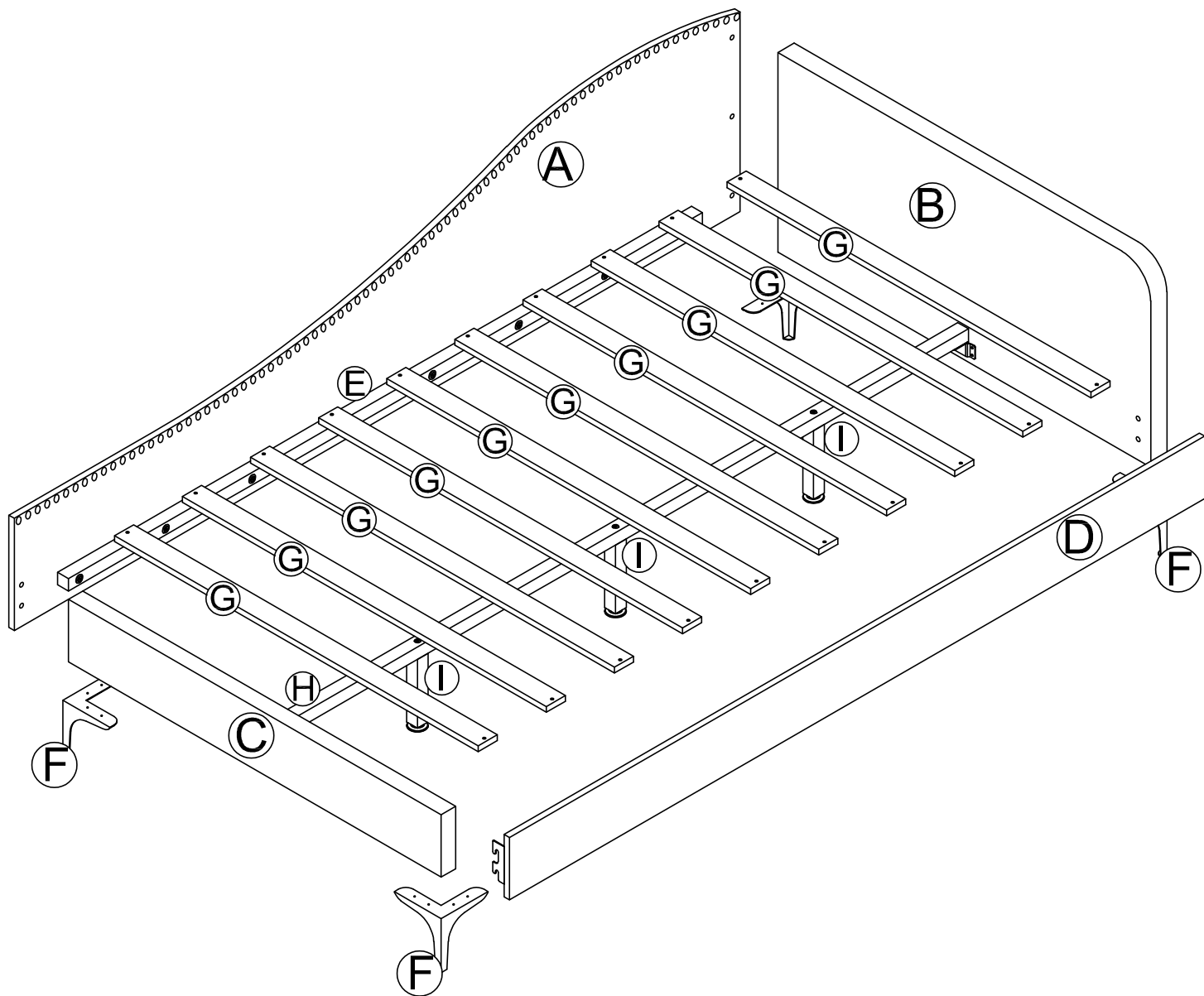


# ASSEMBLY INSTRUCTION

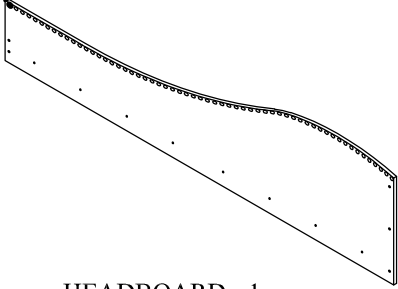
## (WF314770/WF314771)





# Part List (Box 1- WF314770)

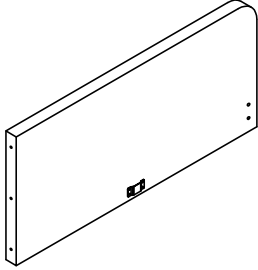
**A**



HEADBOARD - 1pc

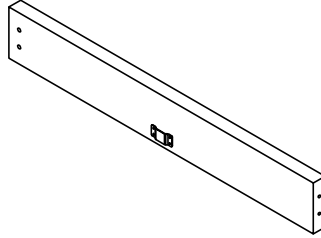
# Part List (Box 2- WF314771)

**B**



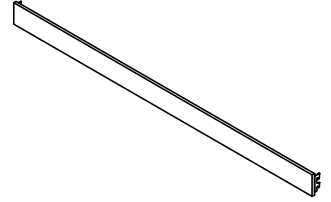
SIDE FRAME BIG - 1pc

**C**



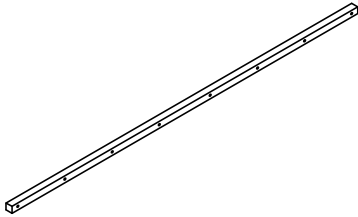
SIDE FRAME SMALL - 1pc

**D**



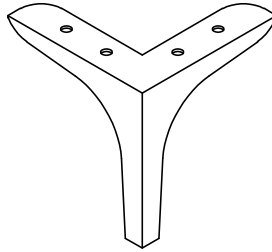
SIDE PANEL - 1pc

**E**



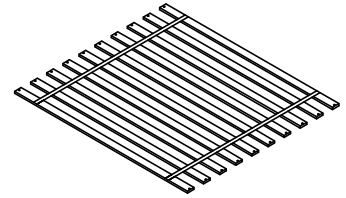
SIDE WOOD BASE - 1pc

**F**



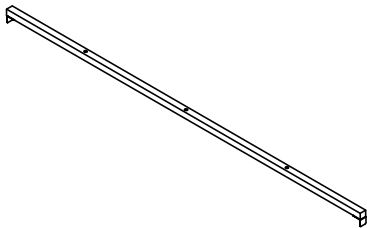
METAL LEG - 4pcs

**G**



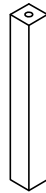
SLAT - 1SET/10pcs

**H**



CENTER WOOD BASE - 1pc

**I**



WOODEN SUPPORT LEG - 3pcs

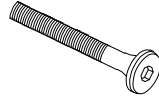
# Hardware List (WF314771)

1



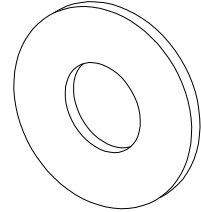
JCBB M8 x 16mm (4 pcs)

2



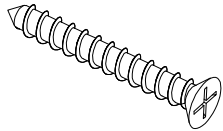
JCBC M6 x 45mm (16 pcs)

3



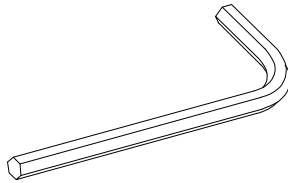
M6 Flat Washer (13pcs)

4



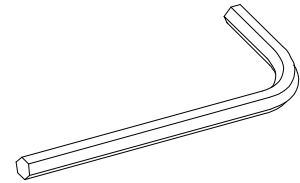
CSK SCREW M4 x 30mm (40pcs)

5



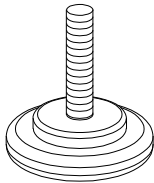
Allen Key M4 (1pc)

6

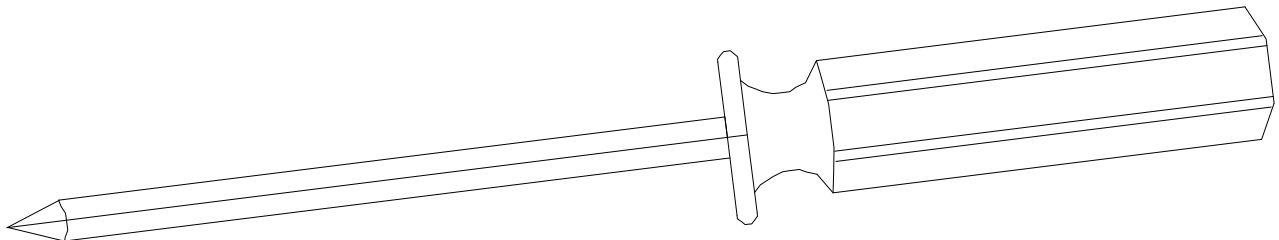


Allen Key M5 (1pc)

7

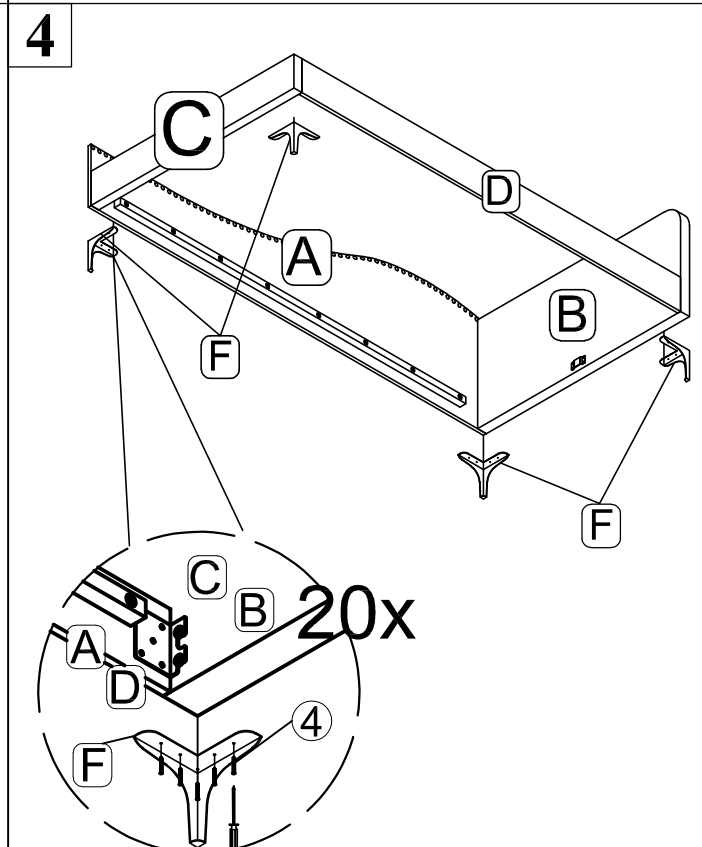
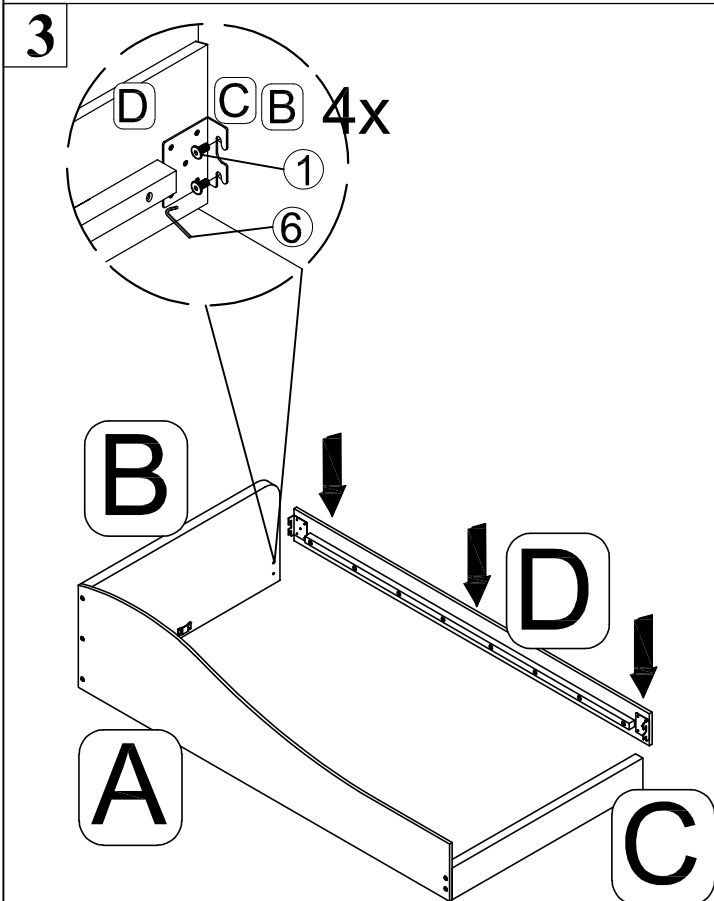
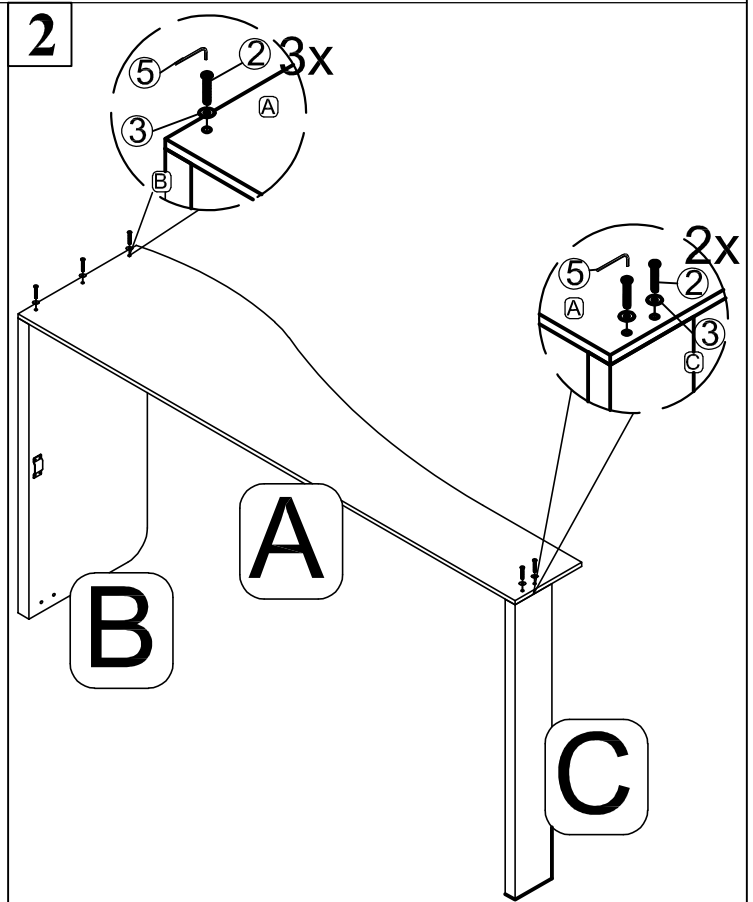
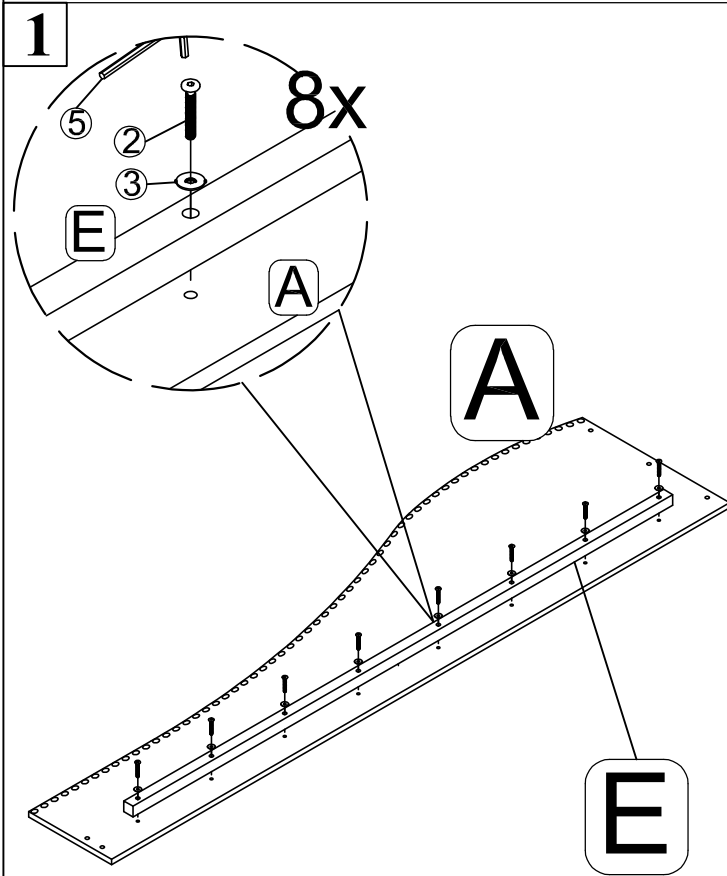


BASE GLIDE (3pcs)



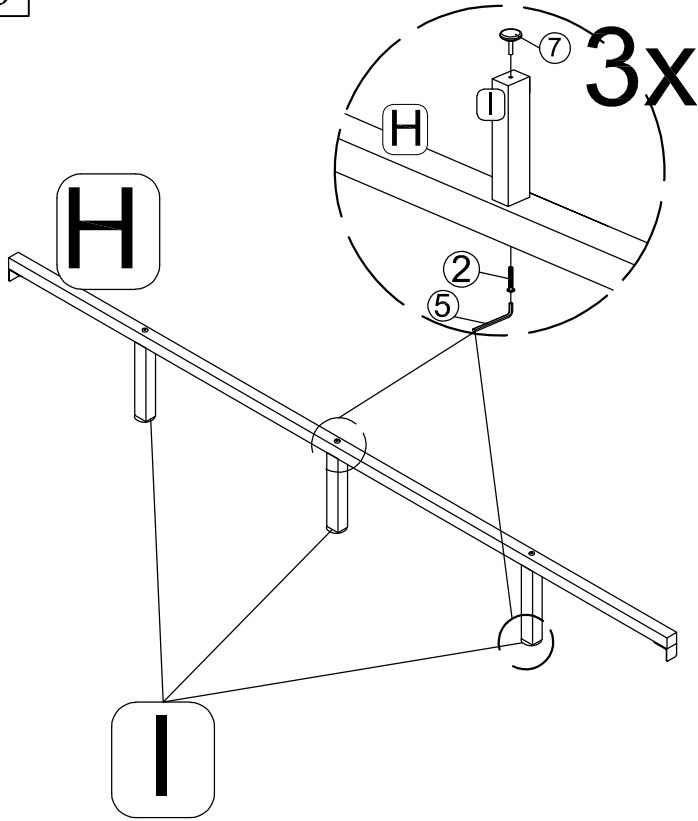
Assembly Tools  
Required (Not Included)

# Assembly Step

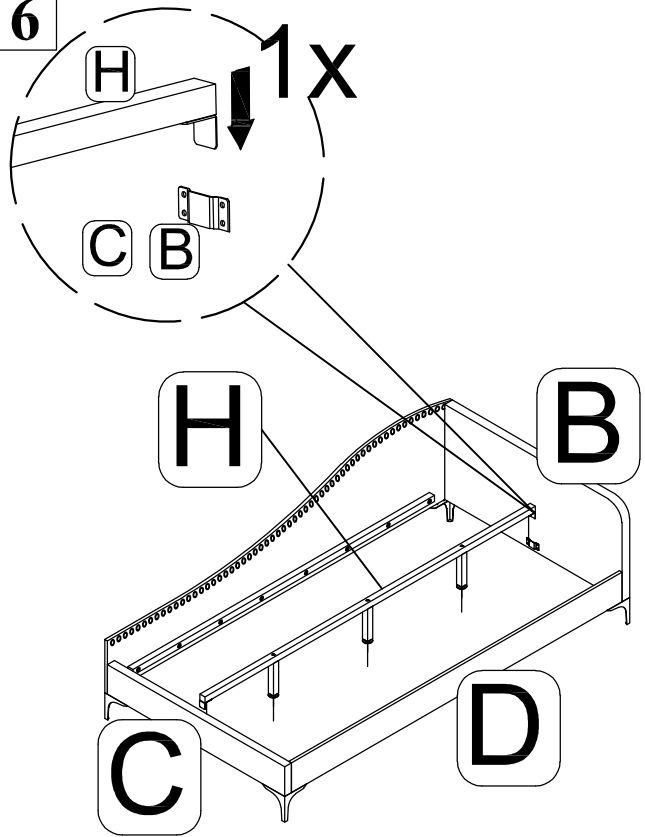


# Assembly Step

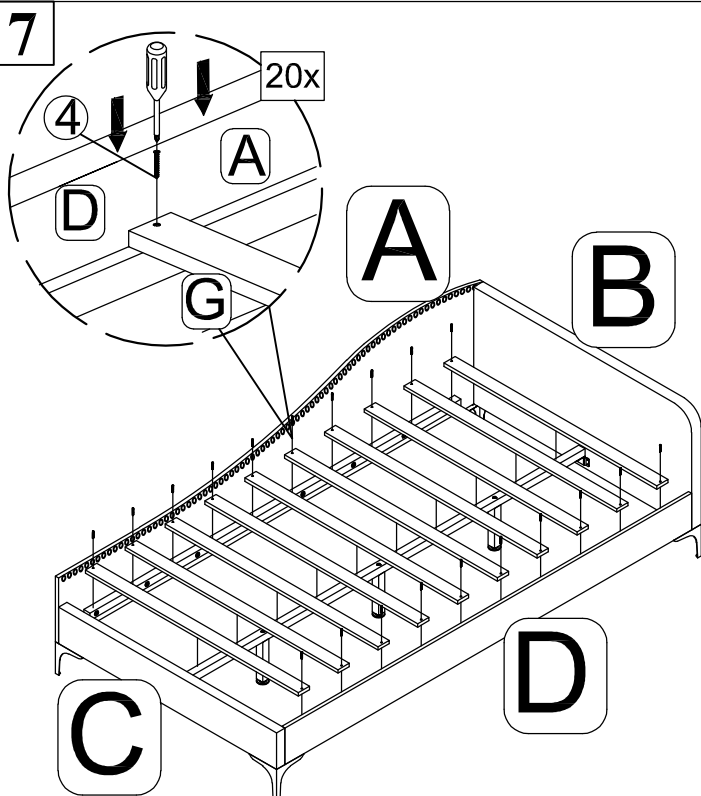
5



6



7



FULLY COMPLETED ASSEMBLY

