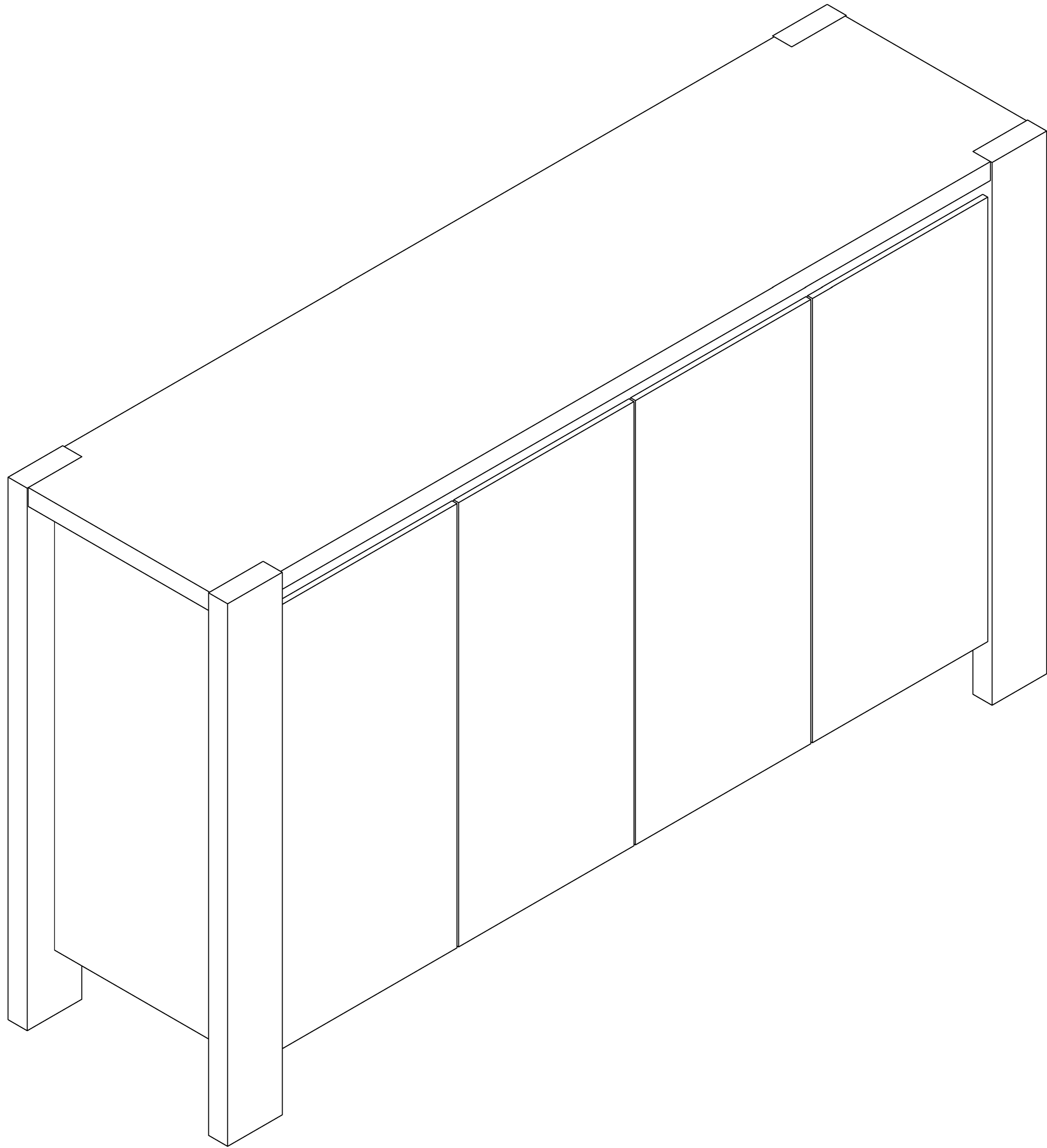
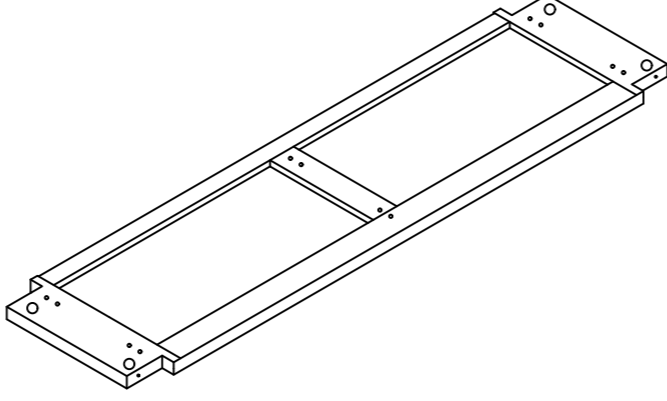
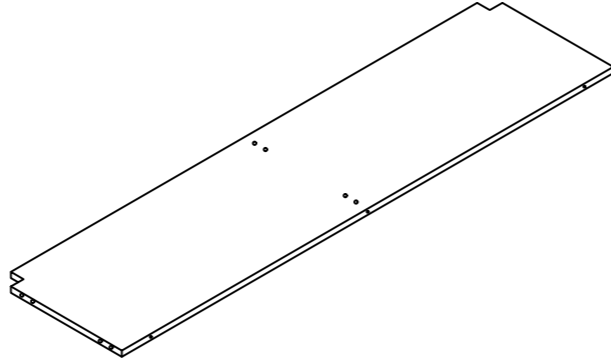
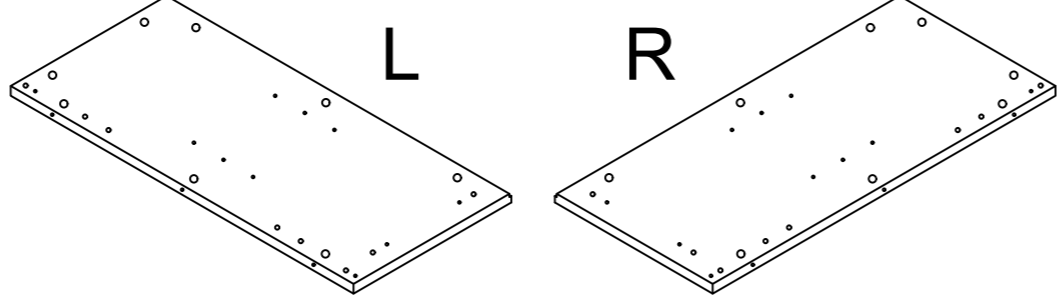
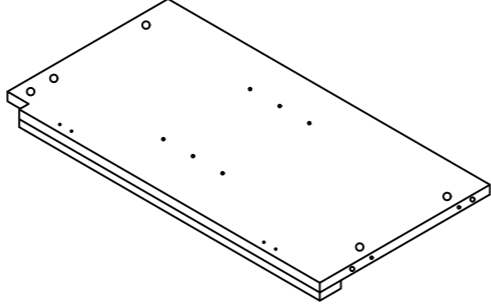
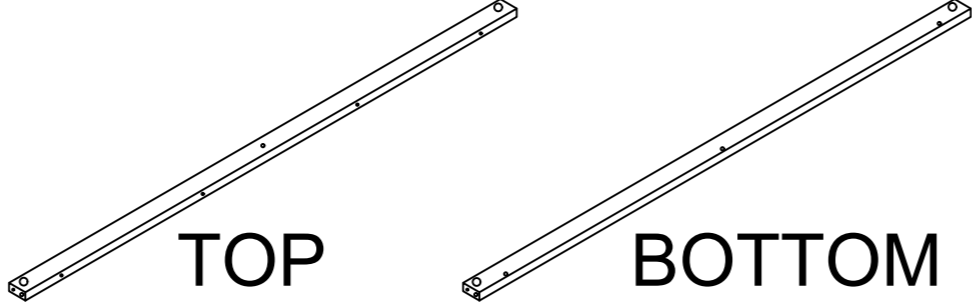
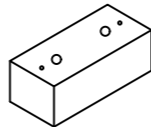
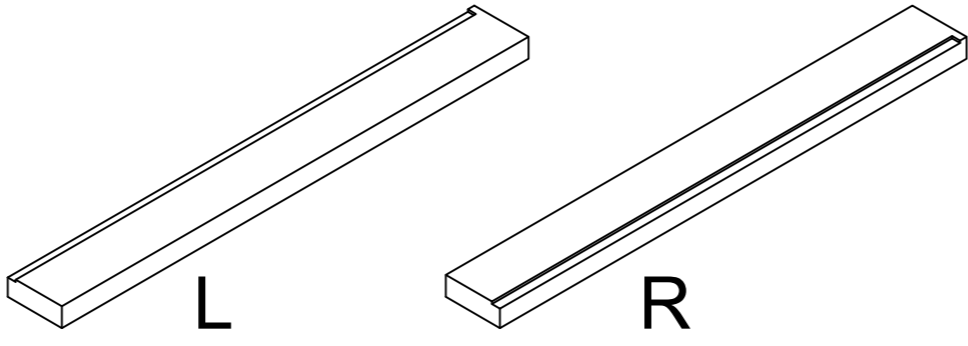
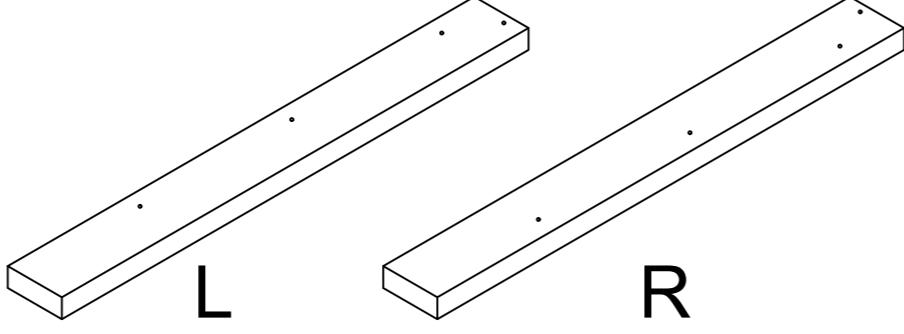
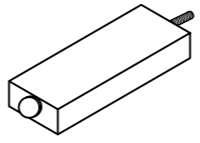
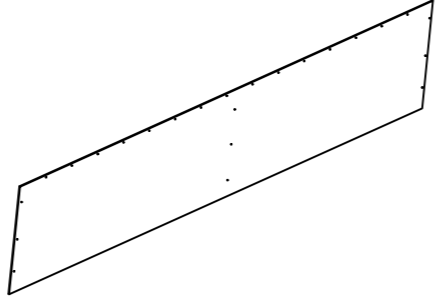
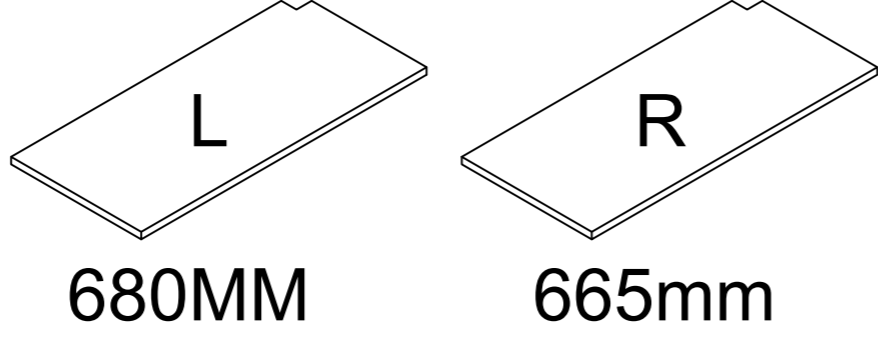
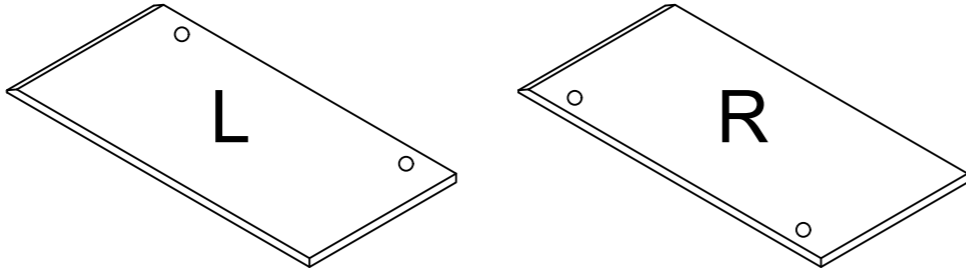


# ASSEMBLY INSTRUCTION

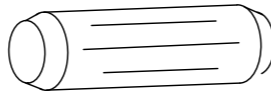
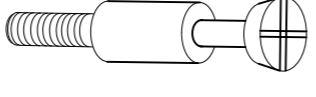
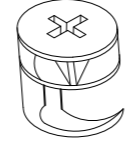
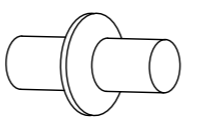
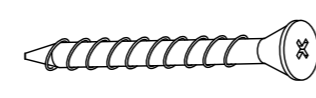
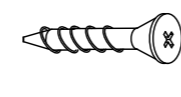
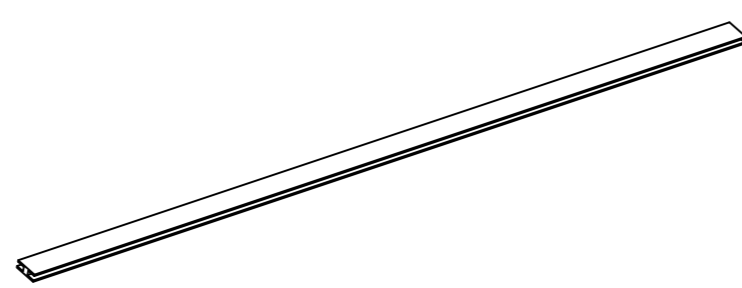
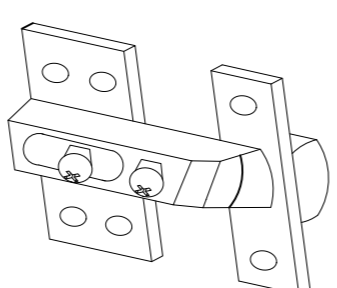
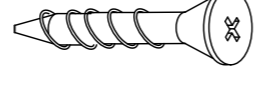
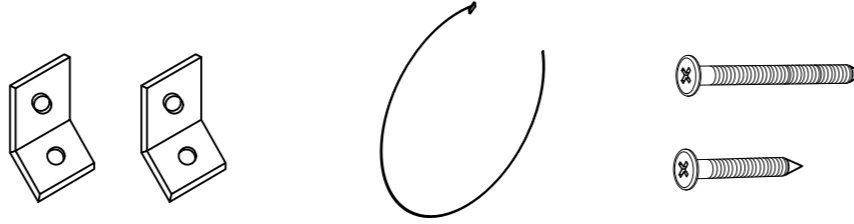
## SIDEBOARD



# Component List

LABEL		DESCRIPTION	QTY
1		TOP PANEL	1PC
2		BOTTOM PANEL	1PC
3		SIDE PANEL (L&R)	2PCS
4		CENTER PANEL	1PC
5		SUPPORT RAIL	2PCS
6		HINGES SUPPORT BLOCK	4PCS
7		PILLAR (BACK)	2PCS
8		PILLAR (FRONT)	2PCS
9		CENTER LEG	1PC
10		BACK PANEL	2PCS
11		SHELF	2PCS
12		DOOR (L&R)	4PCS

# Hardware List

LABEL		DESCRIPTION	QTY
A		WOOD DOWEL M8 X 30MM	24PCS
B	B1  B2 	CAM BOLT CAM LOCK	36SETS
C		METAL SHELF SUPPORT	8PCS
D		CSK SCREW M4 X 32MM	16PCS
E		CSK SCREW M3 X 12MM	44PCS
F		H CONNECTOR 1298MM	1PC
G		SOFT CLOSE HINGES 5/8"	8PCS
H		CSK SCREW M3.5 X 16MM	48PCS
I		ANTI TIPPING KIT	1SET

"FOR CSK SCREWS, YOU CAN USE A **SCREWDRIVER**



OR AN **ELECTRIC DRILL**

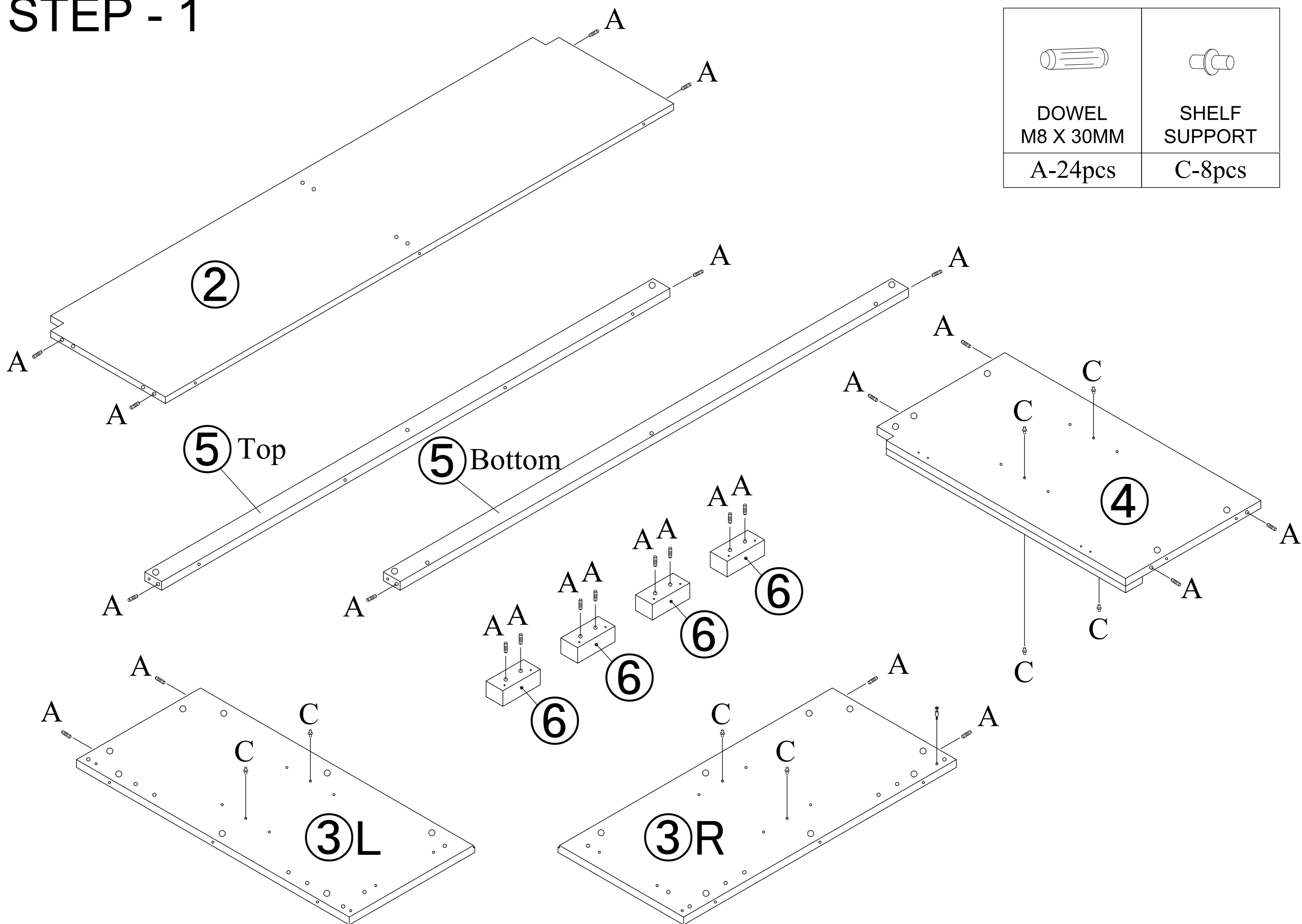


TO

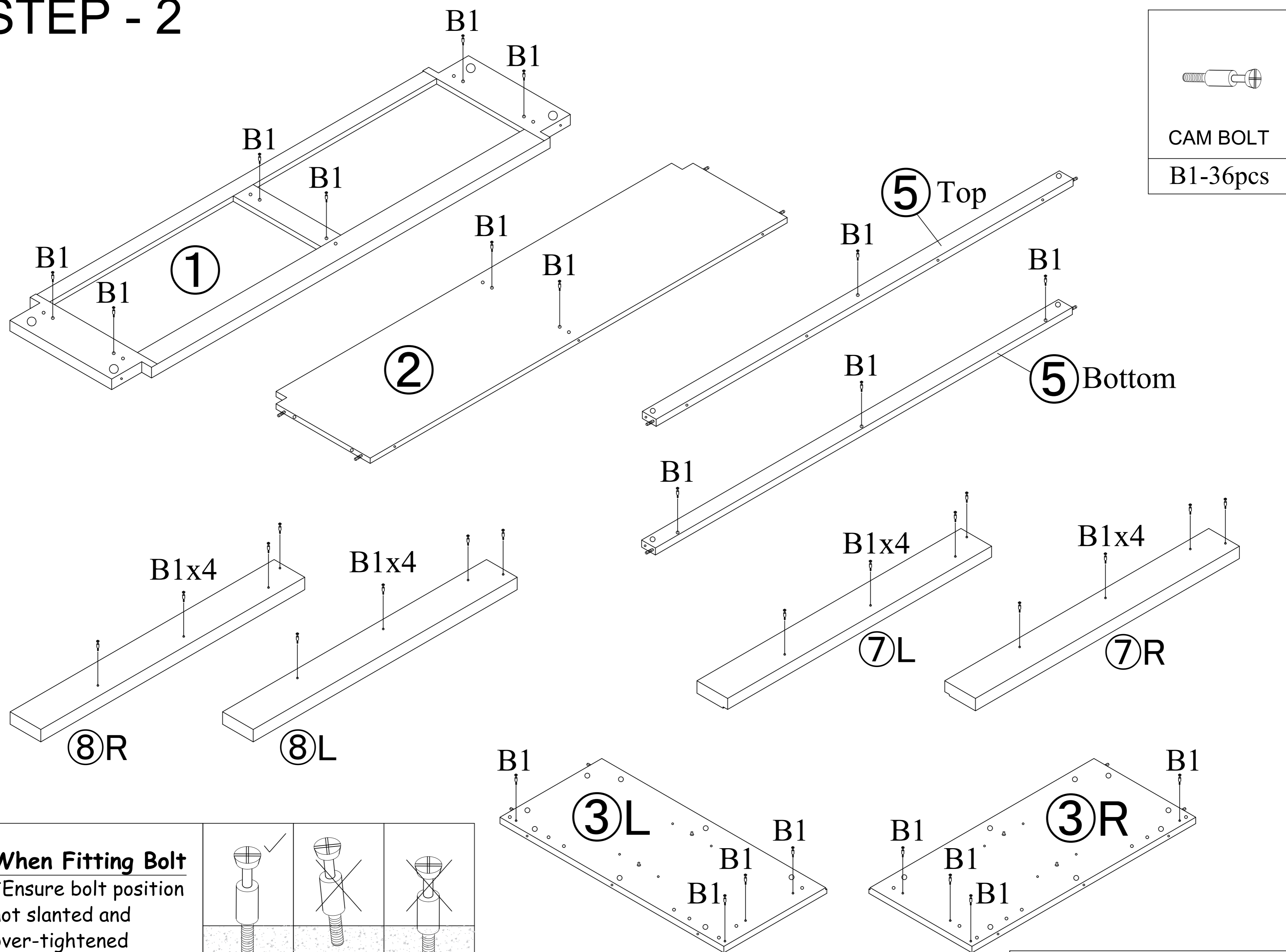
SCREW THEM IN —

PLEASE PREPARE THIS YOURSELF."

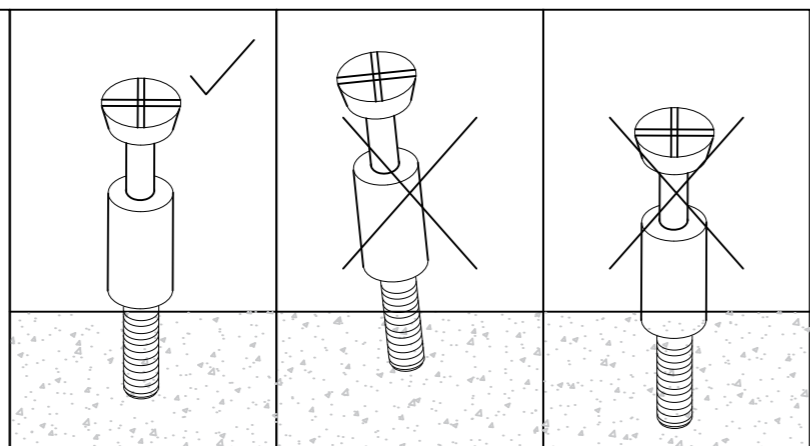
# STEP - 1



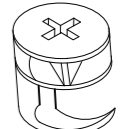
# STEP - 2

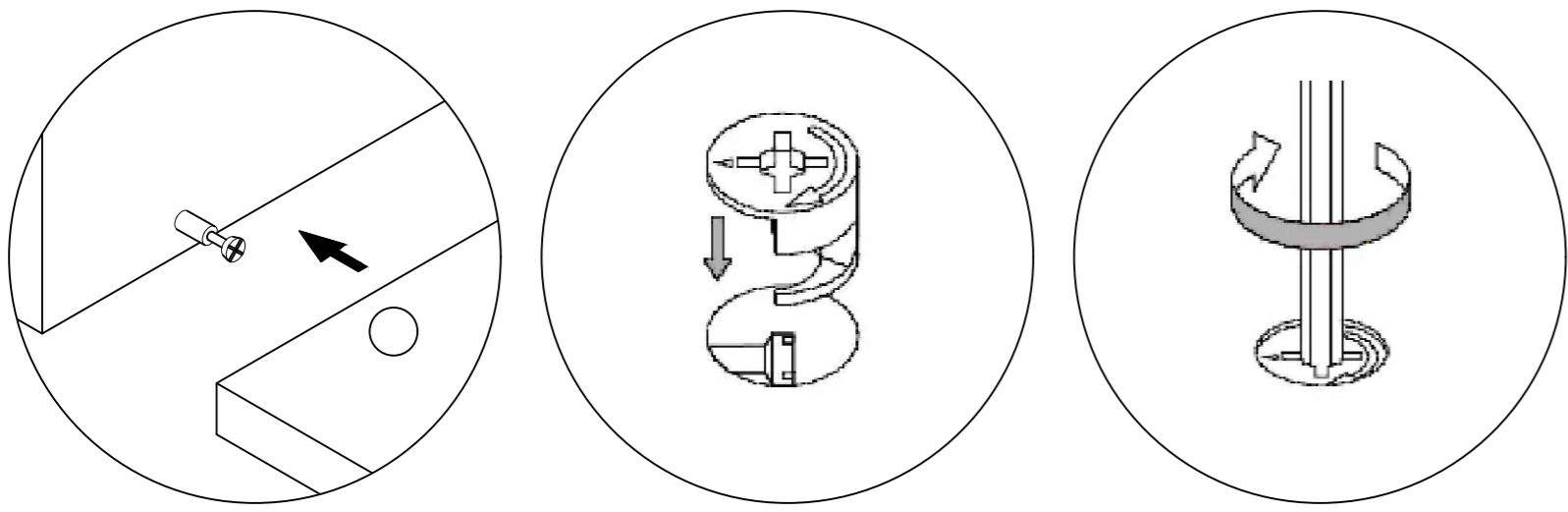
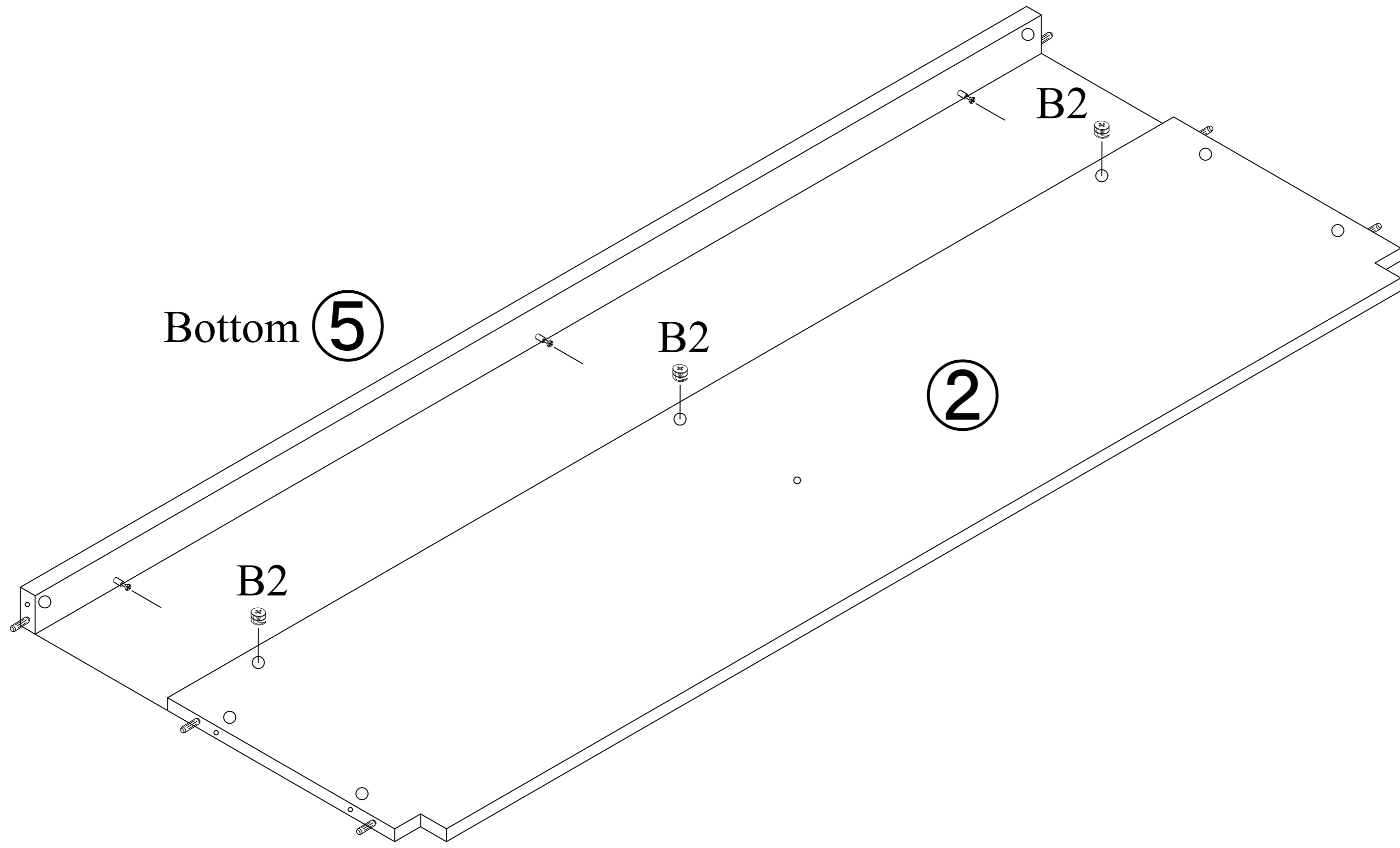


**When Fitting Bolt**  
\*Ensure bolt position not slanted and over-tightened

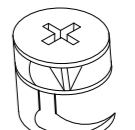


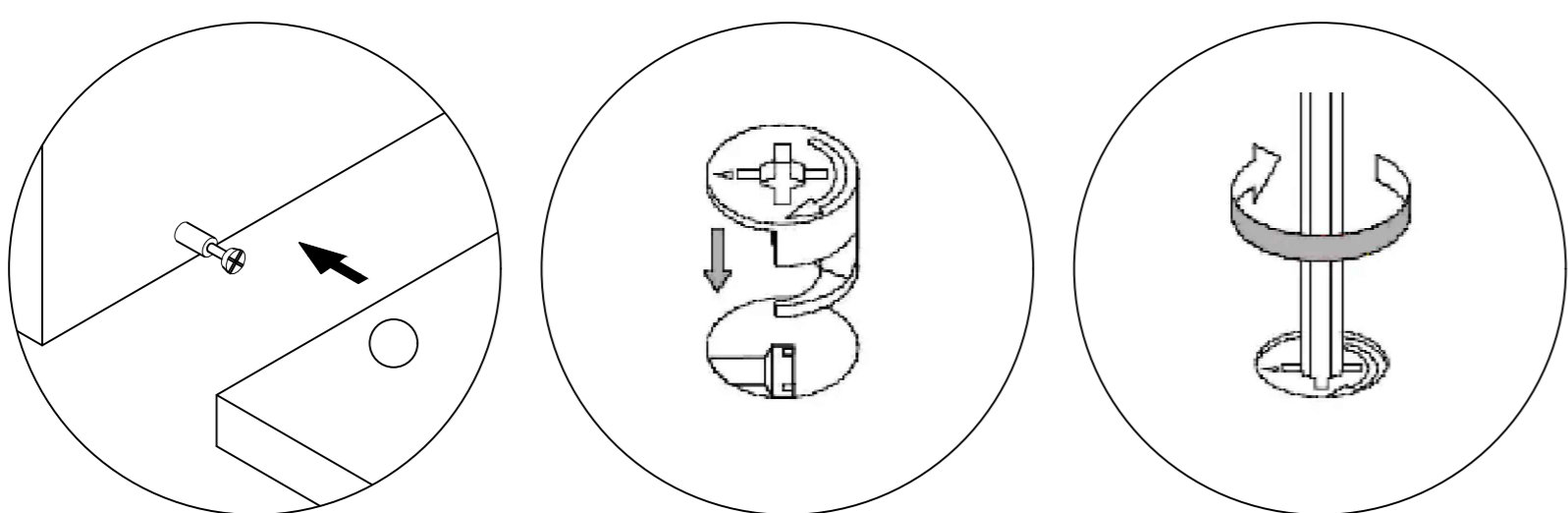
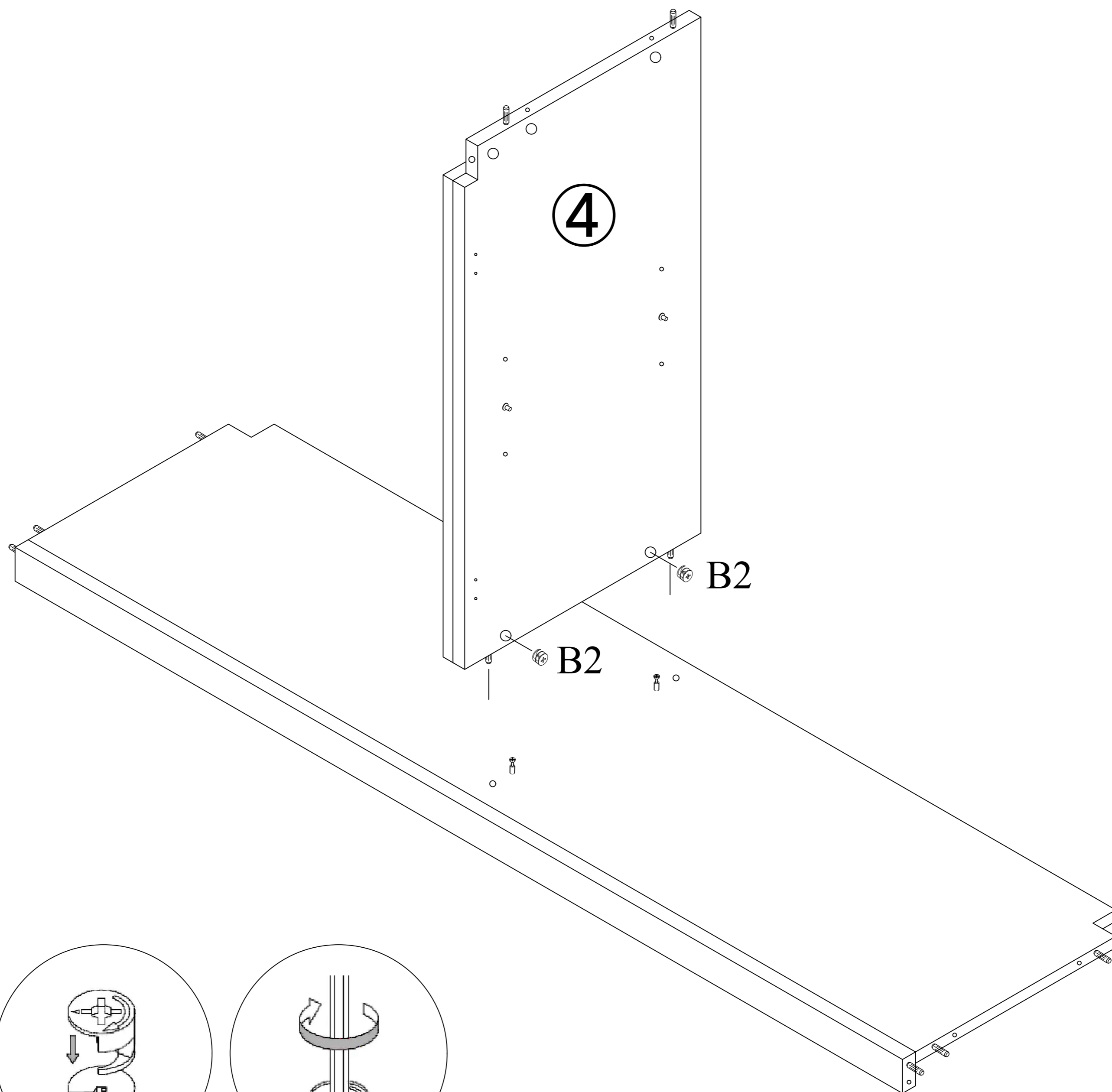
# STEP - 3

  
CAM LOCK  
B2-3pcs

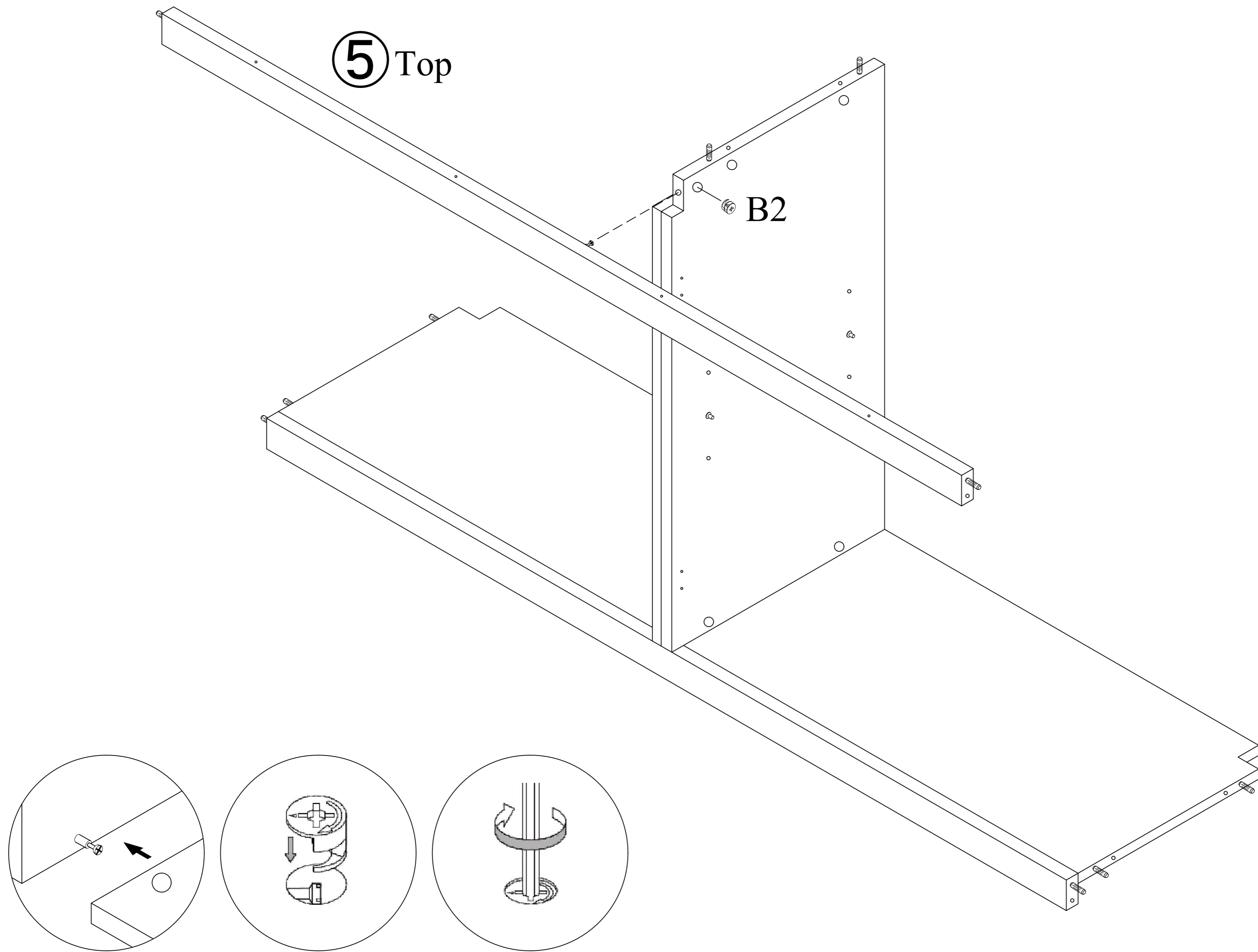
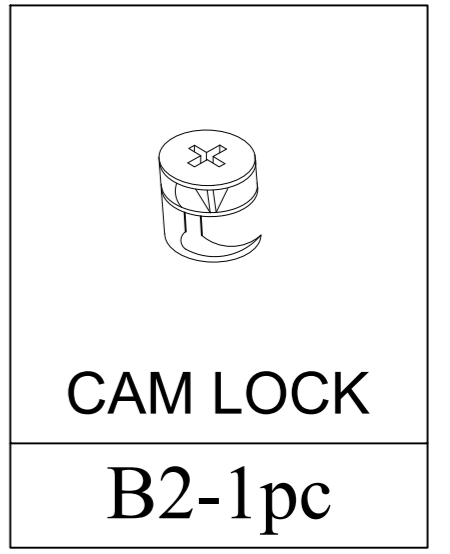


# STEP - 4

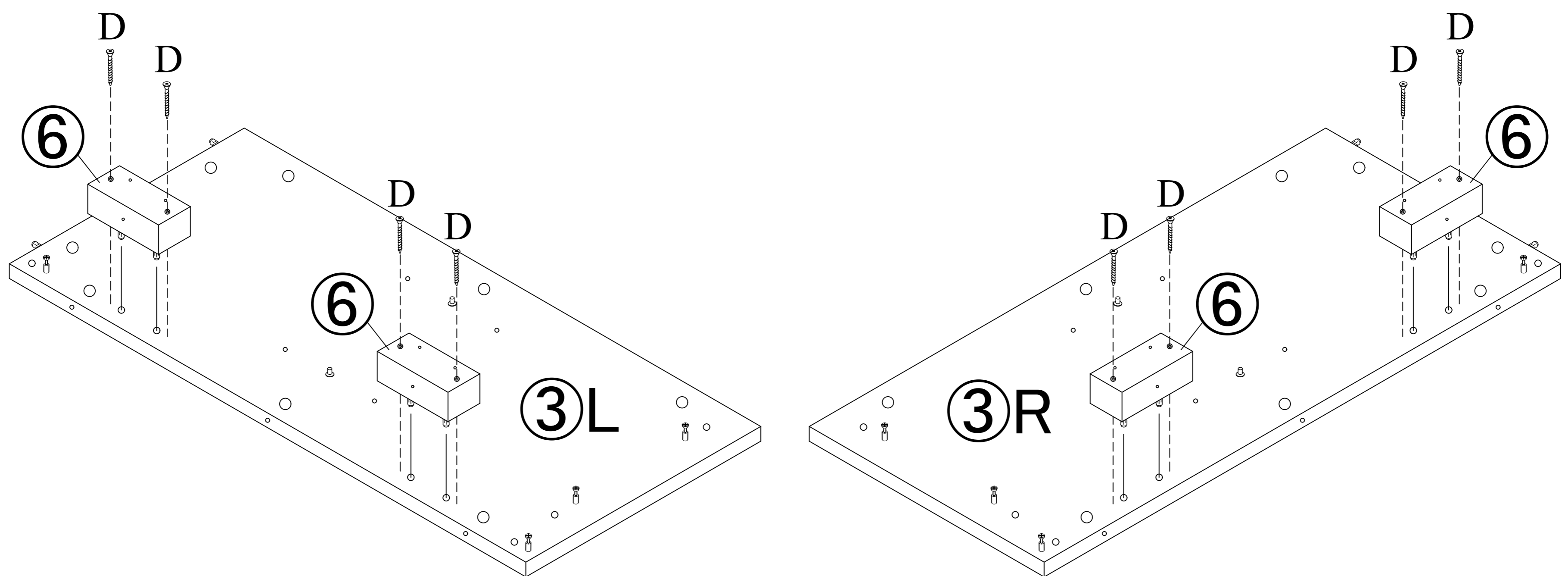
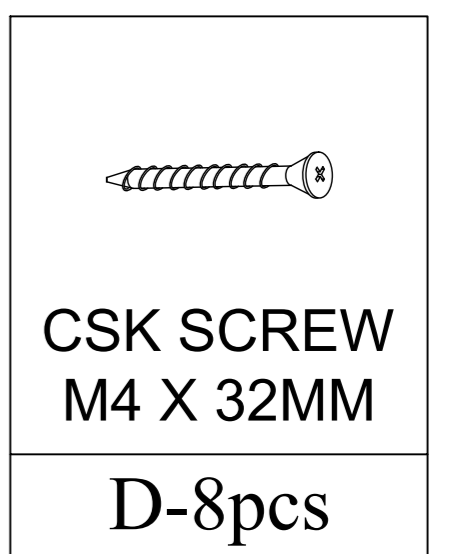
  
CAM LOCK  
B2-2pcs



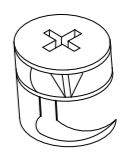
# STEP - 5

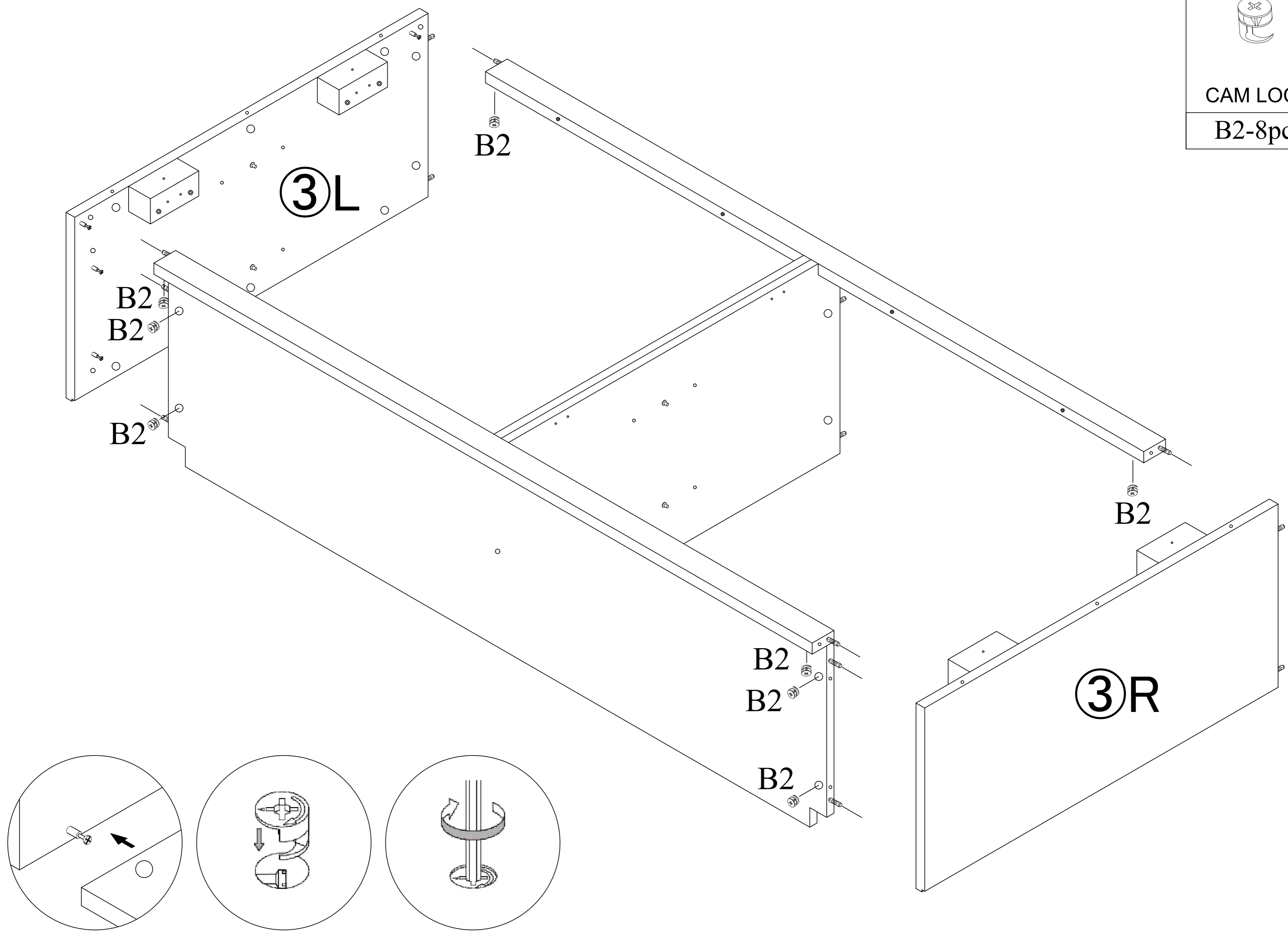


# STEP - 6

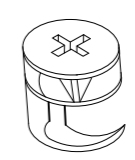



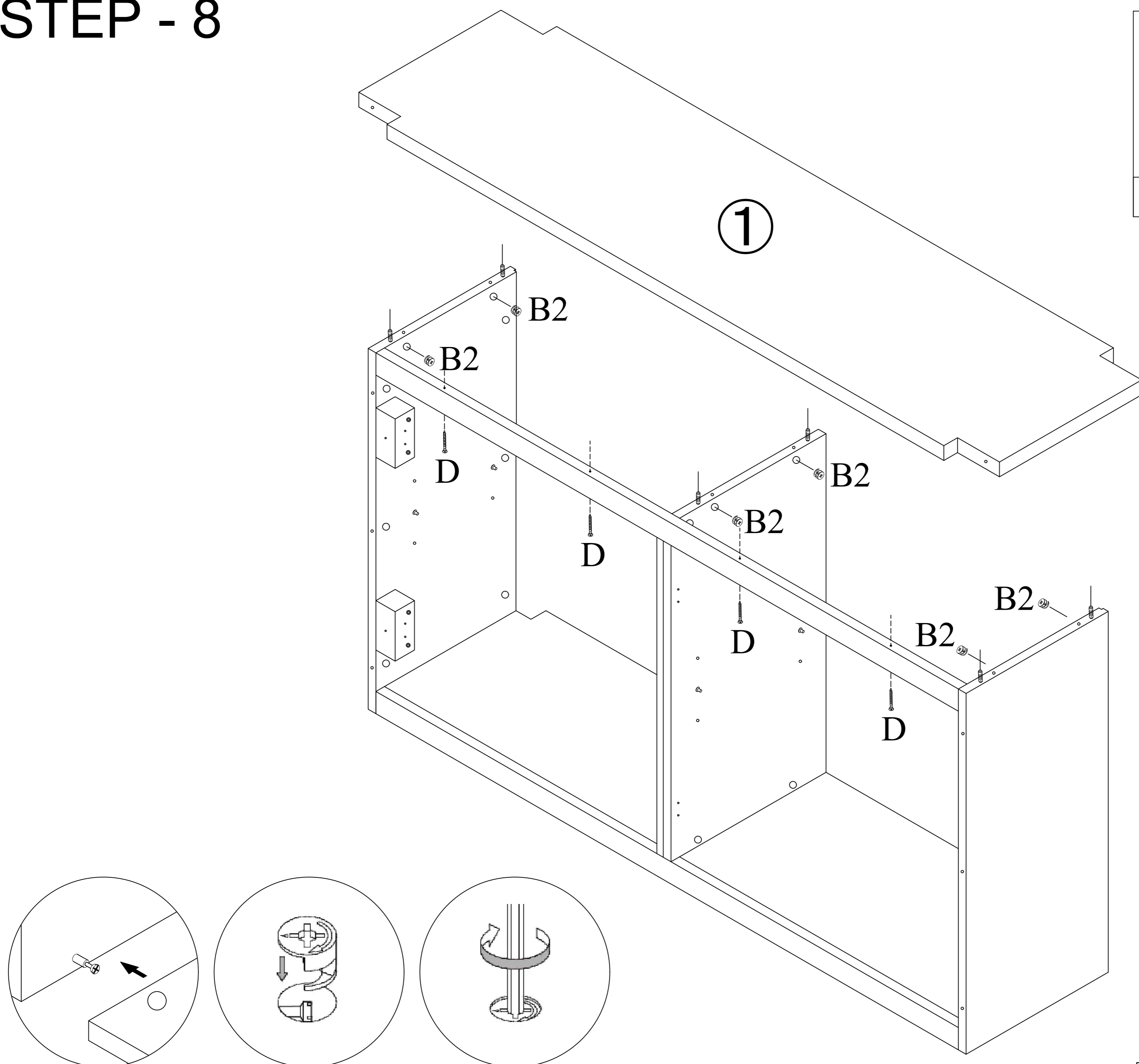
# STEP - 7


CAM LOCK
B2-8pcs

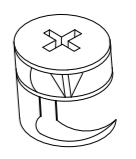


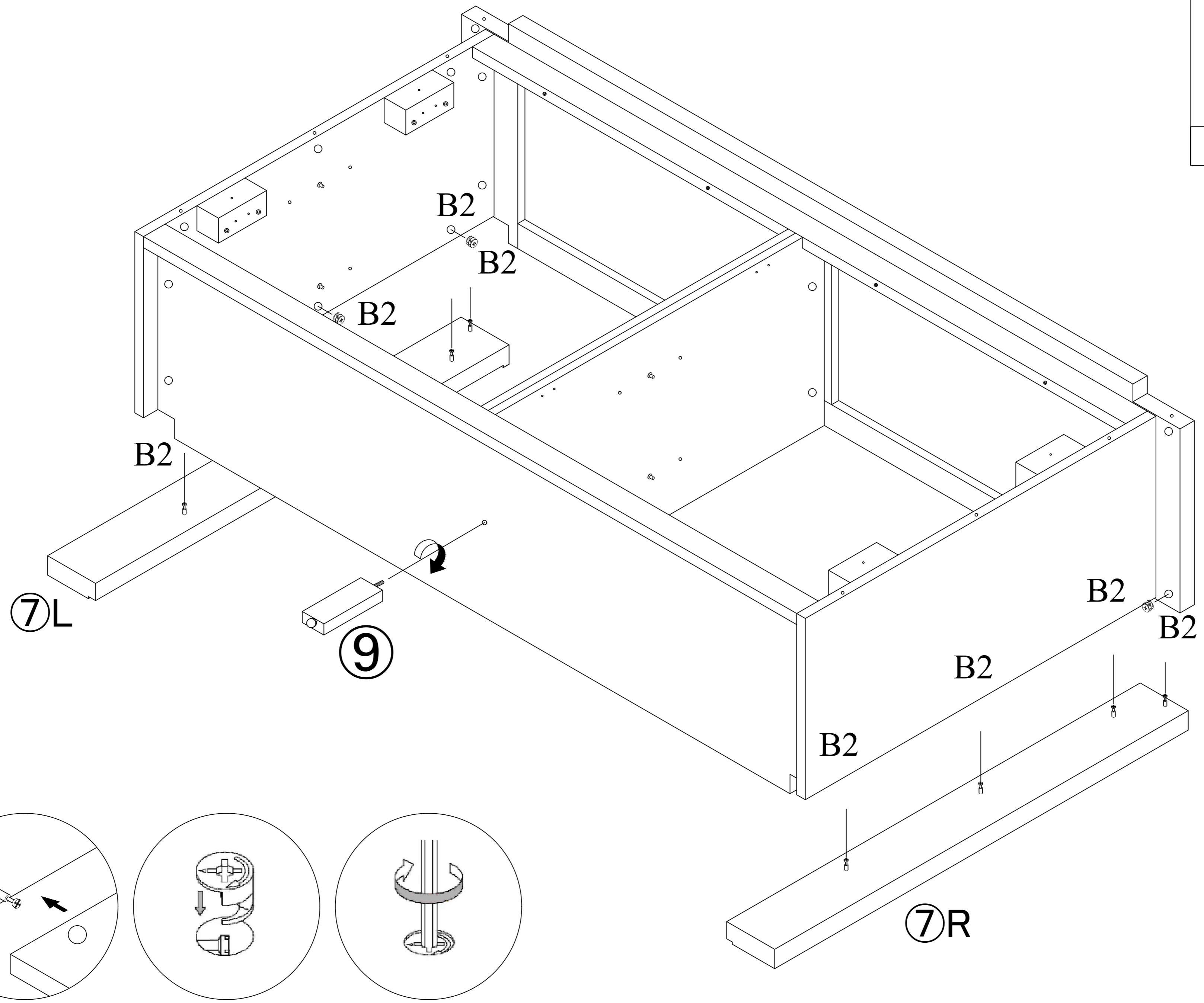
# STEP - 8

	
CAM LOCK	CSK SCREW M4 X 32MM
B2-6pcs	D-4pcs

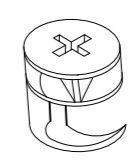



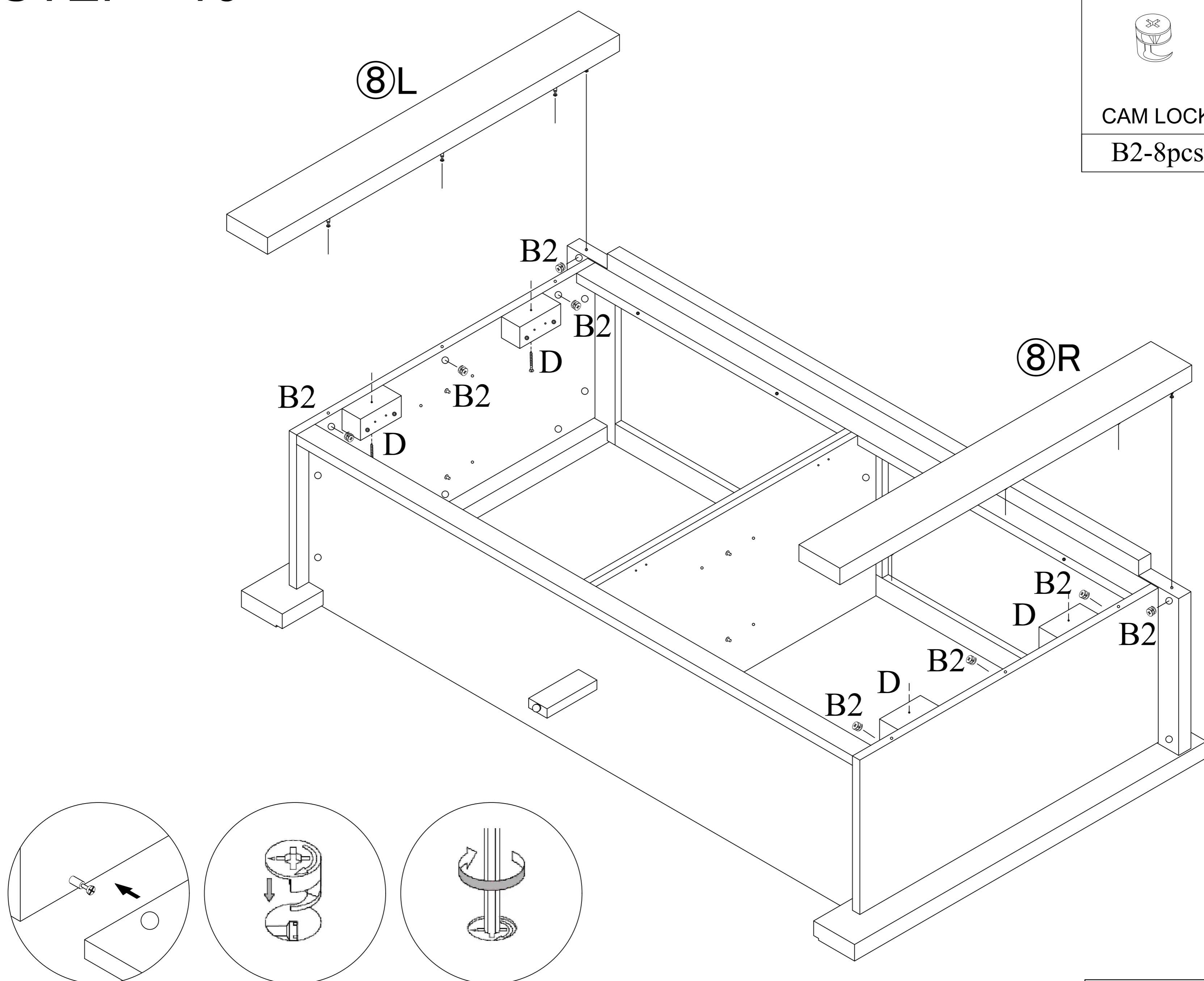
# STEP - 9


CAM LOCK
B2-8pcs

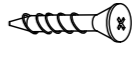



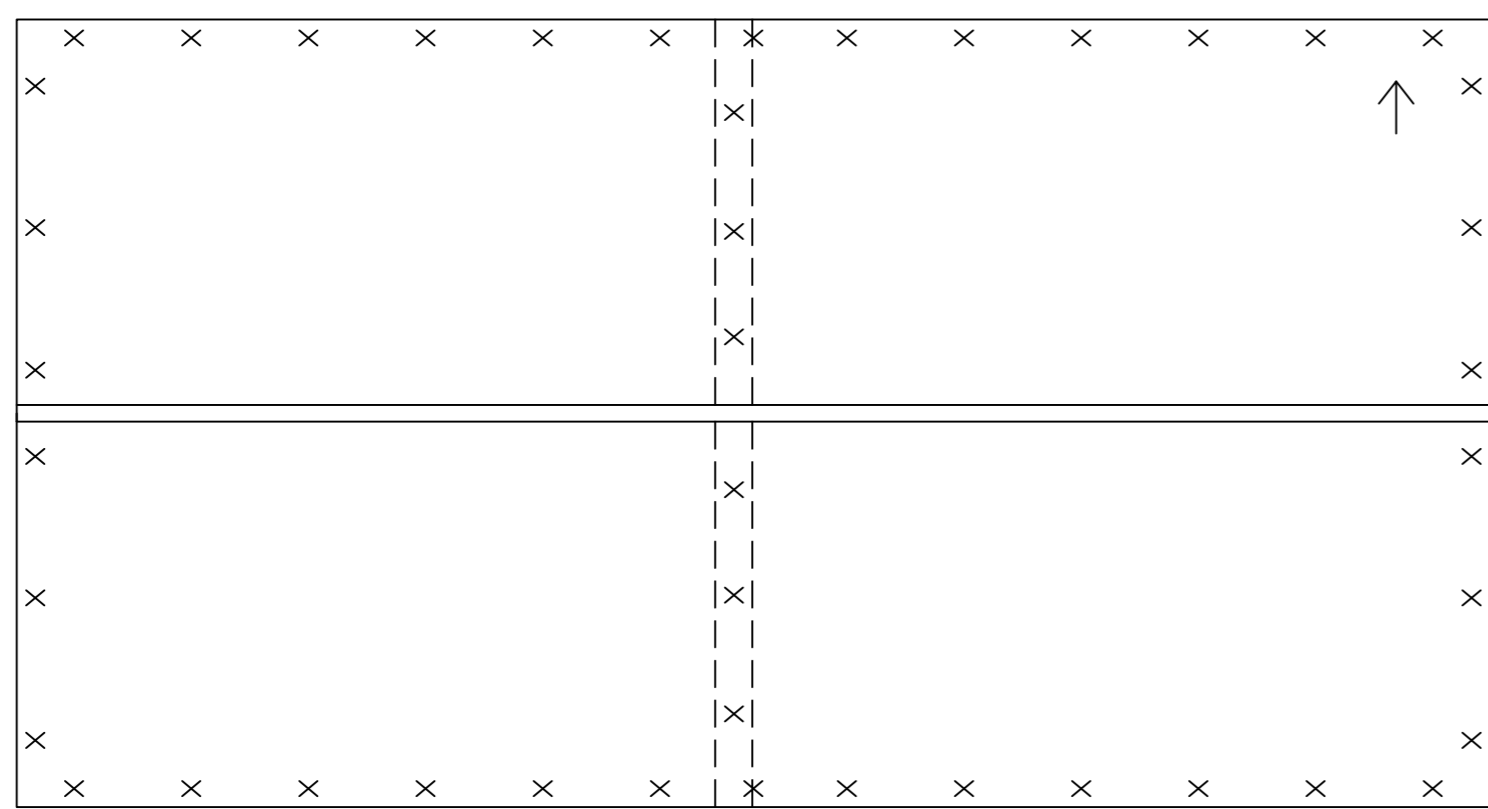
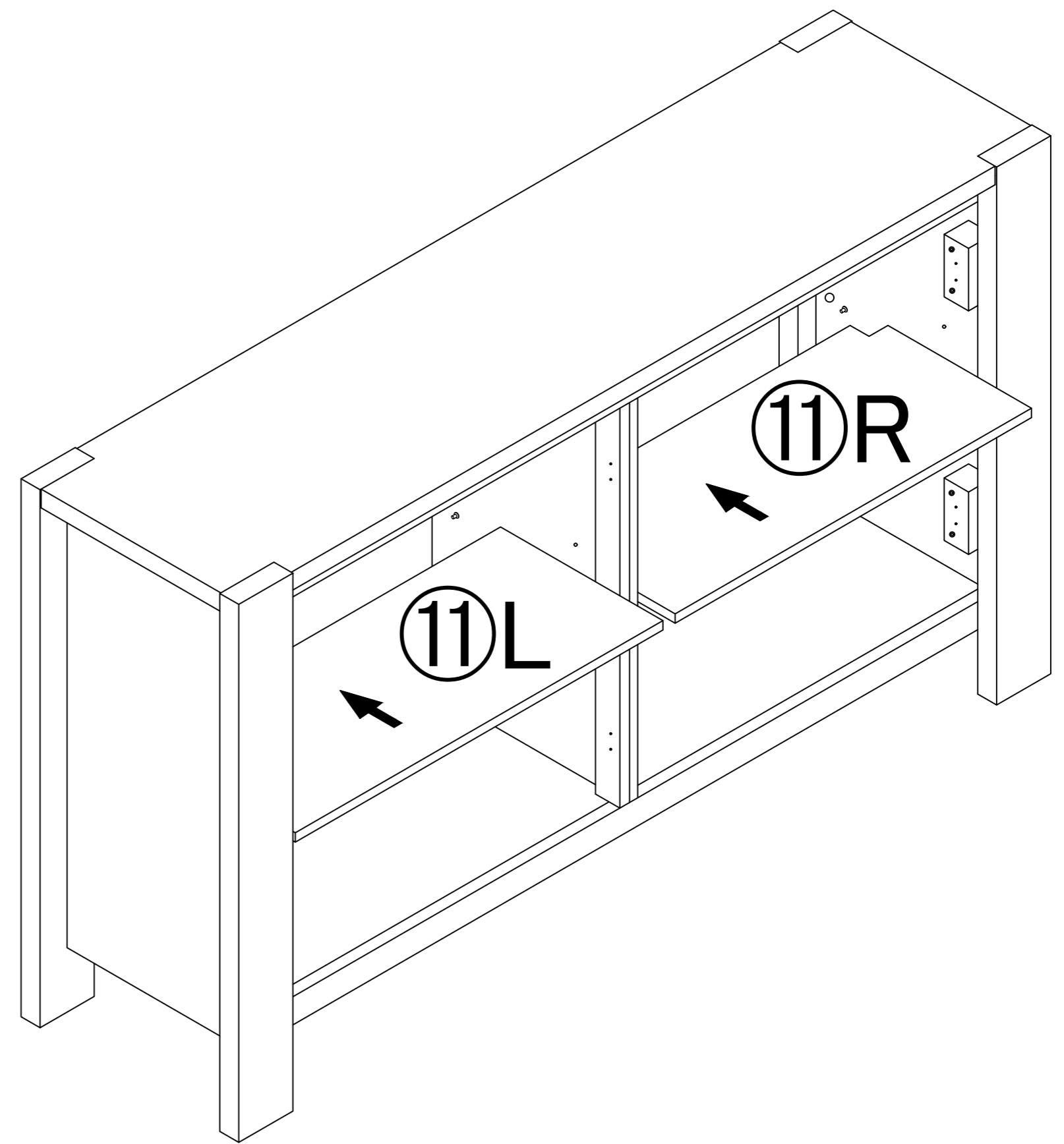
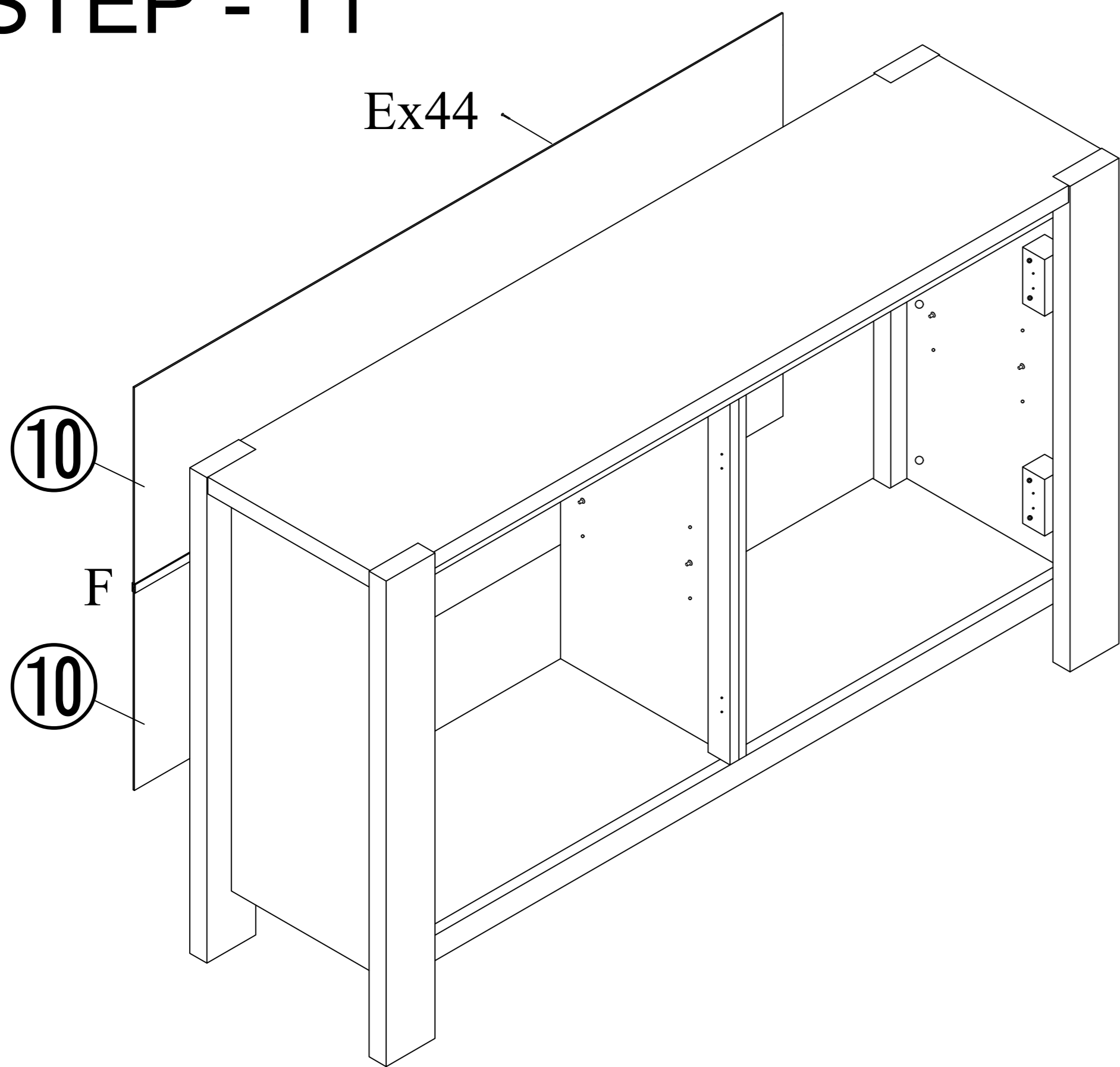
# STEP - 10

	
CAM LOCK	CSK SCREW M4 X 32MM
B2-8pcs	D-4pcs



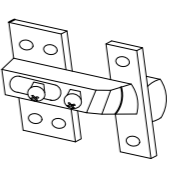
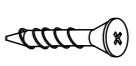
# STEP - 11

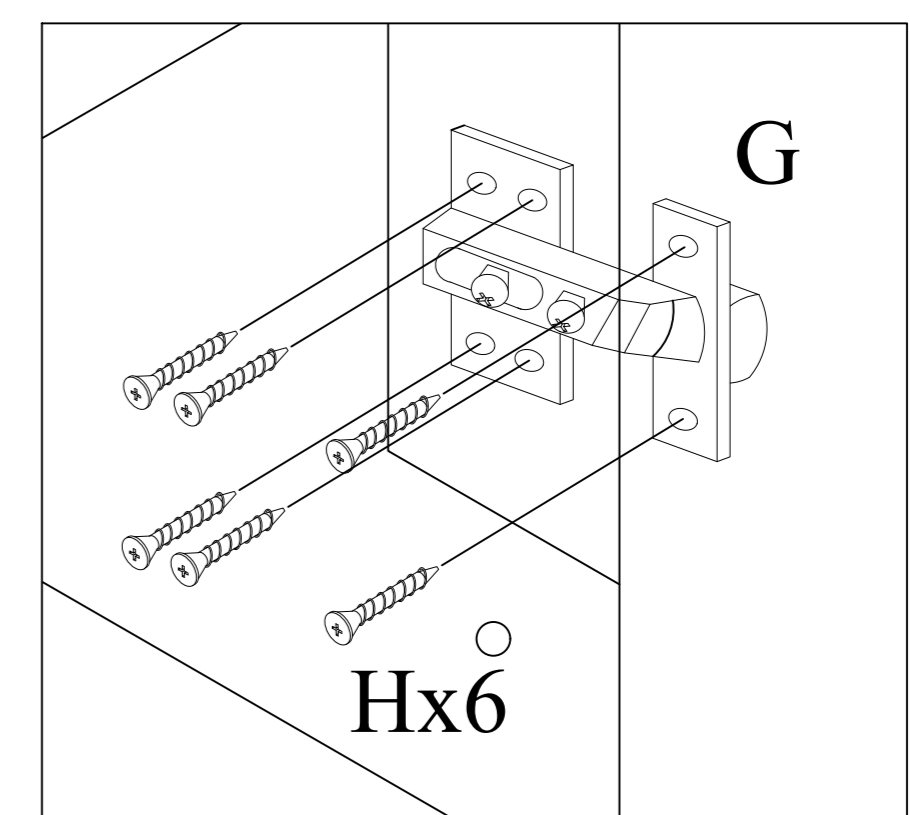
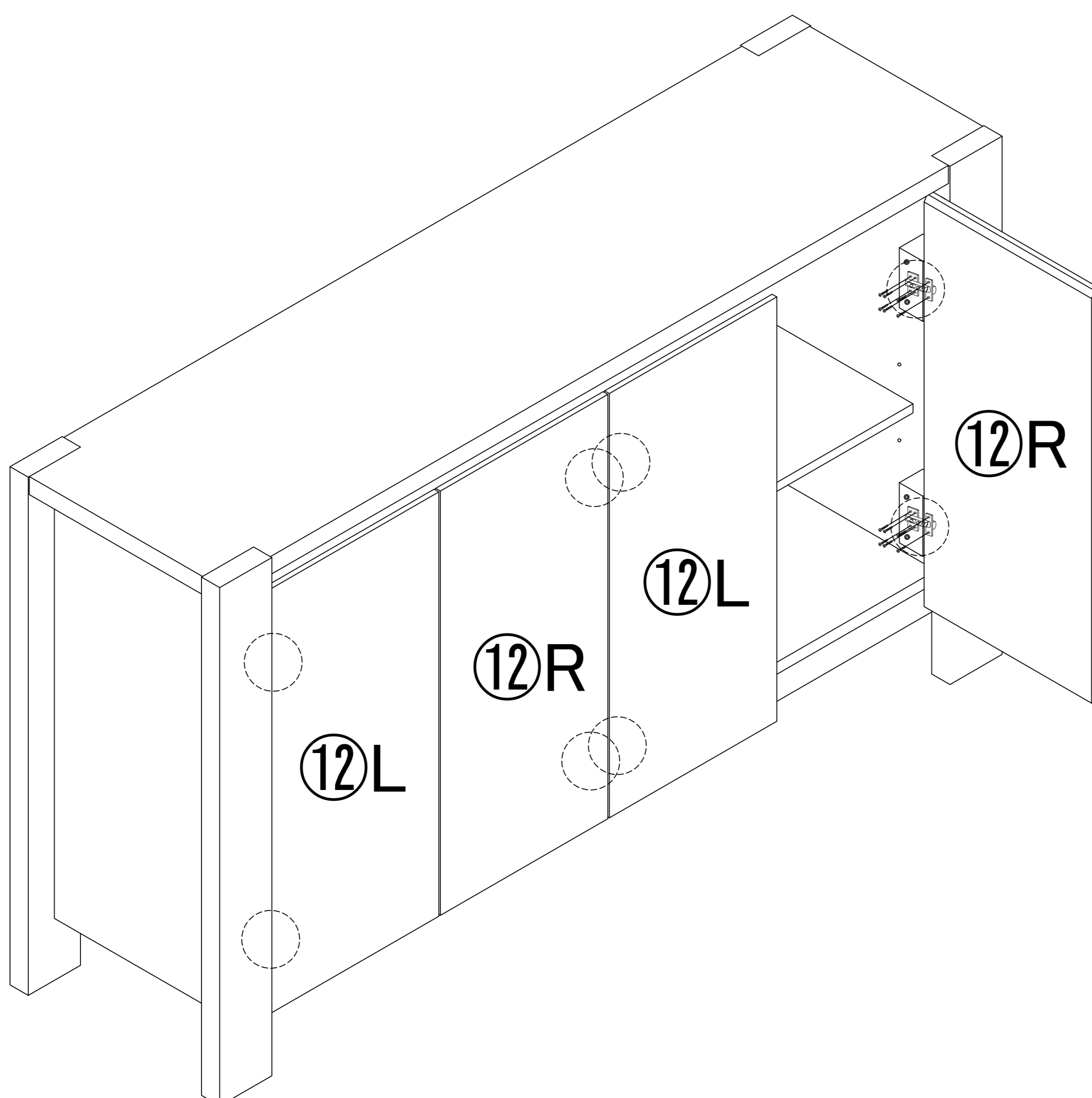
	
CSK SCREW M3 X 12MM	H CONNECTOR 1298MM
E-44pcs	F-1pc



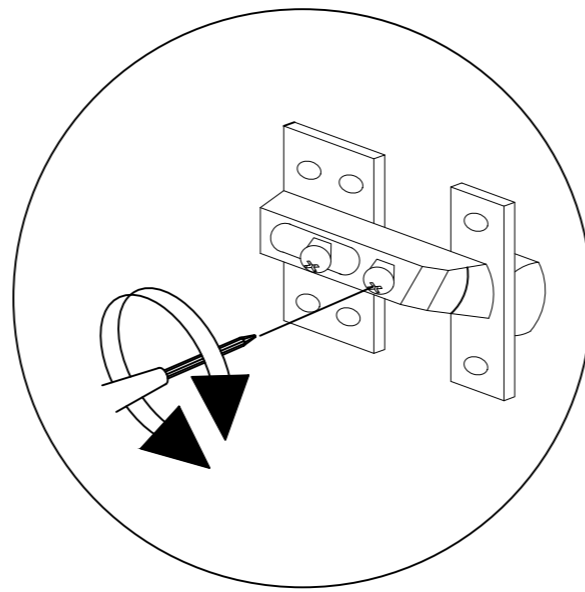
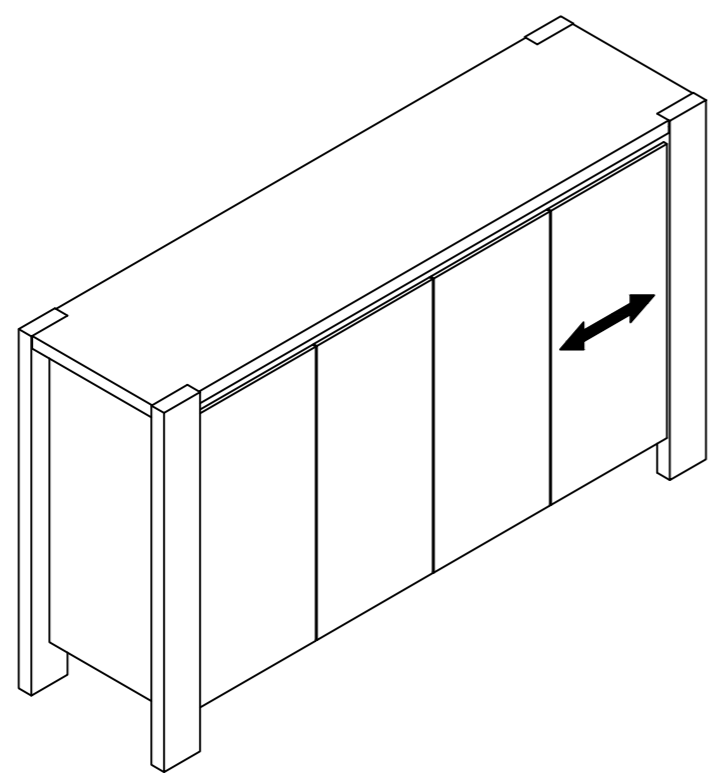
Guidance of screw array

# STEP - 12

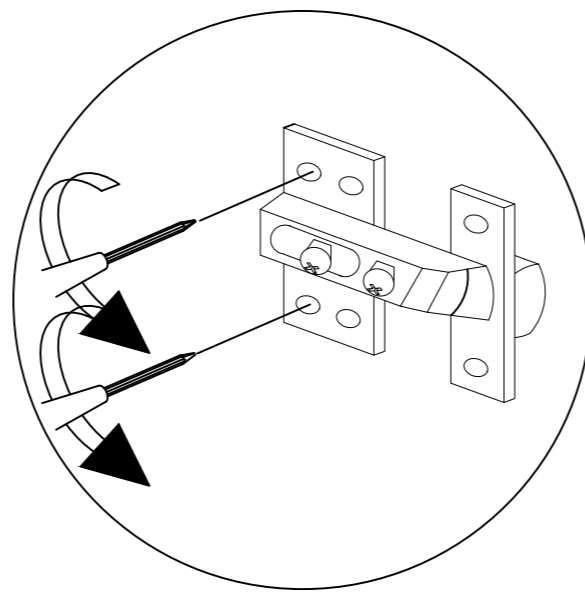
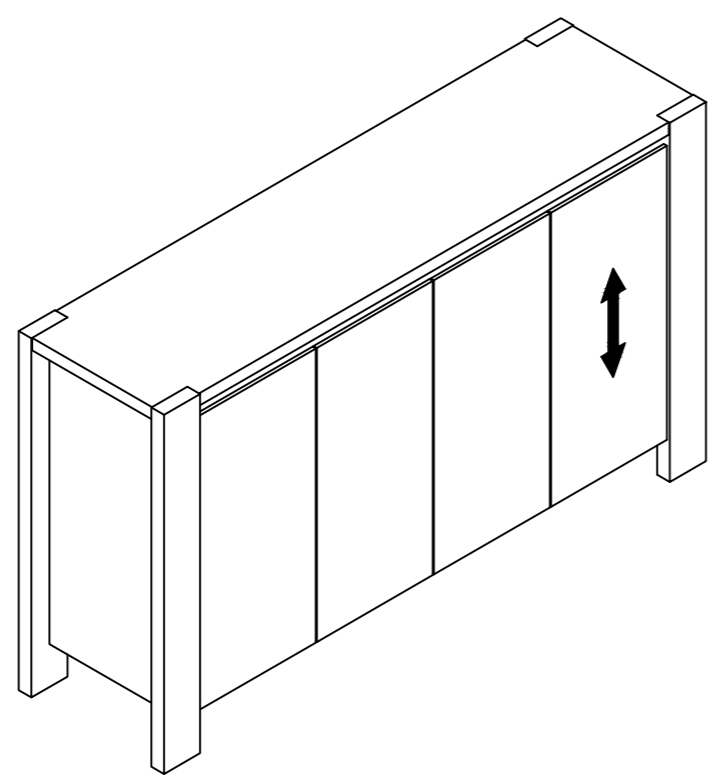
	
SOFT CLOSE HINGES 5/8"	CSK SCREW M3.5 X 16MM
G-8pcs	H-48pcs



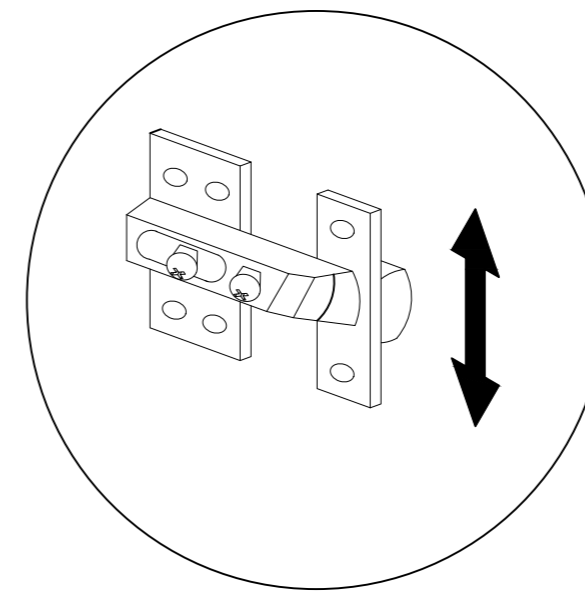
# STEP - 13



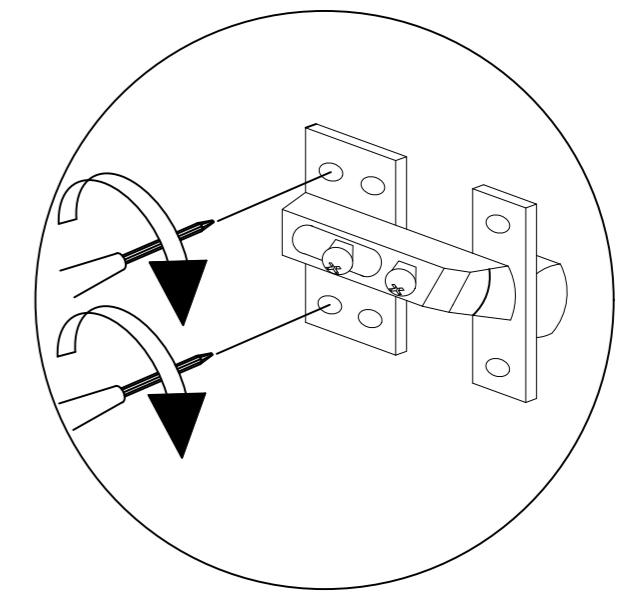
Adjusting the screw by turning the screw clockwise or anti-clockwise



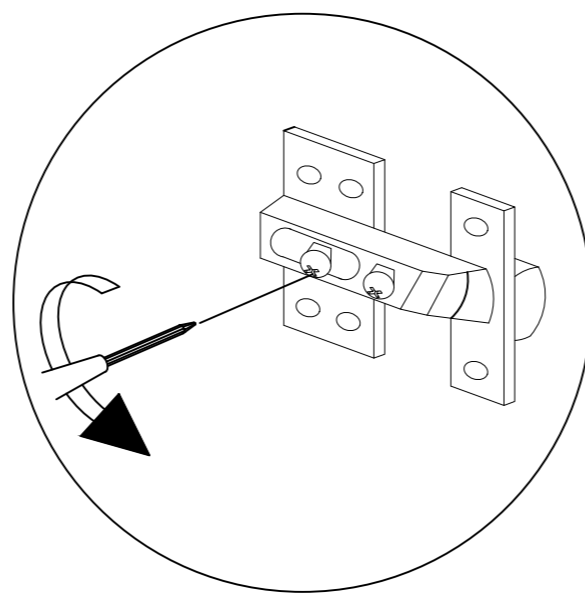
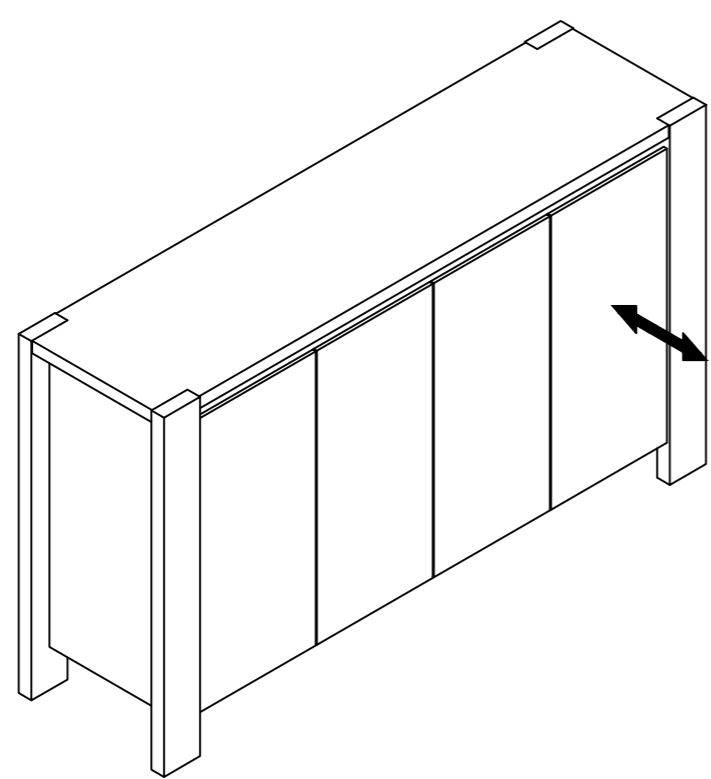
Untighten both screw



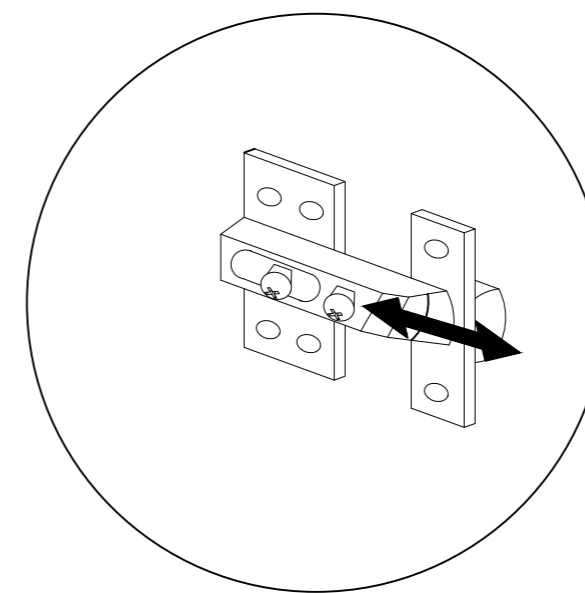
Move door up or down



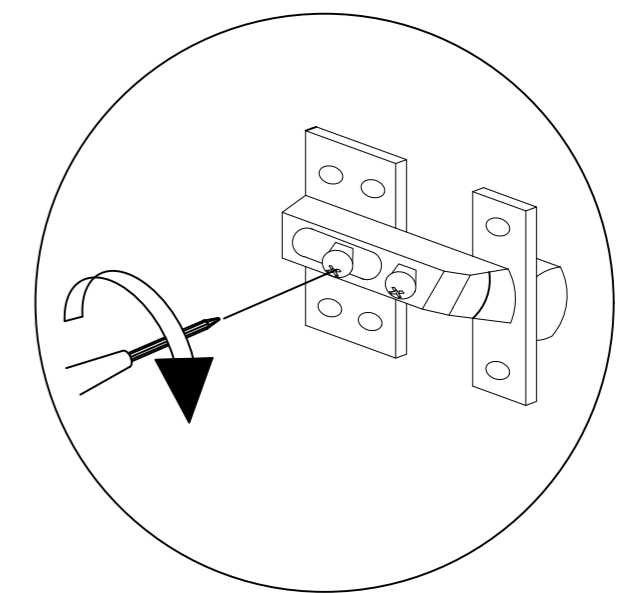
Tighten back both screw



Untighten screw



Move door front or back



Tighten back screw

# STEP - 14

## WARNING

**Serious or fatal injuries can occur from furniture tipping over. To prevent the furniture from tipping over we recommend that it is permanently fixed to the wall.**

Wall fixings are not supplied with this product as different wall materials require different types of fixing devices.

Please make sure you use fixings suitable for the walls in your home.

