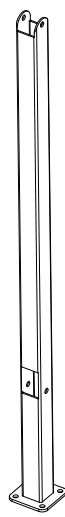

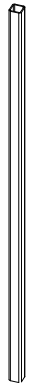

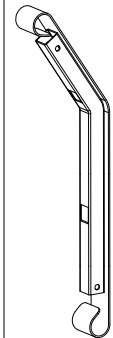

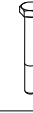


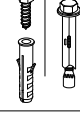
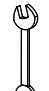
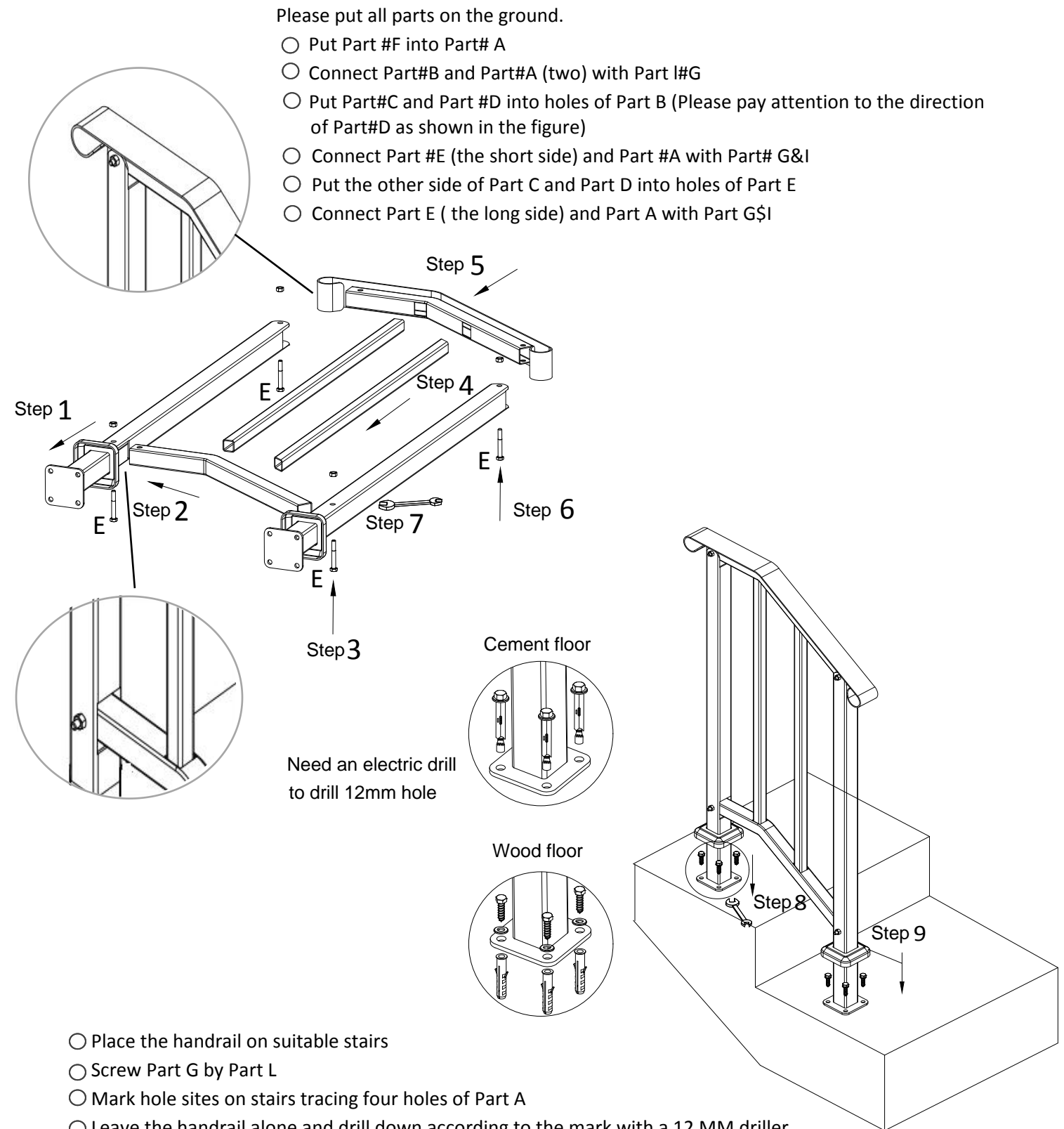


# USER MANUAL

					
A 2pcs	B 1pcs	C 1pcs	D 1pcs	E 1pcs	
					
F 2pcs	G 4pcs	H 4pcs	I 4pcs	J/K 8/8pcs	L 1pcs



- Place the handrail on suitable stairs
- Screw Part G by Part L
- Mark hole sites on stairs tracing four holes of Part A
- Leave the handrail alone and drill down according to the mark with a 12 MM driller
- Leave the handrail alone and drill down according to the mark with a 12 MM driller
- Align the handrail and holes, Knock nails (part K/J) into the ground with hammer (Cement floor and marble floor, please using Part K; Timber floor, please using Part J)

Tips: Avoiding mistakes, when processing the first and second step, we suggest do not connect parts tightly.