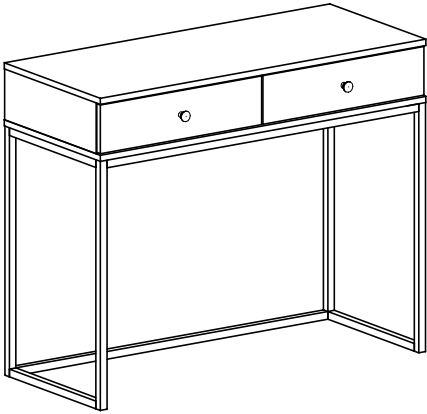
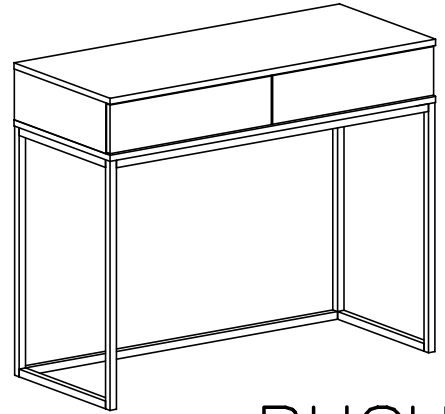


Installation & Assembly

ver.1

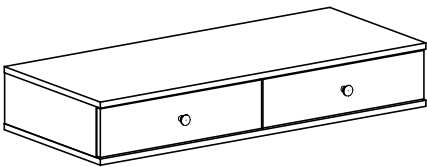


ver.2

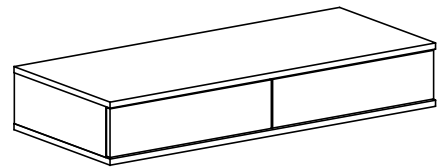


PUSH

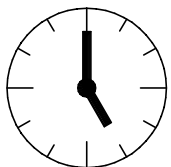
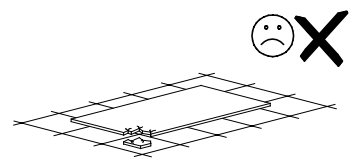
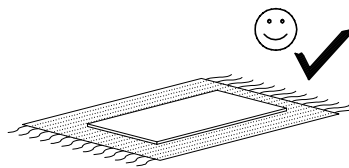
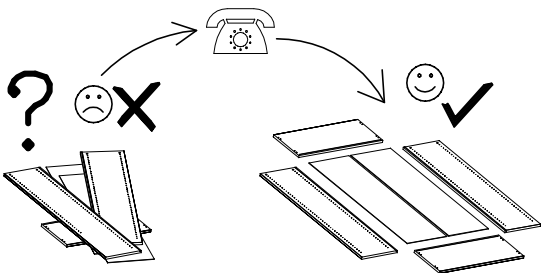
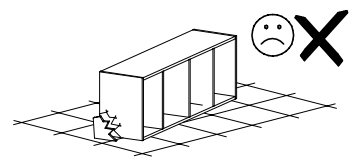
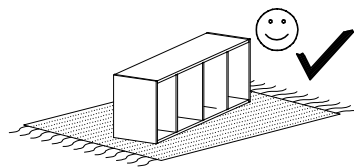
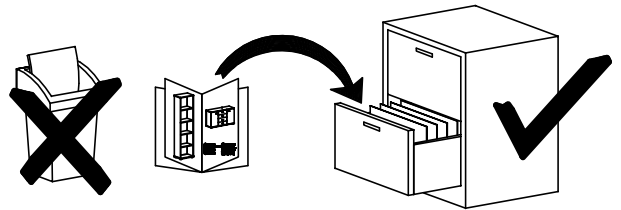
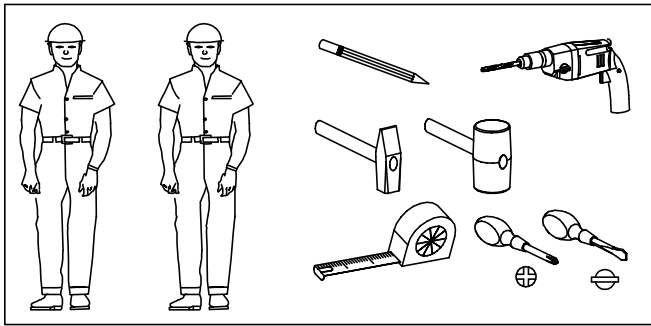
ver.3



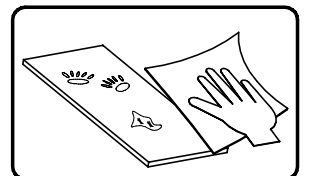
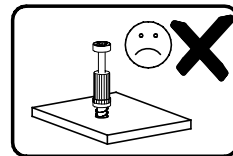
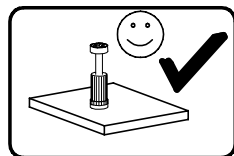
ver.4



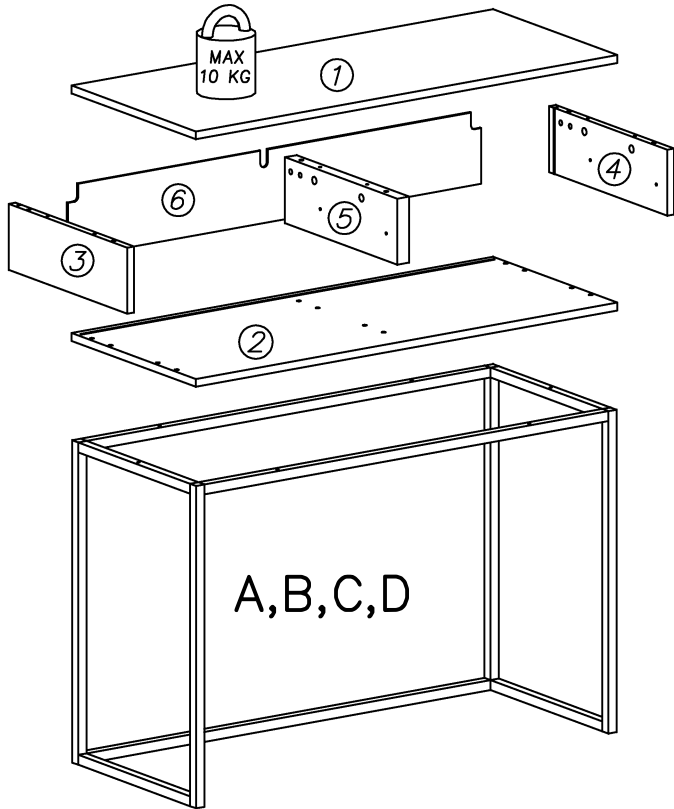
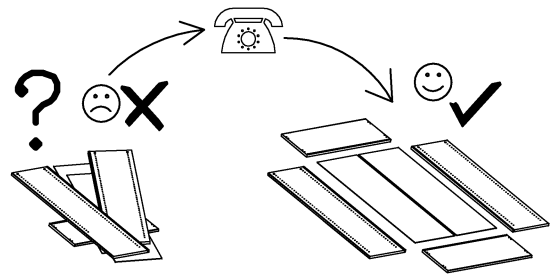
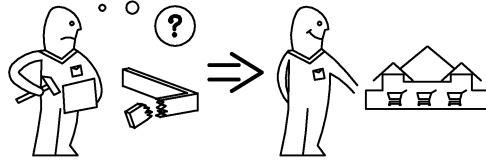
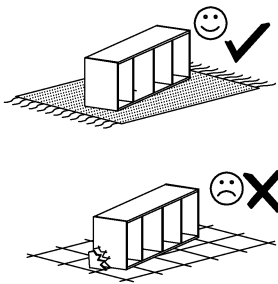
PUSH



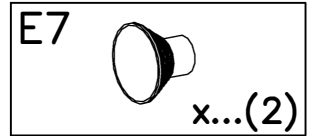
1,5h



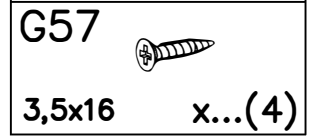
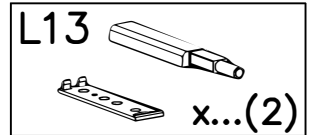
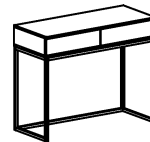
Table



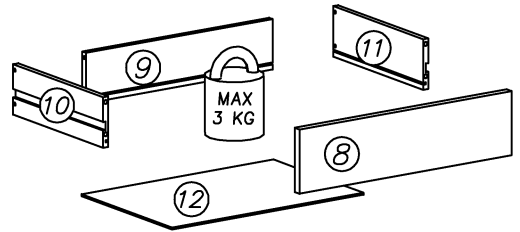
ver.1,3



ver.2,4

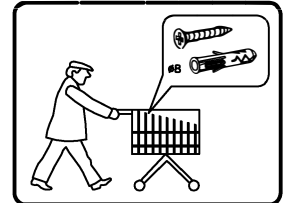
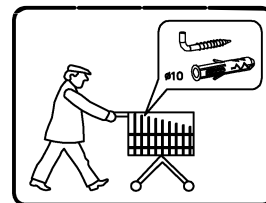





PUSH


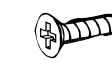






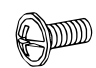
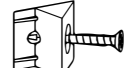

nr	L[mm]	B[mm]	T[mm]	Menge	Coll
1	1002	422	16	1	1/1
2	1002	422	16	1	1/1
3	133	400	16	1	1/1
4	133	400	16	1	1/1
5	133	380	28	1	1/1
6	145	980	2,5	1	1/1

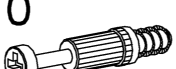

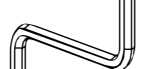


nr	L[mm]	B[mm]	T[mm]	Menge	Coll
8	494	126	16	2	1/1
9	437	100	12	2	1/1
10	300	100	12	2	1/1
11	300	100	12	2	1/1
12	447	301	2,5	2	1/1



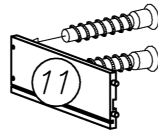
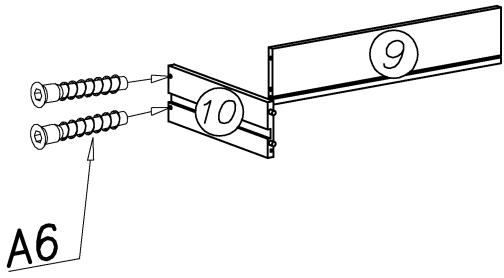
U9L  x...(1)	F4  x...(1)	G34  3,5x16 x...(1)
---	--	--

U9R  x...(2)	G34  3,5x16 x...(2)	H3  280mm x...(4)	G50  6x13 x...(8)
---	--	---	--

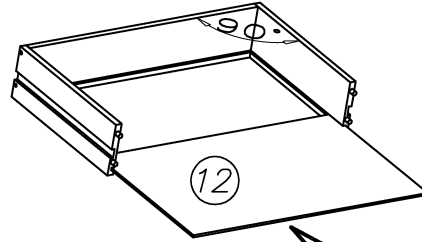
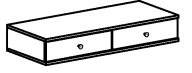
K1  Ø15x12 x...(6)	G8  4x30 x...(8)	N1  M4x9 x...(4)	I1  x...(4)	W1  GLUE, LEIM, LEPIDLO, LIM x...(1)
---	---	---	--	---

K10  x...(6)	B1  Ø8x35 x...(20)	W2  x...(1)	A6  Ø7x40 x...(8)	A1  Ø7x50 x...(6)
---	---	--	--	--

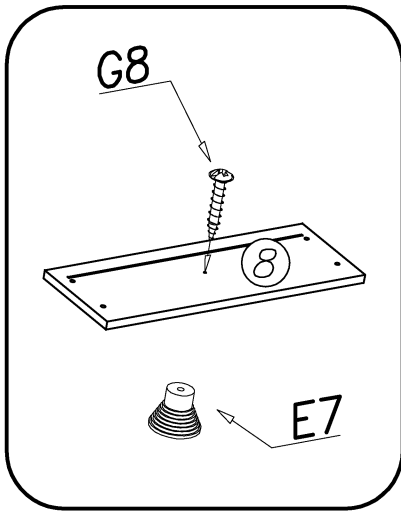
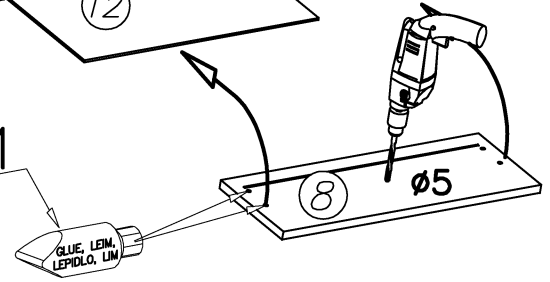
I



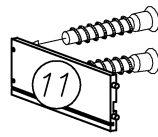
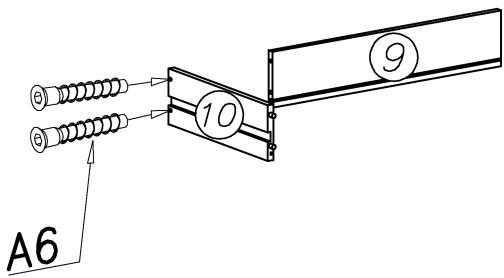
ver 1,3



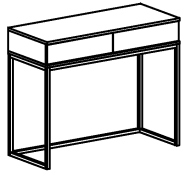
W1



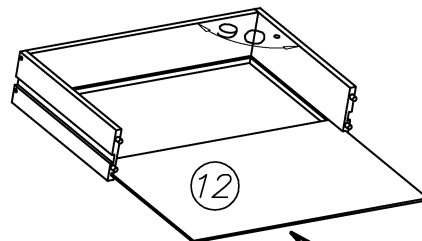
II



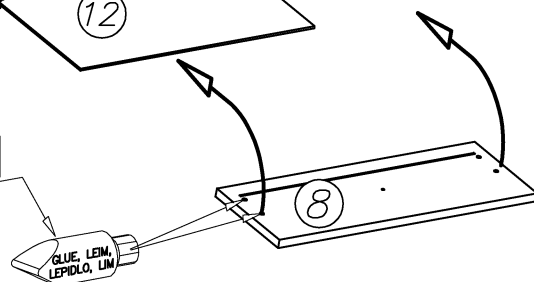
ver 2,4



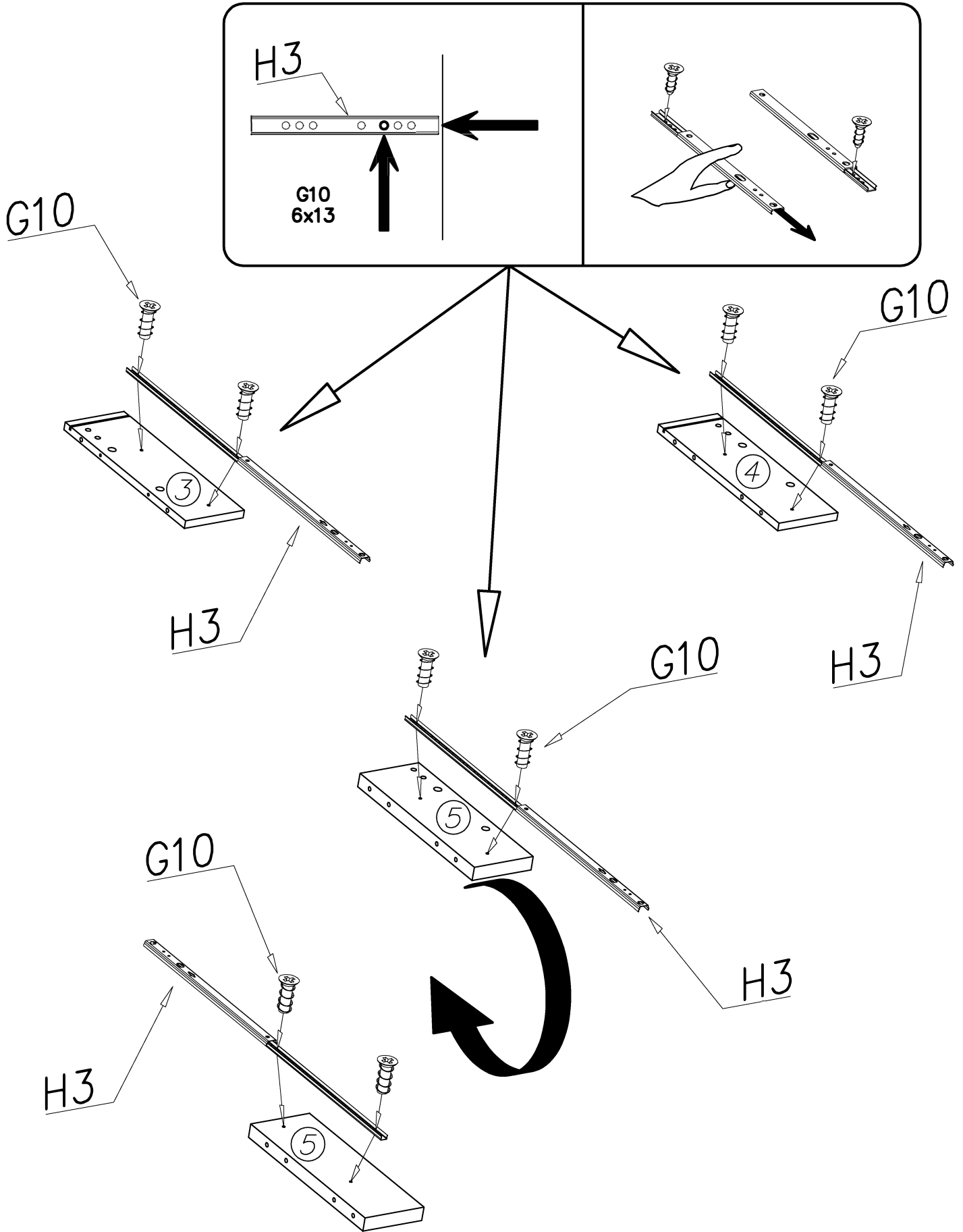
PUSH



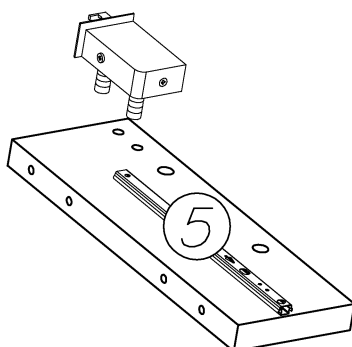
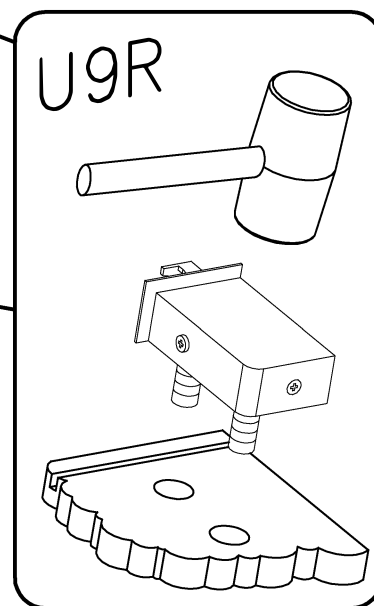
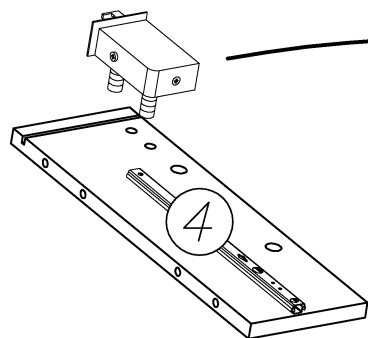
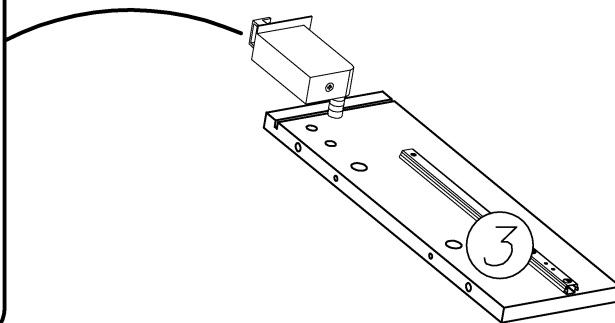
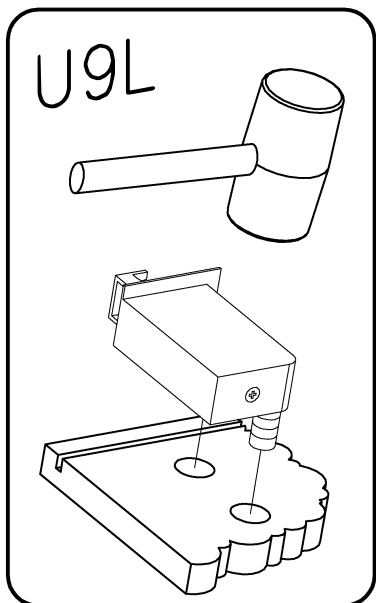
W1



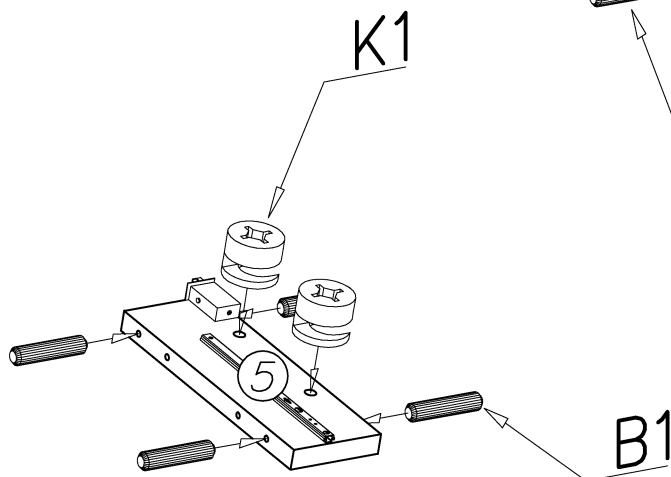
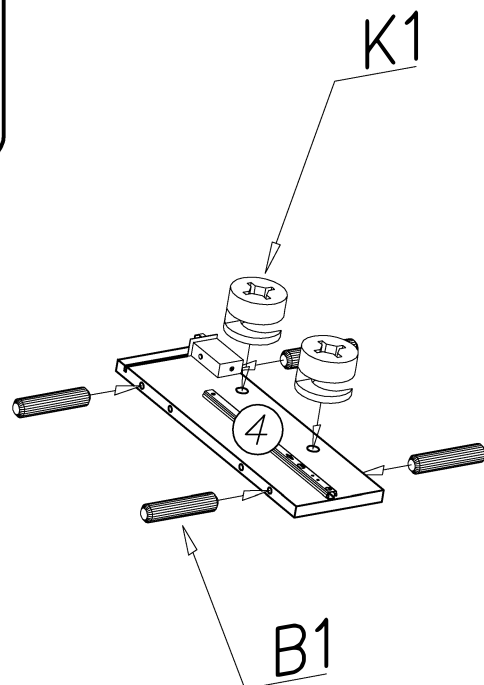
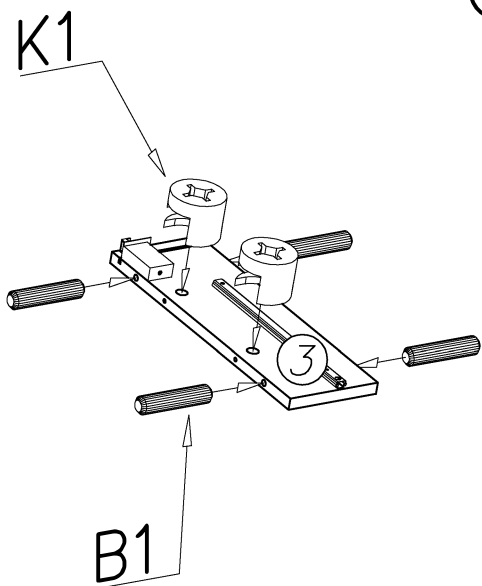
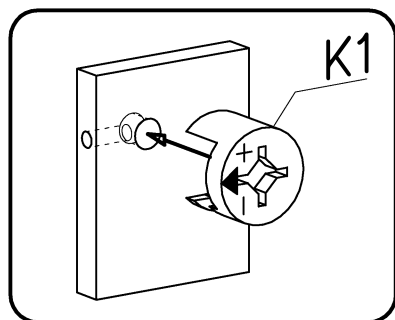
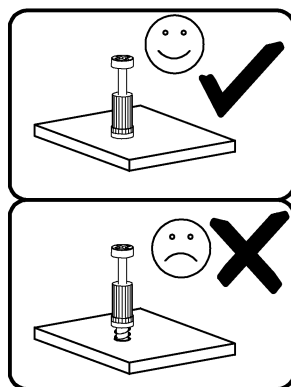
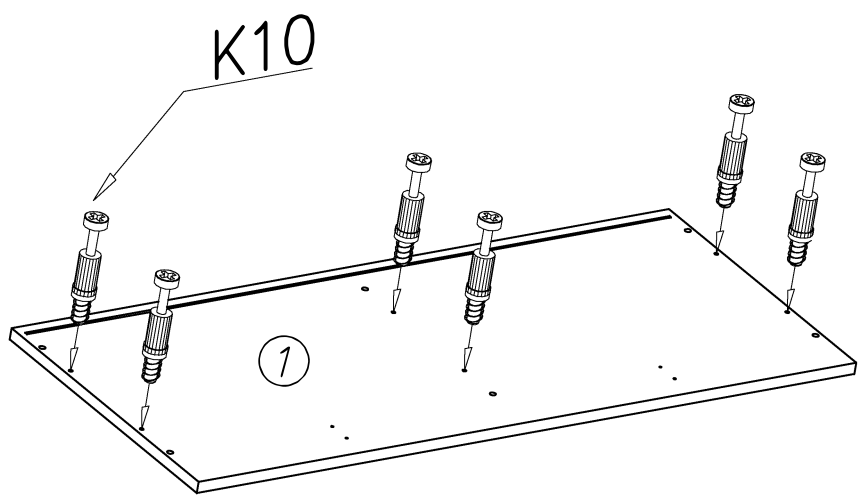
III



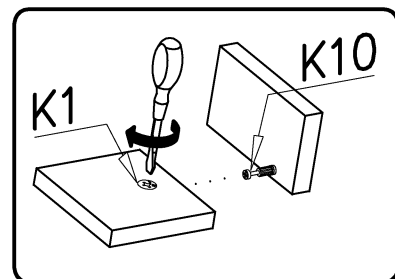
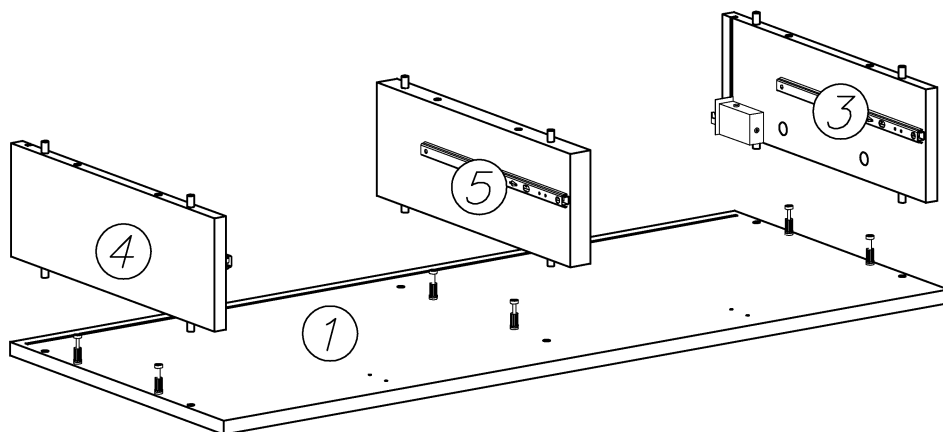
IV



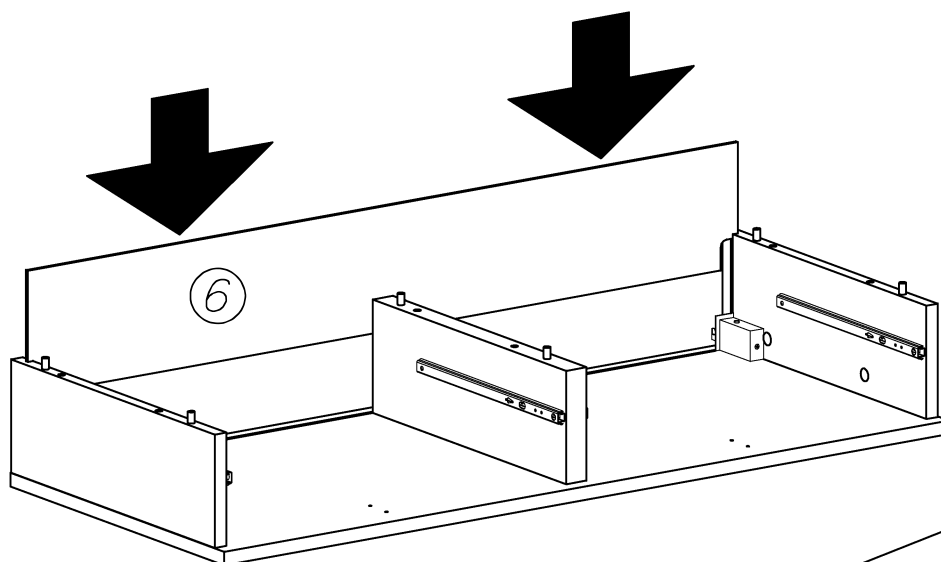
V



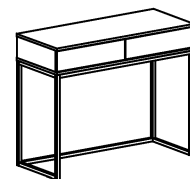
VI



VII

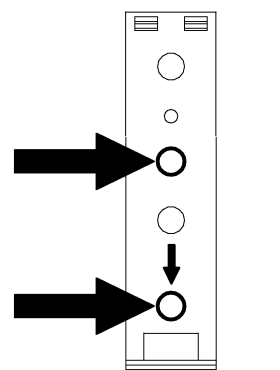
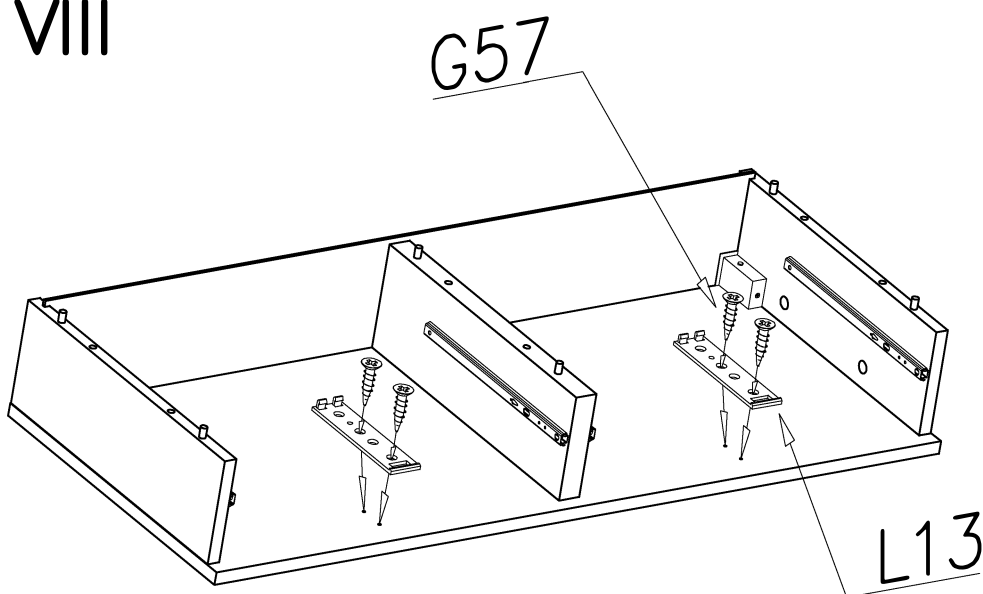


ver 2,4



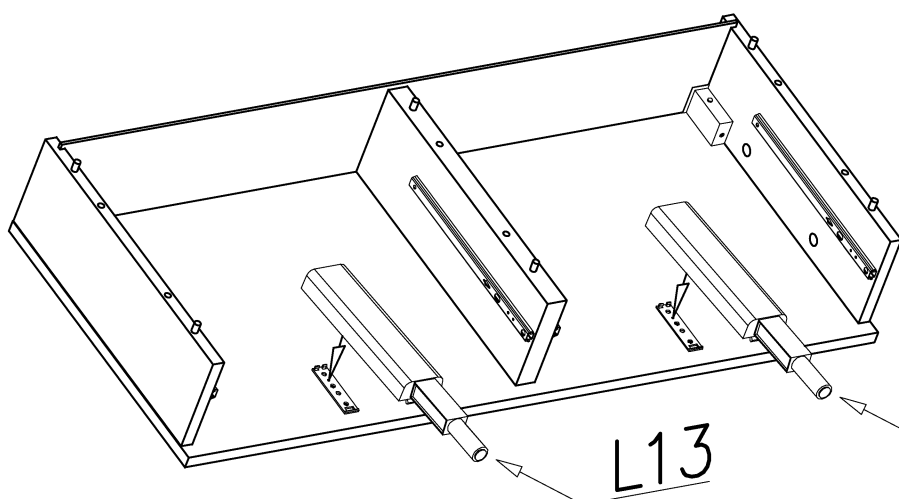
PUSH

VIII



front

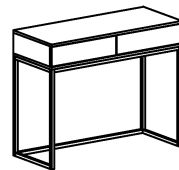
IX



ver 2,4

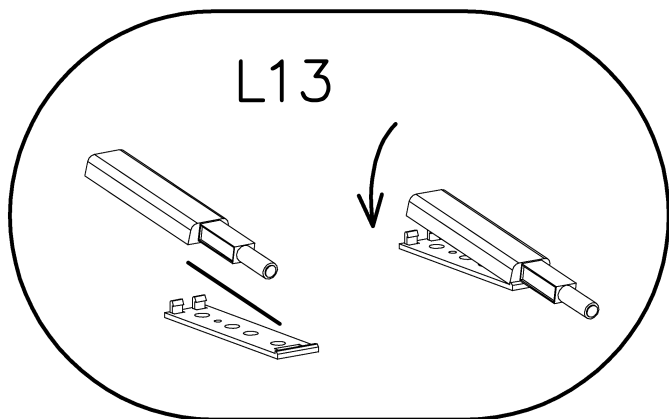


PUSH

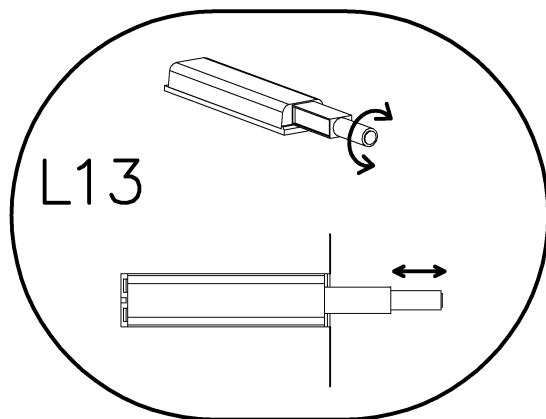


L13

L13

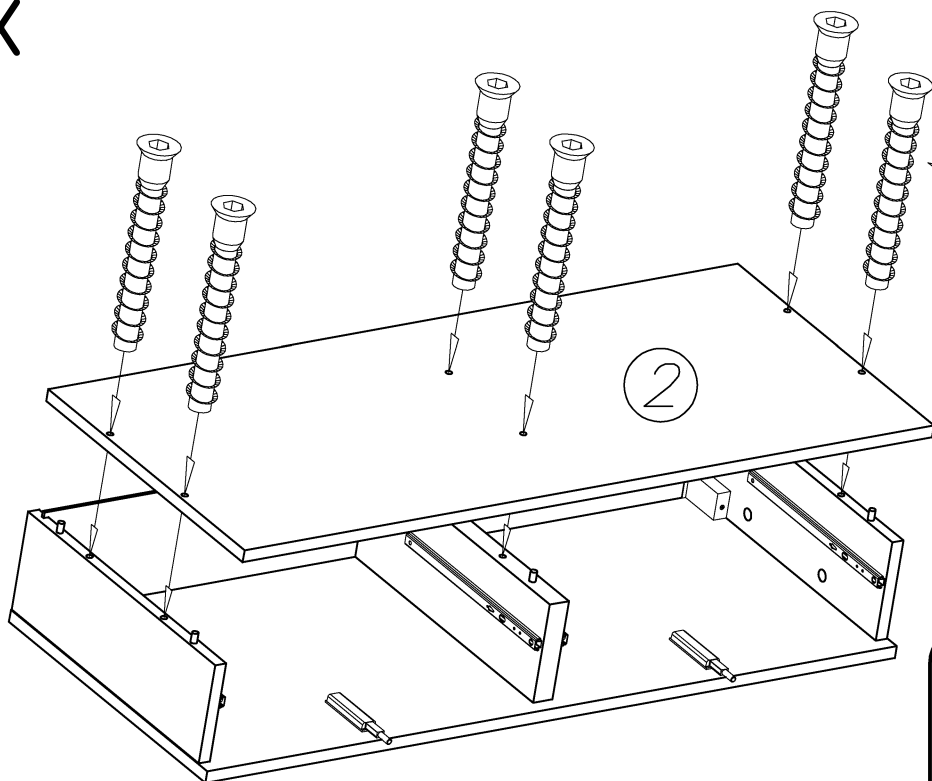


L13



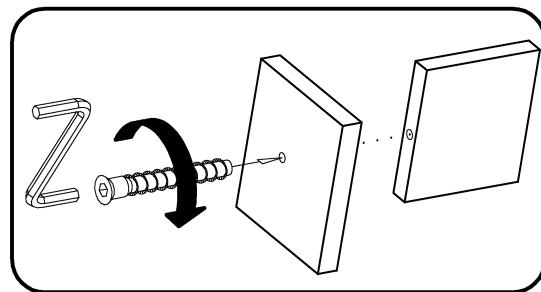
L13

X

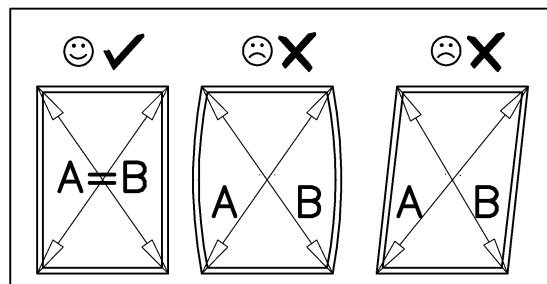


A1

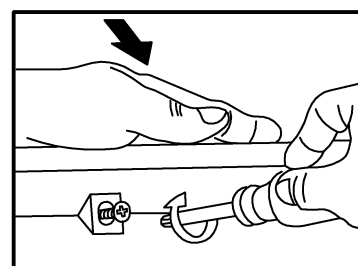
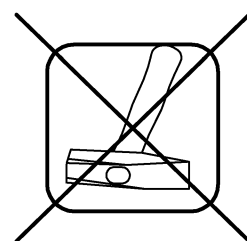
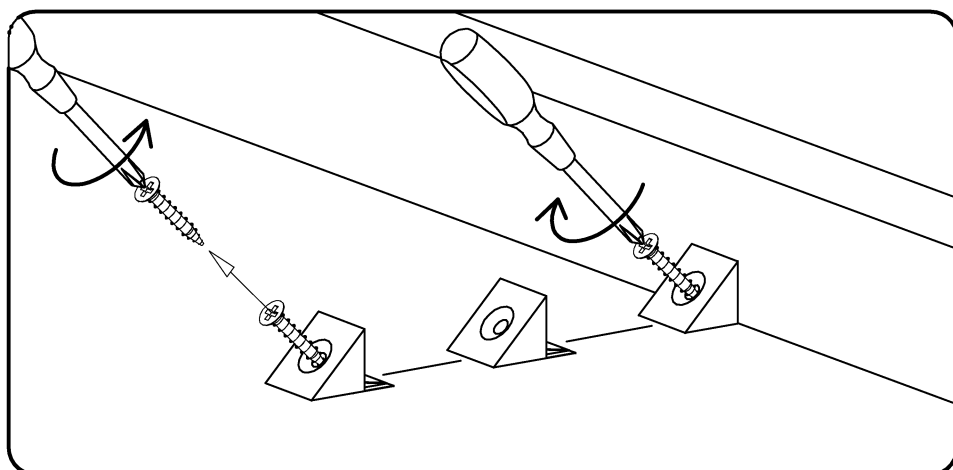
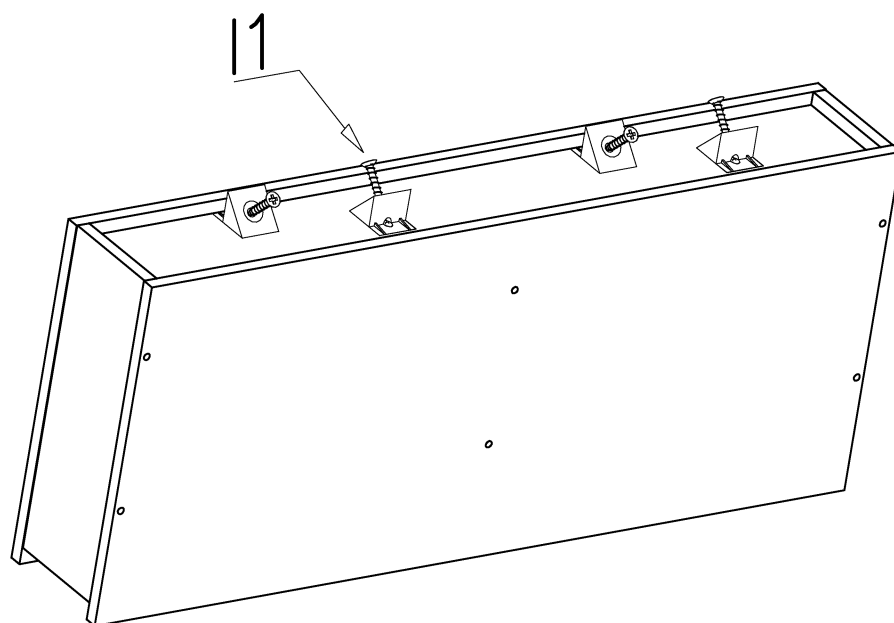
2



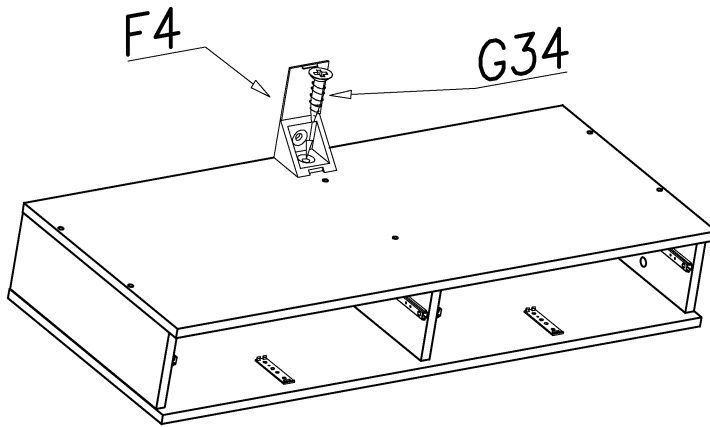
XI



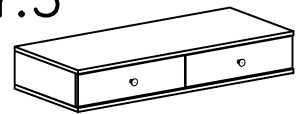
A=B



XII



ver.3



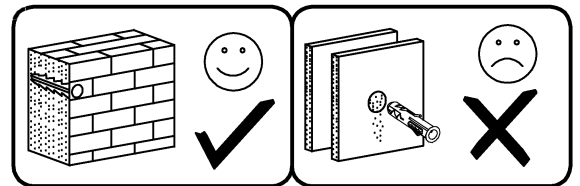
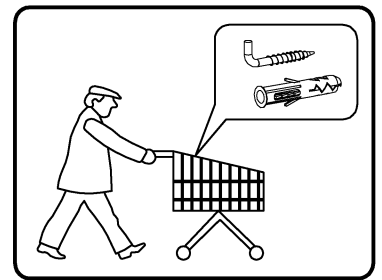
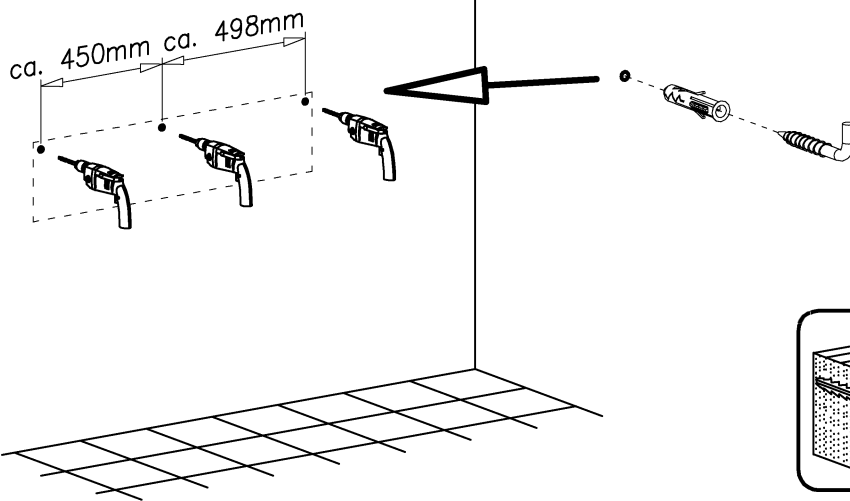
ver.4



PUSH

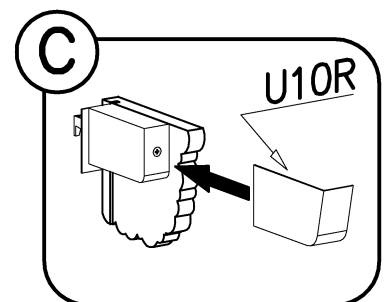
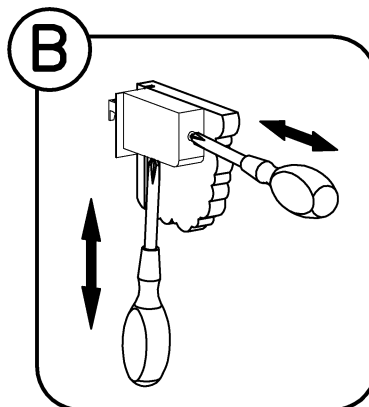
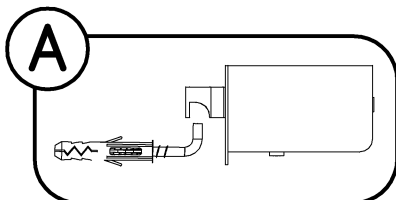
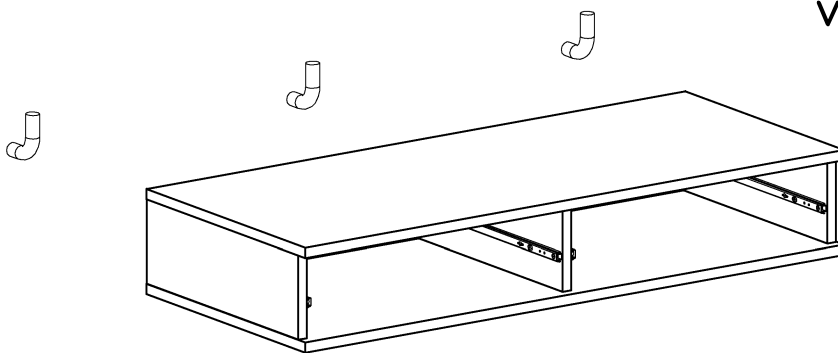
XIII

ver.3,4

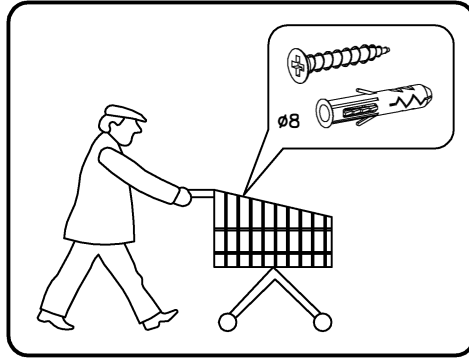
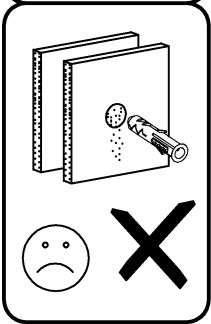
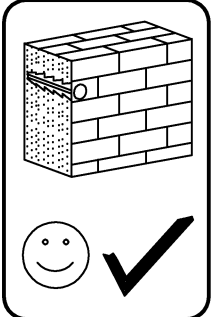


XIV

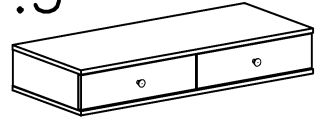
ver.3,4



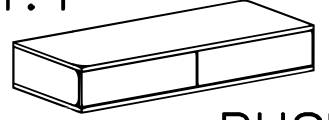
XV



ver.3

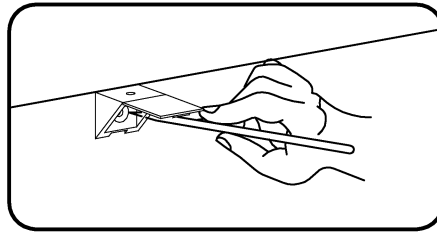


ver.4

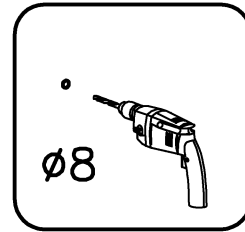


PUSH

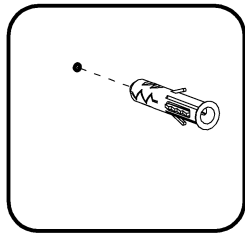
1



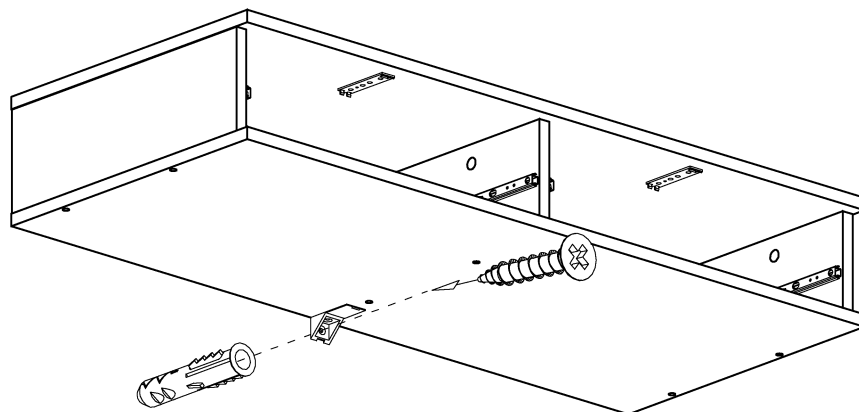
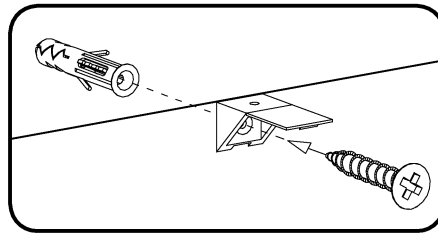
2



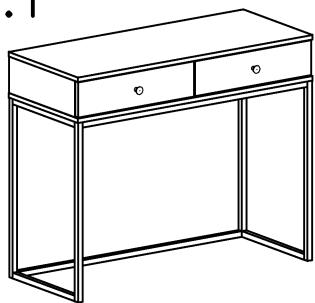
3



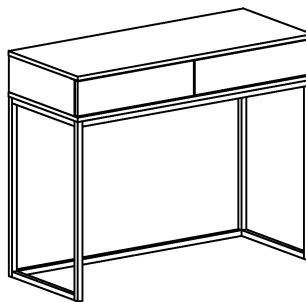
4



ver.1

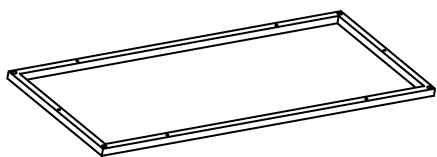


ver.2



PUSH

A



x1

B



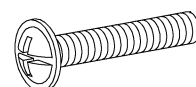
x1

C



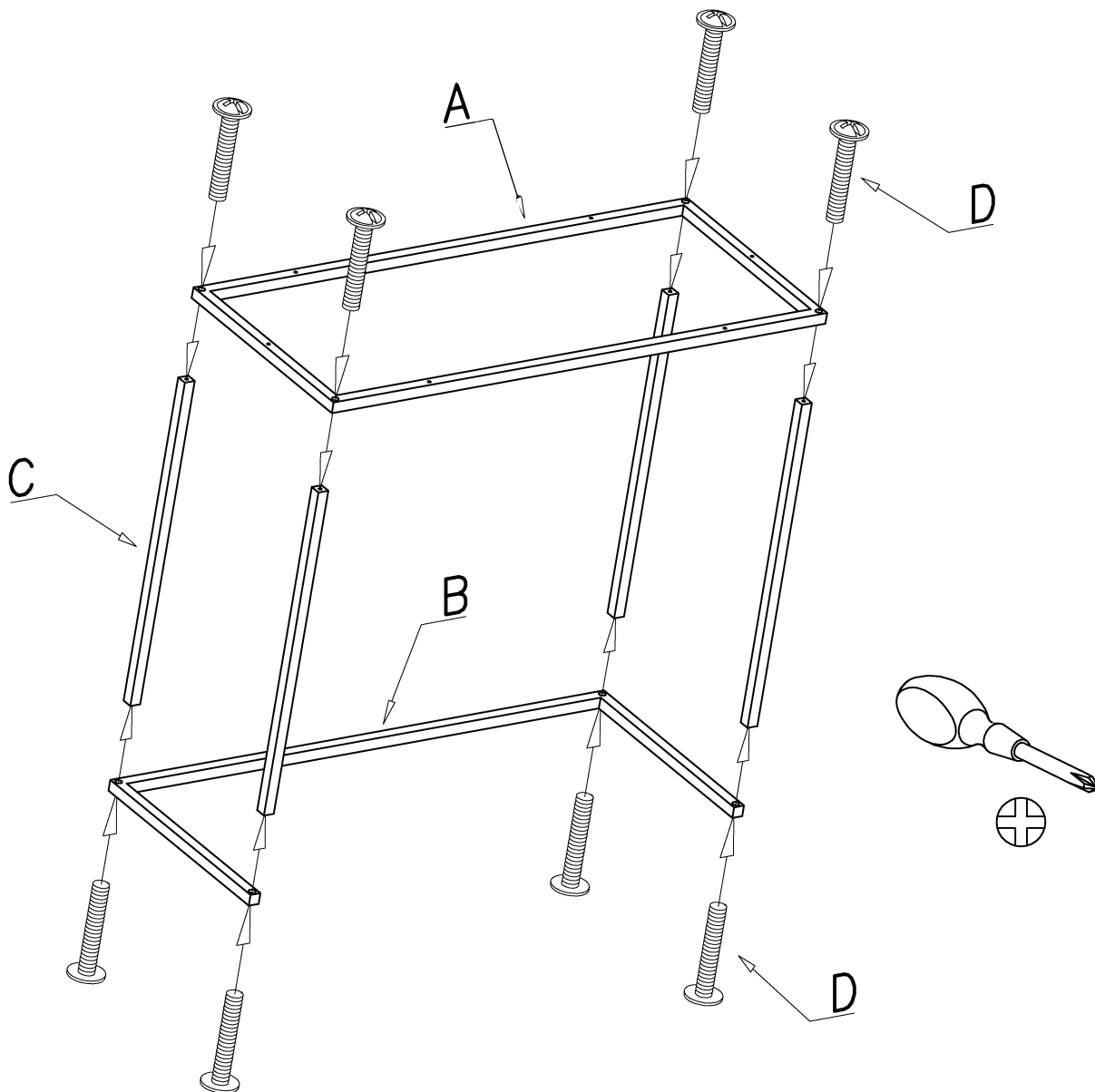
x4

D

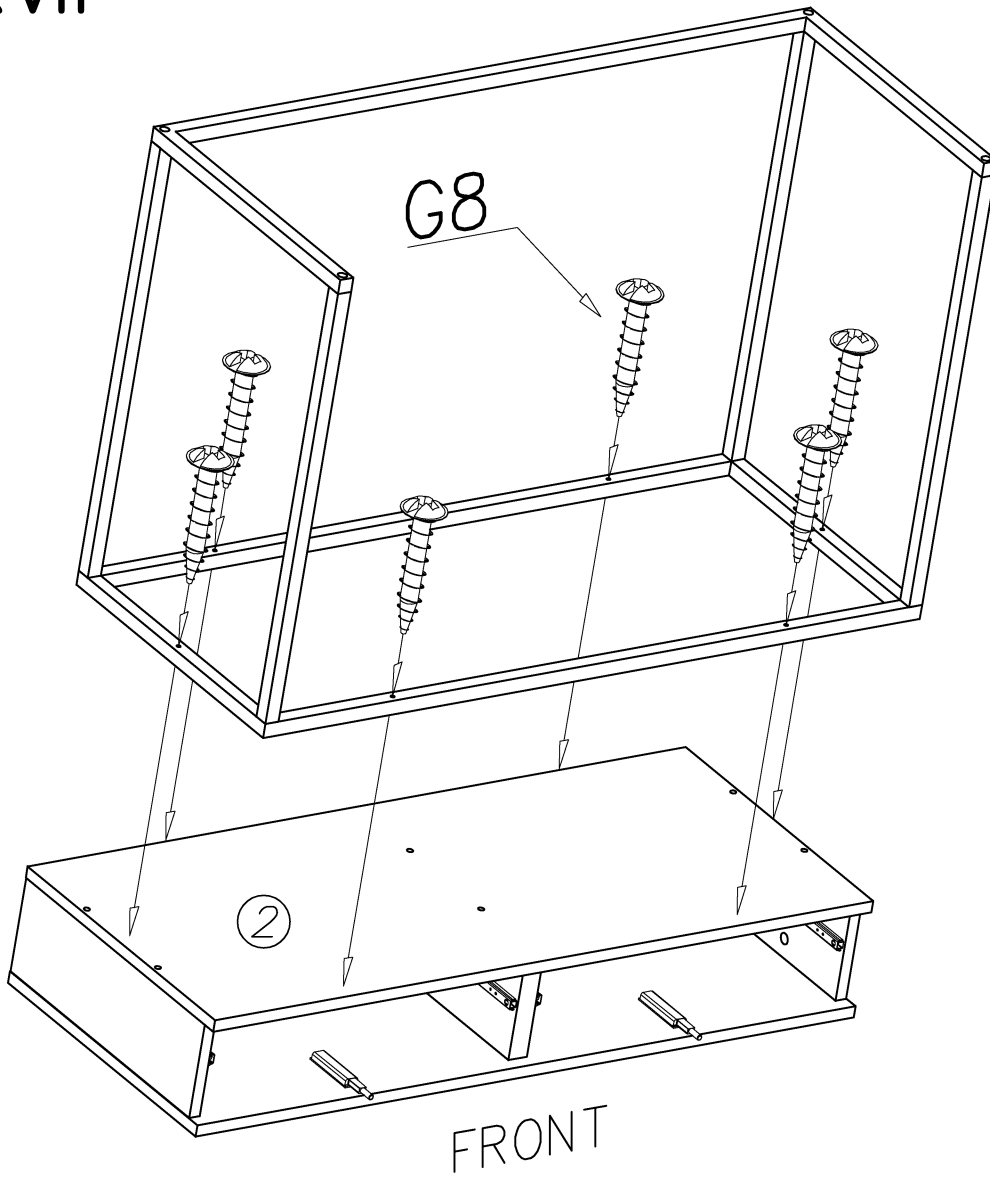


x8

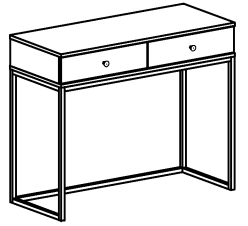
XVI



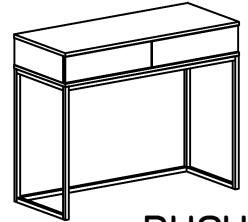
XVII



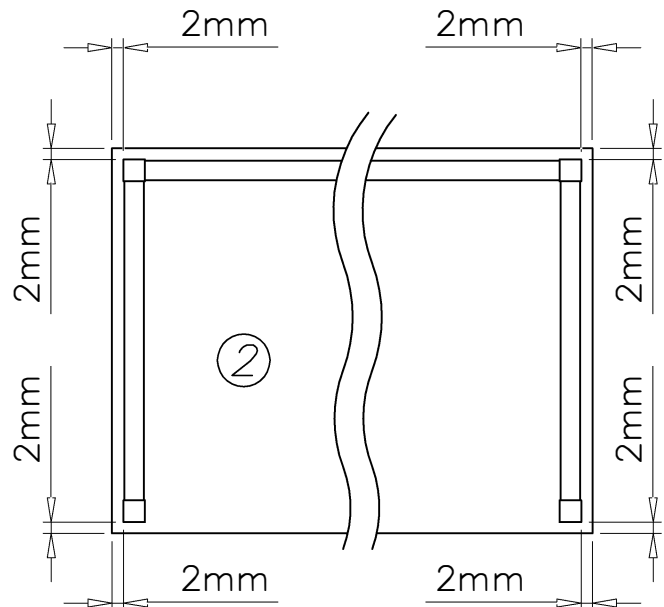
ver.1



ver.2

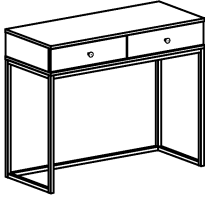


PUSH

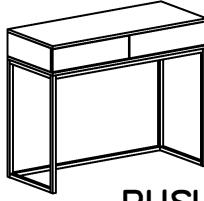


XVIII

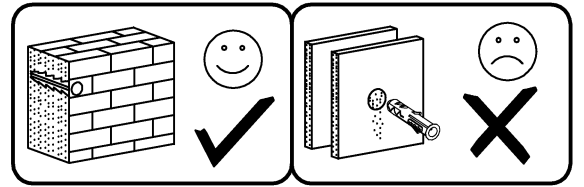
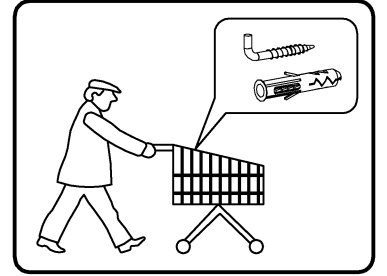
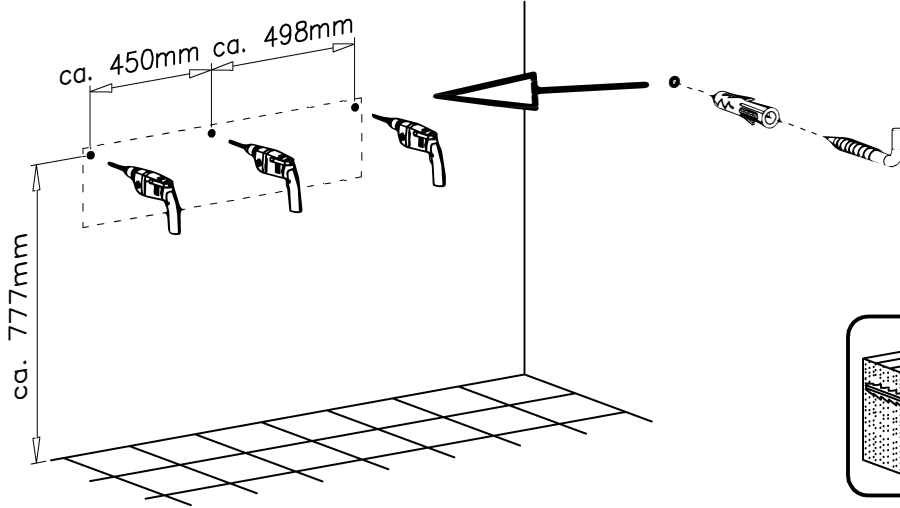
ver.1



ver.2

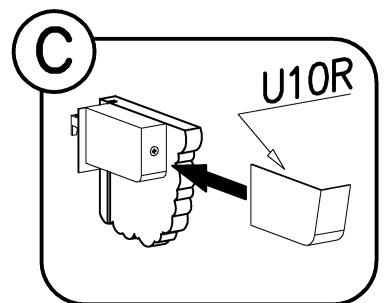
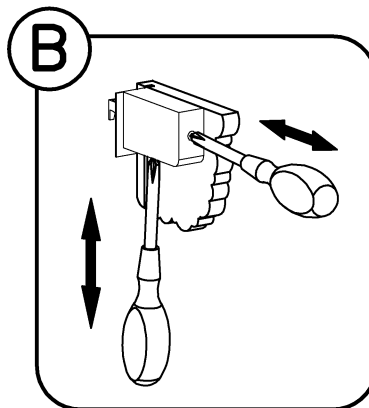
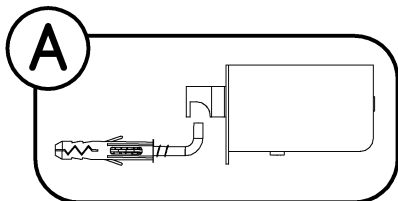
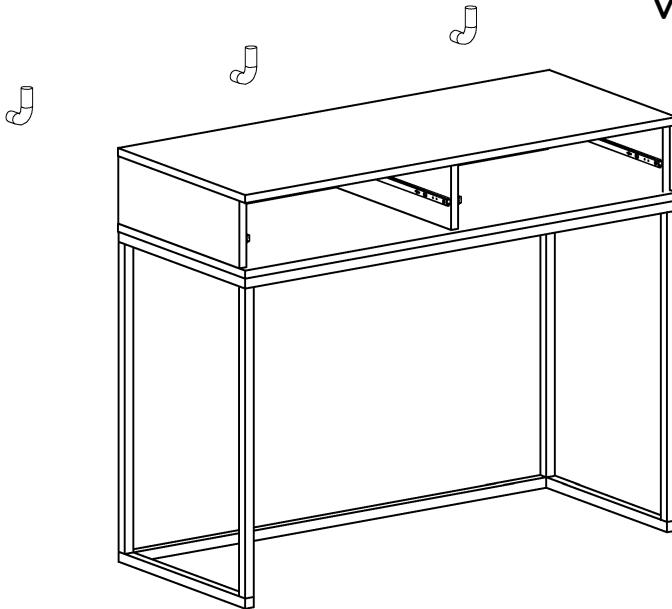


PUSH



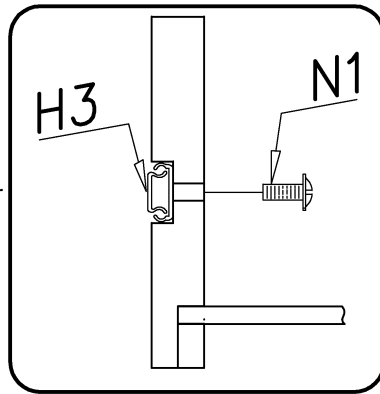
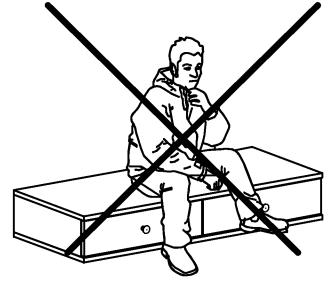
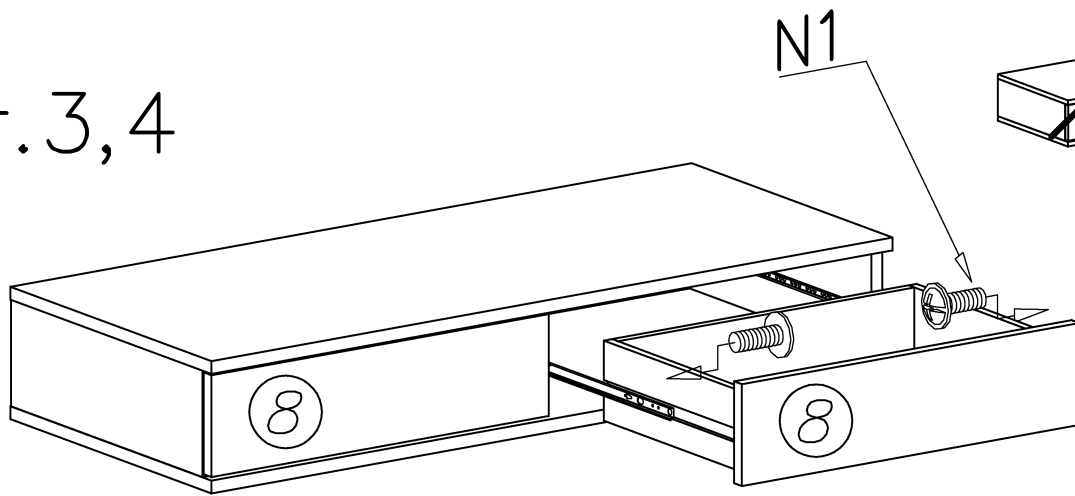
XIX

ver.1,2

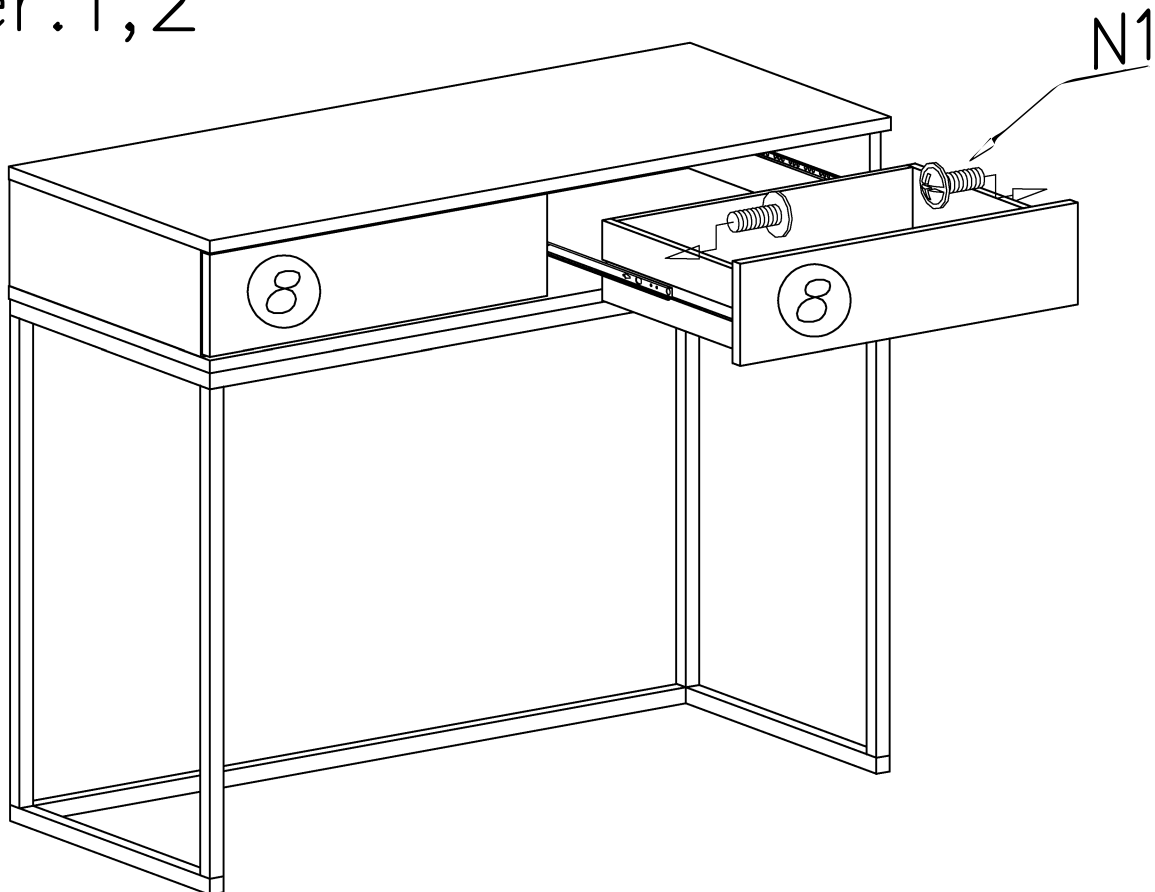


XX

ver. 3,4



ver. 1,2





Uwaga • Upozornění • Achtung • Attention • Caution • Figyelem
 Attenzione • Opgelet • Внимание • Atenție • Upozornenie • Dikkat

