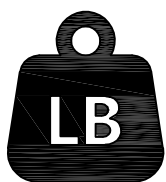


NOTE:

This brochure contains IMPORTANT safety info. Please read and keep for future reference.

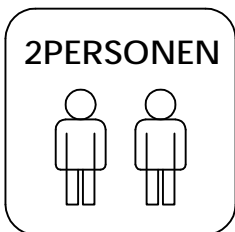
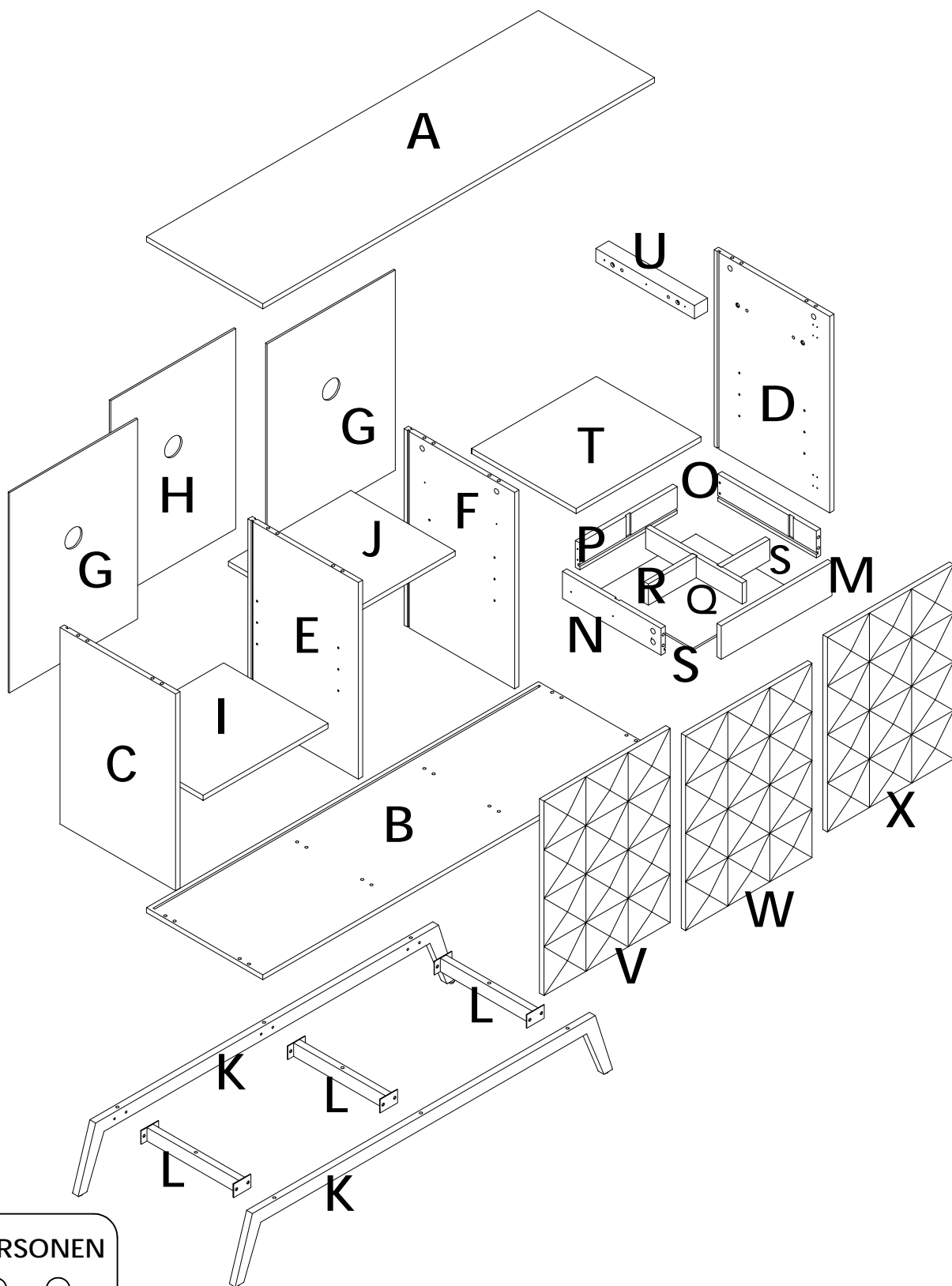
MAINTAINANCE AND WARNING

- 1.Keep furniture away from heat sources.
- 2.Do not clean furniture with harsh cleaner or polishes.Do not use detergents,solvents,abrasives,spray packs or leather cleaner. Use non-color mild soa with warm water to clean spills(Mix 1:10 soap to water).
- 3.Do not place furniture under direct sunlight,material will possibly fade over time.
- 4.Do not use on site dry cleaning machine.Children should not climb or jump on the furniture.
- 5.Do not write on furniture that is not protectedby a padded barrier.
- 6.Not for commercial use,only for residential use.



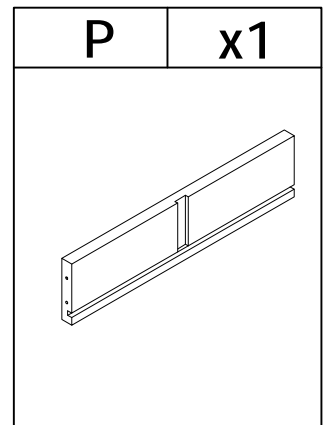
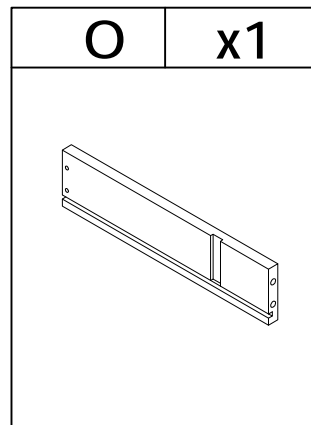
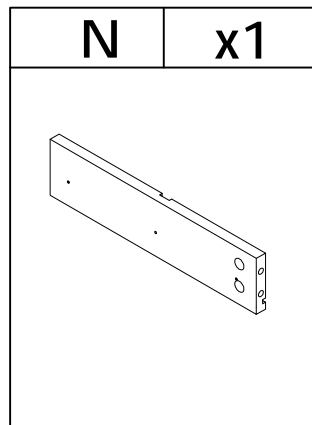
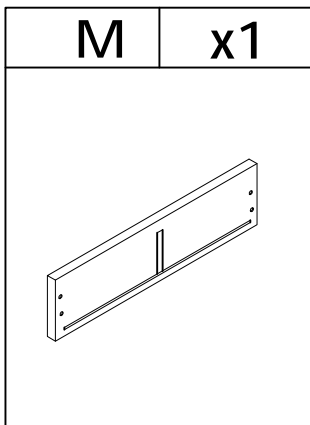
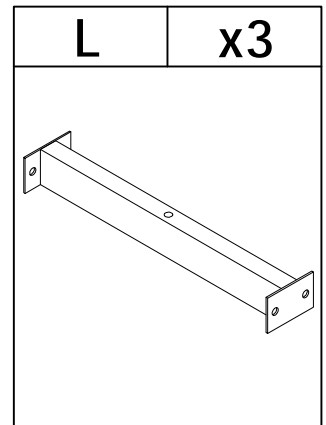
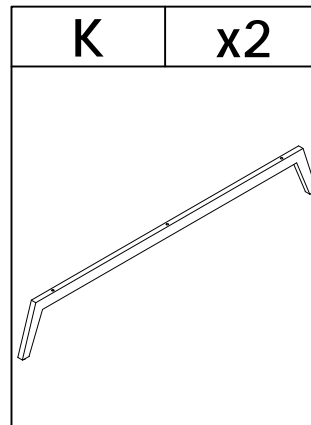
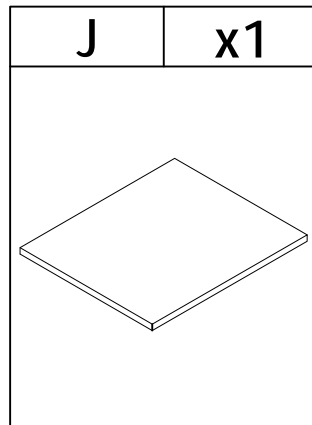
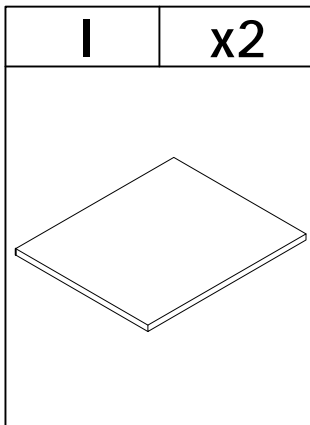
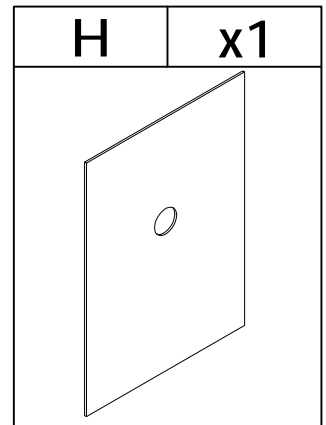
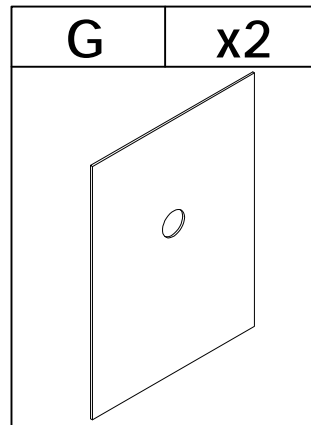
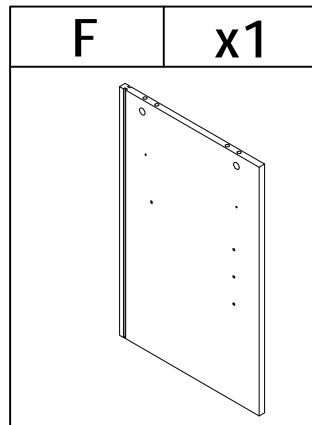
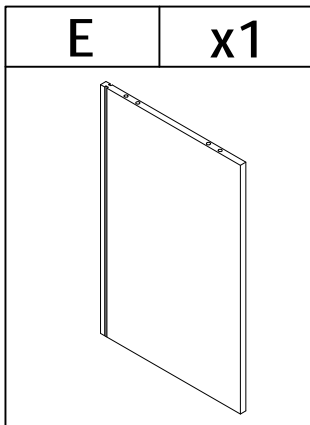
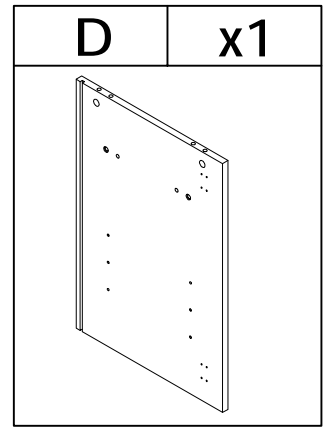
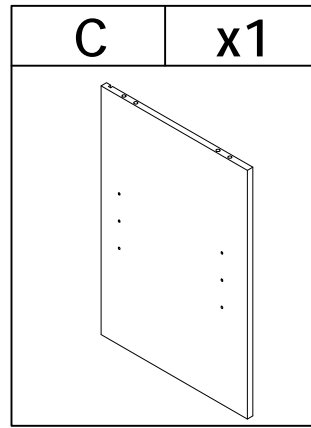
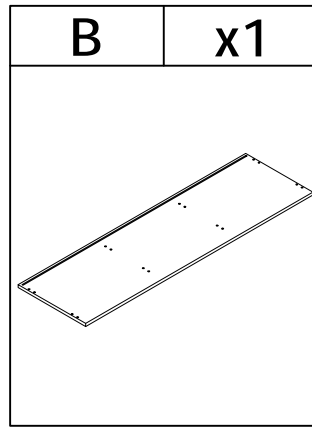
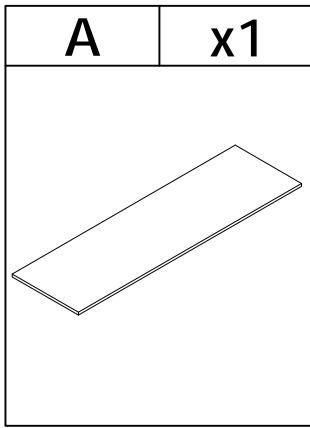
Weight Limitation
150 LBS

EXPLOSIVE VIEW

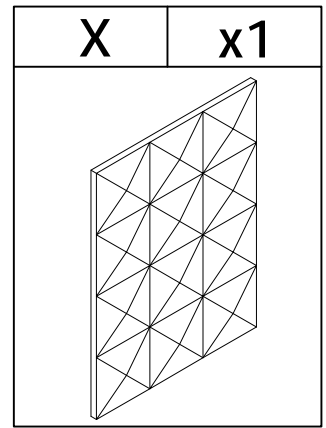
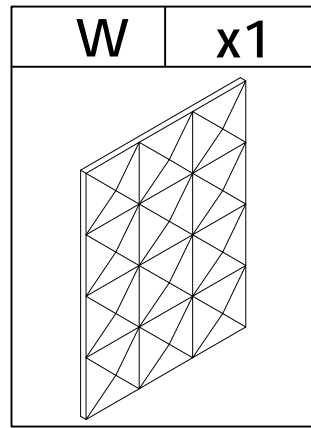
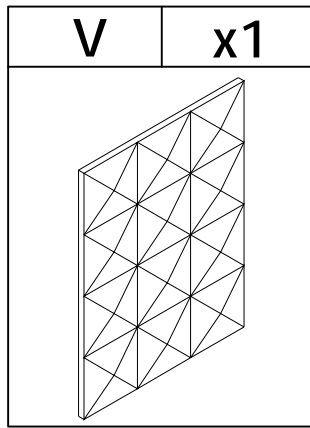
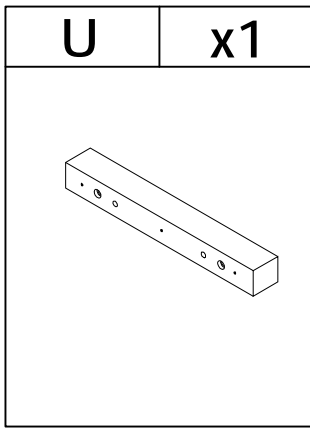
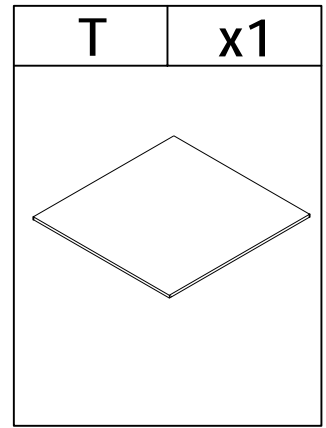
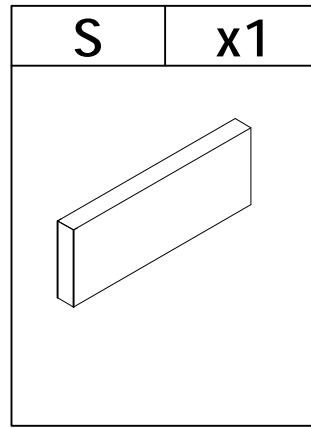
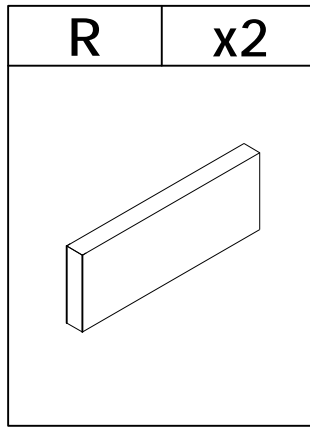
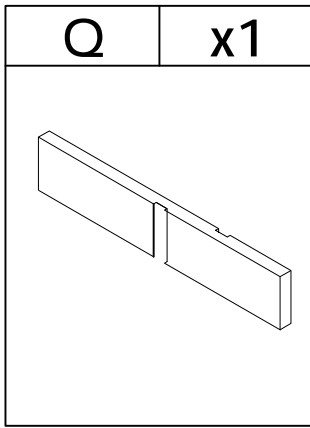


OVERVIEW

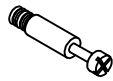







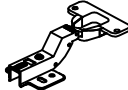


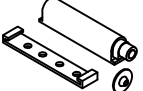





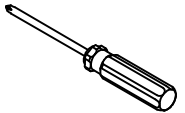

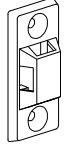
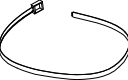
PARTS LIST



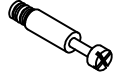



PARTS LIST



HARDWARE LIST

#1	x16	#2	x18	#3	x16	#4	x8	#5	x12	#6	x11
											
φ6x30mm		φ8x30mm		φ15x11mm		M7x50mm		M6x15mm		M6x50mm	
#7	x16	#8	x12	#9	x4	#10	x2	#11	x65	#12	x3
											
φ20mm								M3.5x14mm			
#13	x8	#14	x2	#15	x2	#16	x12	#17	x1	#18	x1
											
M4x35mm		1 pair		1 pair				M4			
#19	x4	#20	x2	#21	x2						
											
φ8*30mm											

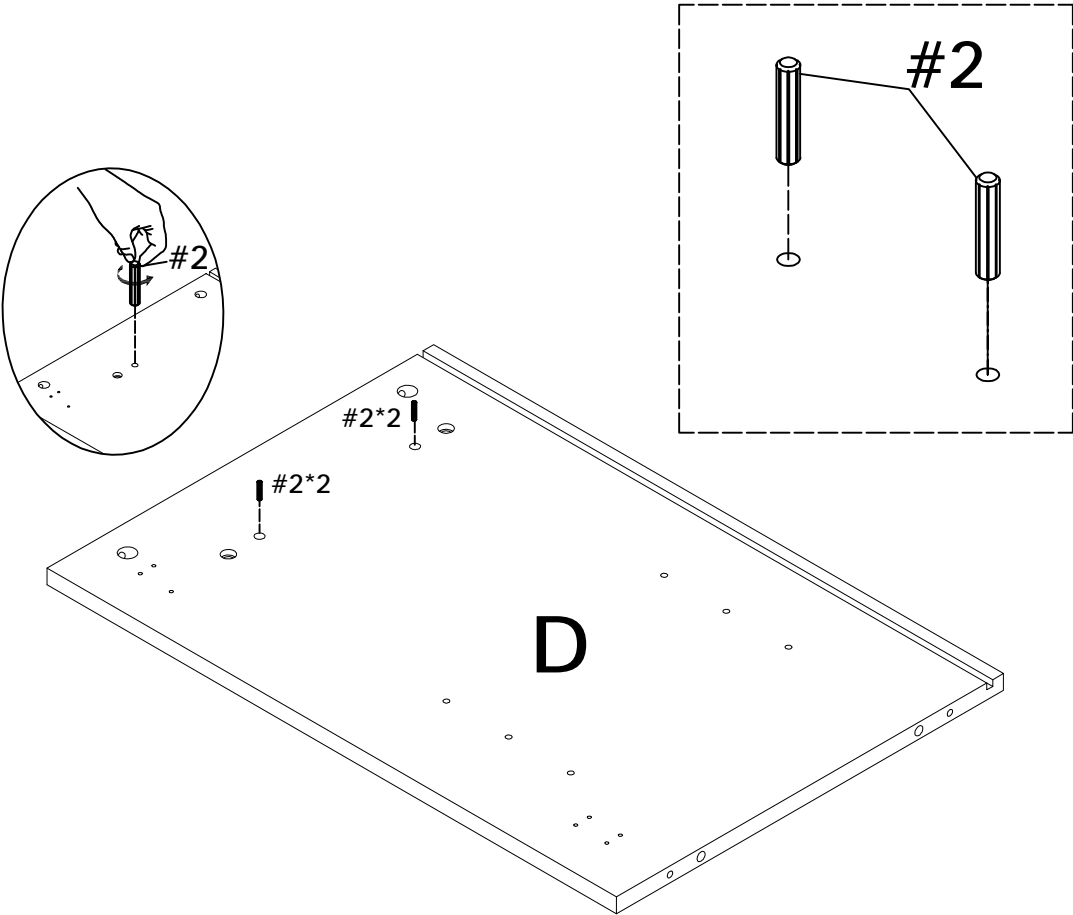
HARDWARE LIST


#1	x1	#5	x1	#6	x1	#11	x1
							
φ6x30mm		M6x15mm		M6x50mm		M3.5x14mm	

ASSEMBLY INSTRUCTIONS

STEP-1

Align the holes in part D, insert wooden dowel #2 by hand.

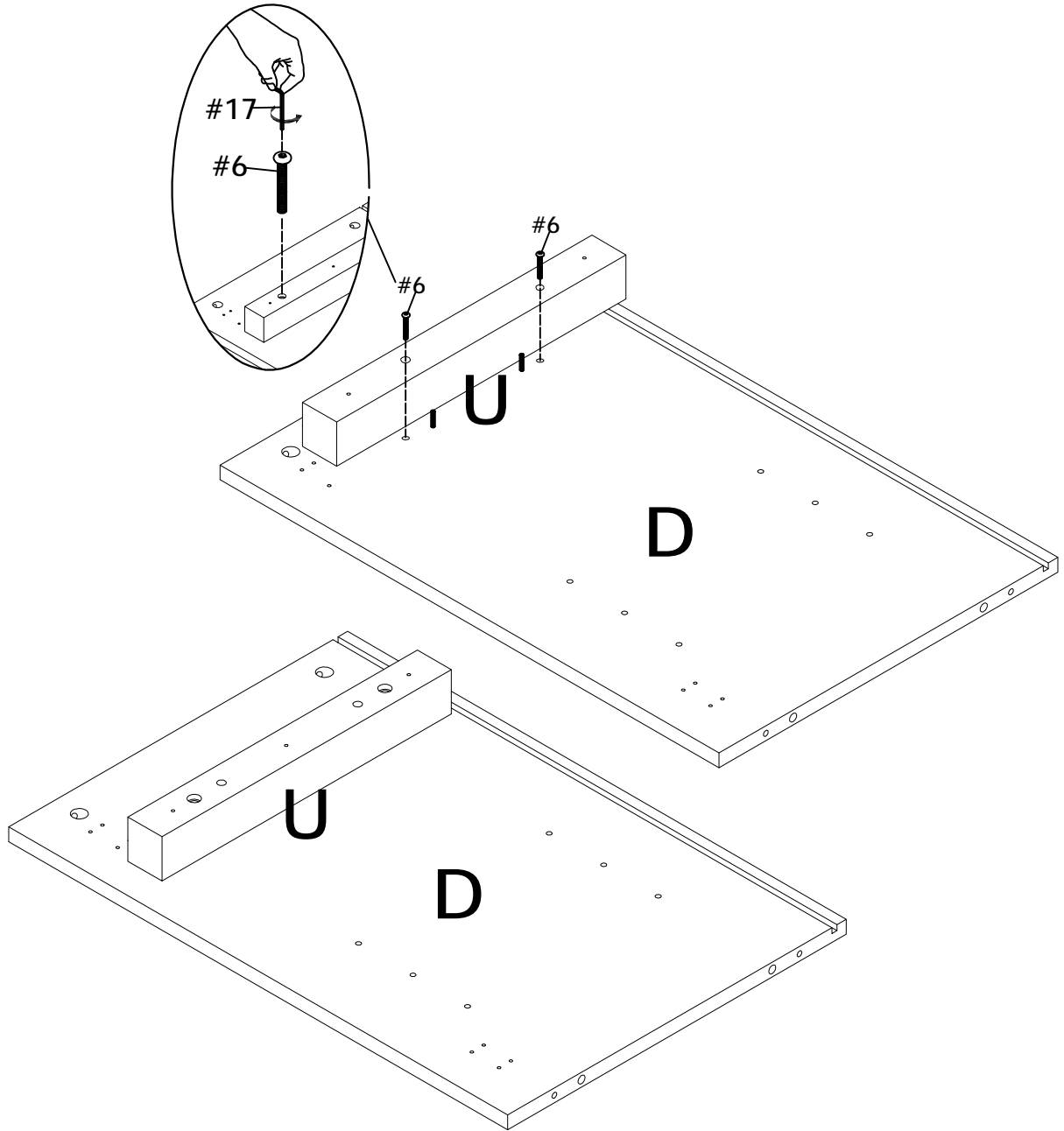


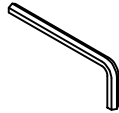
#2	x2
	
ø8x30mm	


ASSEMBLY INSTRUCTIONS

STEP-2

Use #6 screws to fix the U component to the corresponding position on the panel (D), and use a #17 hex wrench to tighten the screws.



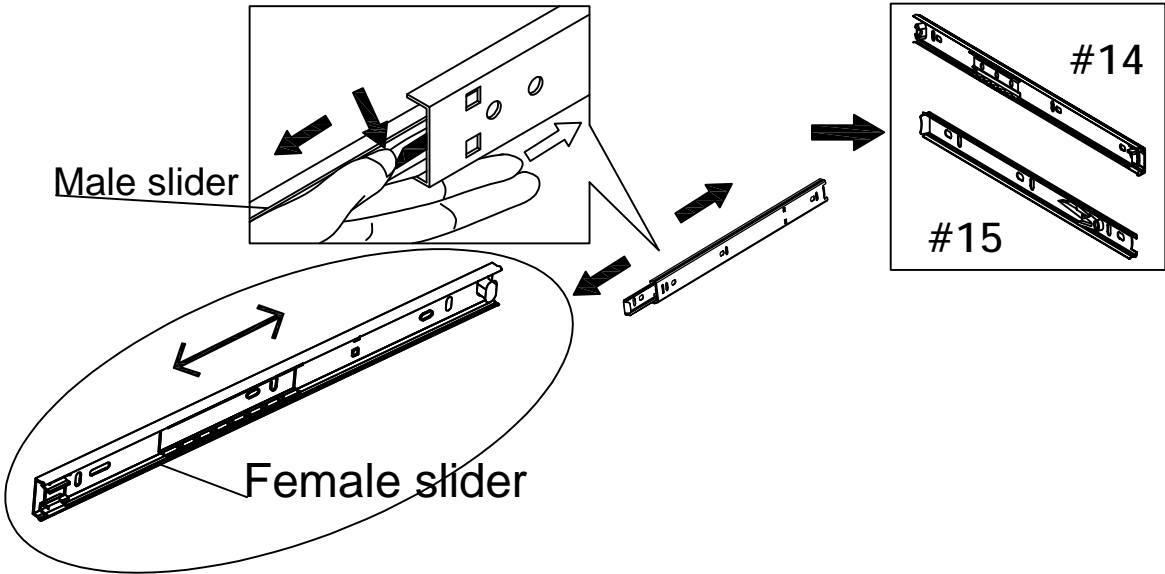
#17	x1
	
M4	

#6	x2
	
M6x50mm	

ASSEMBLY INSTRUCTIONS

STEP-3

Lift the black button up with your hand and pull out the movable rail.

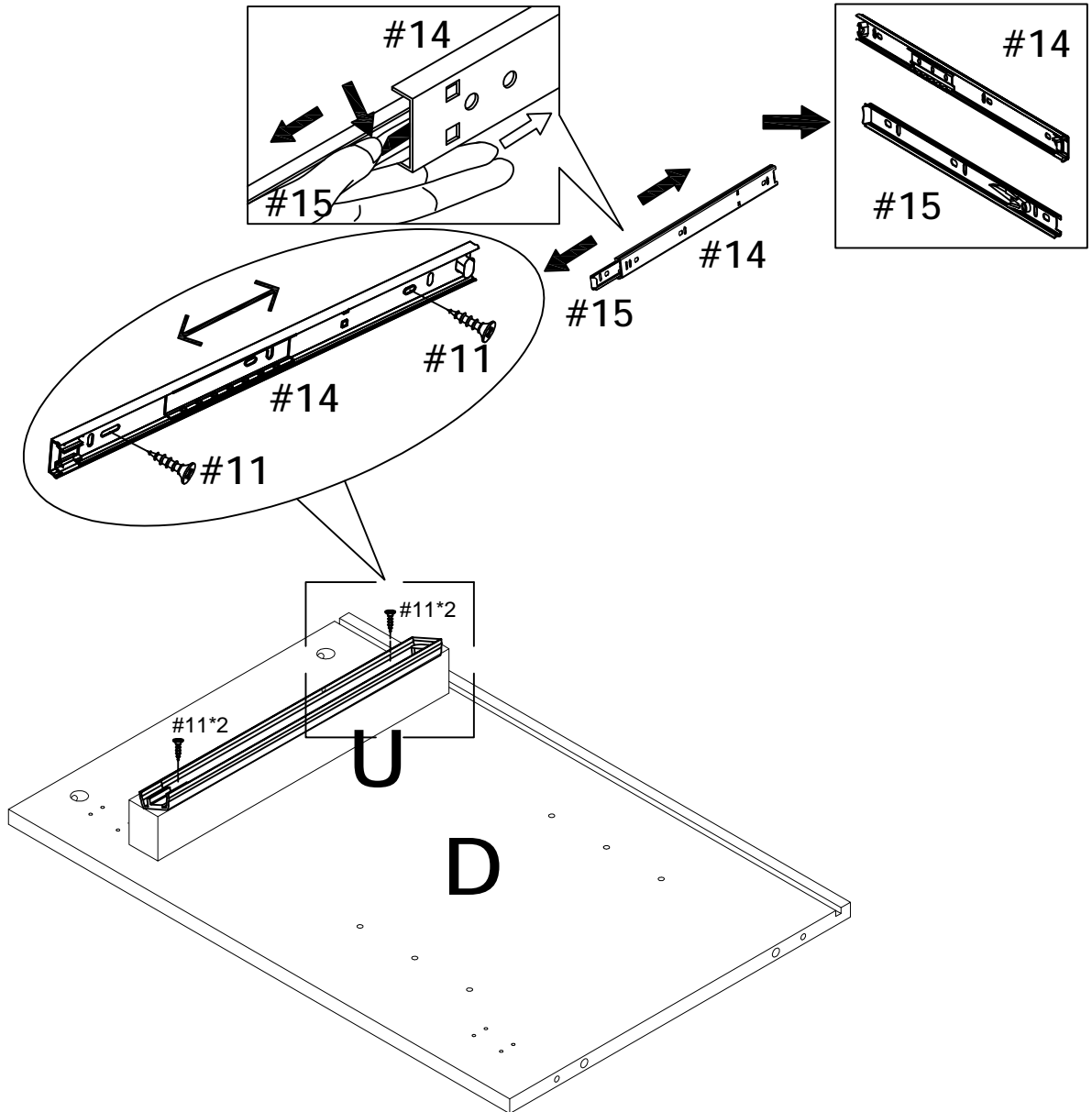


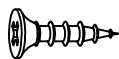
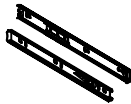
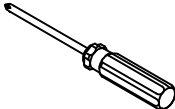
#14	x2
1付	

ASSEMBLY INSTRUCTIONS

STEP-4

Use #11 screws to fix the slide rail #14 to the corresponding position of the part (U), and tighten the screws with a screwdriver #18.

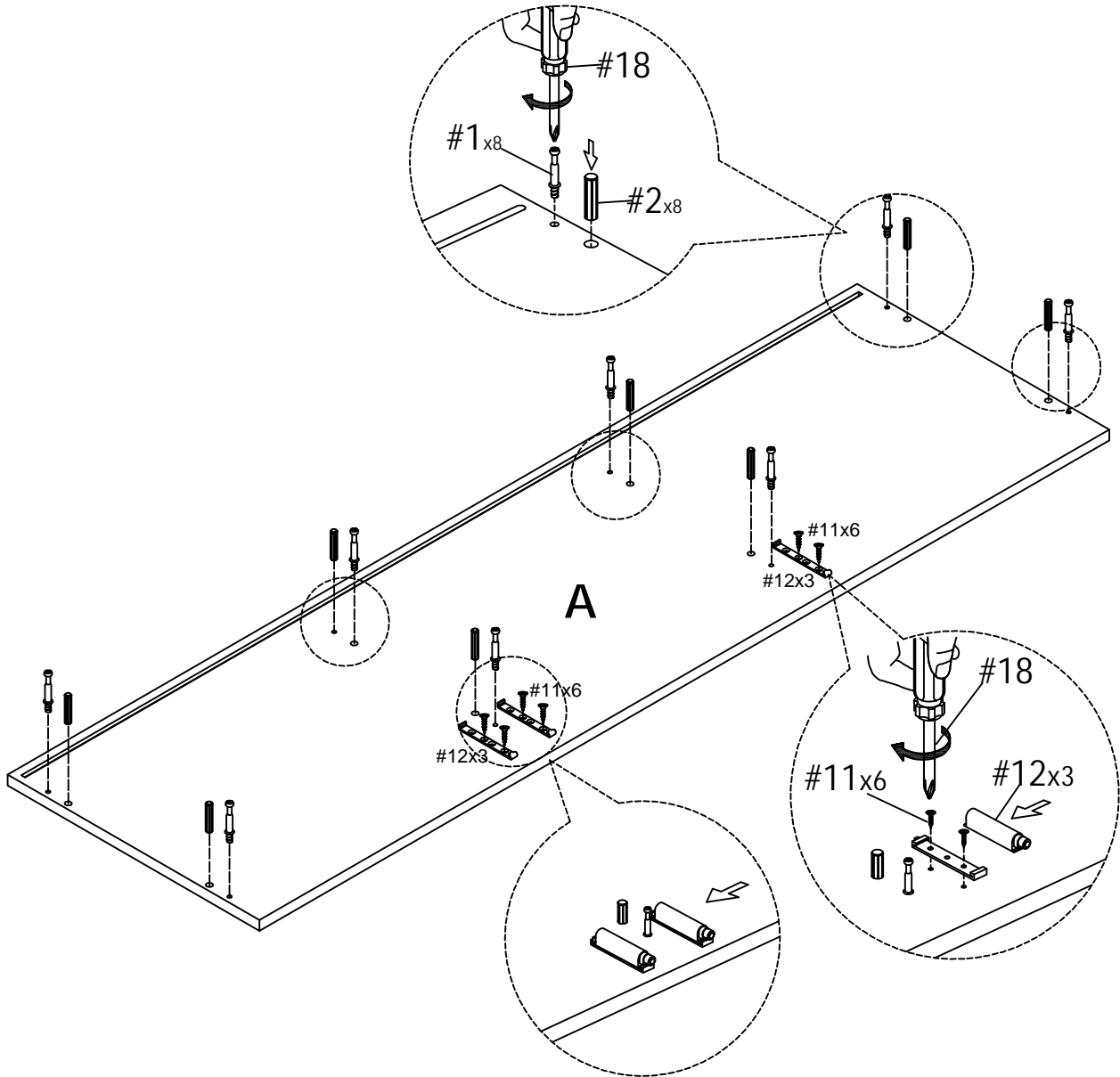


#11	x2	#14	x2	#18	x1
					
Ø3.5*14mm					

ASSEMBLY INSTRUCTIONS

STEP-6

- 1.Prepare for part A. Align the holes in part A, insert wooden dowel #2 by hand, and tighten bolt #1 with screwdriver #18.
- 2.Use bolt #11 to attach bouncer #12 to top panel (A) , tighten bolts with screwdriver #18.

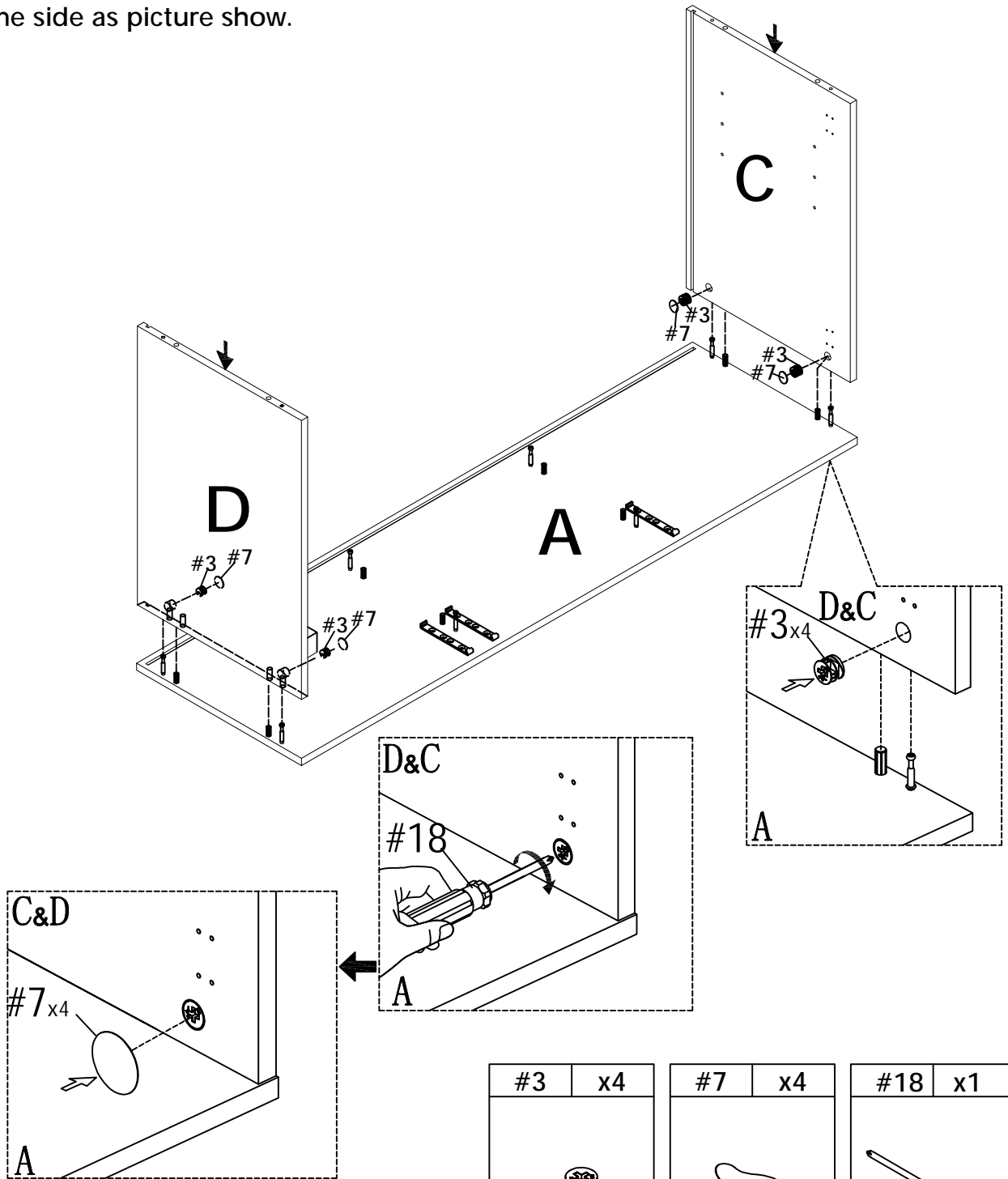




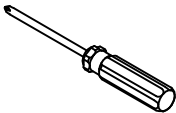
#11	x6	#12	x3	#1	x8	#2	x8	#18	x1
φ3.5*14mm				φ6x35mm		φ8x30mm			

ASSEMBLY INSTRUCTIONS

STEP-7

1. Connect the part A with part C&D. align the hole in the part C&D, insert the bolt #1 and wooden dowel #2 in part A into part C&D. insert cam bolt #3 into the corresponding hole of side panel C&D, and tighten the nuts #3 with a screwdriver #18. After installation, cover the screw holes with #7. Make sure the groove is in same side as picture show.

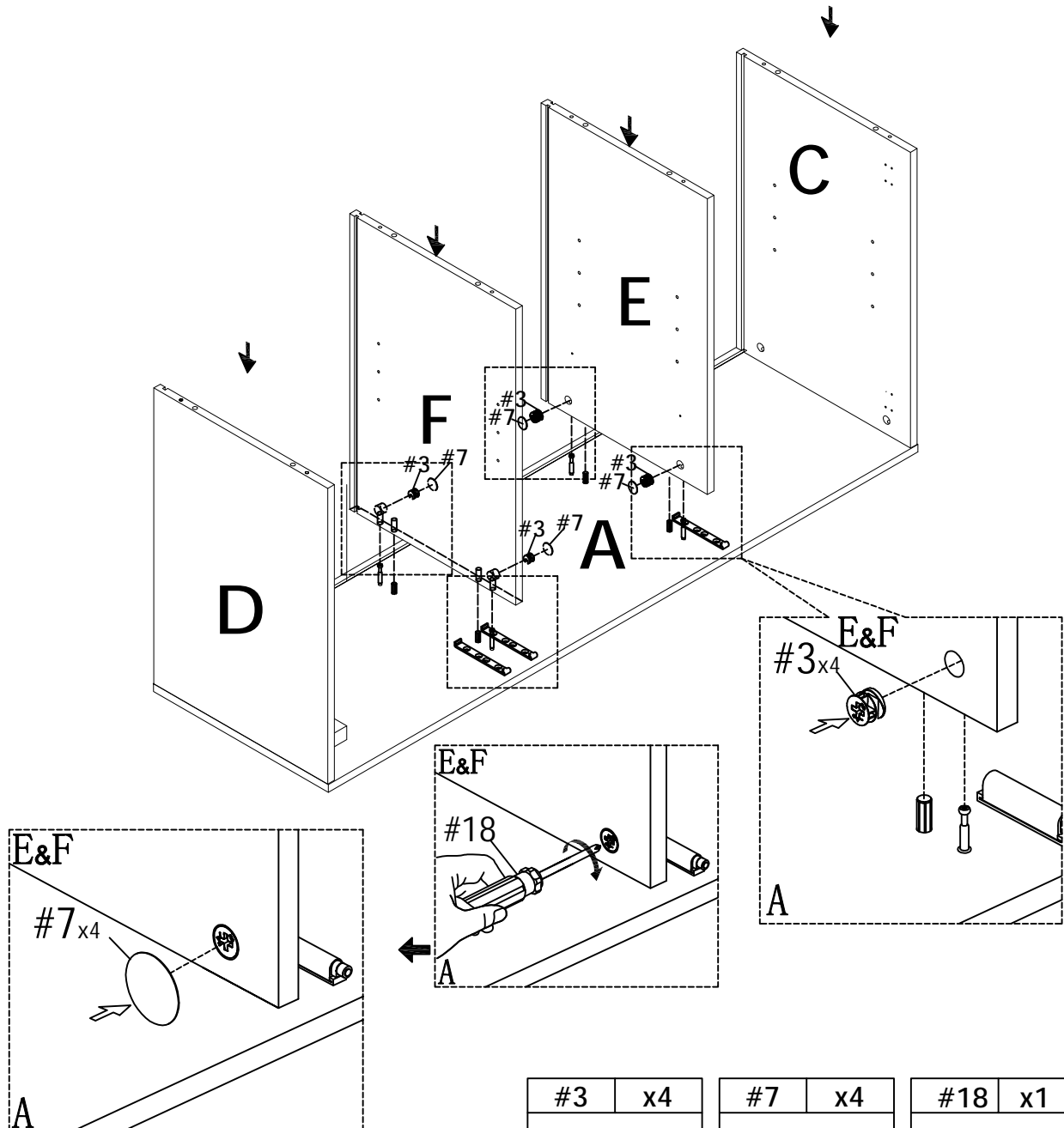




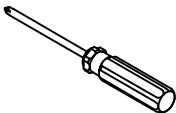
#3	x4	#7	x4	#18	x1
					
φ15x11mm		φ20mm			

ASSEMBLY INSTRUCTIONS

STEP-8

1. Connect the part A with part E&F. align the hole in the part E&F, insert the bolt #1 and wooden dowel #2 in part A into part E&F. insert cam bolt #3 into the corresponding hole of side panel E&F, and tighten the nuts #3 with a screwdriver #18. After installation, cover the screw holes with #7. Make sure the groove is in same side as picture show.

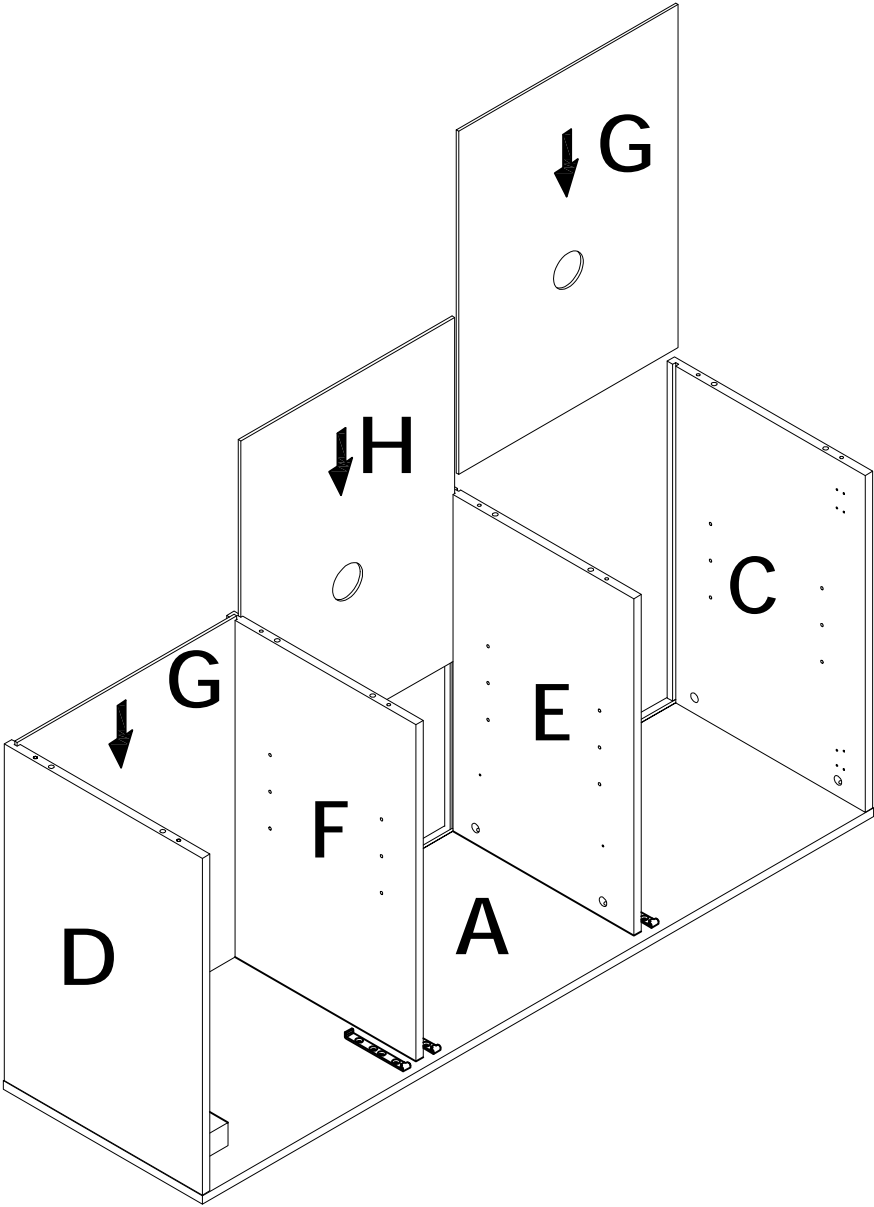


#3	x4	#7	x4	#18	x1
					
φ15x11mm		φ20mm			

ASSEMBLY INSTRUCTIONS

STEP-9

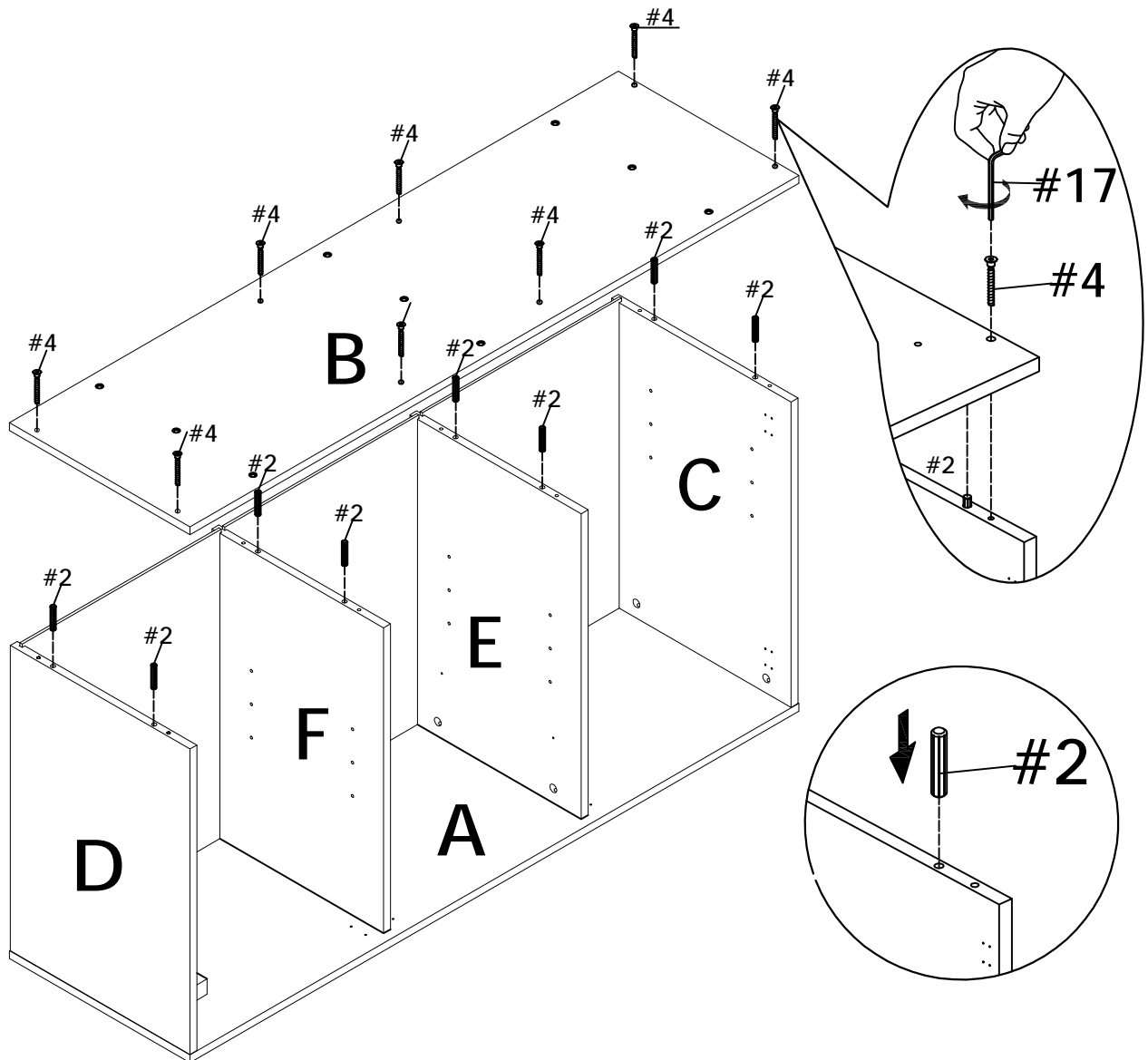
1. Slide parts G, H, G into the grooves of part C, E and, F and D. Make sure they are in the slots in Part A as well.

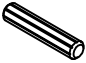




ASSEMBLY INSTRUCTIONS

STEP-10

2. Connect the part B the pre-assembled unit in step 9. Then align the holes in part B, Insert screw #4 and push it down so that it connects to parts C&E&F&D. Next, and tighten the screw #4 with an Allen key #17.

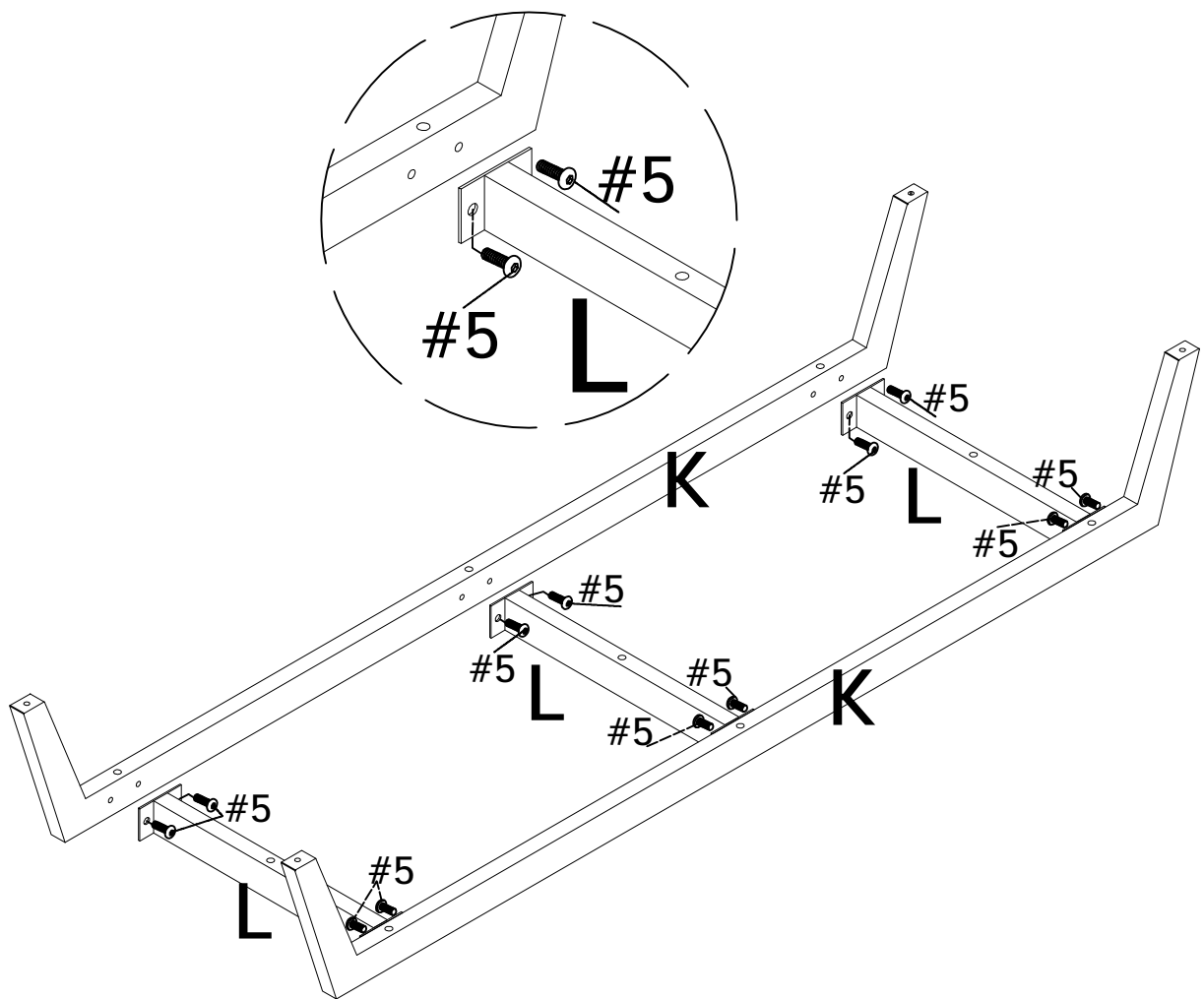



#2	x8	#4	x8	#17	x1
					
ø8x30mm		M7x50mm		M4	


ASSEMBLY INSTRUCTIONS

STEP-11

1. Align the holes of part K insert the bolt #5, Install the middle foot(L) to part K. Use bolt #5 to mount I and K together.and tighten the bolt #5 with an Allen key #17.



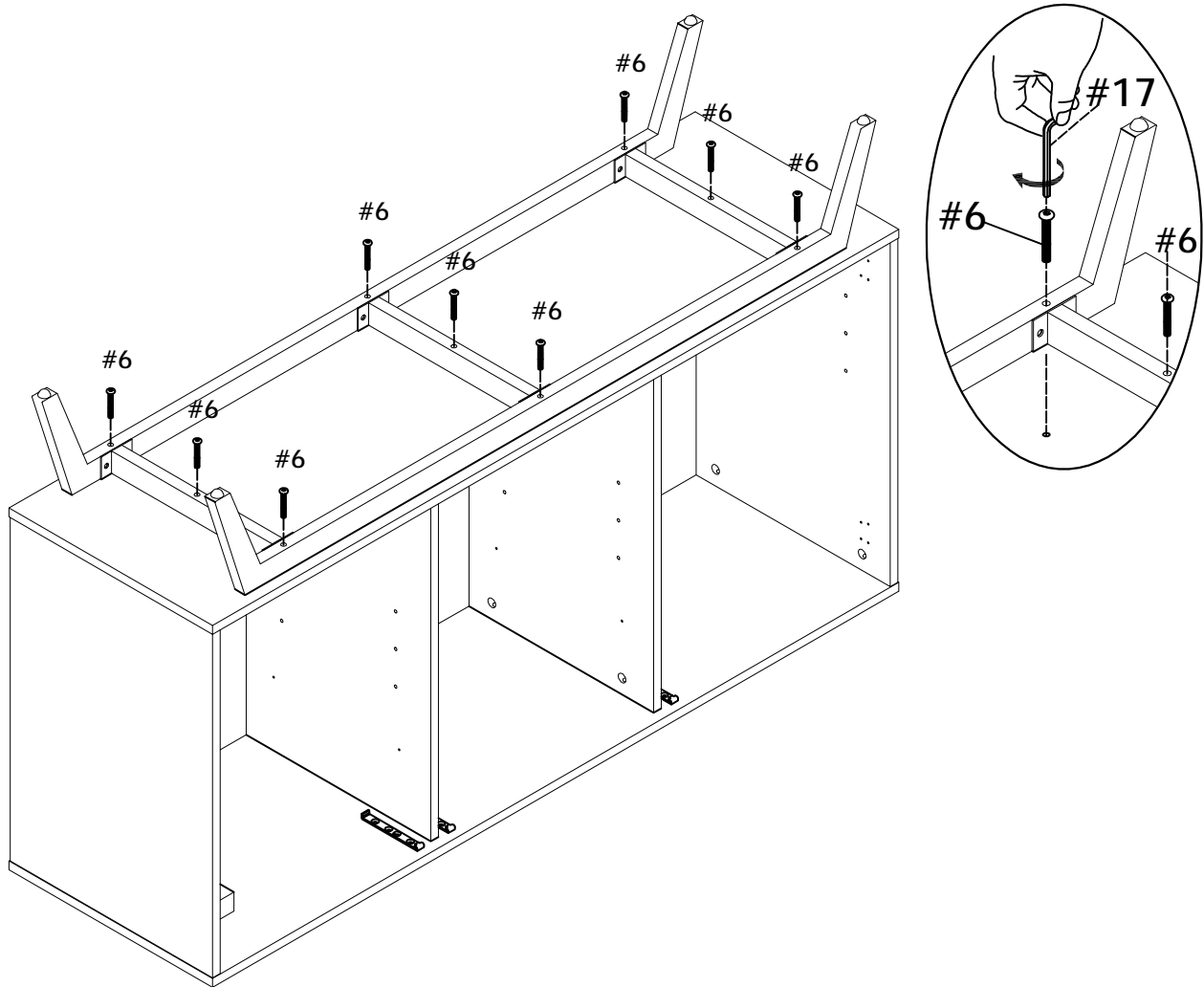
#5	x12
	
M6x15mm	


#17	x1
	
M4	

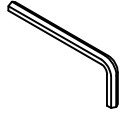
ASSEMBLY INSTRUCTIONS

STEP-12

1.connect the leg frame to the cabinet.Attach the leg frame to the pre-assembled unit in step 10 with a bolt #6 and tighten #6 with a allen key #17.



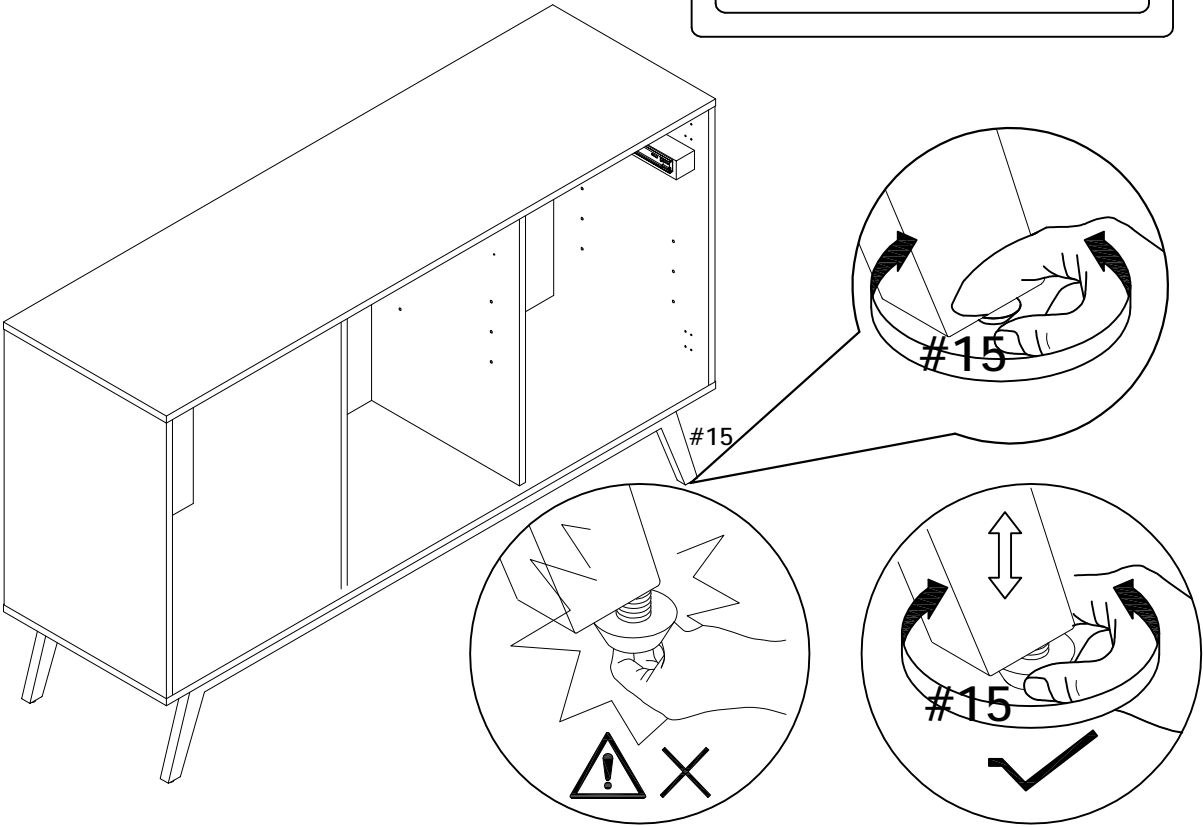
#6	x9
	
M6x50mm	

#17	x1
	
M4	

ASSEMBLY INSTRUCTIONS

STEP-13

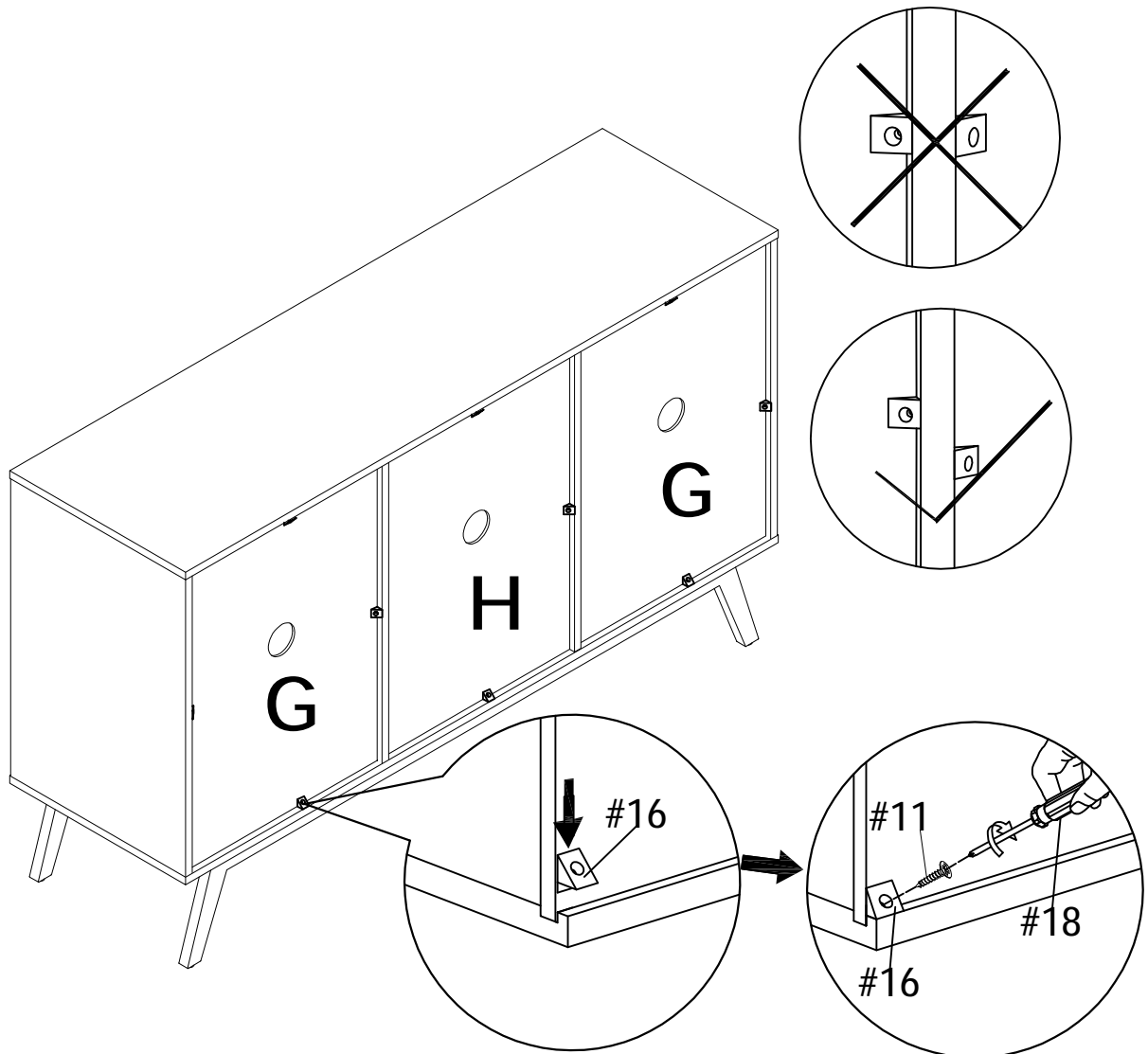
Attention:
Before the next step, adjust
the feet of the locker to keep
it level.



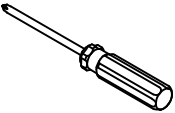


ASSEMBLY INSTRUCTIONS

STEP-14

1. Insert hardware #16 into part G&H&G as shown, screw in screw #11 using screwdriver #18 and tighten fully.



#11	x12	#16	x12	#18	x1
					
M3.5x14mm					

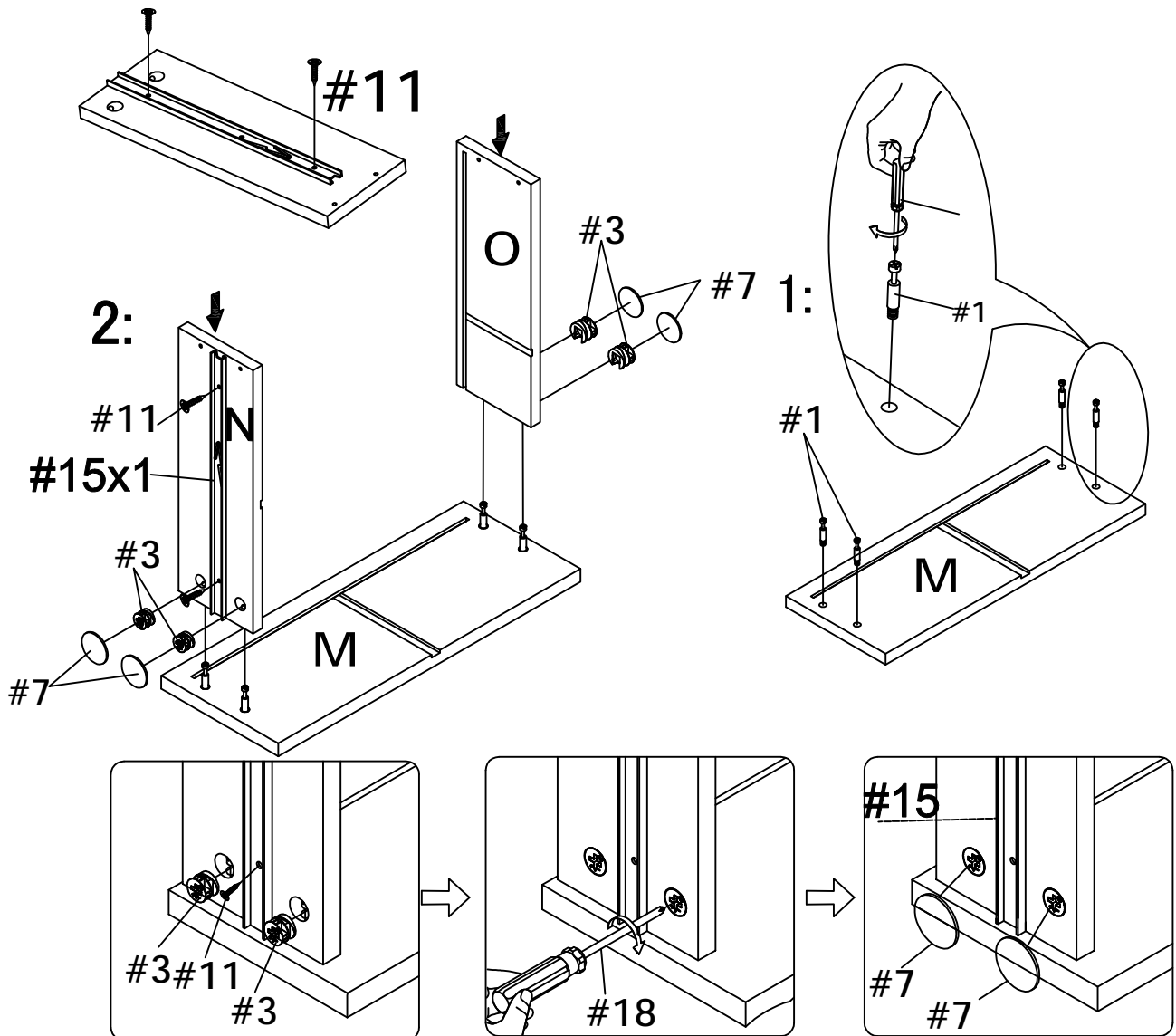
ASSEMBLY INSTRUCTIONS



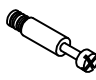


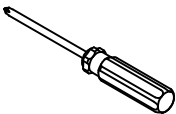
STEP-15

Step 15: Preparing the drawers, insert the #1 bolt into the M part, and use a #18 screwdriver to screw the #1 bolt into the M part.

Align the #15 slide rail with the hole in the N&O part and use a #18 screwdriver to screw the #11 bolt into the N&O part.

Align the holes in the M part, insert the bolts into the N&O part, insert the #3 bolt into the N&O part, tighten the #3 bolt with a #18 screwdriver, and cover the screw hole with a #7 cap after installation.

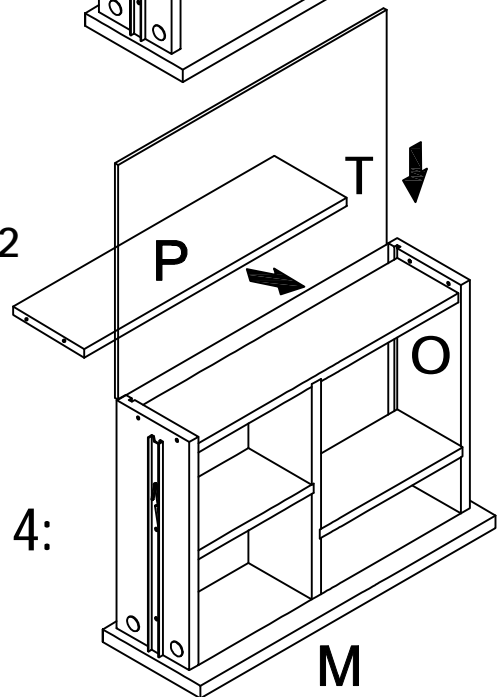
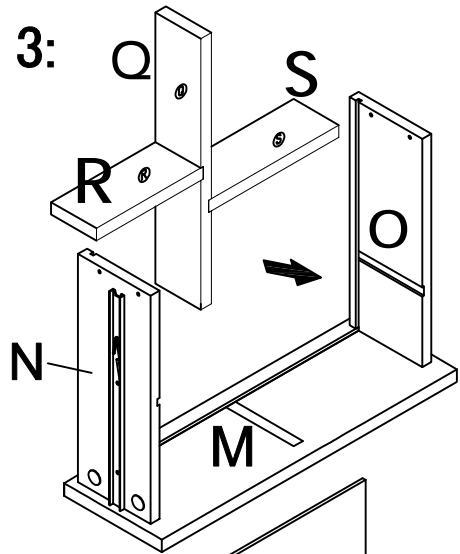
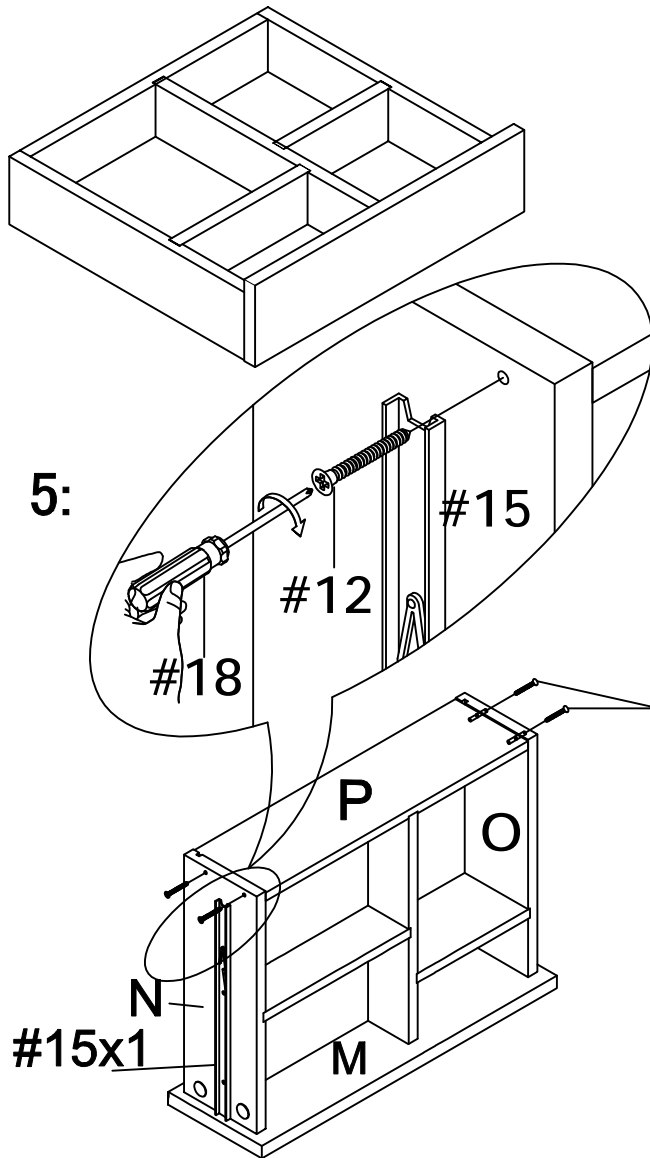


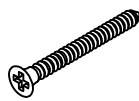

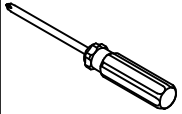
#11	x4	#15	x1	#1	x4	#3	x4	#7	x4	#18	x1
											
M3.5x14mm						M3.5x14mm					

ASSEMBLY INSTRUCTIONS

STEP-16

Step 16: Prepare the drawers. Slide the inner box R&Q&S parts into the N and O grooves. Then slide the P&T section into the N and O slots, align the holes in the P section, and use a #18 screwdriver to screw the #12 bolt into the N&O section

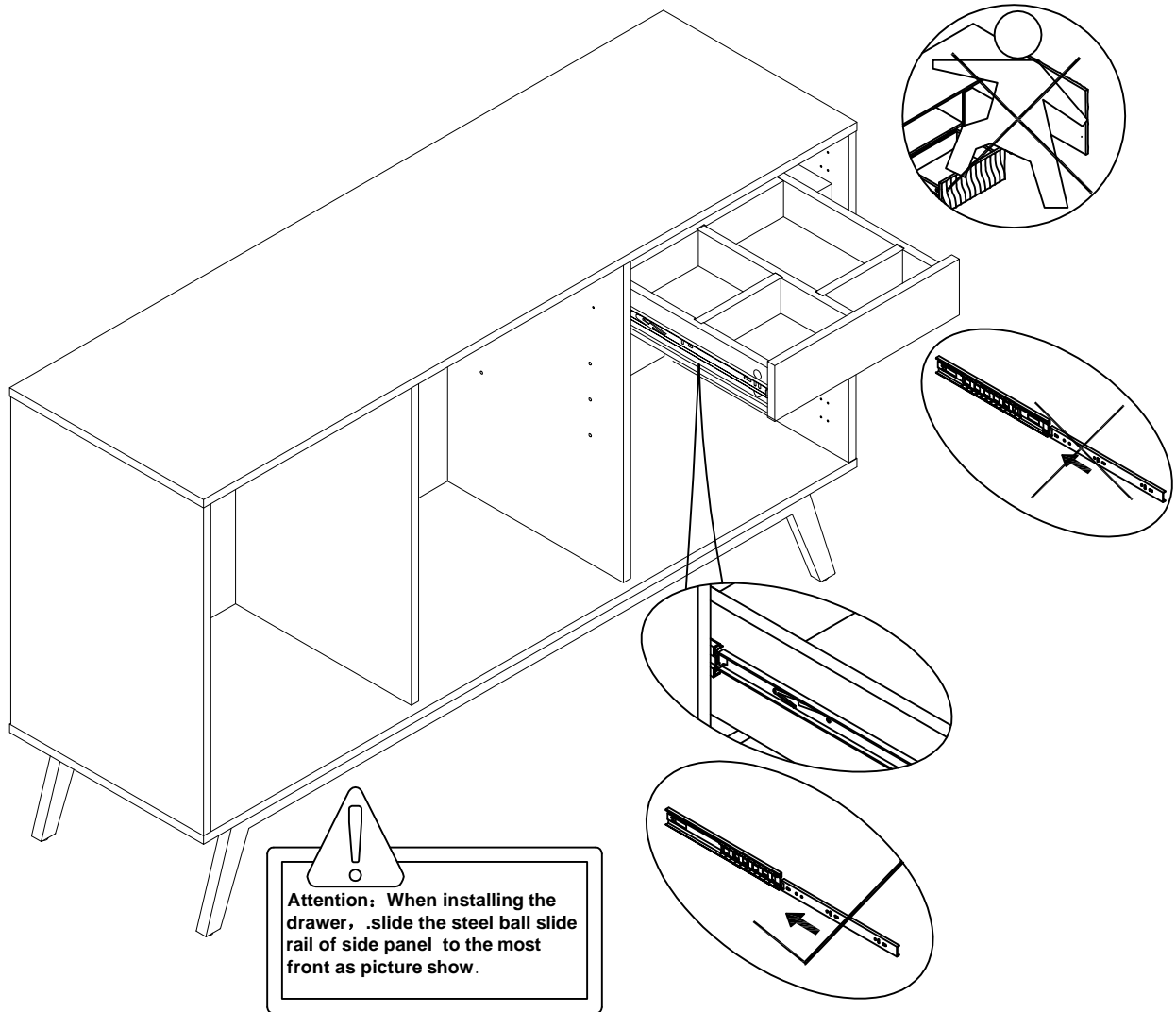


#13	x4	#15	x2	#18	x1
					
		1 pair			

ASSEMBLY INSTRUCTIONS

STEP-17

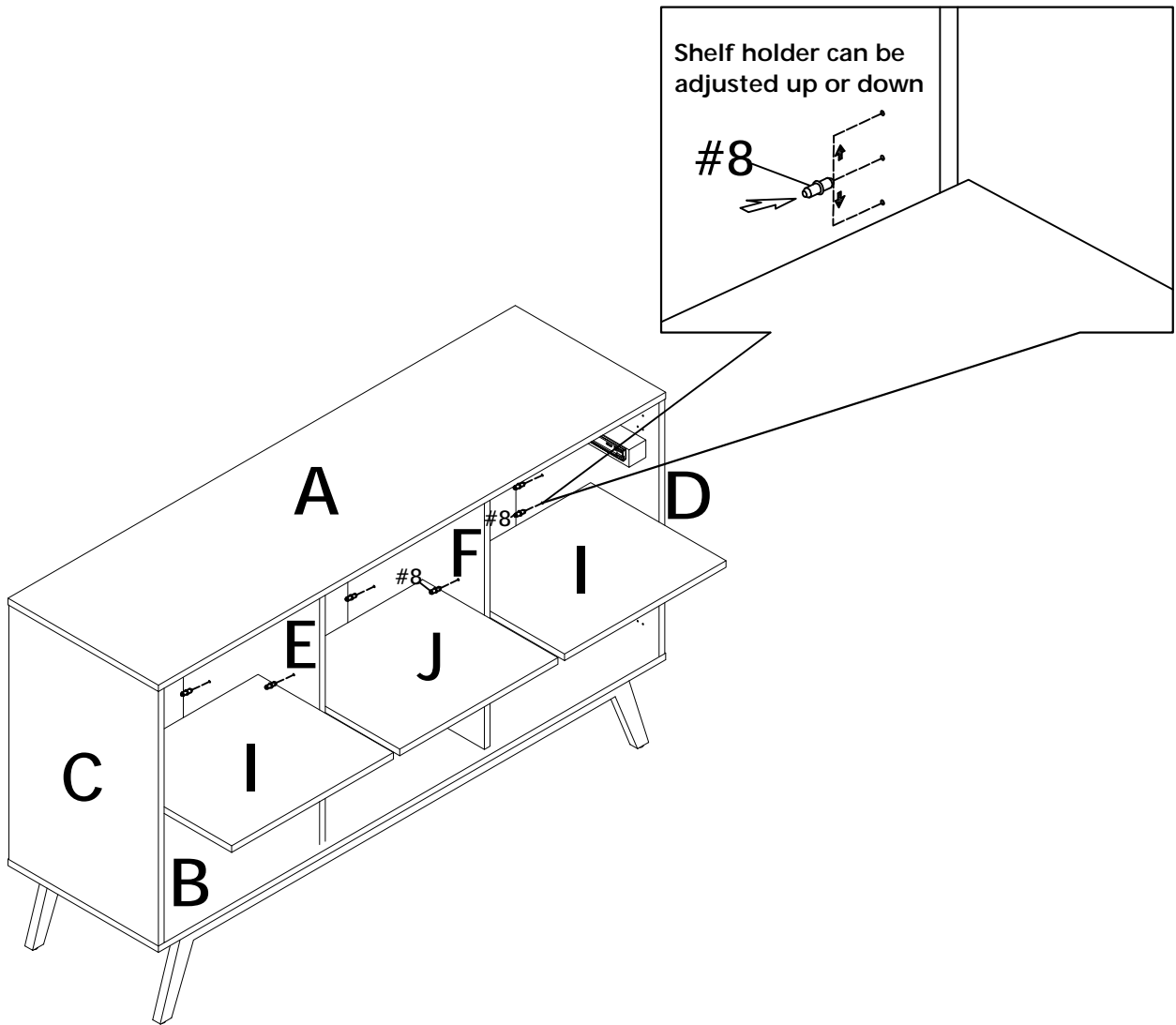
STEP17: Slide in the drawer into cabinet as the picture show.
You can adjust the distance between drawer and the cabinet.




ASSEMBLY INSTRUCTIONS

STEP-18

1. Insert shelf pin #8 into pre-assemble unit at step 18. attach adjustable shelf I&J to pin #8.



#8	x18
	

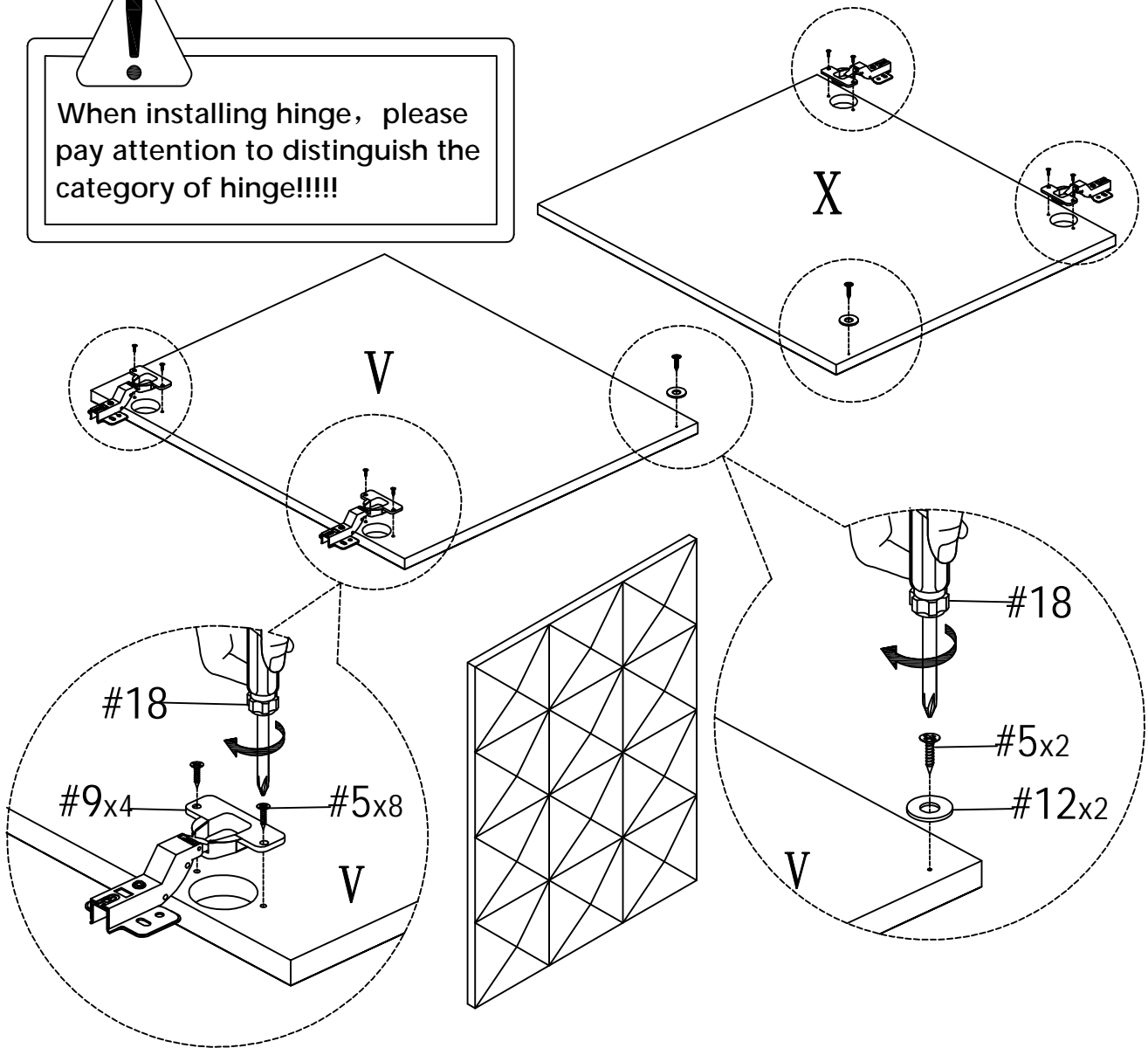
ASSEMBLY INSTRUCTIONS

STEP-19

1. Use screw #5 to attach the hinges #9 to door panel (V&X), tighten screws #5 with screwdriver #18.
2. Use screw #5 to attach the part #12 to door panel (V&X), tighten screws #5 with screwdriver #18.



When installing hinge, please pay attention to distinguish the category of hinge!!!!

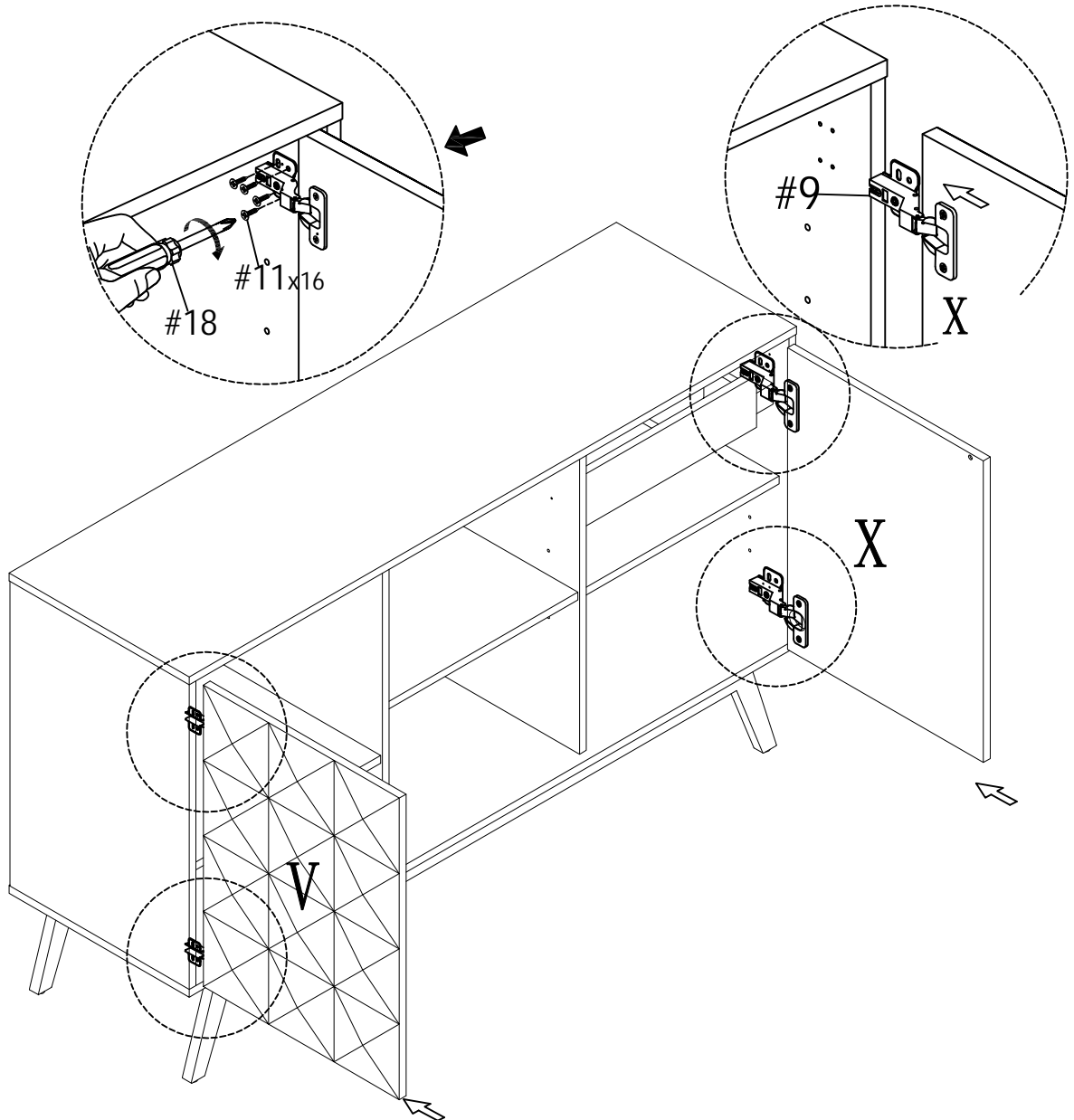



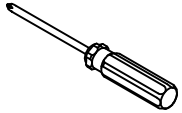
#5	x10	#12	x2	#9	x4	#18	x1
M3.5*14mm							

ASSEMBLY INSTRUCTIONS

STEP-20

1. Use screw #11 to attach left door (V) and right door (X) to pre-assemble unit at step 18 ,tighten screw #11 with screwdriver #18 .

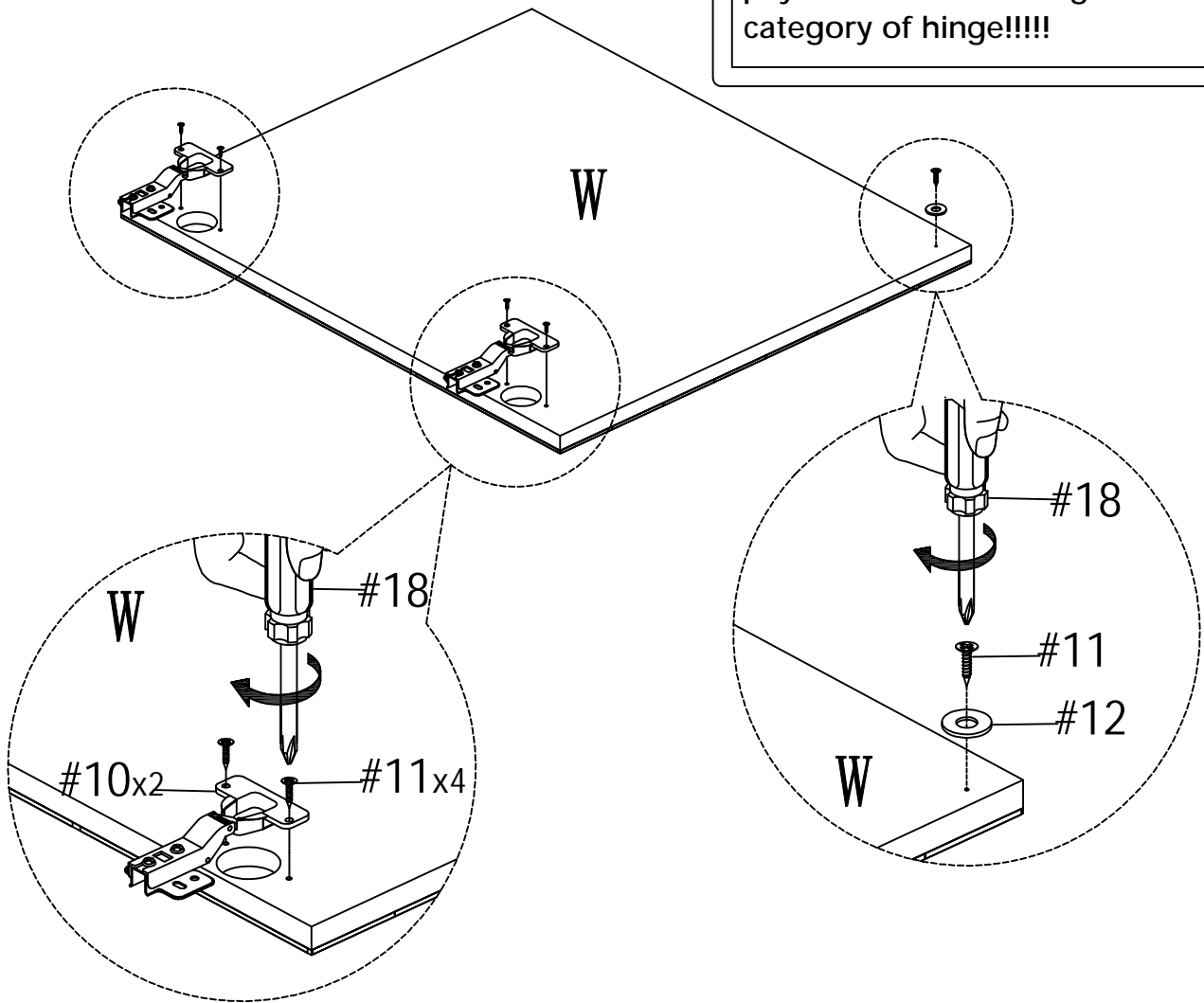




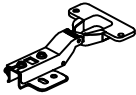
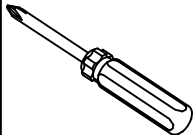
#11	x16	#18	x1
			
M3.5x14mm			

ASSEMBLY INSTRUCTIONS

STEP-21

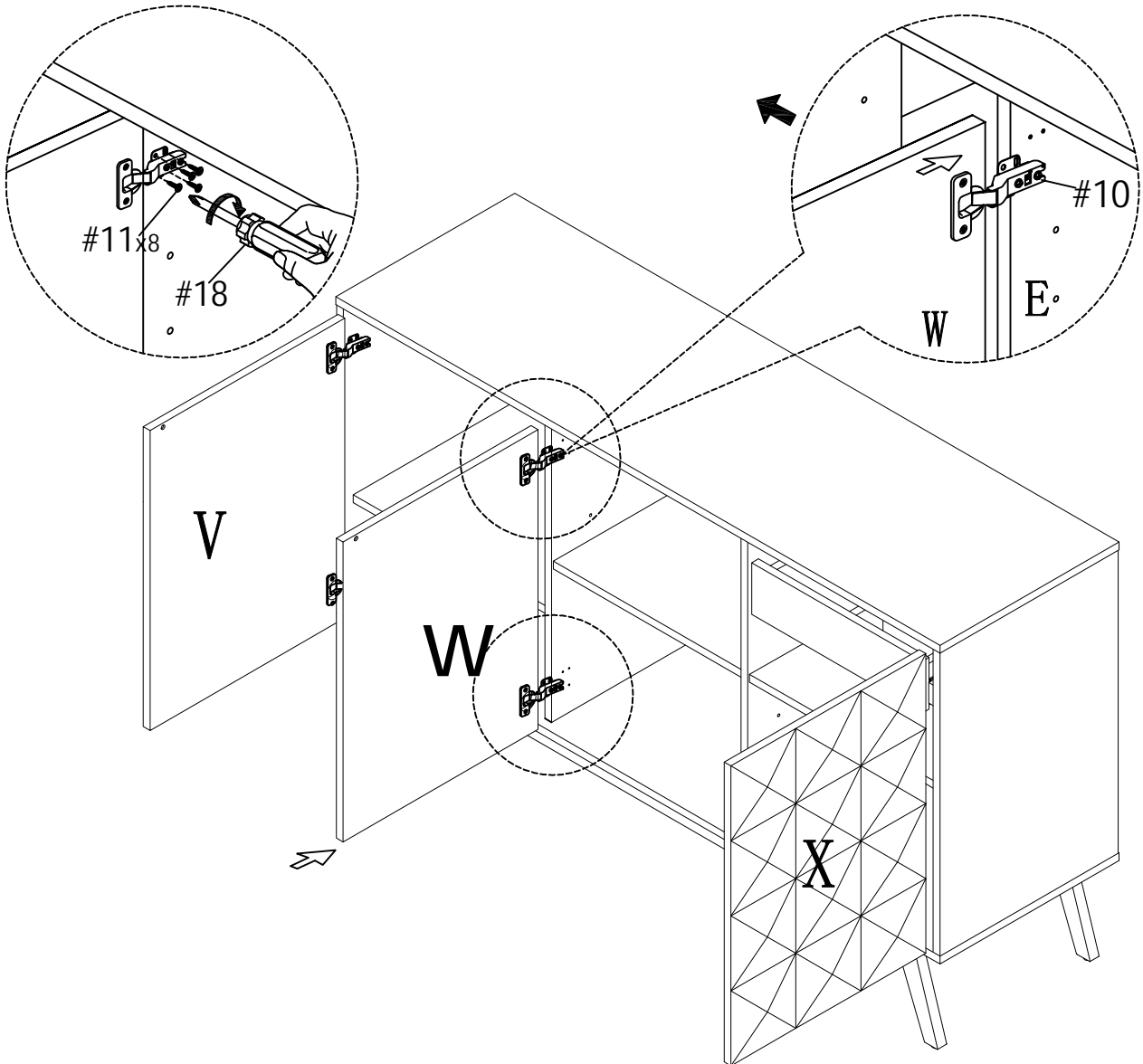
1. Use screw #11 to attach the hinges #10 to door panel (W), tighten screws #11 with screwdriver #18.
2. Use screw #11 to attach the part #12 to door panel (W), tighten screws #11 with screwdriver #18.




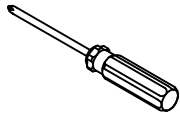
#11 x5	#12 x1	#10 x2	#18 x1
			
M3.5*14mm			

ASSEMBLY INSTRUCTIONS

STEP-22



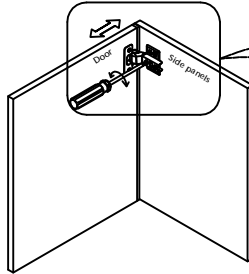
#11	x8
	
M3.5x14mm	

#18	x1
	

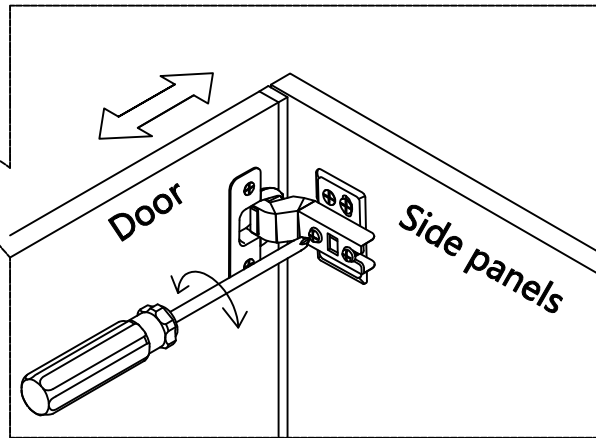
ASSEMBLY INSTRUCTIONS

STEP-23

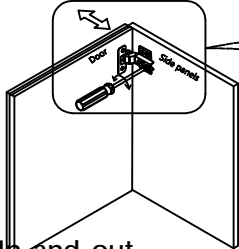
Concealed hinges are three-way adjustable:



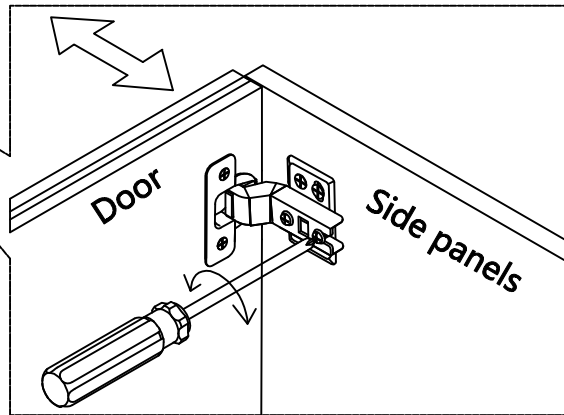
Horizontal
by screw adjustment!



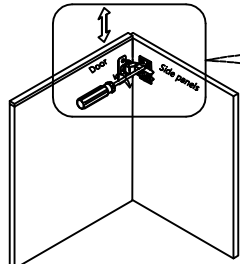
Concealed hinges are three-way adjustable:



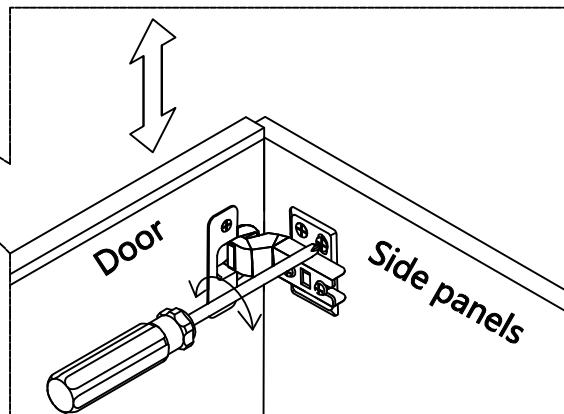
In-and-out
by loosening the hinge arm
mounting screw or via cam
adjustment!



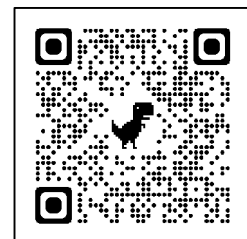
Concealed hinges are three-way adjustable:



Vertical via slots in
the mounting plate
or via cam
adjustment!



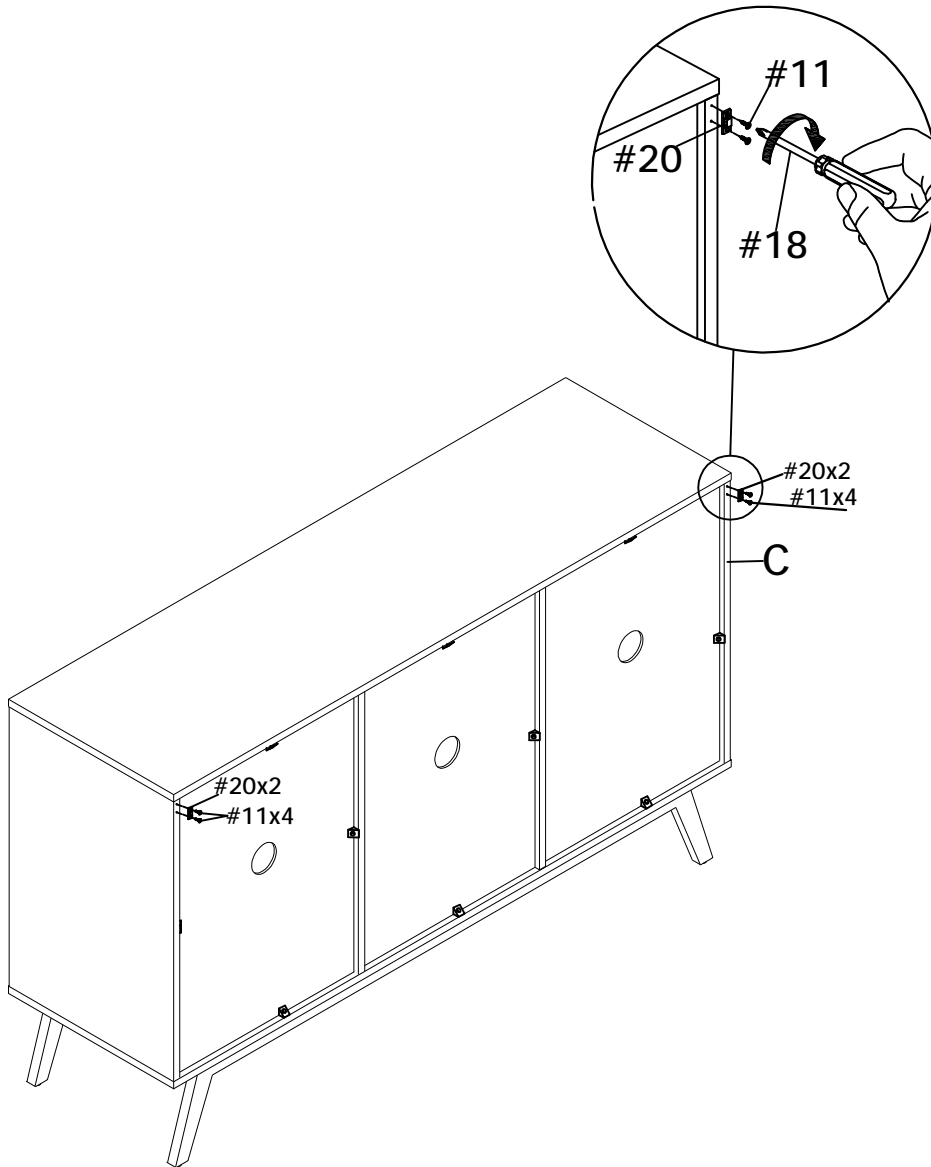
Hinge adjustment method



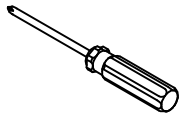


ASSEMBLY INSTRUCTIONS

STEP-24

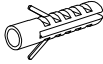
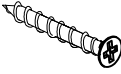

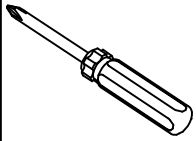
1. Use screw #11 to attach part #20 to pre-assemble unit at step 24, tighten screws with screwdriver #18.



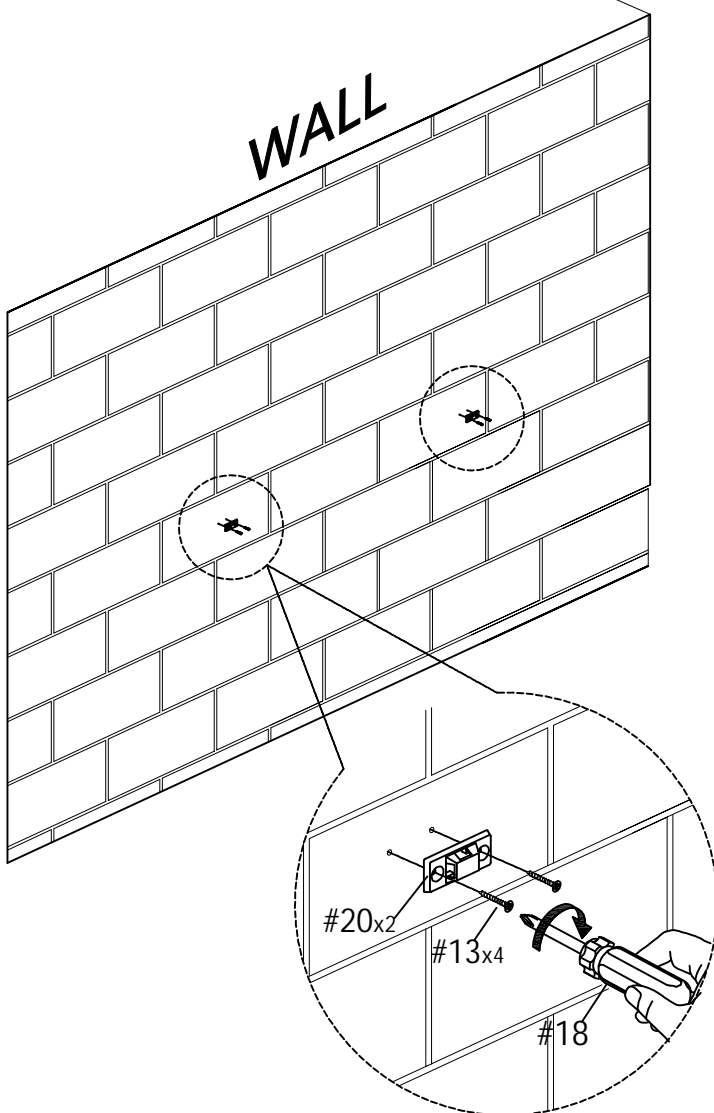
#20	x2	#11	x4	#18	x1
					
		M3.5x14mm			

ASSEMBLY INSTRUCTIONS

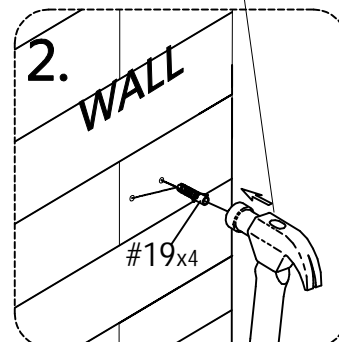
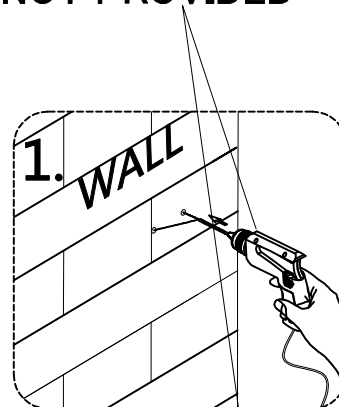
STEP-25

#19 x4	#13 x4	#20 x2	#18 x1
			
φ8*30mm	M4*35mm		

1. Install the anti-collapse device.
2. Mark the position on the wall, that corresponds to the location of part B15 on the top of panel (A11); Drill and insert the expandable screw B14 by electric drill.
3. Assemble the part B15 to the wall. Align the hole in the part B15 with the expandable screw B14, use screw B5 to attach it and tighten by screwdriver B18.



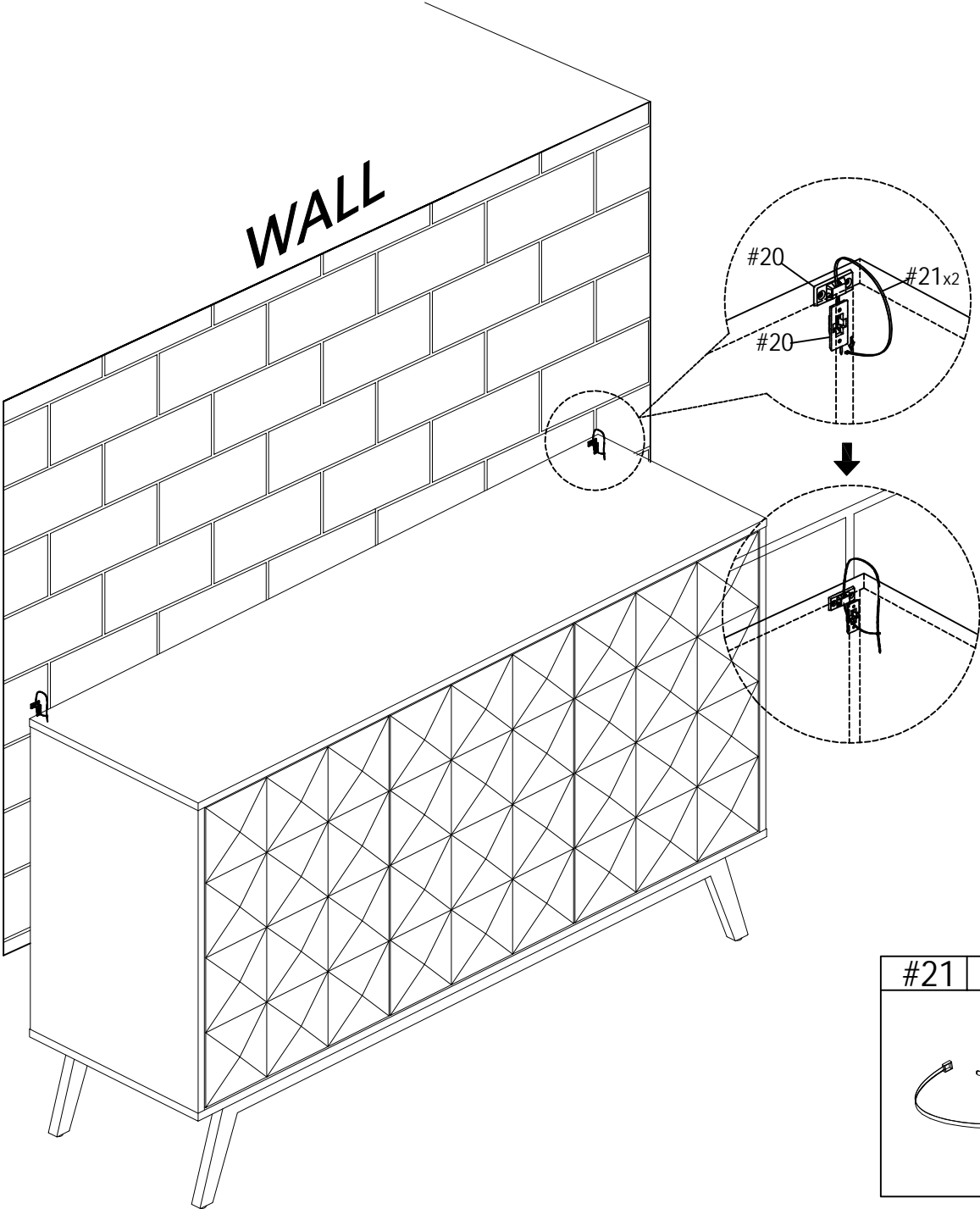
NOT PROVIDED



ASSEMBLY INSTRUCTIONS

STEP-26

1. Let the plastic belt B16 pass through the both part B15 and pull tightly.



#21	x2

WARRANTY

1. We strive to offer high-quality products, and we also try our best to satisfy each and every customer that orders from us with product or service as needed.
2. We provide 30 days warranty starting from the time you receive the item. Each customer must provide a record of their order such as the order number, or item receipt for any items that are out of the warranty period you may also still receive.
3. Replacement parts by purchasing them with our company if they are available.

Appreciate your purchasing from us.
Pop up your life by our furniture piece!