

ASSEMBLING & INSTALLATION INSTRUCTIONS

The drawing shown may not exactly match the product enclosed.
However, the installation instructions do apply to this product.

- ◆ **WARNING! SHUT POWER OFF AT FUSE OR CIRCUIT BREAKER.**
- ◆ **ATTENTION! COUPER LE COURANT AU FUSIBLE OU UN DISJONCTEUR.**

ASSEMBLING THE FIXTURE (Fig.1)

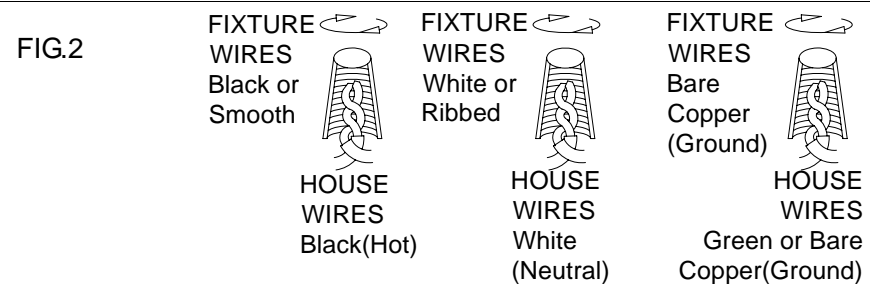
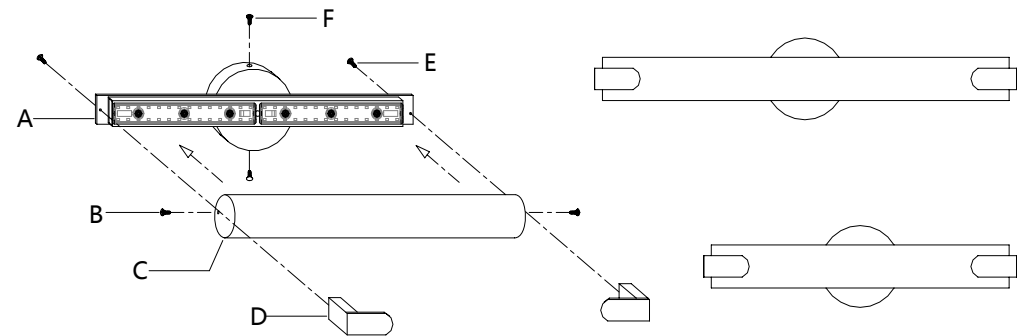
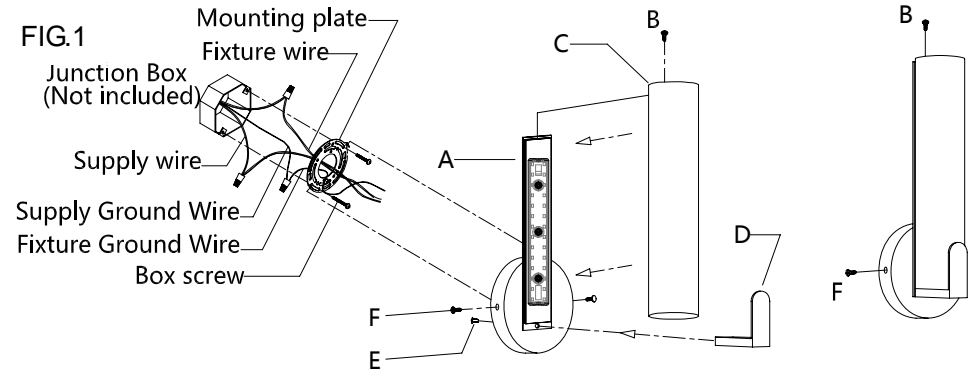
1. Shut off the power at the circuit breaker box. Remove old fixture and all hardware from Junction Box. Carefully unpack your new fixture and lay out all the parts on a clear area. Take care not to lose any small parts necessary for installation.
2. Disconnect power at main electrical panel before installation.
3. Attach the mounting plate to the junction box using two junction box screws as shown. The side of the mounting plate marked "GND" must face out. **The junction box is not included.**
4. This lamp luminary is LED, the manufacturer has been installed. Place the acrylic shade(C) onto the square tube of the lamp body(A), aligning to the both of mounting holes with the mounting thread holes of the lamp body(A), lock it securely with the screws(B). Raise the arm(D) to the lamp body(A), aligning the end of arm's screw hole with the square tube's mounting hole, lock it securely with the screws(E).
5. Guide fixture wires through hole in center of mounting plate.
6. Follow wiring instructions carefully (see fig.2).
7. Attach the back plate of lamp body(A) onto the mounting plate, aligning the back plate holes with screw hole of the mounting plate on side, then lock it securely with mounting screws(F).

CONNECTING THE WIRES (Fig.2)

1. Connect the electrical wires as follows. Connect the Black wire from the fixture to the black house (hot) Wire. Connect the white wire from the fixture to the white (neutral) house wire. Make sure all wire nuts are secured. You may wrap the connections with electrical tape. If your outlet box has a ground wires (green or bare copper) connect fixture's ground wire to it. Otherwise attach the bare copper fixture wire to the green ground screw on the mounting plate.

2. Tuck the wire connections neatly into the wall junction box.

Your installation is now complete. Return power to the junction box and test the fixture.



Thank you for purchasing our product.
Need assistance with parts or assembly? Please call customer service