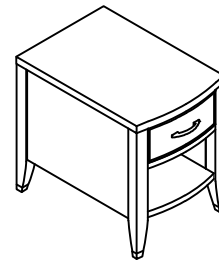


ASSEMBLY INSTRUCTIONS



TOOLS REQUIRED:

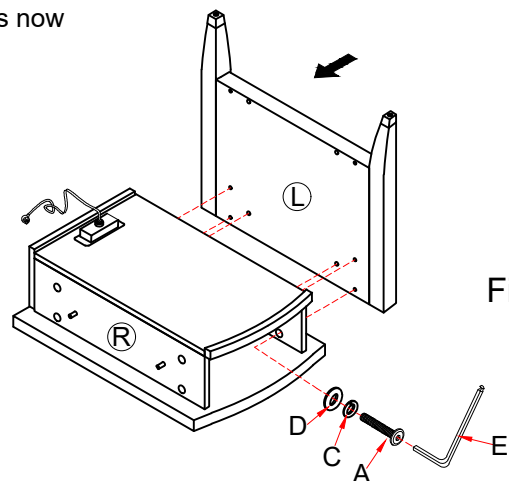
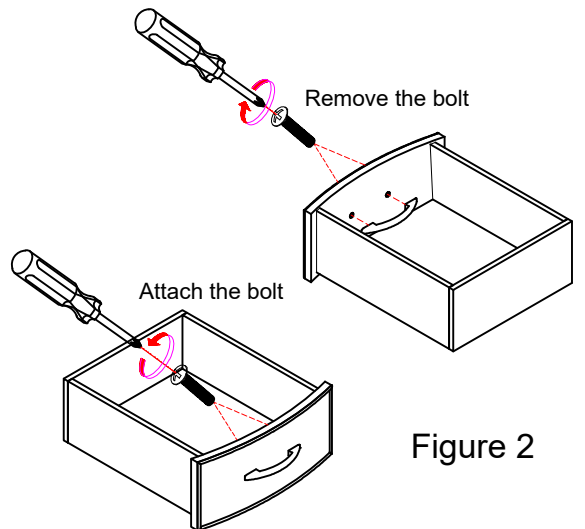
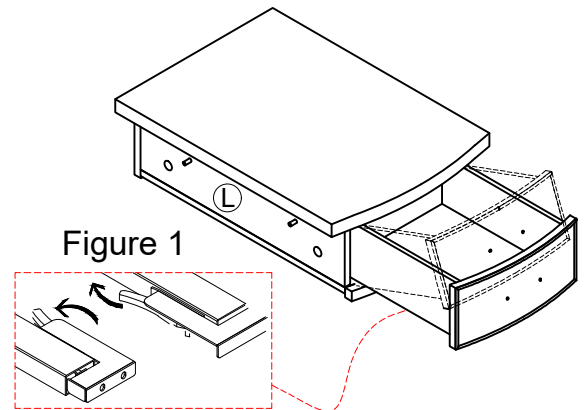
- Allen Key (supplied, Part # E)
- Screwdriver (Not Provided)

BEFORE YOU START:






1. Check the hardware against the hardware list to make sure all items are present.
2. Assemble your furniture on a soft, flat surface to avoid scratching the finish.
3. **CAUTION:** Do not over tighten screws, nuts or bolts during assembly.
4. Your furniture may require occasional tightening.

INSTRUCTIONS:

1. Put Table on to a clean, soft surface. Pull the drawer out by hands then press the locking device with your hands softly in the direction of the arrow and remove the drawer. (See Figure 1).
2. Remove the bolts and handle to install on the outside. (See Figure 2).
3. Turn the Table upside down on to a clean, soft surface. Attach leg frame (left) on the table using Flat washer (D), Lock Washer (C) Bolt (A) with Allen Key (E). (See Figure 3).
4. Attach bottom shelf on the table using Flat washer (D), Lock Washer (C) Bolt (B) with Allen Key (E) and attach leg frame (right) on the table using Flat washer (D), Lock Washer (C) Bolt (A) with Allen Key (E). (See Figure 4).
5. Place the table upright. Fully open the slides, push the drawer down on the slides, then close the drawer. (See Figure 5).
6. Adjust the level up and down to level the table. Your table is now ready for use.



ASSEMBLY INSTRUCTIONS

No.	Hardware List		Q'ty
A		Bolt Ø1/4 x 1-1/4"	8
B		Bolt Ø1/4 x 1-3/4"	4
C		Lock Washer Ø1/4"	12
D		Flat Washer Ø1/4"*Ø3/4	12
E		Allen Key (100*50*4mm)	1

TOOLS REQUIRED:

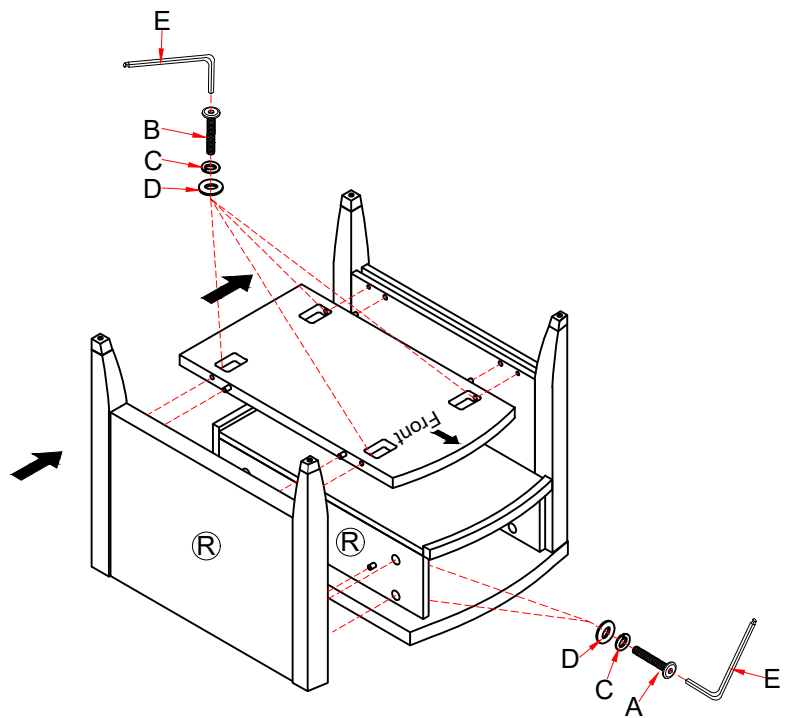
Allen Key (supplied, Part #E)
Screwdriver (Not Provided)

BEFORE YOU START:

1. Check the hardware against the hardware list to make sure all items are present.
2. Assemble your furniture on a soft, flat surface to avoid scratching the finish.
3. **CAUTION:** Do not over tighten screws, nuts or bolts during assembly.
4. Your furniture may require occasional tightening.

INSTRUCTIONS:

Figure 4



ASSEMBLY INSTRUCTIONS

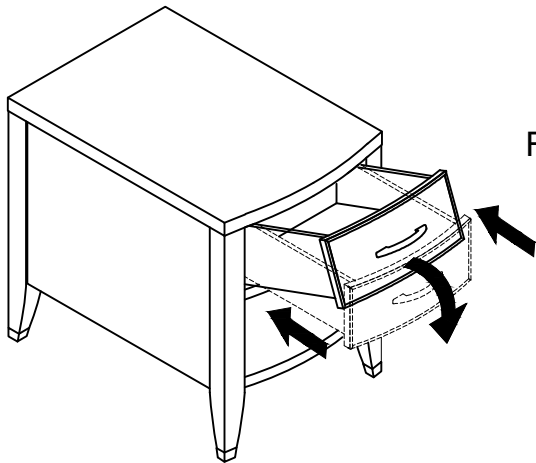


Figure 5