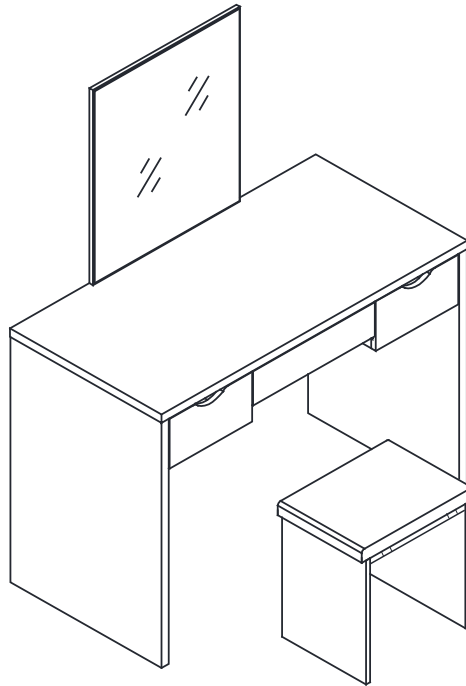


ASSEMBLY INSTRUCTIONS

Thank you for purchasing

Please read the instructions carefully to ensure safe operation of this product.



Dressing Table Size: 100 x 49.5 x 73 cm (WDH)

Stool Size: 40 x 29.5 x 44.5 cm (WDH)

Colours available: White, Oak or Walnut

Finish: Melamine

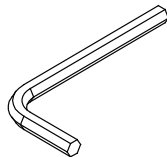
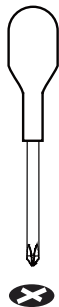
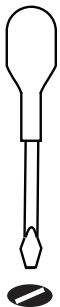
PLEASE READ this sheet prior to assembly to familiarise yourself with the various stages of construction.

Carefully open the pack supplied and check the contents against the parts and fittings check list. Do not destroy any of the packaging until you are certain that you have all the necessary parts for the assembly.

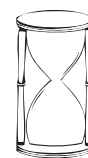
CAUTION: There are small components used in the construction of this unit. These loose items should be kept away from young children whilst assembling your unit to avoid the danger of choking.

You are advised to use the anti-tilt strap (N) to prevent any accidents.

Tools Required



Number of people



1 Hour
Set Up

ASSEMBLY INSTRUCTIONS

IMPORTANT - READ CAREFULLY - RETAIN THESE INSTRUCTIONS FOR FUTURE REFERENCE.

INFORMATION

- This product is designed to hold 10Kg in total. Do not exceed this weight.
- We recommend that this unit is assembled in the room intended for use.
- When you are ready to start, make sure that you have the right tools, plenty of space and a clean, dry area for assembly.
- Unwrap all packaging materials and place the components on top of the carton box or on a clean floor to prevent it from scratching.
- Check the pack and make sure you have all the parts listed.
- Ensure that this product is fully assembled as illustrated before use.
- Check all screws or bolts are tightened and inspect regularly
- Tools not included unless specified in parts list.

WARNINGS

- This product should only be used on a firm and level floor.
- Keep small parts out of reach of children.
- Make sure the base remains in contact with the floor.
- Please use the anti-tilt strap (N) to prevent any accidents.
- DO NOT use power tools to construct this product.
- DO NOT tighten screws until parts are assembled or as advised in this guide.
- DO NOT over tighten screws or bolts.
- DO NOT use this product if parts are missing, damaged or worn.
- DO NOT sit or stand on the Dressing Table.
- DO NOT stand on the stool.

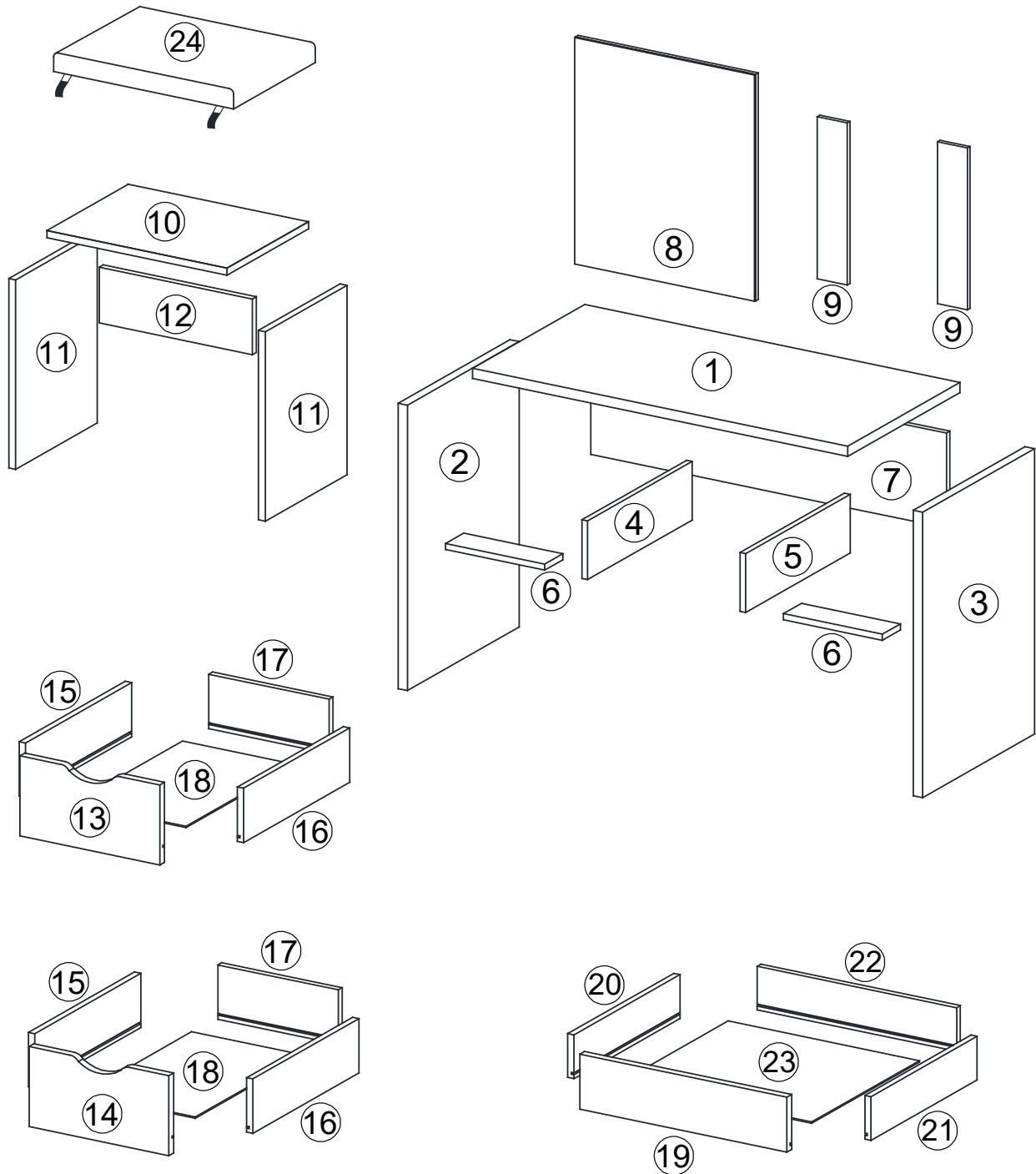
CARE INFORMATION

- Never use scourers, abrasives or chemical cleaners.
- To clean, wipe dresser with a damp sponge and warm soapy water.
- On fabric seat pad, use a light vacuum cleaner to remove any dust - do not use water to clean.
- Please note, seat pad is removable for washing but this may affect fire retardancy treatment.
- Do not use solvent based cleaners or detergents as they can bleach or damage the product.

Parts and Fittings Checklist

Please check the pack contents before assembling the product. If any components are missing, please contact your retailer.

The fittings pack contains small items that should be kept away from children.



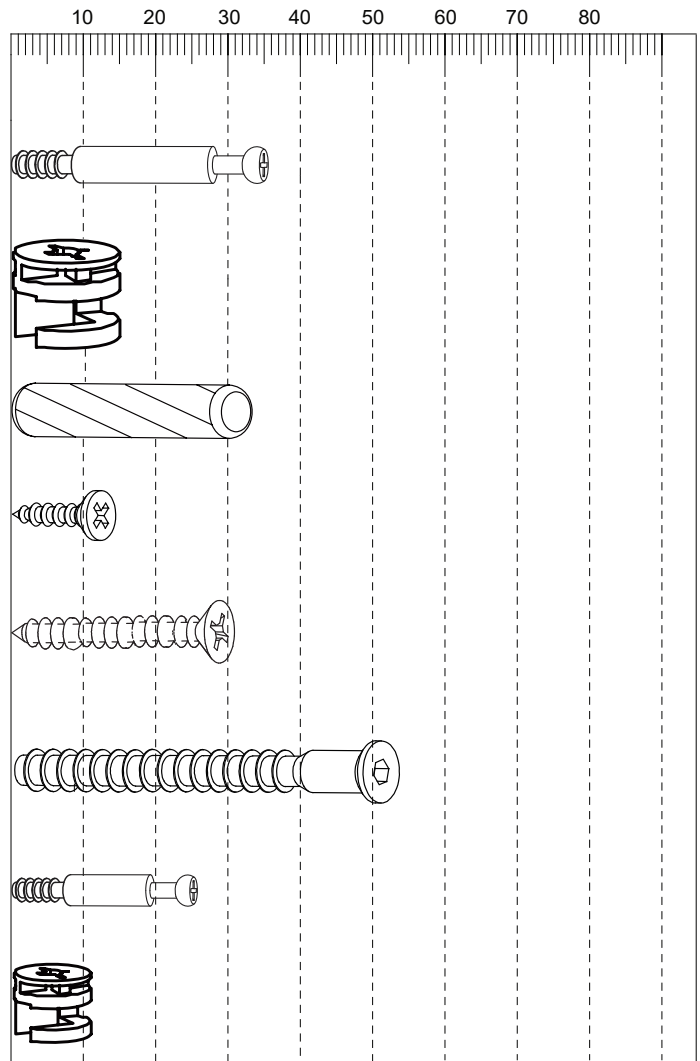
ASSEMBLY INSTRUCTIONS

All parts are packed in one carton

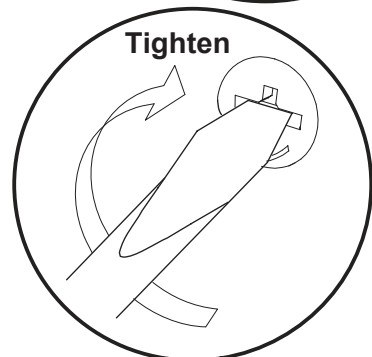
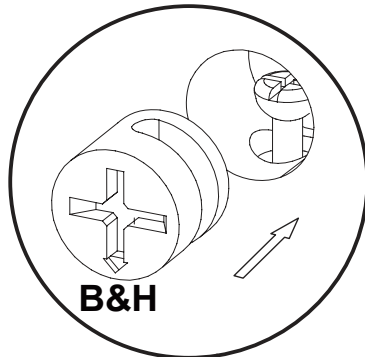
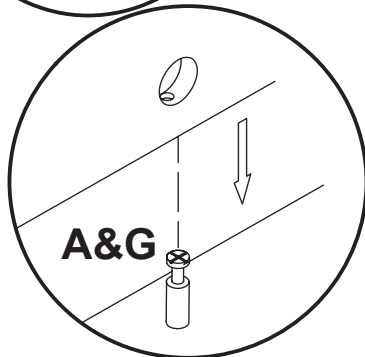
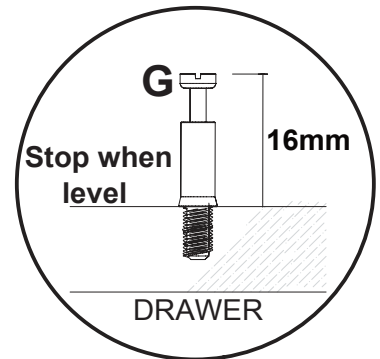
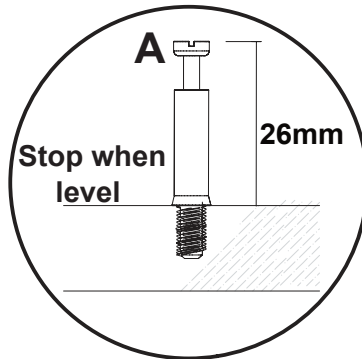
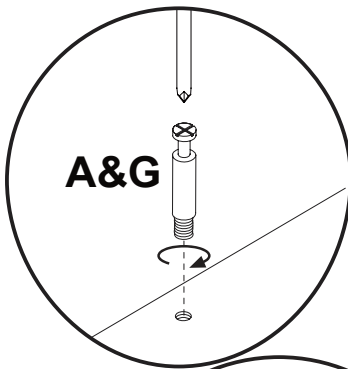
1	2	3
Description: Top Panel Qty: 1 Size: 1000 x 495 x 25 mm Carton No: 1/1	Description: LH Side Panel Qty: 1 Size: 705 x 493 x 25 mm Carton No: 1/1	Description: RH Side Panel Qty: 1 Size: 705 x 493 x 25 mm Carton No: 1/1
4	5	6
Description: LH Divider Panel Qty: 1 Size: 461 x 146 x 15 mm Carton No: 1/1	Description: RH Divider Panel Qty: 1 Size: 461 x 146 x 15 mm Carton No: 1/1	Description: Cross Rail Qty: 2 Size: 256 x 80 x 15 mm Carton No: 1/1
7	8	9
Description: Back Panel Qty: 1 Size: 948 x 235 x 15 mm Carton No: 1/1	Description: Mirror Qty: 1 Size: 565 x 480 x 18 mm Carton No: 1/1	Description: Mirror Supporting Rail Qty: 2 Size: 400 x 50 x 15 mm Carton No: 1/1
10	11	12
Description: Top Panel for Stool Qty: 1 Size: 400 x 295 x 15 mm Carton No: 1/1	Description: Side Panel for Stool Qty: 2 Size: 390 x 287 x 15 mm Carton No: 1/1	Description: Cross Rail for Stool Qty: 1 Size: 361 x 105 x 15 mm Carton No: 1/1
13	14	15
Description: LH Drawer Front Qty: 1 Size: 269 x 143 x 15 mm Carton No: 1/1	Description: RH Drawer Front Qty: 1 Size: 269 x 143 x 15 mm Carton No: 1/1	Description: Side Drawer LH Side Qty: 2 Size: 338 x 97 x 12 mm Carton No: 1/1
16	17	18
Description: Side Drawer RH Side Qty: 2 Size: 338 x 97 x 12 mm Carton No: 1/1	Description: Side Drawer End Qty: 2 Size: 232 x 97 x 12 mm Carton No: 1/1	Description: Side Drawer Base Qty: 2 Size: 346 x 216 x 3 mm Carton No: 1/1
19	20	21
Description: Centre Drawer Front Qty: 1 Size: 399 x 98 x 15 mm Carton No: 1/1	Description: Centre Drawer LH Side Qty: 1 Size: 338 x 78 x 12 mm Carton No: 1/1	Description: Centre Drawer RH Side Qty: 1 Size: 338 x 78 x 12 mm Carton No: 1/1
22	23	24
Description: Centre Drawer End Qty: 1 Size: 382 x 78 x 15 mm Carton No: 1/1	Description: Centre Drawer Base Qty: 1 Size: 346 x 366 x 3 mm Carton No: 1/1	Description: Cushion for stool Qty: 1 Size: 400 x 295 x 15 mm Carton No: 1/1

Fittings (to scale)

Code	Item	Quantity
A	Cam Bolt for Carcass (35mm overall)	26
B	Cam Lock for Carcass	26
C	Dowel (8x30mm)	20
D	Screw for Fitting Runner and Anti-tilt Strap (3x12mm)	25
E	Screw for Fitting Mirror and Drawer Parts (3.5x29mm)	20
F	Carcass Screw for Fitting Divider Panel (M7x50mm)	2
G	Cam Bolt for Drawer (25mm overall)	12
H	Cam Lock for Drawer	12

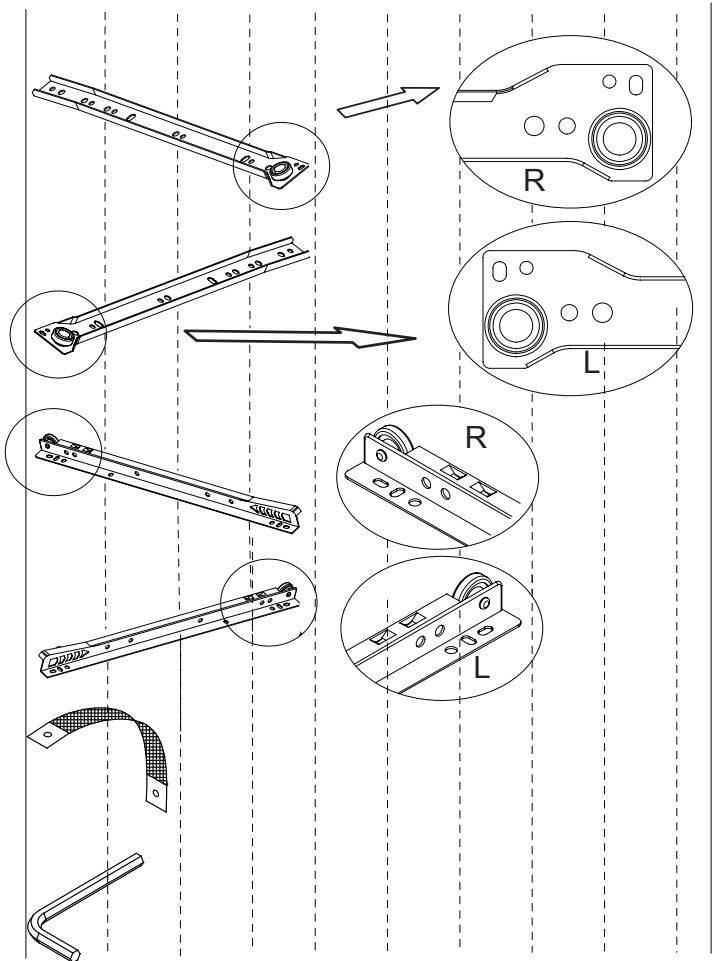


General Hints & Tips

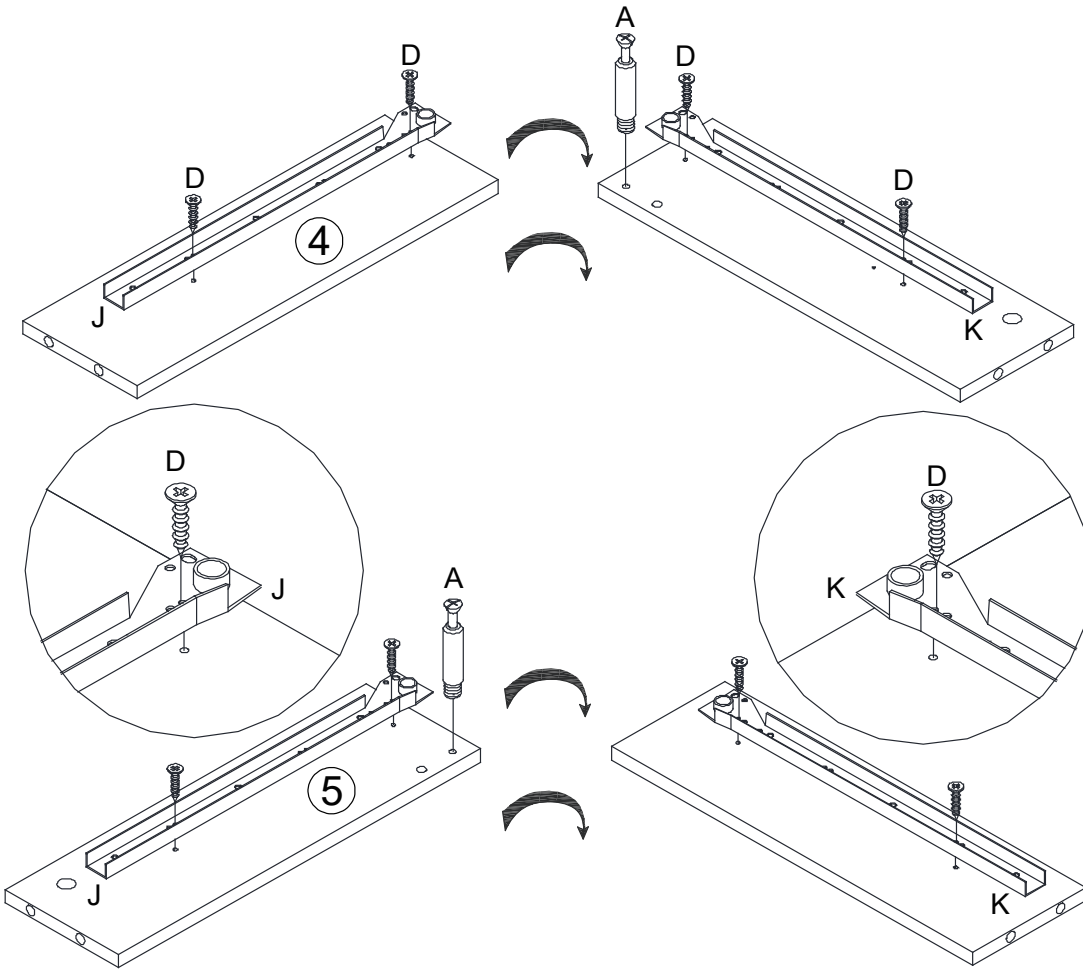


Fittings (not to scale)

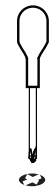
Code	Item	Quantity
J	Outer Drawer Runner - Right	3
K	Outer Drawer Runner - Left	3
L	Inner Drawer Runner - Right	3
M	Inner Drawer Runner - Left	3
N	Anti-tilt Strap	1
O	Allen Key (4mm)	1



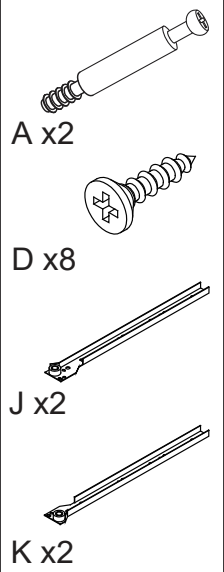
STEP 1



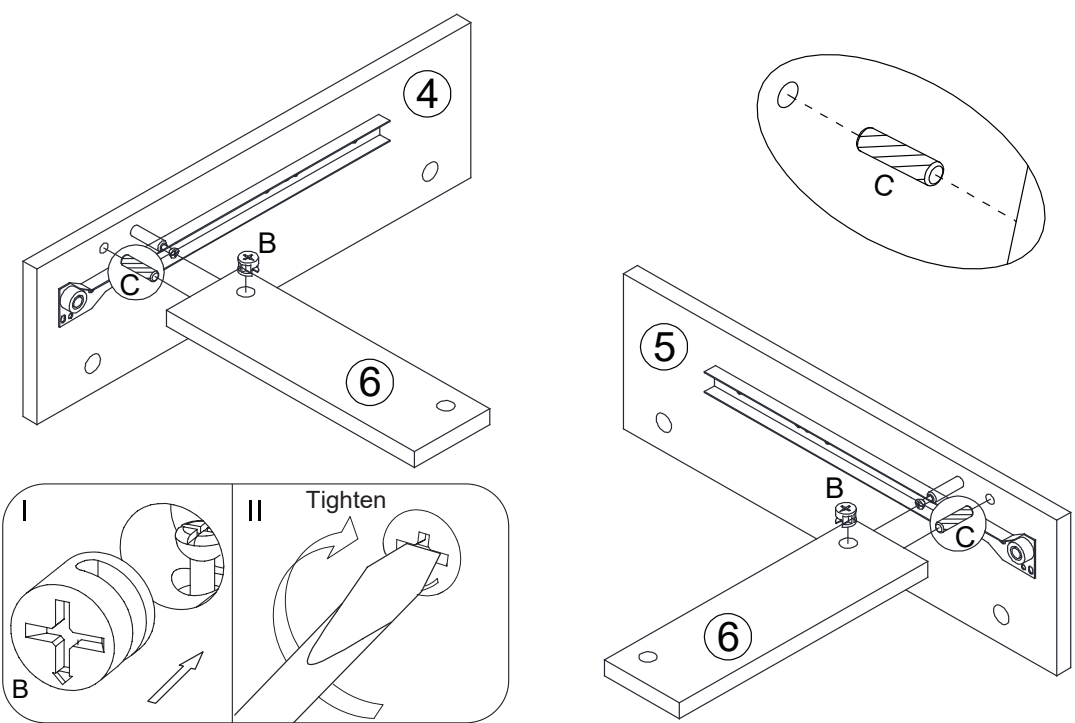
For this step:
Tools required



Fittings required



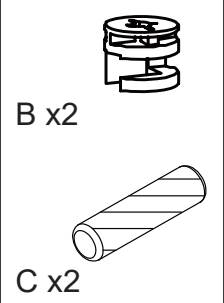
STEP 2



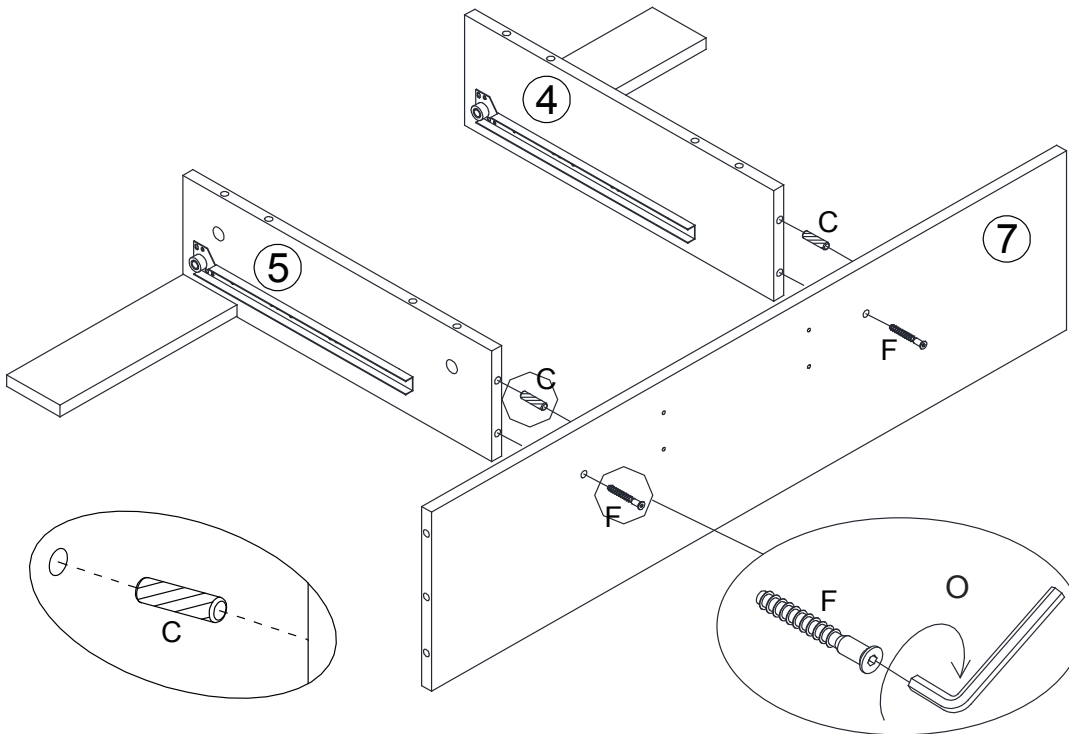
For this step:
Tools required



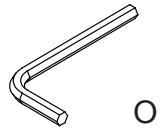
Fittings required



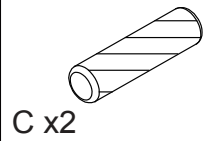
STEP 3



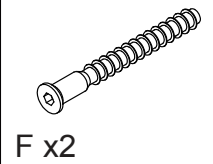
For this step:
Tools required



Fittings required

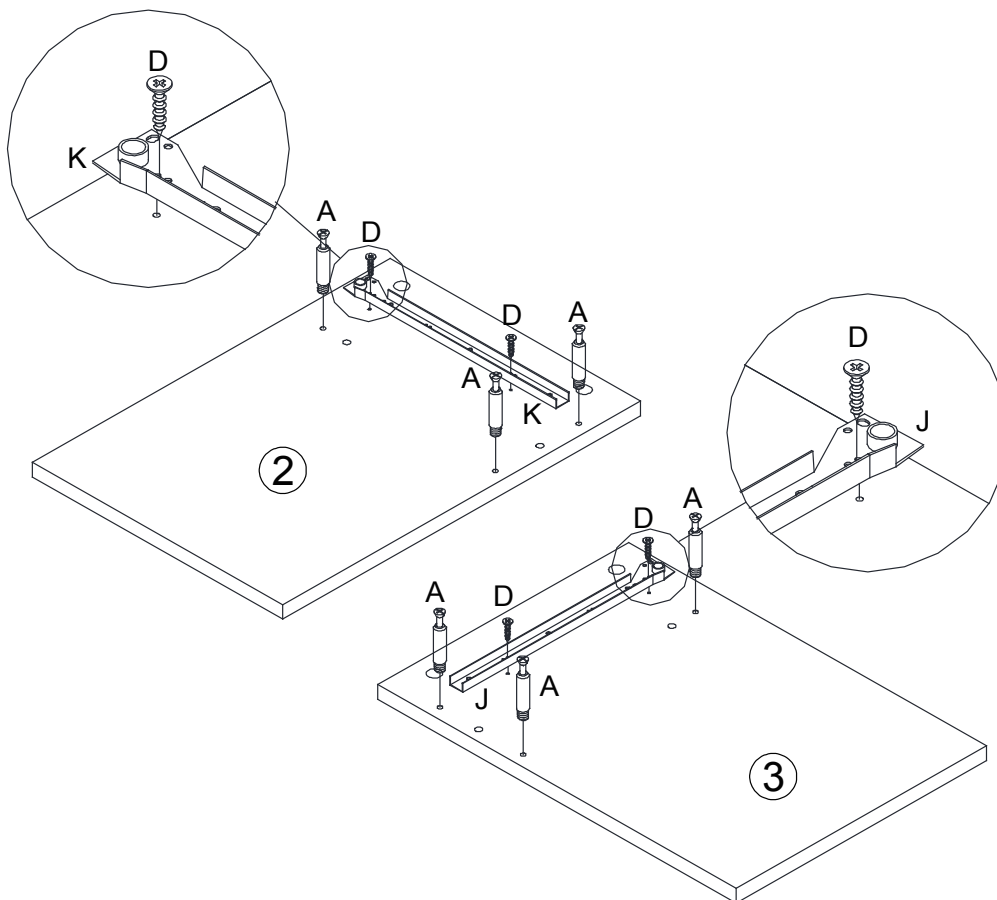


C x2

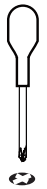


F x2

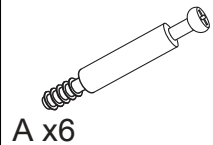
STEP 4



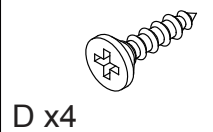
For this step:
Tools required



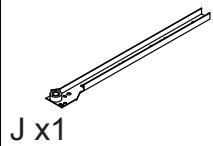
Fittings required



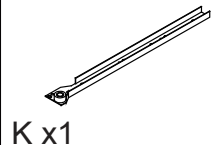
A x6



D x4

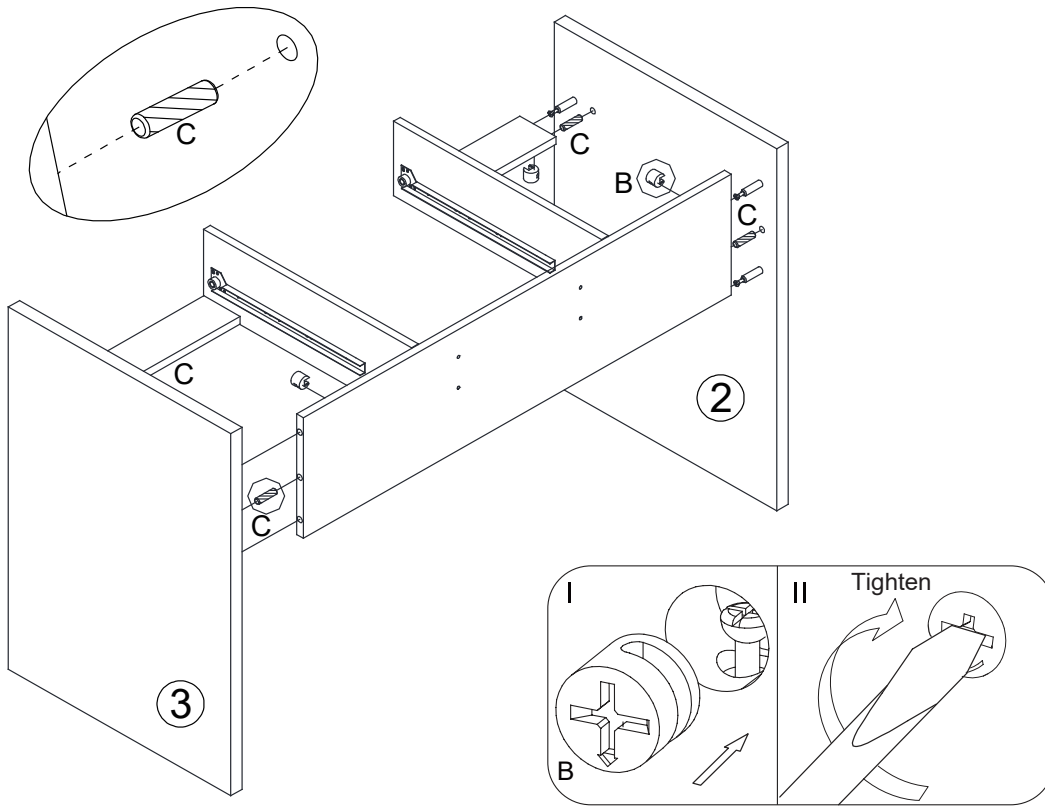


J x1

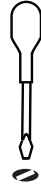


K x1

STEP 5



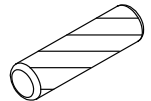
For this step:
Tools required



Fittings required

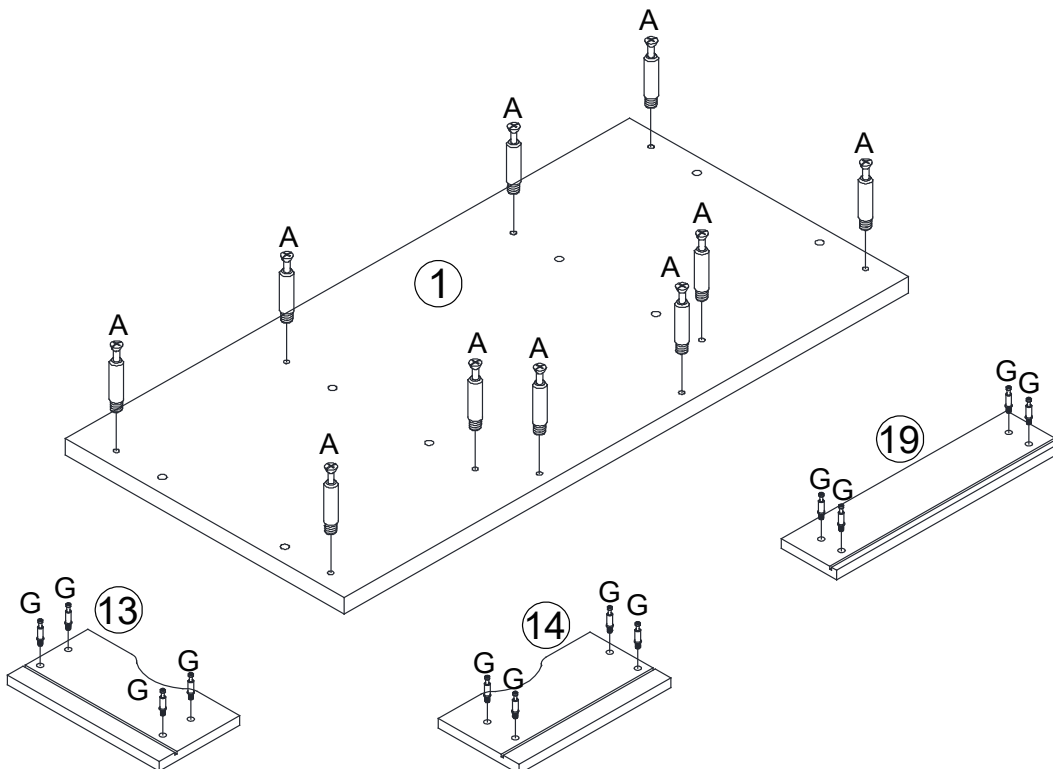


B x6



C x4

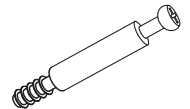
STEP 6



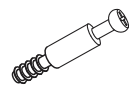
For this step:
Tools required



Fittings required

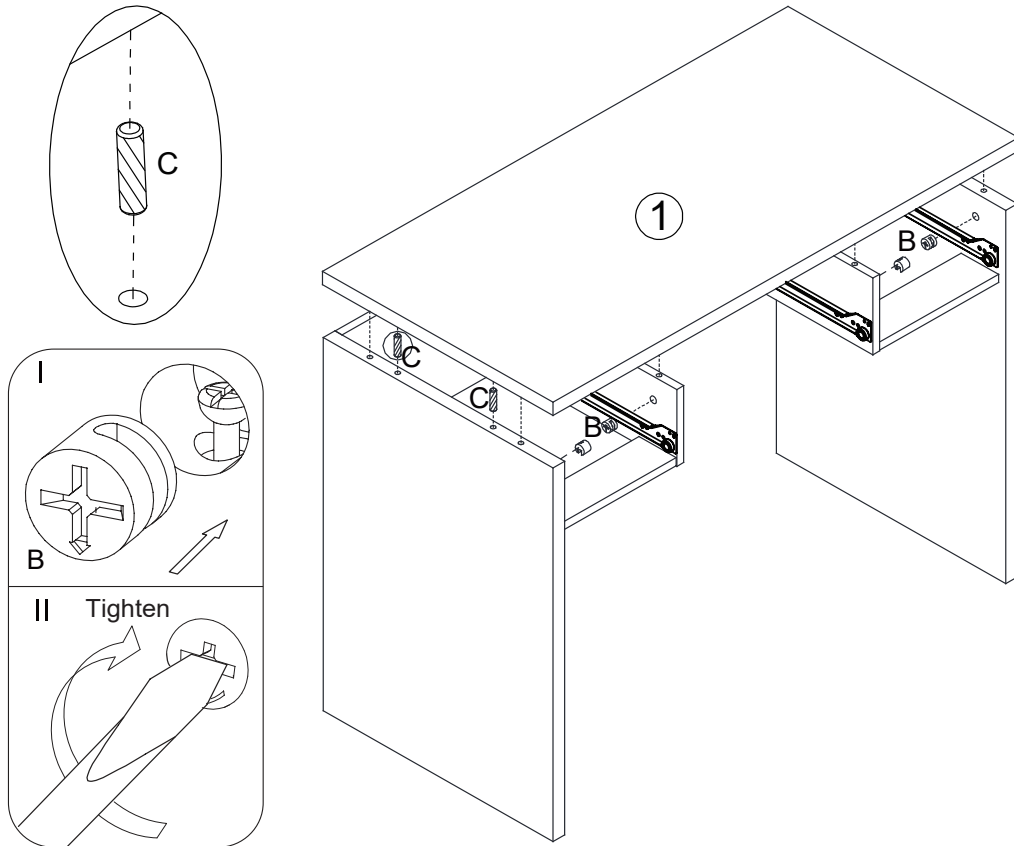


A x10



G x12

STEP 7



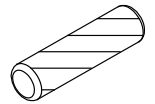
For this step:
Tools required



Fittings required

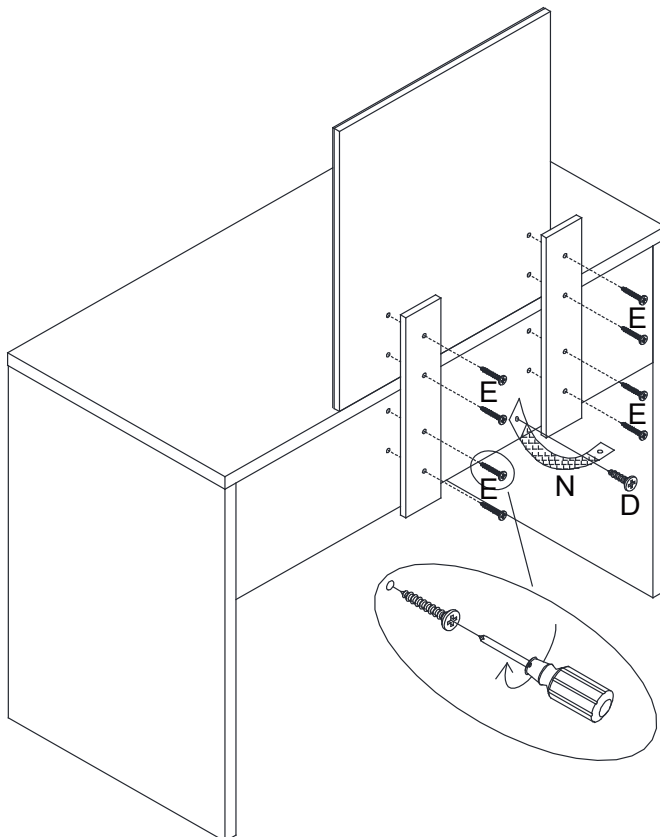


B x10

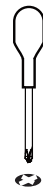


C x8

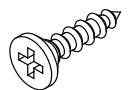
STEP 8



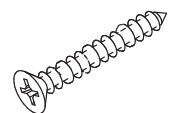
For this step:
Tools required



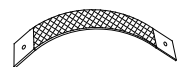
Fittings required



D x1

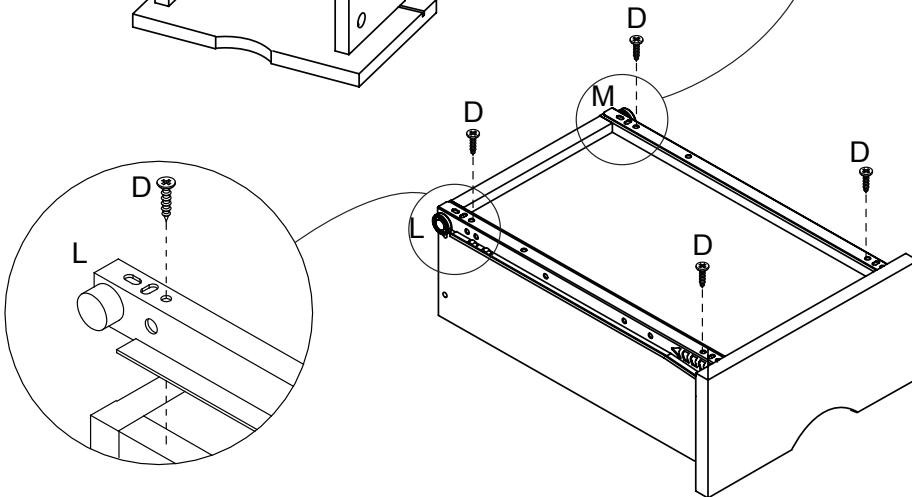
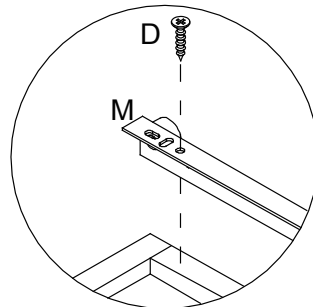
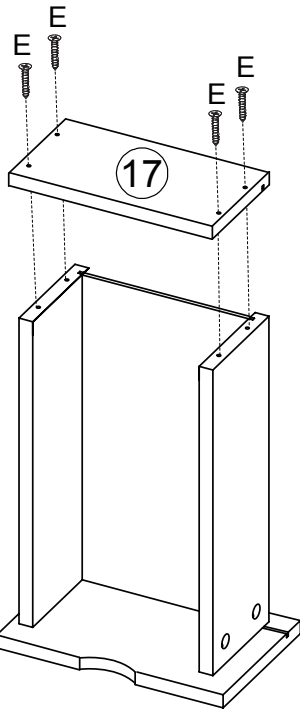
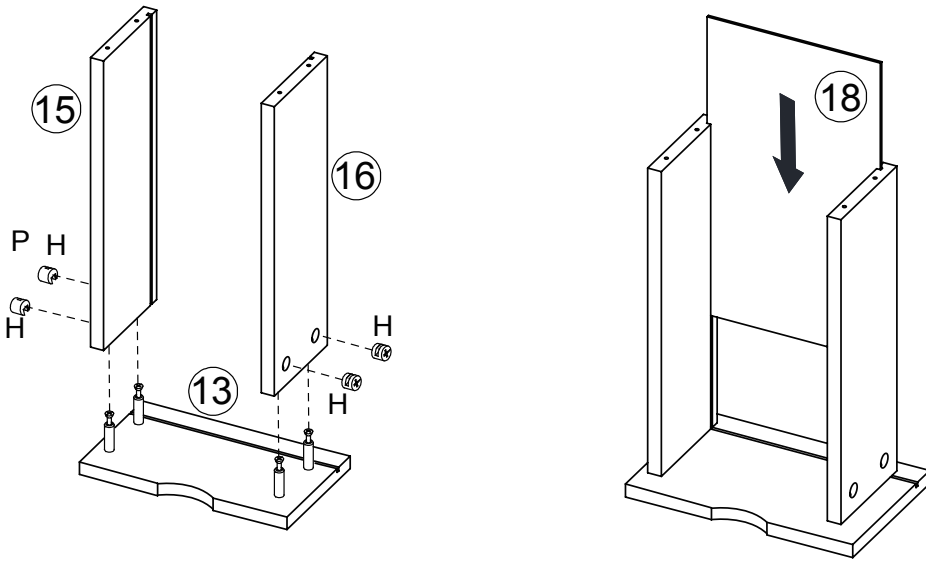


E x8



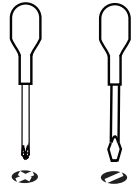
N x1

STEP 9

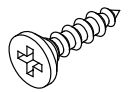


For this step:

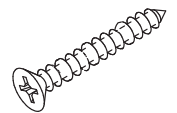
Tools required



Fittings required



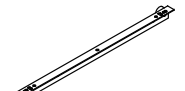
D x4



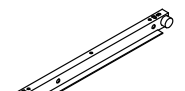
E x4



H x4

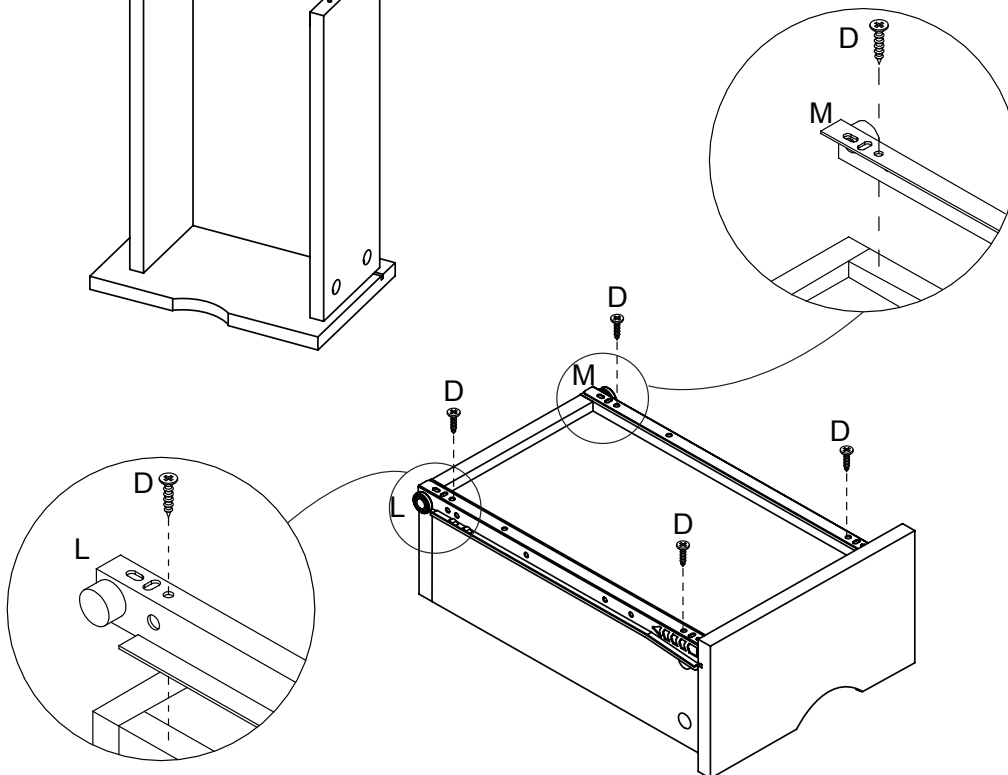
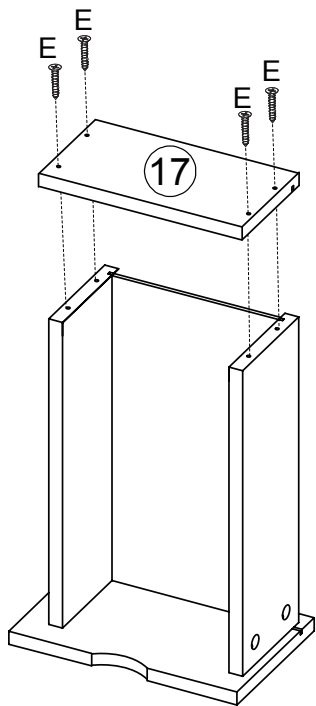
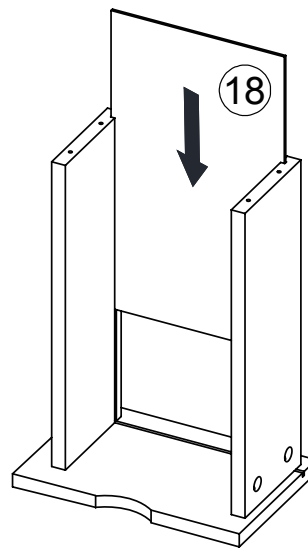
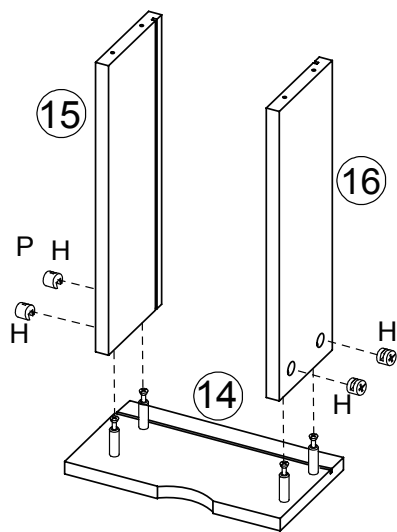


L x1

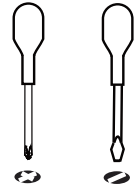


M x1

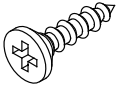
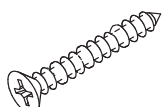

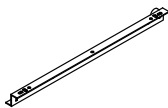
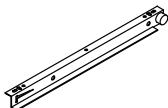
STEP 10



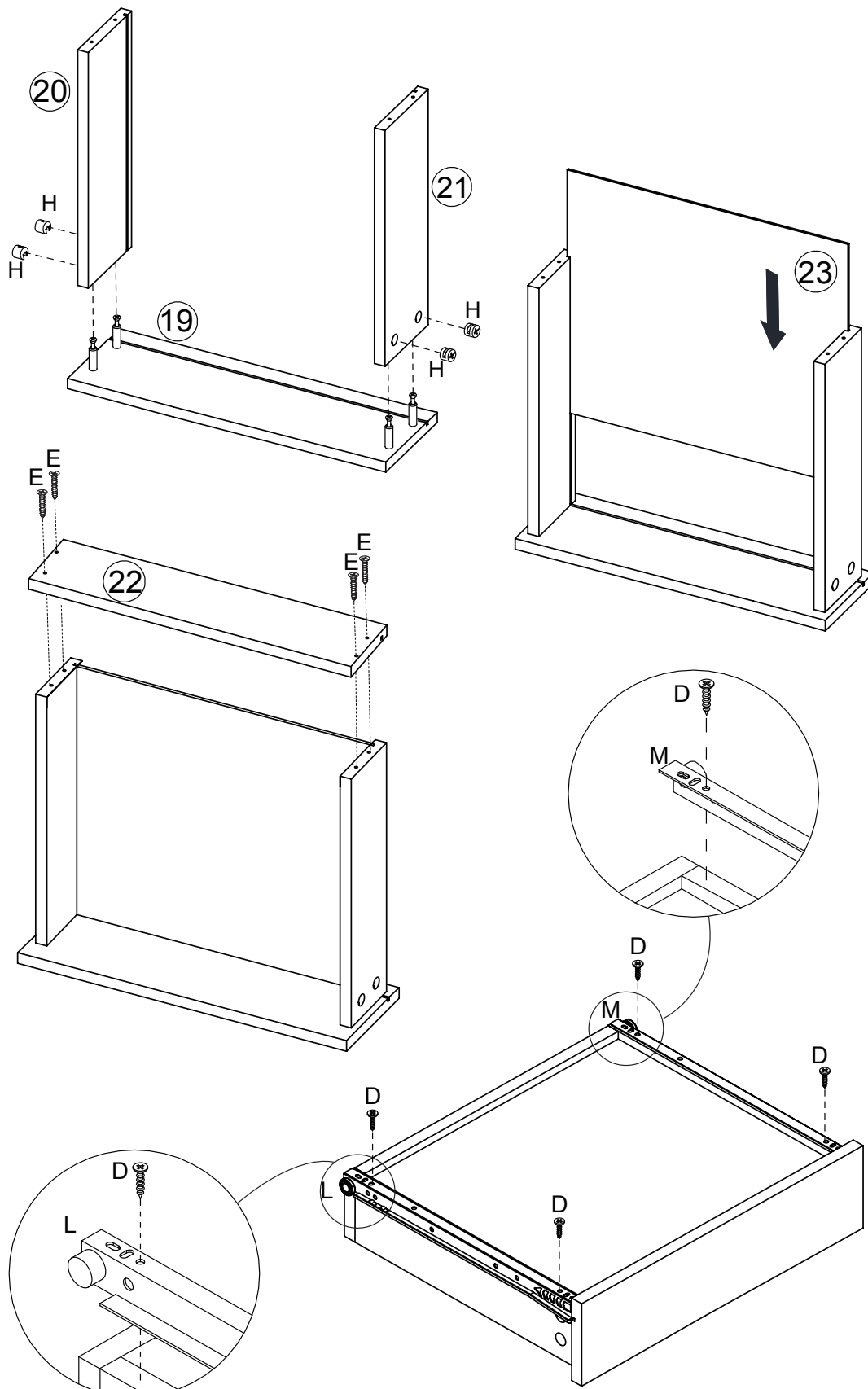
For this step:
Tools required



Fittings required

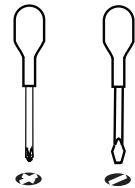
-  D x4
-  E x4
-  H x4
-  L x1
-  M x1

STEP 11

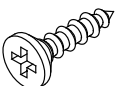
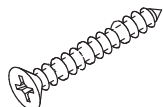

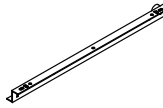
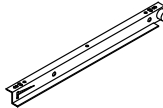


For this step:

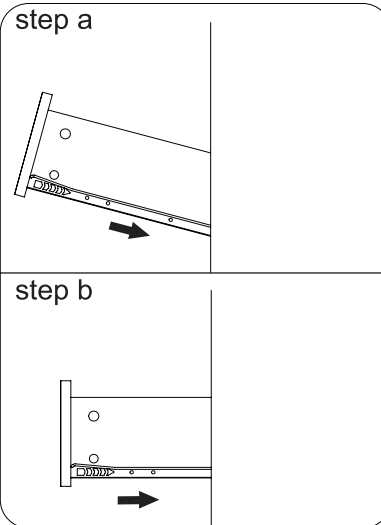
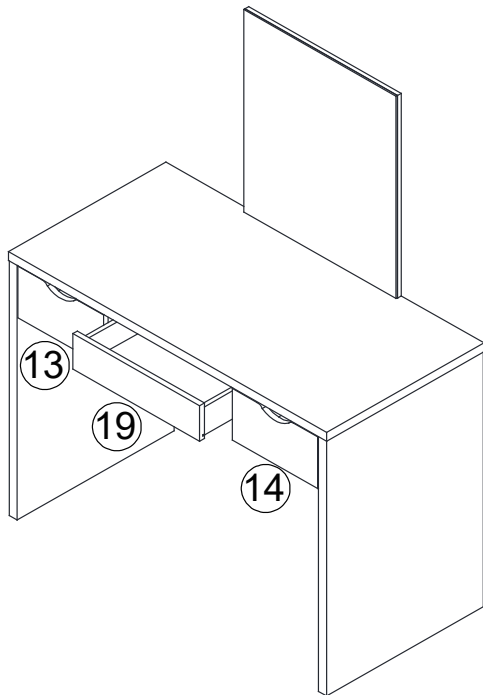
Tools required



Fittings required

-  D x4
-  E x4
-  H x4
-  L x1
-  M x1

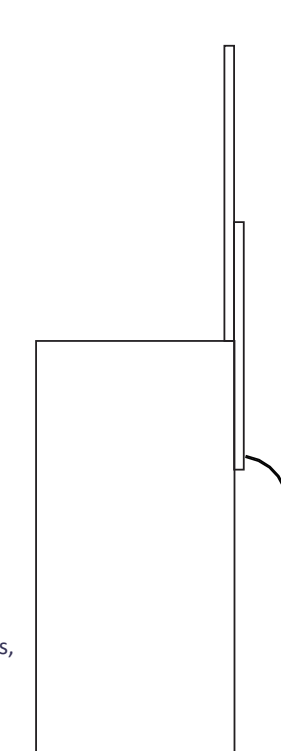
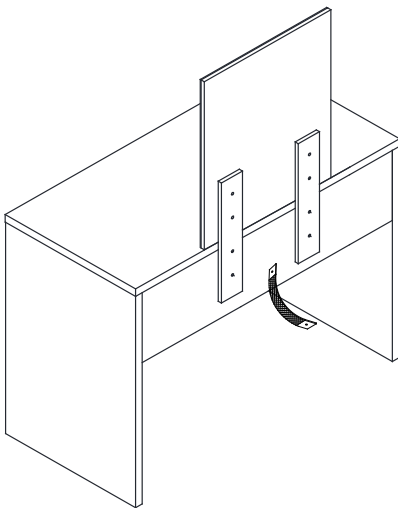
STEP 12



For this step:
Tools required

Fittings required

STEP 13



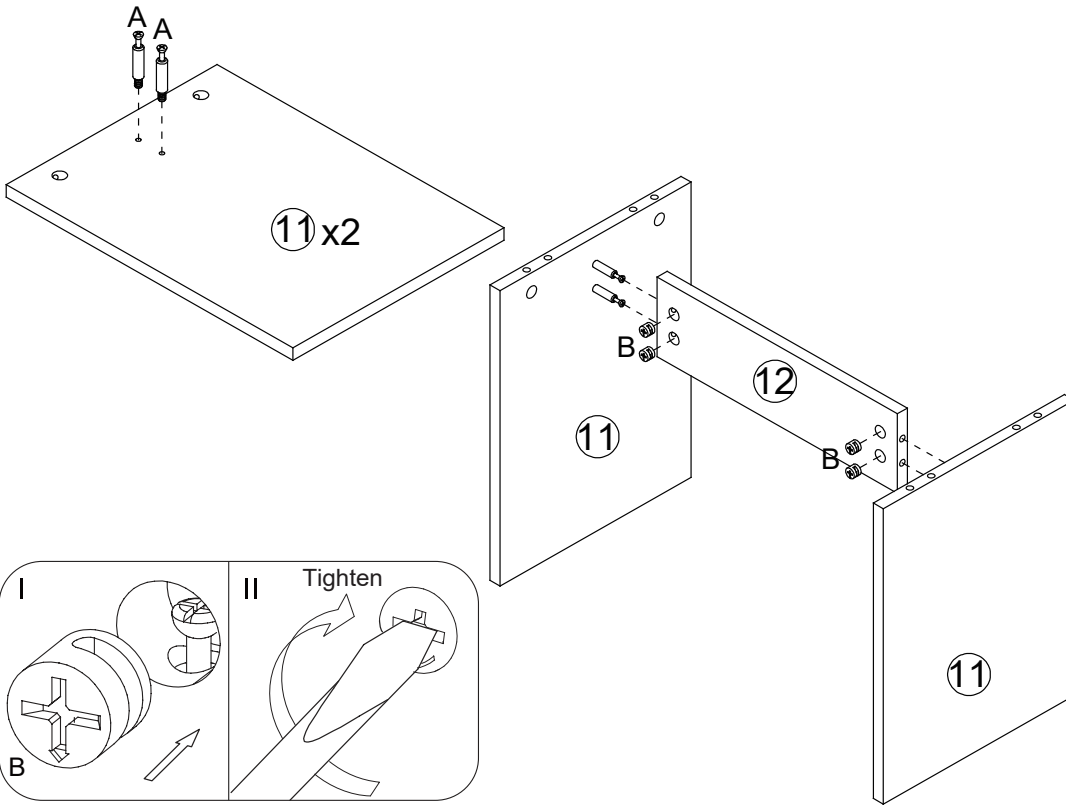
Note: We recommend the use of the wall strap provided (N) to avoid accidents and possible fatal injuries if the item falls over or tips over during use.

Warning: Always ensure the wall area to be drilled is free of electrical wires, water and gas pipes. We don't supply wall fixings as these must suit the wall type of your own home. In if doubt please consult a qualified trades person.

For this step:
Tools required

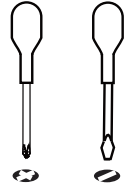
Fittings required

STEP 14

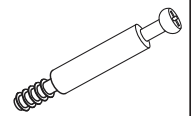


For this step:

Tools required



Fittings required

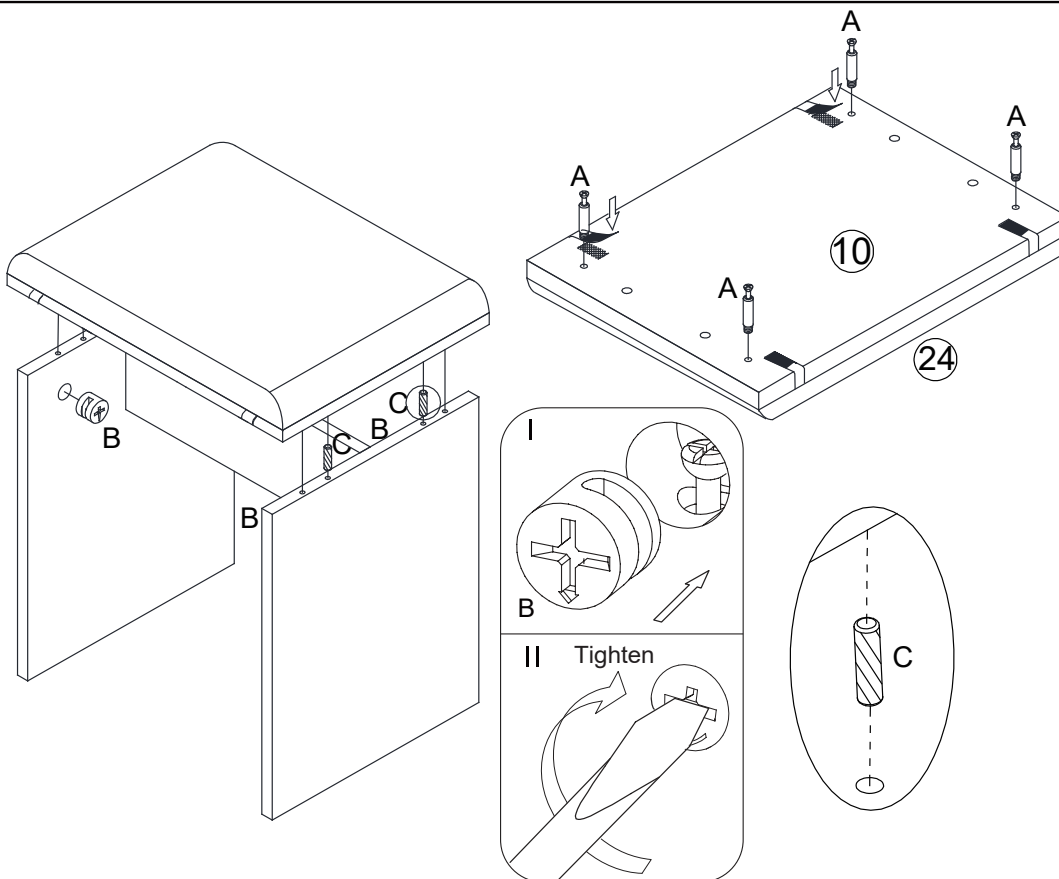


A x4



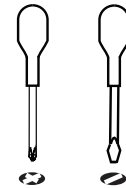
B x4

STEP 15

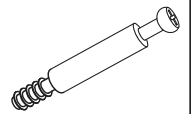


For this step:

Tools required



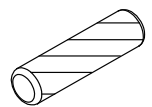
Fittings required



A x4



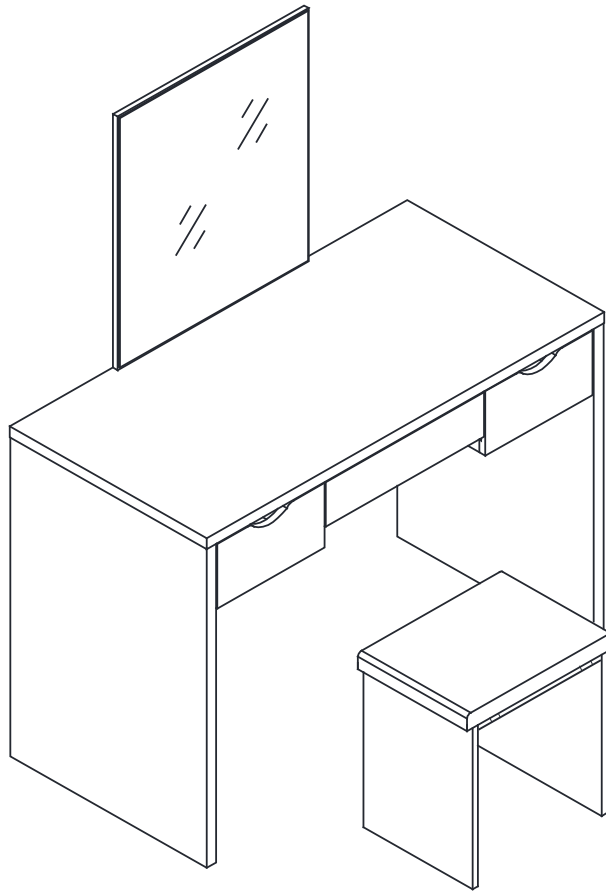
B x4



C x4

Assembly Completed

Your Elizabeth Dressing Table_Stool Set is now completely assembled.
Periodically check to ensure that the components are in their proper position, free from damage.
Also, make sure the connectors are tight and secure.



Keep instructions for future reference

