

TENT INCLUDES



ASSEMBLY INSTRUCTIONS

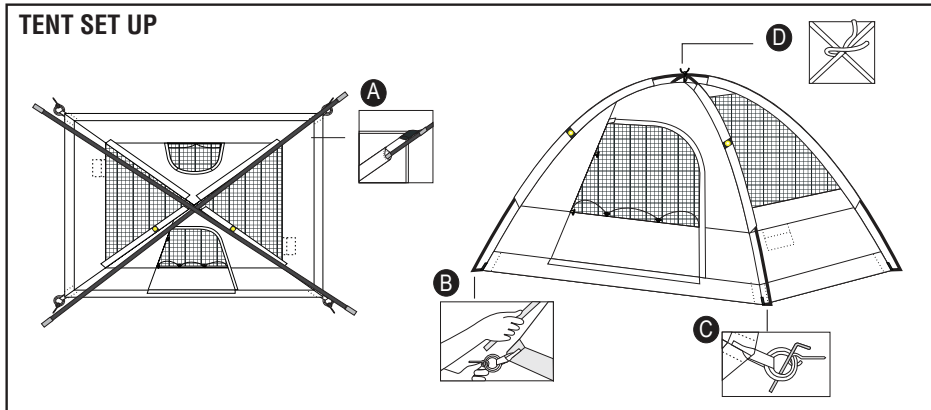
TENT SET UP

- 1) Spread the tent body on the ground.
- 2) Fully open all poles.
- 3) Thread poles through poles sleeves atop of tent (**Figure A**).
- 4) Insert all pole ends into into pins located at the bottom corners of tent (**Figure B**).
- 5) Stake the tent down (**Figure C**).
- 6) Tie the tent to the top with the rope (**Figure D**).

IMPORTANT

We strongly suggest setting up your new tent before going camping to insure that all parts are present and to familiarize yourself with the tents assembly. This will have a great effect on how well you enjoy your camping trip.

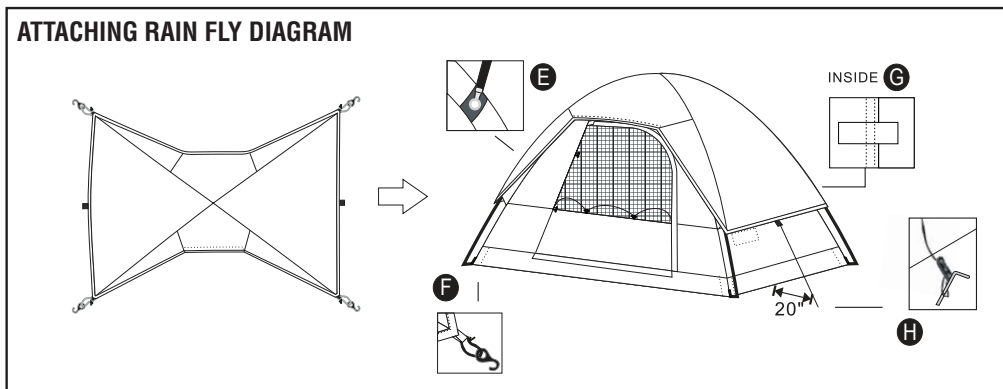
TENT SET UP



ATTACHING THE RAINFLY

- 7) Thread poles into sleeve and insert ends into pole pockets.
- 8) Drape fly over tent.
- 9) Insert end of poles into grommet on the pole sleeves (**Figure E**).
- 10) Hook corners of fly to the metal rings on bottom corners of tent (**Figure F**).
- 11) Attach "hook and loop" straps to poles (**Figure G**).
- 12) Tie the guyropes to the fly and stake down (**Figure H**).

ATTACHING RAIN FLY DIAGRAM



Manufacturer's Warranty

Warranty covers product to be free from defects in material and workmanship for 14 days after date of purchase.

Warranty does not cover natural breakdown of materials that occur inevitably with extended use (e.g., UV damage, exhausted zippers, defects caused by accident, abuse, alteration, animal attack, storm damage, misuse or improper care.

This product is covered for 14 days from date of purchase. Please check all contents to verify product has no missing or broken parts. Gigatent will mail replacement parts free of charge within the 14 Day Manufacturer's Warranty by calling 1-877-836-8701 or emailing customerservice@gigatent.com. We highly recommend logging on to our website at www.gigatent.com should you need customer service.

WARNING:

This product was not designed to be left out in the sunlight for extended periods of time. Prolonged UV exposure will rapidly break down the color and integrity of this product. UV damage is not covered under our warranty.

WARNING : NEVER LEAVE BURNING FIRE UNATTENDED

Wind may topple product. Use extra caution.

Keep all Flame and Heat away from product.

THIS PRODUCT IS NOT FIRE PROOF.

IF LEFT TOO CLOSE OR ON OPEN FLAME THE PRODUCT WILL BURN OR BE SEVERELY DAMAGED.

CAUTION: Use caution when using propane stove on this product. Unintended fire may result in damage of product or bodily harm.

**Manufactured in China for
Gigatent
55 Haul Rd
Wayne, New Jersey 07470
www.gigatent.com**



For questions or concerns call Gigatent at our Toll Free Number:
877-836-8701 Monday-Thursday 9am-5pm EST, Friday 9am-12pm EST or email us at customerservice@gigatent.com.
For replacement parts, please login to our website at gigatent.com and click the link "replacement parts".

TO VIEW FULL SELECTION OF OUR PRODUCT LINE, GO TO WWW.GIGATENT.COM