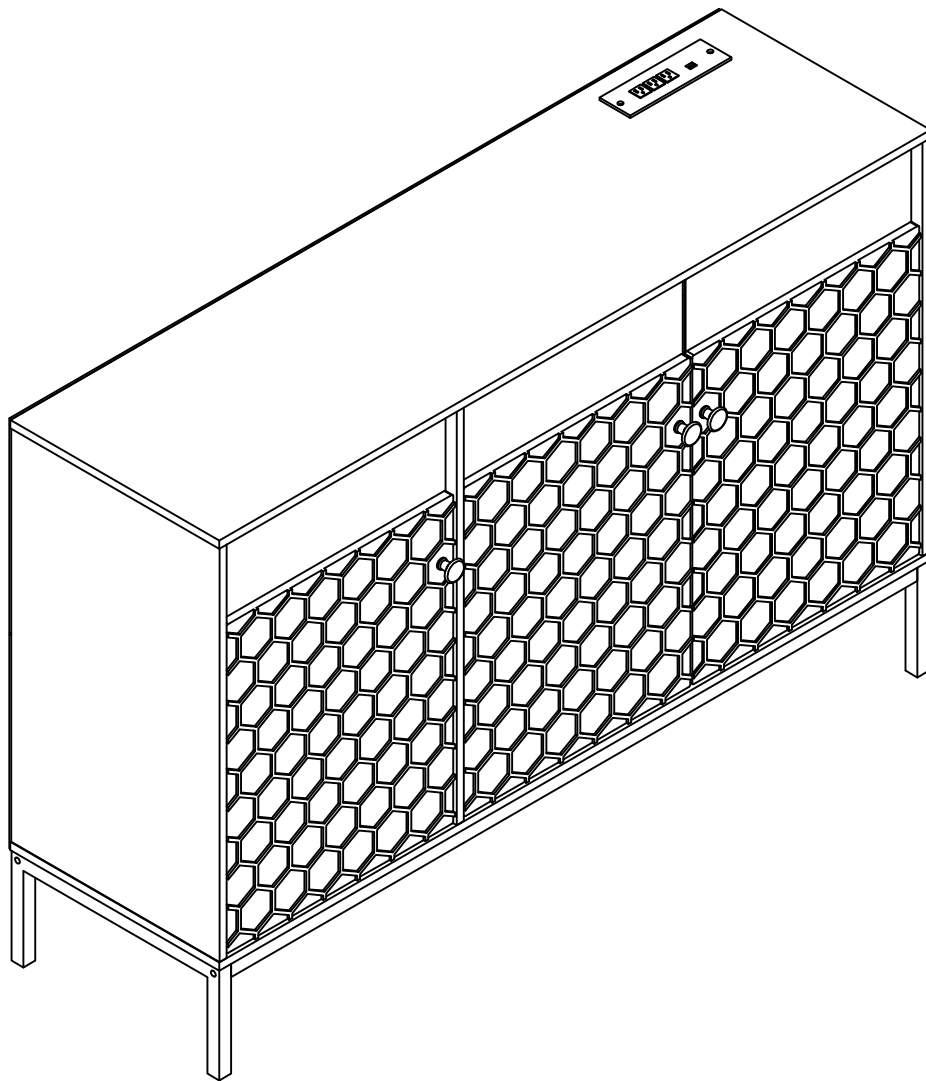
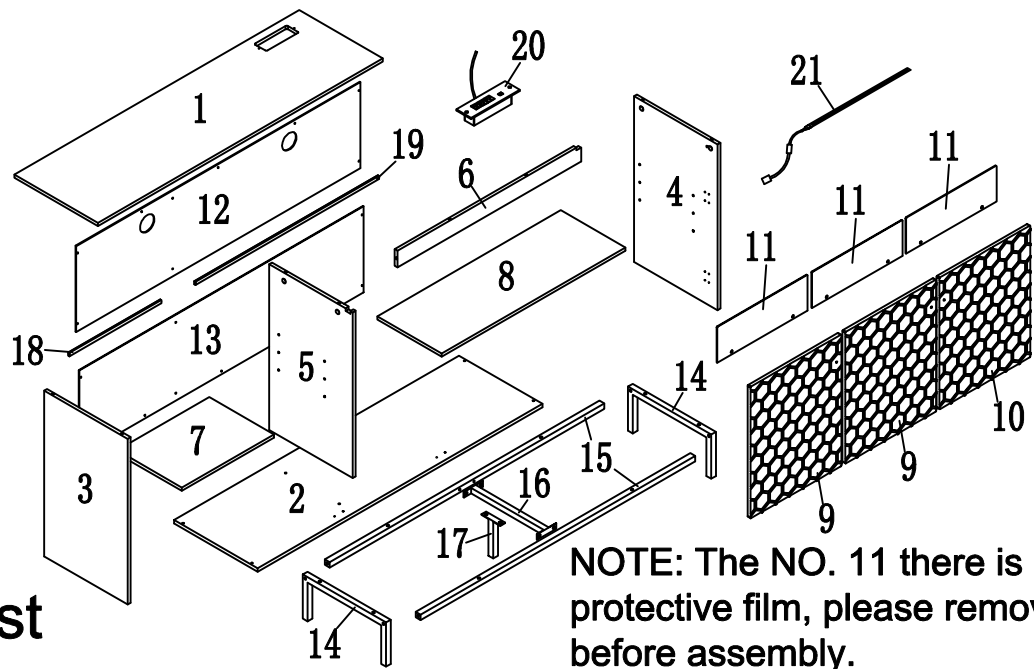


ASSEMBLY INSTRUCTION

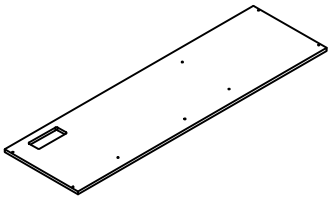
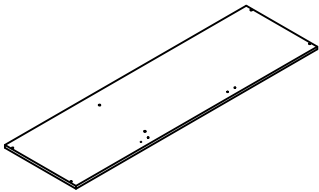
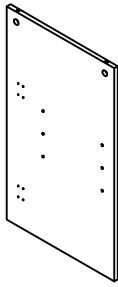
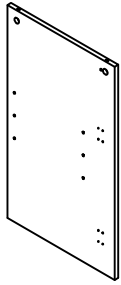
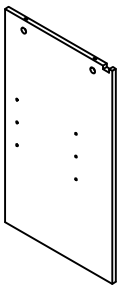
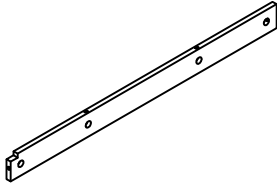
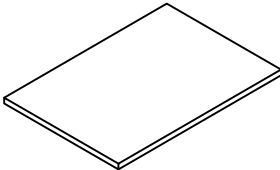
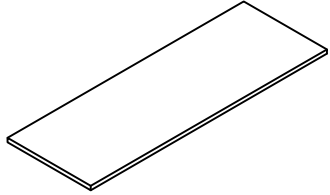
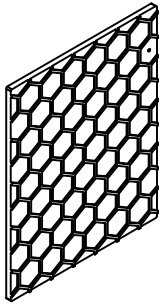
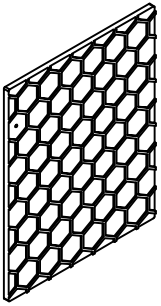
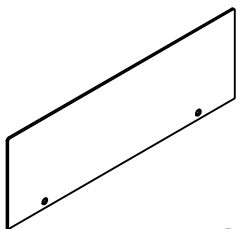
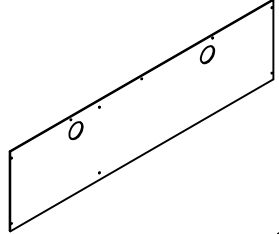
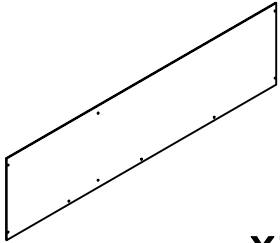
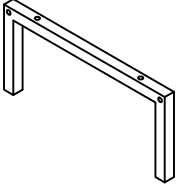
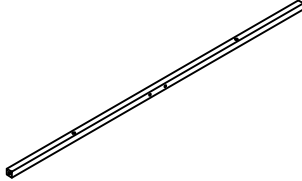
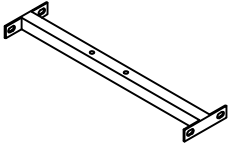


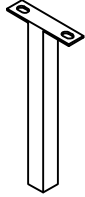

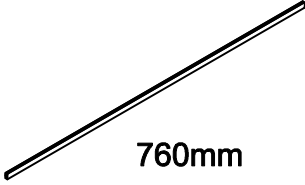
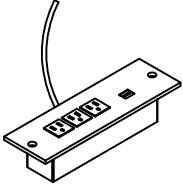
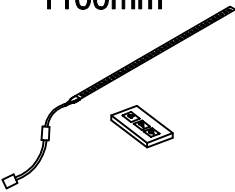
H020004-BK00
H020004-WH00


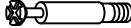

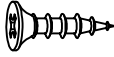

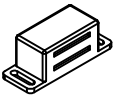
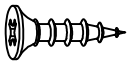

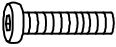
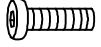
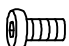
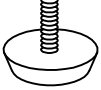
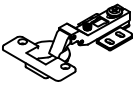



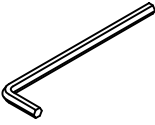


NOTE: The NO. 11 there is plastic protective film, please remove it before assembly.

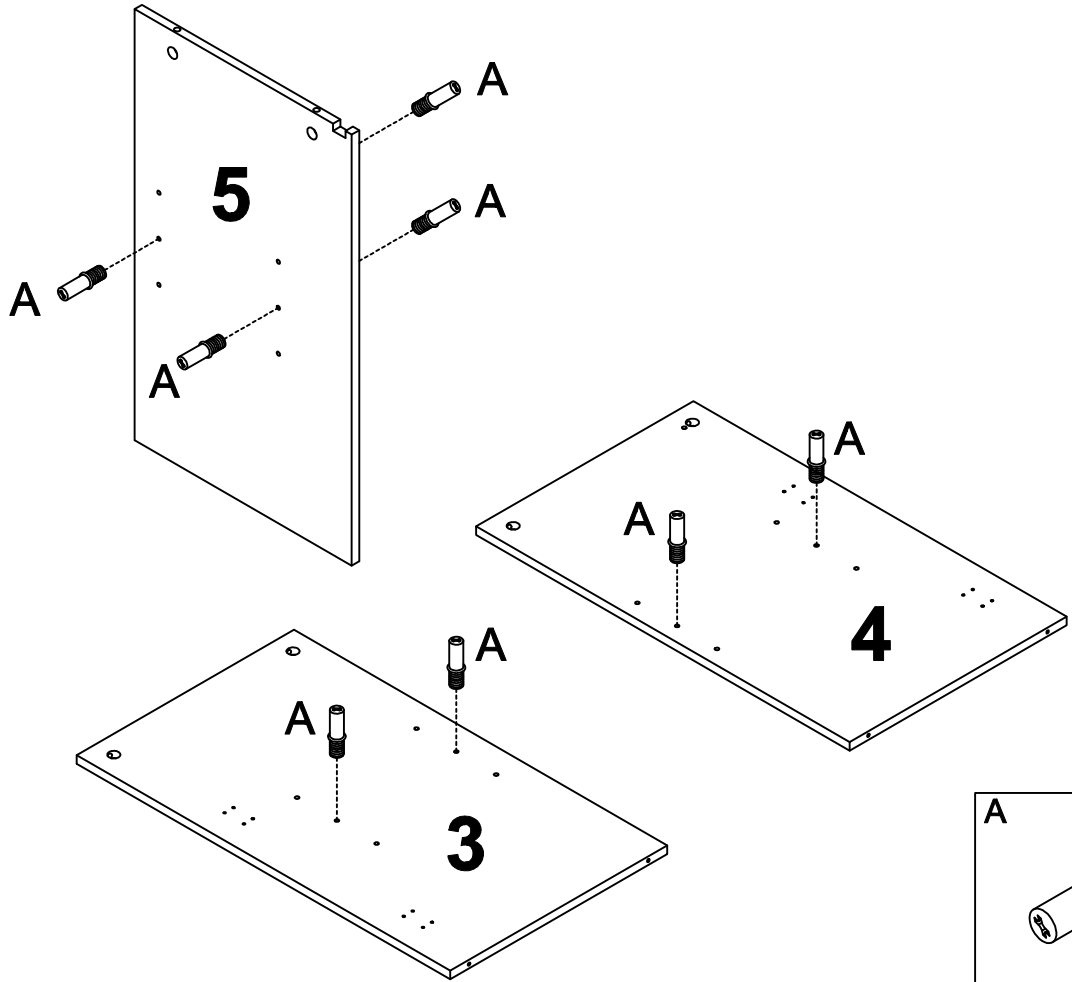
Packing List

<p>1</p>  <p>x1</p>	<p>2</p>  <p>x1</p>	<p>3</p>  <p>x1</p>	<p>4</p>  <p>x1</p>
<p>5</p>  <p>x1</p>	<p>6</p>  <p>x1</p>	<p>7</p>  <p>x1</p>	<p>8</p>  <p>x1</p>
<p>9</p>  <p>x2</p>	<p>10</p>  <p>x1</p>	<p>11</p>  <p>x3</p>	<p>12</p>  <p>x1</p>
<p>13</p>  <p>x1</p>	<p>14</p>  <p>x2</p>	<p>15</p>  <p>x2</p>	<p>16</p>  <p>x1</p>

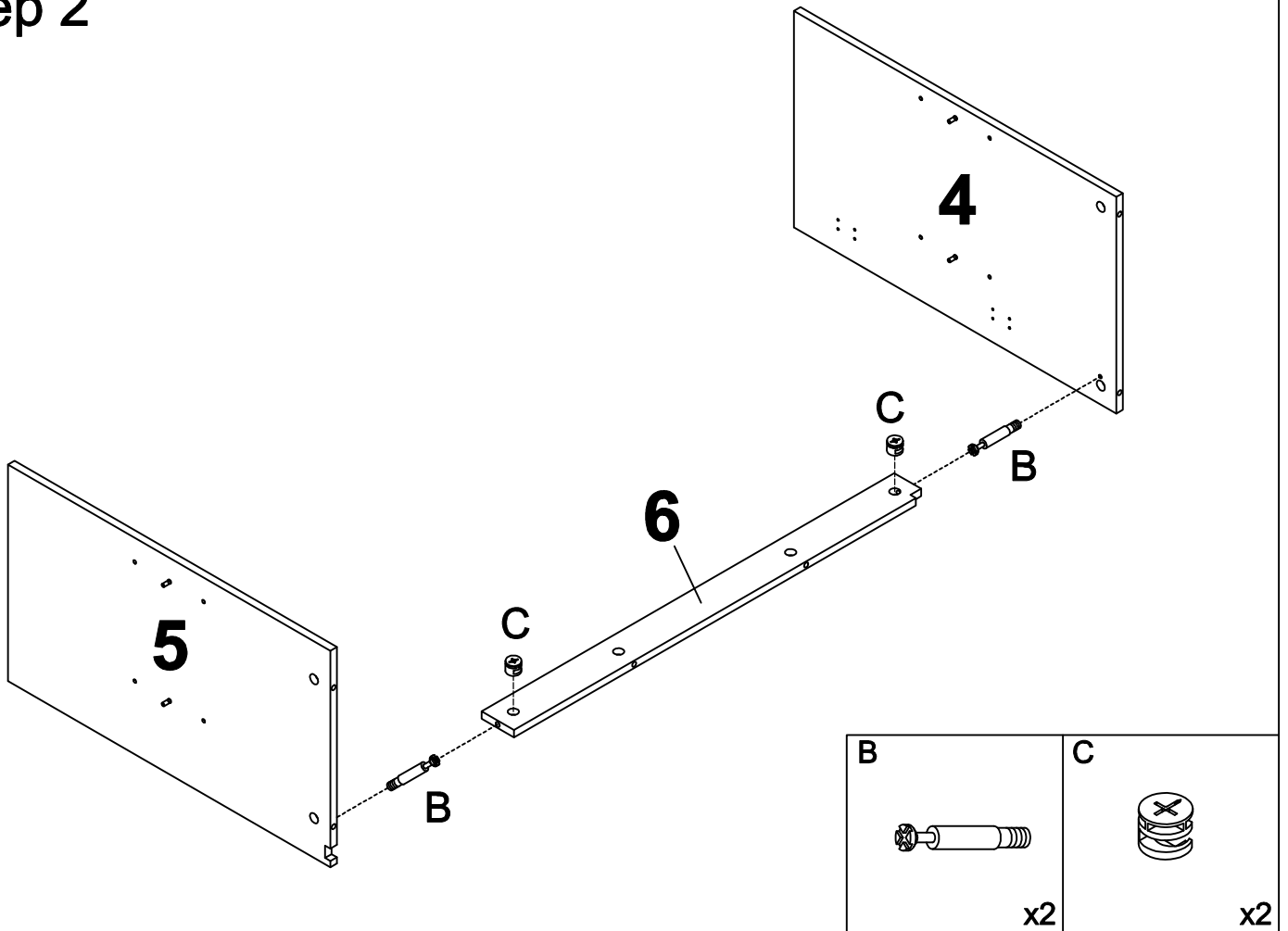
<p>17</p>  <p>x1</p>	<p>18</p>  <p>380mm</p> <p>x1</p>	<p>19</p>  <p>760mm</p> <p>x1</p>	<p>20</p>  <p>x1</p>
<p>21</p>  <p>1100mm</p> <p>x1</p>			

<p>A</p>  <p>x8</p>	<p>B</p>  <p>x10</p>	<p>C</p>  <p>x10</p>	<p>D M3.5x12</p>  <p>x60</p>	<p>E</p>  <p>x1</p>
<p>F</p>  <p>x2</p>	<p>G M3x14</p>  <p>x4</p>	<p>H M5x40</p>  <p>x6</p>	<p>I M6x45</p>  <p>x4</p>	<p>J M6x28</p>  <p>x8</p>
<p>K M6x10</p>  <p>x12</p>	<p>L</p>  <p>x5</p>	<p>M</p>  <p>x6</p>	<p>N</p>  <p>x3</p>	<p>O M4x18</p>  <p>x3</p>
<p>P</p>  <p>x3</p>	<p>Q</p>  <p>x1</p>			

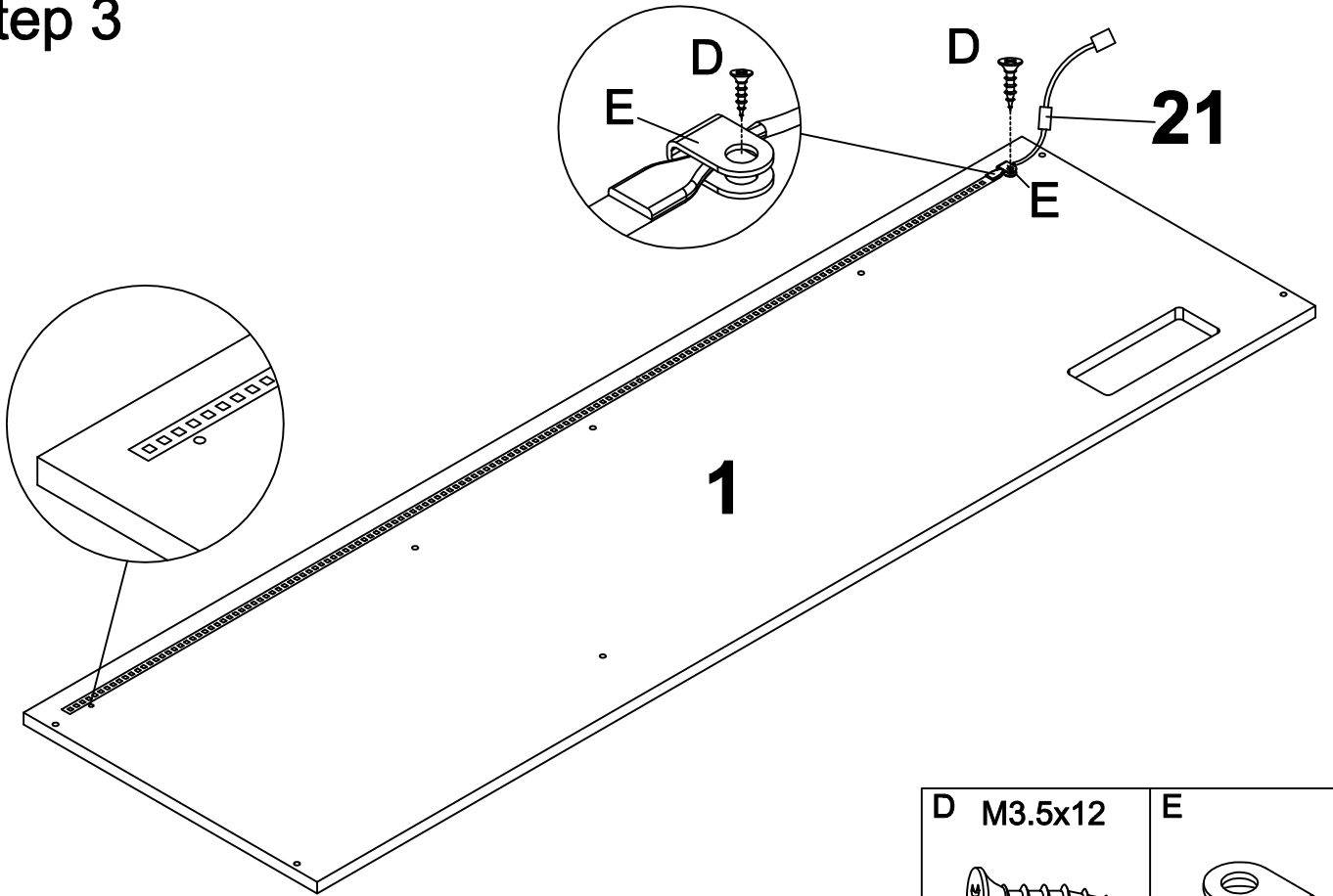
Step 1

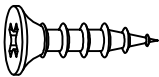



Step 2

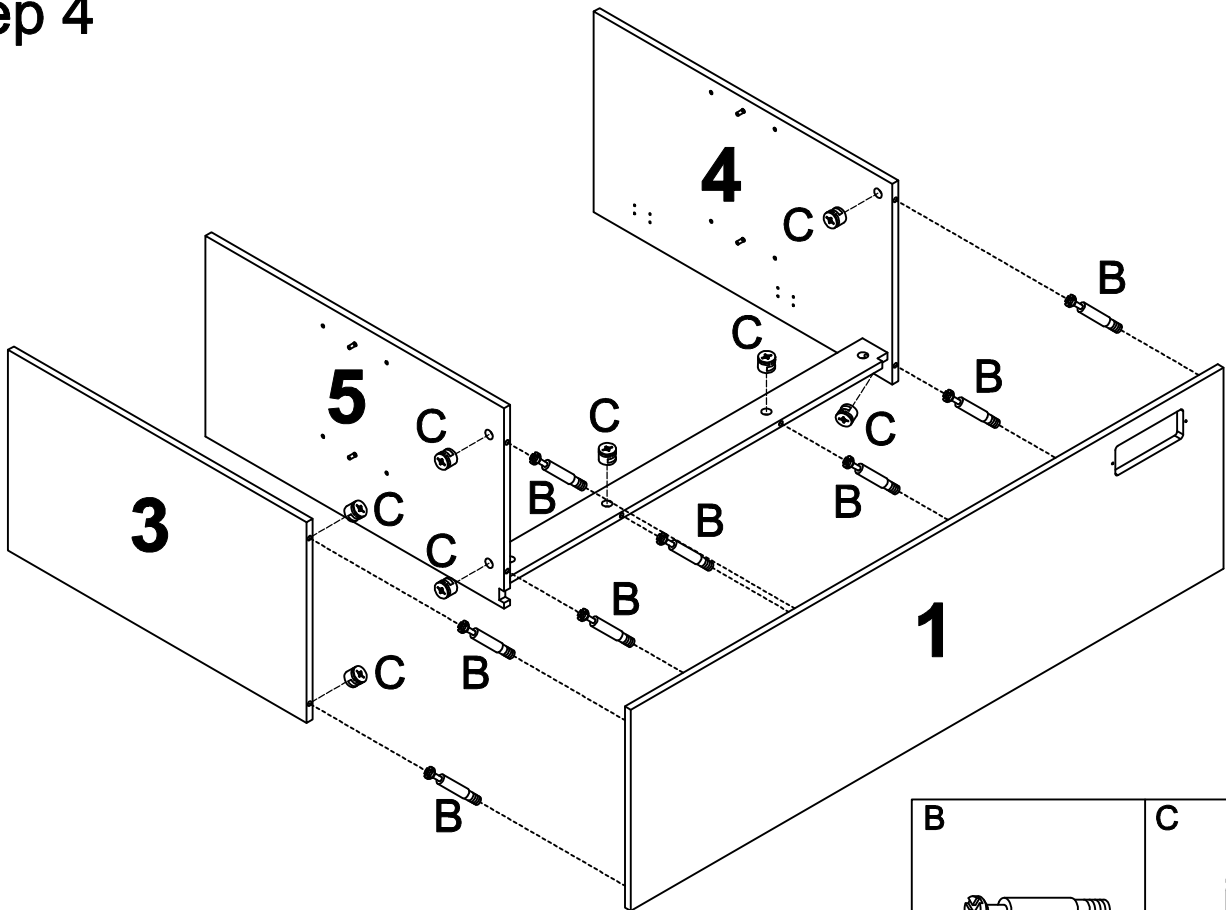


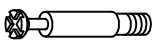

Step 3



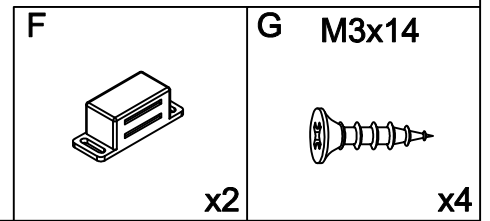
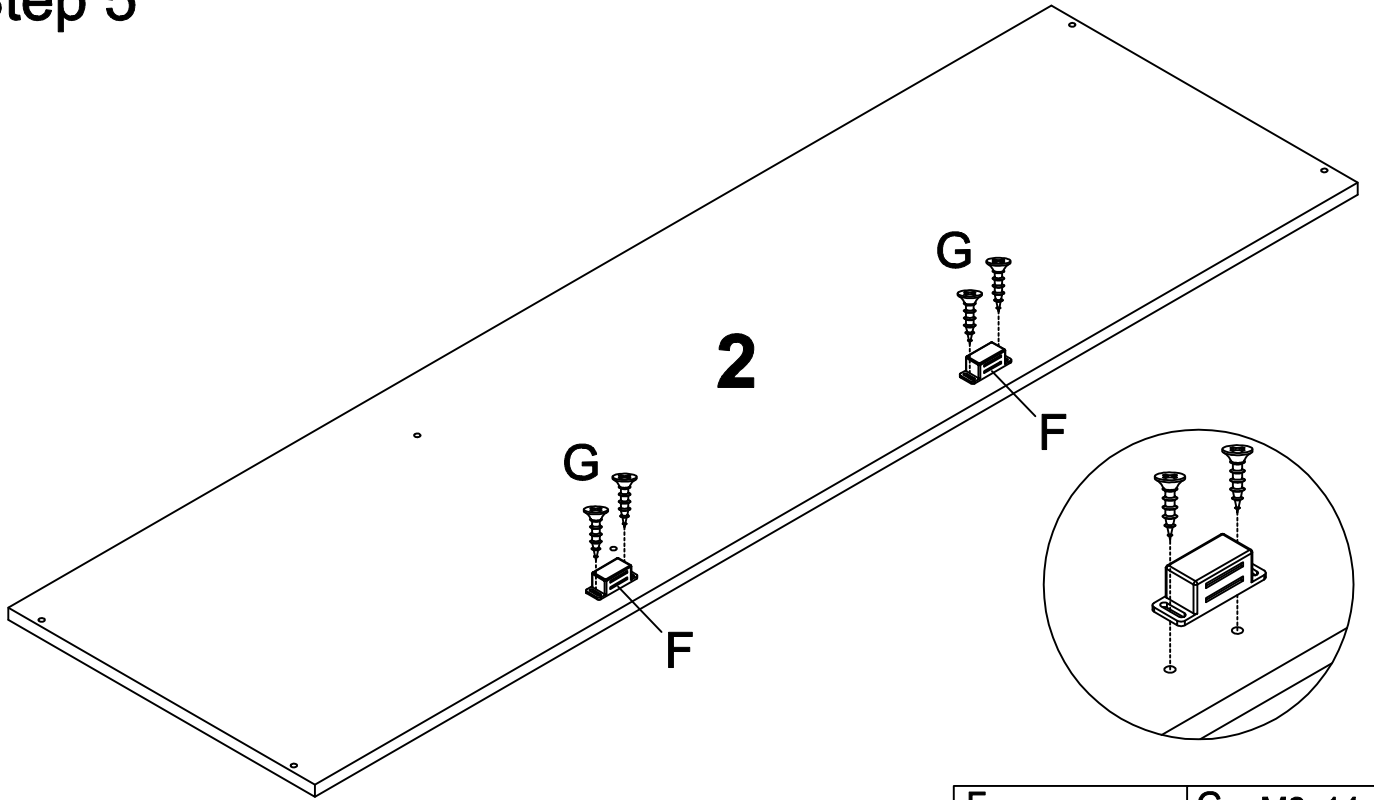
D M3.5x12	E
	
x1	x1

Step 4

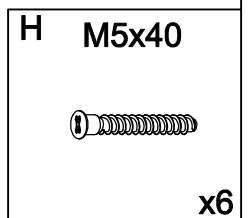
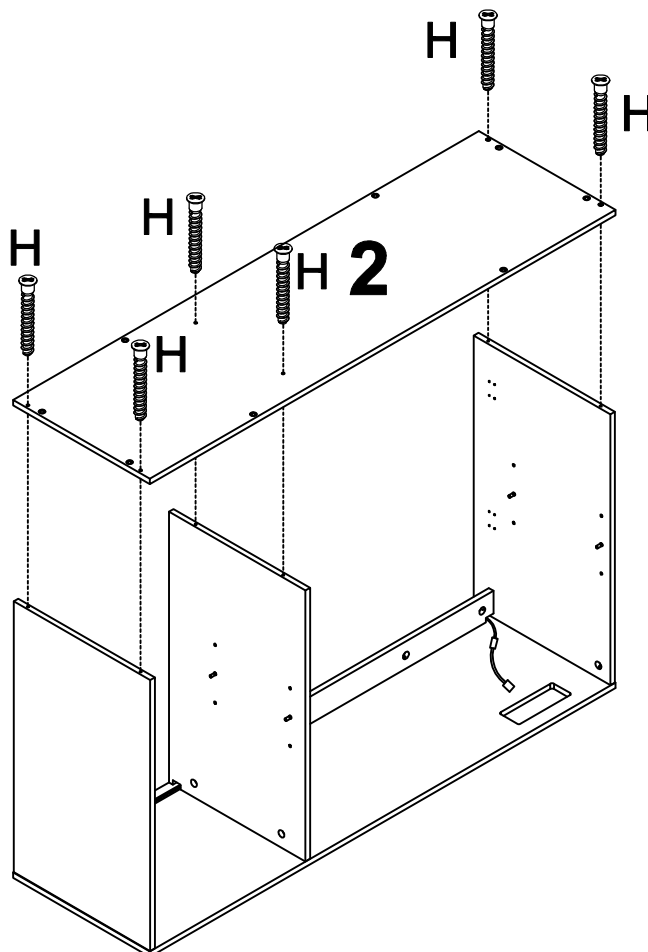


B	C
	
x8	x8

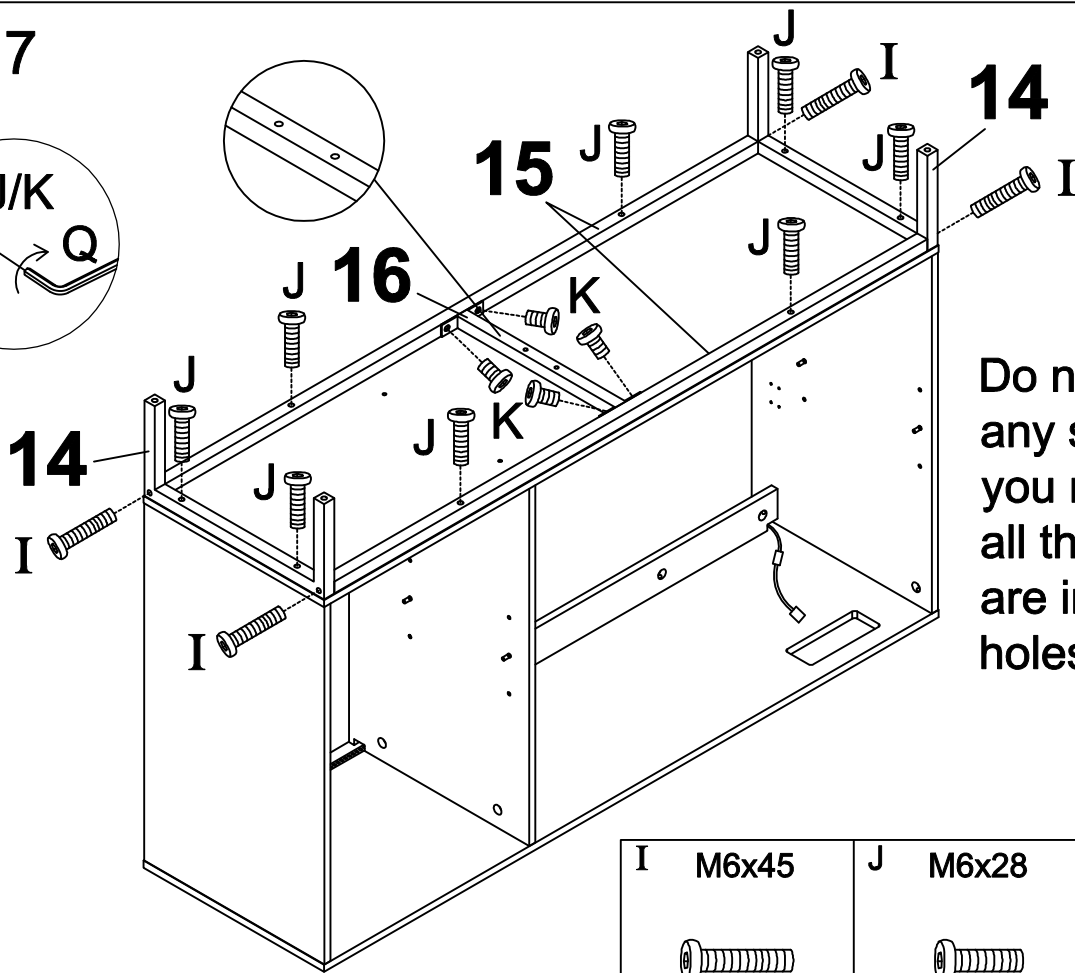
Step 5



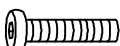
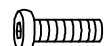
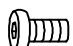
Step 6



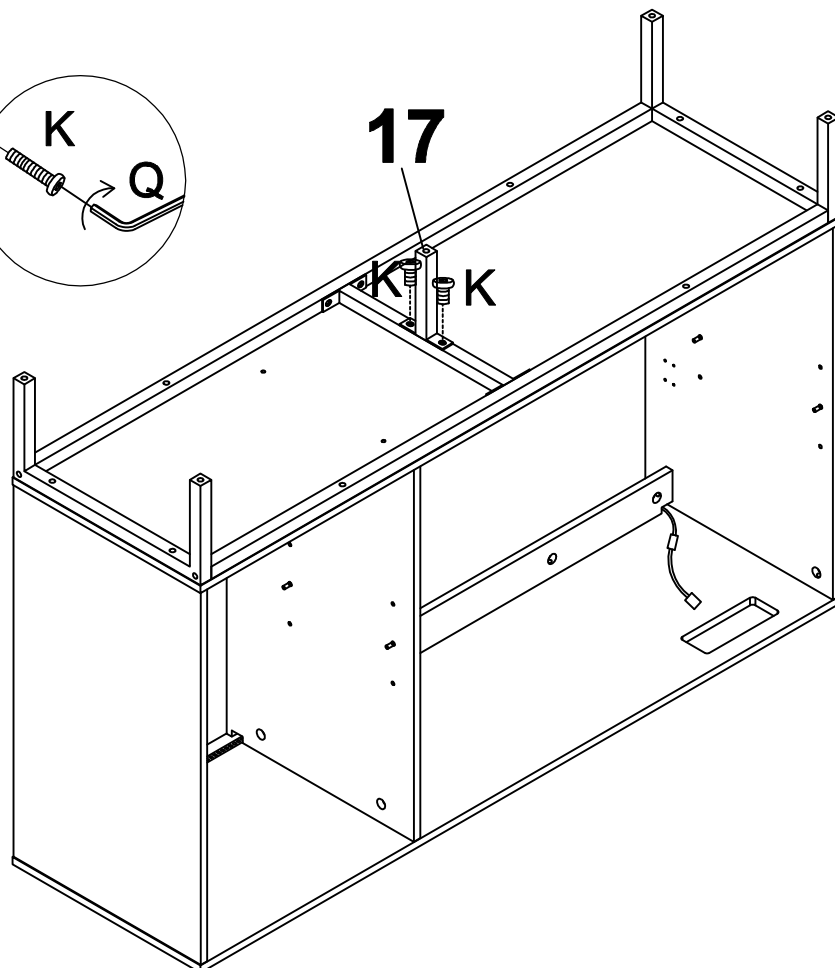
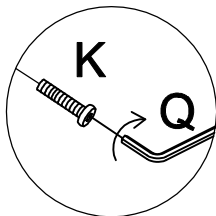
Step 7

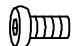


Do not tighten any screw until you make sure all the screws are in the right holes.

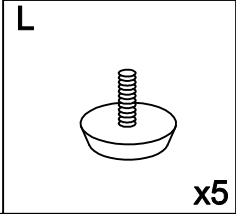
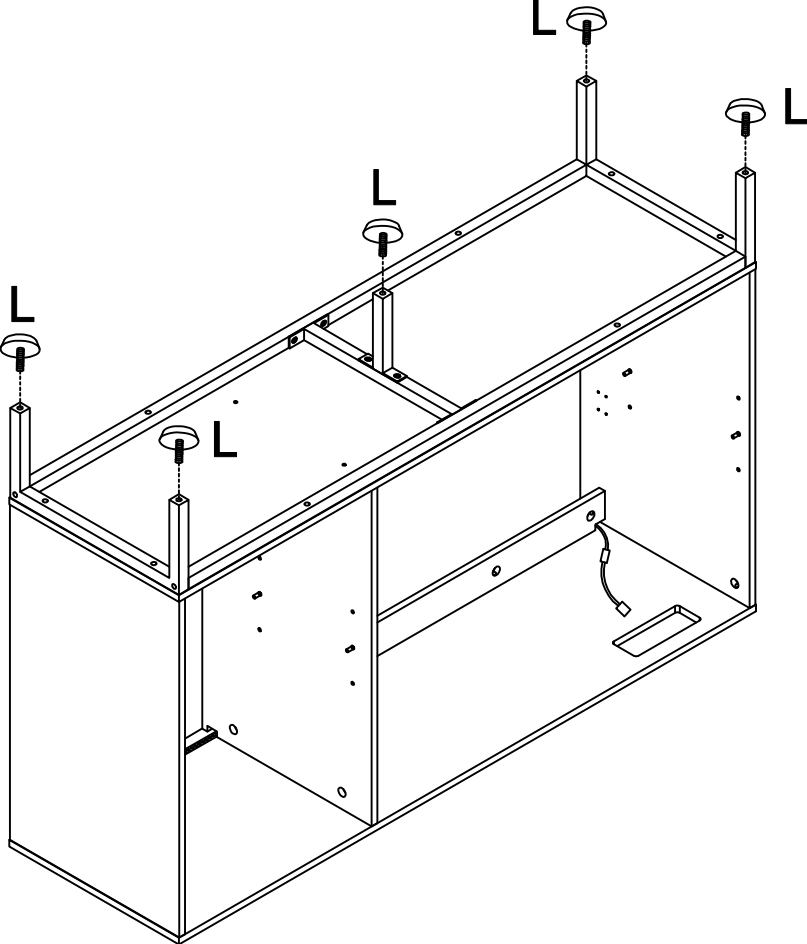
I	M6x45	J	M6x28	K	M6x10
					
x4		x8		x4	

Step 8

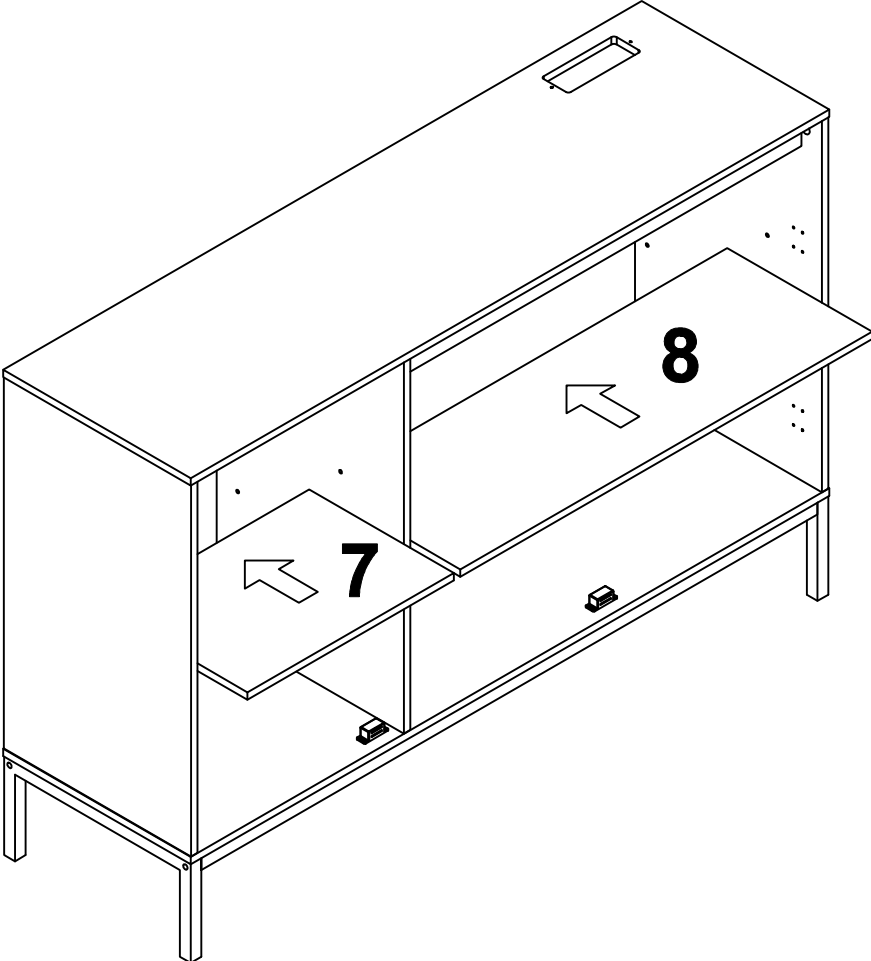


K	M6x10
	
x2	

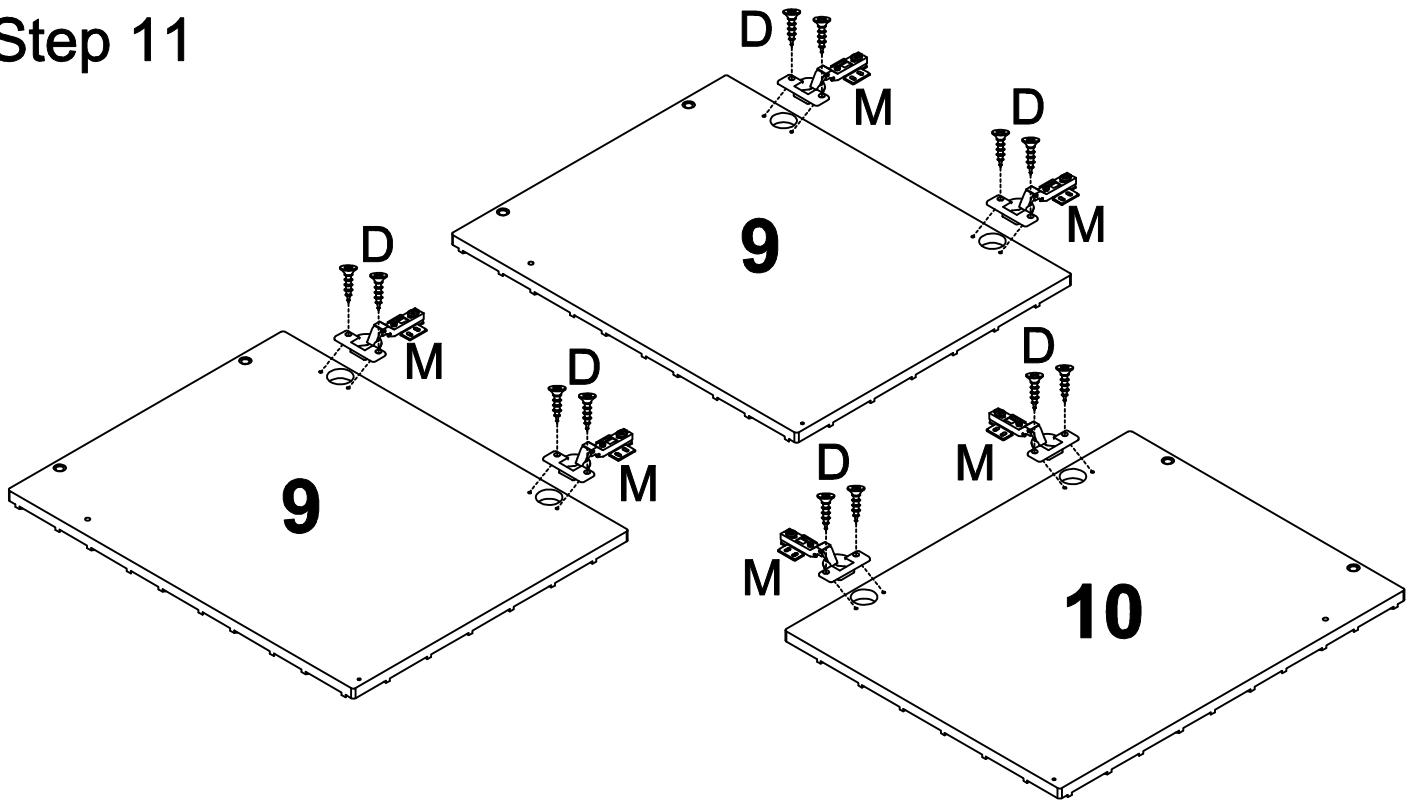
Step 9

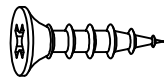



Step 10

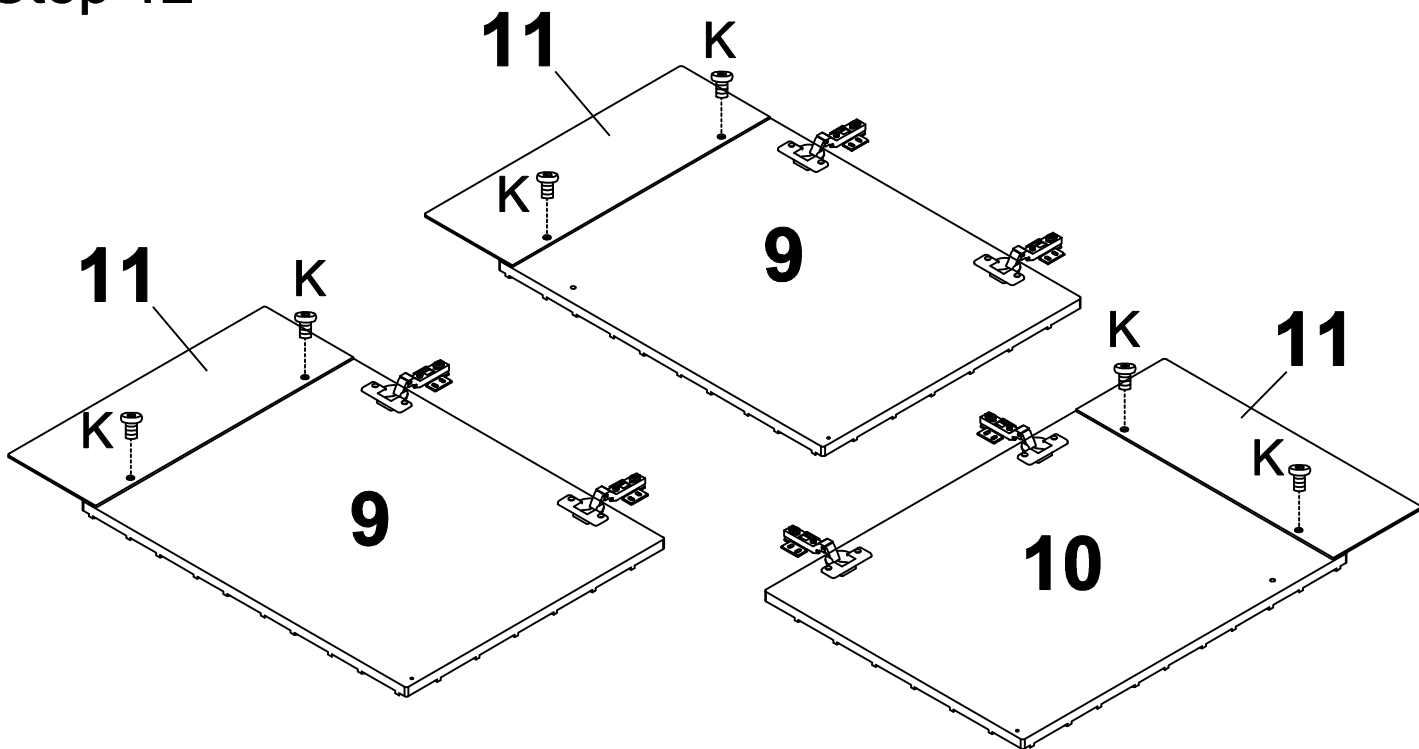



Step 11



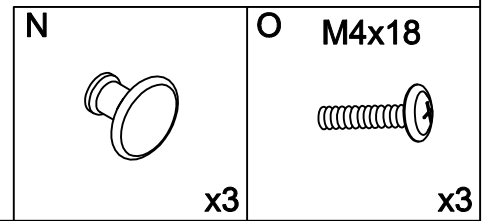
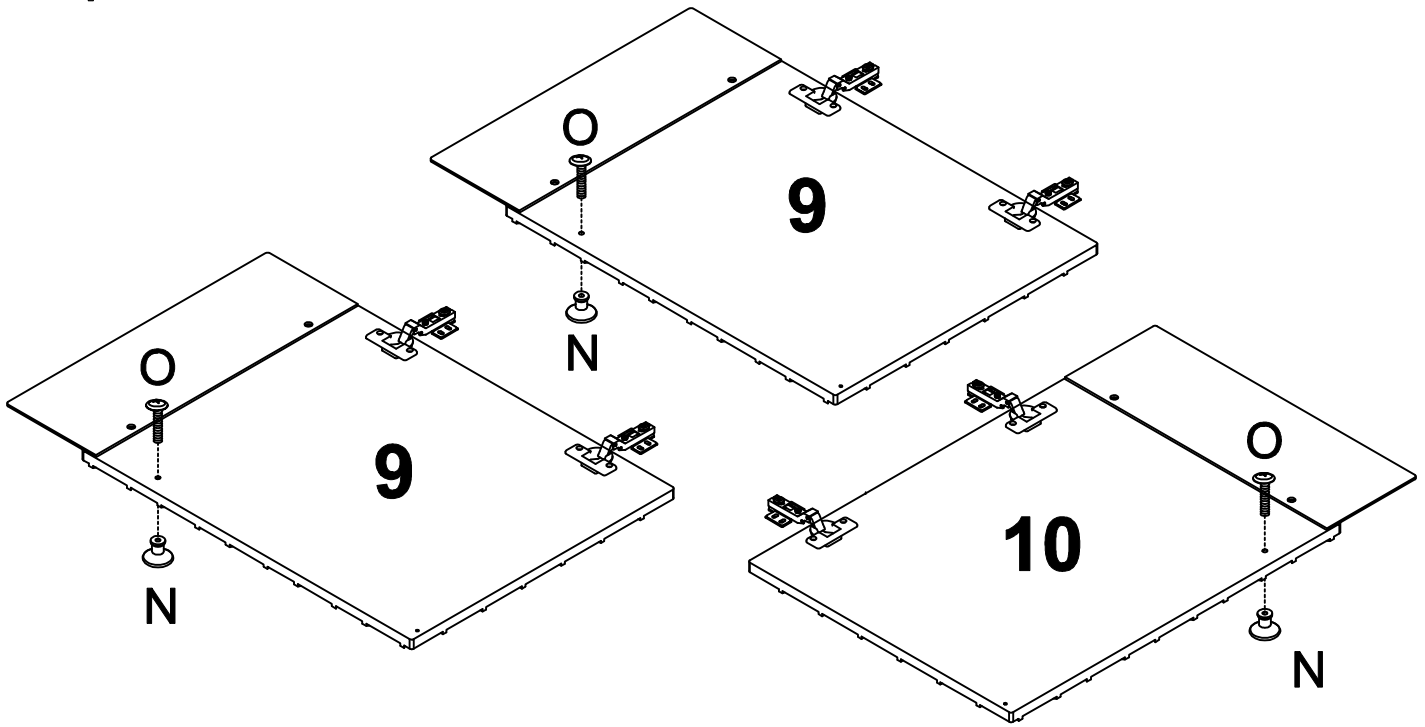
D M3.5x12	M
	
x12	x6

Step 12

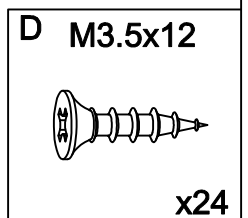
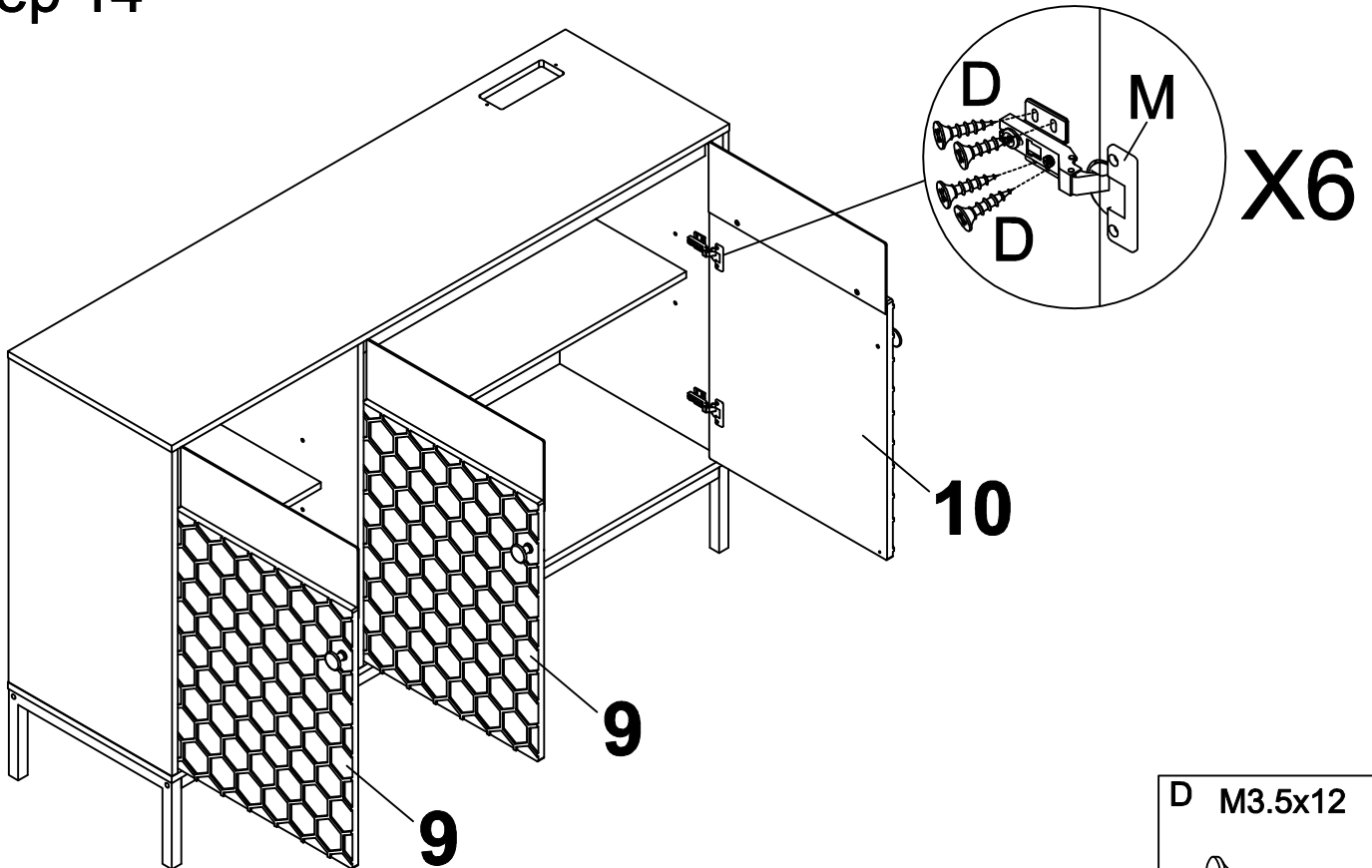


K M6x10

x6

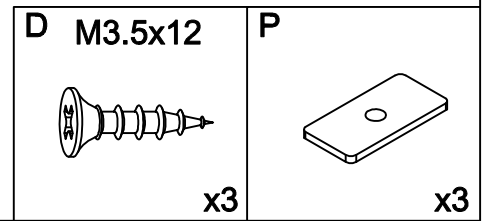
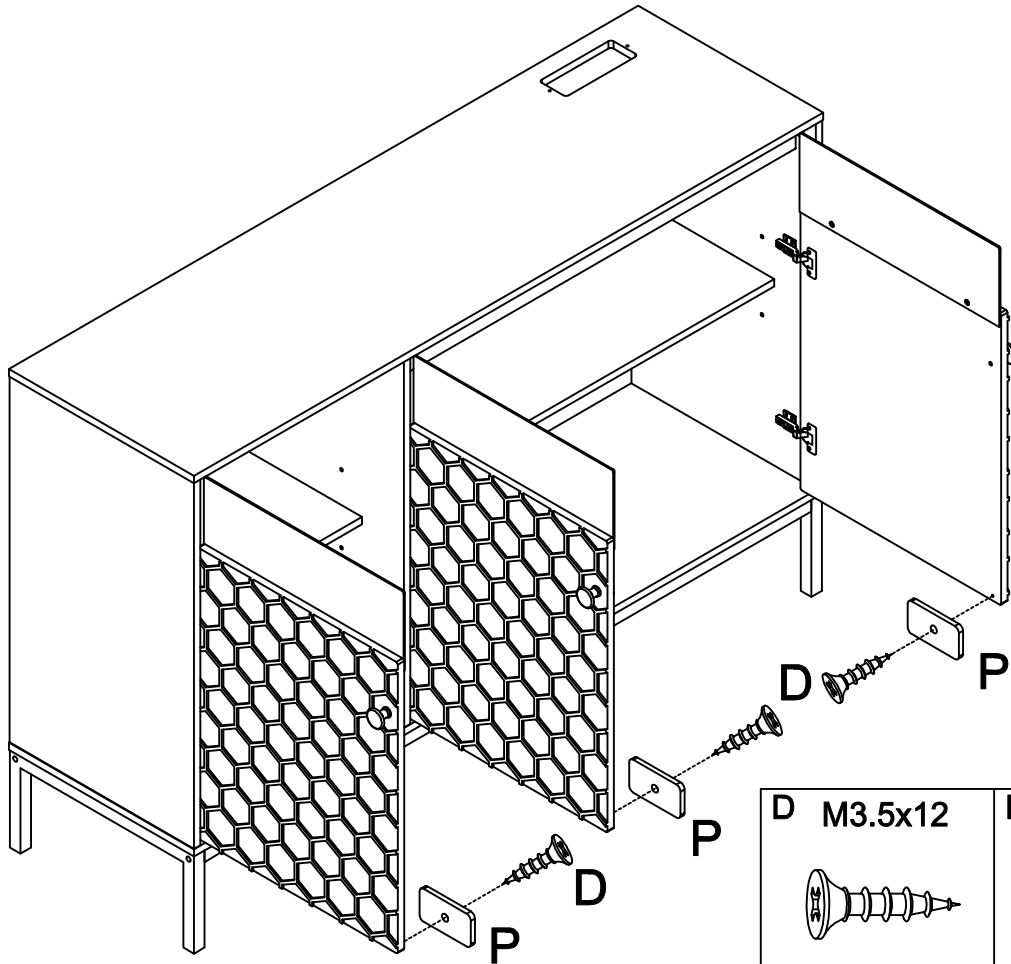
Step 13



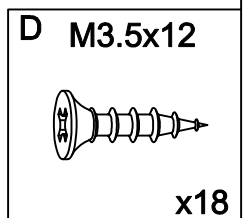
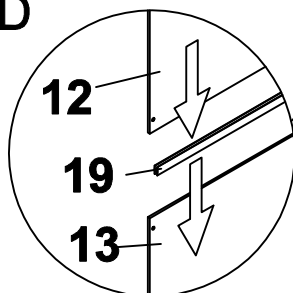
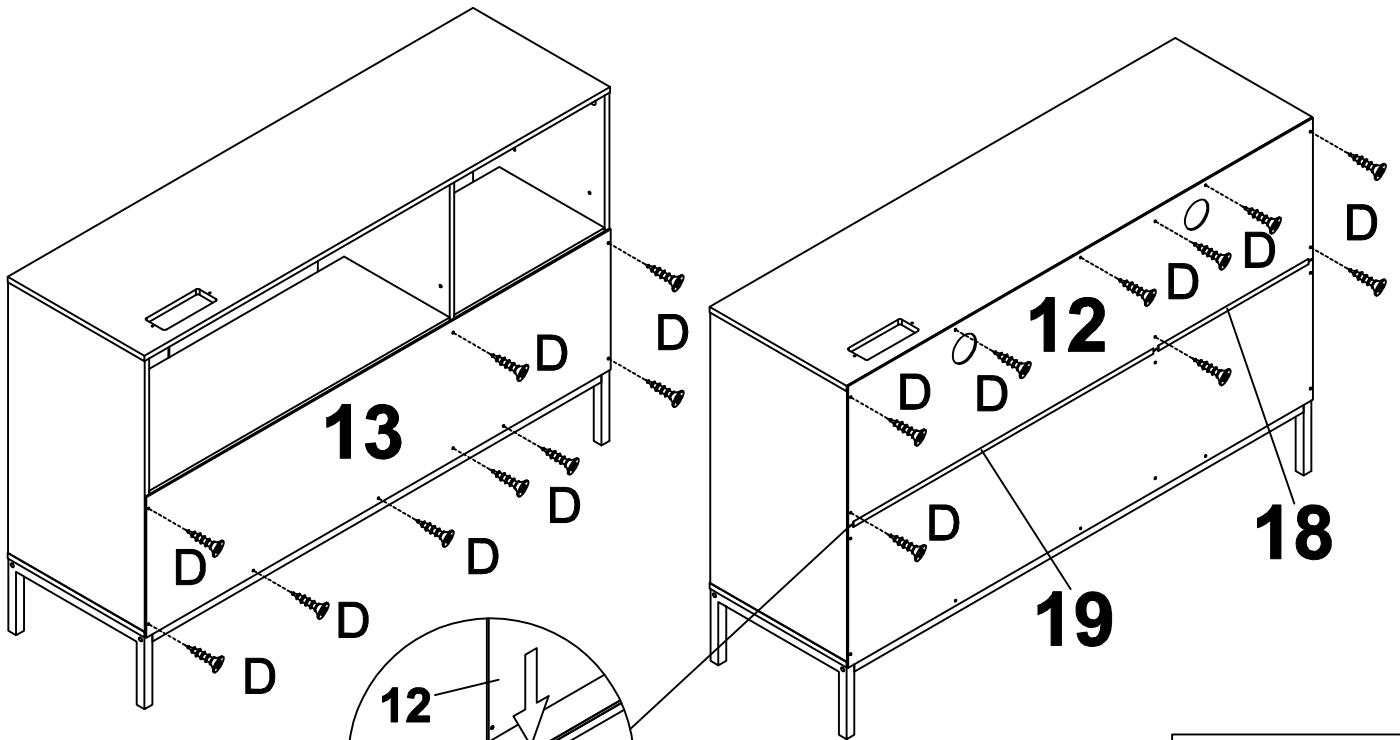
Step 14



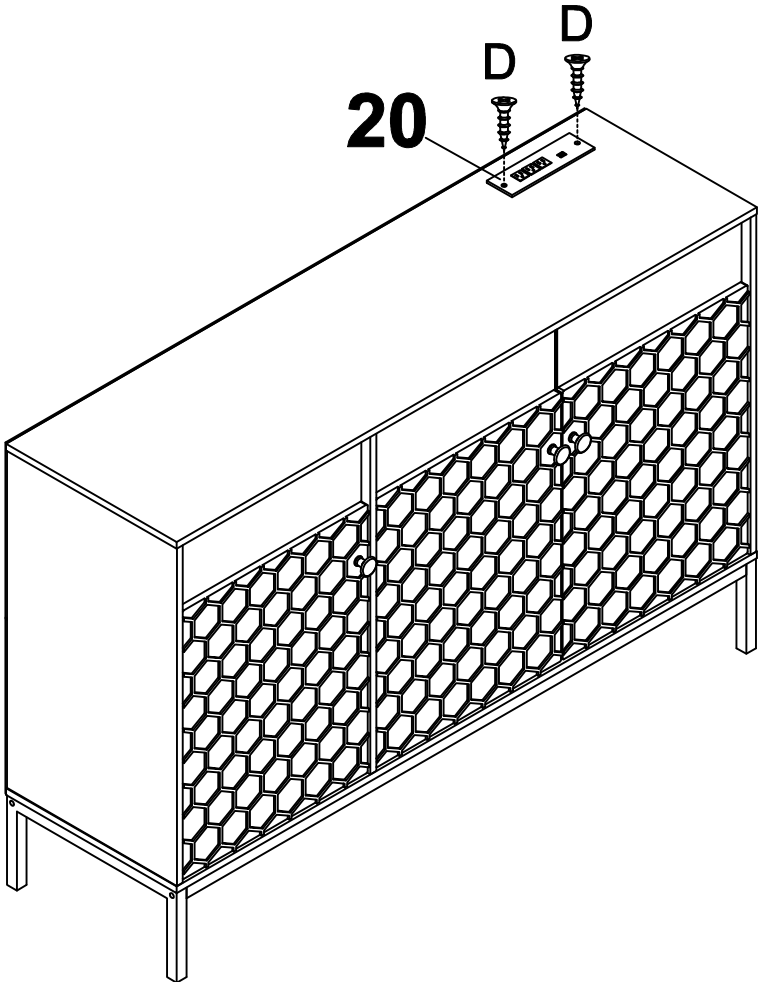
Step 15



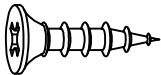
Step 16



Step 17

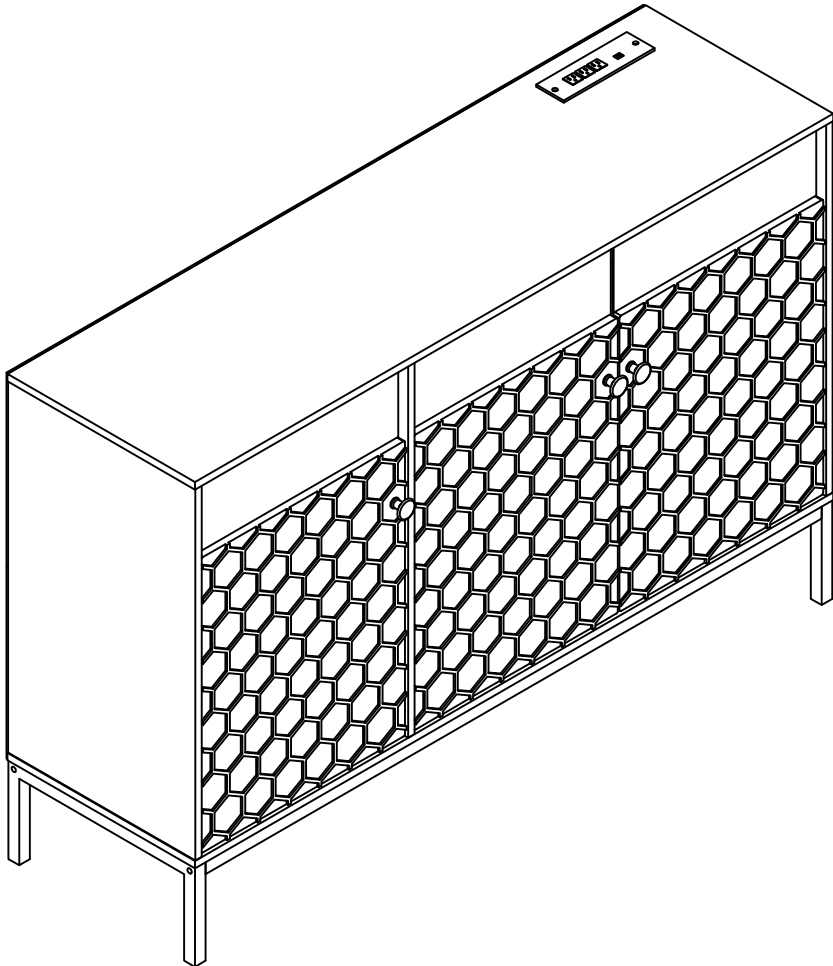


D M3.5x12



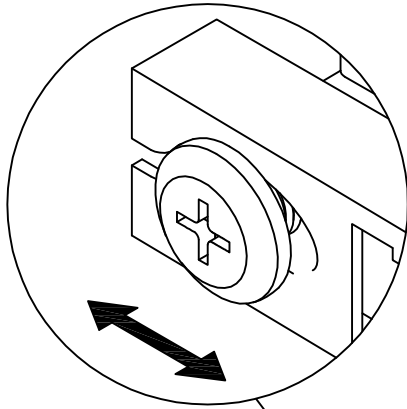
x2

Finish !!!

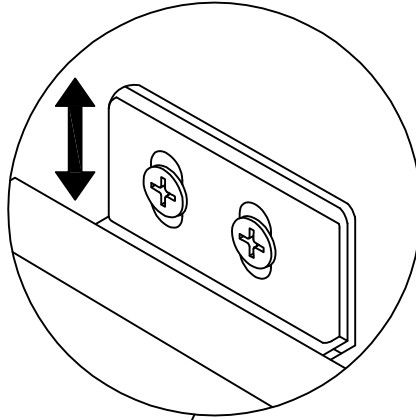


Hinge Installation Diagram

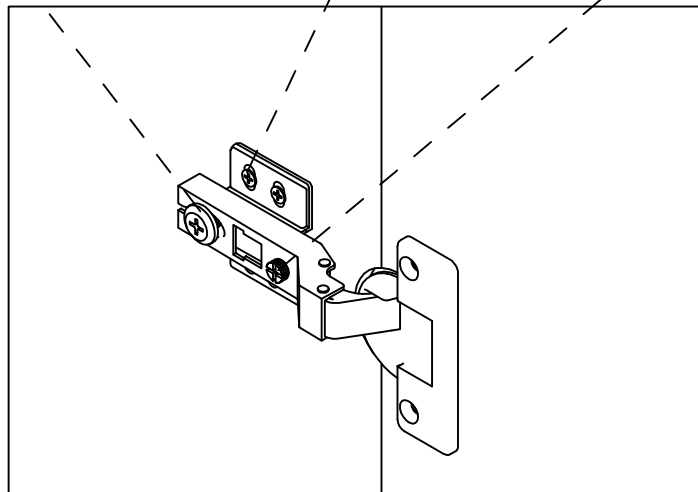
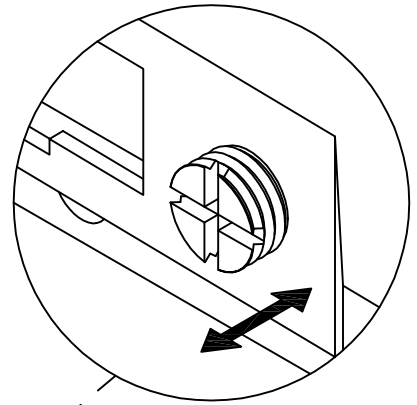
Left and Right



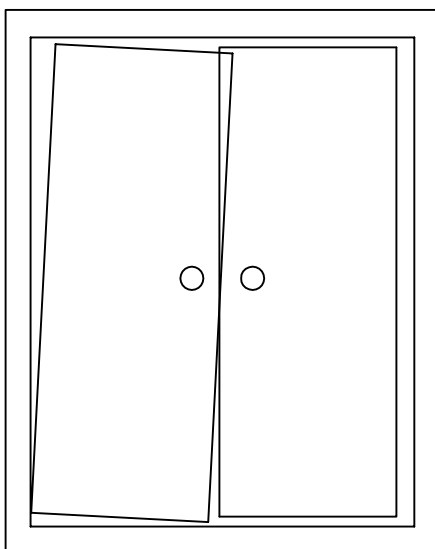
Up and Down



Back and Forth



Before



After

