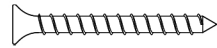


Floating Shelf Installation Steps

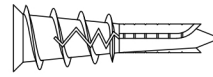
Hardware Parts



A

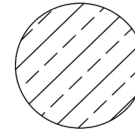


B



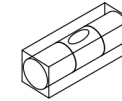
C

(Plaster Wall Expansion Tube)



D

(Screw Hole Stickers)

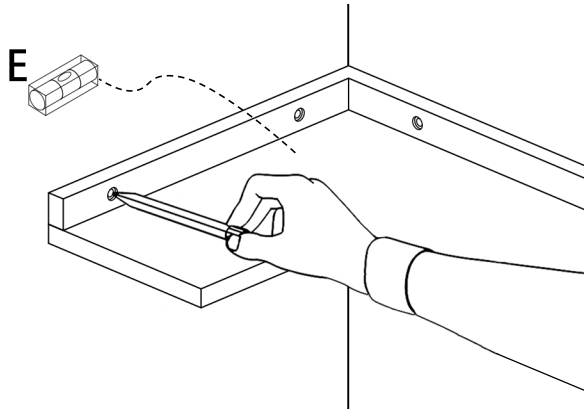


E

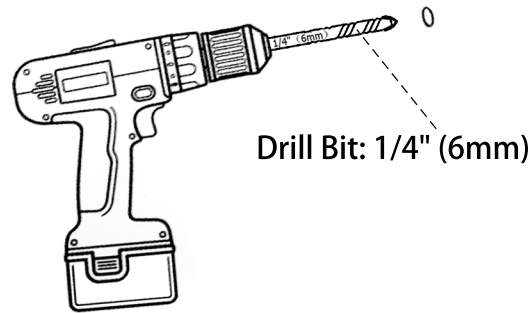


self-provided tools
drill bit: 1/4" (6mm)

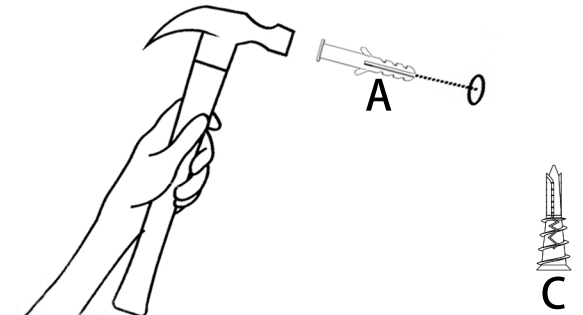
- ① Mark the place where you want to install the shelf and check with a level.



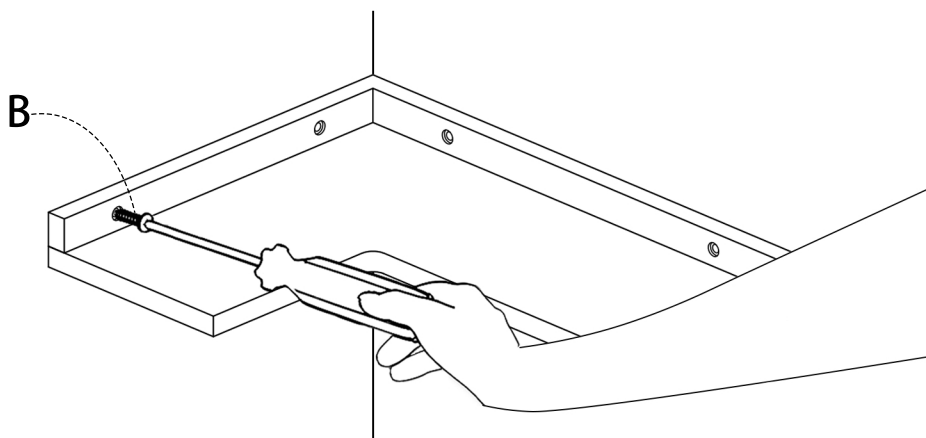
- ② Drill 1/4" (6mm) holes at the markings with an electric drill.



- ③ Use a hammer to knock the expansion tube into the drilling hole.
(In case of plaster walls, use plaster expansion pipe C).



- ④ Use screws and screwdrivers to fix the shelf on the wall.



- ⑤ You can choose whether or not to affix the screw hole sticker as needed.

