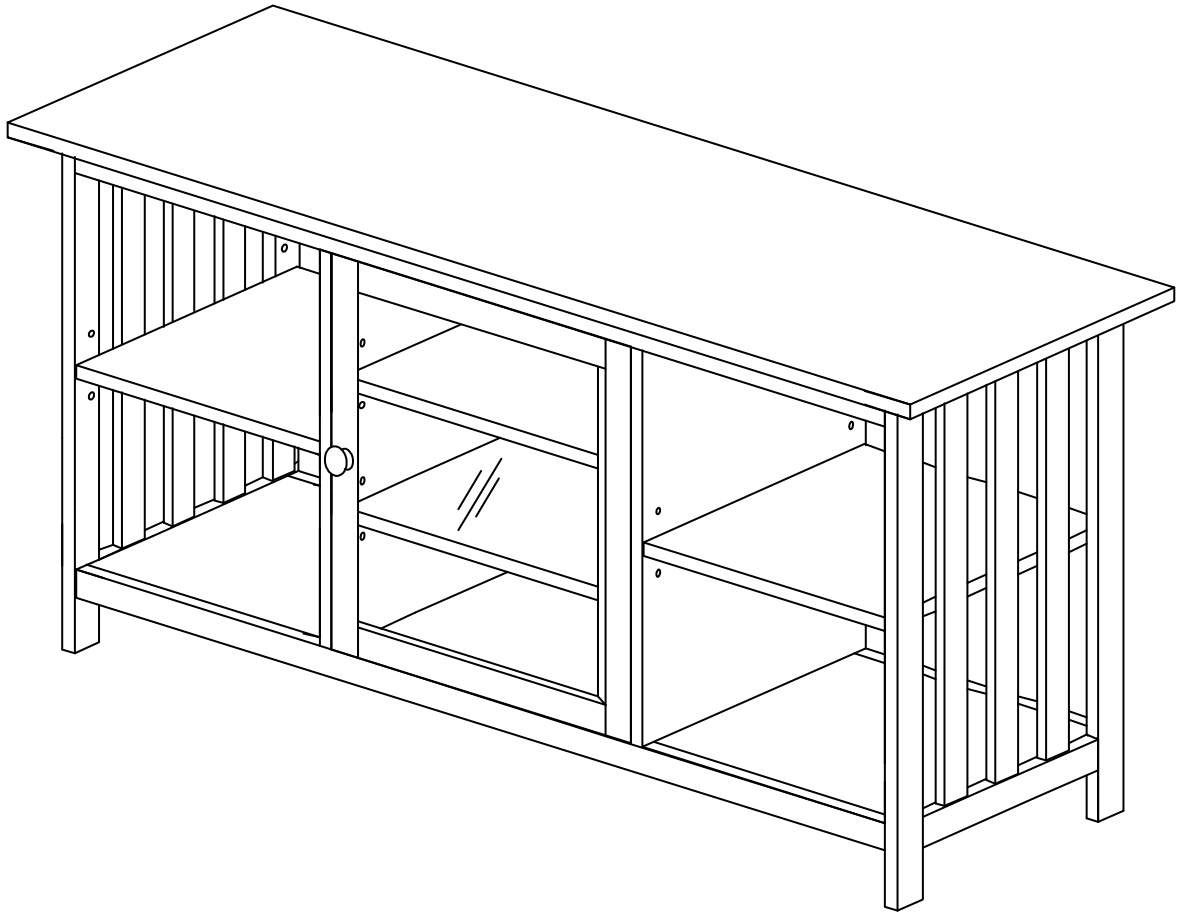


ASSEMBLY INSTRUCTIONS



WARNING!

Serious or fatal injuries can occur from furniture tip over. Use tip over restraint (provided) to secure this product to the wall.

BEFORE ASSEMBLY

Thank you for purchasing this quality product. This product has been designed for easy assembly and constructed for durability. All parts were checked prior to packaging to insure quality.

IMPORTANT NOTE:

- Place all wooden parts on a clean and smooth surface such as a rug or carpet to avoid the parts from being scratched.
- Remove all wrapping material, including staples & packing straps before you start to assemble.
- DO NOT tighten all screws and bolts until completely assembled.
- Keep all hardware parts out of reach of children.

WARNING:

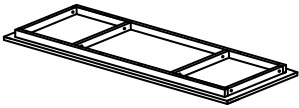

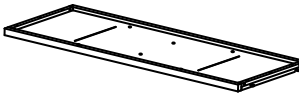
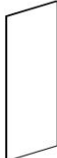
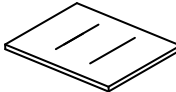

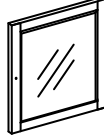

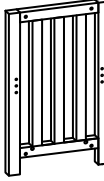
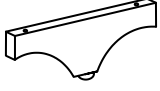

Long exposure to rubber or soft plastic may cause a chemical reaction and damage the finish of your product. Protect the surface of the product with cloth if you are using any product with rubber feet or base.

ASSEMBLY TOOLS REQUIRED NOT INCLUDED



PART LIST

When unpacking, please be careful not to discard any parts with the packaging. Before continuing, please make sure you have the following parts:

NO	Description	Qty	Sketch	NO	Description	Qty	Sketch
A	Top	1		G	Side shelf	2	
B	Bottom panel	1		H	Back panel	1	
C	Center Shelf	2		I	H-Connector	1	
D	Door with glass	1		J	Back panel	1	
E	Side frame	2		K	Support Leg	1	
F	Vertical panel (L-R)	2					

NOTE: WARNING LABEL (INCLUDED)

 WARNING




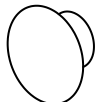

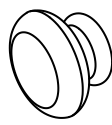

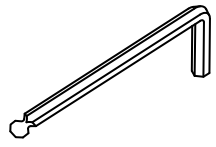
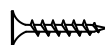
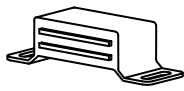
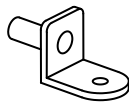
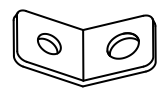
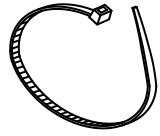
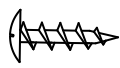
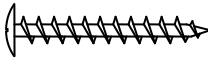
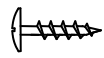

Serious or fatal crushing injuries can occur from furniture tipover. To help prevent tipover:

- Install tipover restraint provided.
 - Place heaviest items in the lower drawers.
 - Unless specifically designed to accommodate, do not set TVs or other heavy objects on top of this product.
 - Never allow children to climb or hang on drawers, doors or shelves.
 - Never open more than one drawer at a time.
- Use of tipover restraints may only reduce, but not eliminate, the risk of tipover.**

This is permanent label. Do not remove.

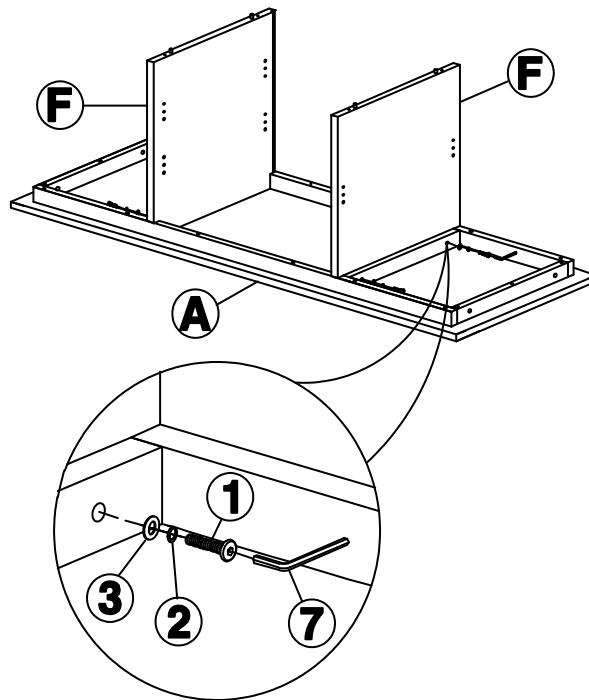
HARDWARE LIST

When unpacking, please be careful not to discard any parts with the packaging. Before continuing, please make sure you have all of the following hardware:

NO	Description	Qty	Sketch	NO	Description	Qty	Sketch
1	Bolt (M6 x 35mm)	18		2	Spring Washer (φ6.5 x 11mm)	18	
3	Large Flat Washer (φ6.5 x 19mm)	16		4	Wooden Knob (φ38 x 30mm)	1	
5	Medium Pan head screw *Metal knob: (M4x22mm) *Wooden knob: (M4x25mm)	1			METAL KNOB (φ30 x 30mm) GOES WITH FINISHED ITEM ONLY.	1	
6	Door pin (φ5.2/13x1.2mm) (φ7x10mm)	2		7	Allen key (M4 x 30mm x 110mm)	1	
8	Short Screw (M3.5 x 15mm)	16		9	Magnet	1	
10	Bracket (6.2mm)	16		11	Steel Tip Bracket	4	
12	Flat Nylon Tie	2		13	Short Pan head screw (M4 x 15mm)	2	
14	Long Pan head screw (M4 x 50mm)	2		15	Pan head screw (M3 x 15mm)	2	
16	Small Flat Washer (φ6.5 x 13mm)	2					

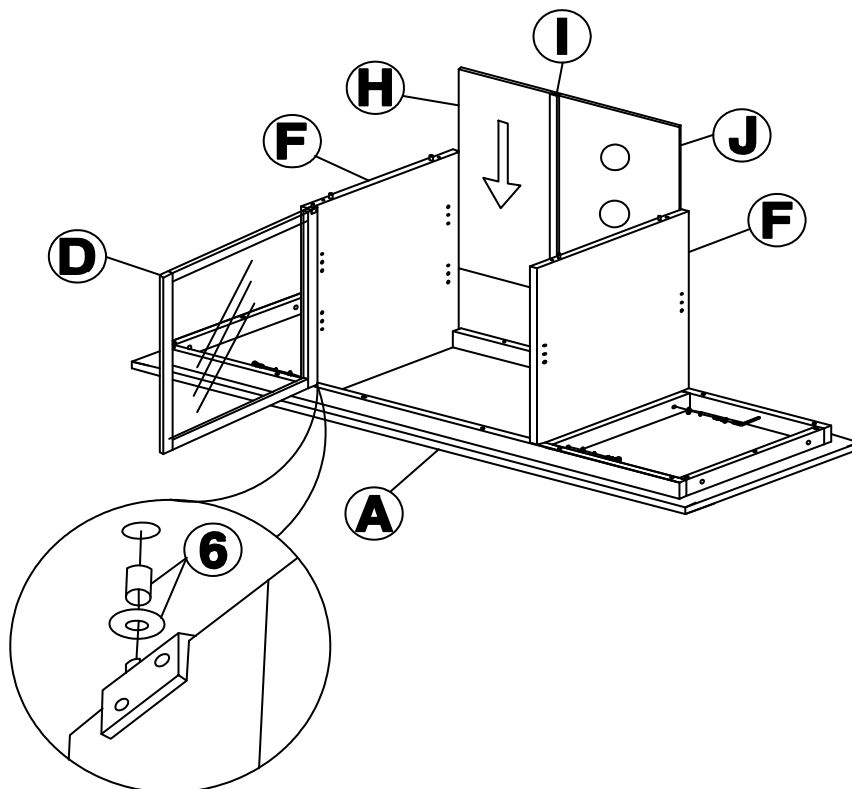
STEP 1

Attach the panels (F) to the top (A) with bolts (1), and washers (2) and (3) as shown below. Tighten with Allen key (7).



STEP 2

Attach H-connector (I) to top (A). Then slide back panels (J) and (H) into the grooves as shown below. Attach door (D) to the top (A) with door pins (6) as shown below.

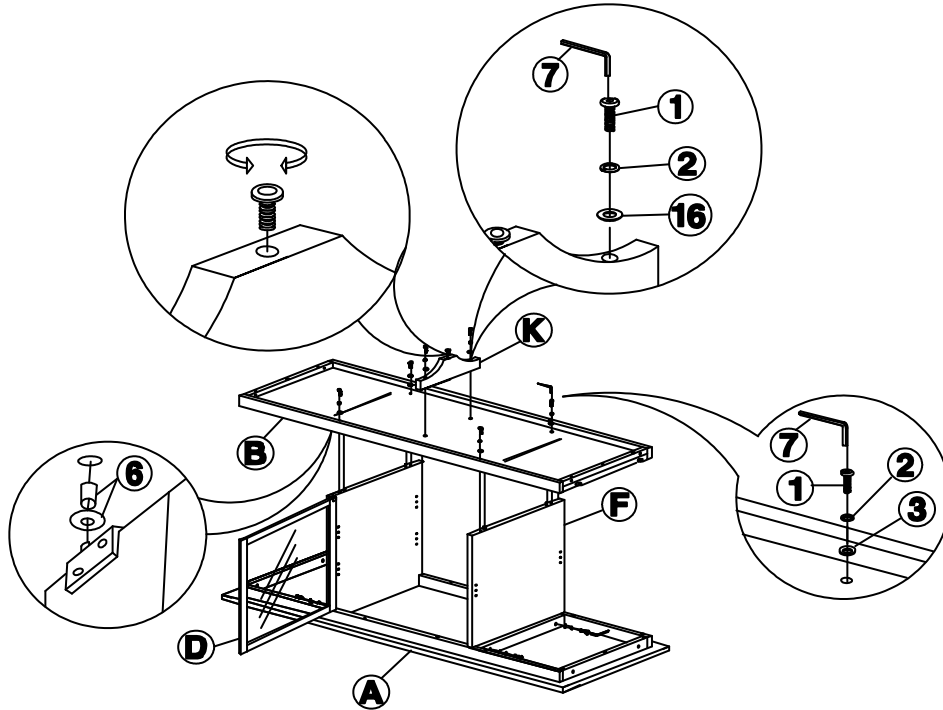


STEP 3

Attach bottom panel (B) to the panels (F) with bolts (1), and washers (2) and (3) as shown below. Tighten with Allen key (7).

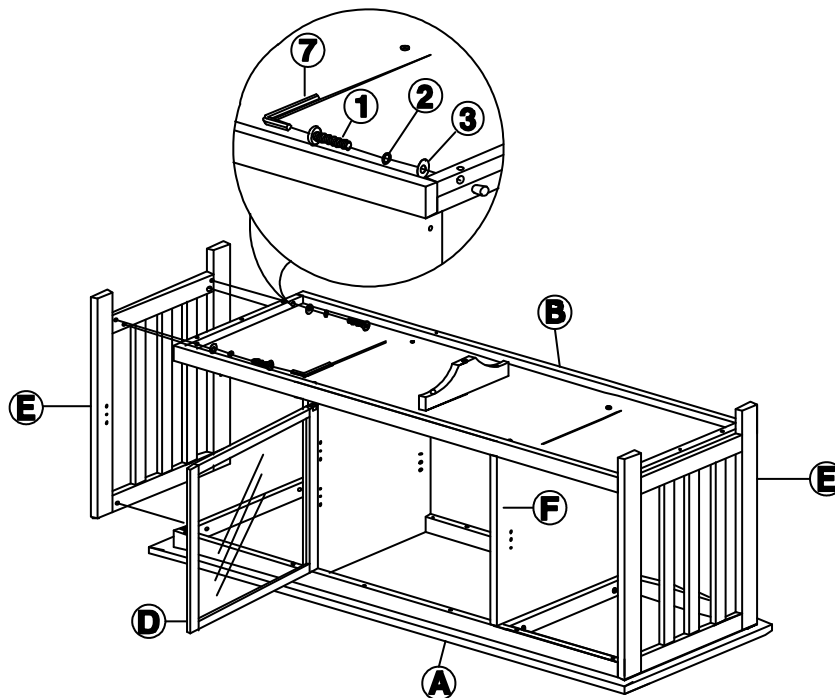
Attach door (D) to the bottom panel (B) with door pins (6).

Attach support leg (K) to bottom panel (B) with bolts (1), and washers (2) and (16) as shown below. Tighten with Allen key (7).



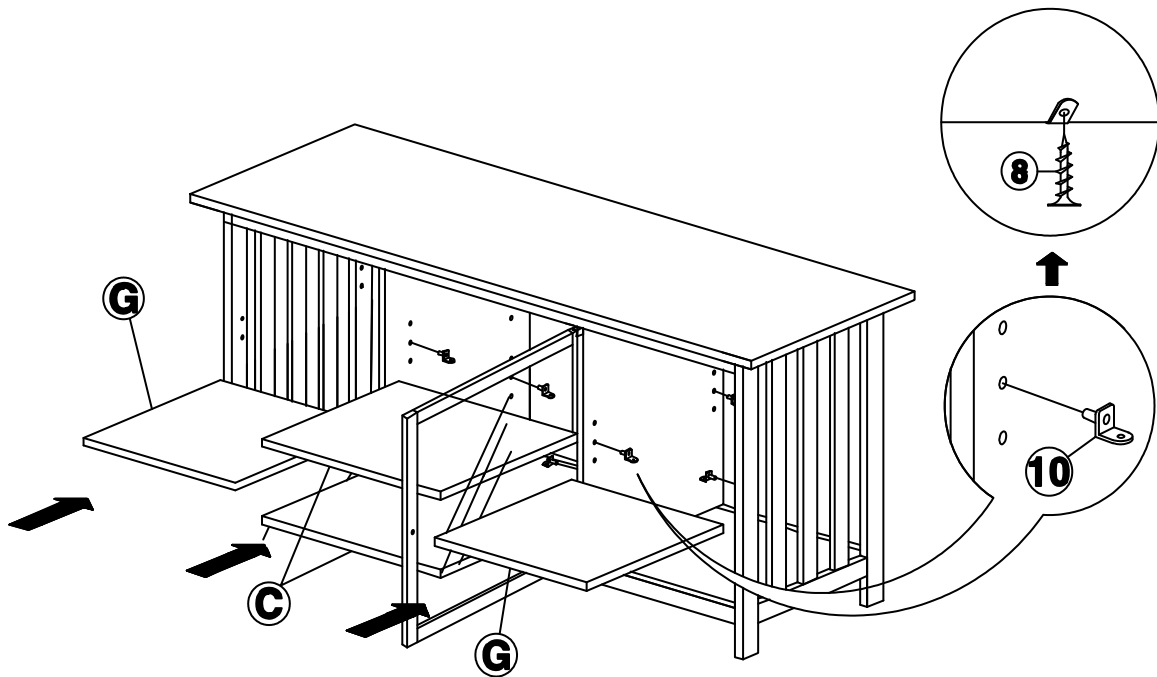
STEP 4

Attach side frames (E) to the unit with bolts (1), and washers (2) and (3) as shown below. Tighten with the Allen key (7).



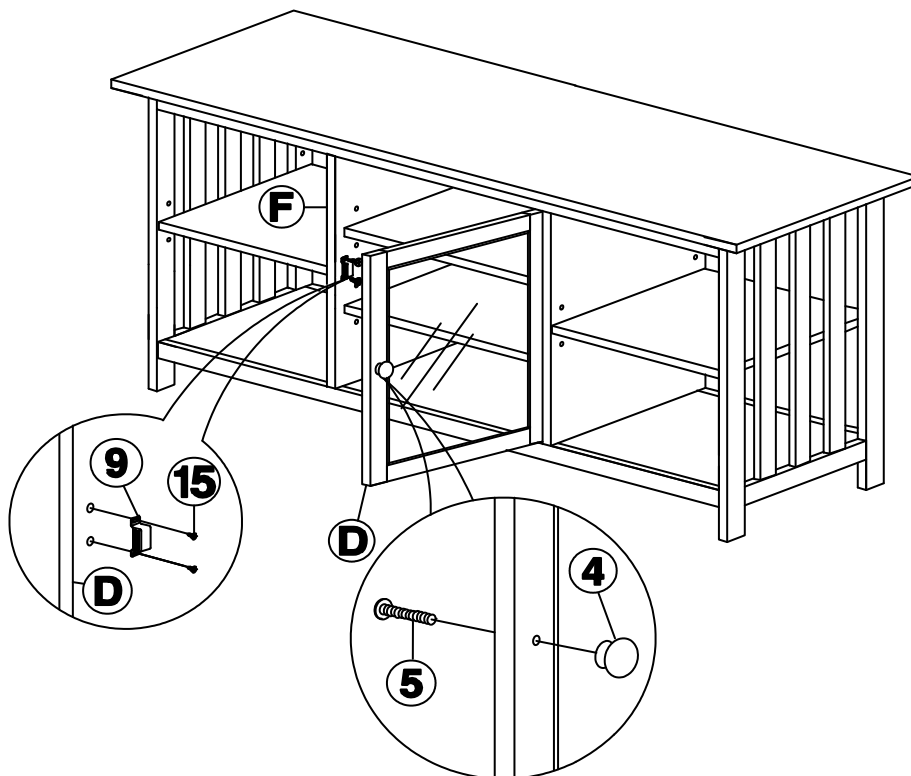
STEP 5

Insert brackets (10) into the unit. Place the shelves (C) and (G) on the brackets and attach with screws (8) as shown below. Tighten with a screwdriver.



STEP 6

Attach magnet (9) to the unit with pan head screws (15) as shown below. Tighten with a screwdriver. Attach the knob (4) to door (D) with screw (5) as shown below. Tighten with a screwdriver.



STEP 7

Attach brackets (11) to the back of the unit with screws (13) through the smaller holes in the brackets as shown below.

Important!

Properly attach the other brackets (11) to the wall in an area of ***drywall or plaster with a wood stud***: Mark the attachment point(s) with a pencil at the appropriate height **positioned over the wood stud(s) in the wall**.

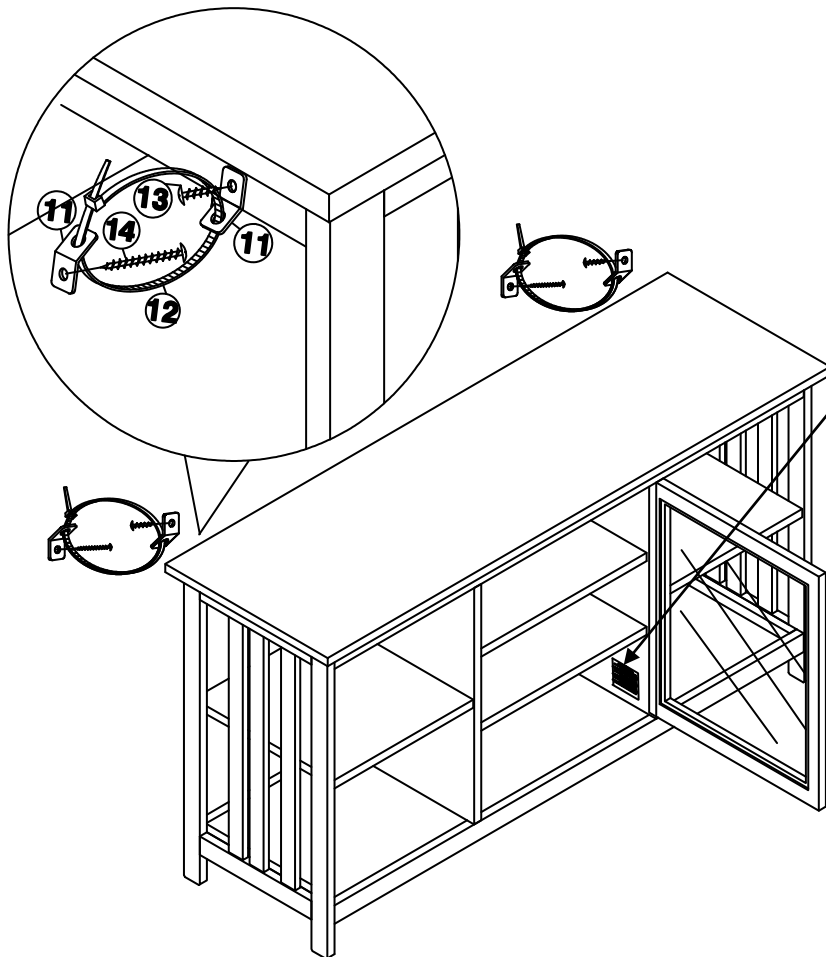
Place the unit into position so both mounting brackets are vertically in line.

Adjust the levelers to the appropriate height to level the unit.

Properly attach the other brackets (11) to the wall stud with screws (14) through the smaller holes as shown below.

Lace the end of flat nylon ties (12) through the larger holes in each mounting bracket. Bring both ends together and slide the flat ends through the locking ends and draw it through until all slack is removed.

Confirm that the strap is securely laced and locked.



WARNING

Serious or fatal crushing injuries can occur from furniture tipover. To help prevent tipover:

- Install tipover restraint provided.
 - Place heaviest items in the lower drawers.
 - Unless specifically designed to accommodate, do not set TVs or other heavy objects on top of this product.
 - Never allow children to climb or hang on drawers, doors or shelves.
 - Never open more than one drawer at a time.
- Use of tipover restraints may only reduce, but not eliminate, the risk of tipover.**

This is permanent label. Do not remove.