












Assembly Instructions

Caution: You must read this before you proceed

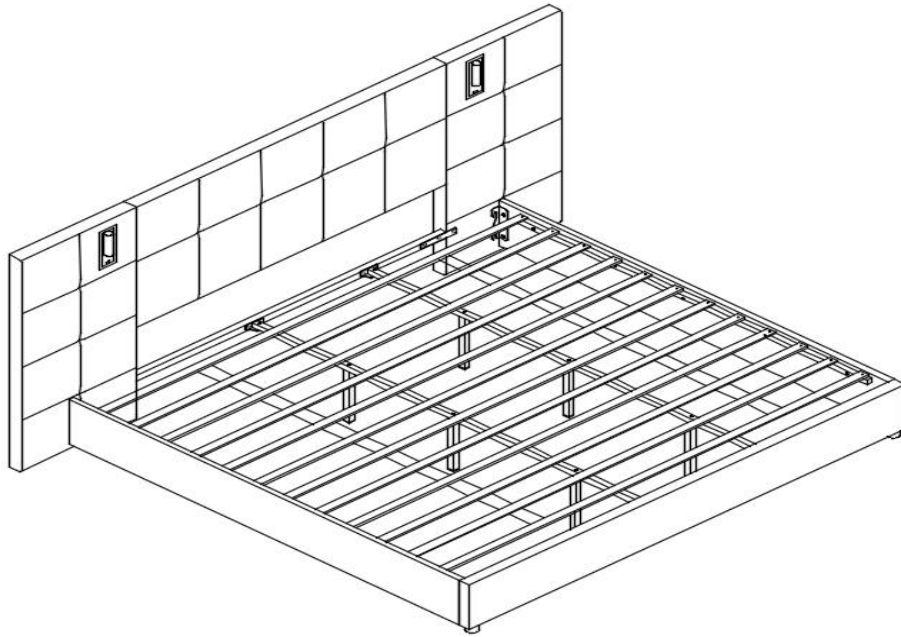
Care & Maintenance

	<ul style="list-style-type: none">• Not for commercial use. For residential use only.
	<ul style="list-style-type: none">• Furniture may scratch floors. We recommend using furniture pads to protect your floors.
	<ul style="list-style-type: none">• Do not put hot items directly on furniture surface.
	<ul style="list-style-type: none">• Do not clean furniture with harsh cleansers or polish.
	<ul style="list-style-type: none">• Do not place furniture under direct sunlight.
	<ul style="list-style-type: none">• Do not place furniture near heating or cooling vents.
	<ul style="list-style-type: none">• Do not write on furniture without a padded barrier to protect the surface.
	<ul style="list-style-type: none">• Do not place furniture outside . For indoor use only.
	<ul style="list-style-type: none">• Stains may be removed with mild soap solution and damp cloth.
	<ul style="list-style-type: none">• Children should not climb or jump on the furniture.
	<ul style="list-style-type: none">• Dust and pick-up spills using a clean, non-colored, lint-free cloth.

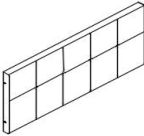




Please look in the magic tape pouch for hardware packs and legs.

Sets often ship in multiple boxes and may arrive a day or two apart.

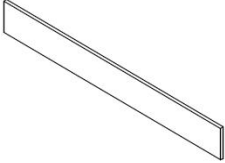
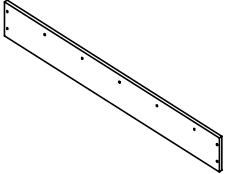
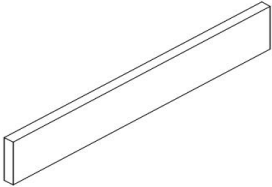
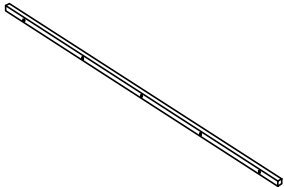
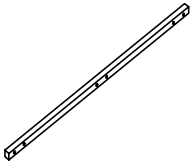
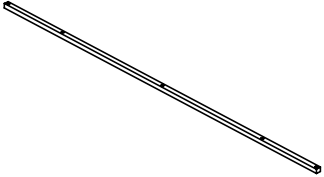
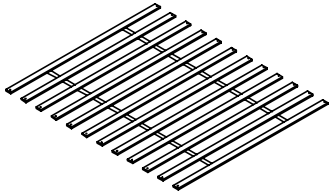
BED

















Part List

Label	Picture	Description	QTY
A		Head board	1
B		Side head board (Labelled "B")	1
C		Side head board (Labelled "C")	1
G		Bed legs	2
K		Middle support leg	6

Part List

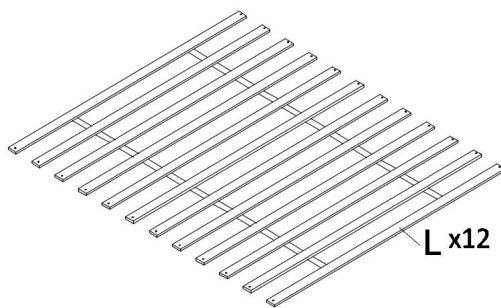
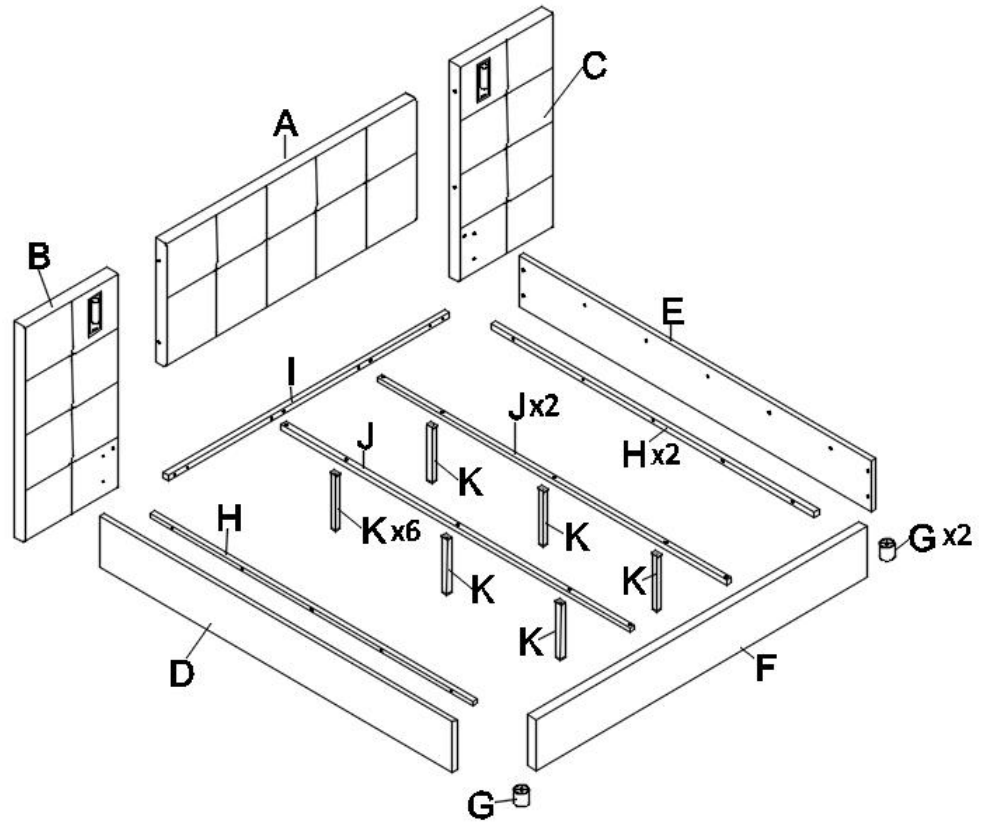
Label	Picture	Description	QTY
D		Side rail (Labelled "D")	1
E		Side rail (Labelled "E")	1
F		Foot board	1
H		Side rails support bar	2
I		Head board cross bar	1
J		Center support bar	2
L		Slats	12











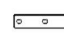



Hardware

Label	Picture	Description	QTY
①		Allen Wrench(M5)	1
②		Bolts (M8x45mm)	25
③		Hinge	4
④		Bolts (M8x18mm)	31
⑤		Washer	4
⑥		Three hole iron	2
⑦		Nails (M3X16mm)	2
⑧		Center support bar fittings	4
⑨		Nails (M4x50mm)	2
⑩		Buckle	1
⑪		Black sticky pad	2
⑫		Nails (M4X25mm)	25
⑬		Power line	1
⑭		Power adapter	1

Assembly Preparation

Before Beginning Assembly:



- | | | | |
|---|--|---|---|
| ① |  | ⑧ |  x4 |
| ② |  x24 | ⑨ |  x2 |
| ③ |  x4 | ⑩ |  x1 |
| ④ |  x30 | ⑪ |  x2 |
| ⑤ |  x4 | ⑫ |  x24 |
| ⑥ |  x2 | ⑬ |  x1 |
| ⑦ |  x2 | ⑭ |  x1 |



- Read instructions, cover to cover-



- Have 2 adults on hand for assembly-



- Do not assemble on flooring or carpet-



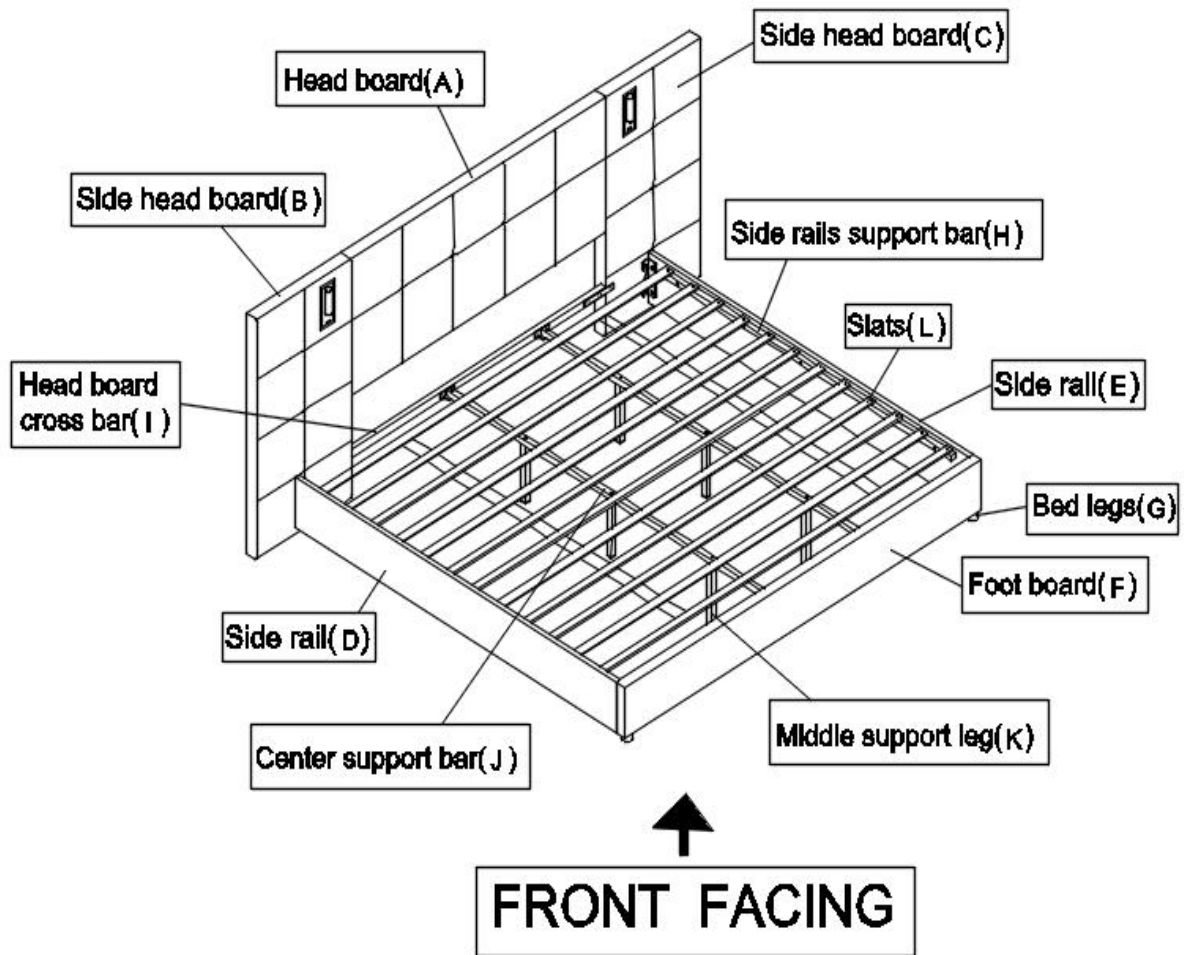
- Assemble on a clean non-marring surface (packing foam)-



- Save all packaging until finished-

Assembly Steps

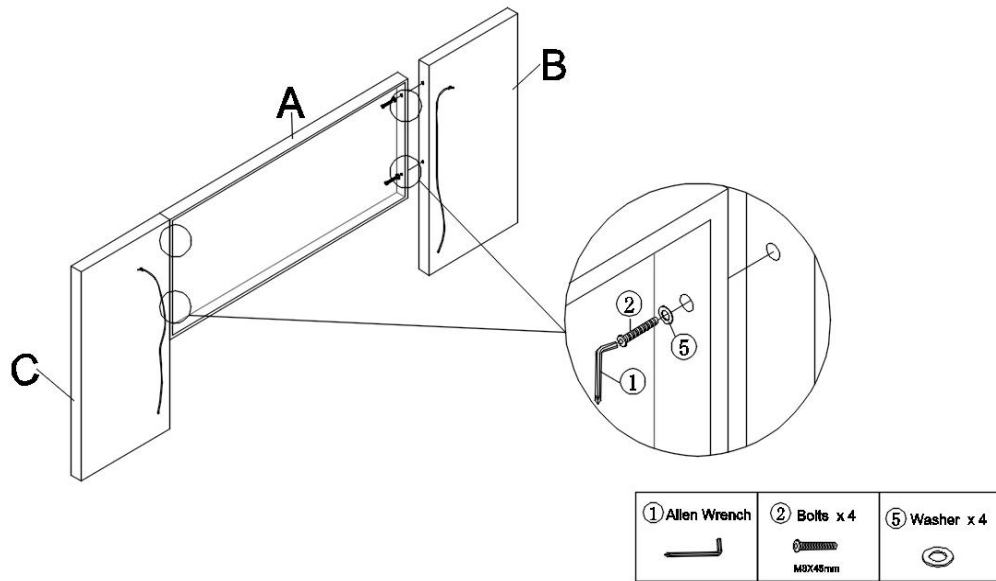
OVERVIEW



This bed has multiple parts and may require up to 60 minutes to assemble. To give you an overview of the bed parts, the above picture is to help you put the various parts into perspective. Please read through the instructions below to familiarise yourself with the parts and steps before assembly.

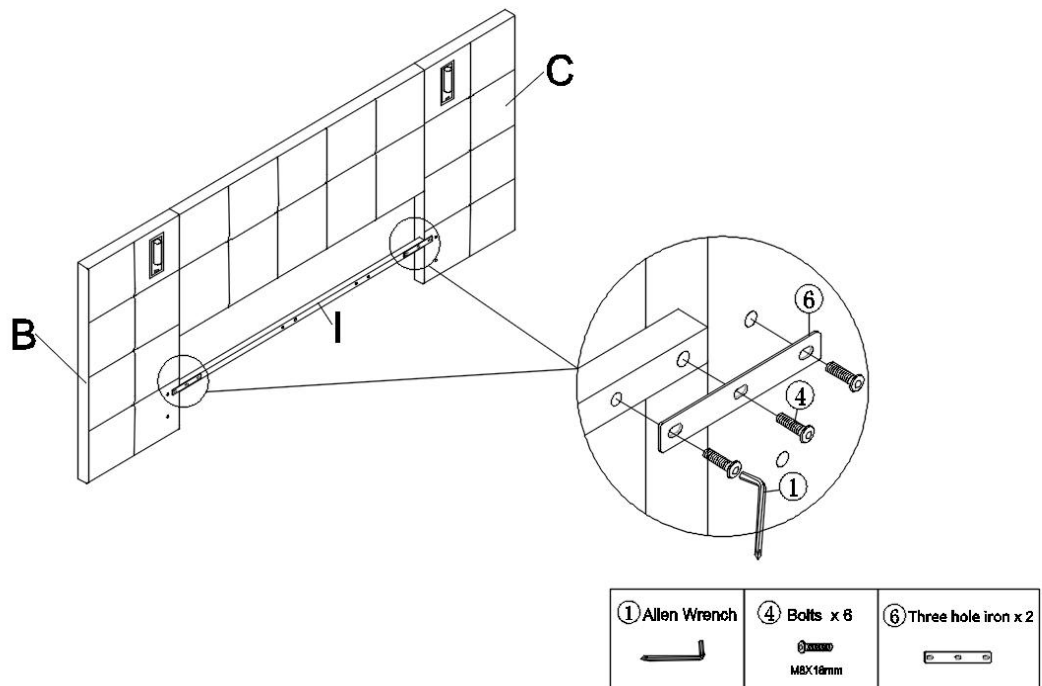
Note: It is recommended that you have an adult partner to assist during the entire assembly process.

Step 1



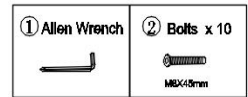
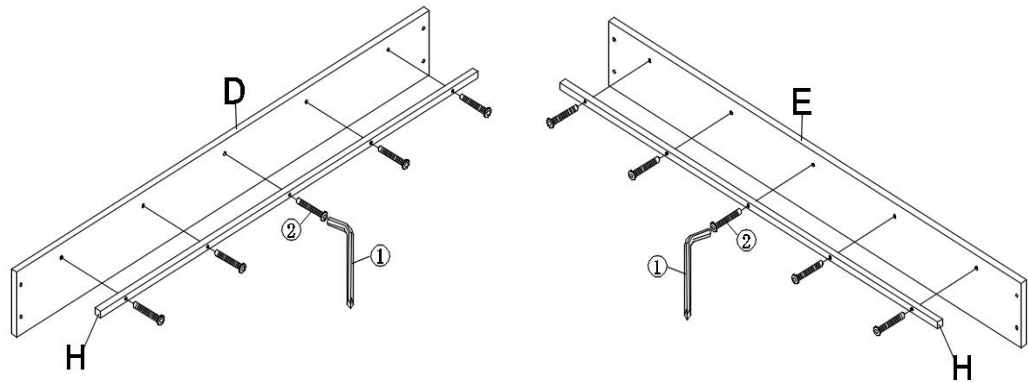
Fix the side headboard (B/C) to the headboard (A) with Bolts(②) and Washers(⑤) by using Allen Wrench(①) .

Step 2



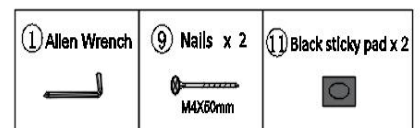
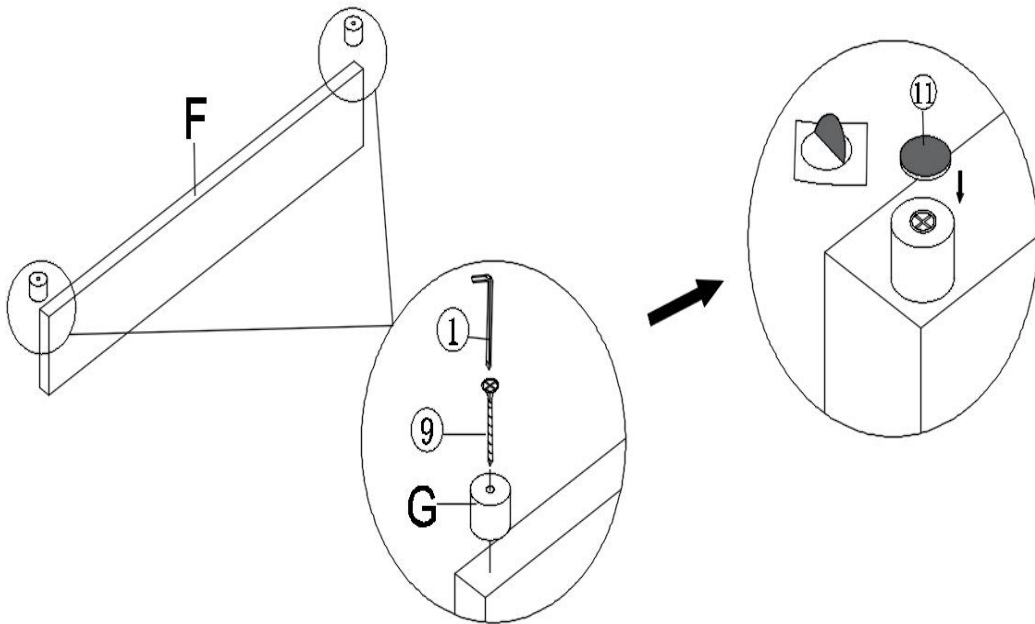
Fix the headboard cross bar (I) to the side headboard (B/C) with Bolts (④) and Three hole iron(⑥) by using Allen Wrench(①).

Step 3



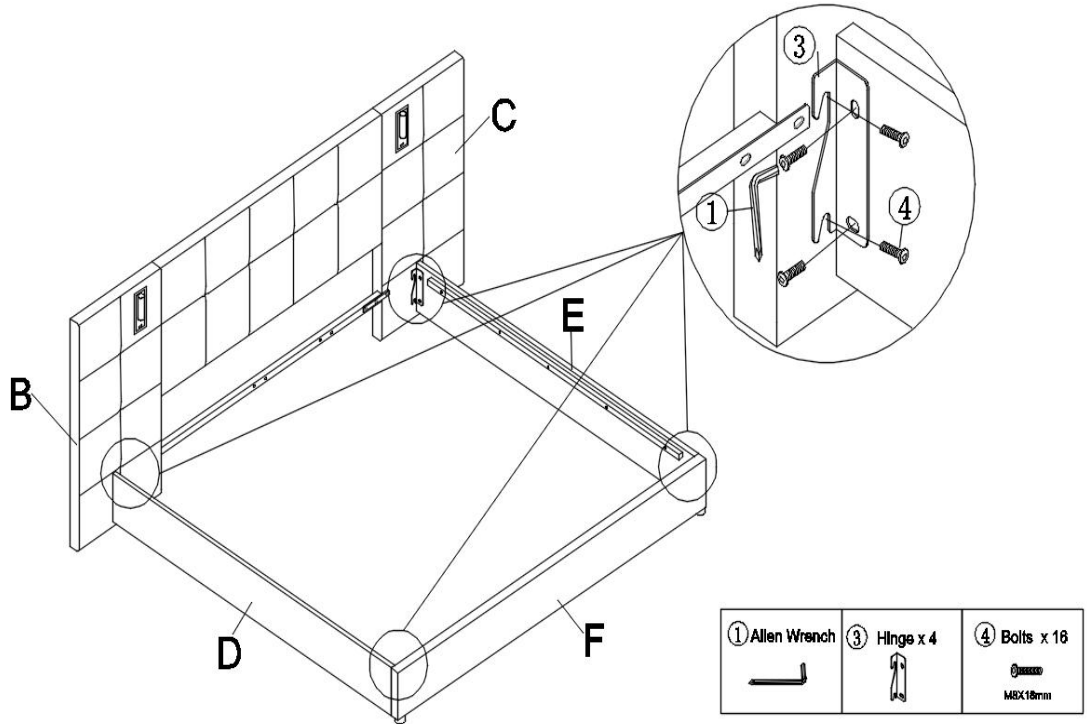
Fix the Siderail support bar (H) to Siderails (D/E) with Bolt(②) by using Allen Wrench(①) .

Step 4



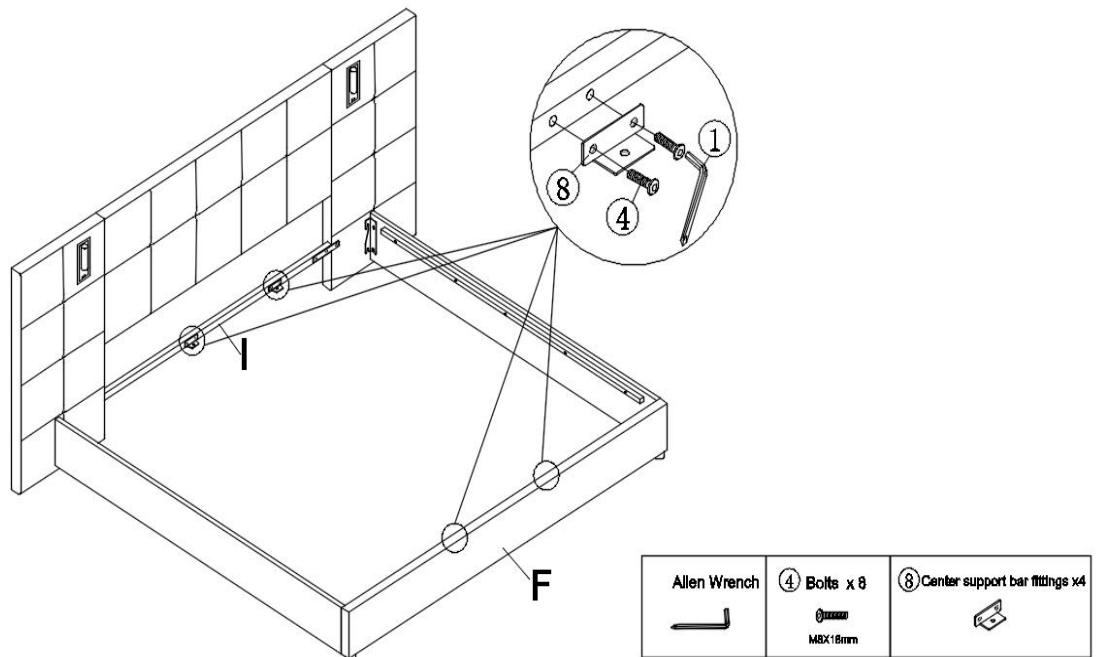
Fix the legs (G) to the Footboard (F) with Nails(⑨)by using Allen Wrench(①)or Electric drill,then fix the Black sticky pad(⑪)to the leg.

Step 5



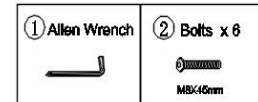
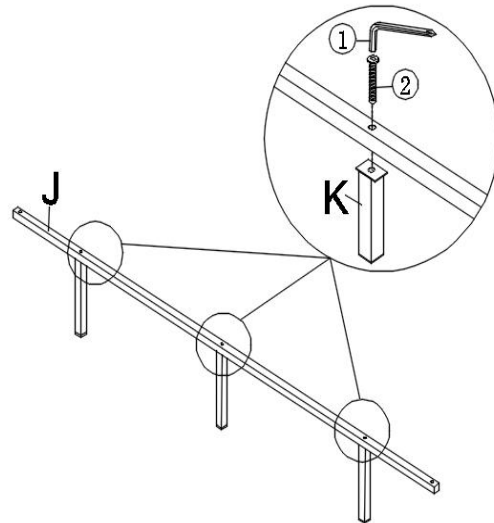
Fix the side rails (D/E) to the side headboard (B/C) and footboard (F) with Bolts(④) and Hinges(③) by using Allen Wrench(①) .

Step 6



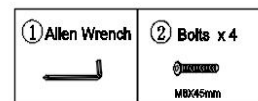
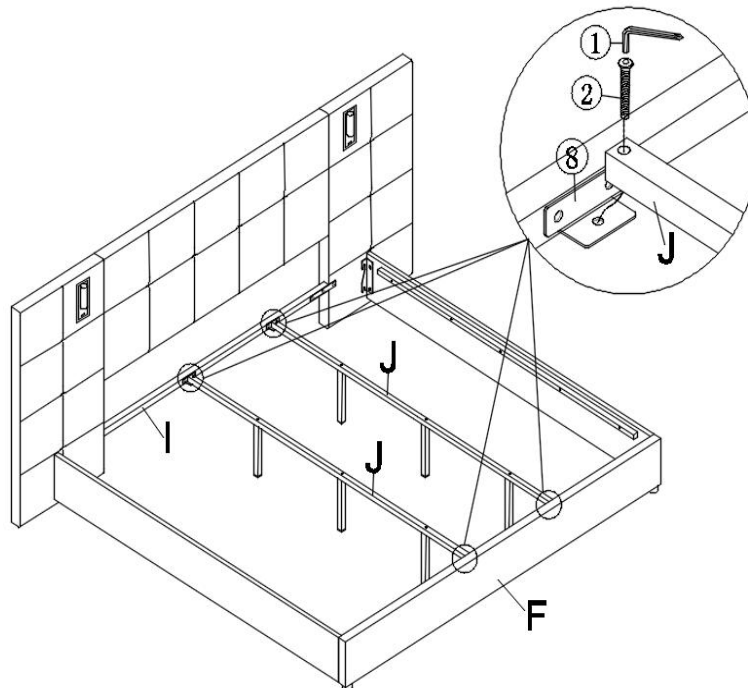
Fix the Center support bar fittings(⑧) to the Headboard cross bar(I) and foot board (F)with Bolts(④) by using Allen Wrench(①) .

Step 7 X2



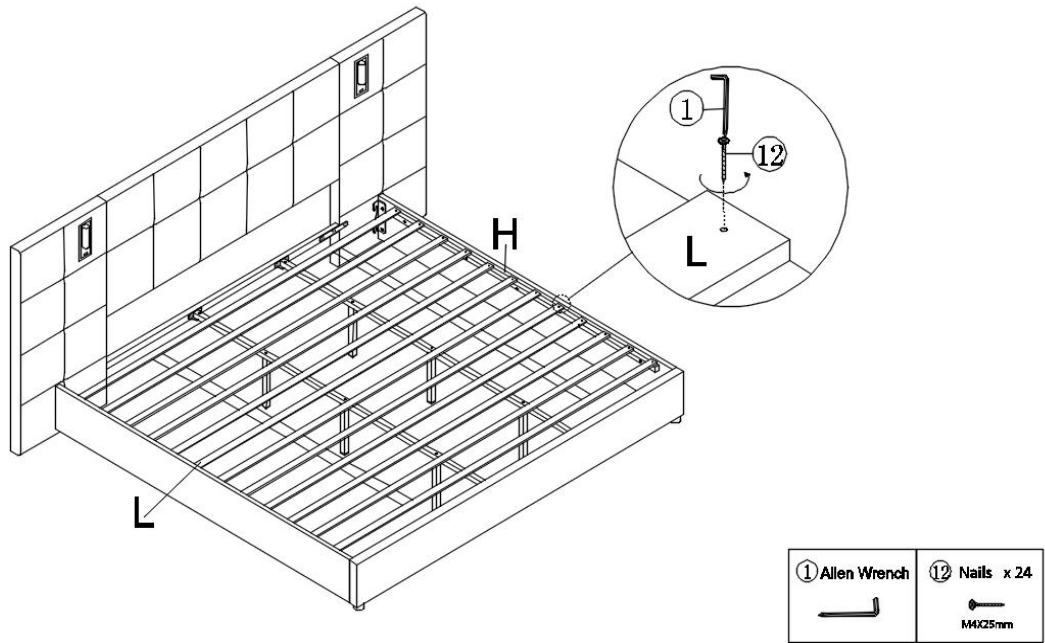
Fix the middle support leg (K) to the center support bar (J) with Bolts(②) by using Allen Wrench(①) .

Step 8



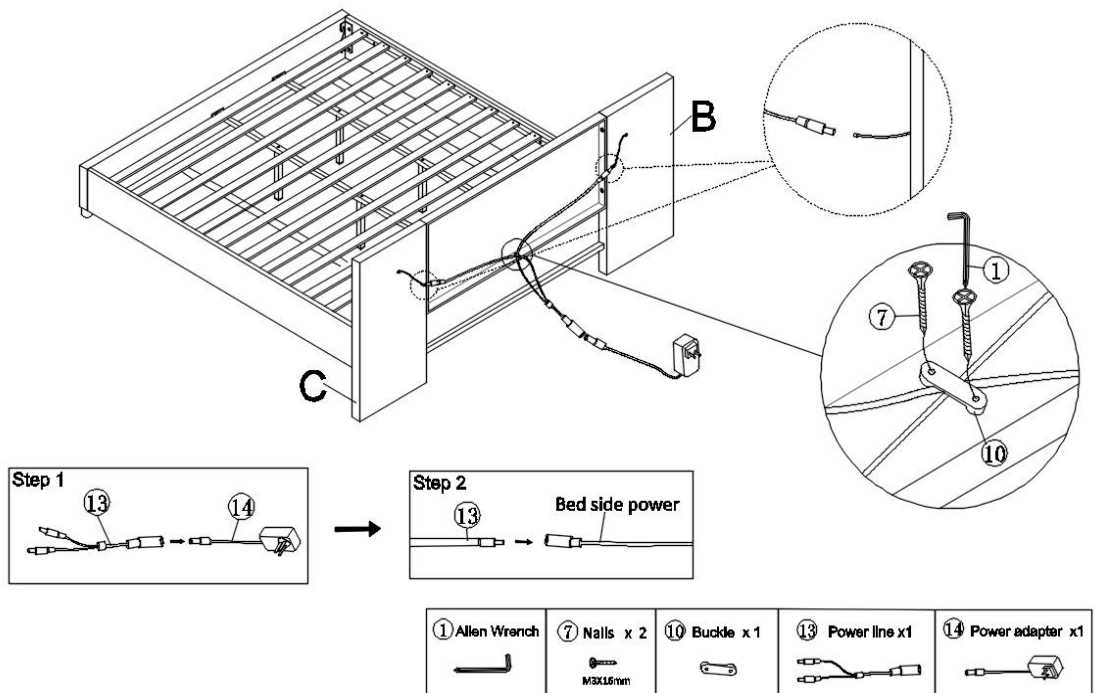
Fix the Center support bar (J) to the headboard cross bar (I) and foot board (F) with Bolts(②) by using Allen Wrench(①) .

Step 9



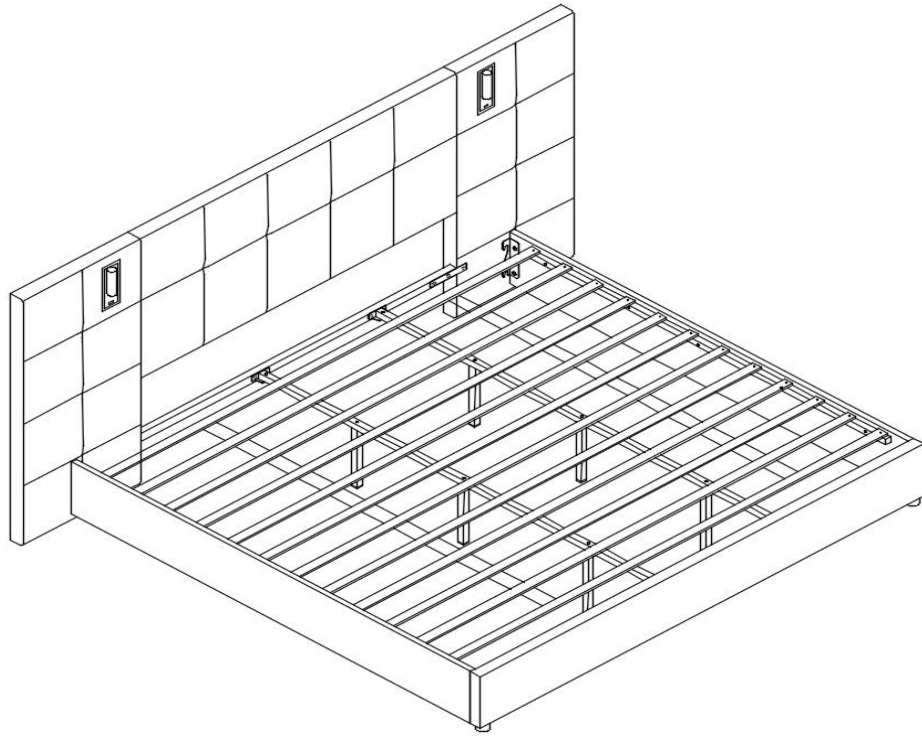
Fix the Slats (L) to the side support bar (H) with Nails(⑫) by using Allen Wrench(①) or Electric drill.

Step 10



At first, connect the Power adapter (⑭) to the Power line(⑬) .
At second, connect the Power line(⑬) to the end line of reading lamp.
At third, fix the line to the headboard with Nails(⑦) and Buckle(⑩) by using Allen Wrench(①) .
At last, connect the power and enjoy your bed.

Step 11



Your bed is ready for use.
This bed can only be used on a flat, level surface.