



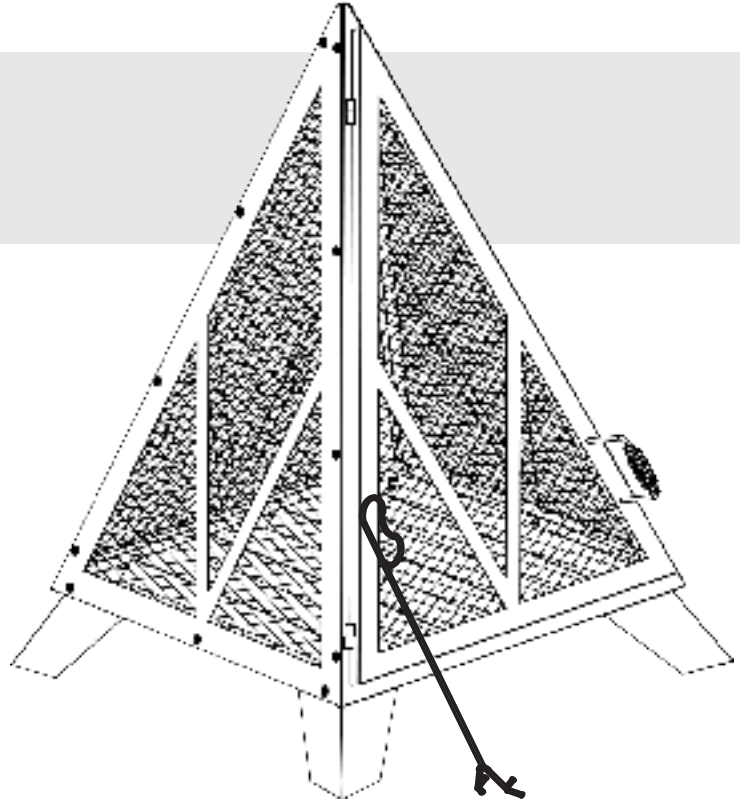
# INSTRUCTION MANUAL

## Outdoor Steel Pyramid Wood Burning Fire Pit

MODEL NUMBER: COB10516

Item Number: HS33501

Thank you for purchasing your new  
Outdoor Steel Pyramid  
Wood Burning Fire Pit



### **DO NOT RETURN THIS ITEM TO THE STORE**

Should you encounter problems after following all the steps herein contained please contact our Customer Support by phone at: 1-888-227-3340 or by email: [customerservice@dekoliving.com](mailto:customerservice@dekoliving.com). Kindly provide the model number, place and date of purchase and a short description of the problem.

**LIMITED WARRANTY** This product has a 1 year Limited Warranty. This warranty is limited to the replacement of defective parts only. Labor charges and/or damage incurred during installation, repair, replacement as well as incidental and consequential damages connected with the above are excluded. Any damage to this product as a result of neglect, misuse, accident, improper installation or use other than the purpose **SHALL VOID THIS WARRANTY**



**IMPORTANT, RETAIN FOR FUTURE REFERENCE: READ CAREFULLY**



Please read and understand this entire manual before attempting to assemble, operate or install the product. Failure to follow the dangers, warnings and cautions contained in this owners manual may result in a fire or explosion causing damage to property, serious bodily injury or death

08/2025



## **WARNING**

FOR YOUR SAFETY

For Outdoor Use Only  
(outside any enclosure)

**Installer:** Leave these instructions with the consumer.

**Consumer:** Keep these instructions for future reference.



## **WARNING**

FOR YOUR SAFETY

1) Improper installation, adjustment, alteration, service or maintenance can cause injury or property damage.

2) Read the installation, operation, and maintenance instructions thoroughly before installing or servicing this equipment.

3) Failure to follow these instructions could result in fire or explosion, which could cause property damage, personal injury or death.

### **LIMITED WARRANTY**

This product has a 1 year Limited Warranty. This warranty is limited to the replacement of defective parts only. Labor charges and/or damage incurred during installation, repair, replacement as well as incidental and consequential damages connected with the above are excluded. Any damage to this product as a result of neglect, misuse, accident, improper installation or use other than the purpose SHALL VOID THIS WARRANTY.

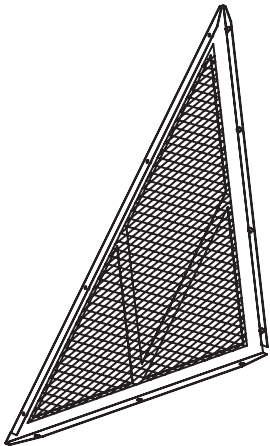
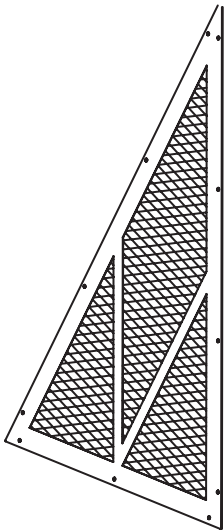
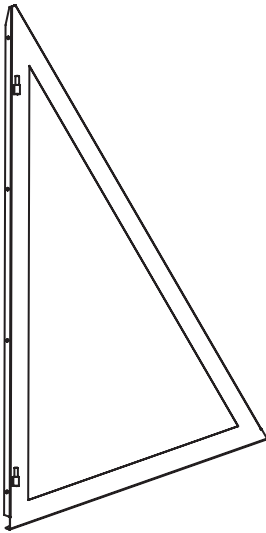
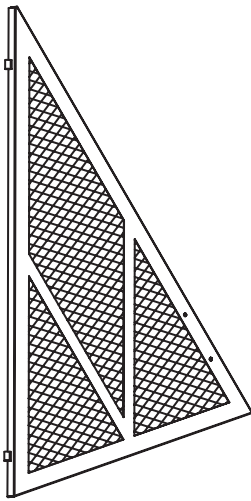
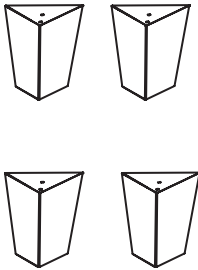
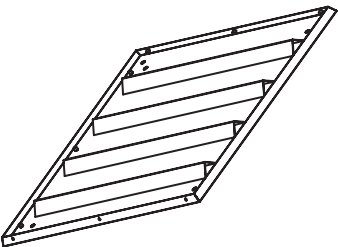
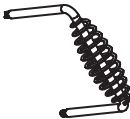




## **WARNING**


FOR YOUR SAFETY

1. This fire pit is for outdoor use only.
2. **DO NOT** use this outdoor fire pit in a building, garage, boats recreational vehicles, or any other enclosed area.
3. This outdoor fire pit is not to be operated by children.
4. Always use in accordance with all applicable local, state and national codes. Contact your local fire department for details on outdoor wood burning fire pit.
5. When using this outdoor fire pit, exercise the same precautions you would do with any open fire.
6. The use of alcohol, prescription or non-prescription drugs may impair the consumer's ability to properly assemble or safely operate this outdoor fire pit.
7. **DO NOT** use this outdoor fire pit without reading the entire "Owner's Manual" first.
8. This outdoor fire pit is for use with dry, seasoned hardwood. It will burn hotter, more completely and create less smoke. **DO NOT** burn charcoal briquets, lump charcoal, manufactured logs, driftwood, trash, leaves, paper, cardboard, painted or stained or pressure treated wood. Avoid using soft wood such as pine or cedar that can throw sparks.
9. **DO NOT** use this outdoor fire pit until it is completely assembled. **DO NOT** alter this fire pit in any manner.
10. **DO NOT** use gasoline or other flammable vapors or liquids in the vicinity of this or any other firepit.
11. **DO NOT** use this outdoor Fire pit near automobiles, trucks, vans, recreational vehicles, electrical cords or any other combustible objects.
12. Always use this outdoor fire pit on a hard, level, non-combustible surface.
13. The firepit must be inspected before each use. Always empty the fire pit before use. Leave a thin layer of ash (1/2" thick) to protect the bottom of the fire bowl.
14. The safeguard spark screen must be used while burning.
15. **DO NOT** use in windy conditions.
16. **DO NOT** wear flammable or loose clothing when this outdoor fire pit.
17. **DO NOT** use gasoline, kerosene, diesel fuel, lighter fluid or alcohol to light or relight fires.
18. Children and adults should be alerted the hazards of high surface temperatures and keep a safe distance to avoid burns or clothing.
19. **DO NOT** touch any part of the firepit until it is completely cooled down. Never touch the ashes to see if they are hot.
20. Use long, sturdy fire pit tools to add or move logs, including to take away the safeguard spark screen and replace it.
21. Never leave a lit fire pit unattended.
22. Children should be carefully supervised where they are anywhere near the Fire pit.
23. Clothing or other flammable materials should **NOT** be hung from the fire pit, or place on or near the fire pit.
24. **DO NOT** attempt to move or store this outdoor fire pit until the firepit is completely cooled down.
25. **DO NOT** move ashes until they are completely and fully extinguished.
26. **DO NOT** add additional firewood until the fire burns down.
27. Burning must be inside the metal bowl.
28. **DO NOT** put any hot part of the fire pit onto combustible surfaces such as grass, wooden deck or furniture.
29. All above must be exactly followed.

## Parts List

 <p>A x 1 Back Panel</p>	 <p>B x 2 Side Panels</p>	 <p>C x 1 Door Frame</p>	 <p>D x 1 Door Panel</p>
 <p>E x 4 Base Legs</p>	 <p>F x 1 Base</p>	 <p>G x 1 Handle</p>	 <p>H x 1 Fire Poker</p>  <p>I x 1 PU Cover</p>

## Hardware List

 <p>Bolt J x 36 pieces</p>	 <p>Washer K x 14 pieces</p>	 <p>Nut L x 2 pieces</p>	
---	---	---	--

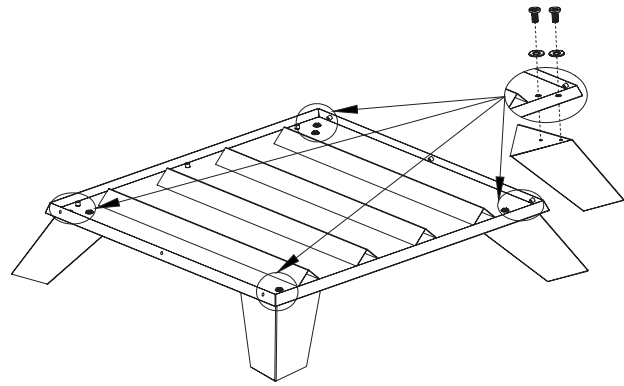
Before beginning assembly of the product, make sure all parts are present. Compare parts with package and hardware contents list. If any parts appear missing or damaged, don't use this product and call customer service immediately.

Tools Required for Assembly: Hex Key (included) and Phillip Screwdriver (not included).

## Assembly Instructions

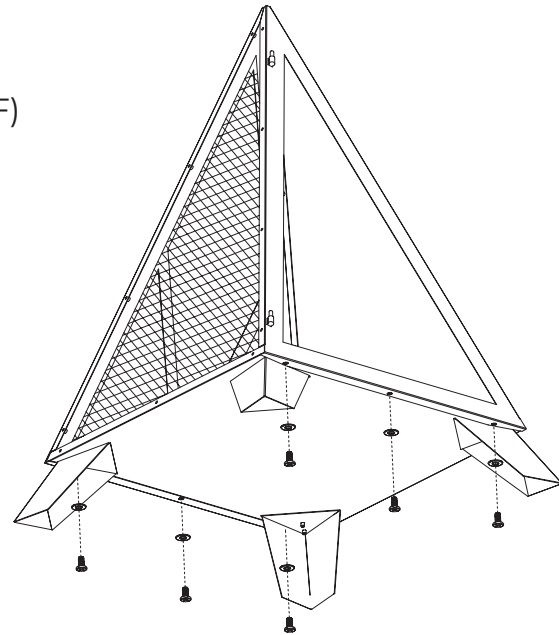
### Step 1

Attach Base Leg (E) to Base (F) using 2 Bolts (J) and 2 washers (K). Repeat the same procedure for the remaining 3 legs (E).



### Step 2

Attach the Back Panel (A) to the bottom Base (F) using 3 Bolts (J) and 3 washers (K). Repeat the same procedure to attach the Door Frame (C) to the bottom Base (F) using 3 Bolts (J) and 3 washers (K).



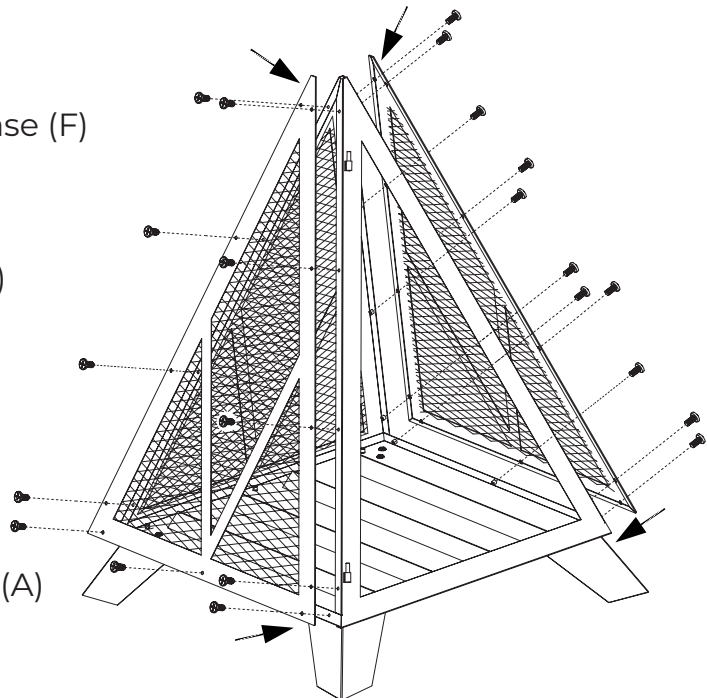
### Step 3

Attach the Side Panel (B) to the bottom Base (F) using 3 Bolts (J).

Repeat the same procedure to attach the other Side Panel (B) to the bottom Base (F) using 3 Bolts (J).

Next, attach one Side Panel (B) to the Back Panel (A) and Door Frame (C) using 8 Bolts (J).

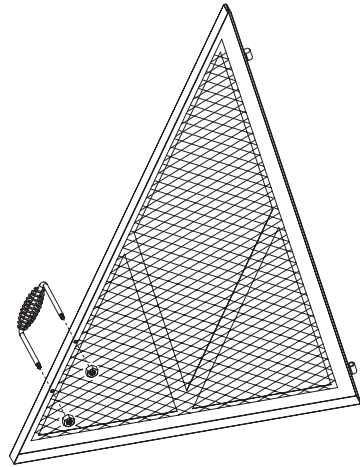
Repeat the same procedure to attach the other Side Panel (B) to the Back Panel (A) and Door Frame (C) using 8 Bolts (J).



## Assembly Instructions

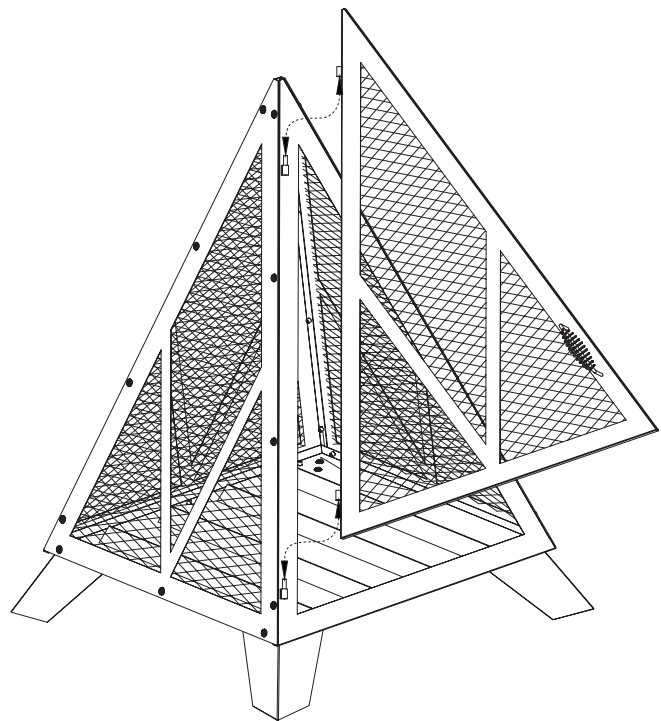
### Step 4

Attach the Handle (G) to the Door Panel (D) using 2 Nuts (L).

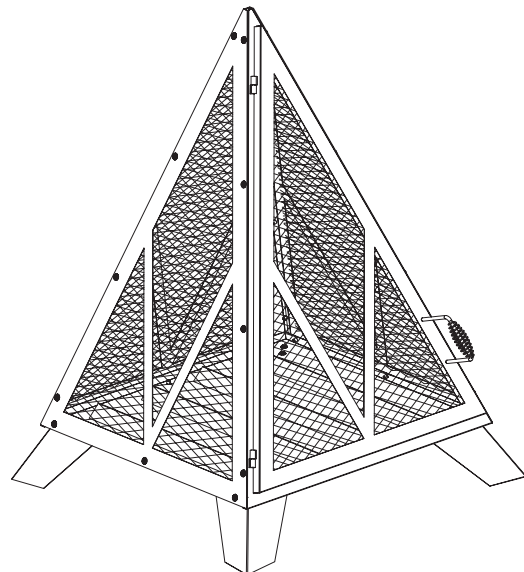


### Step 5

Place the Door Panel (D) hinge on the top side of the Left Panel (A) hinge.



Your new Outdoor Steel Pyramid Wood Burning Fire Pit is ready to use !



## Operating Instructions

---

### **To Light:**

1. Make sure all debris is removed from the firepit.
2. Place a layer of dry kindling or a natural firestarter onto the center of the log rack.
3. Place above that, a layer of dry seasoned hardwood that is cut to lengths no more than 3/4 the width of the firebowl.
4. Use a long match to light kindling.

### **To Extinguish:**

1. Allow fire to burn itself out.
2. Do NOT use water to extinguish, as this is dangerous and can cause damage to the fire pit.

### **Tending the Fire:**

1. While using the fire poker, shift embers/wood logs to allow additional airflow.
2. Wait until glowing embers have developed before adding any additional wood. If additional wood is required, place wood on top of embers. Be careful not to shift ashes.
3. Please don't close mesh blocker until the log fire turns to charcoal fire.

- This outdoor fire pit should be inspected on a regular basis to ensure product safety and long product life.
- Check handles to make sure they are secure.
- Check components for any signs of damage.
- Wipe exterior surfaces with a mild cleaning product and water.
- For stubborn surfaces use a citrus based degreaser and soft cloth.
- Rinse surfaces clean of any cleaning product with water after cleaning is complete.
- Remove built-up creosote from components with a chimney cleaning product.
- Store firepit in a cool dry place.
- Use manufacturer approved or supplied replacement parts and accessories only. Otherwise it may void the warranty of this product and result in a hazardous condition.
- Keep the fire pit free and clear from combustible materials and debris.
- Maximum fuel capacity of 8lbs