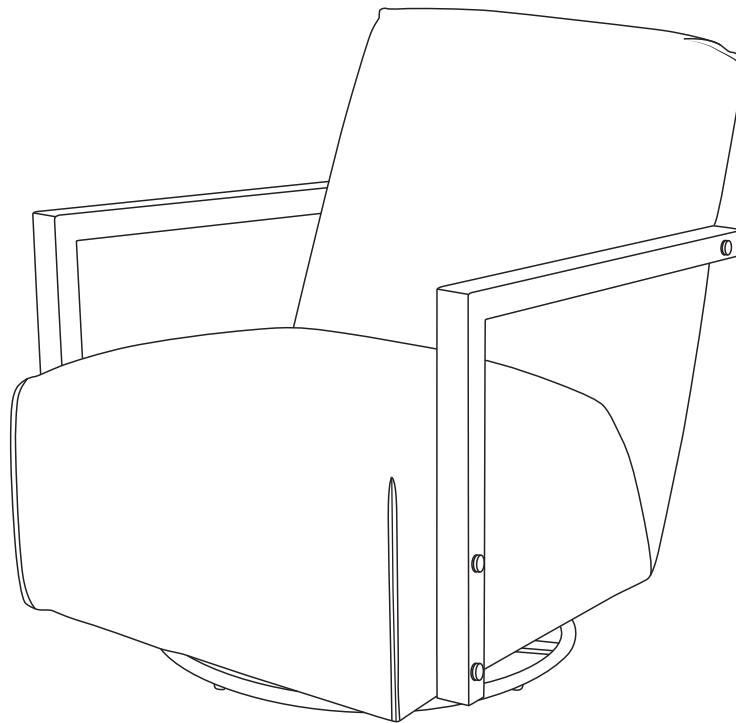


# Assembly Manual

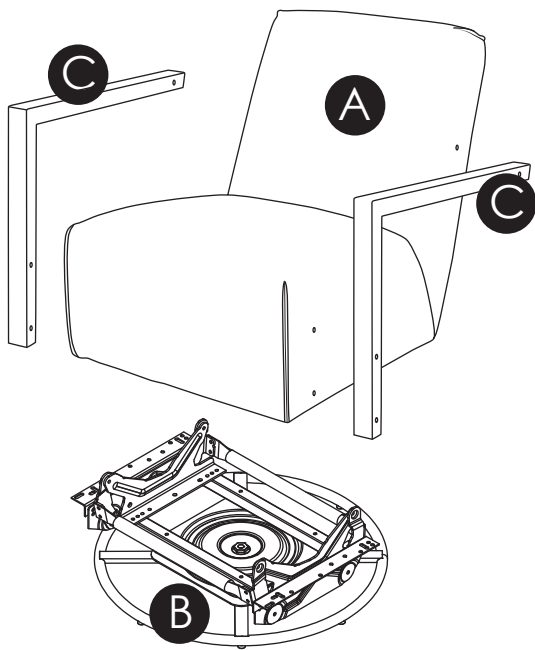
## Manual Recliner



**▲ CAUTION**

THIS ASSEMBLY MANUAL CONTAINS IMPORTANT SAFETY INFORMATION.  
PLEASE READ AND KEEP FOR FUTURE REFERENCE.

## COMPONENTS



**A Chair Body**

1X

**B Swivel Base**

1X

**C Wooden Armrest**

2X



(Note: Bolts (H1) have been pre-assembled on the bottom of chair)

**H1 Short Bolt (M6x25mm)**

4X



**H2 Long Bolt (M8x70mm)**

6X



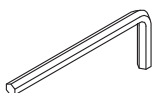
**H3 Thread Washer**

6X



**H4 Decorative Cover**

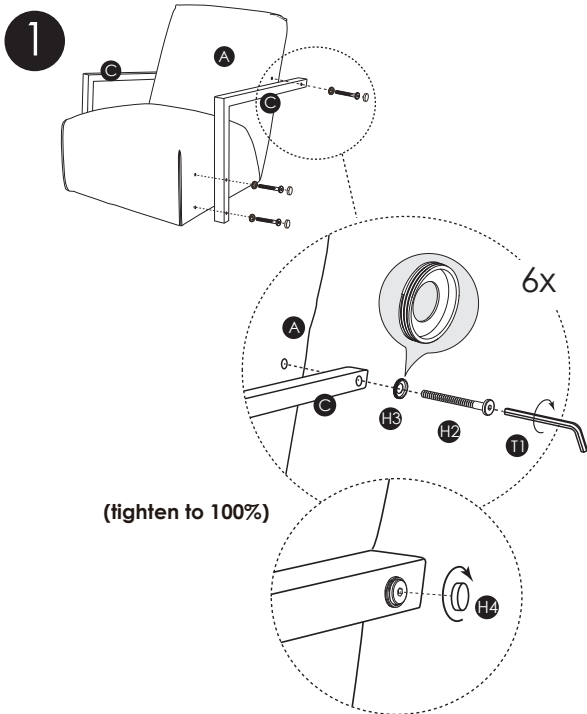
6X



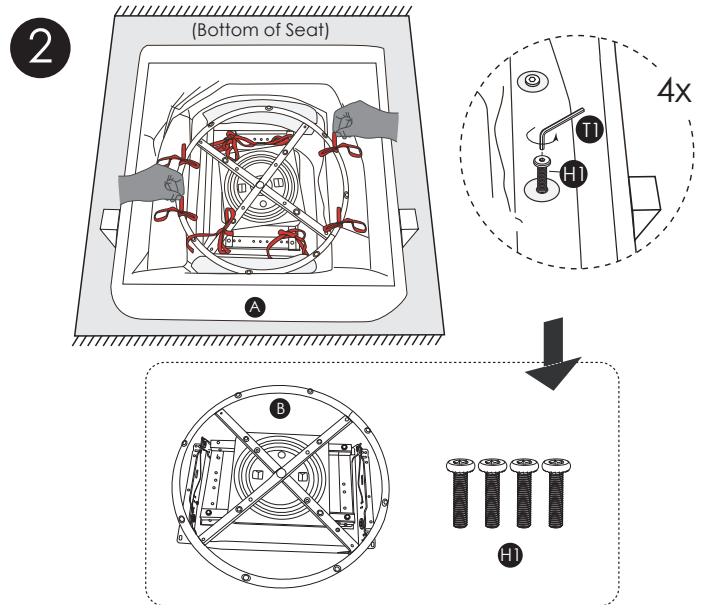
**T1 Allen Wrench**

1X

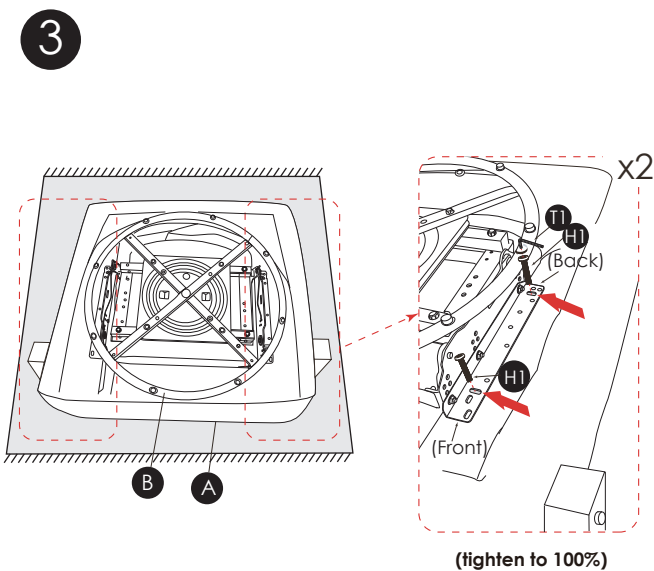
## ASSEMBLY INSTRUCTIONS



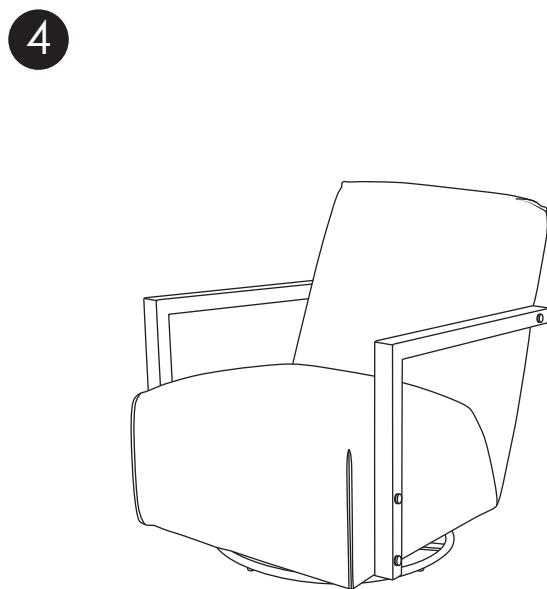
Assemble the wooden armrests.



Please lay the Chair Body (A) on soft, clean surface to assemble. Remove the Swivel Base (B) from the bottom of seat by removing all red ribbons. Then loosen all four Short Bolts (H1).



Assemble the Swivel base.  
Fully tighten all bolts.



## **PRODUCT WARRANTY**

1-year limited on leather against splitting, peeling, and/or tearing.

1-year limited on internal and external frame structure.

1-year limited on cushioning material, seat springs and mechanism.

## **CARE & MAINTENANCE**

Periodic dusting will prolong the life of your leather.

General cleaning can be done with a damp, clean, soft white cloth.

Periodically, a mild leather cleaner can be used on the headrests and armrests. This will help prevent buildup of body and hair oils which can harm the leather over time.

For more stubborn stains, a mild leather cleaner can be used or consult a professional leather technician.