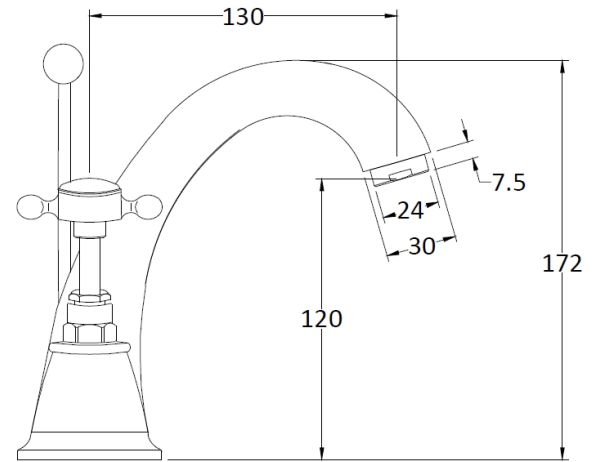
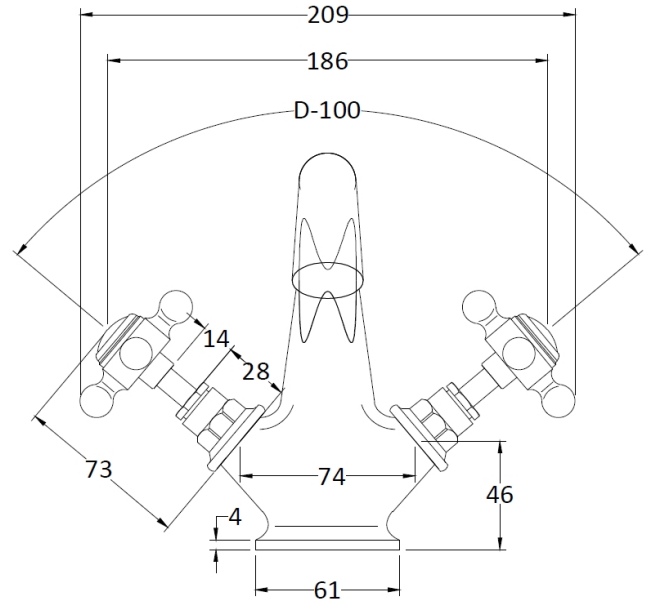


CUSTOMER DATA SHEET - BRASSWARE

SALES CODE: BC305HX

DESCRIPTION: Topaz Mono Basin Mixer



PRODUCT DIMENSIONS

| Height (mm) | Width (mm) | Depth (mm) | Length (mm) | Nett Wgt Kg |
|-------------|------------|------------|-------------|-------------|
| | | | | 2.2 |

PACKAGING DIMENSIONS

| Height (mm) | Width (mm) | Depth (mm) | Gross Wgt Kg |
|-------------|------------|------------|--------------|
| 125 | 220 | 390 | 2.4 |

PACKAGING DATA

| | | | |
|------------|---|--------------|--|
| Box Colour | | Label Colour | |
| Box Qty | | Label Qty | |
| Label Size | x | | |

OUTER BOX DIMENSIONS (If Applicable)

| Height (mm) | Width (mm) | Depth (mm) | Length (mm) | Gross Wgt Kg |
|-------------|---------------|------------|-------------|--------------|
| | | | | |
| Barcode | 5055275830697 | | | |

PRODUCT DETAILS

| | | | |
|--------------------------|----------------|--------------|--|
| Country of Origin | United Kingdom | | |
| Fitting Instruction | Yes | | |
| Product Material | | | |
| Control Type | | | |
| Waste Included | | | |
| WRAS Approval | | Approval No. | |
| Operating Pressure (bar) | | | |
| Valve/Cartridge Type | | | |

| | | | | | |
|-----------------------------|---------|---------|-------|-------|-------|
| Colour/Finish | | | | | |
| Mount Type | | | | | |
| Waste Type | | | | | |
| Flow Rates (Litres Per Min) | 0.1 bar | 0.5 bar | 1 bar | 2 bar | 3 bar |
| Pipe Size | | | | | |
| Pipe Centres | | | | | |