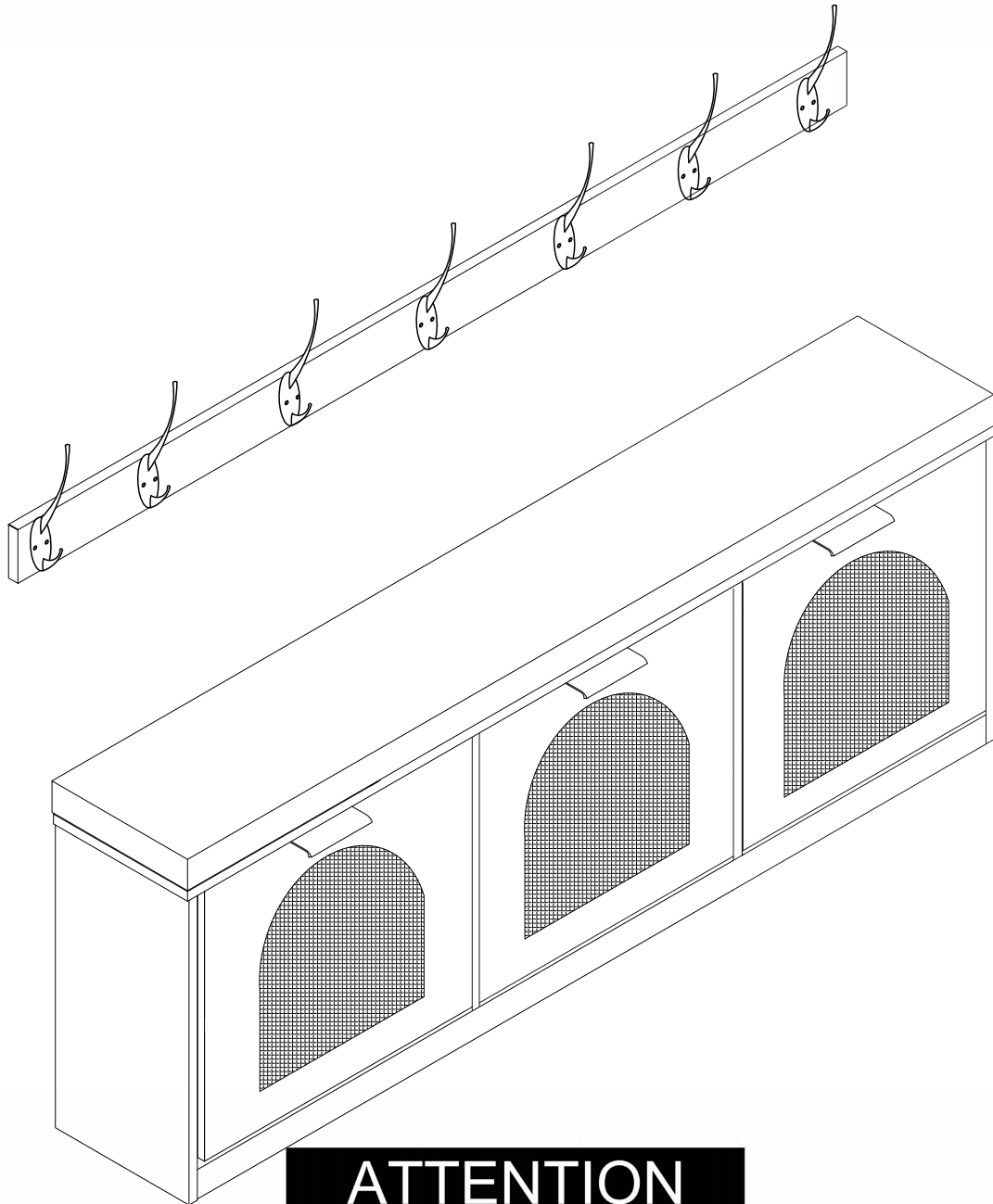


# ASSEMBLY INSTRUCTIONS



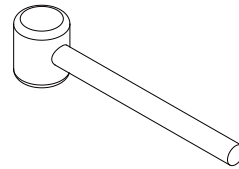
## ATTENTION

Prior to assembly, please check and count all parts and hardware regarding to the list on page 4-5 of the instruction. If there is any part missing or damaged, please send us messages with the part name and number or send us pictures, we will send you the replacement asap.

If you have any questions about the product or assembly, please kindly contact us at anytime, we will solve your problem asap.

## ASSEMBLY TIPS

1. Please follow each step in the manual to ensure the proper assembly of this product.
2. Assemble the product in a spacious space, and on a soft, clean surface to avoid damage and scratches.
3. 2 people are recommended for ease in the assembly of this product.
4. Ensure all parts and hardware are available before assembly, if you find any part is damaged or missing, please email us
5. You will use the following tools: a Phillips head screwdriver, a rubber hammer

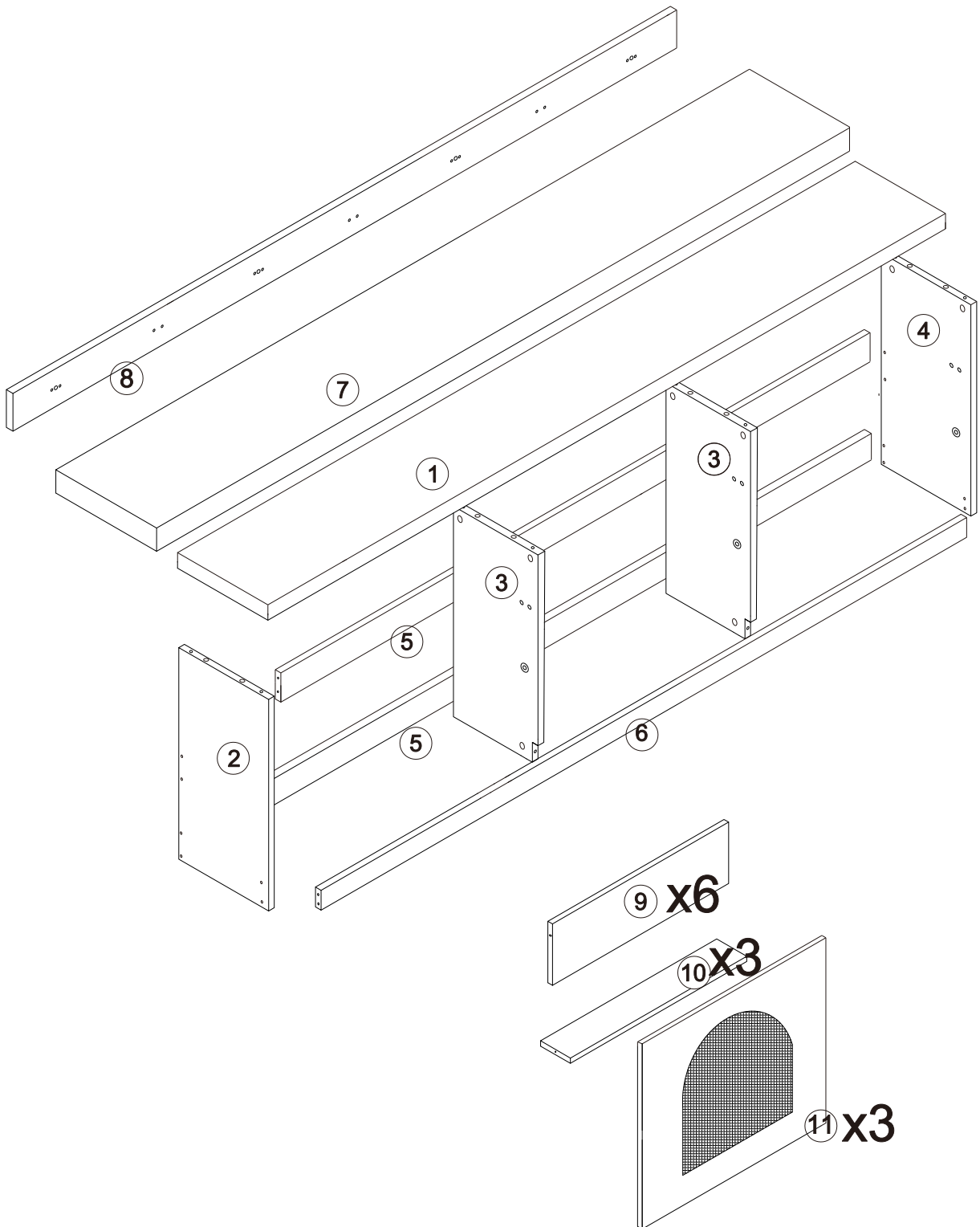


6. The wood dowels can be tapped in lightly with a hammer.
7. We don't recommend using the electric screwdriver, if you use the power screwdriver to tighten the screws, please be slow down, and stop if the screw is already tightened, excessive screwing may damage the screw and product surface.

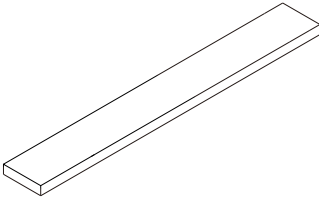

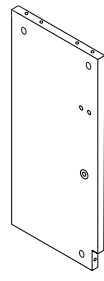
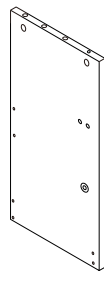
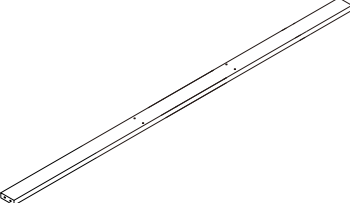
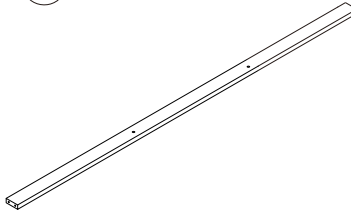
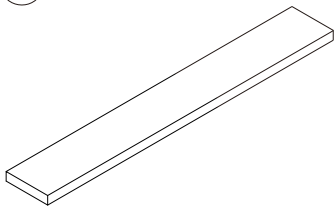
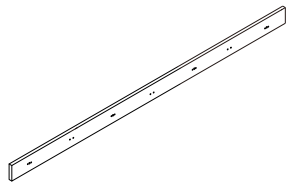
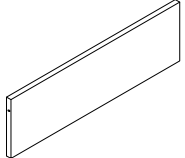
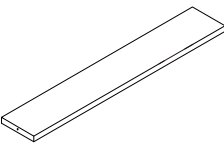
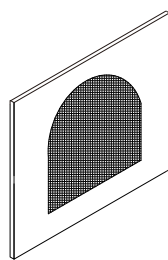
## WARNINGS

1. Please be careful and slowly when opening and assembling the product, especially keep the parts and packaging away from children to avoid accidental injury.
2. Please avoid using aggressive chemicals/cleaners to avoid damaging the product surface.
3. Don't push or pull the product to avoid damaging your floor.
4. Attention: Don't throw away any packing materials and accessories until assembly is complete.



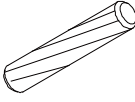
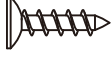

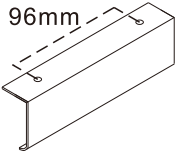



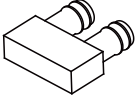




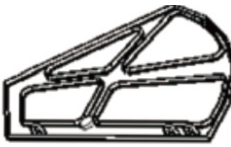

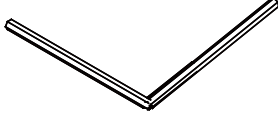
# Exploded Drawing



# Board list

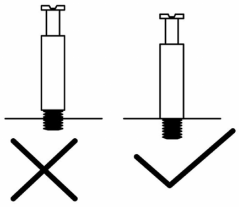
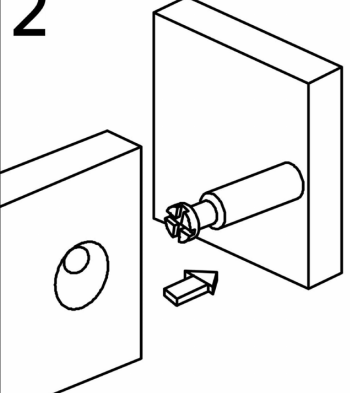
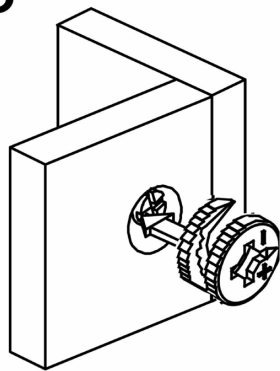
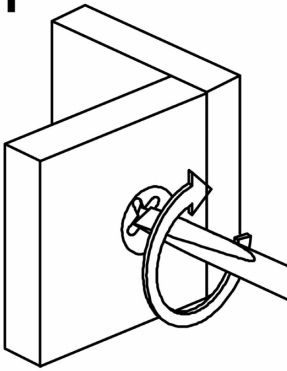
<p>① TOP PANEL</p>  <p>1PCS</p>	<p>② LEFT SIDE PANEL</p>  <p>1PCS</p>	<p>③ DIVIDER PANEL</p>  <p>2PCS</p>	<p>④ RIGHT SIDE PANEL</p>  <p>1 PCS</p>
<p>⑤ BACK BAR</p>  <p>2PCS</p>	<p>⑥ FRONT BOTTOM BAR</p>  <p>1PCS</p>	<p>⑦ SEAT CUSHION</p>  <p>1PCS</p>	<p>⑧ HANGING BAR</p>  <p>1PCS</p>
<p>⑨ SHOE BOX LAYER PANEL</p>  <p>6PCS</p>	<p>⑩ SHOE BOX BOTTOM PANEL</p>  <p>3PCS</p>	<p>⑪ DOOR</p>  <p>3PCS</p>	

# Hardware List

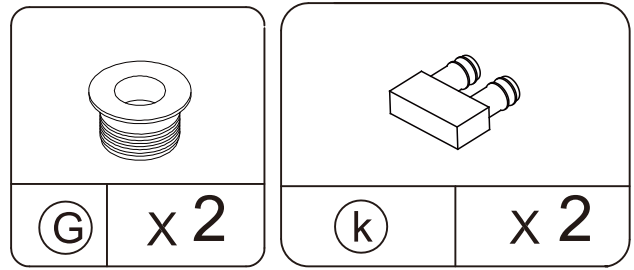
<p><b>(A)</b> CAM BOLT</p>  <p>ø6X35mm</p> <p>10PCS spare:1</p>	<p><b>(B)</b> CAM LOCK</p>  <p>ø15X10mm</p> <p>10PCS spare:1</p>	<p><b>(C)</b> WOOD DOWEL</p>  <p>ø6X30mm</p> <p>8PCS spare:1</p>	<p><b>(D)</b> SCREW</p>  <p>ø3.5 X14 mm</p> <p>36PCS spare:3</p>
<p><b>(E)</b> SCREW</p>  <p>ø3X12mm</p> <p>20PCS spare:2</p>	<p><b>(F)</b> DRAWER HANDLE</p>  <p>96mm</p> <p>3PCS</p>	<p><b>(G)</b> PLASTIC SCREW</p>  <p>6PCS spare:1</p>	<p><b>(H)</b> PLASTIC PLUG</p>  <p>6PCS spare:1</p>
<p><b>(J)</b> HOOK</p>  <p>7PCS</p>	<p><b>(K)</b> PLASTIC PIN</p>  <p>6PCS spare:1</p>	<p><b>(L)</b> SHOE BOX LEFT SUPPORT</p>  <p>3PCS</p>	<p><b>(M)</b> SCREW</p>  <p>ø5X40 mm</p> <p>20pcs spare:2</p>
<p><b>(N)</b> SCREW</p>  <p>ø4x10mm</p> <p>6PCS spare:1</p>	<p><b>(P)</b> HOLE STICKERS</p>  <p>20PCS spare:2</p>	<p><b>(R)</b> SHOE BOX RIGHT SUPPORT</p>  <p>3PCS</p>	<p><b>(S)</b> ANTI-TIP ACCESSORIES</p>  <p>M4x40mm M6x30mm</p> <p>4 PCS</p>
<p>ALLEN KEY</p>  <p>1PC</p>			

# CAM LOCK/BOLT FASTENING INTRODUCTION

(You will use it during assembly)

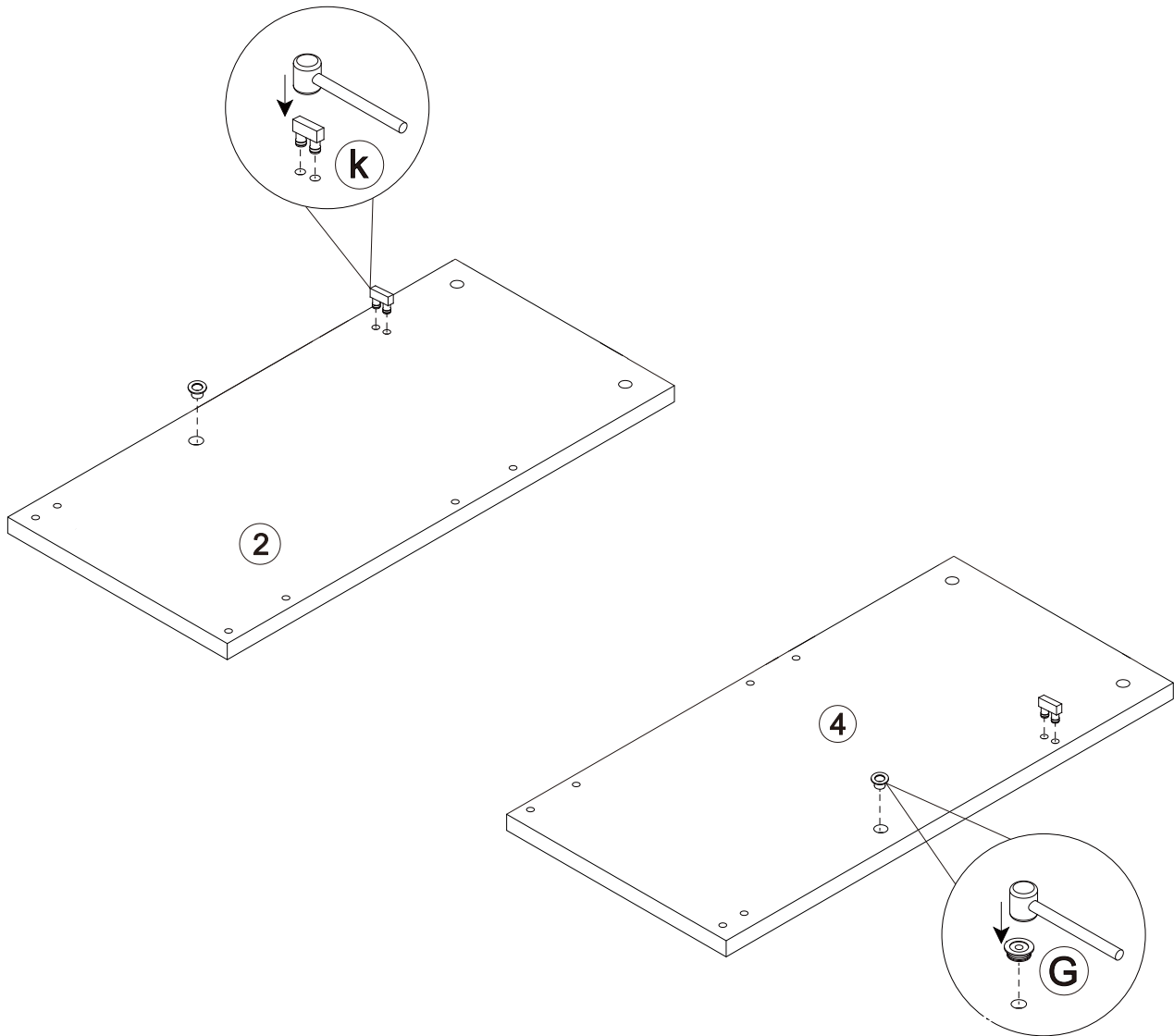
<b>1</b> 	<b>2</b> 	<b>3</b> 	<b>4</b> 
<p>1.Screw cam bolt into the threaded anchor gently. (Attention:don't screw cam bolt too deep or too shallow.)</p>	<p>2.Please connect the 2 boards you want connect by inserting cam bolt.</p>	<p>3.Insert the cam lock into the round hole of the board. (Attention:point the arrow on the top of the cam lock to the outer edge.)</p>	<p>4.Turn the cam lock clockwise until it is firmly tightened.</p>

# 1.

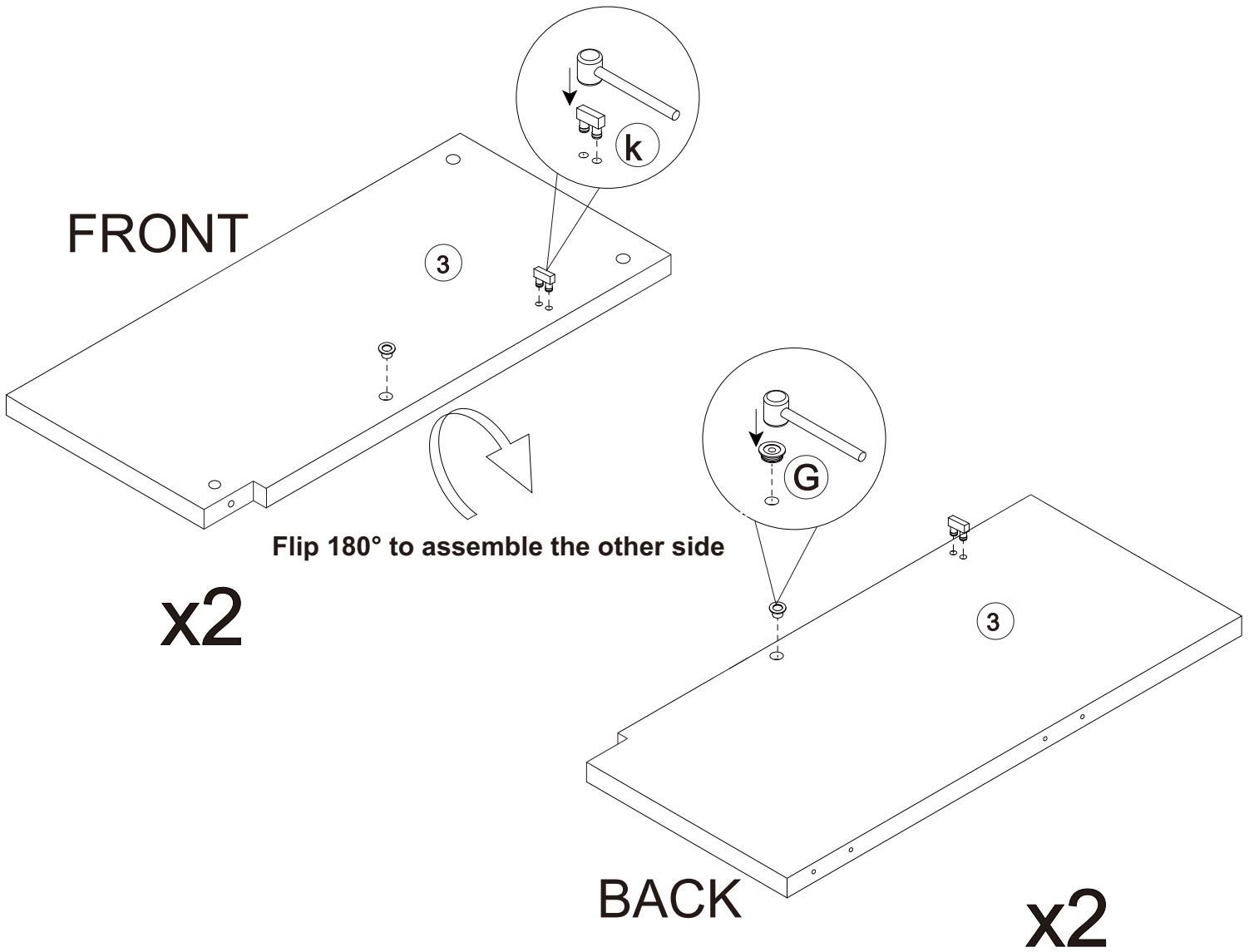
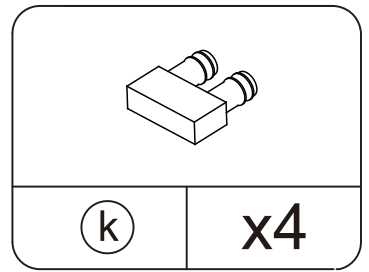
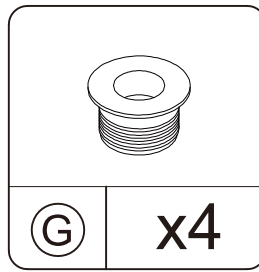


(1) Use a rubber hammer to gently hammer the plastic fitting(G)(K) into panel(2)(4).

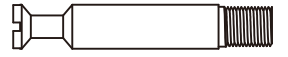
**NOTE:**Please use the rubber hammer to avoid the damage to the plastic parts.



**2.**



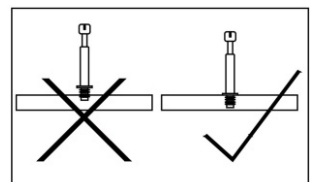
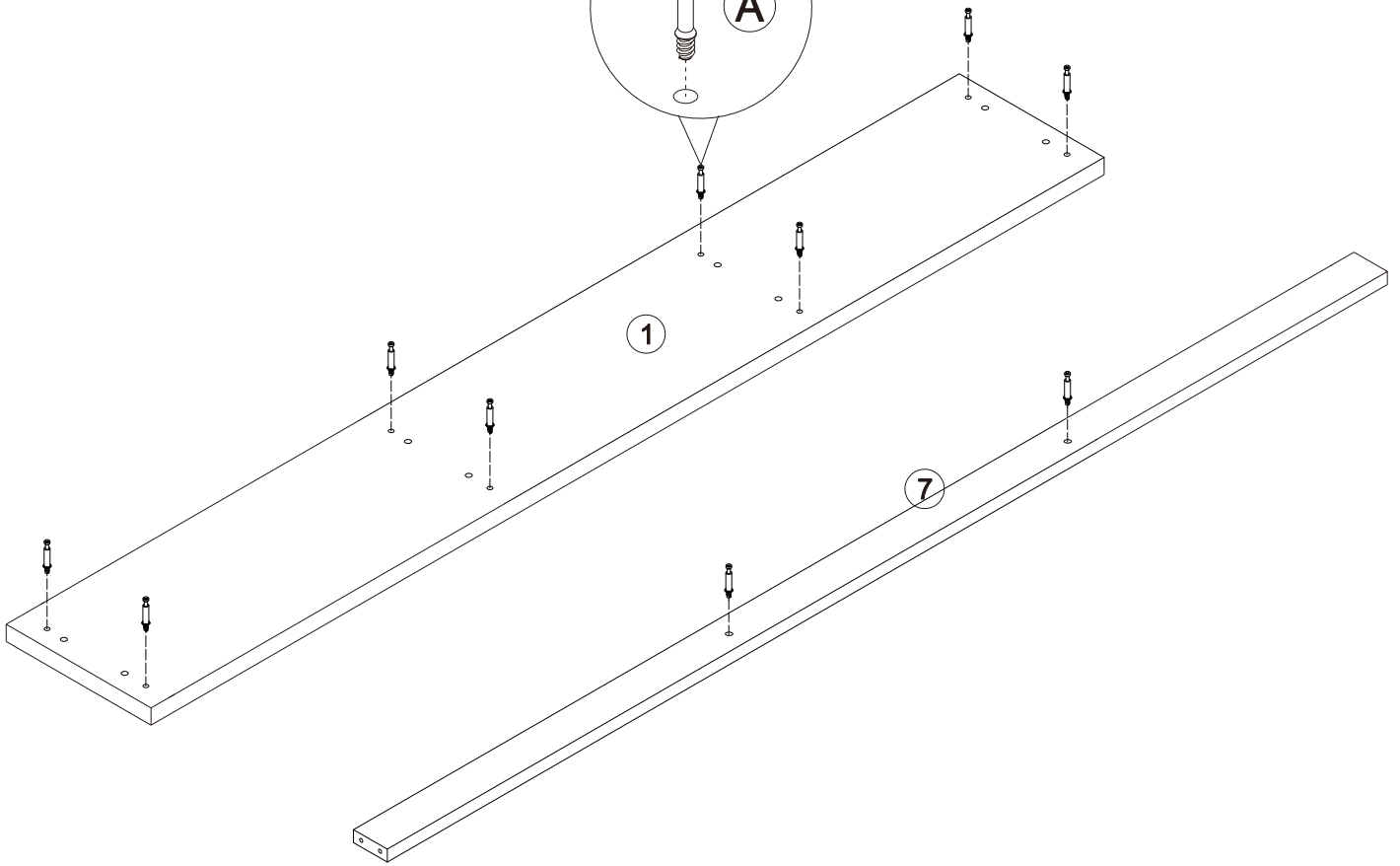
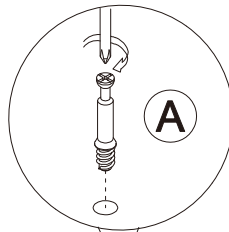
# 3.



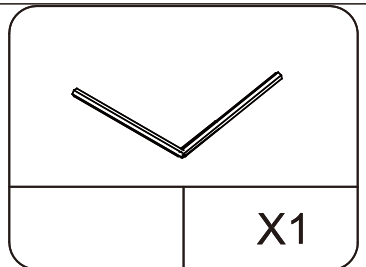
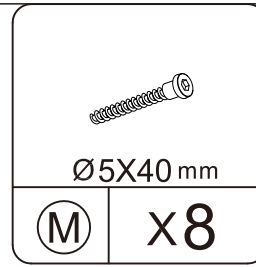
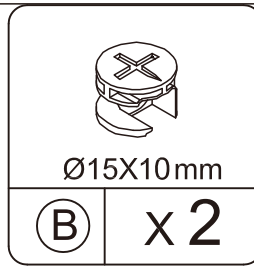
φ6X35mm

(A)

x10

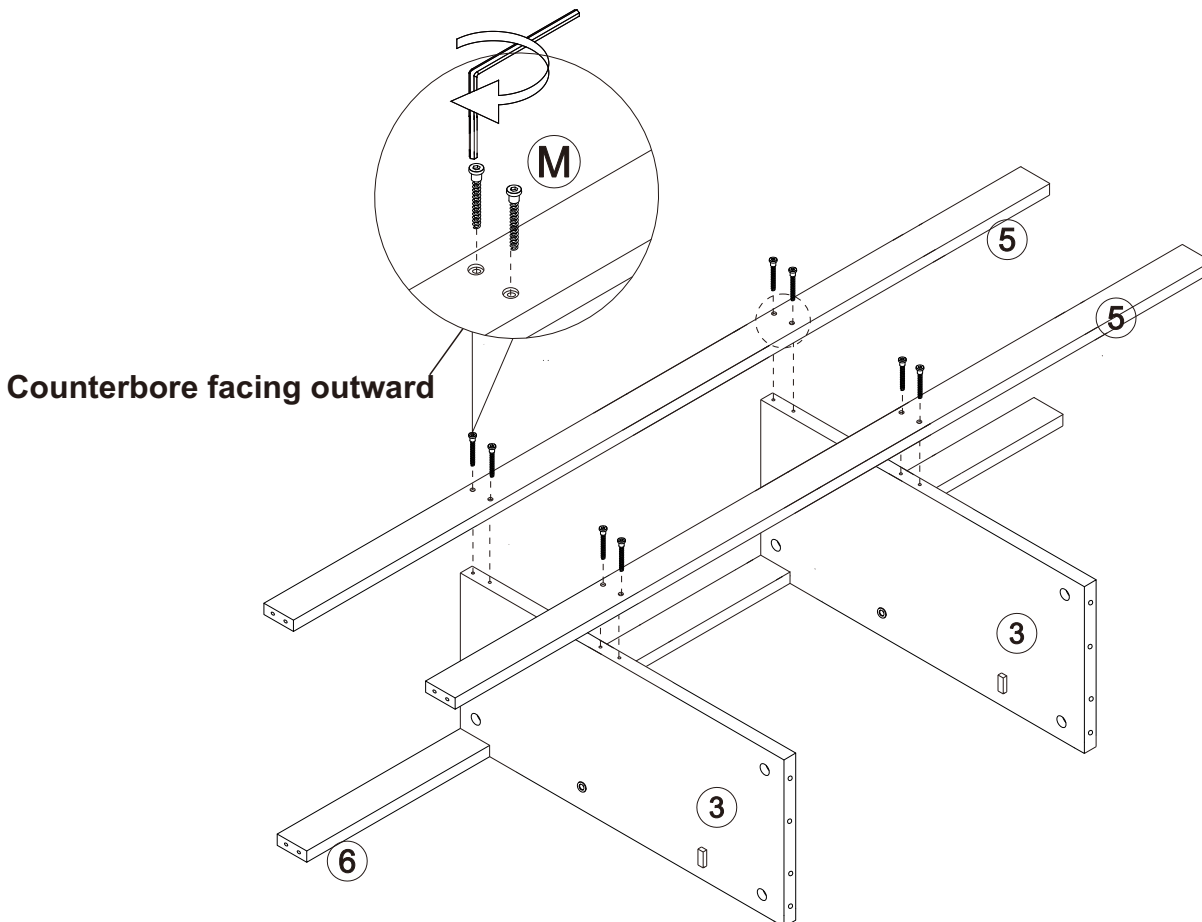
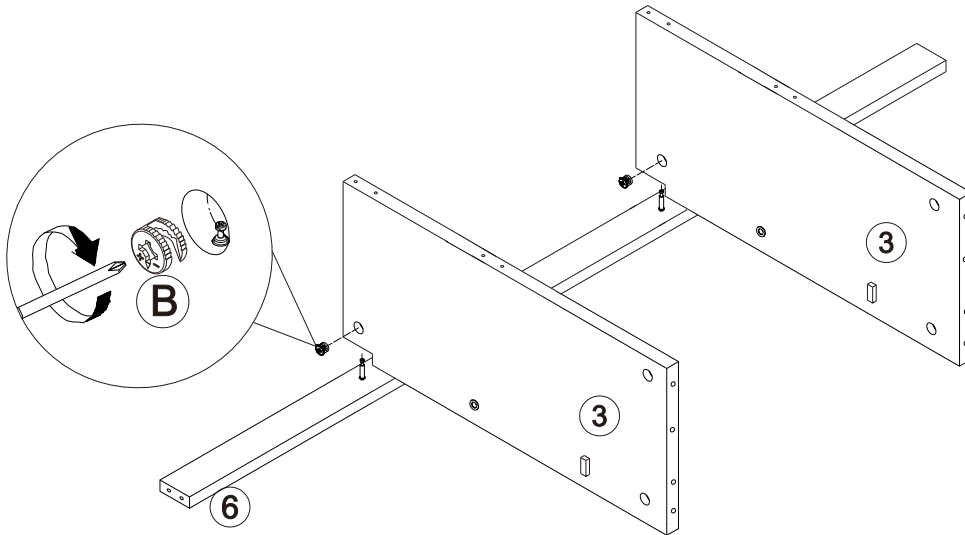


# 4.



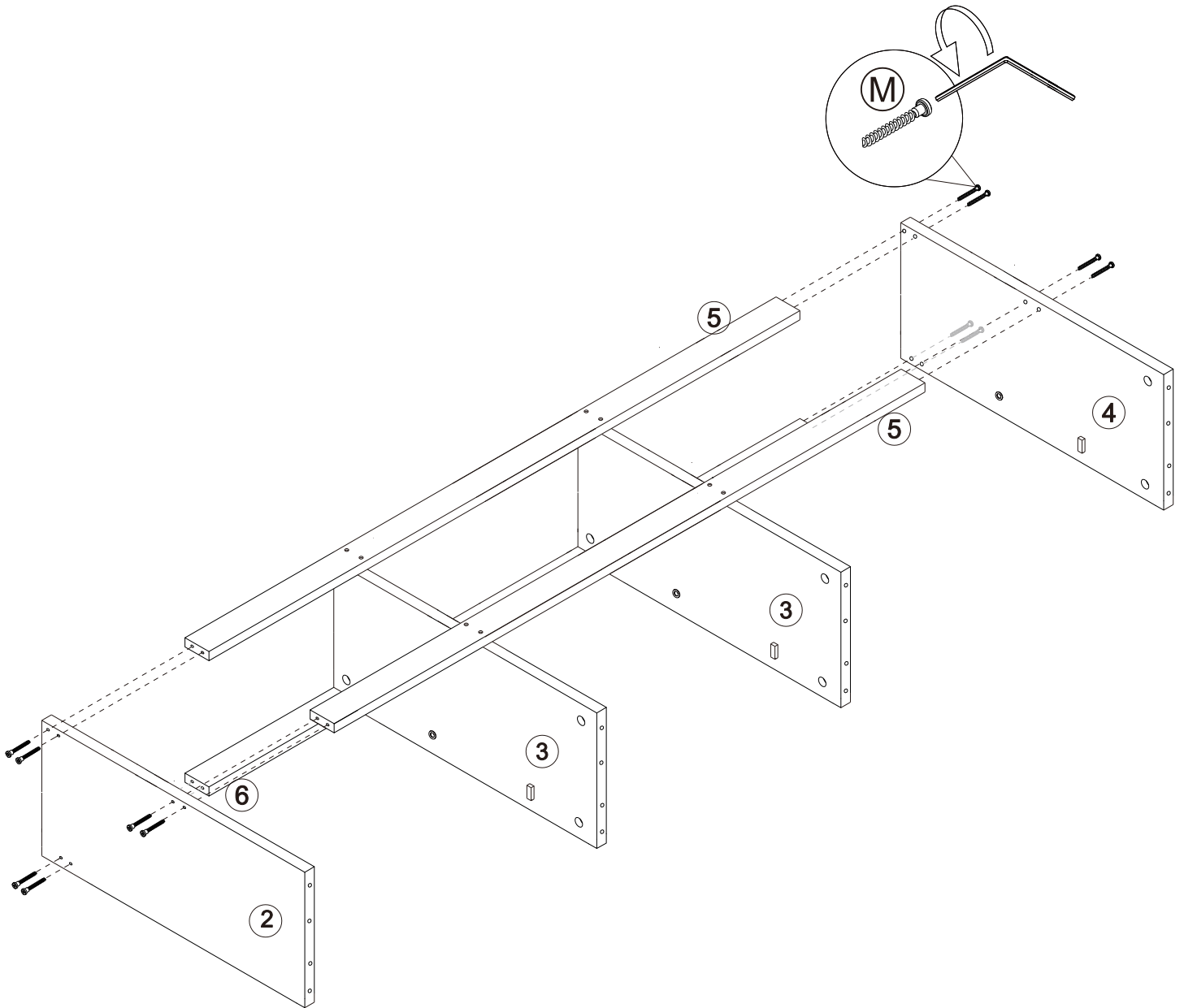
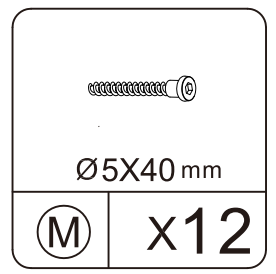
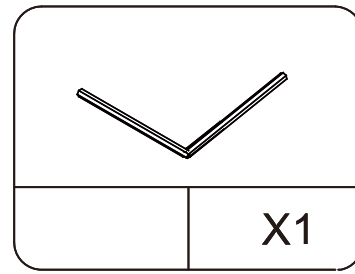
(1) Attach panels(3) to panel(6) by inserting cam lock(B) and then rotate clockwise to secure cam lock(B).

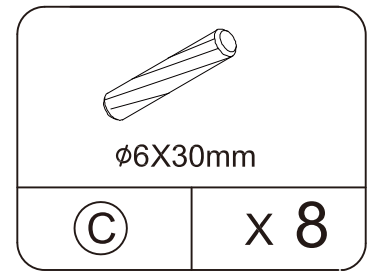
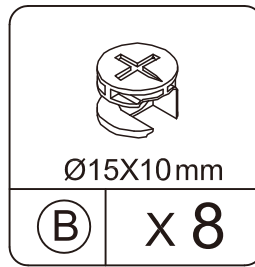
(2) Attach panels(5) to panel(3) with screw(M).



# 5.

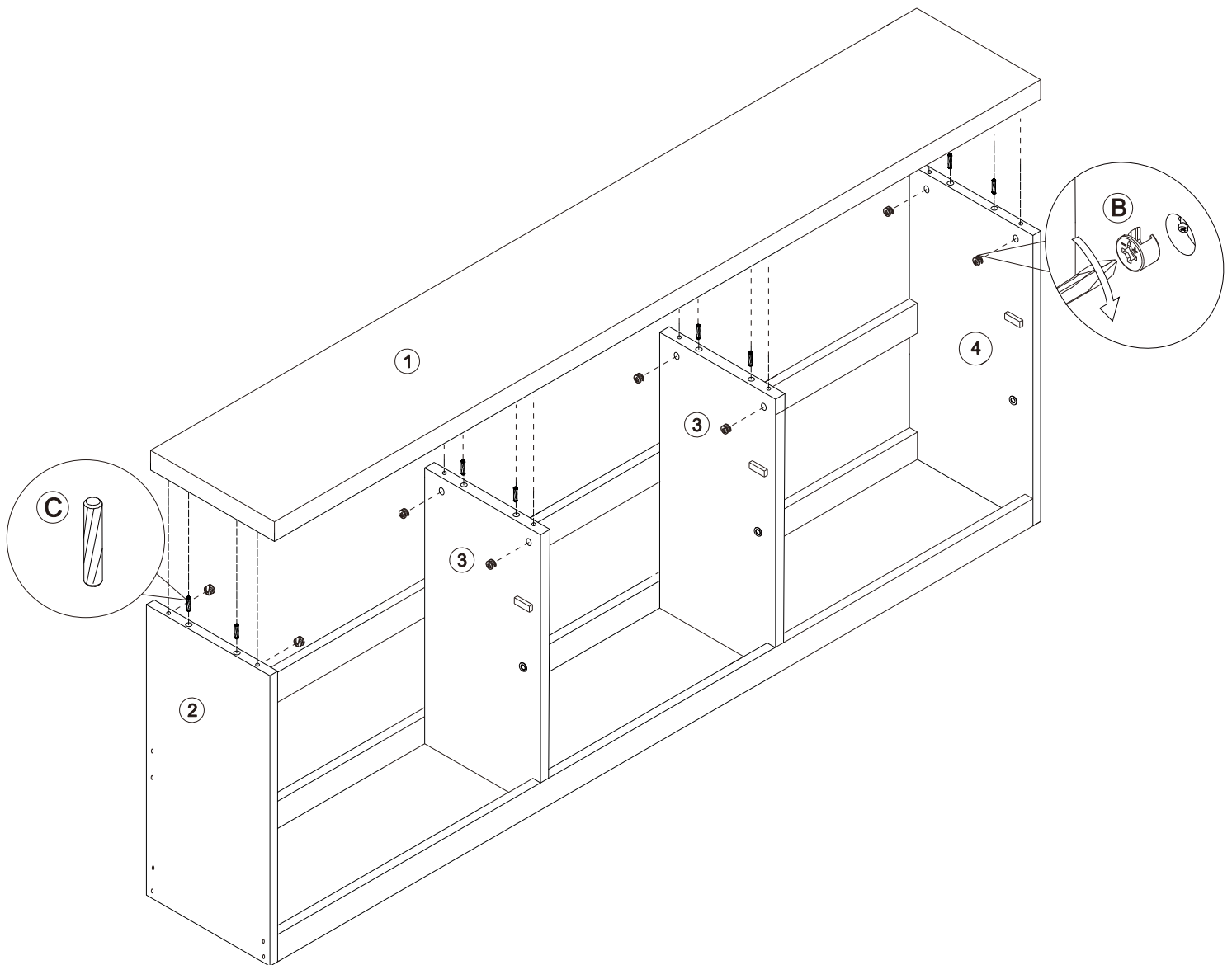
(1) Attach side panel(2)(4) to the frame with screw(M).



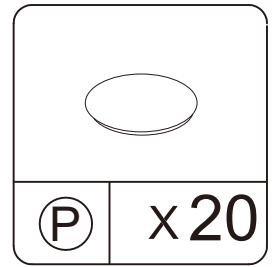


# 6.

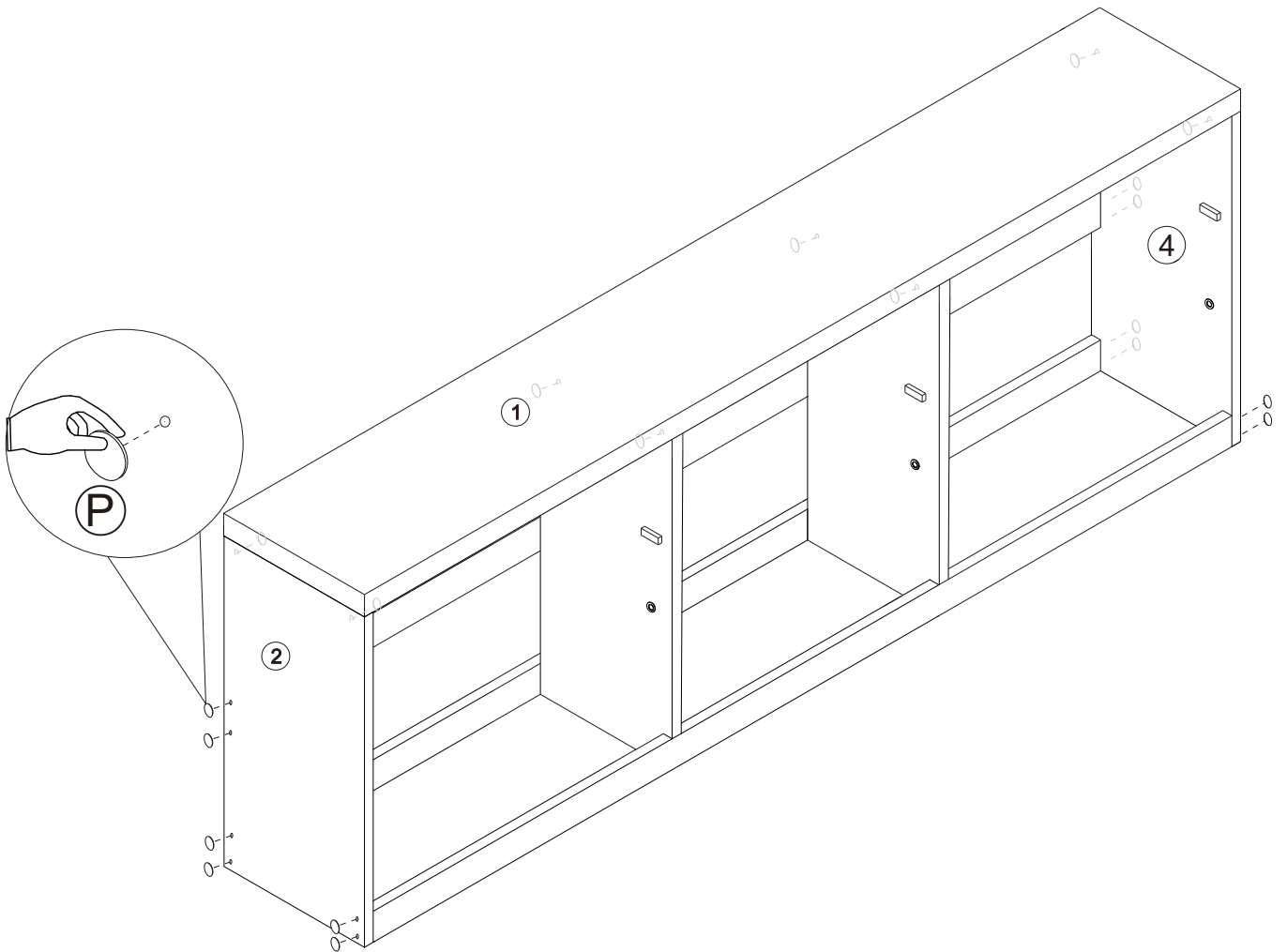
(1) Stand up the frame assembled in the previous step, and attach top panel(1) to the frame by inserting wooden dowels(C) and cam lock(B), then rotate clockwise to secure cam lock(B).



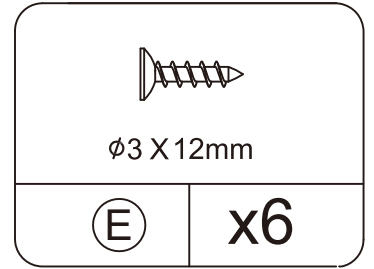
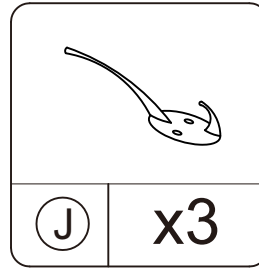
# 7.



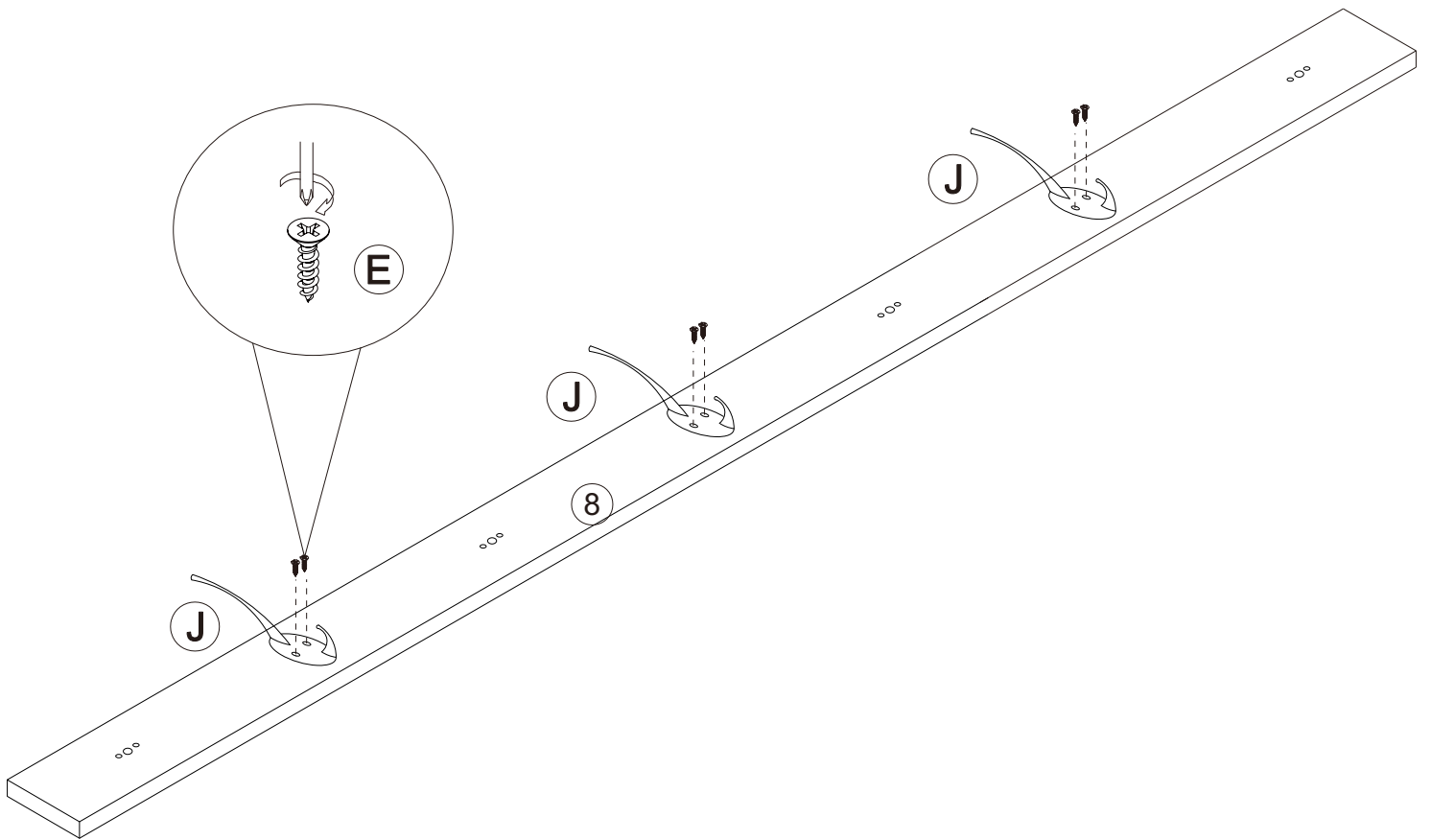
(1) Stick the same color hole stickers(P) on the holes




# 8.

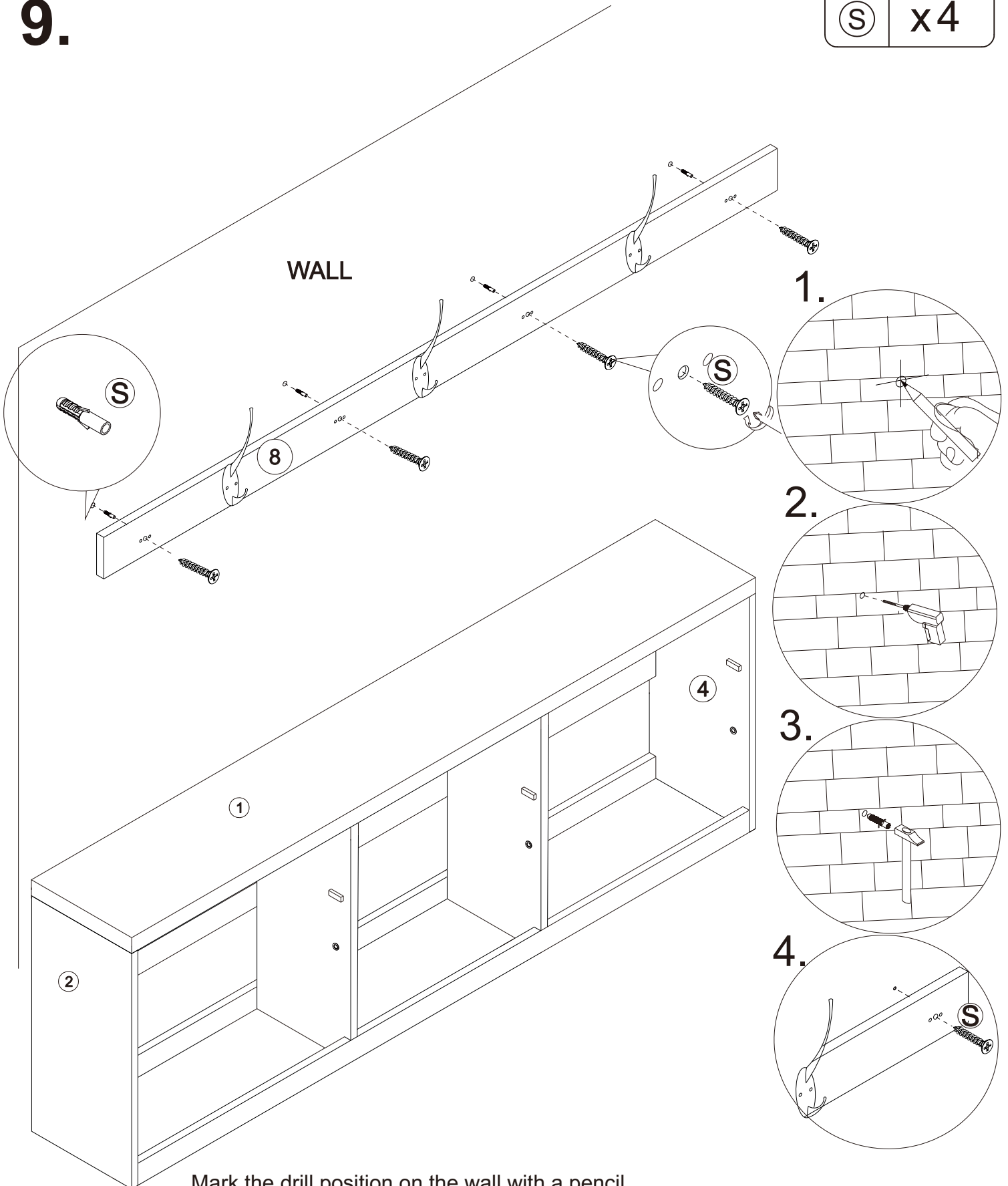


(1) Install 3 hooks (J) on hanging panel(8) at the positions shown in the figure below.



# 9.

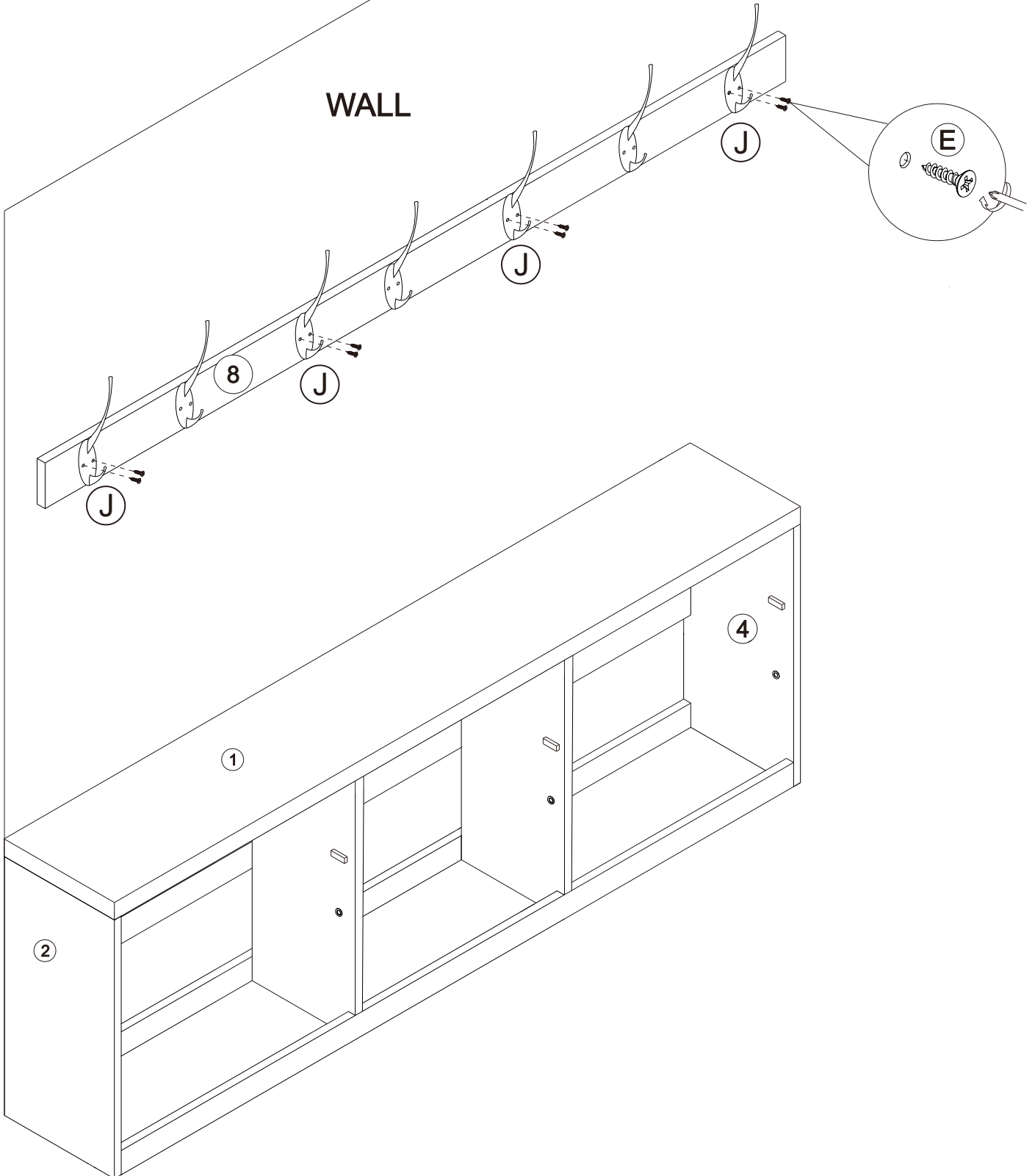
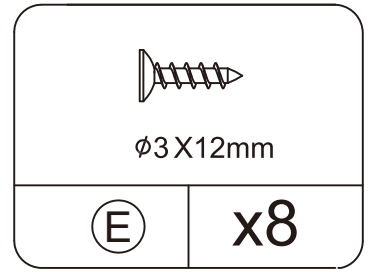
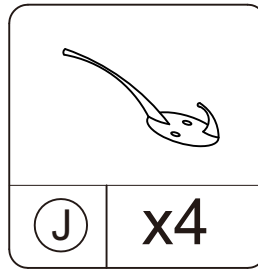
 M4x40mm M6x30mm	
(S)	x4



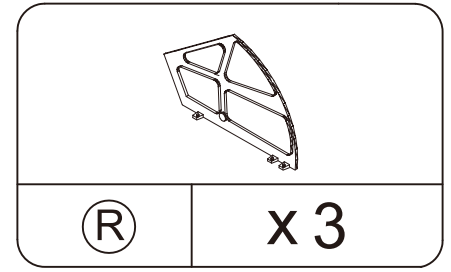
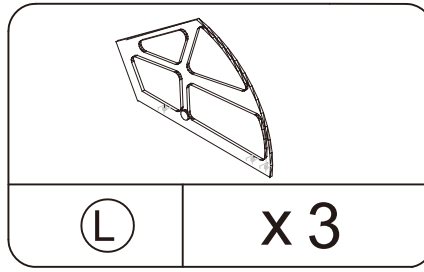
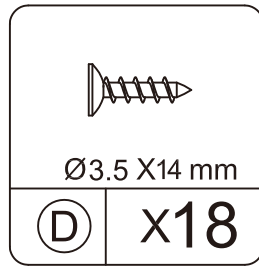
- . Mark the drill position on the wall with a pencil.
- . Drill holes on the marked position using a bit.
- . Gently insert the wall anchor(S) into the drilled hole with the help of a hammer.
- . Fixed the hanging panel to the wall with provided screws(S)

# 10.

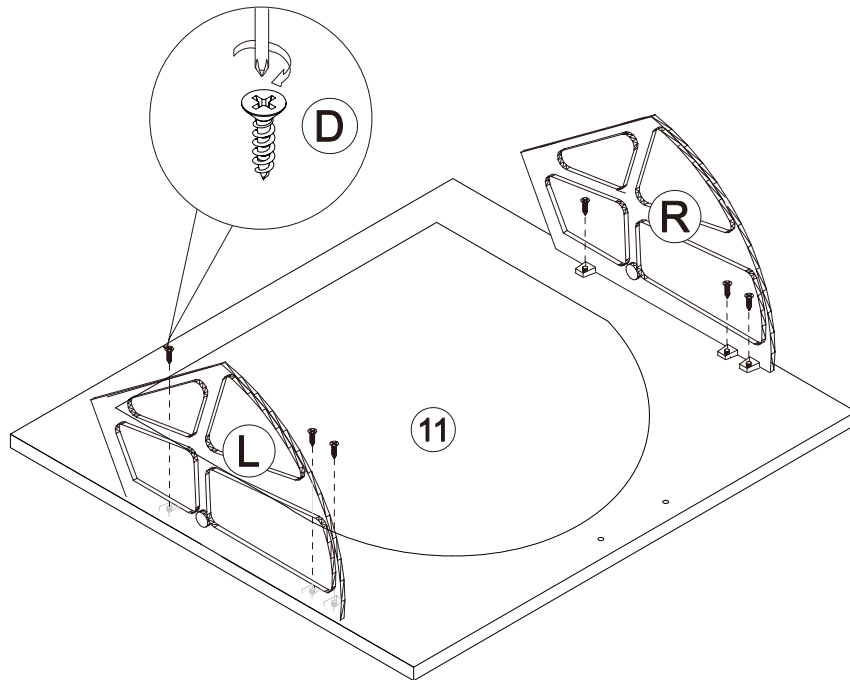
(1) Fix the remaining 4 hooks(J) to hanging panel(8) with screws(E)



# 11.

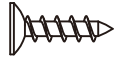


(1) Install the flip support(L)(R) to the door panel(11) with screw(D).



x3

# 12.

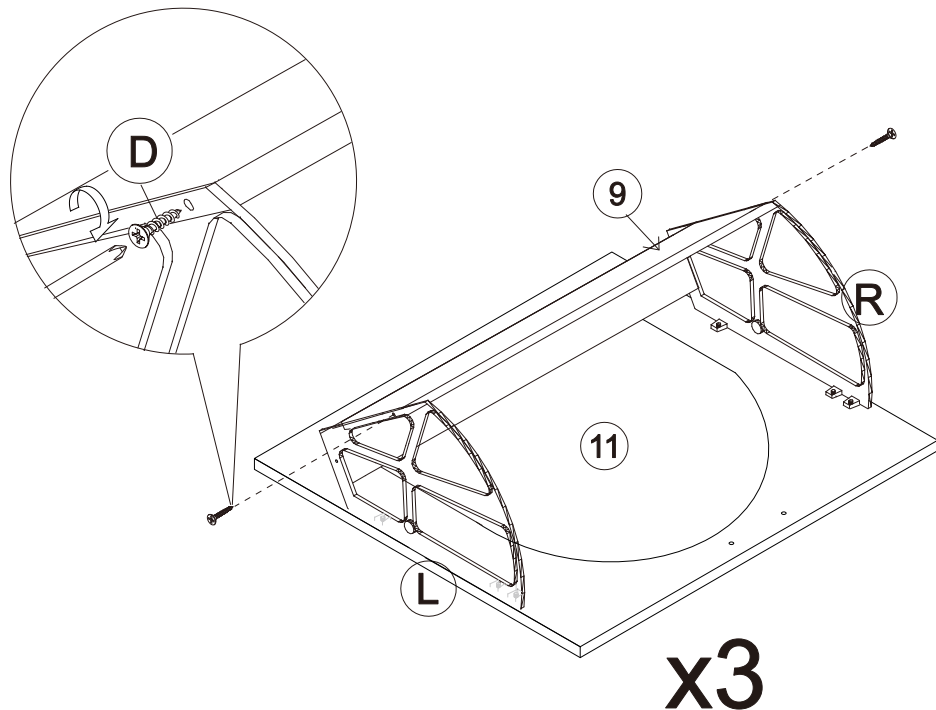
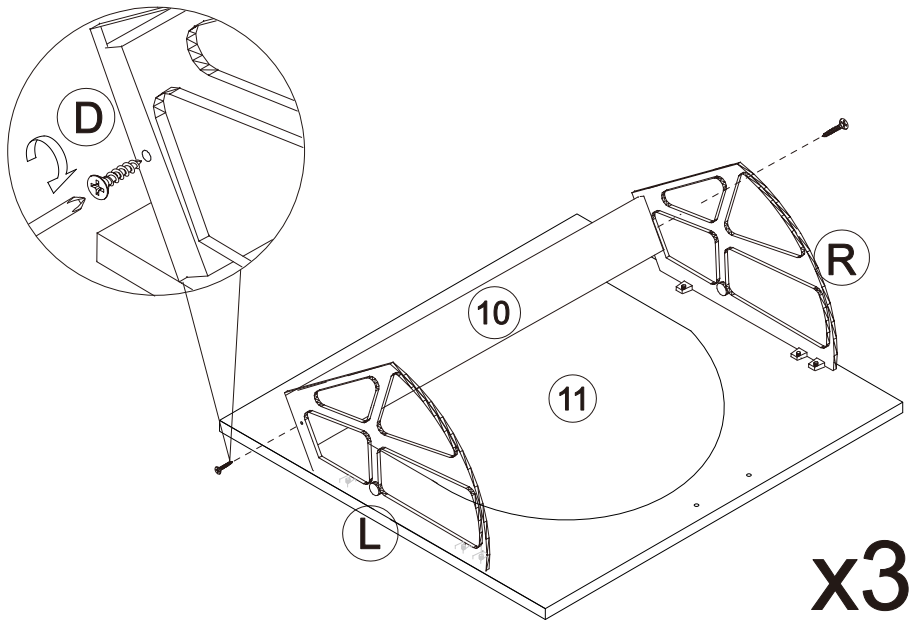


Ø3.5x14mm

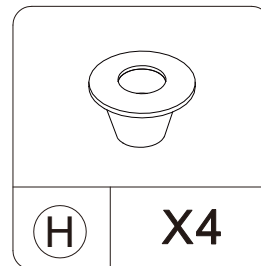
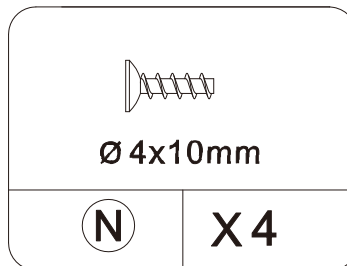
(D)

x12

(1) Install panel(10) to the flip support(L)(R) with screw(D), then install panel(9).

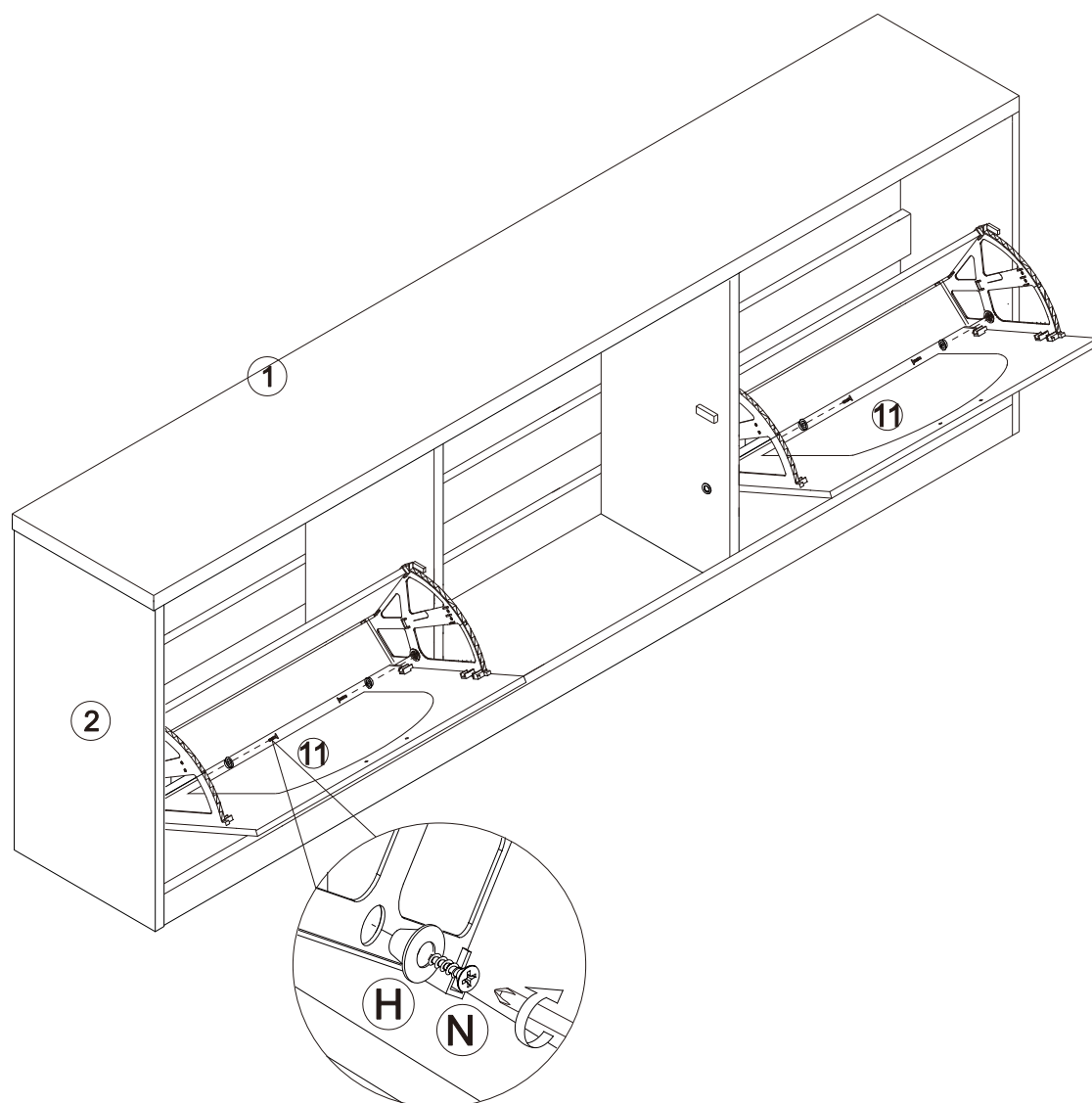


# 13.

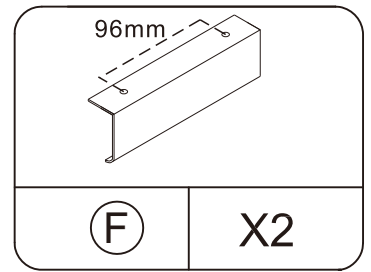
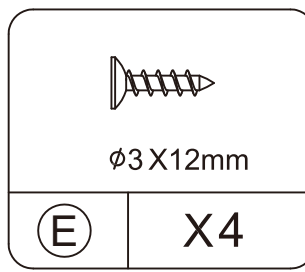
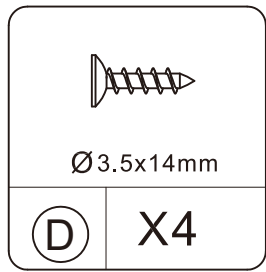


(1) Install 2 flip drawers to the bench with plug(H) and screw(N).

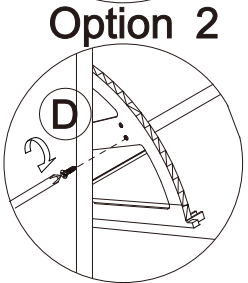
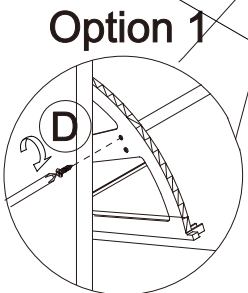
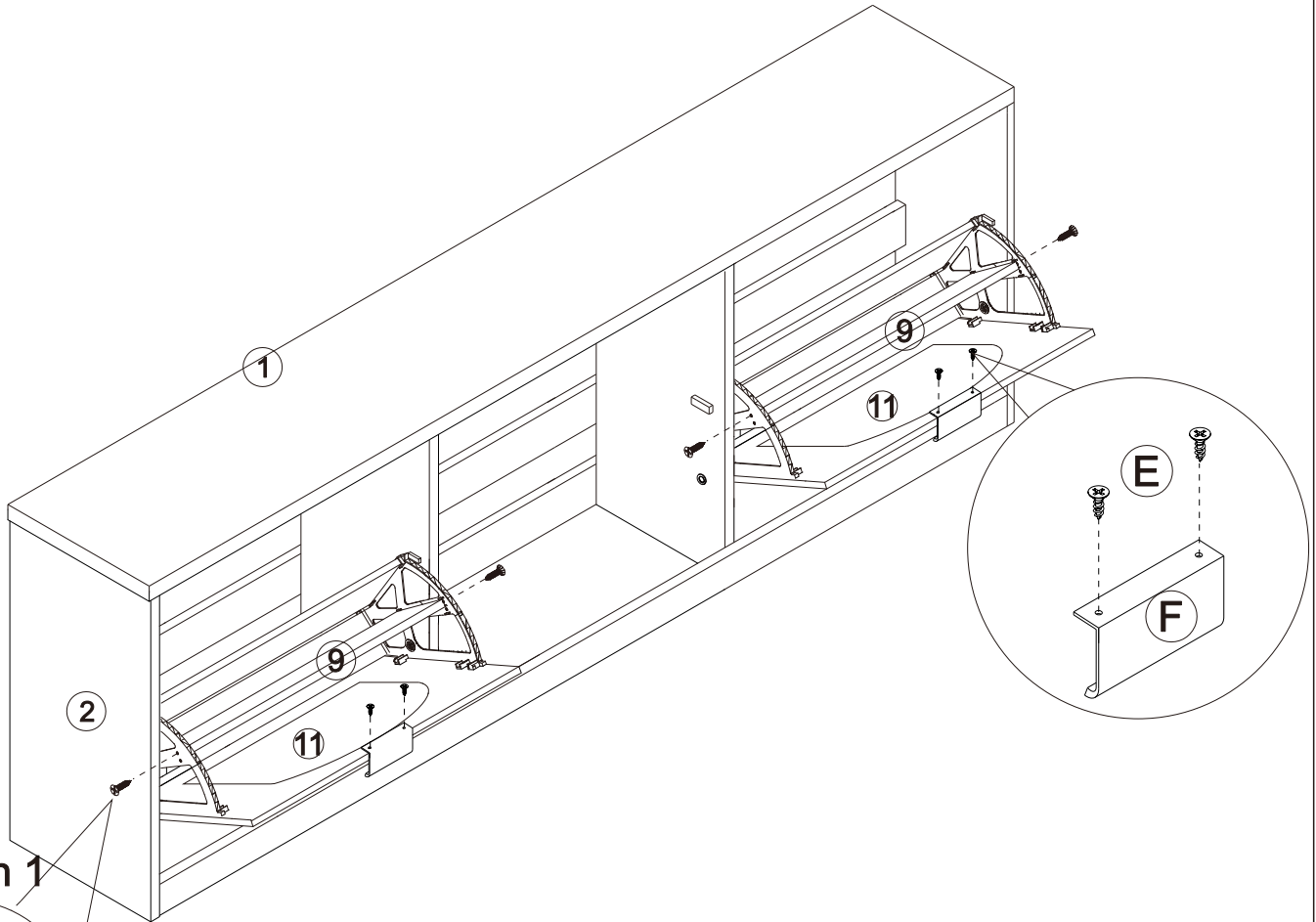
It is recommended that 2 people assemble.



# 14.



(1) Insert panel(9) and secure with screw(D), then install handle(F) with screw(E).

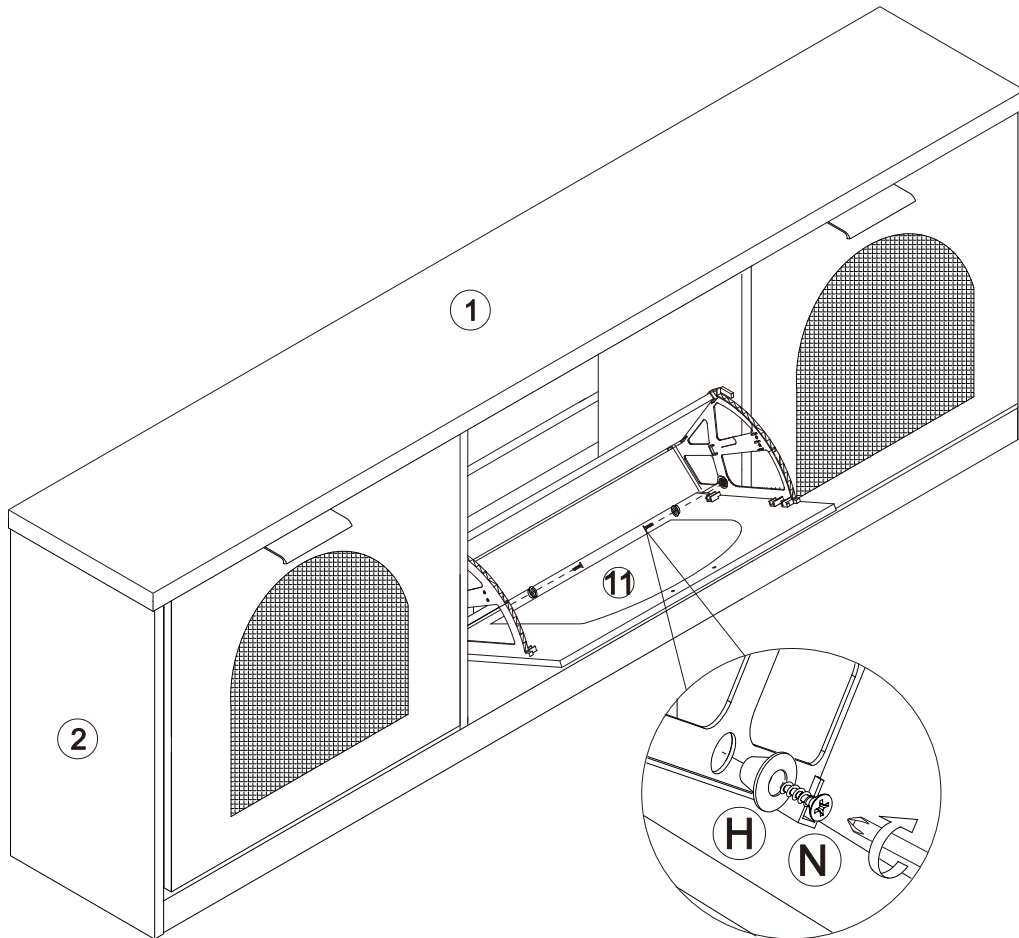
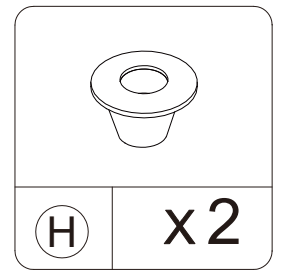
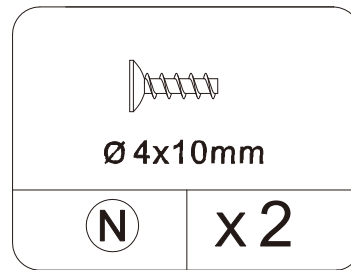


Note: you can adjust the position of panel(9) for various size of shoes.

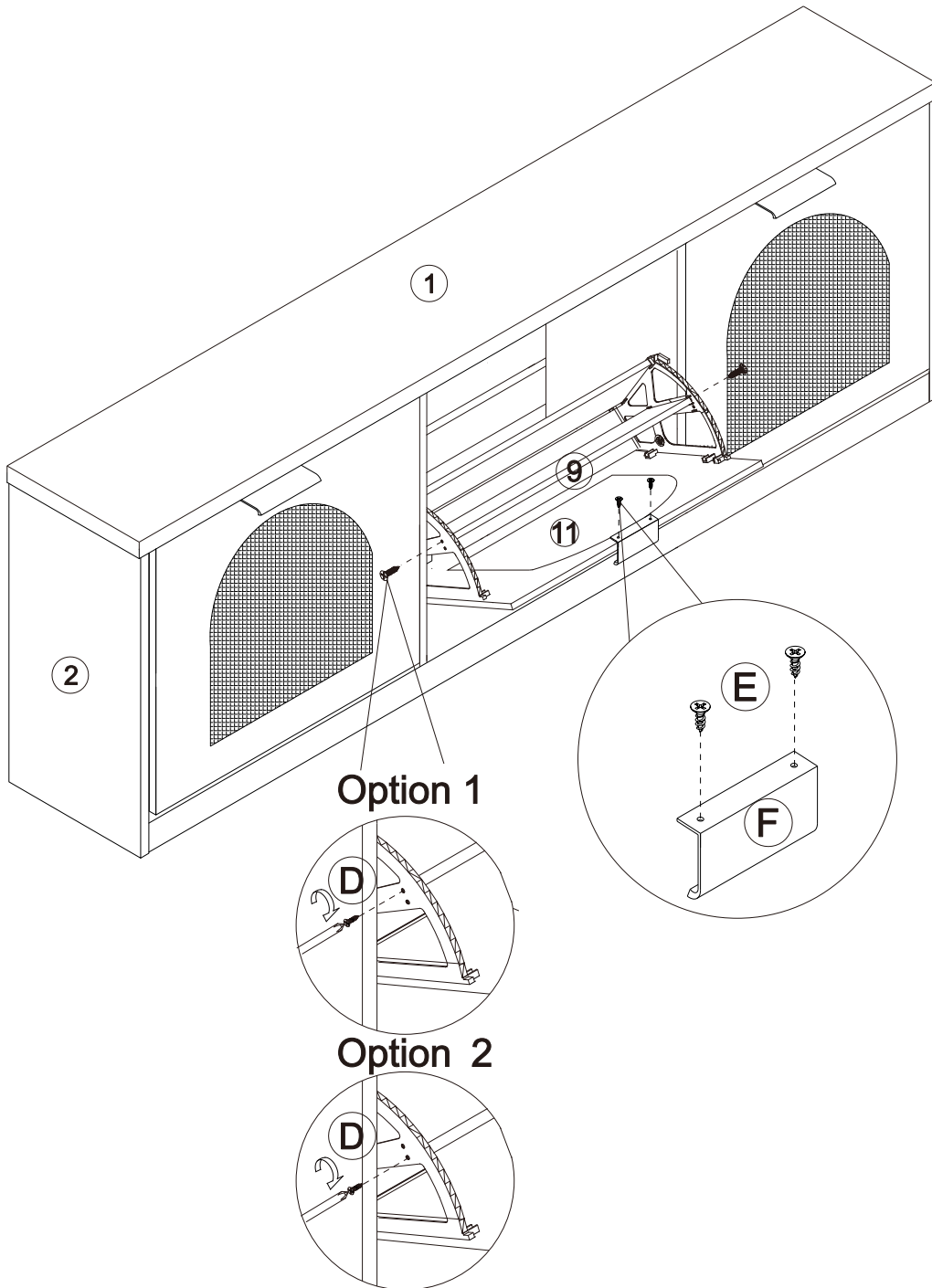
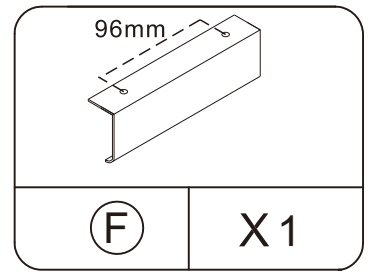
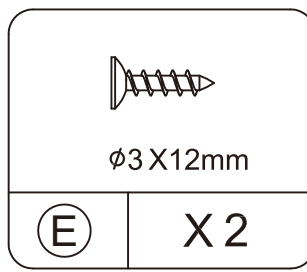
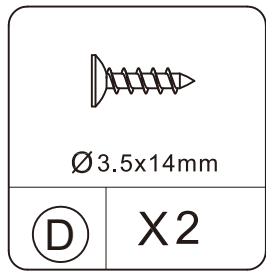
# 15.

(2) Install middle flip drawer to the bench with plug(H) and screw(N).

**It is recommended that 2 people assemble.**



# 16.



Note: you can adjust the position of panel(9) for various size of shoes.

## 17.

- (1) Tear off the double-sided tape on the Velcro of seat cushion, and stick the cushion on top panel.

Attention: You can choose whether to use the seat cushion according to your needs. To prevent the double-sided tape from damaging the top panel(1), please confirm whether you need the seat cushion before pasting.

