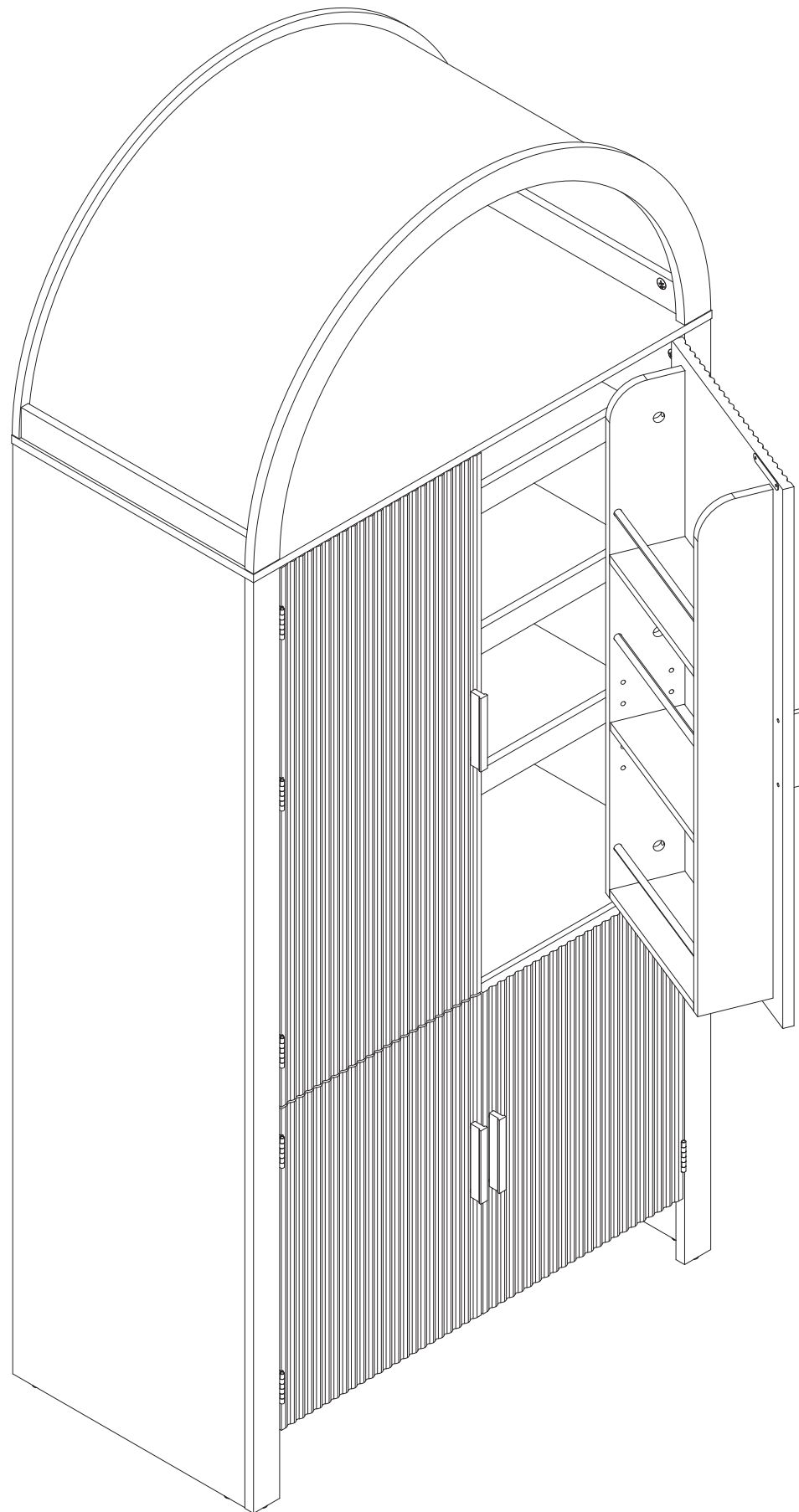



SKU:PFK-71-TAKP



The installation of the product requires skill and assistance.
Be sure to have two people install it together.

 hellovitesse@gmail.com

 +1(503) 928-7812

HOPE YOU HAVE A PERFECT SHOPPING EXPERIENCE!

Thank you for choosing our armless home office chair! Our products are designed to be both stylish and functional, with a focus on sustainability.

We use high-quality materials to ensure that our pieces are built last, so you can enjoy them for years. Whether you're looking for a cozy or stylish chair, we have something for everyone.

Our products are perfect for any home or office and we're confident that you'll love them as much as we do! If you have any problems with the item, please feel free to contact our customer service team by email or text.



IMPORTANT SAFETY INSTRUCTIONS

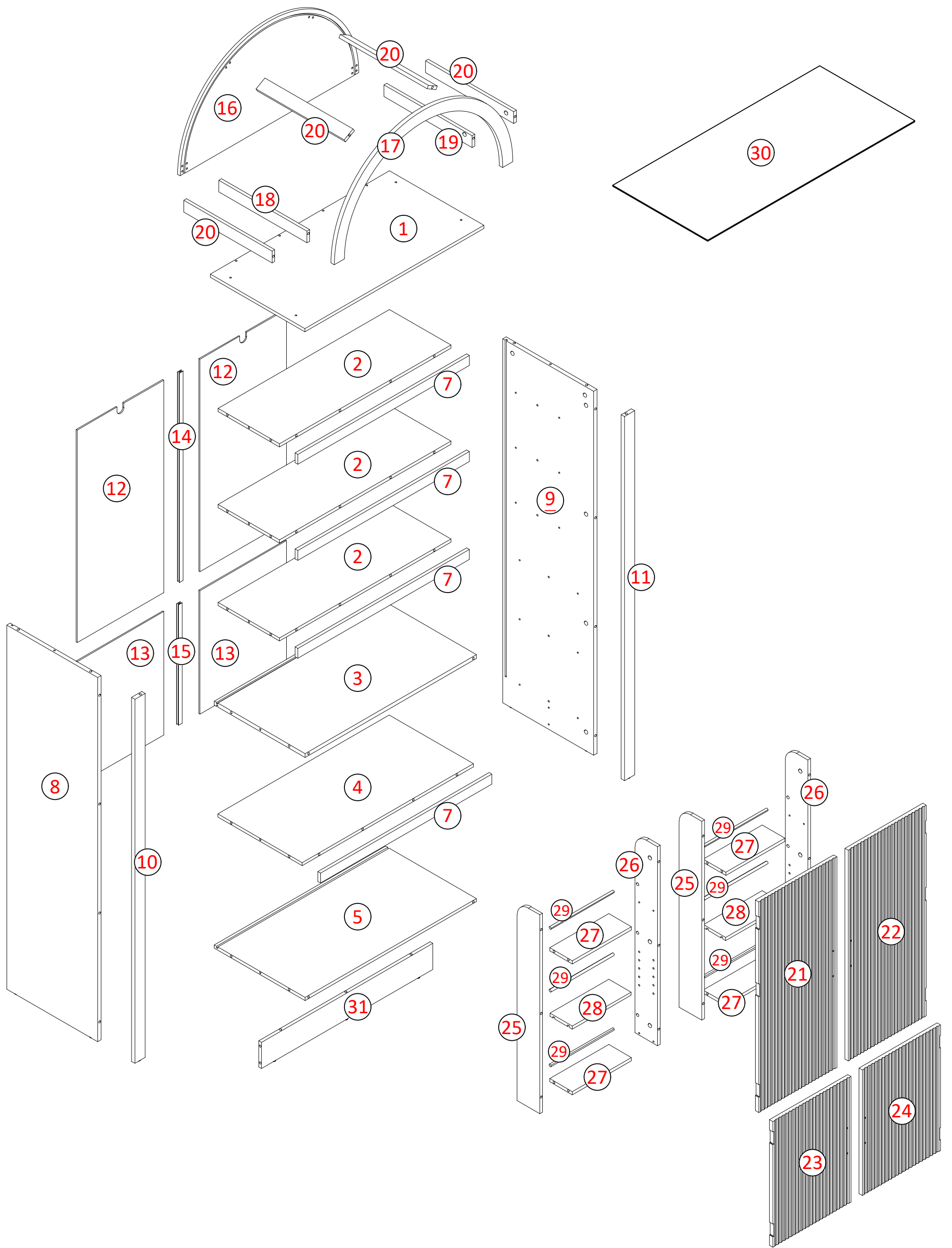


Read these instructions carefully and retain them for future use.

When using the product, basic safety precautions always be followed to reduce the risk of injury, including the following:

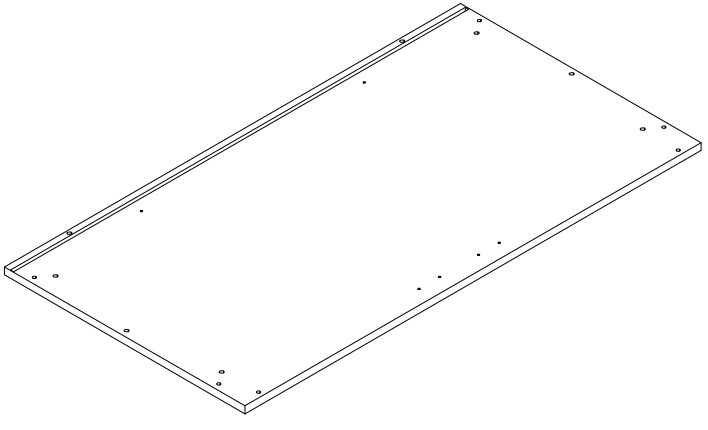
- This product must be assembled by an adult.
- Keep children and pets away while assembling the product.
- Remove all the packing materials and review all components before assembly.
- Do not over-tighten the fasteners.
- To avoid scratching the floor, assemble the product on a soft surface, such as a carpet.
- Do not use this product if any parts are missing, damaged, or worn.
- Always use the product on a firm, level ground.
- Do not let the children climb on or play with the product.
- Keep all sharp objects away from the upholstery.
- Regularly examine the product for wear and tear. Stop using the product at the first sign of damage or if the parts detached.

P2

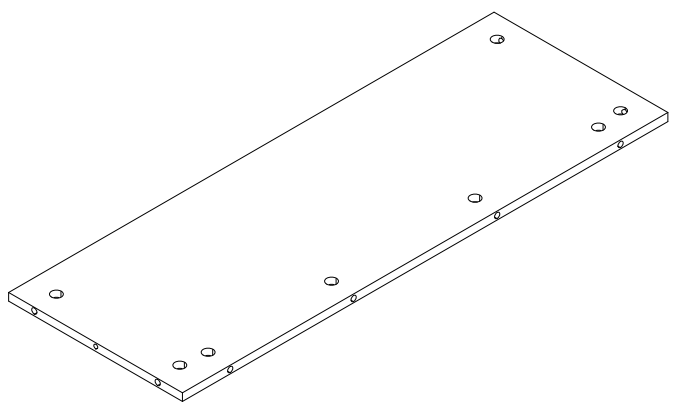


P3

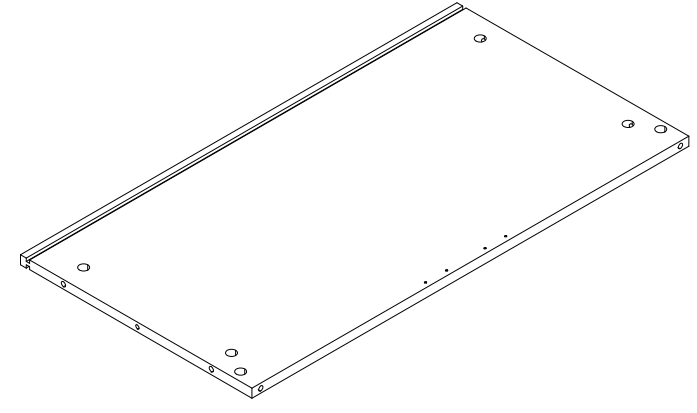
1



2

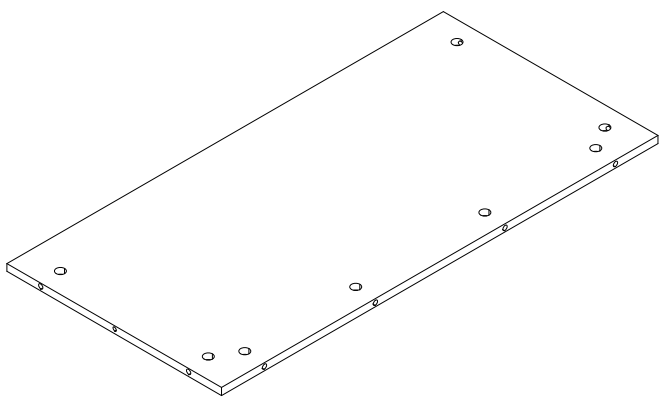


3

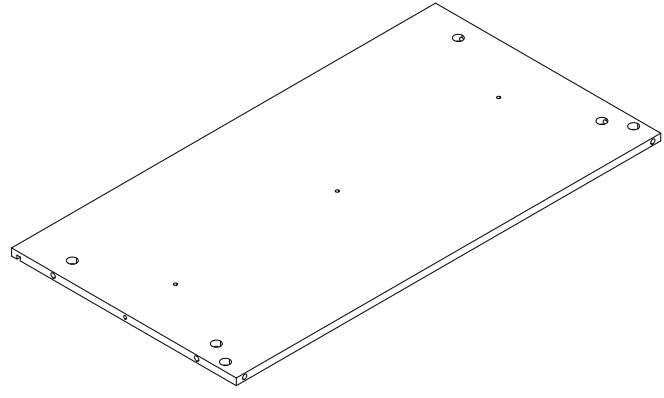


x3

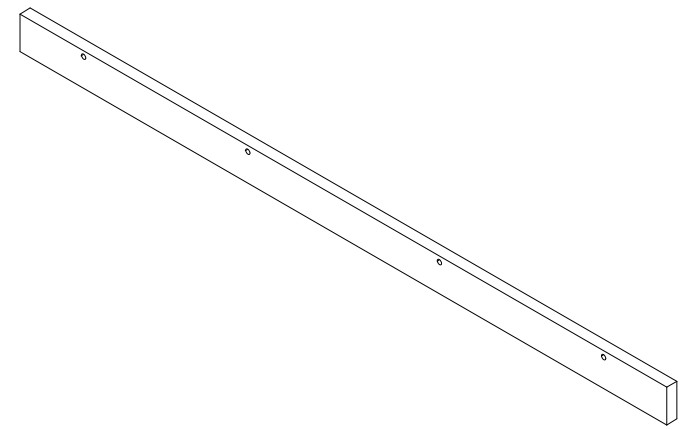
4



5

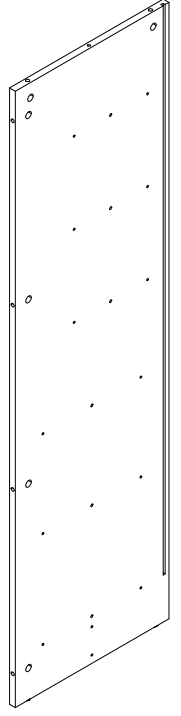


7

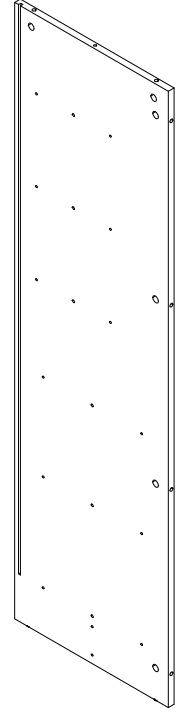


x4

8



9



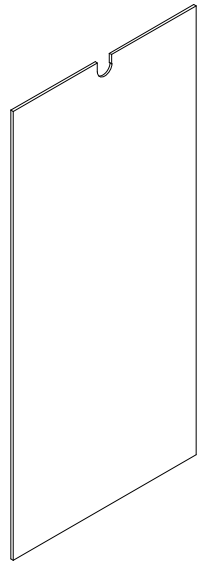
10



11

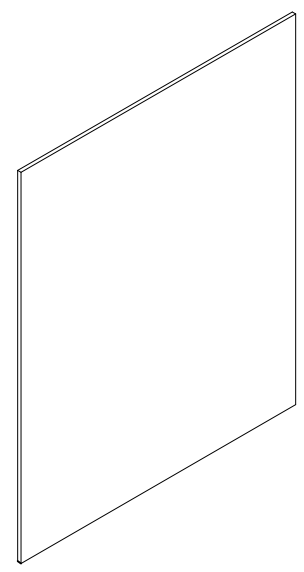


12



x2

13



x2

P4

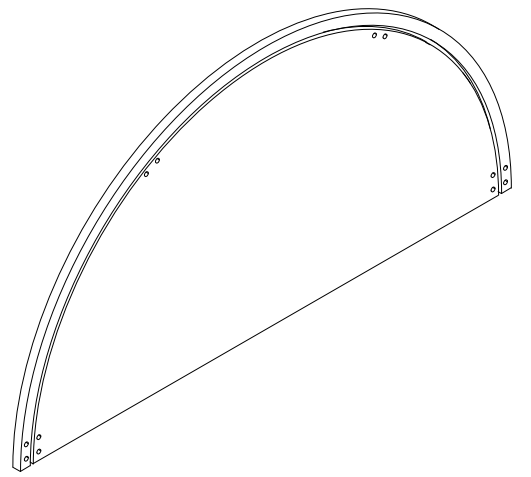
14



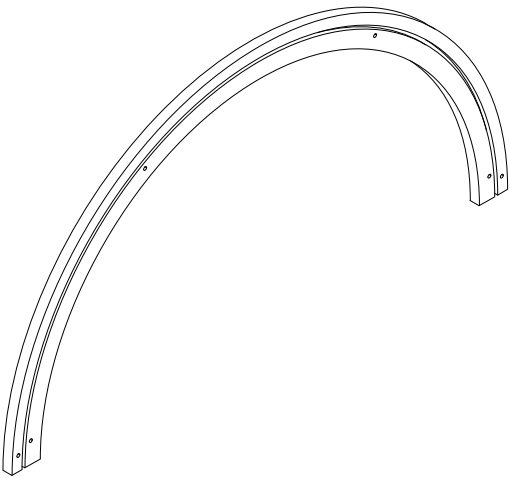
15



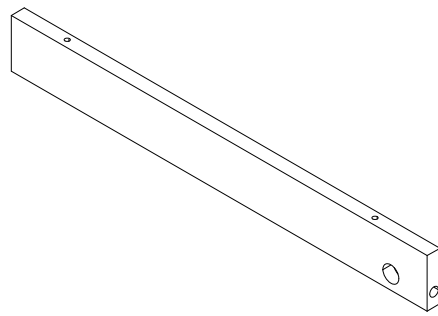
16



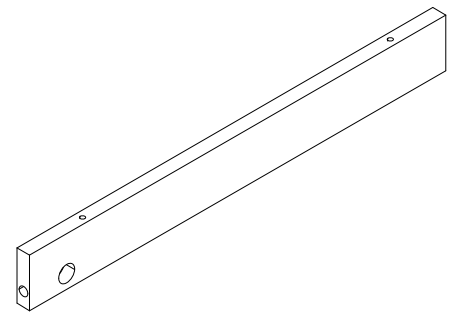
17



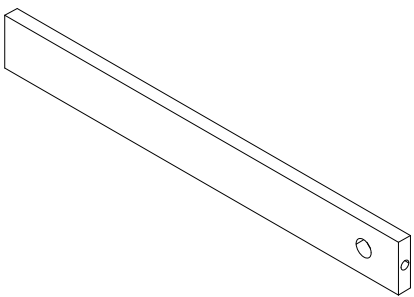
18



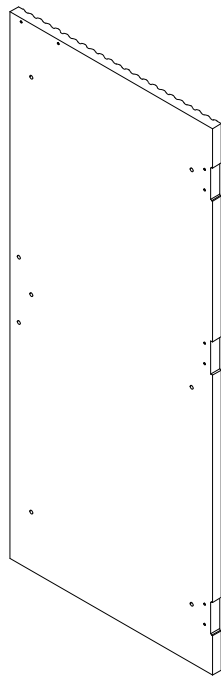
19



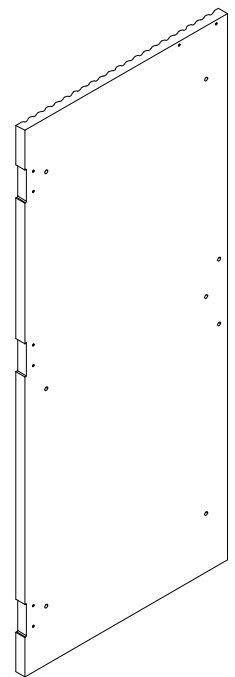
20



21

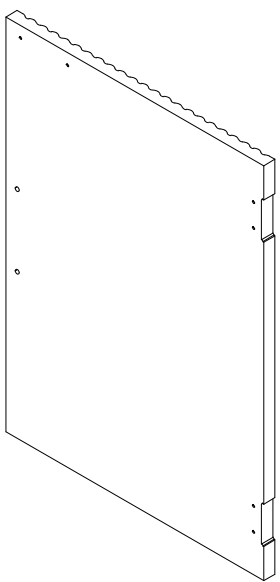


22

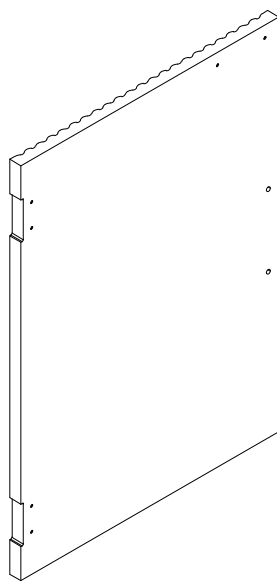


x4

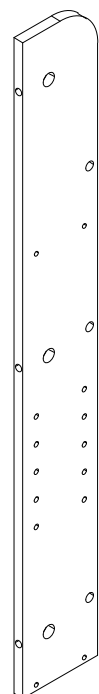
23



24

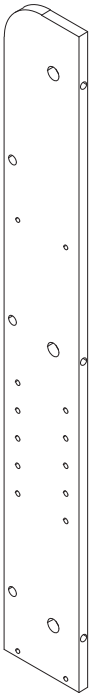
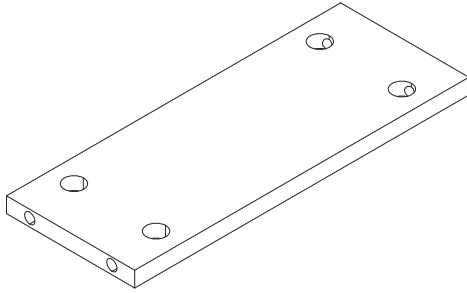
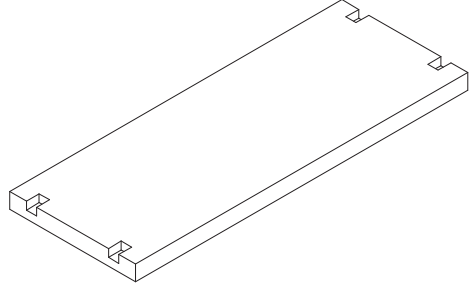
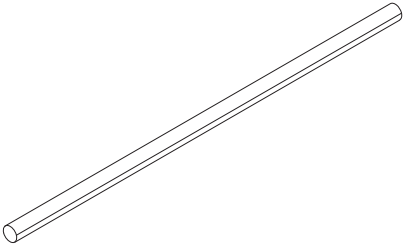
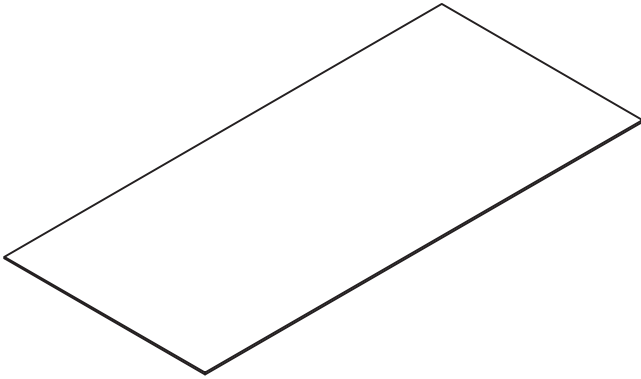
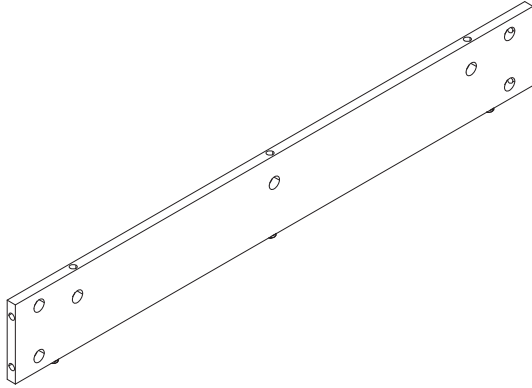




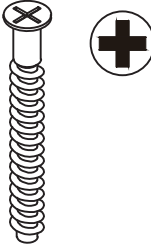

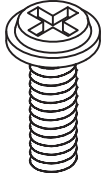
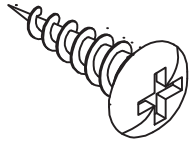


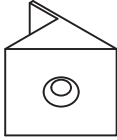
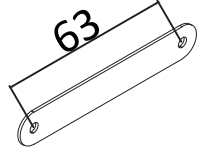
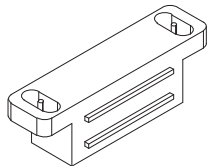
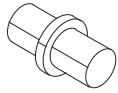
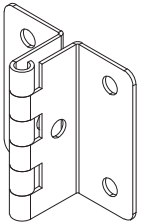



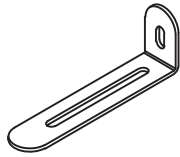
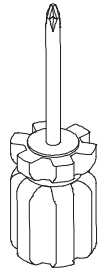
25



x2

P5

 <p>26</p> <p>x2</p>	 <p>27</p> <p>x4</p>	 <p>28</p> <p>x2</p>
 <p>29</p> <p>x6</p>	 <p>30</p>	 <p>31</p>

<p>A M5x42</p>  <p>99 PCS</p>	<p>B Ø15 X 10</p>  <p>99 PCS</p>	<p>C M5x40</p>  <p>18 PCS</p>	<p>D M3.5x12</p>  <p>40 PCS</p>	<p>E M4x18mm</p>  <p>8 PCS</p>	<p>F M3x14</p>  <p>8 PCS</p>
<p>G M3.5x14</p>  <p>54 PCS</p>	<p>H Ø6 X 40</p>  <p>16 PCS</p>	<p>I</p>  <p>24 PCS</p>	<p>J</p>  <p>4 PCS</p>	<p>K</p>  <p>4 PCS</p>	<p>L</p>  <p>8 PCS</p>
<p>N</p>  <p>10 PCS</p>	<p>M M5 X 55 Ø8 X 60</p>  <p>2 PCS</p>	<p>O Ø22 X 1</p>  <p>30 PCS</p>	<p>P 9111-96</p>  <p>4 PCS</p>	<p>Q</p>  <p>2 PCS</p>	 <p>1 PCS</p>

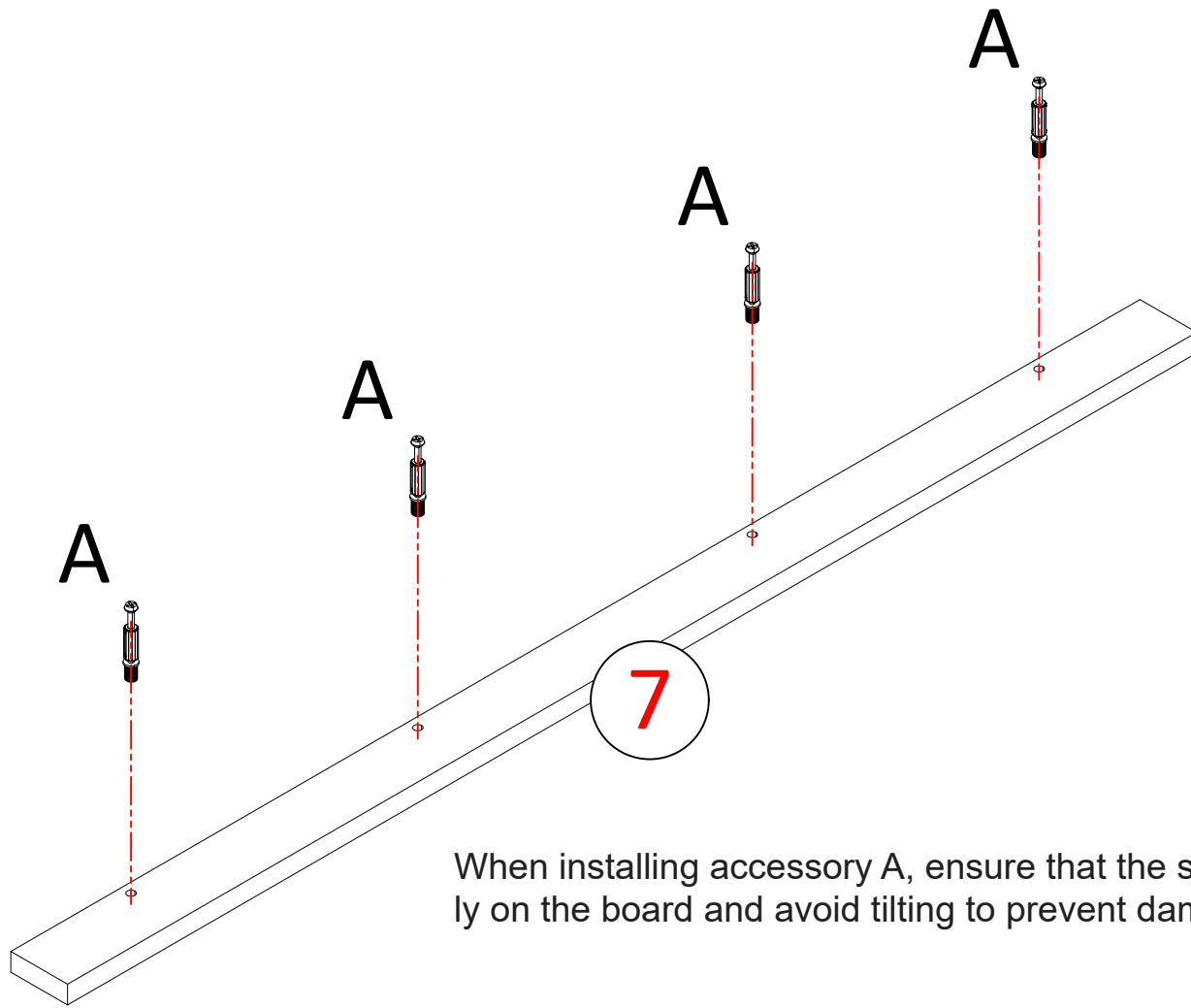
P6

1

A M5x42



16 PCS

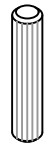


When installing accessory A, ensure that the screw is installed vertically on the board and avoid tilting to prevent damage to the wood panel.

x4

2

H Ø6x40

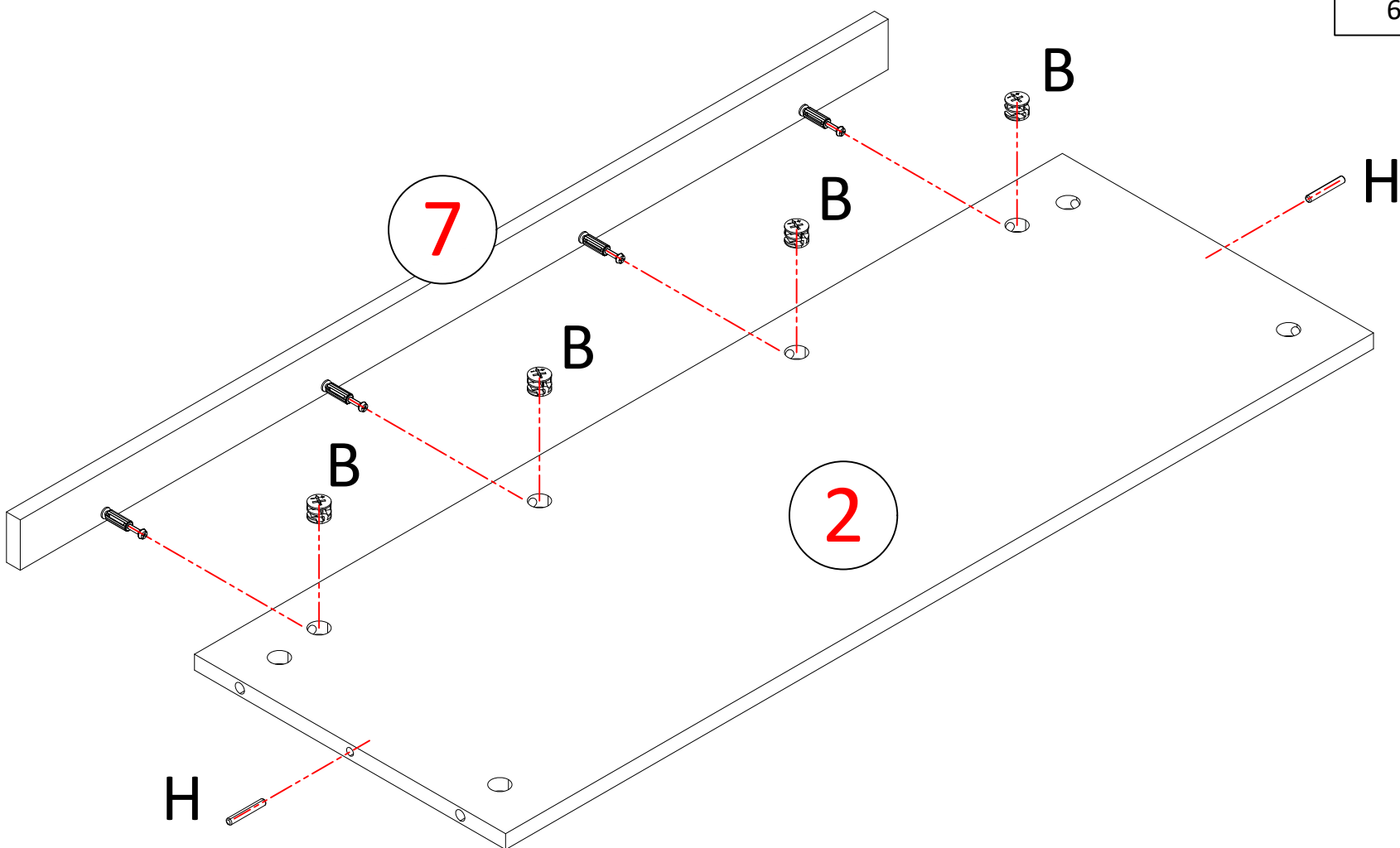


6 PCS

B Ø15x10



12 PCS

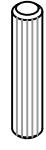


x3

P7

3

H $\varnothing 6 \times 40$

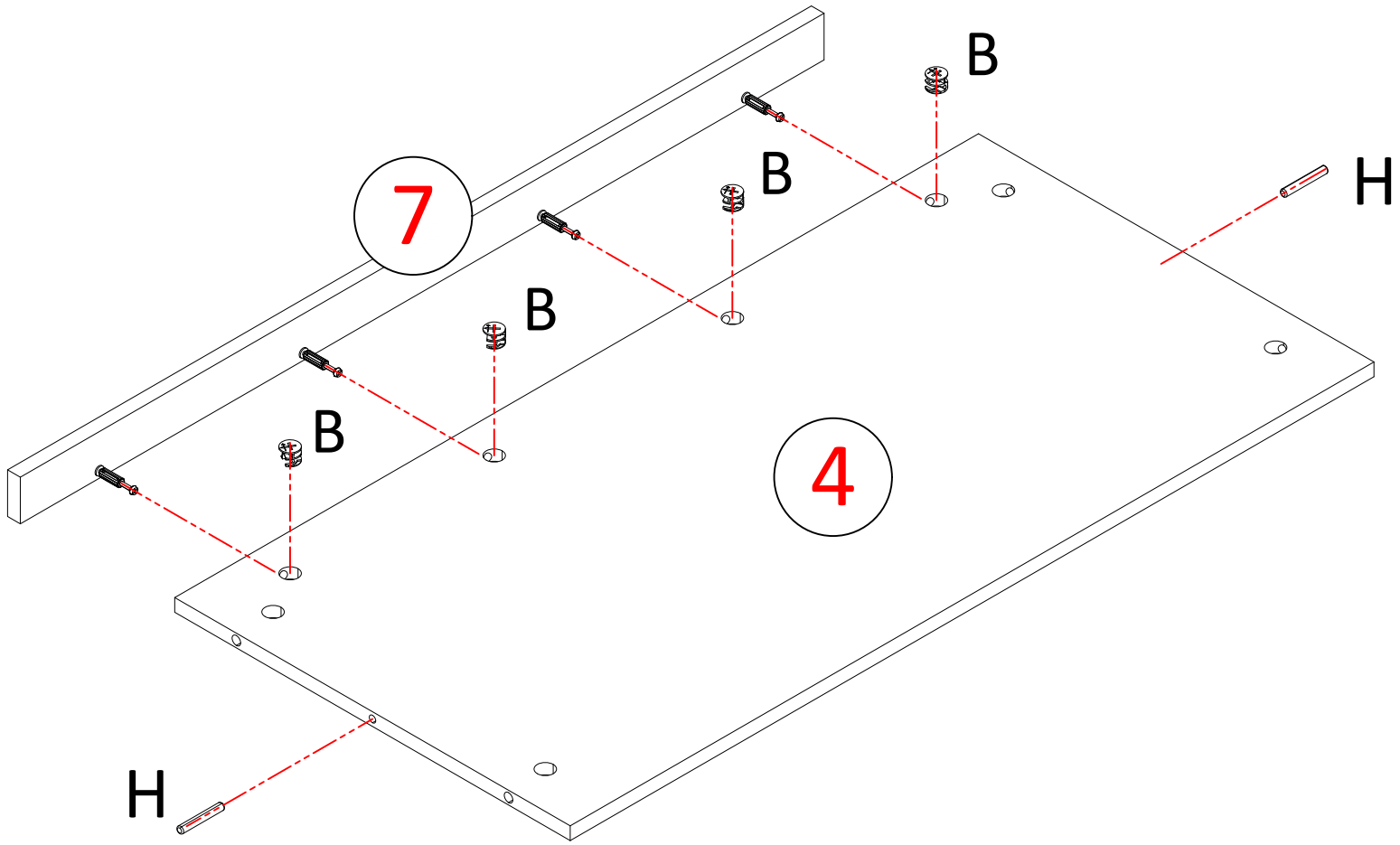


2 PCS

B $\varnothing 15 \times 10$



4 PCS

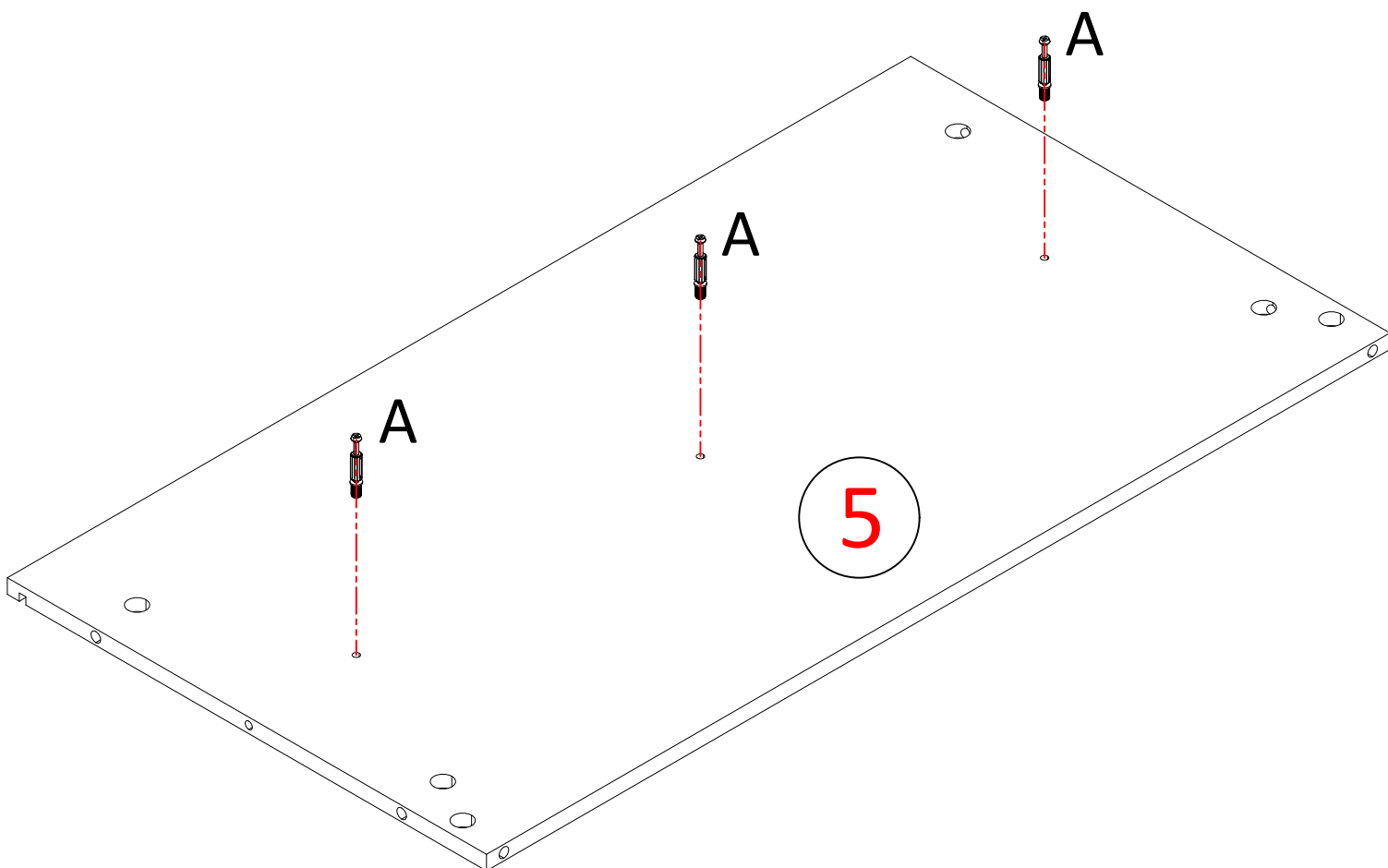


4

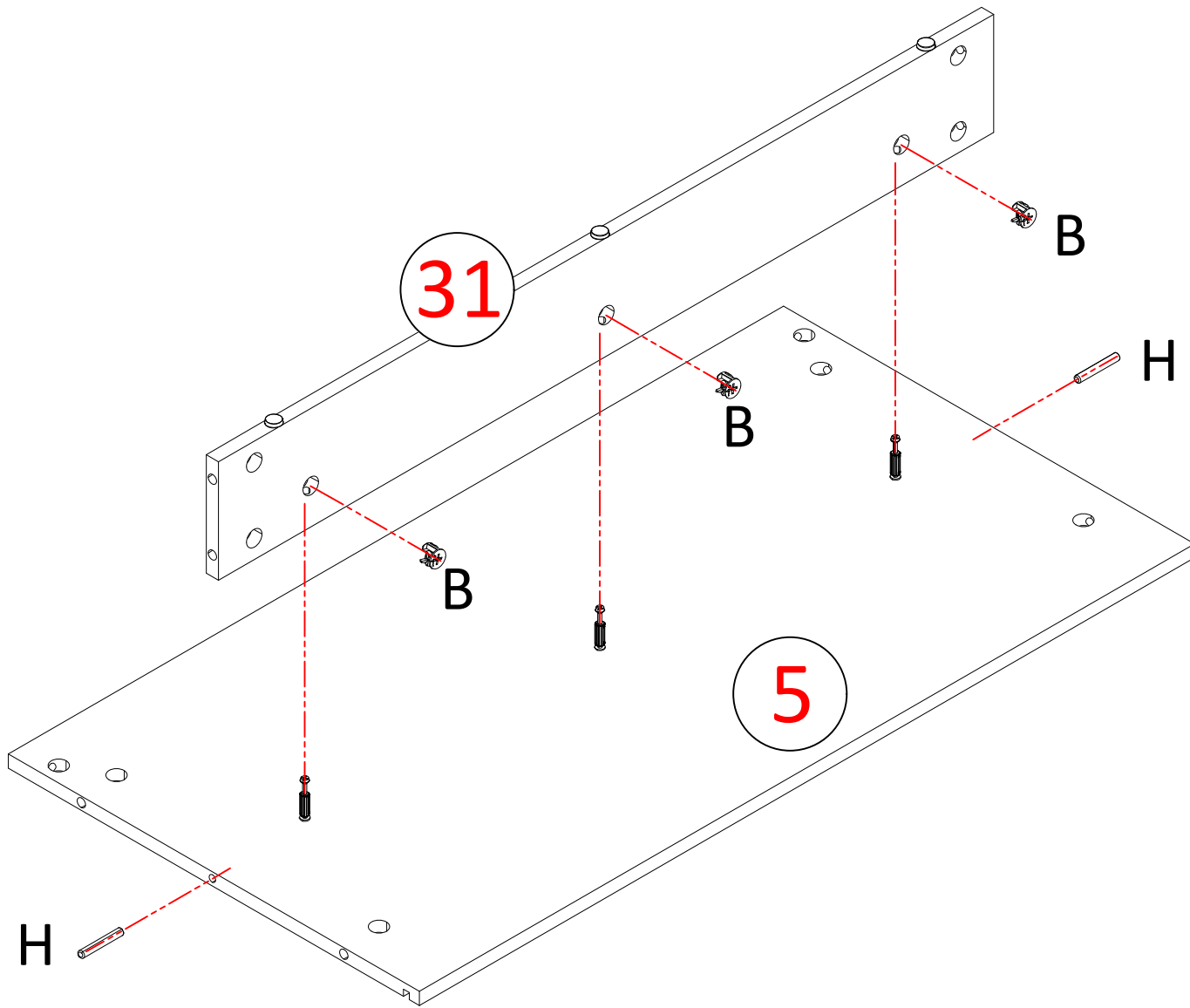
A M5x42





3 PCS

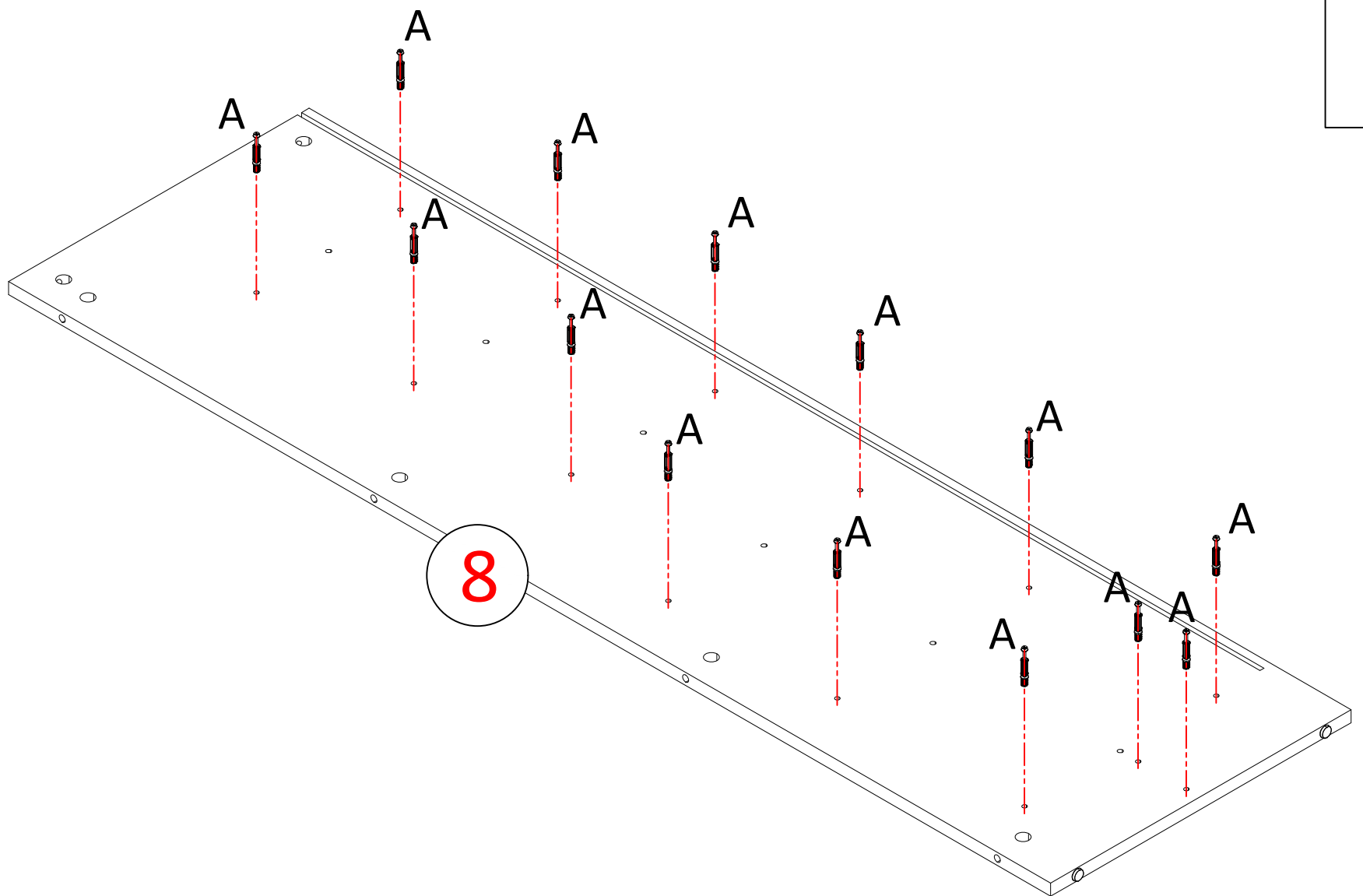



5



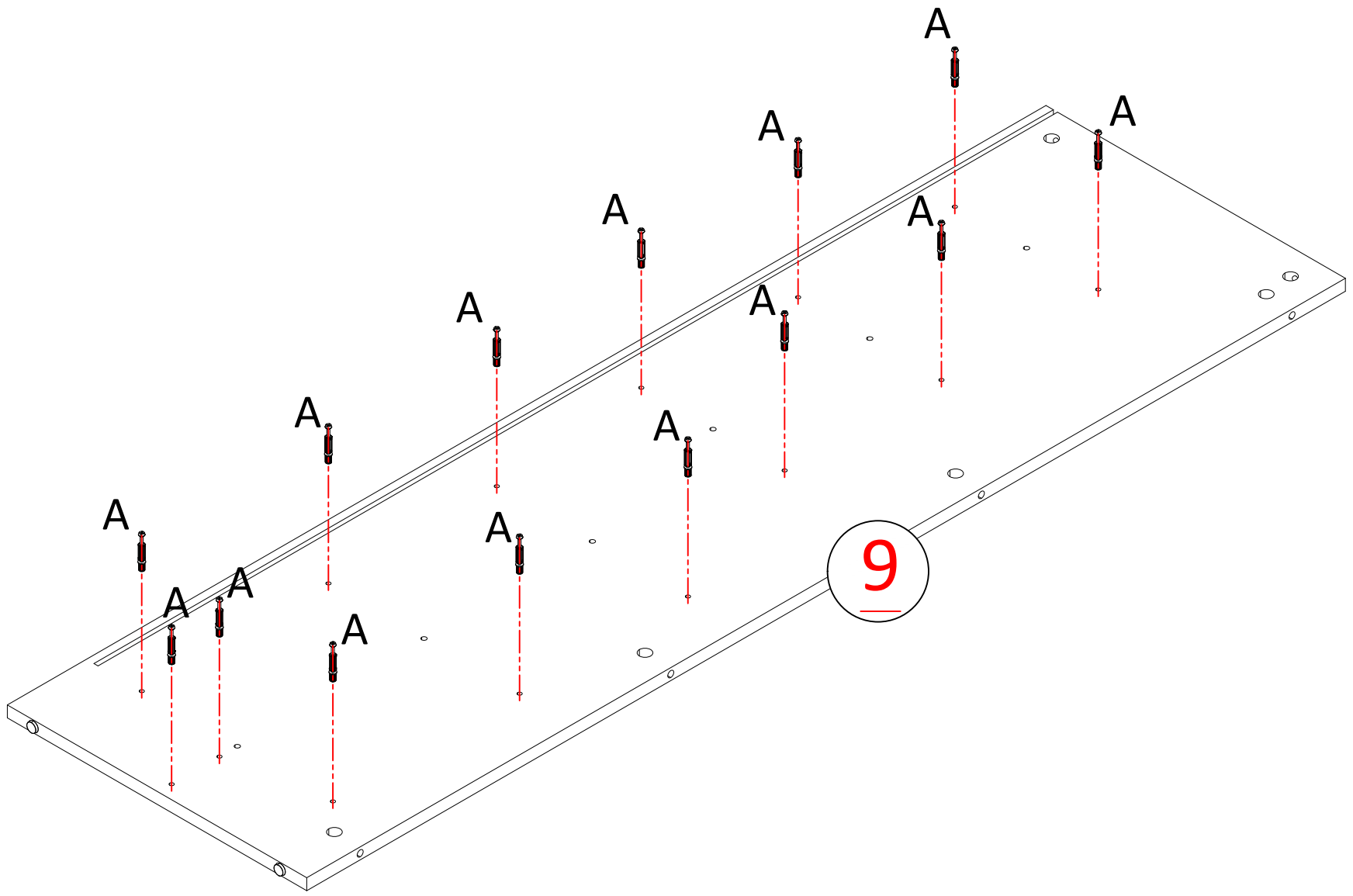
H	B
	
2 PCS	3 PCS

6



A	M5x42
	
14 PCS	

7



A M5x42



14 PCS

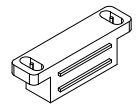
8

H Ø6x40



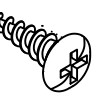
2 PCS

K

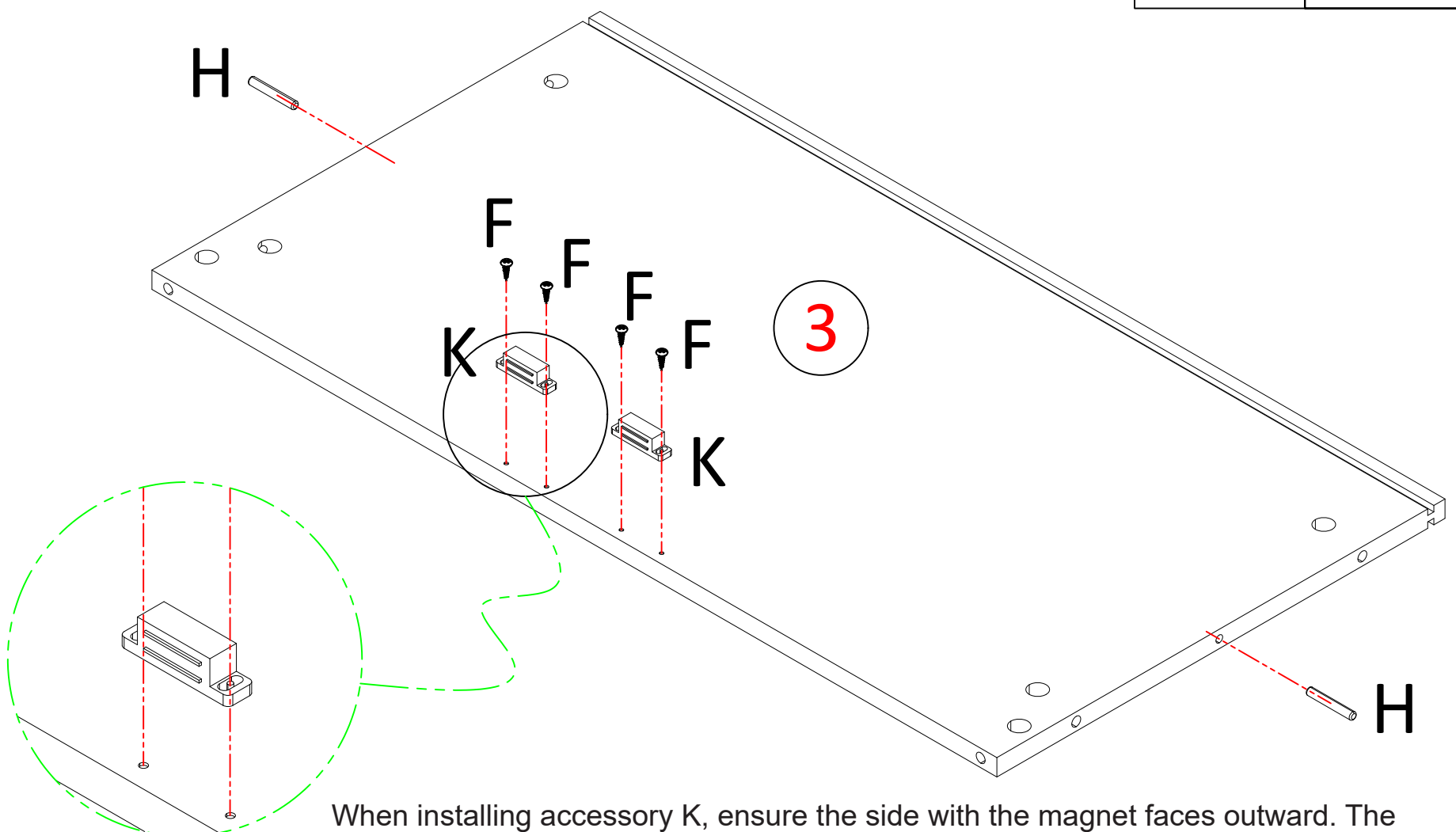


2 PCS

F M3x14



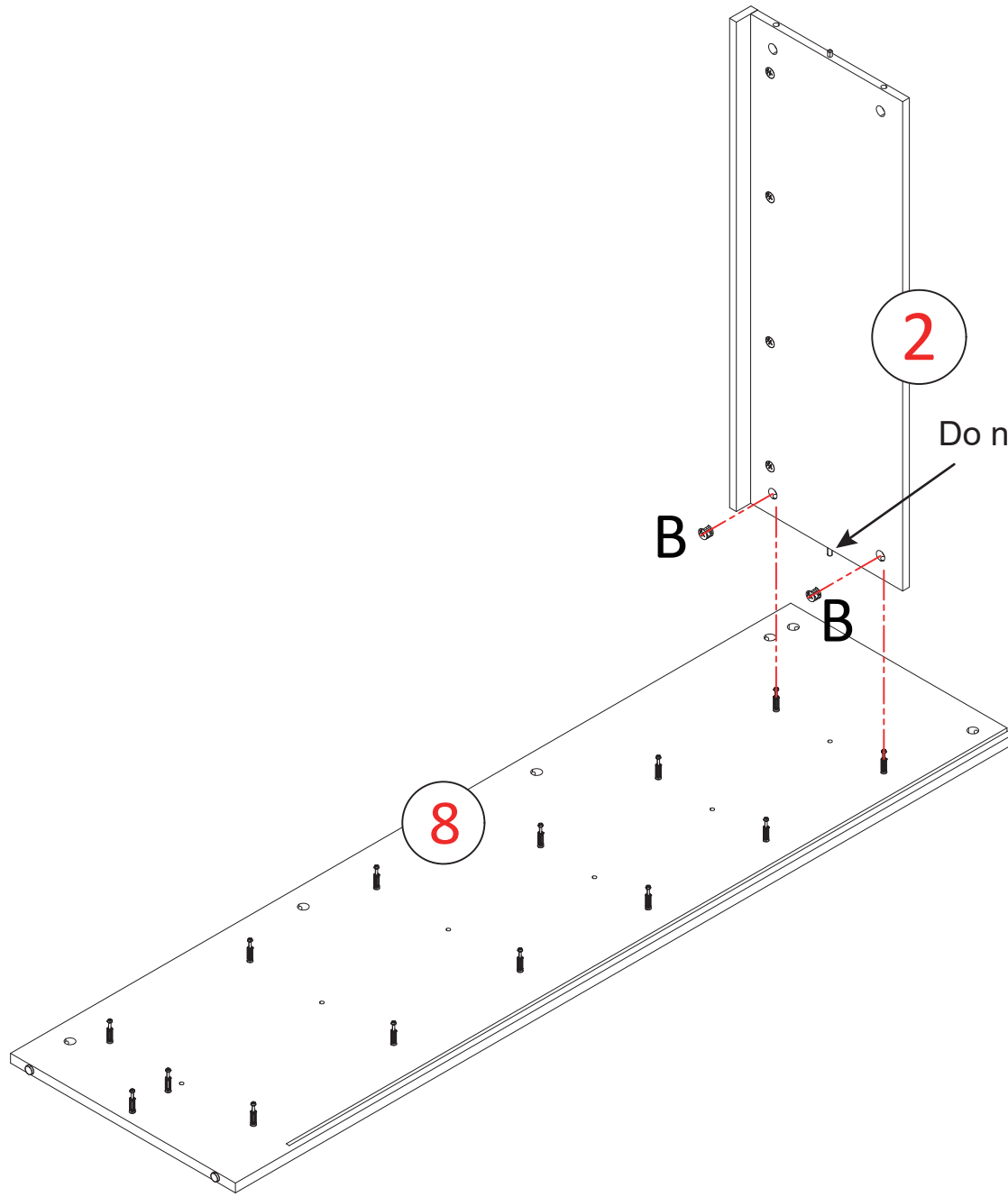
4 PCS



When installing accessory K, ensure the side with the magnet faces outward. The screw holes of accessory K are oval-shaped, allowing for position adjustment during installation. Extend the magnetized side of accessory K outward as much as possible.

P10

9

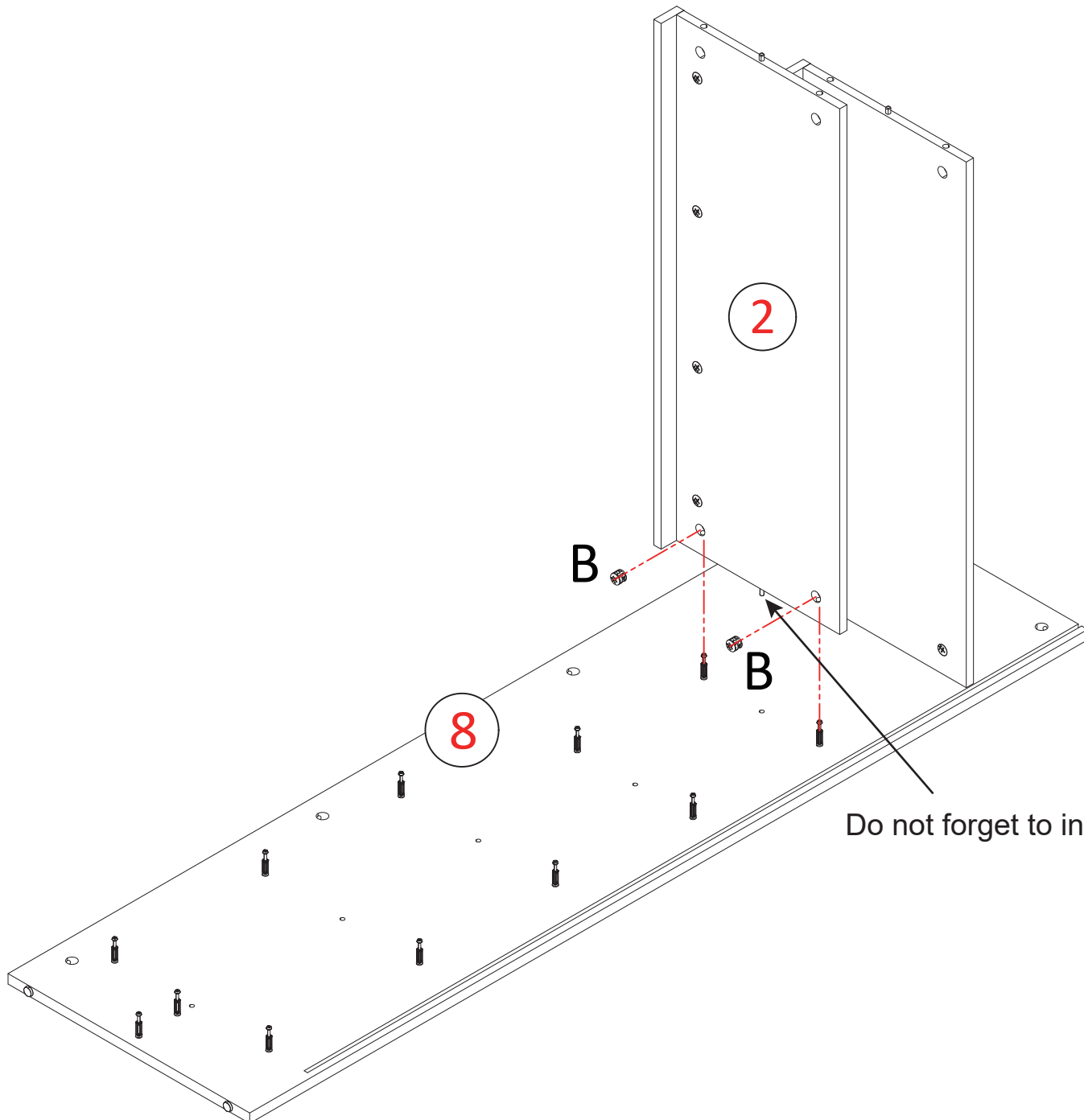


B Ø15x10



2 PCS

10



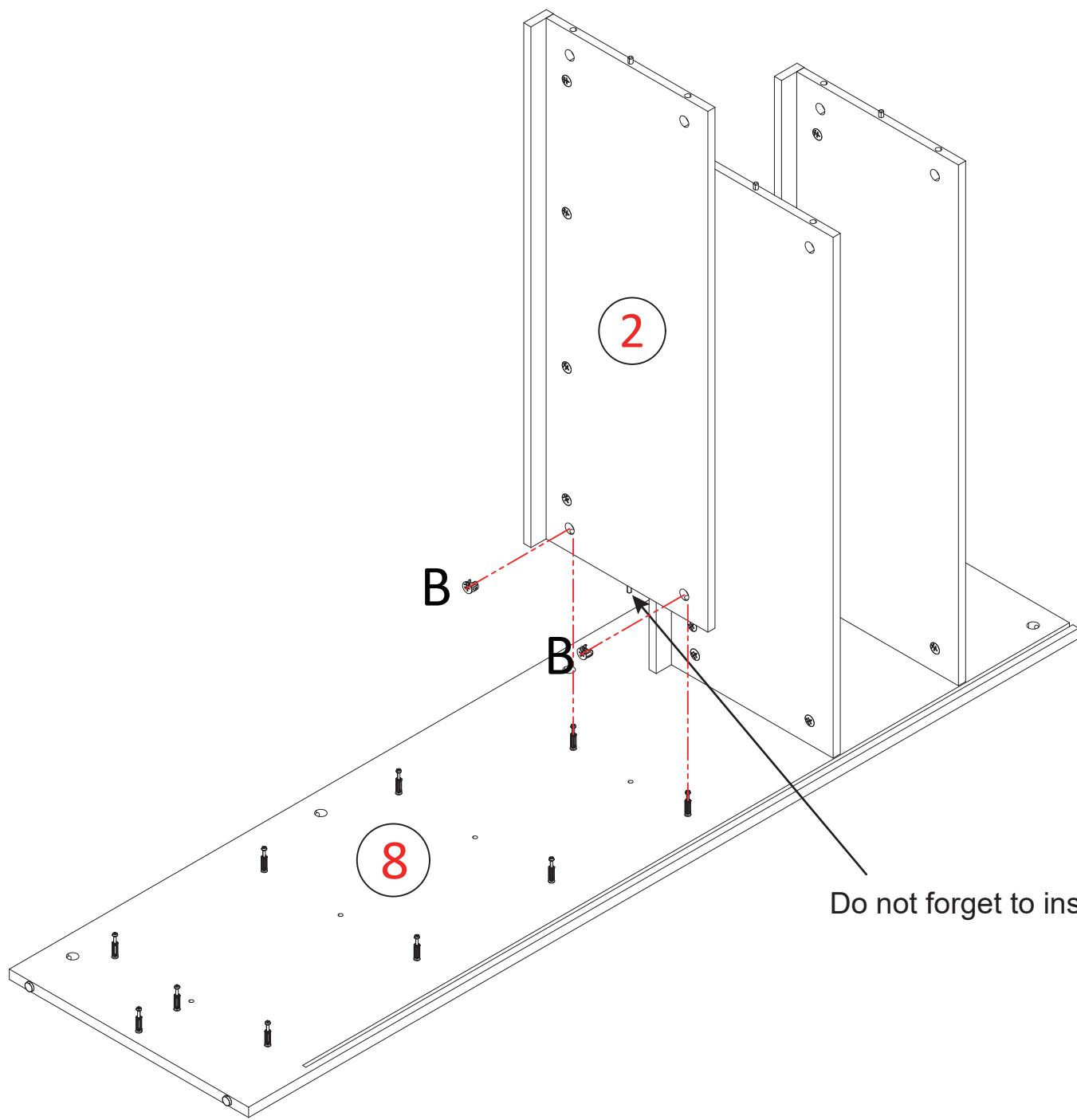
B Ø15x10



2 PCS

P11

11



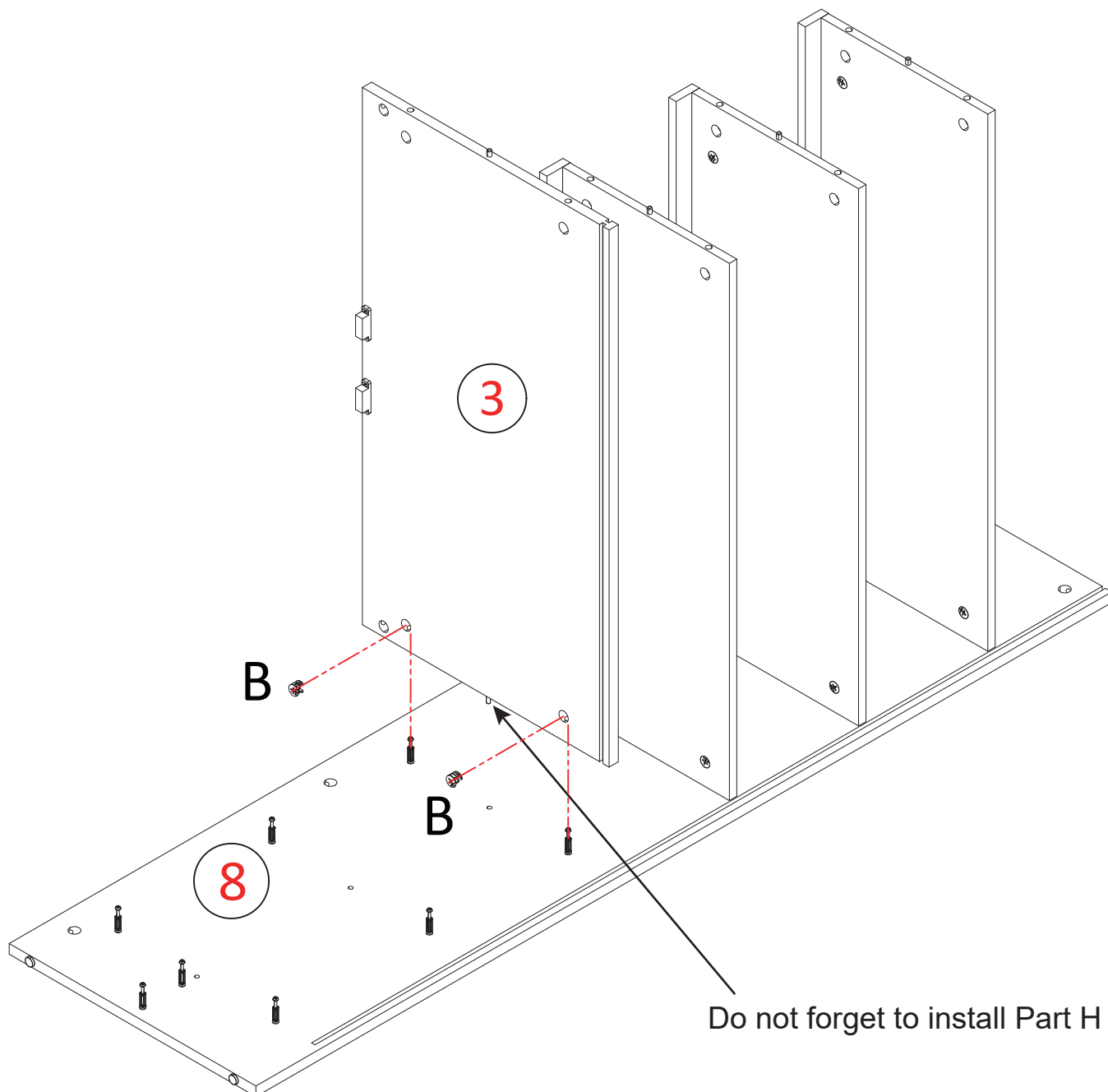
B Ø15x10



2 PCS

Do not forget to install Part H (Wood stick).

12



B Ø15x10

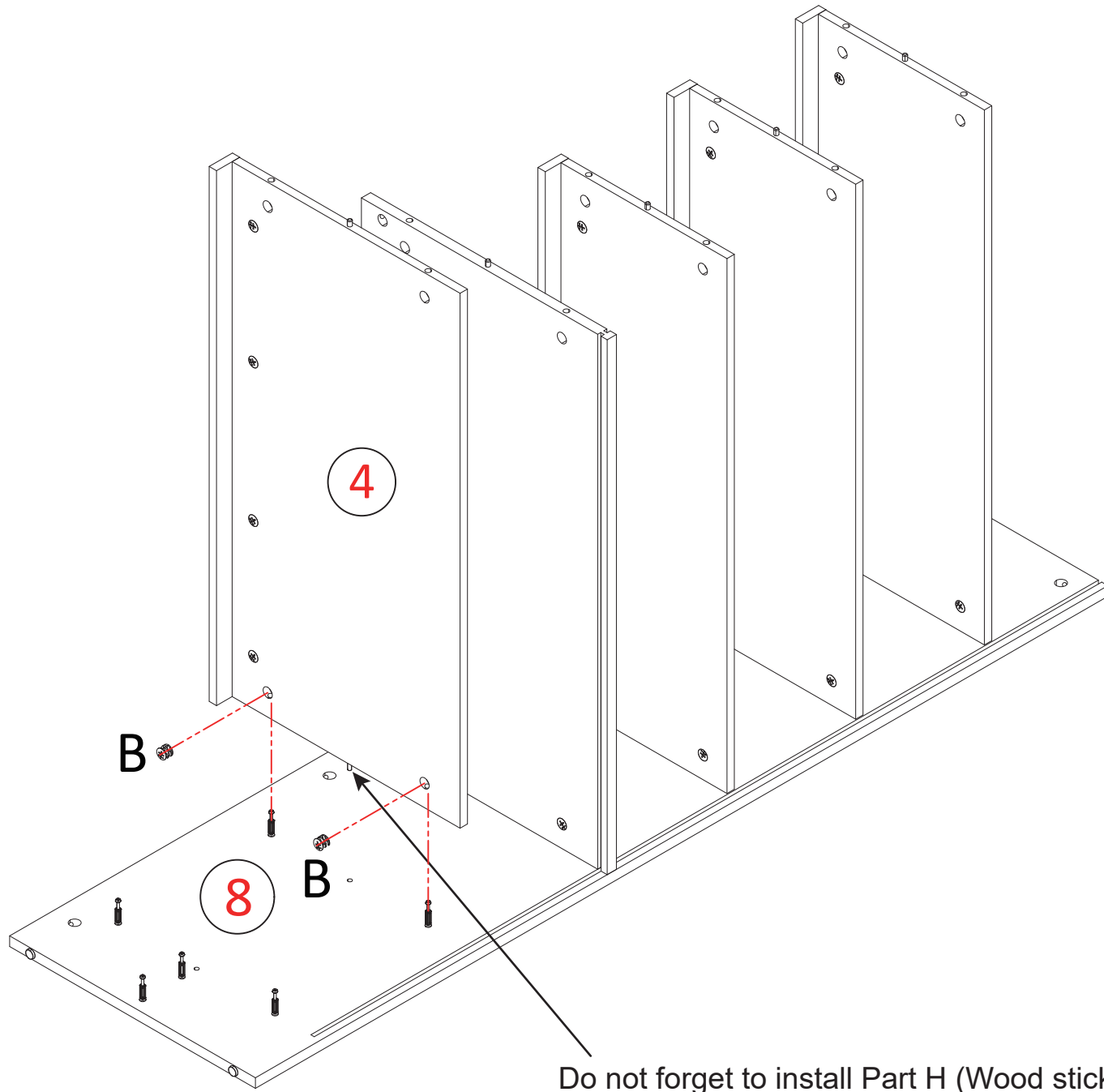


2 PCS

Do not forget to install Part H (Wood stick).

P12

13



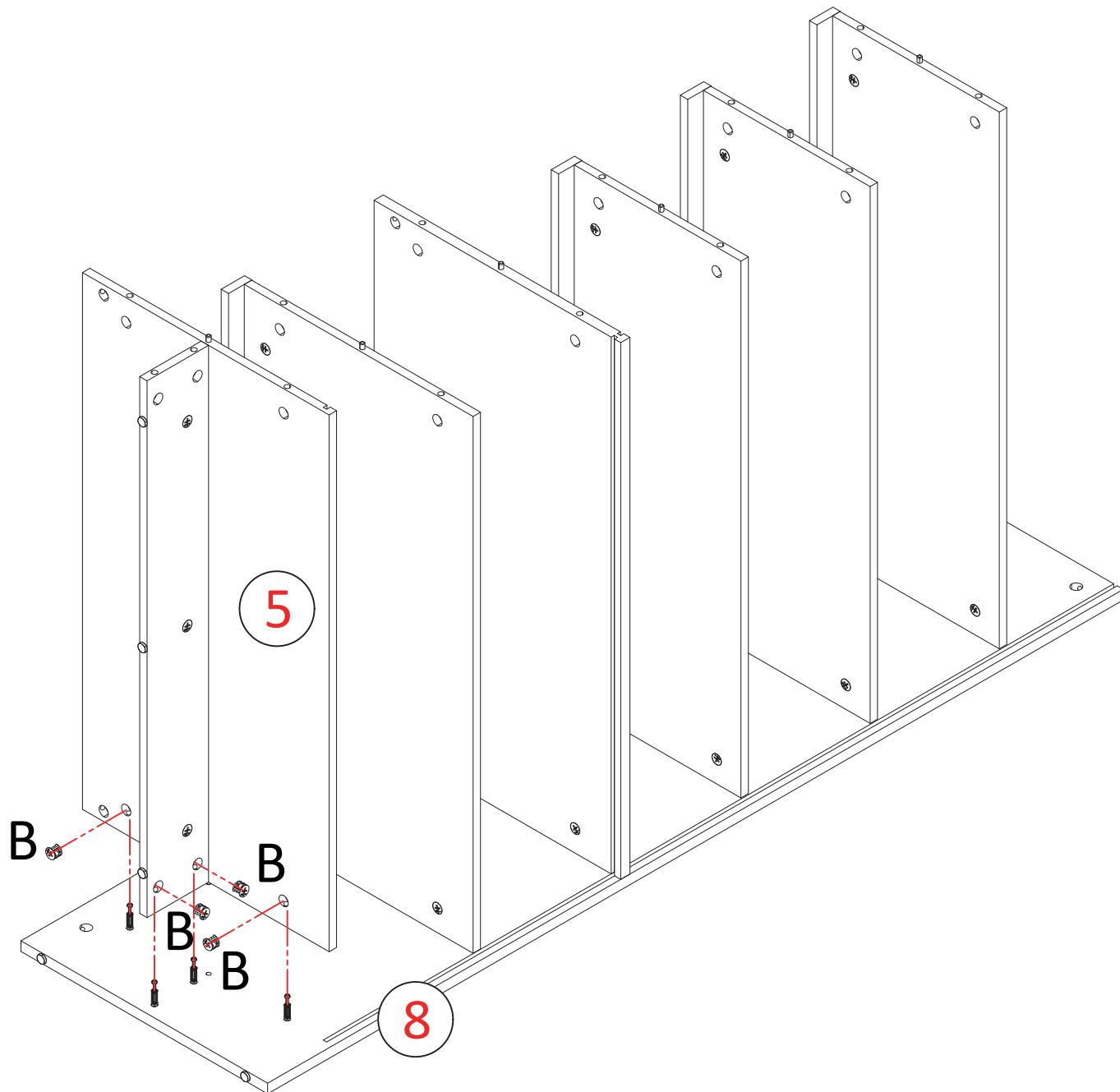
Do not forget to install Part H (Wood stick).

B Ø15x10



2 PCS

14



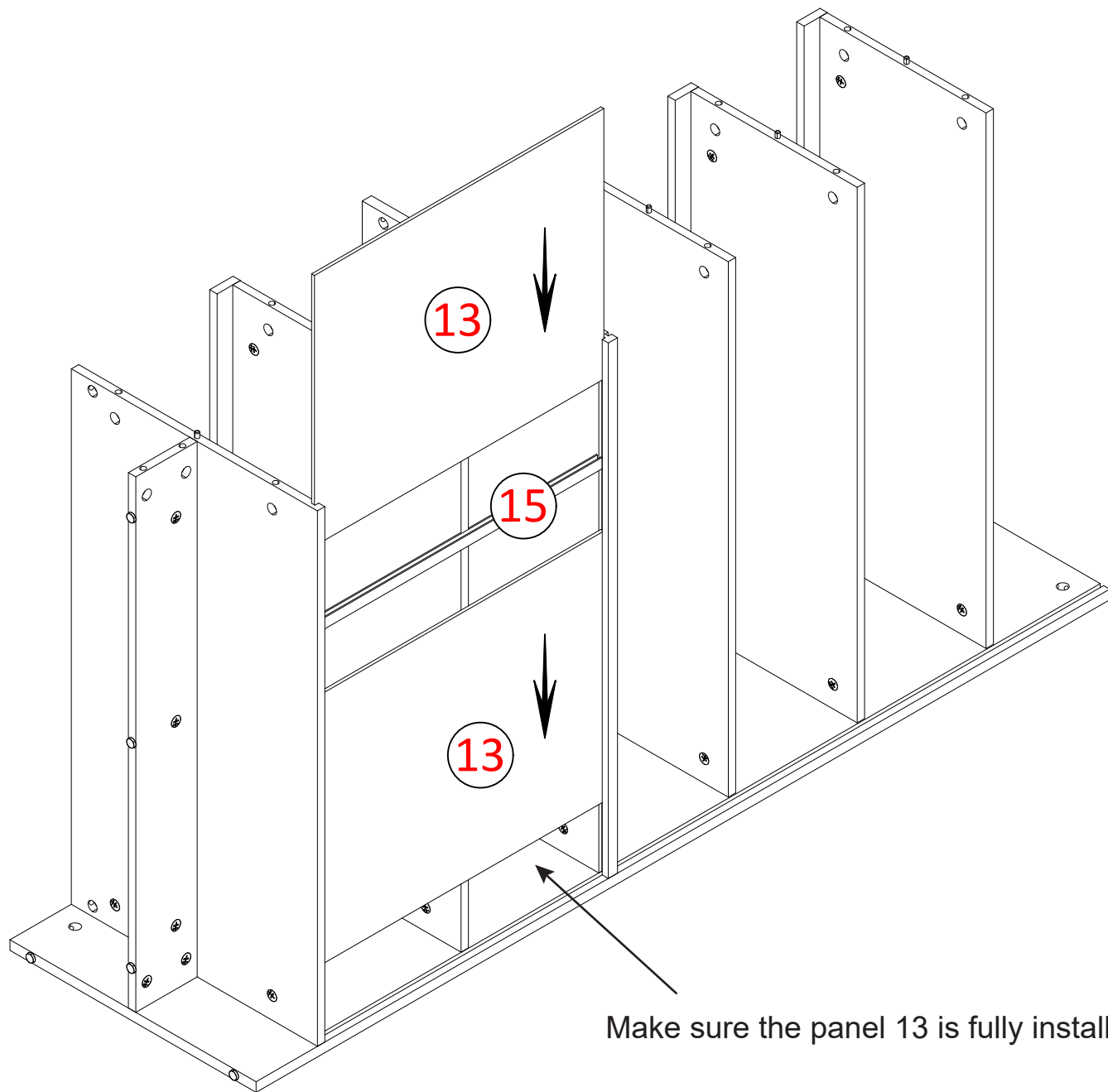
B Ø15x10



4 PCS

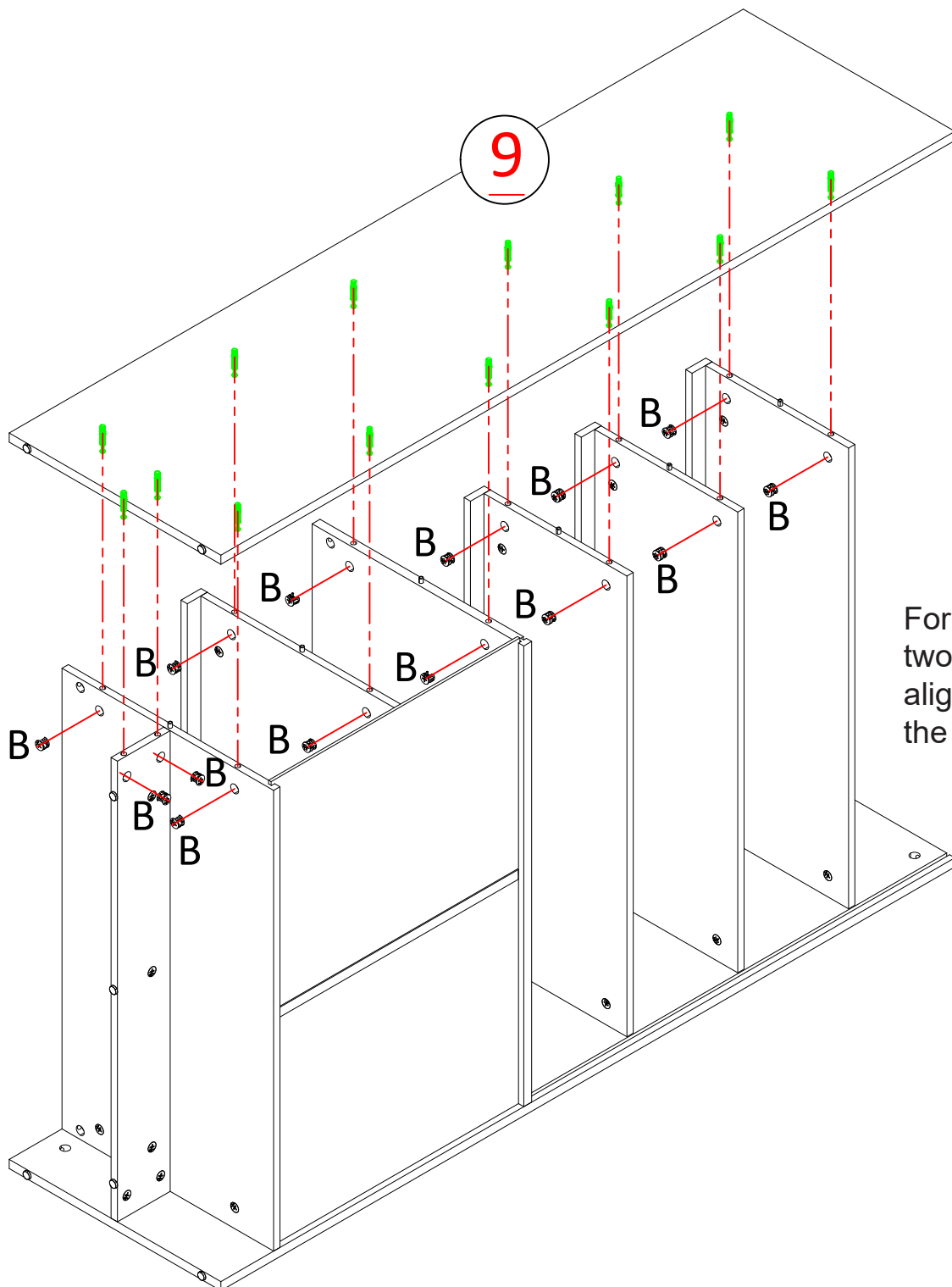
P13

15



Make sure the panel 13 is fully installed into the groove.

16



B Ø15x10

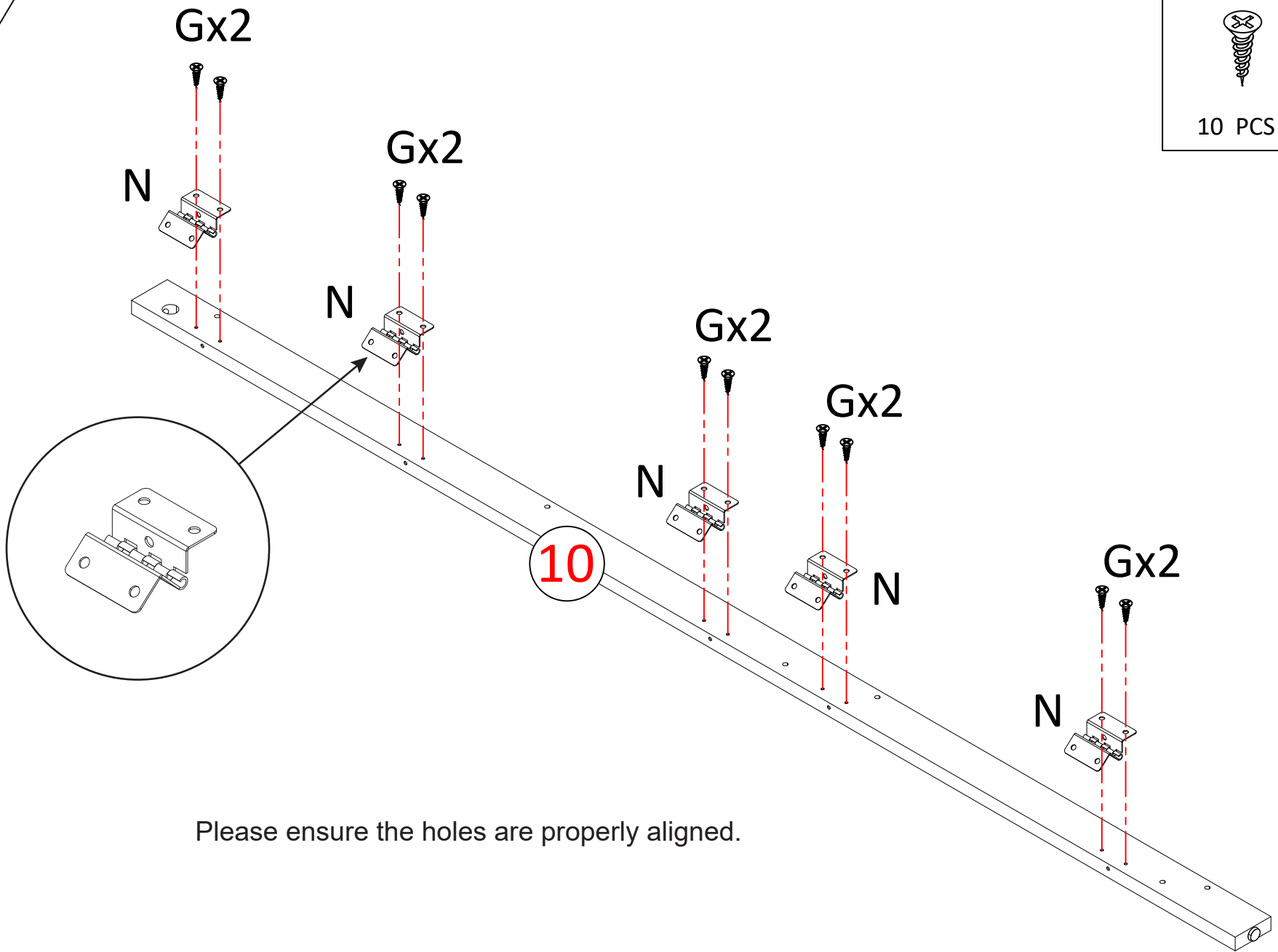


14 PCS

For this step, please install it with two people. One person should align the holes, while the other lifts the panel.

P14

17

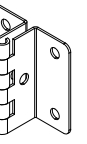


G M3.5x14



10 PCS

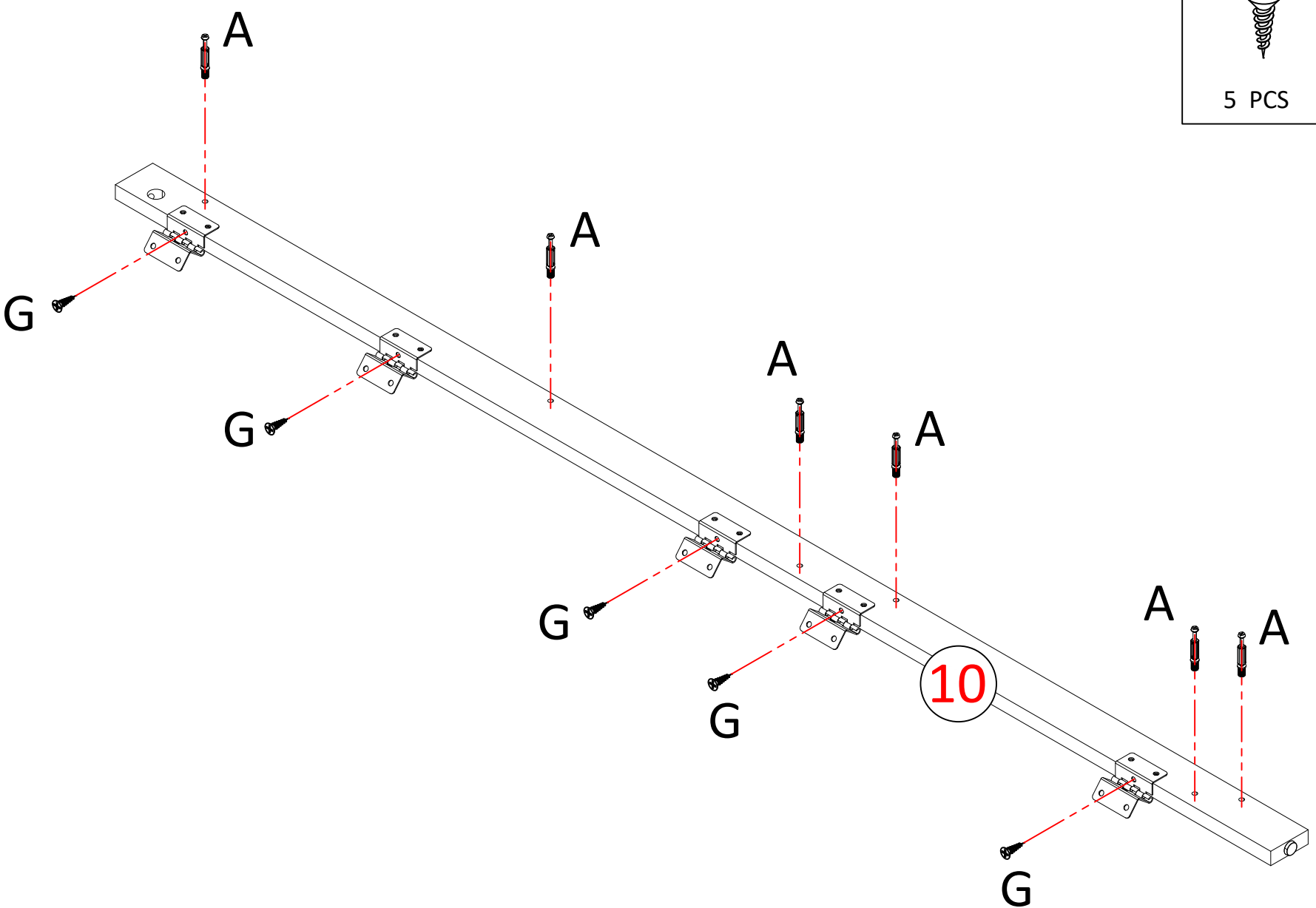
N



5 PCS

Please ensure the holes are properly aligned.

18



G M3.5x14



5 PCS

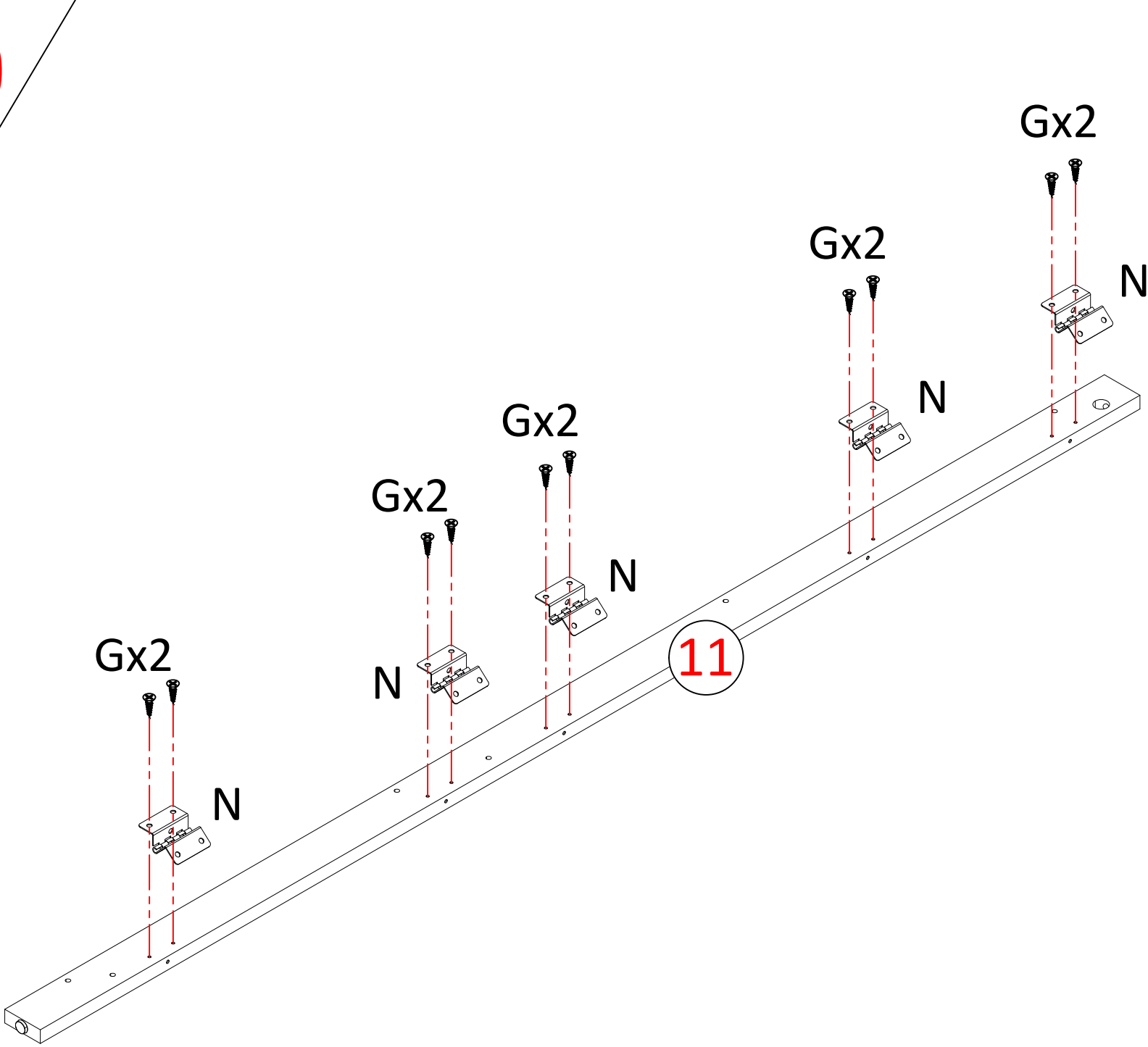
A M5x42



6 PCS

P15

19

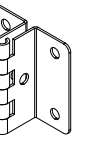


G M3.5x14



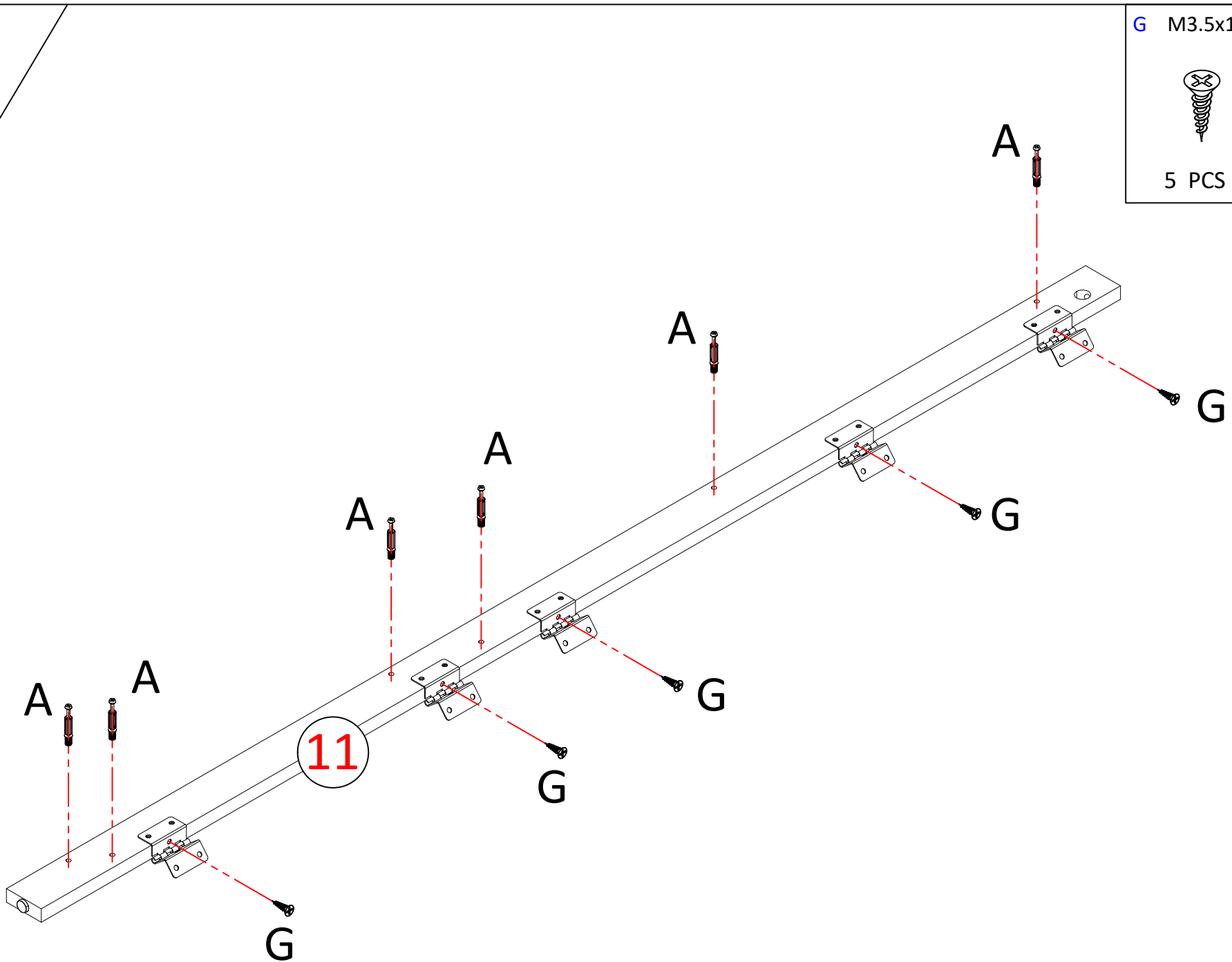
10 PCS

N



5 PCS

20



G M3.5x14



5 PCS

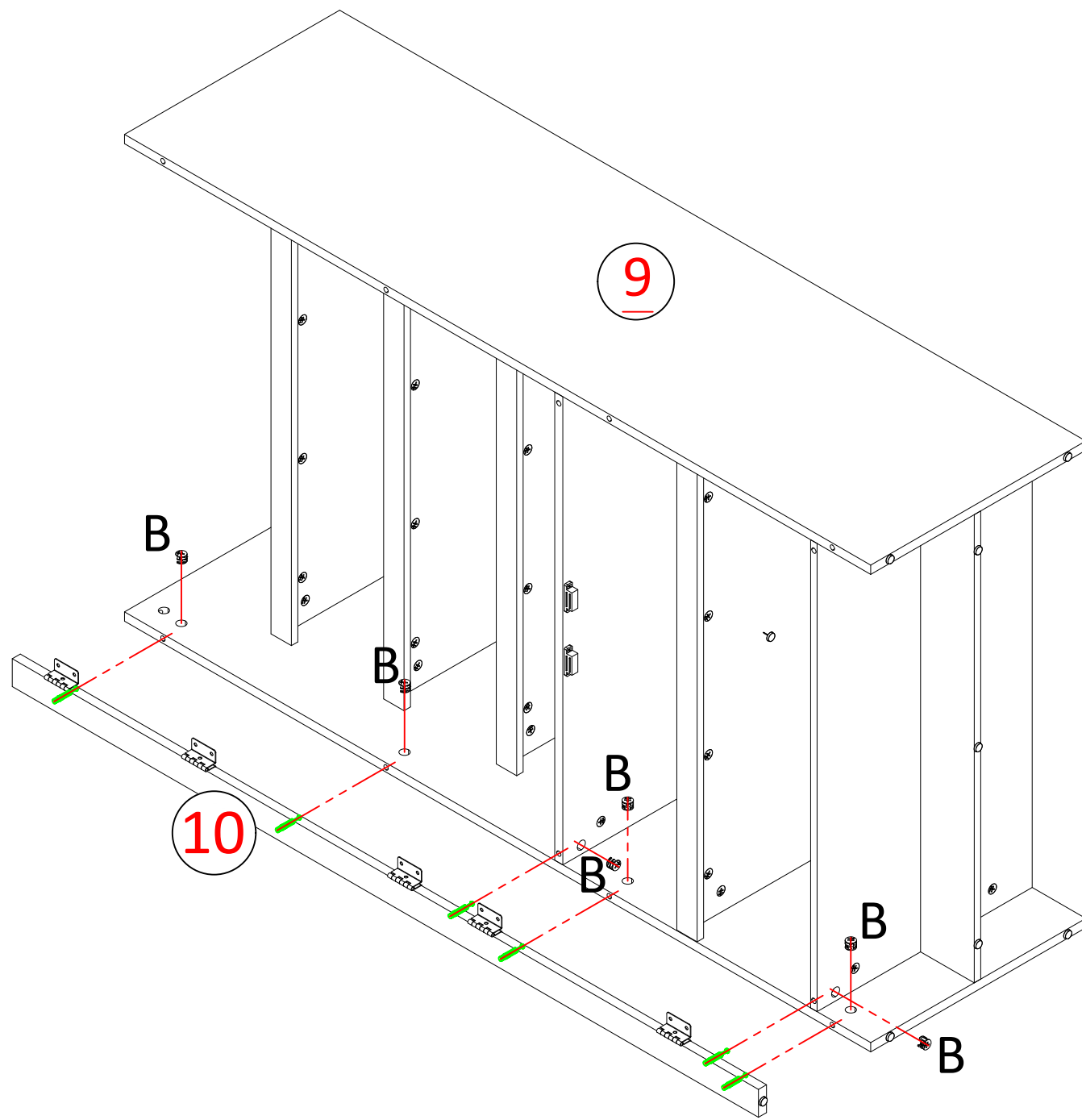
A M5x42



6 PCS

P16

21

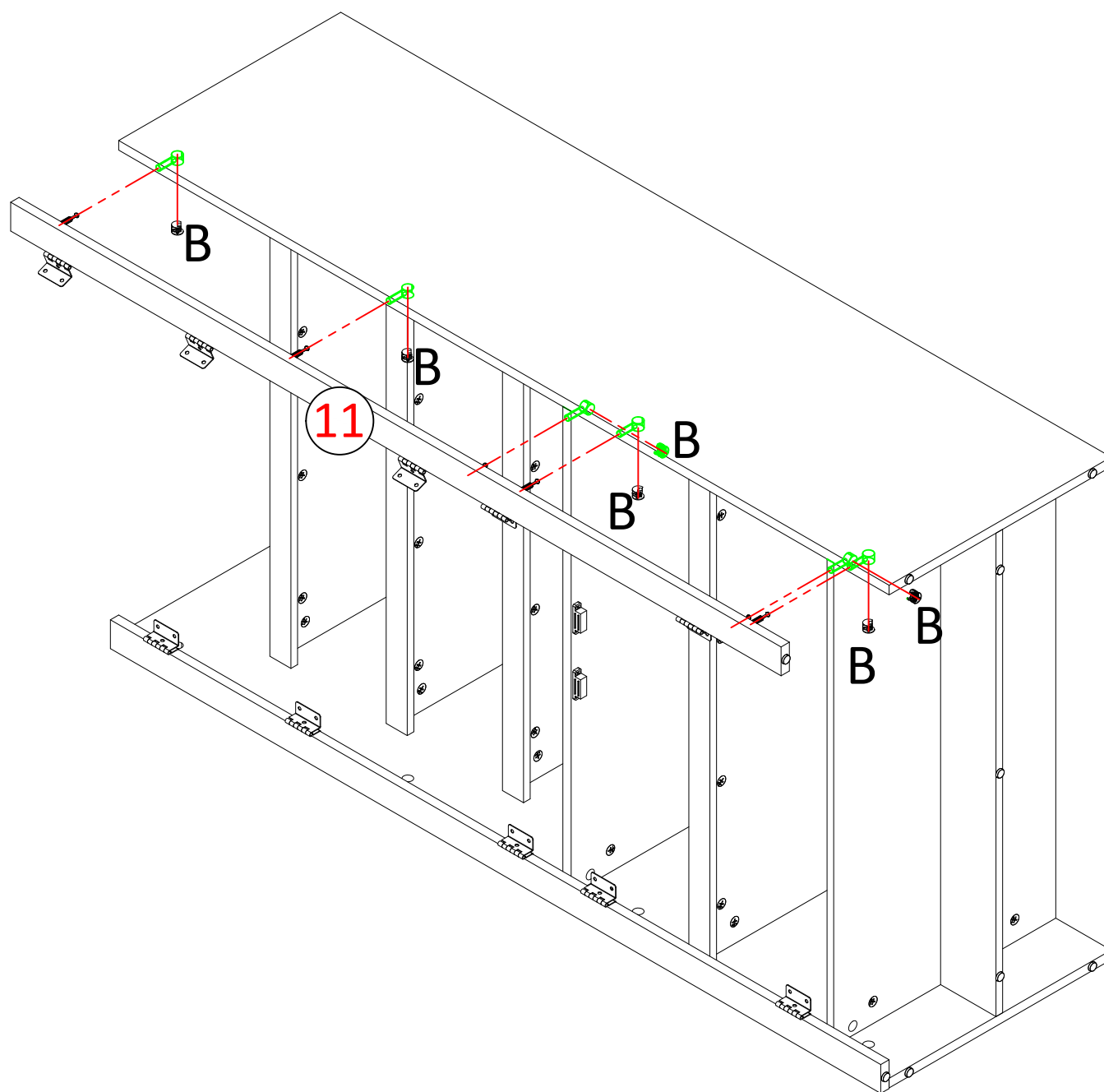


B Ø15x10



6 PCS

22



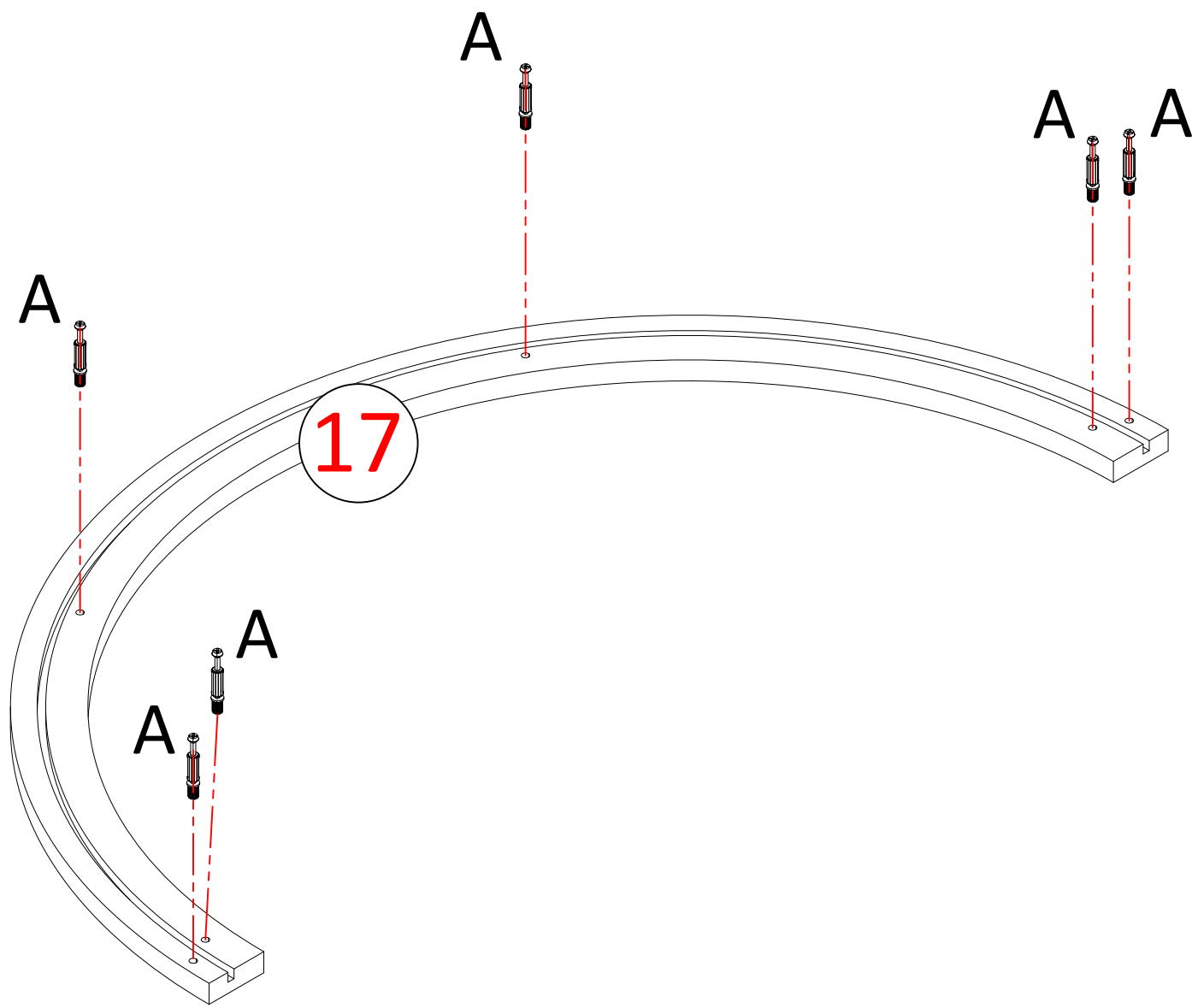
B Ø15x10



6 PCS

P17

23

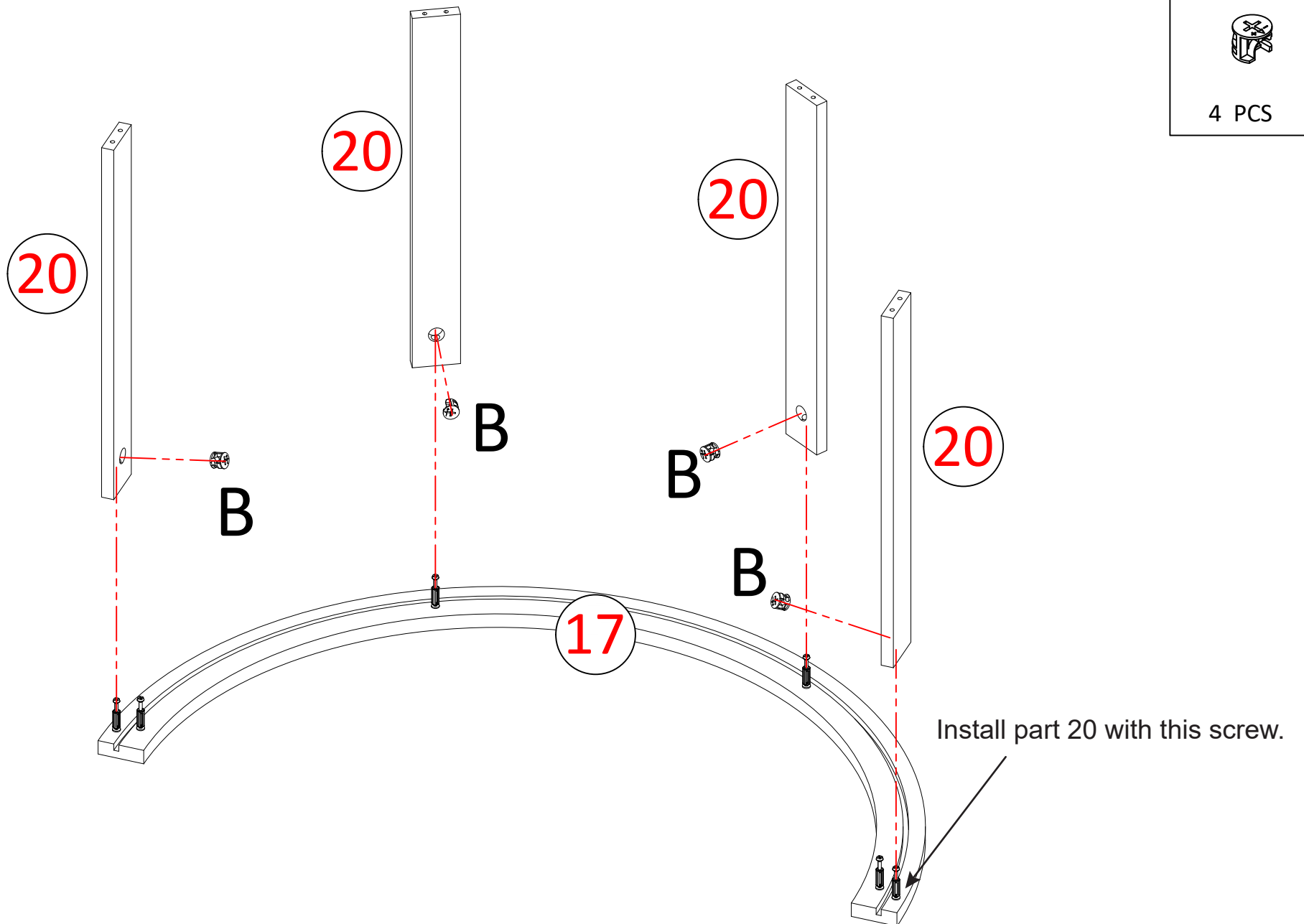


A M5x42



6 PCS

24



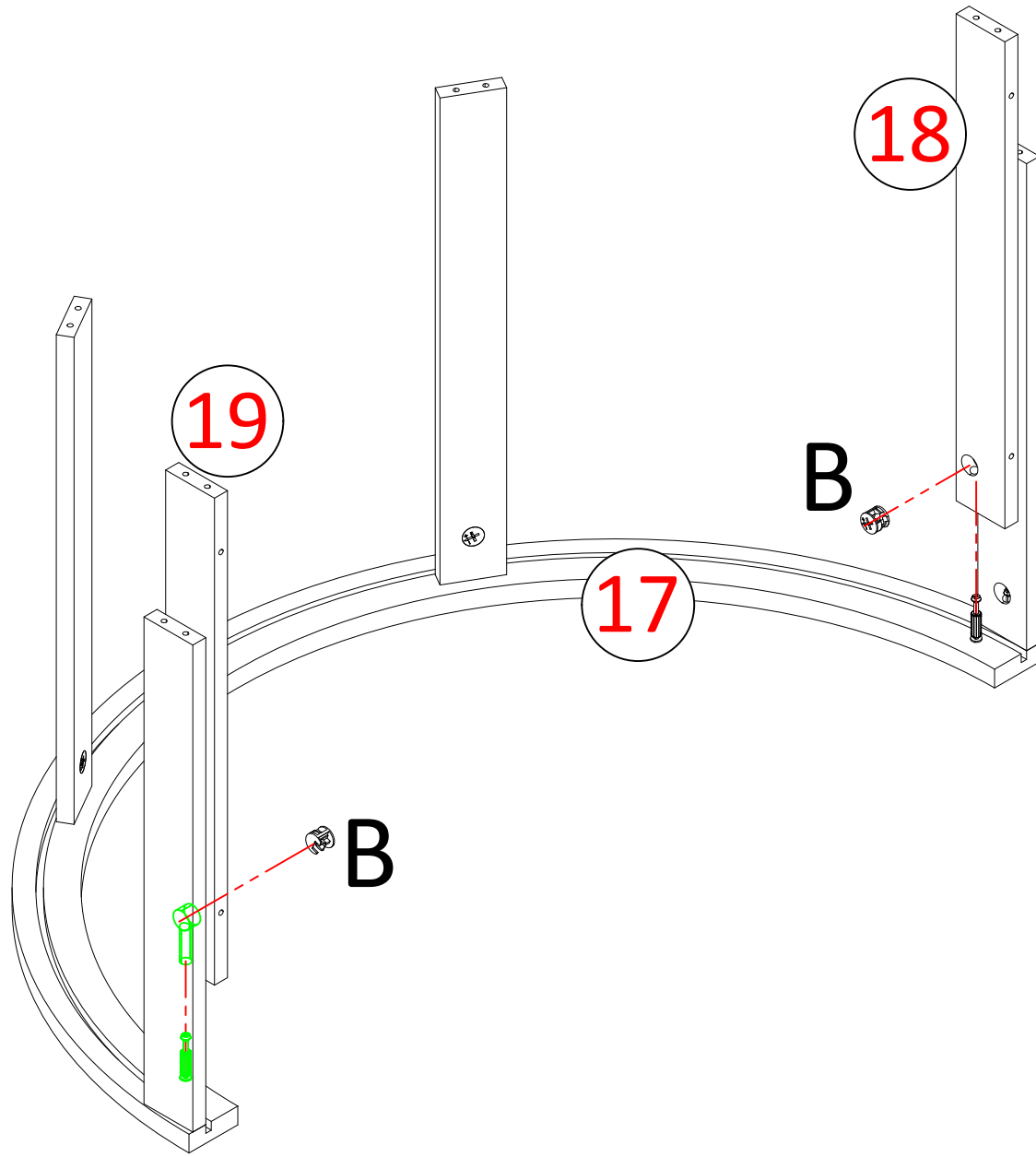
B Ø15x10



4 PCS

P18

25

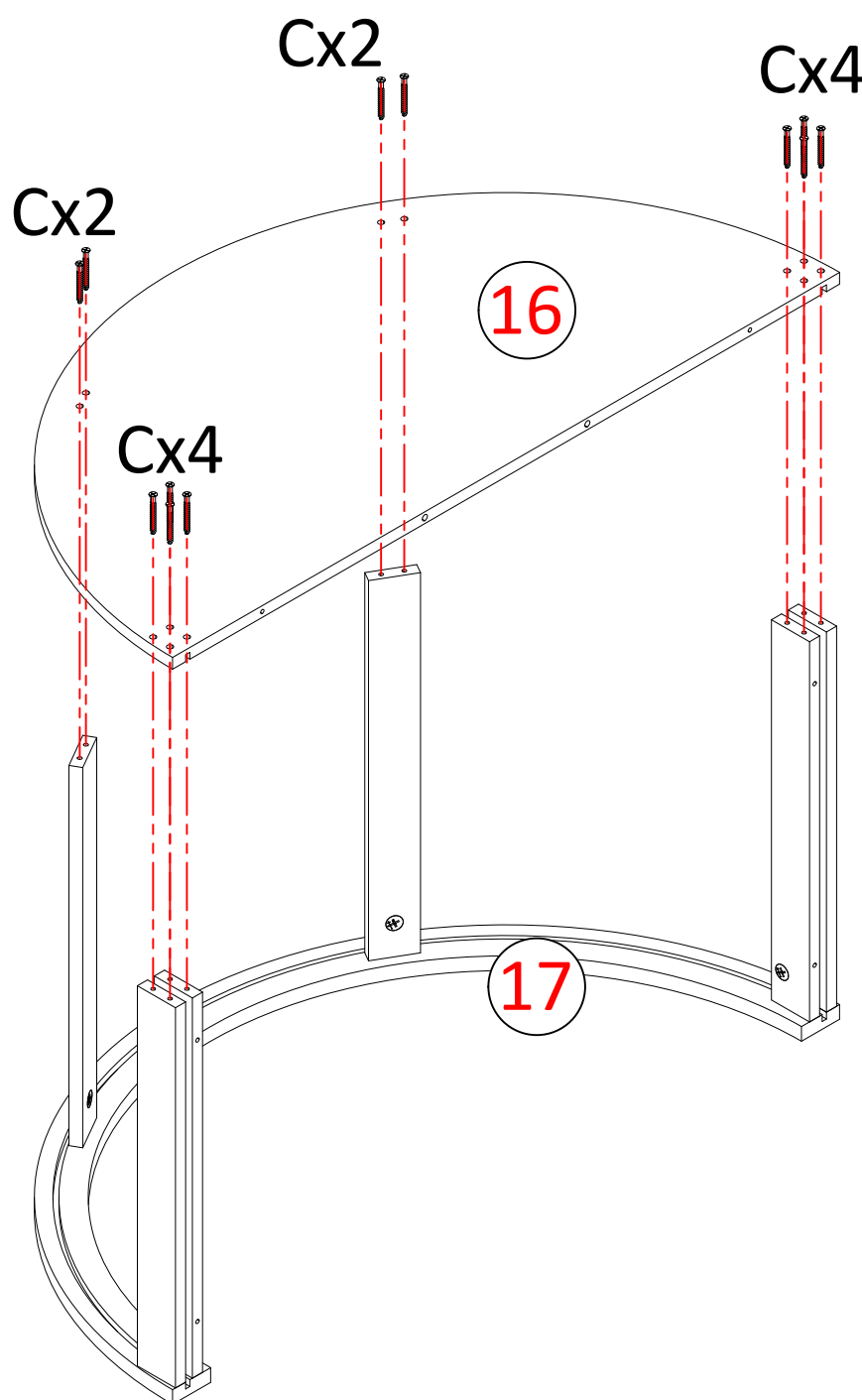


B Ø15x10



2 PCS

26

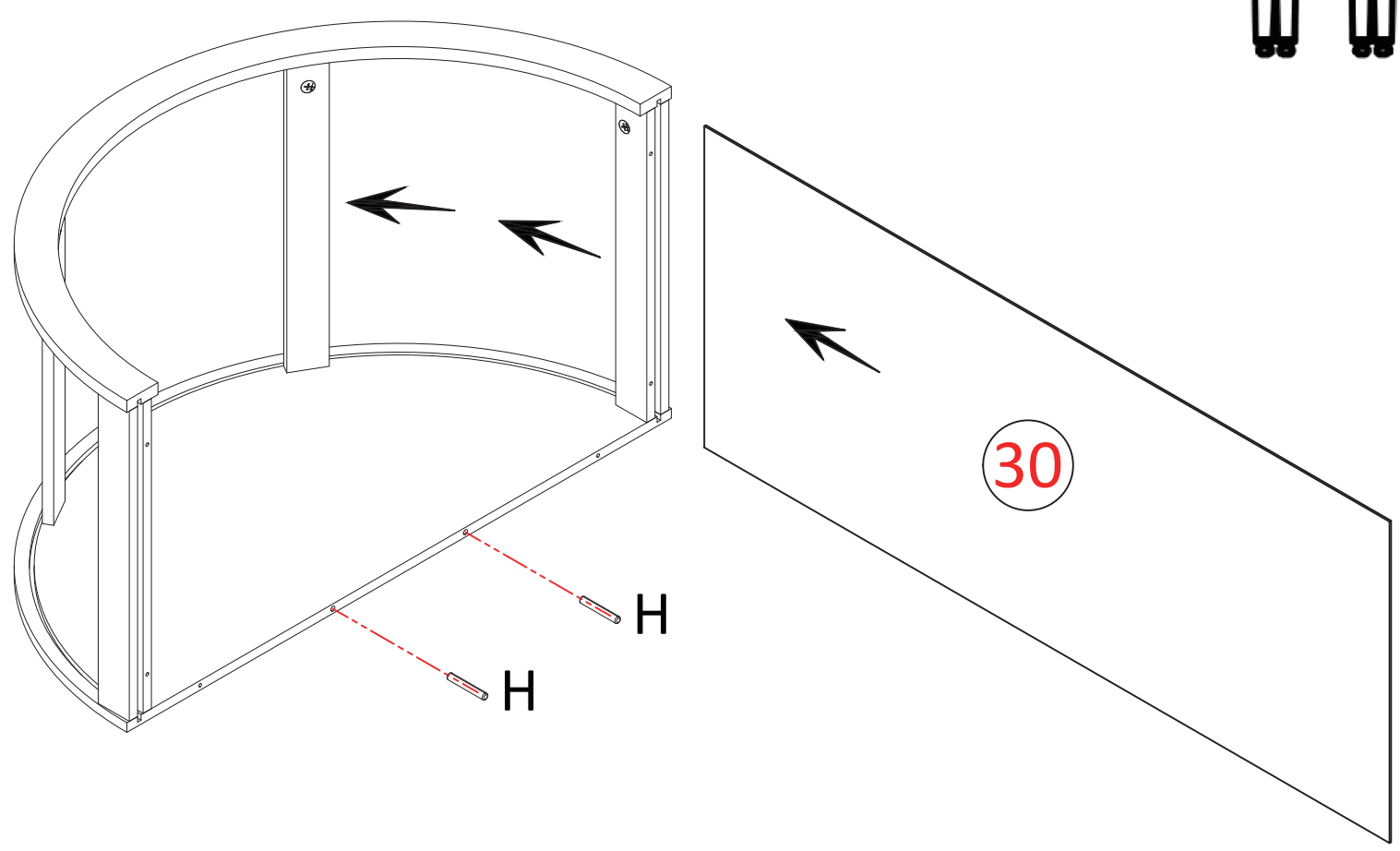



C M5x40



12 PCS

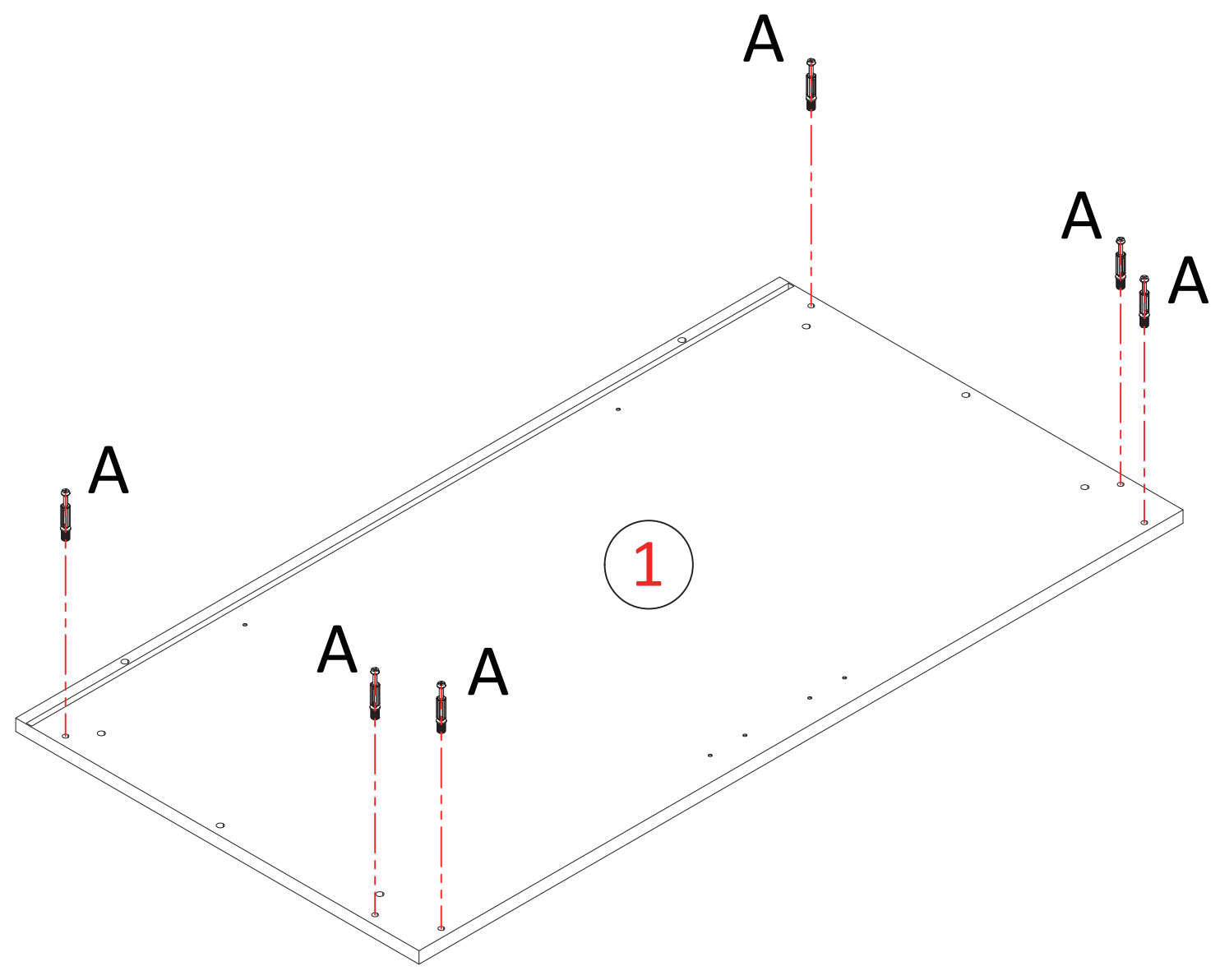
27




H Ø6x40

 2 PCS

For this step, it is essential to have **two people** perform the installation together. **One person should guide Accessory 30 along the correct groove track and pull it from the head end, while another person pushes it from the tail end.** If the accessory gets stuck at certain angles along the groove track, adjust its orientation and continue pushing it into place.

28

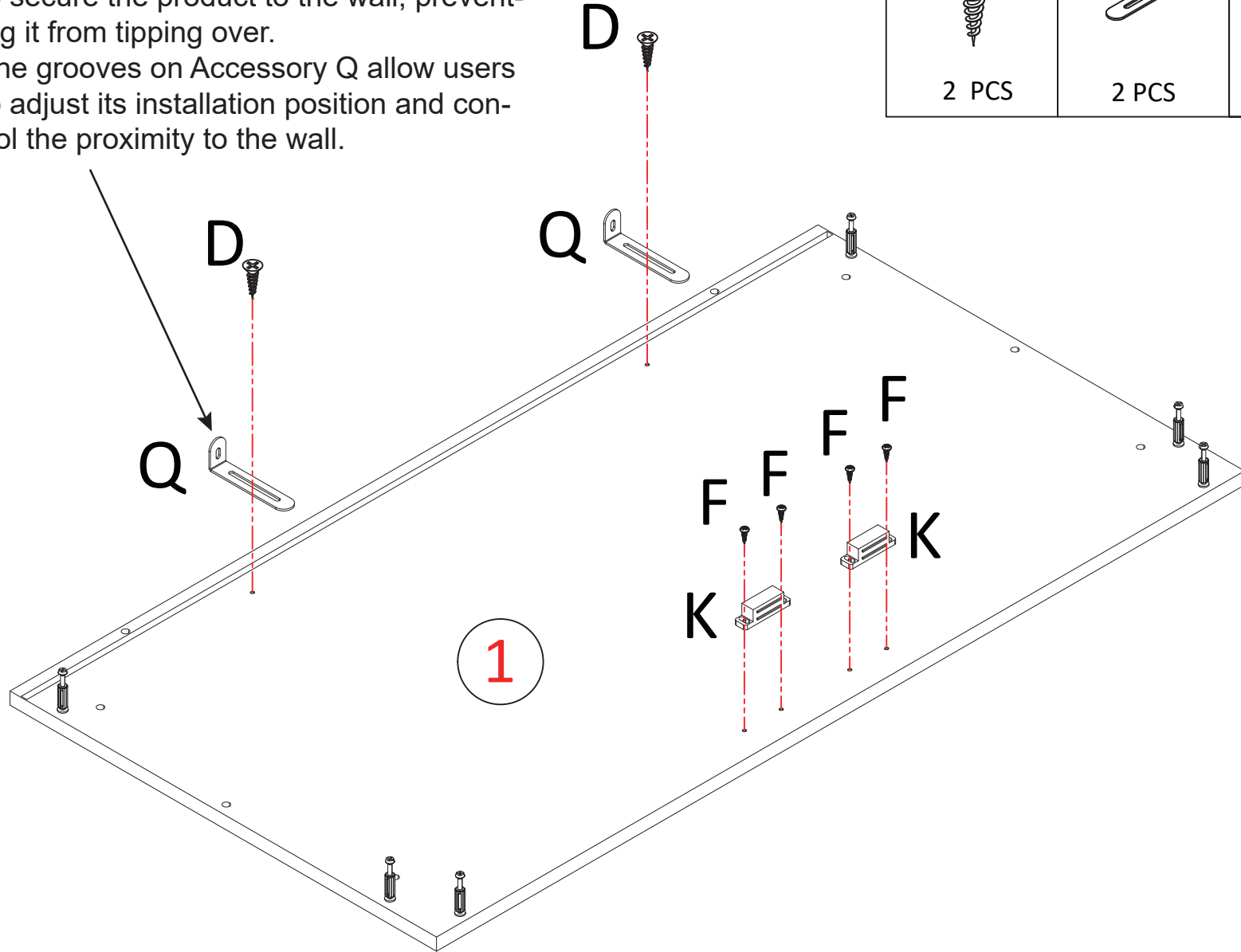


A M5x42

 6 PCS

P20

29

Accessory Q is optional and is designed to secure the product to the wall, preventing it from tipping over. The grooves on Accessory Q allow users to adjust its installation position and control the proximity to the wall.



D M3.5x12



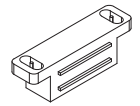
2 PCS

Q



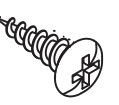
2 PCS

K



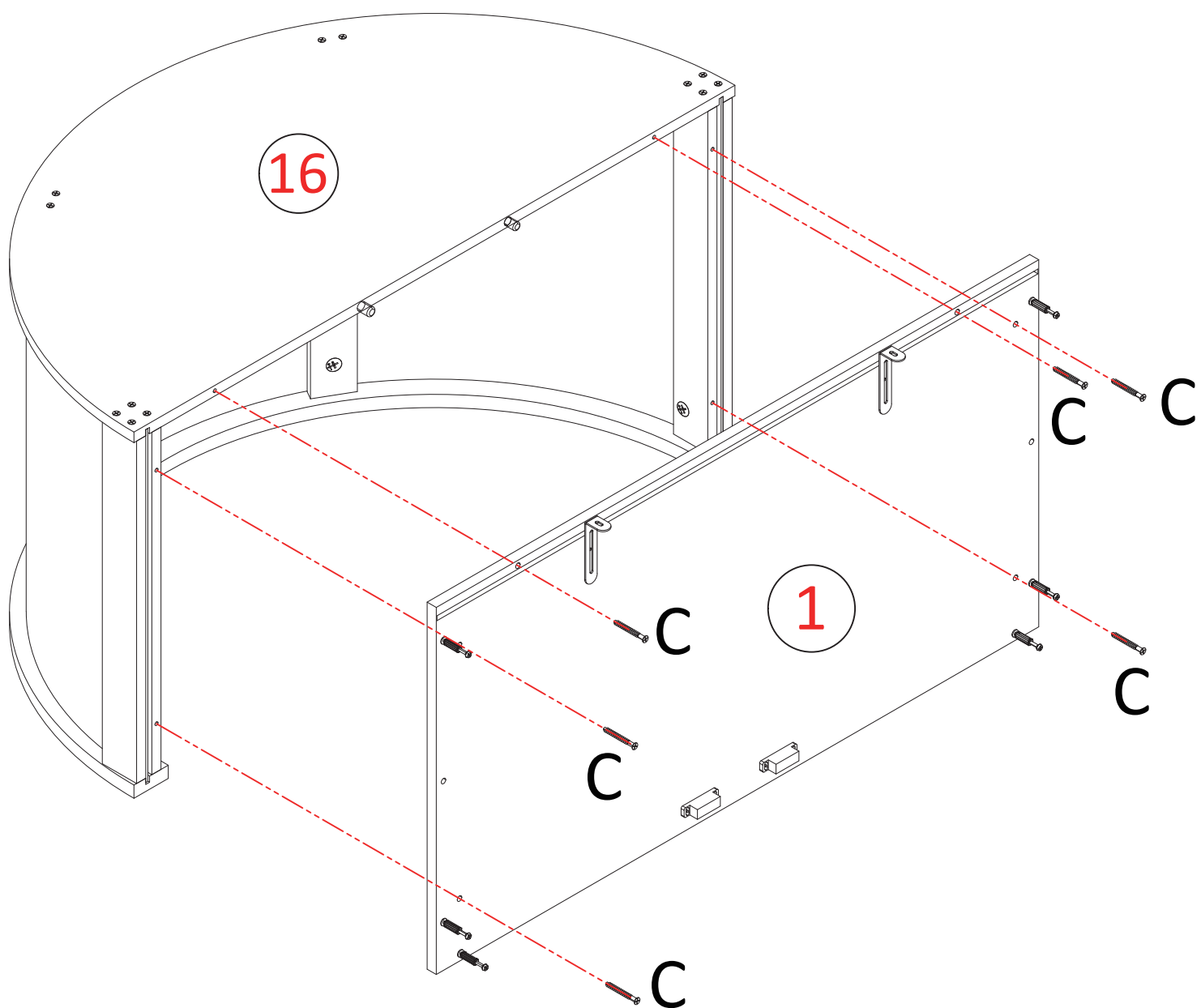
2 PCS

F M3x14

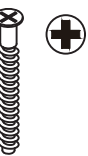


4 PCS

30



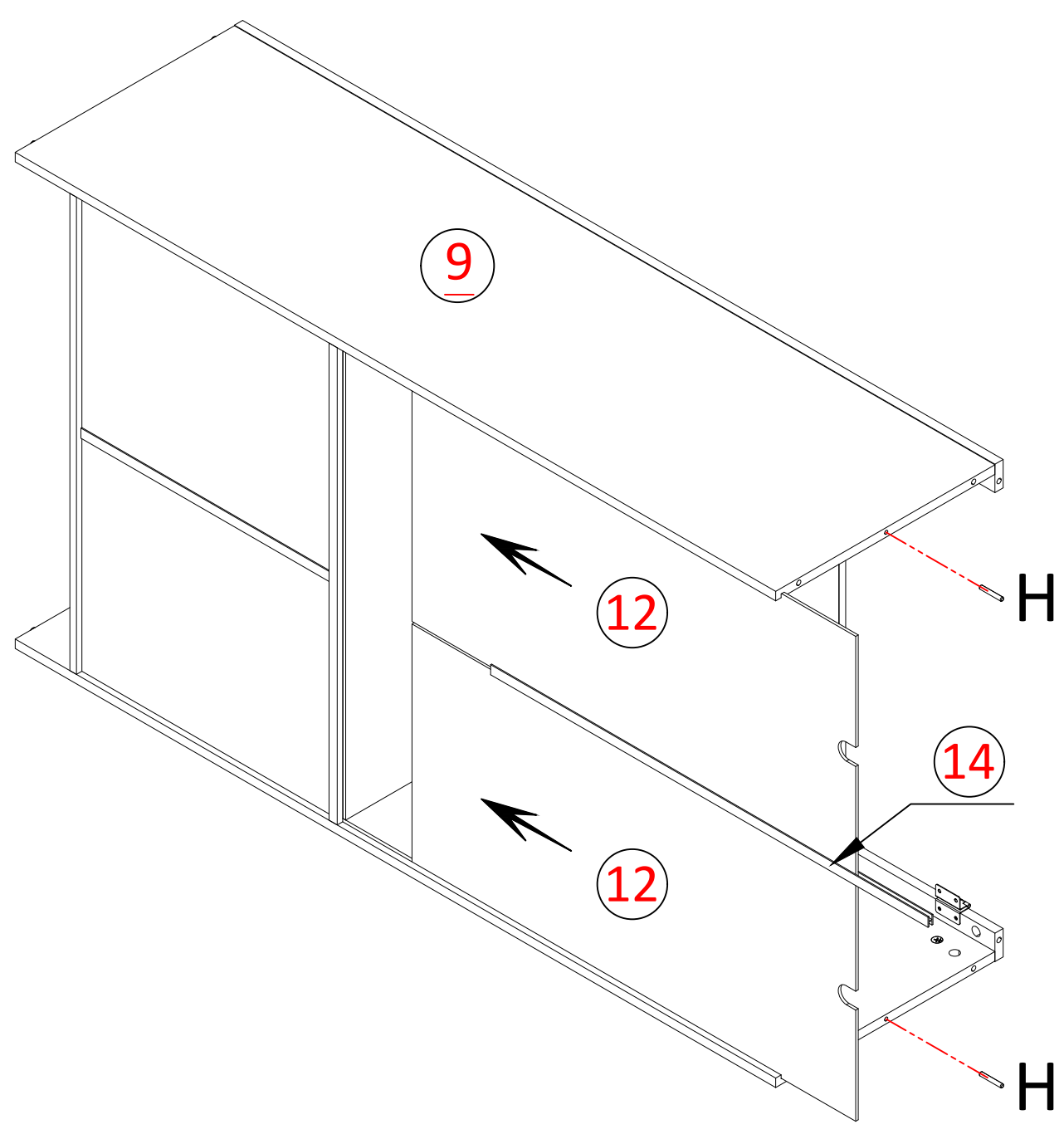
C M5x40



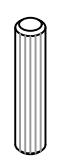
6 PCS

P21

31



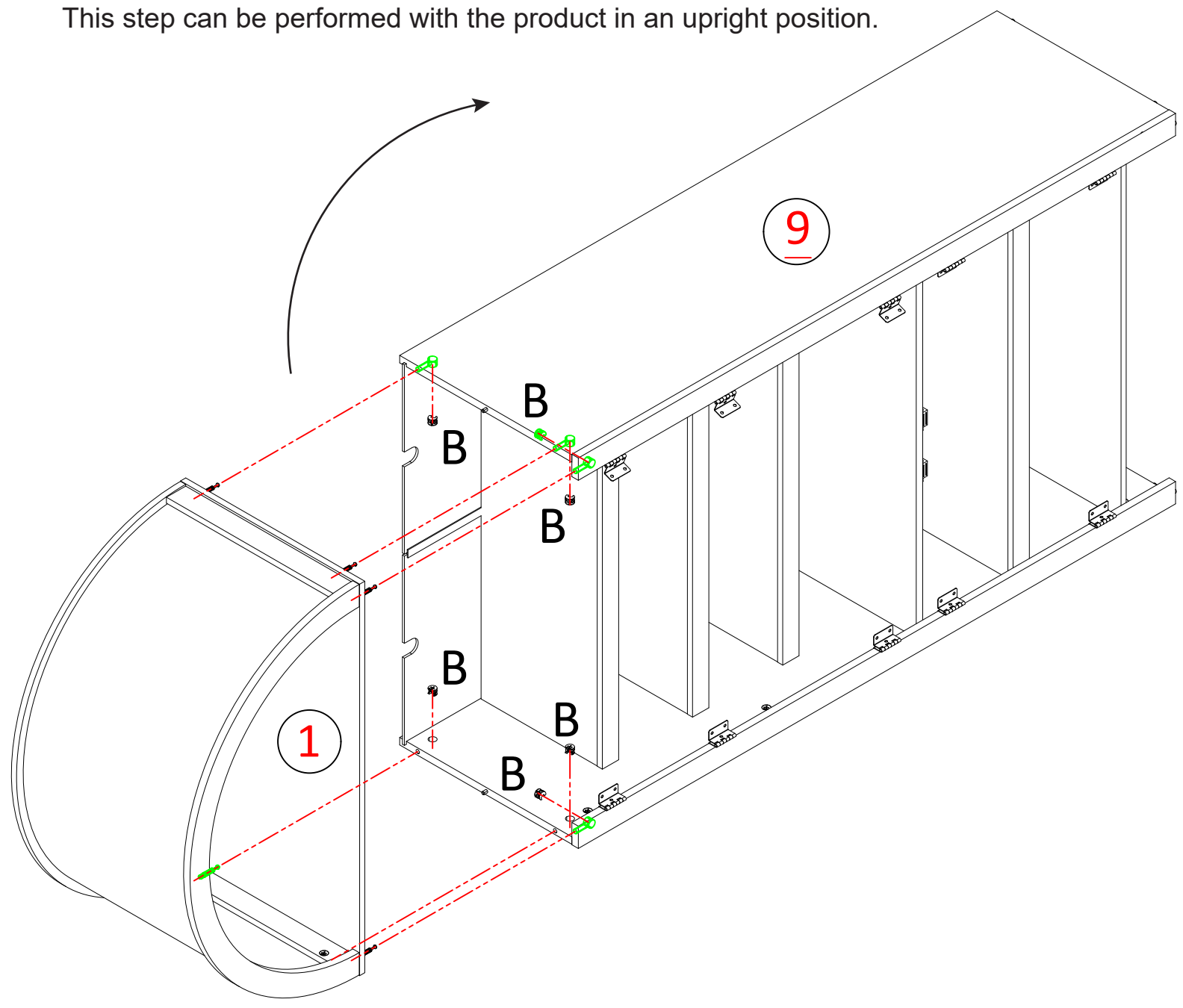
H Ø6x40




2 PCS

32

This step can be performed with the product in an upright position.



B Ø15x10



6 PCS

P22

33

G M3.5x14

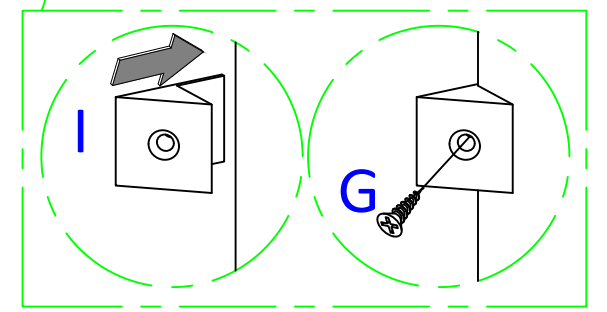
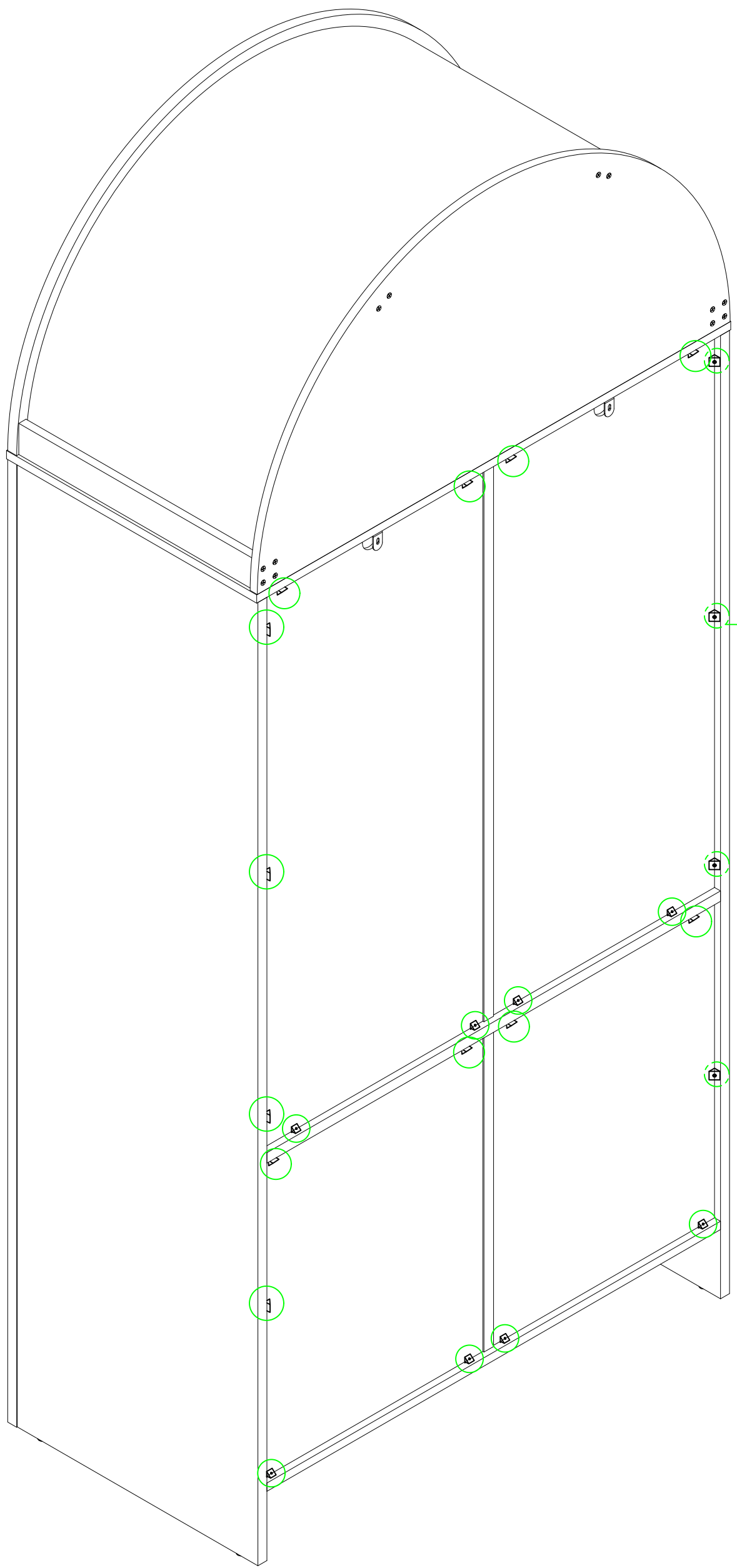


24 PCS

I



24 PCS

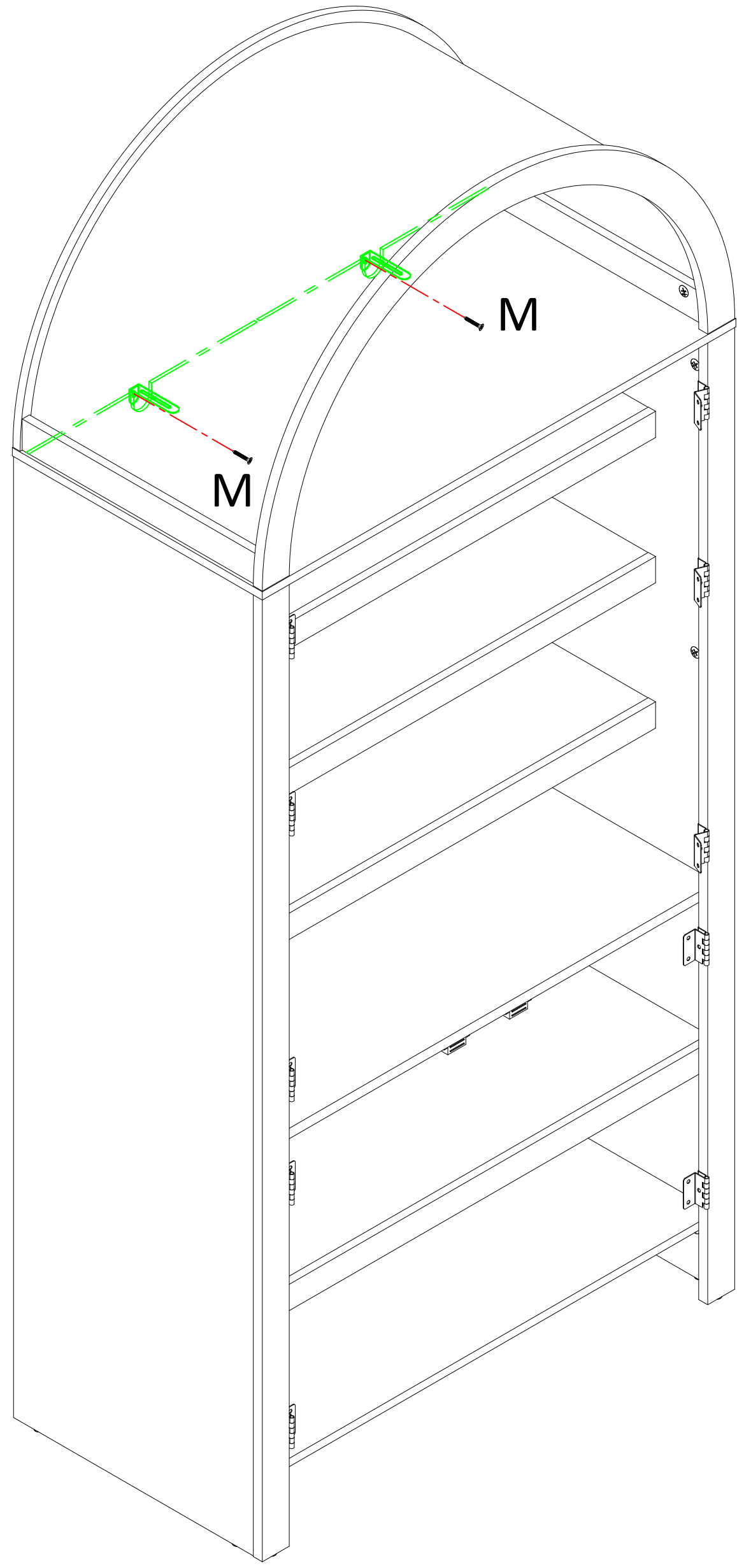
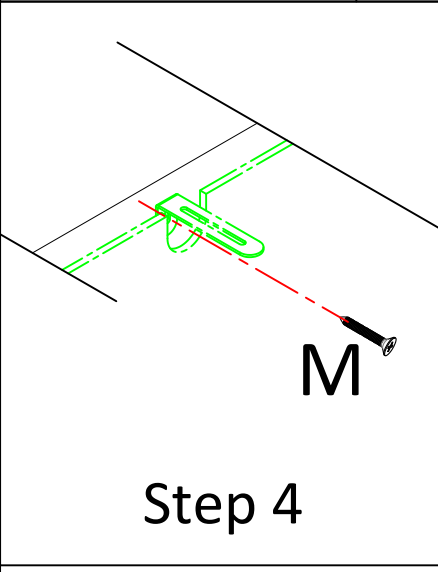
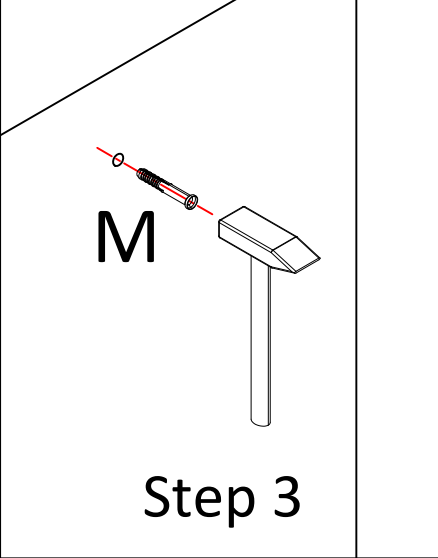
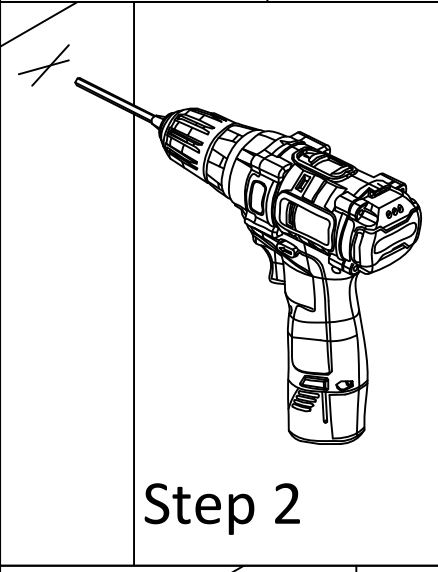
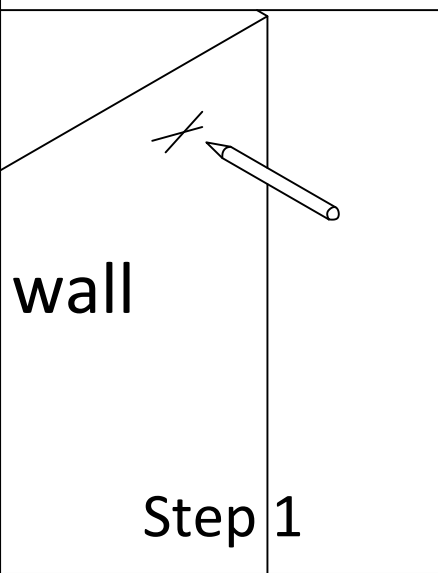


34

M M5 X 55
Ø8 X 60



2 PCS

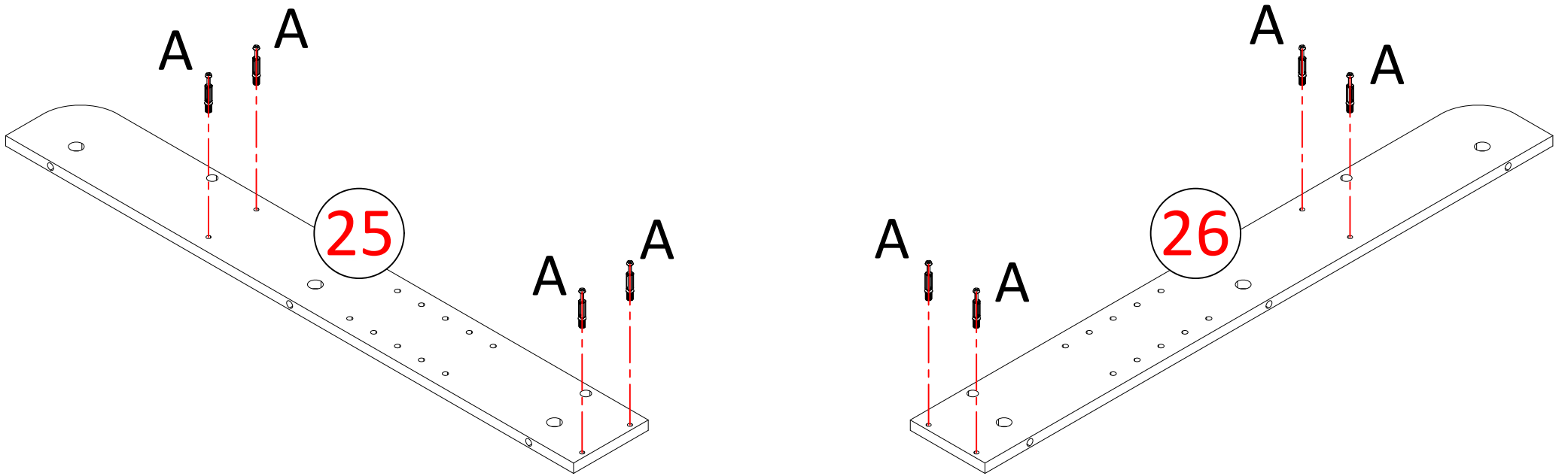


35

A M5x42



16 PCS



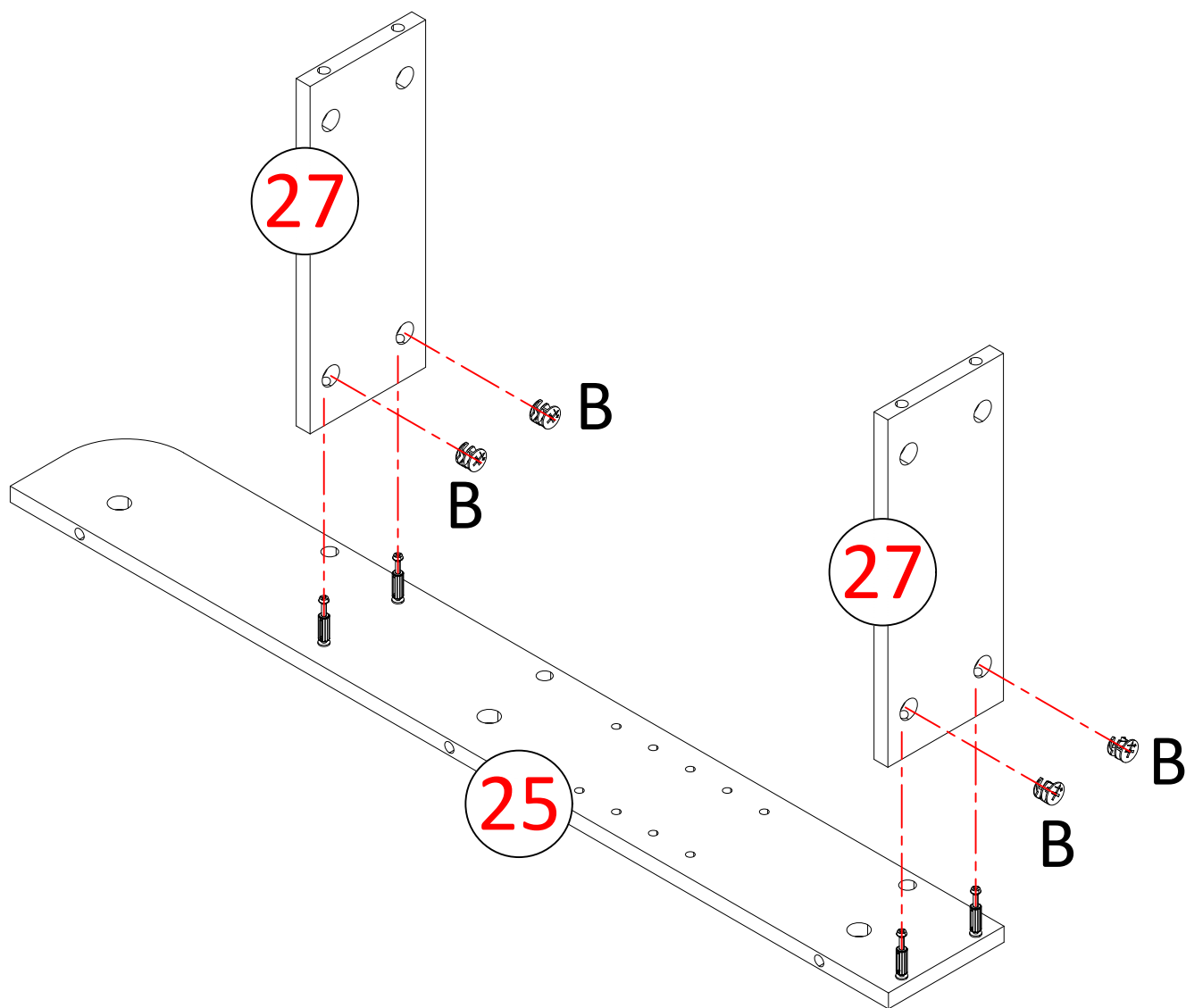
x2

36

B Ø15x10



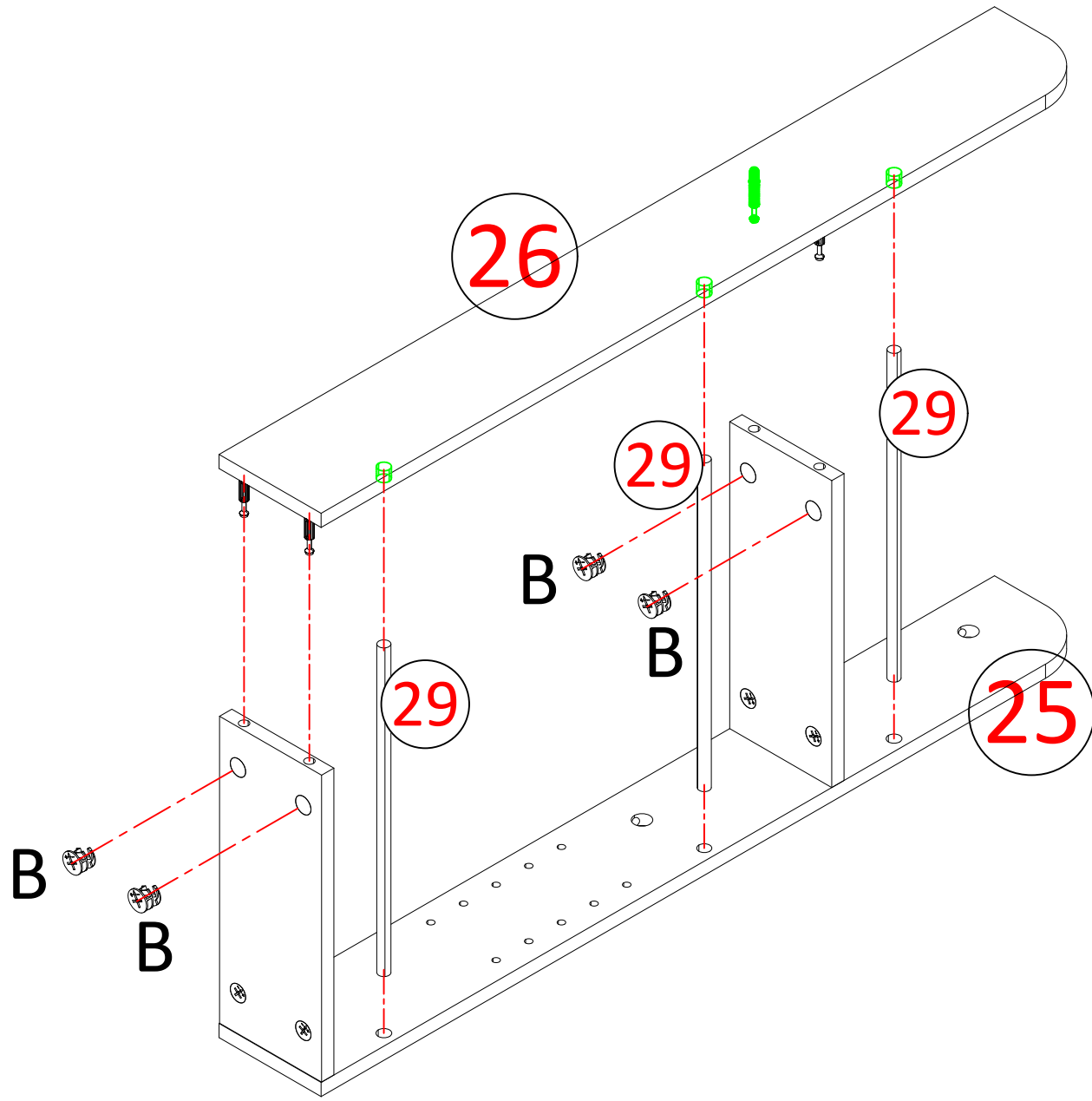
8 PCS



x2

P25

37



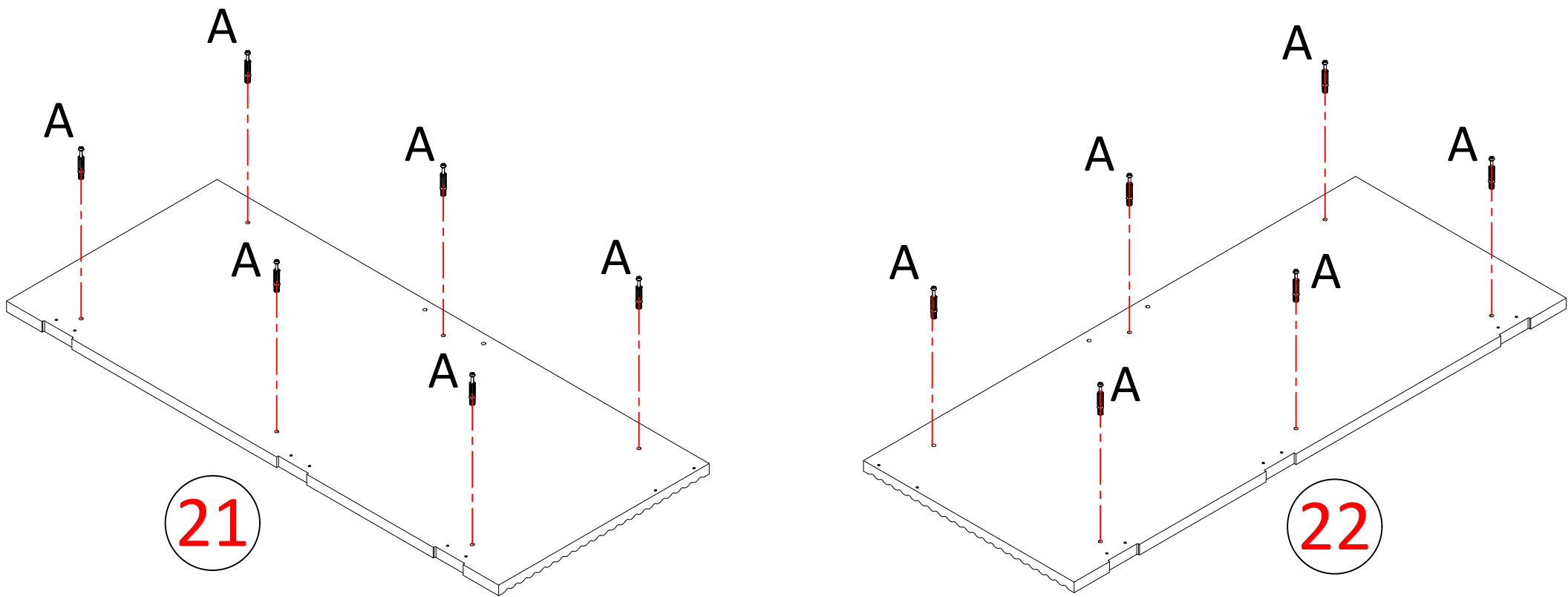
B Ø15x10



8 PCS

x2

38



A M5x42

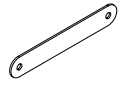


12 PCS

P26

39

J

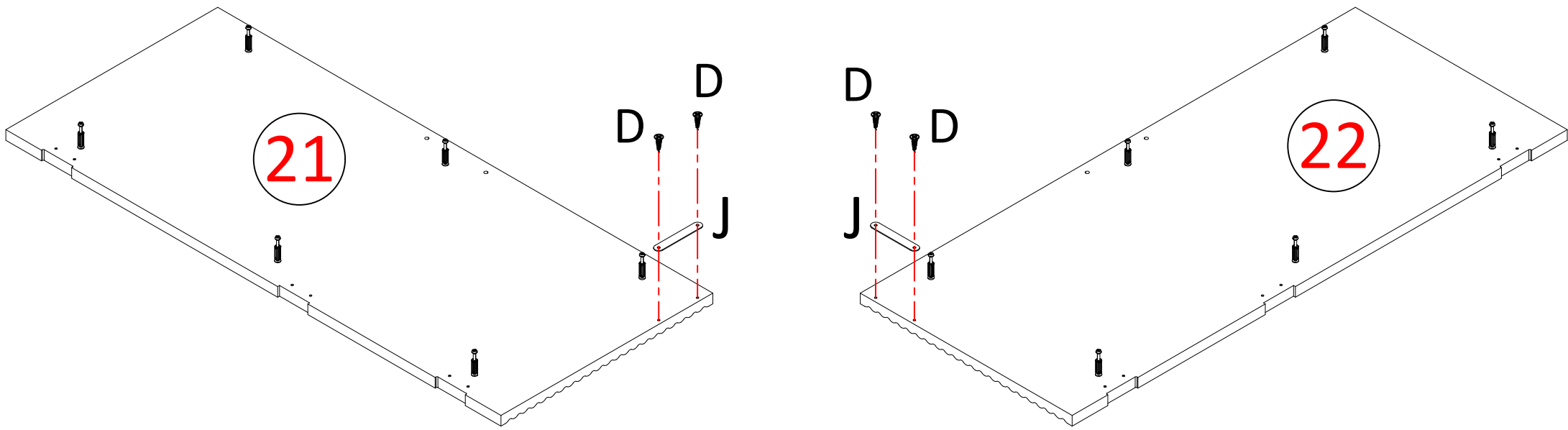


2 PCS

D M3.5x12



4 PCS

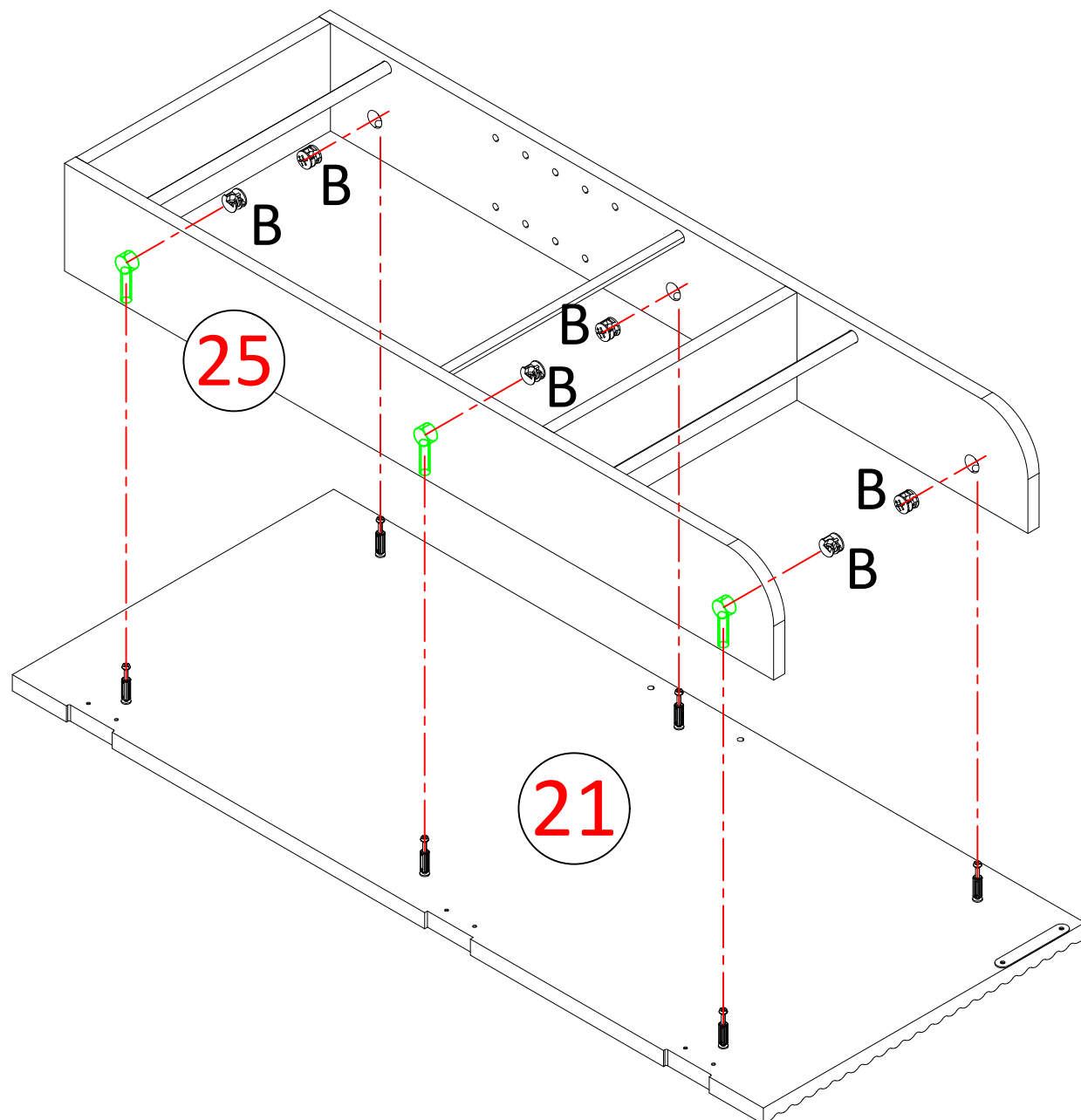


40

B Ø15x10



6 PCS



P27

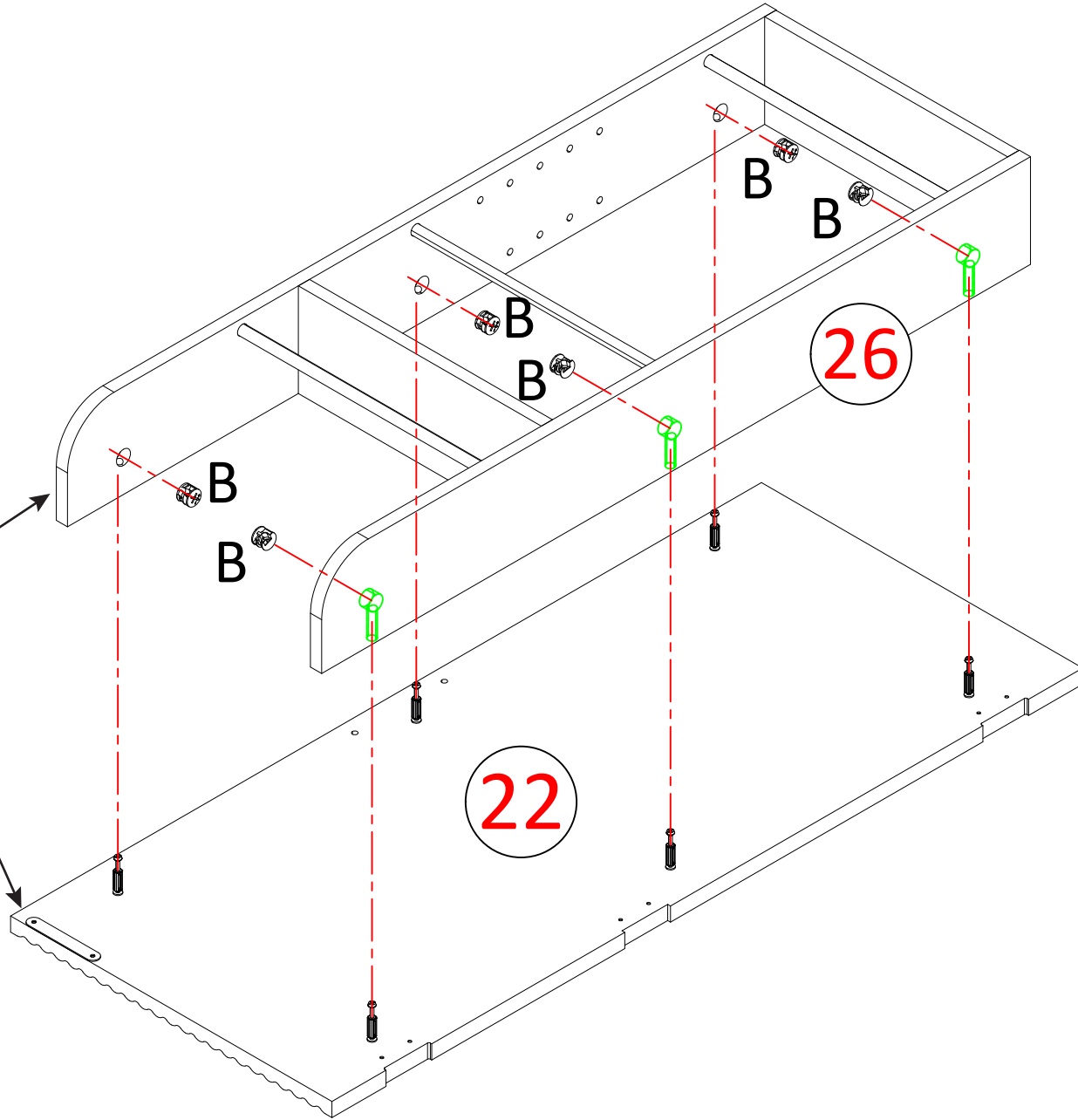
41

B Ø15x10



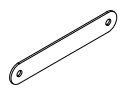
6 PCS

Keep them in same side.



42

J

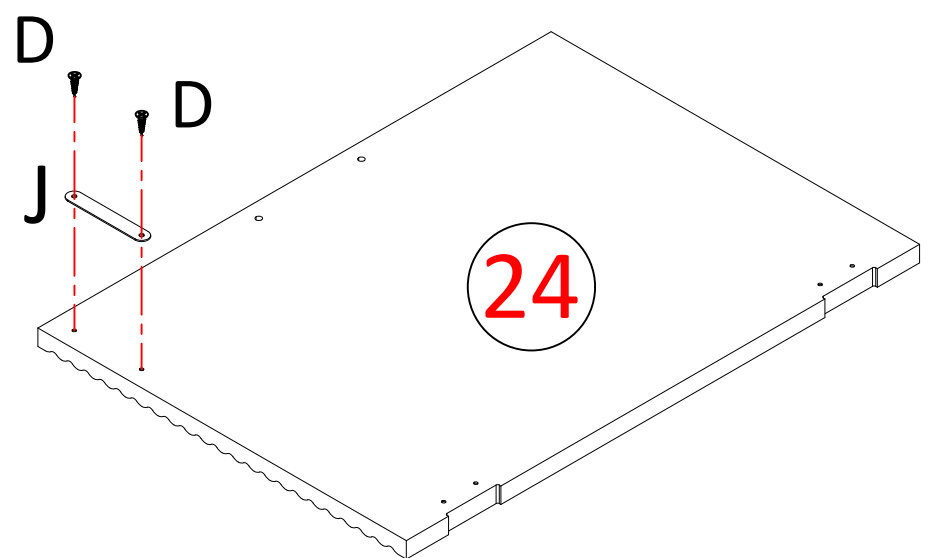
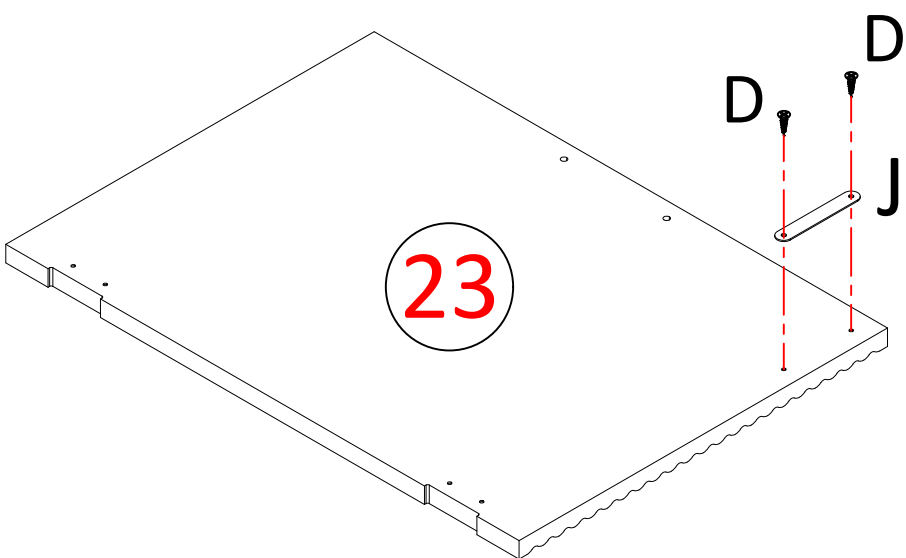


2 PCS

D M3.5x12



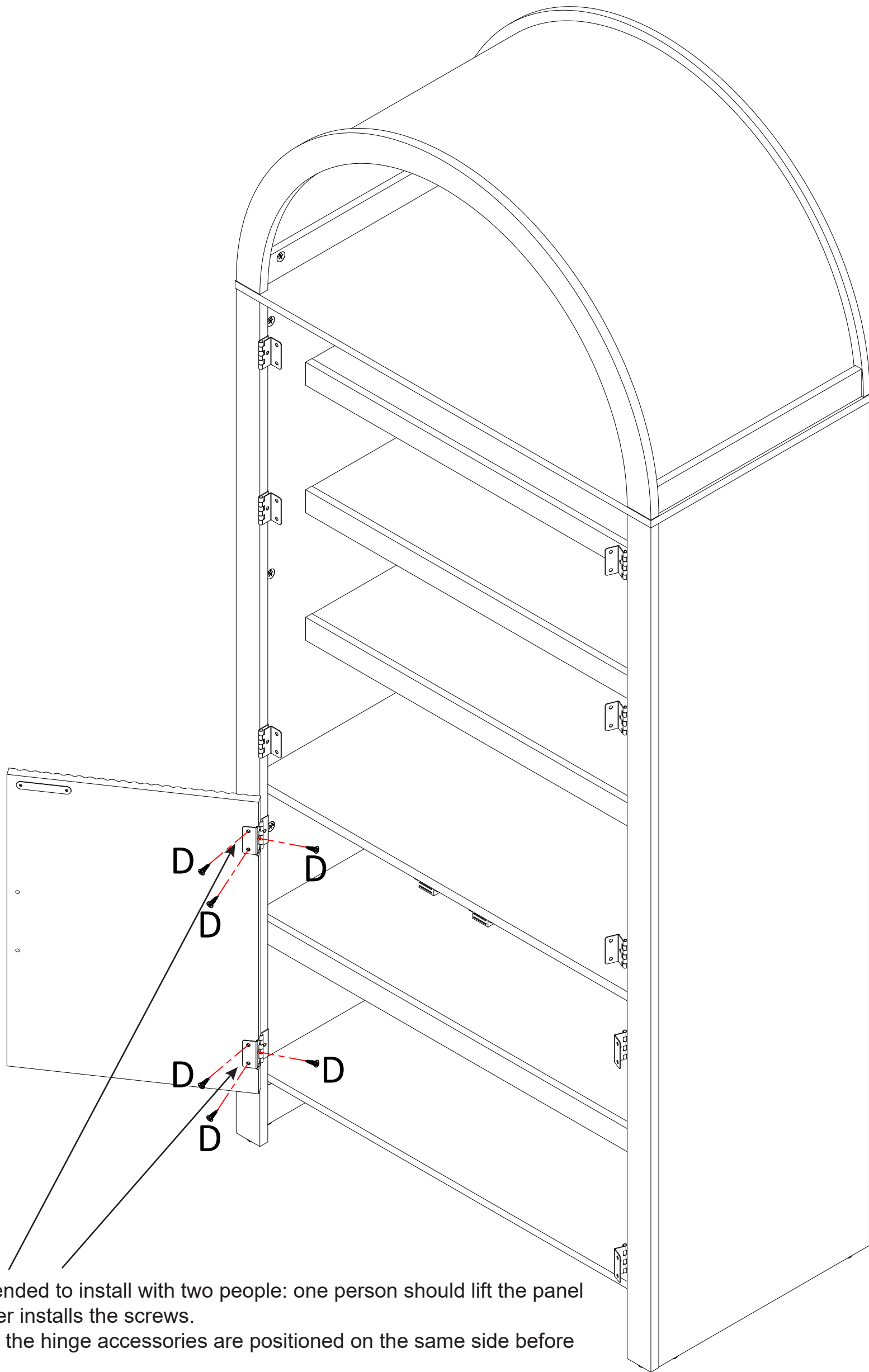
4 PCS



D M3.5x12



6 PCS



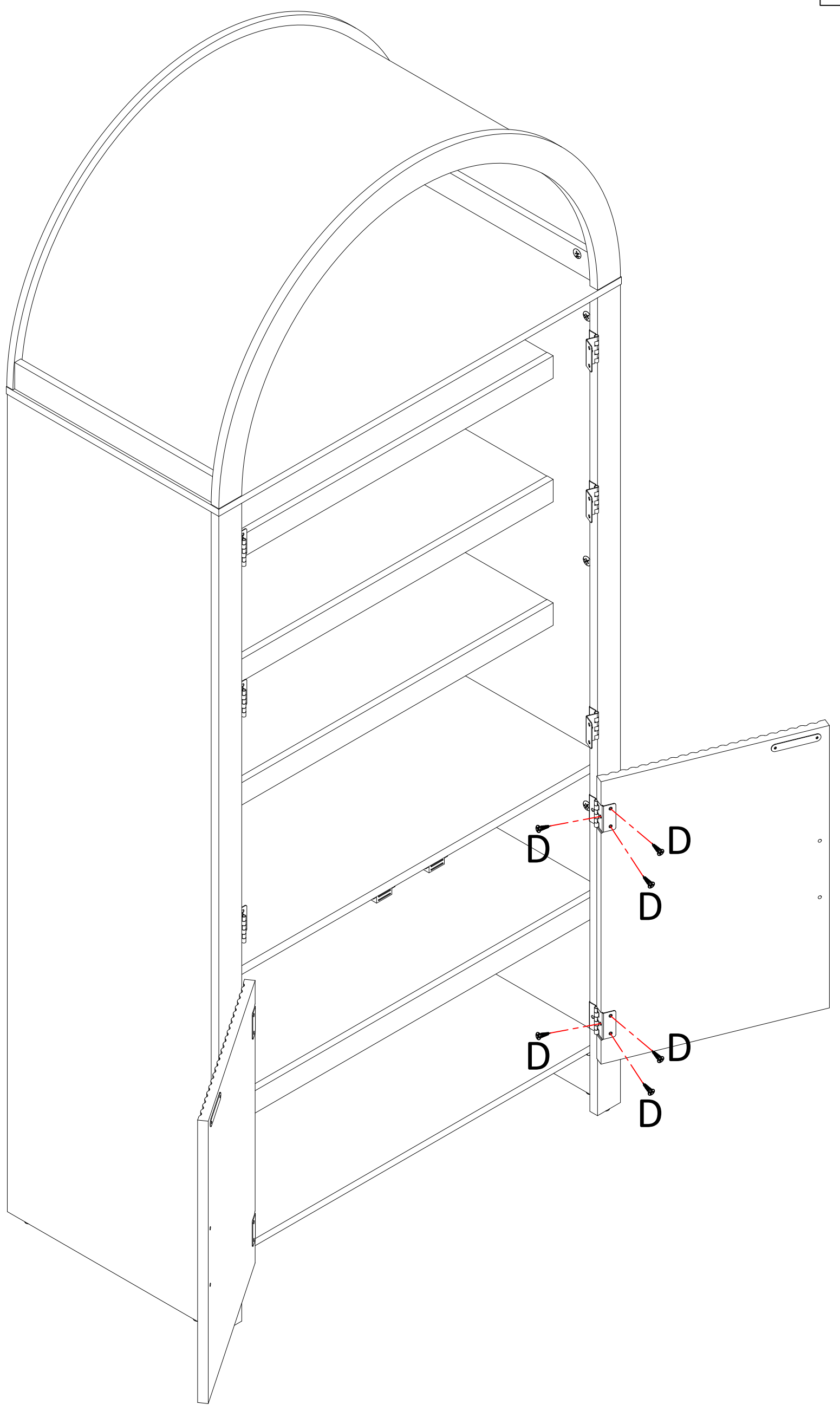
It is recommended to install with two people: one person should lift the panel while the other installs the screws.

Note: Ensure the hinge accessories are positioned on the same side before installation.

D M3.5x12



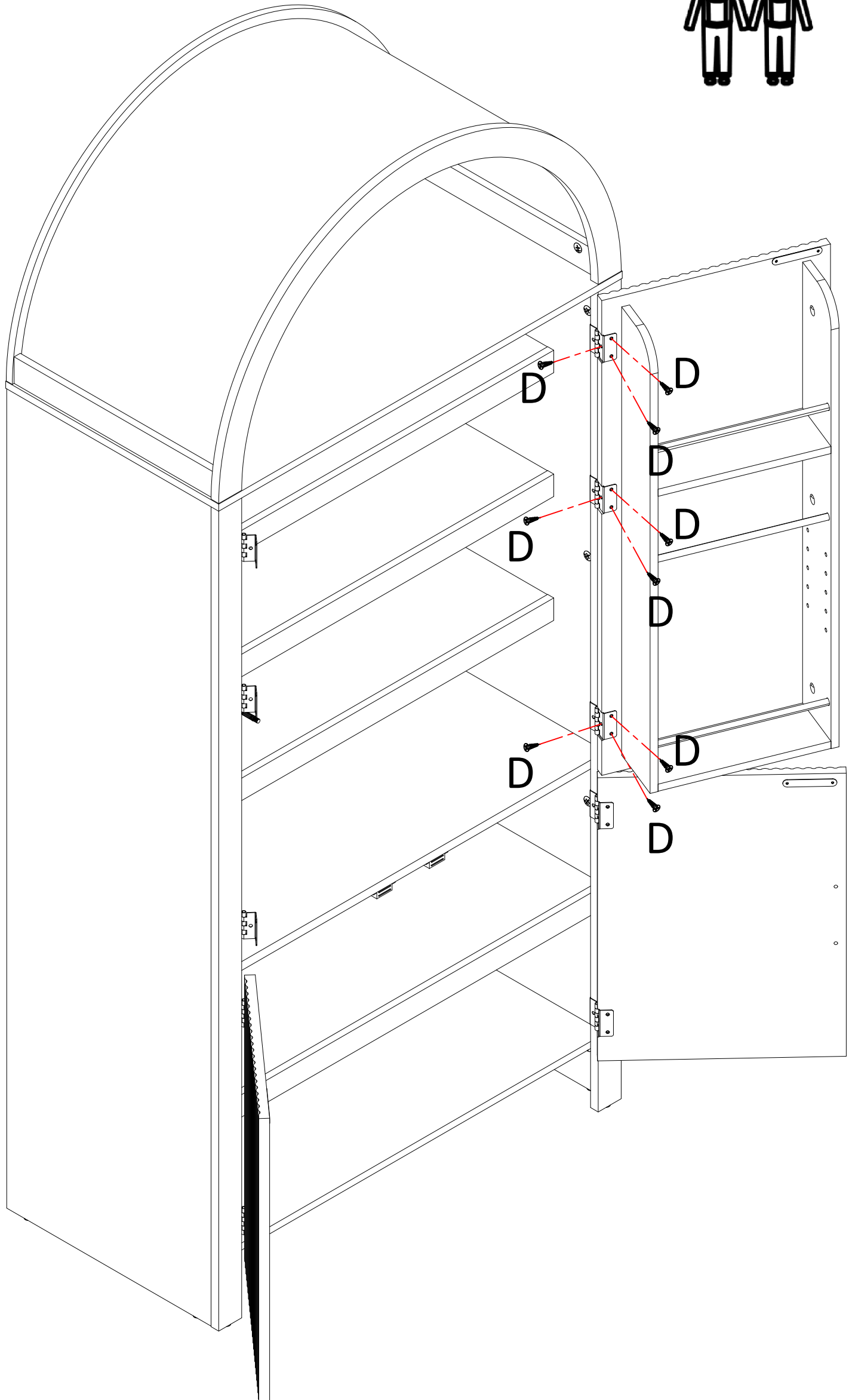
6 PCS



D M3.5x12



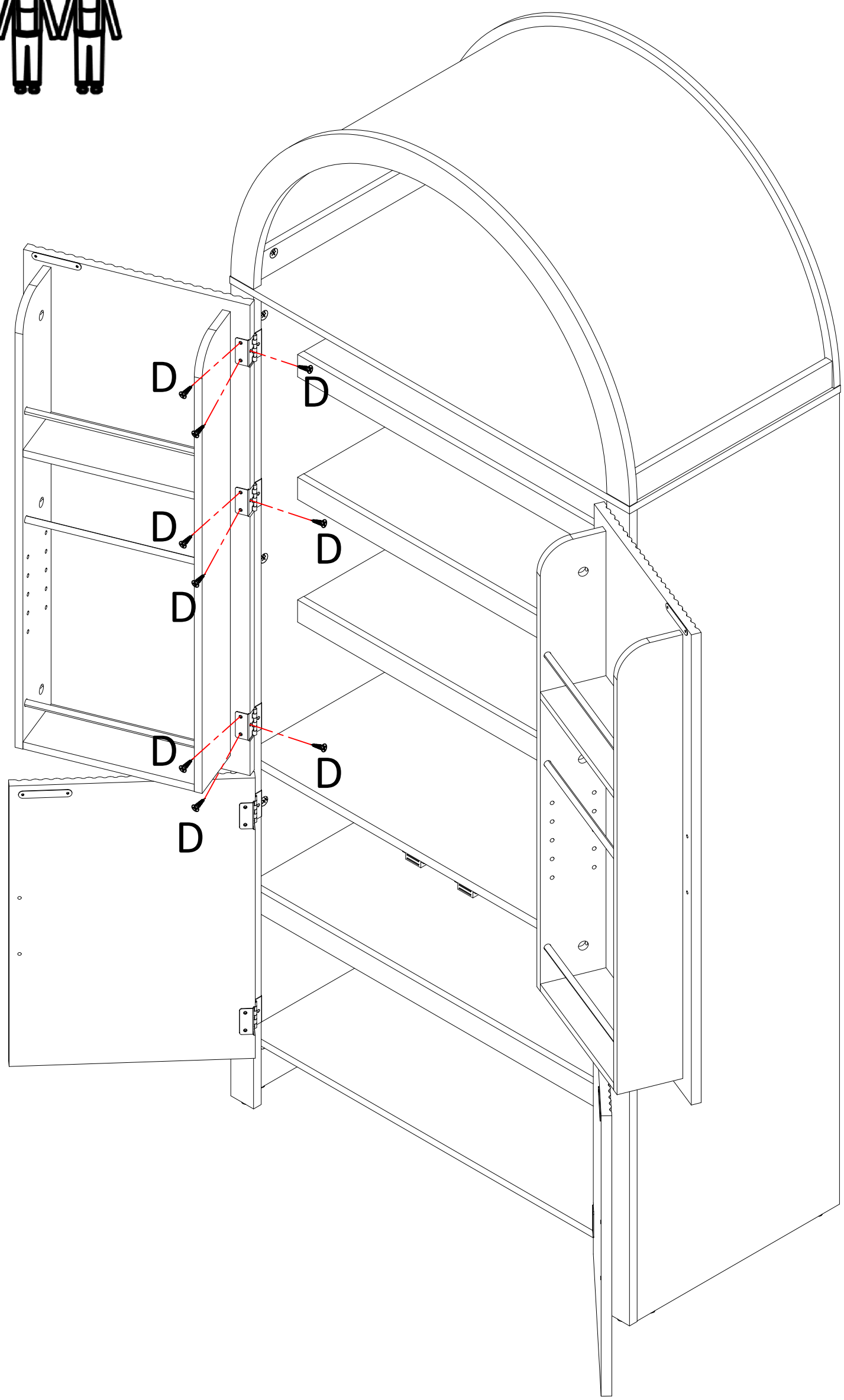
9 PCS



D M3.5x12



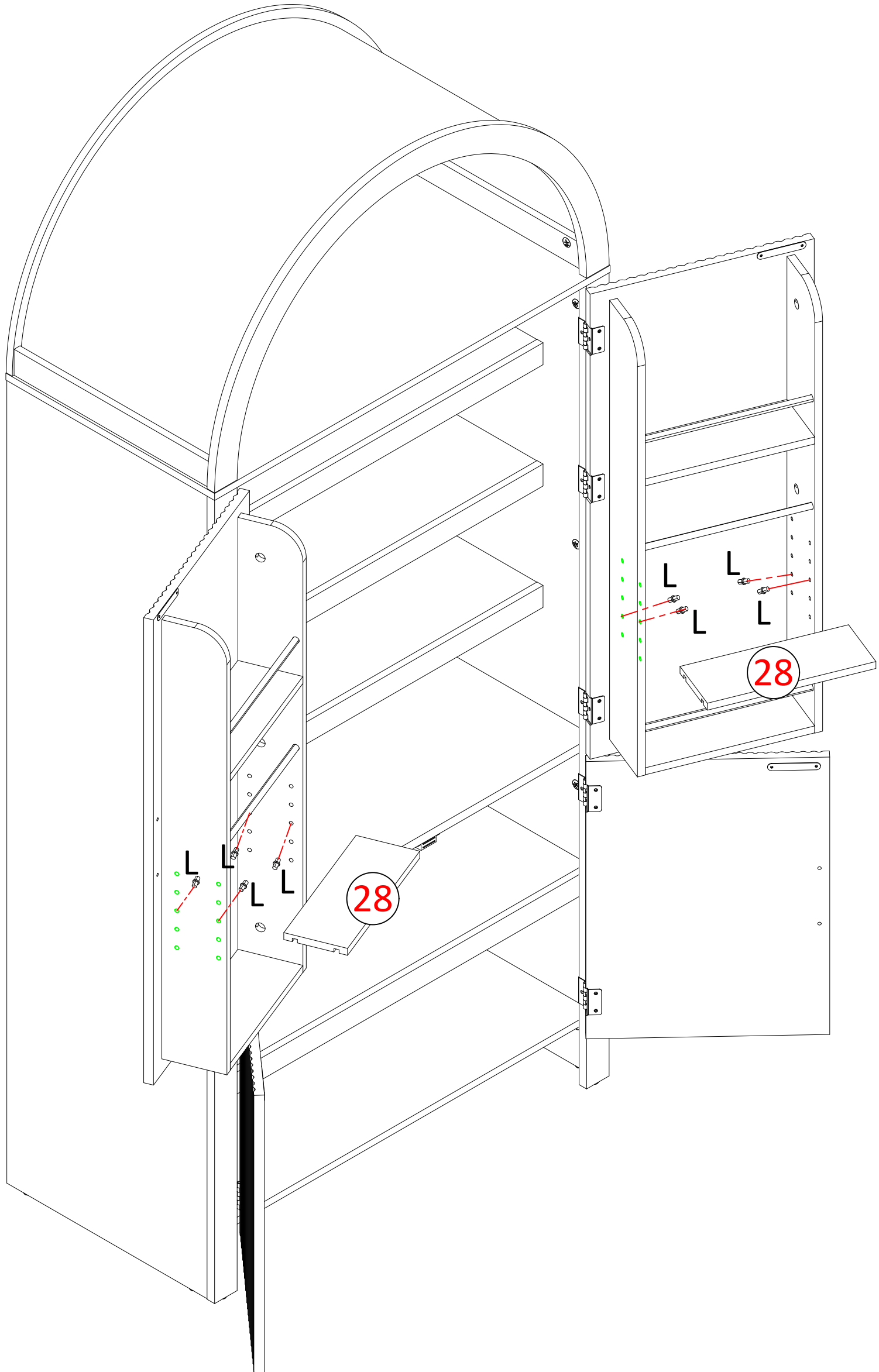
9 PCS



L


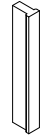
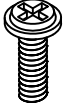


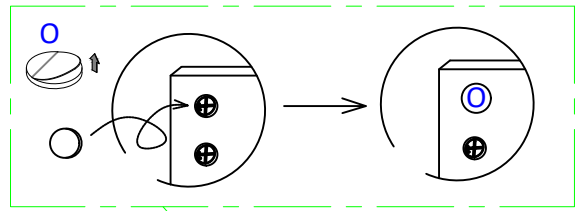
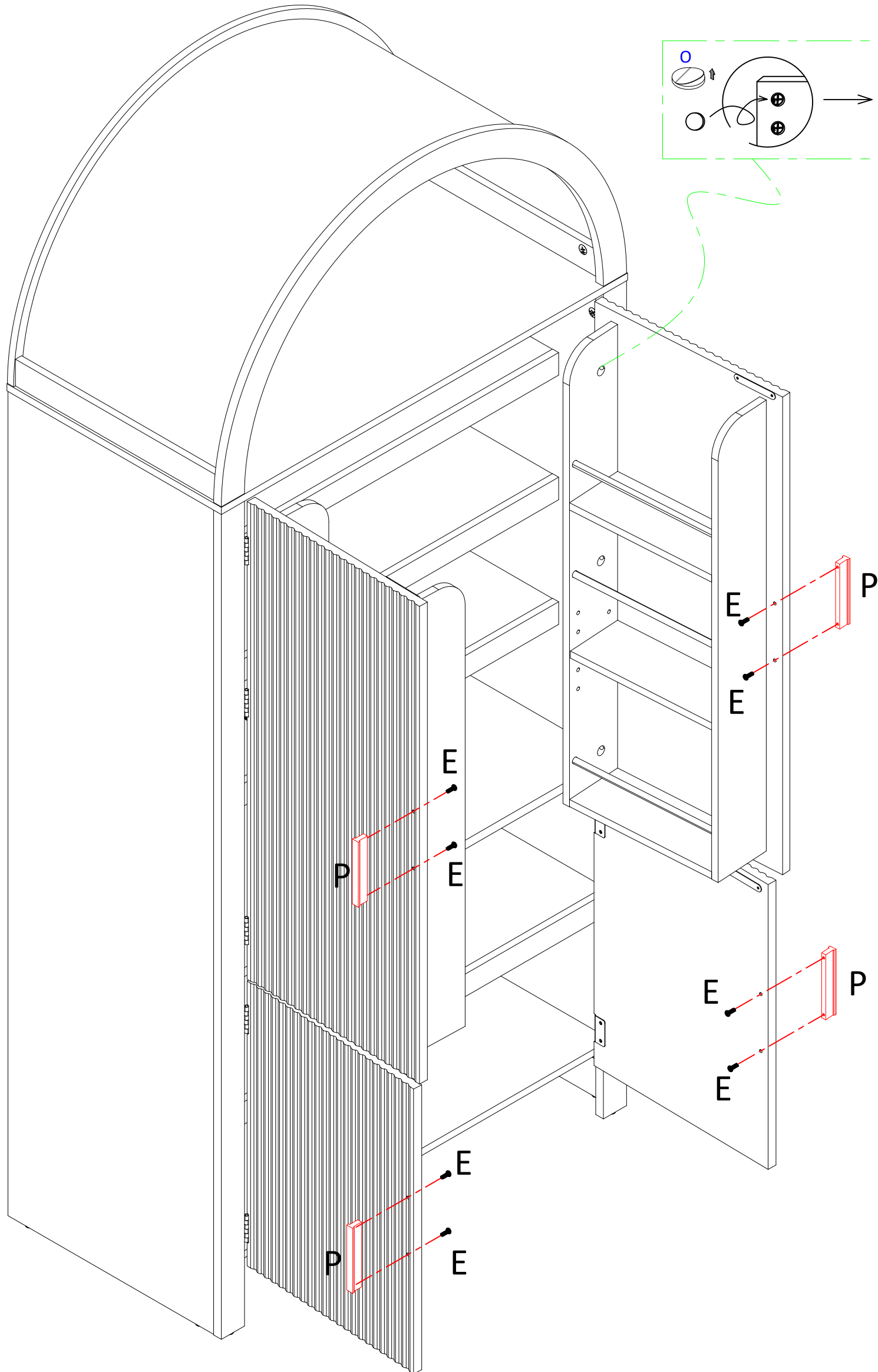
8 PCS



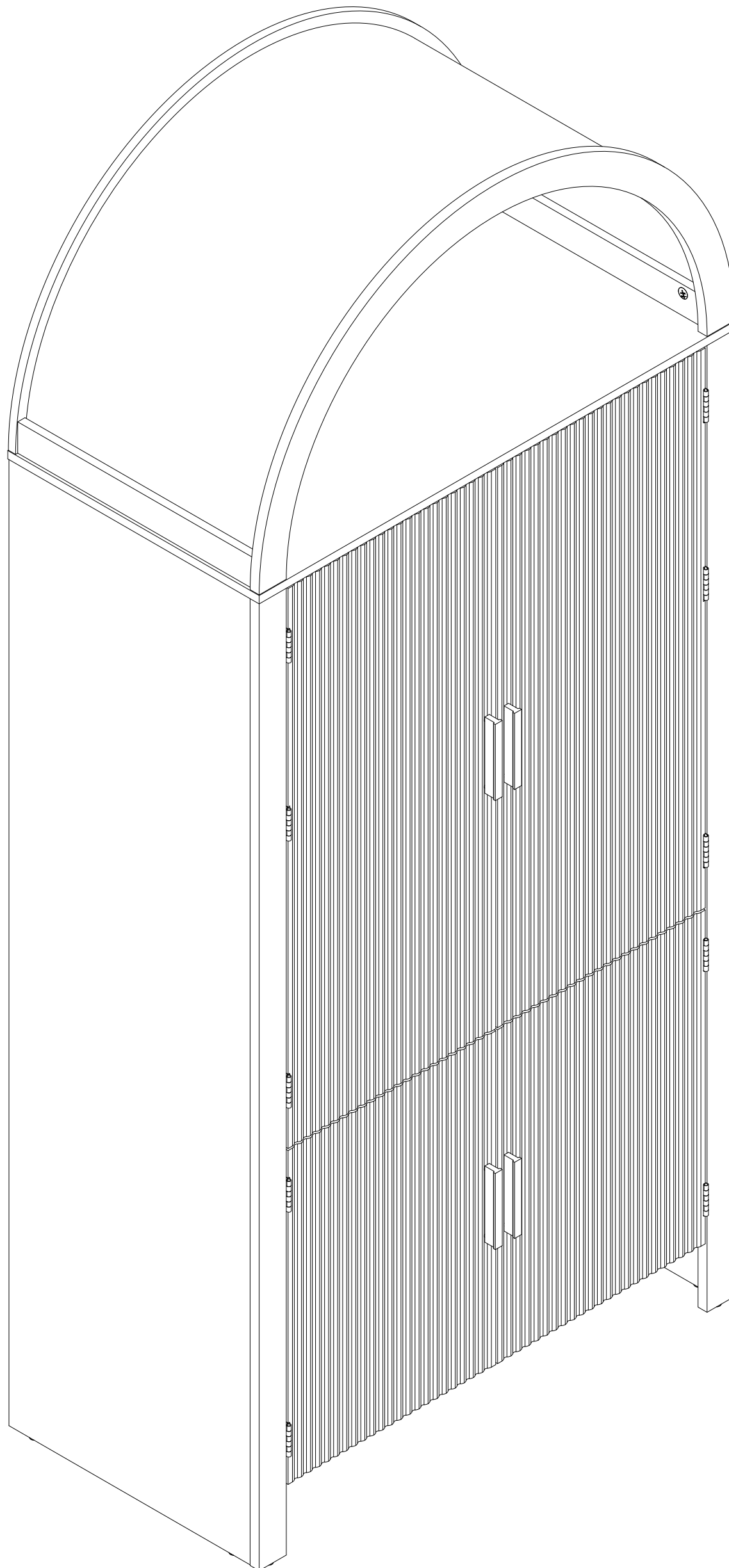
P33

48

O Ø22x1	P 9111-96	E M4x18mm
		
30 PCS	4 PCS	8 PCS



Accessory O is a decorative sticker that can cover the screw holes to ensure a neat appearance.



HELP CENTER

WE STAND BEHIND THE QUALITY OF OUR PRODUCT

1. If you have any other issues with your item(s), please feel free to contact us! We will always do our best to come up with a solution that you will be happy with.
2. Please get in touch with our customer service team before returning the item(s).
3. Please do not throw away the original box(es) if you have not finished assembling and confirmed no quality issues.

RETURN POLICY

Length of return period:

You can return the item(s) within 30 days of purchase.

In the meanwhile, everything you purchased from us comes with a one-year warranty.

Who is responsible for the return shipping fee:

We will cover the return shipping fees if:

1. Your item has a manufacturing defect in materials or workmanship. For example, material cracking or screw hole misalignment. We will send you a prepaid shipping label after you send us photos or videos of the defects.
2. Your item has been damaged in transit. For example, metal part is broken or product is damaged. We will send you a prepaid shipping label after you send us photos of the damage.
3. You receive the wrong box(es) due to a warehouse error, We will send you a prepaid shipping label after you send us photos of the item(s), shipping label(s) and words(SKU) on the outer box(es).

* However, we still hope to work with you for a better solution instead of a return. Please don't hesitate to contact our customer service team.

Customer will cover the return shipping fees if:

1. You don't like the item(s) after receiving the box(es).
2. You no longer need the item(s) but have received the box(es).
3. You buy the item(s) by mistake but have received the box(es).
4. Order/shipment cancellation failed, and you have received the box(es).

Return Request

In order to get a full refund as described in this return policy, all items must be:



1. In a brand new/unused condition. Please provide photos before and after packaging.
2. All accessories and parts must be firmly packed in all original packaging before returning. If your return does not meet these requirements, you may not receive a full refund.



When can I receive a refund?

After you return it using the prepaid shipping label we provided and inform us, the refund will be issued once the package(s) have been returned to our warehouse.

We want you to be a happy customer. Please reach out to us via email or text, and we will work on a solution to ensure your satisfaction.

Question about your product? Please do not hesitate to email or text us. We will reply to you within 24-48 hours.

 +1(503) 928-7812
 hellovitesse@gmail.com

 Instagram: vitessegaming
 YouTube : vitessegaming

SAVE THESE INSTRUCTIONS