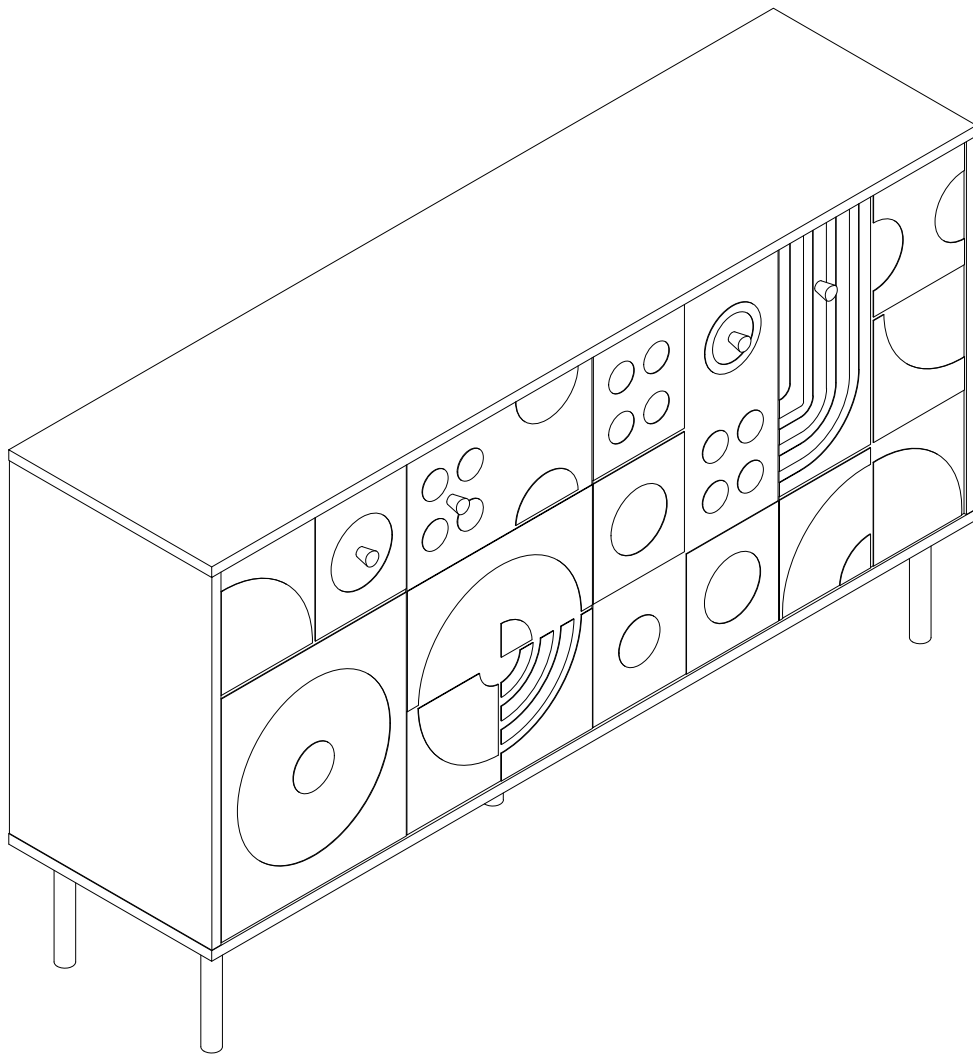
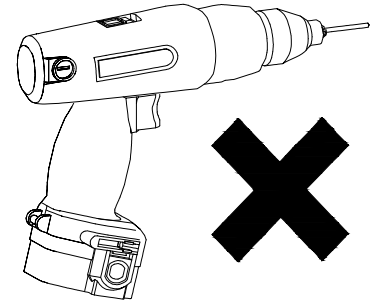
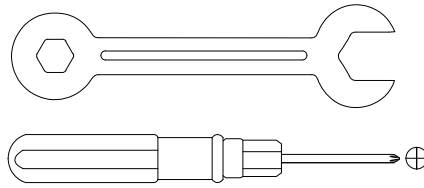
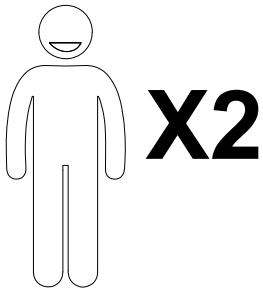
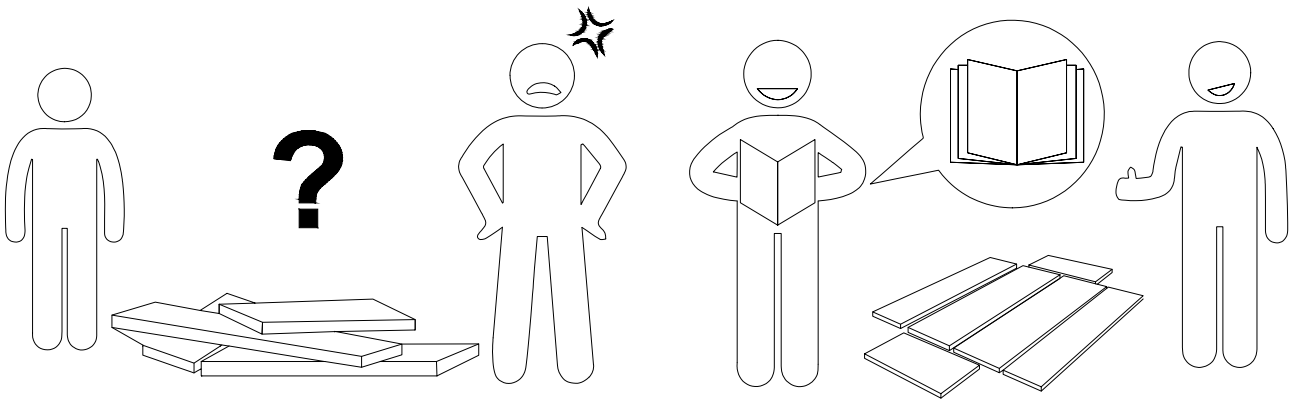

Modern Coffee Table





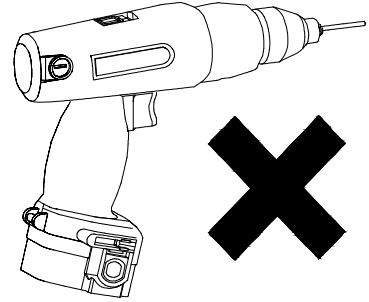
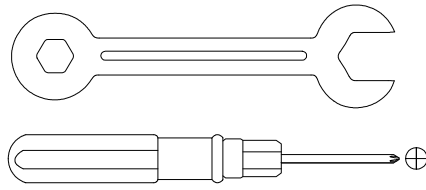
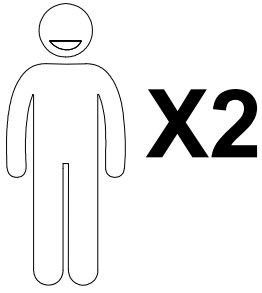
We recommend using hand tools for assembly.

If an electric screwdriver is used, reduce power and torque to avoid damage to the product.



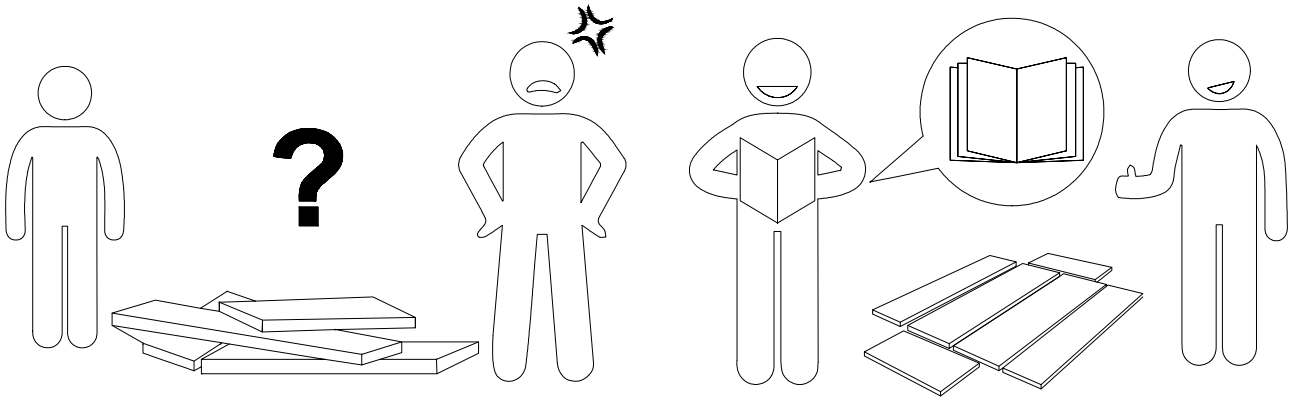
Warm Tips

1. Carefully read these instructions and keep them for future reference.
2. Check the parts list and confirm everything's there before starting assembly.
3. When assembling, put all parts on a soft, smooth surface like a carpet to avoid scratches.
4. Don't fully tighten screws until all parts are confirmed in place to avoid misalignment.



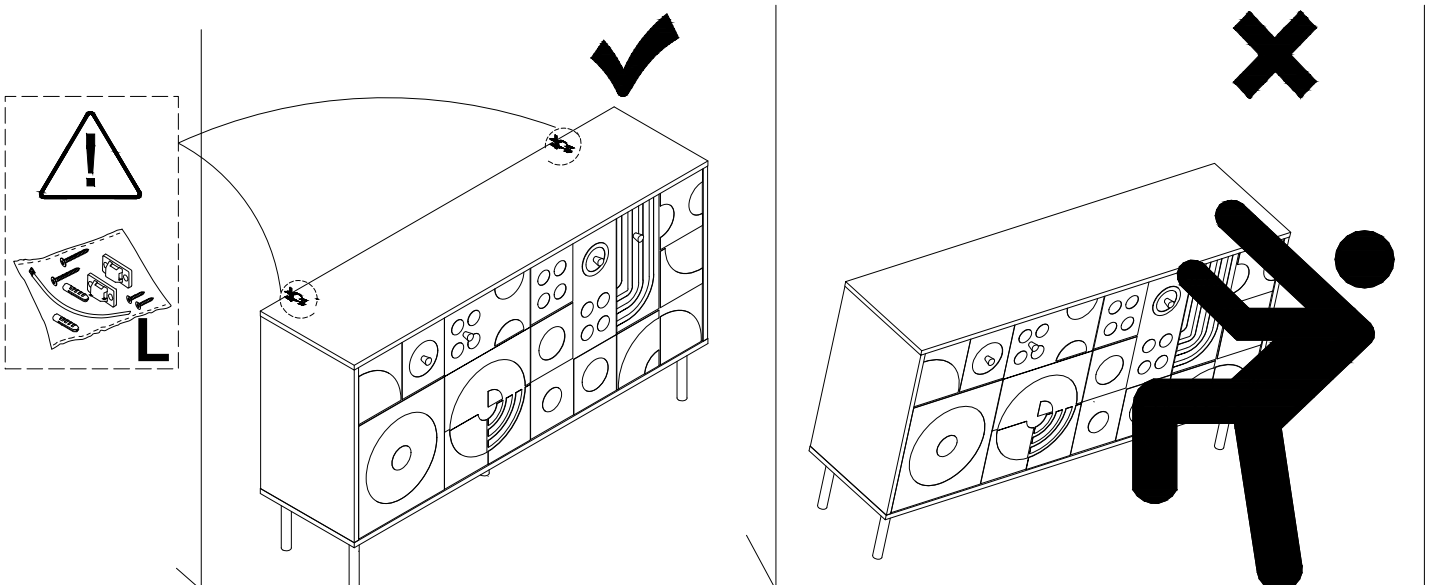
We recommend using hand tools for assembly.

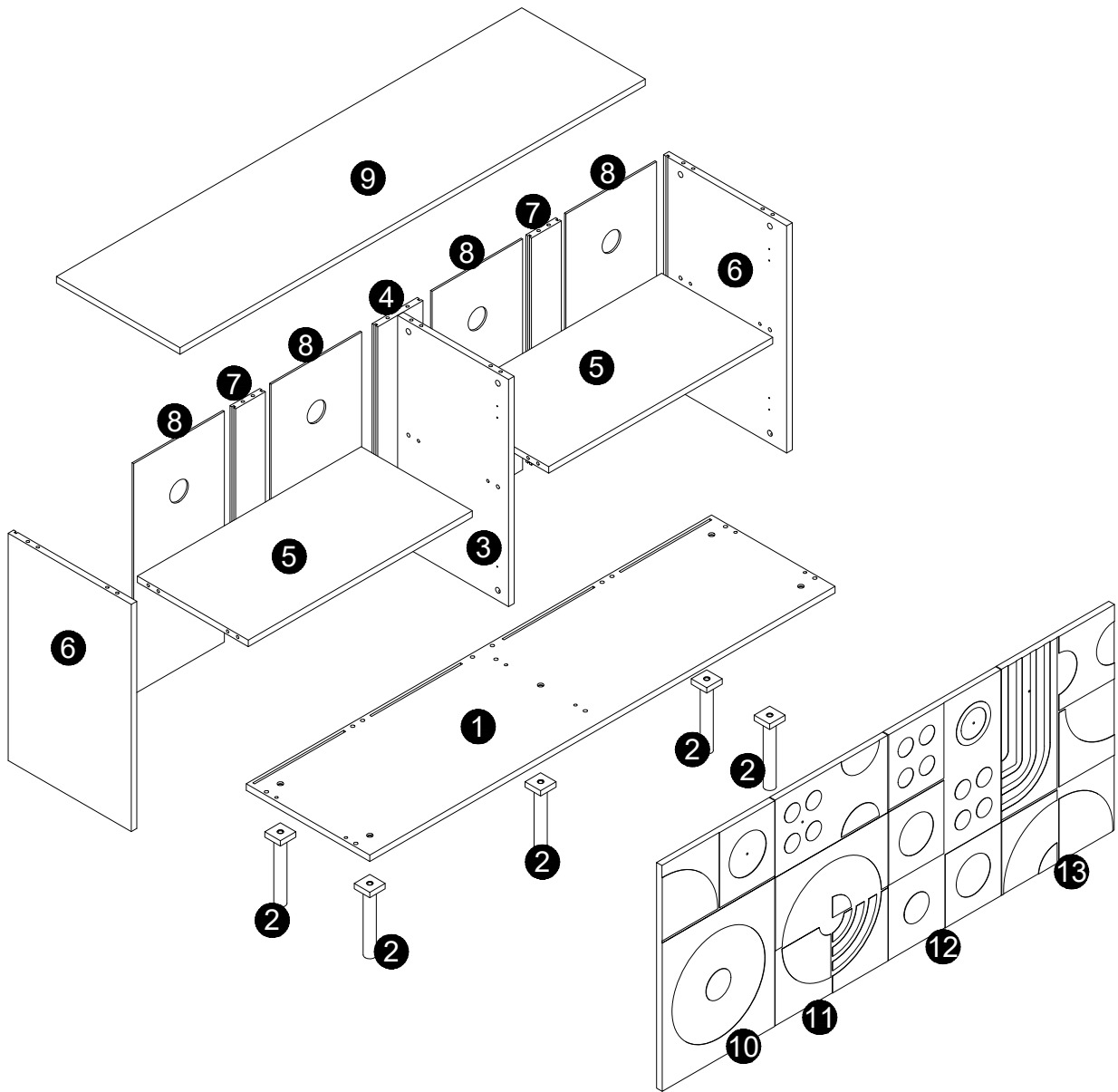
If an electric screwdriver is used, reduce power and torque to avoid damage to the product.



Install the Anti-Tip Straps

Using the anti-tip straps can reduce the risk of tipping over, but can not eliminate it.

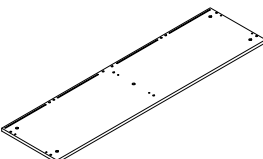
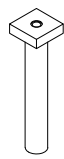
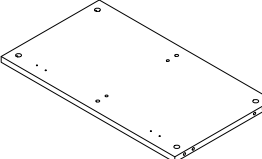
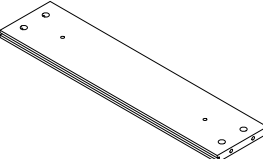
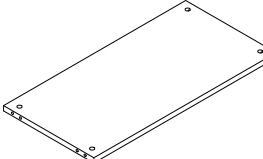


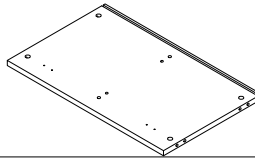
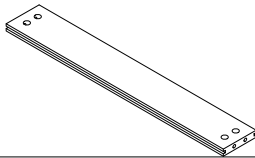
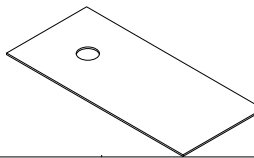
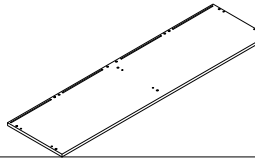
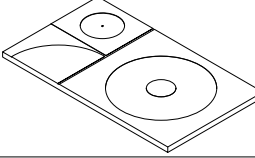


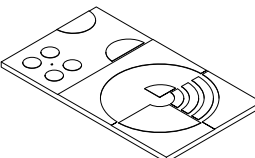
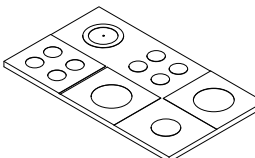
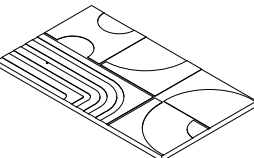
⚠ Caution

Make sure all parts are included. Most board parts are labeled or stamped on the raw edge. Contact us for a free replacement if you encounter any damaged or missing parts.



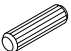
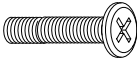

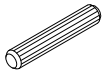
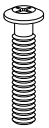

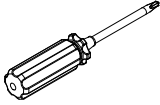
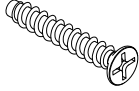
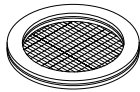
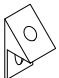
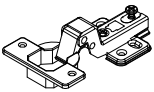
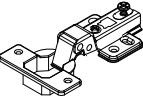
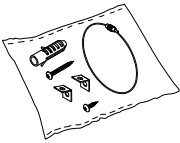
Parts List

				
1 pc	4 pcs	1 pc	1 pc	2 pcs

				
2 pcs	2 pcs	4 pcs	1 pc	1 pc

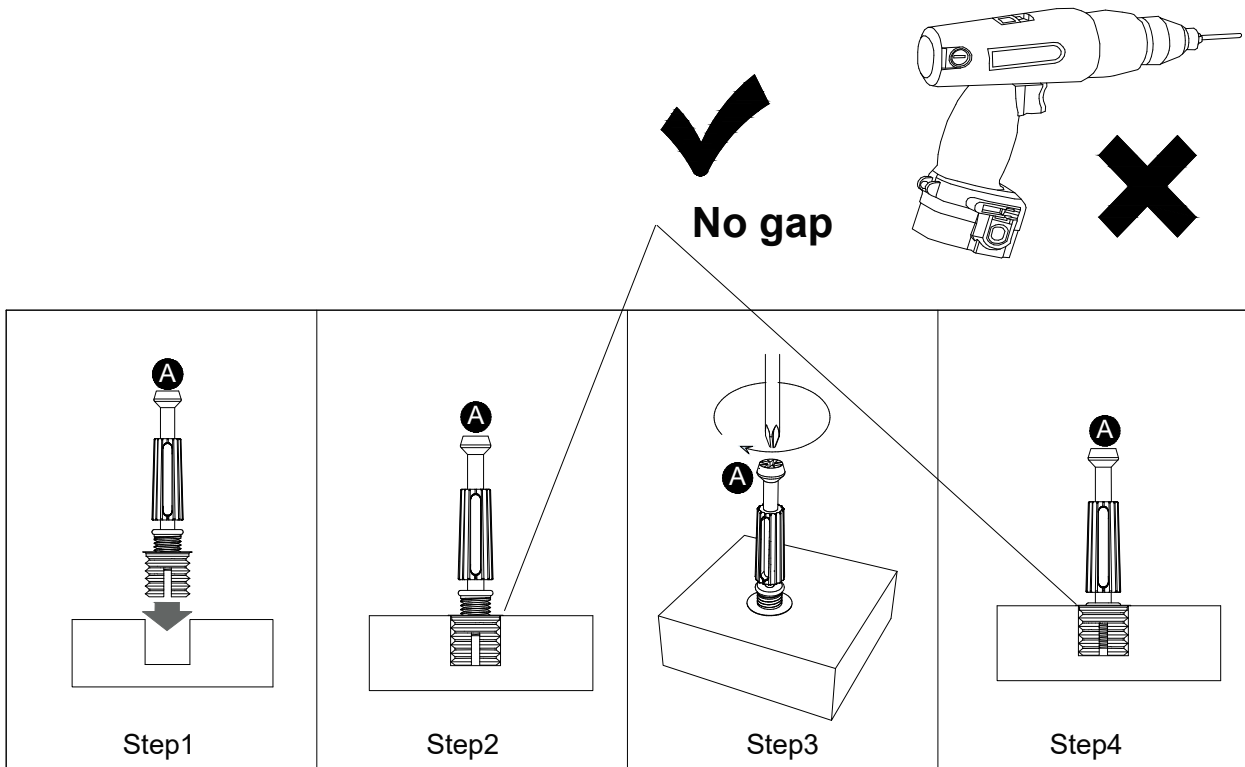
				
1 pc	1 pc	1 pc		

Hardware List

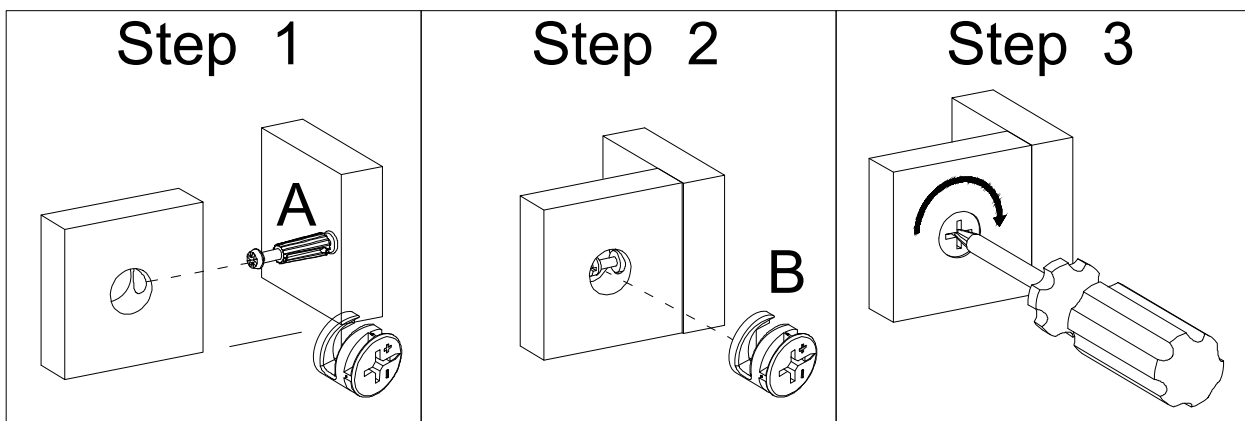
A	B	C	D	E	F
 M6x35mm	 Ø15x12mm	 Ø8x30mm	 Ø8x35mm	 M3. 5x14mm	 Ø8x50mm
32 pcs	32 pcs	16 pcs	5 pcs	80 pcs	2 pcs
G	H	I	J	K	L
 Ø4x22mm		 Screwdriver	 Ø7x38mm		
4 pcs	4 pcs	1 pc	2 pcs	4 pcs	32 pcs
M	N	O			
					
4 pcs	4 pcs	2 pcs			

Installation of Cams and Pins

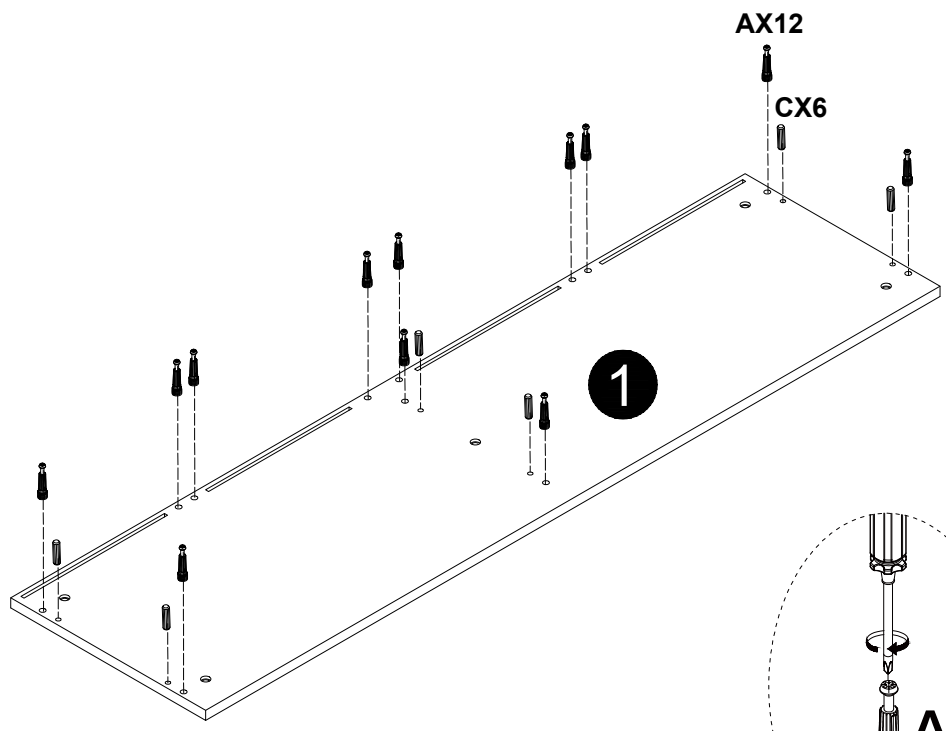
Read each step carefully before starting. Each step of instruction should be performed in the correct order. If these steps are not followed in sequence, assembly difficulties may occur.


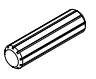


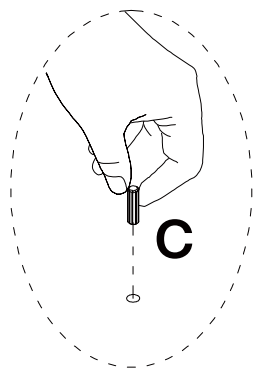
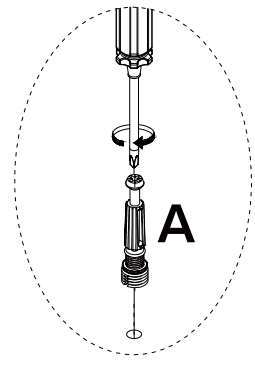
Screw the pin into the hole. Set the cams correctly by aligning the head of the cams with the lock pins. Lock the cam by turning the cam head with a screwdriver until it is tightened. Please do not use an electric screwdriver to assemble the unit.



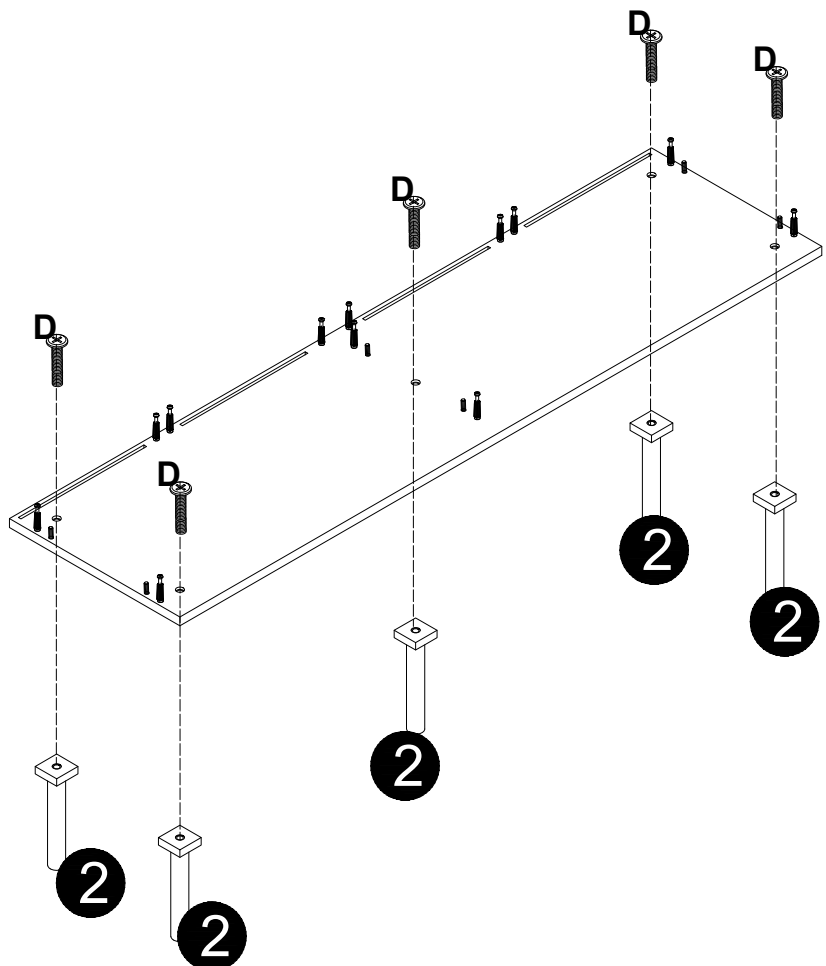
1




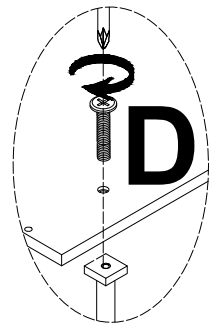
A	C
	
M6x35mm 12 pcs	Ø8x30mm 6 pcs



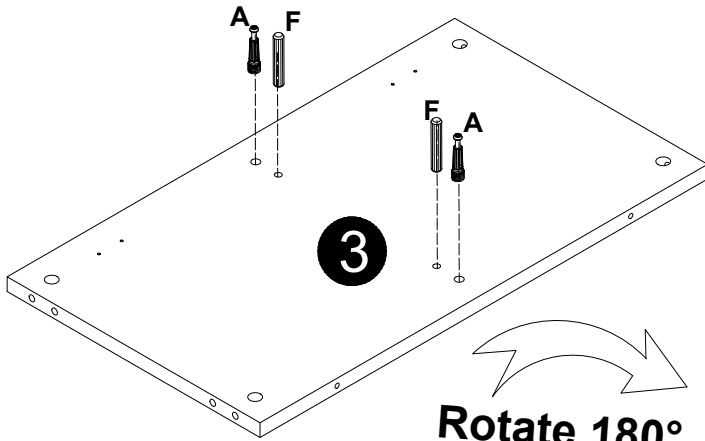
2


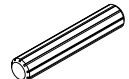


D

Ø8x35mm 5 pcs

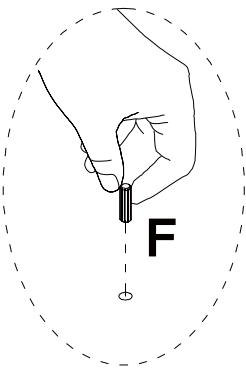
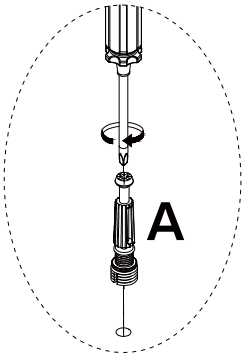
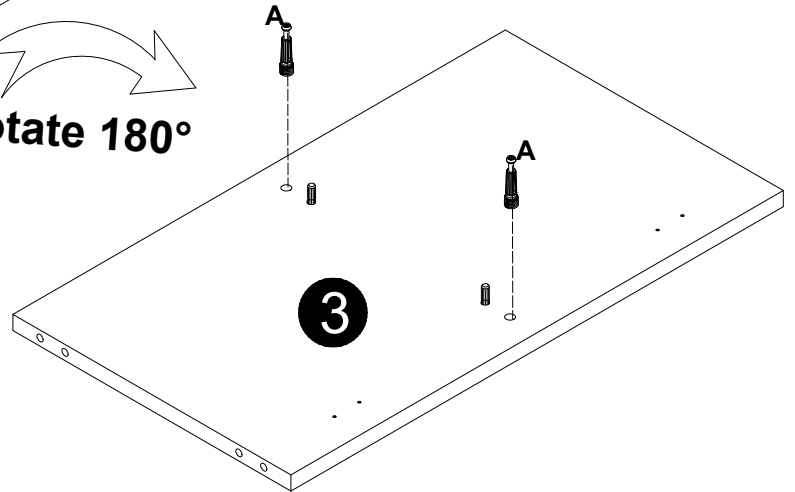


3

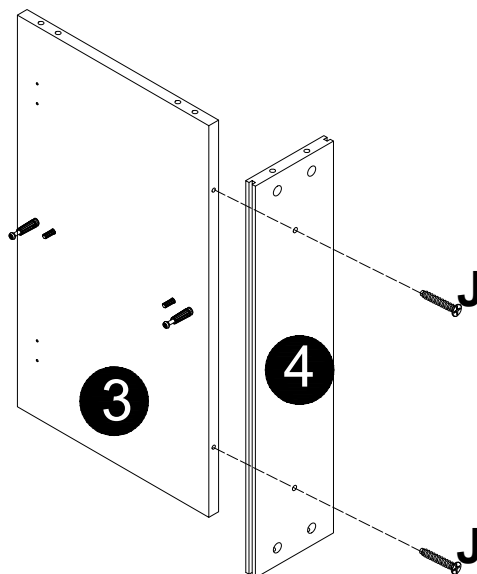



A	F
	
M6x35mm	Ø8x50mm
4 pcs	2 pcs

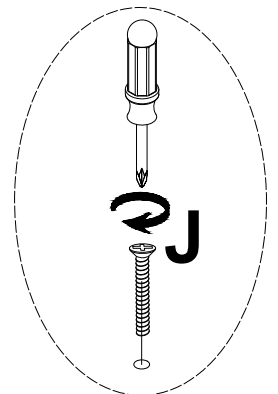
Rotate 180°




4



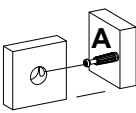
J

Ø7x38mm
2 pcs



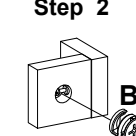
5

B
 Ø15x12mm
4 pcs

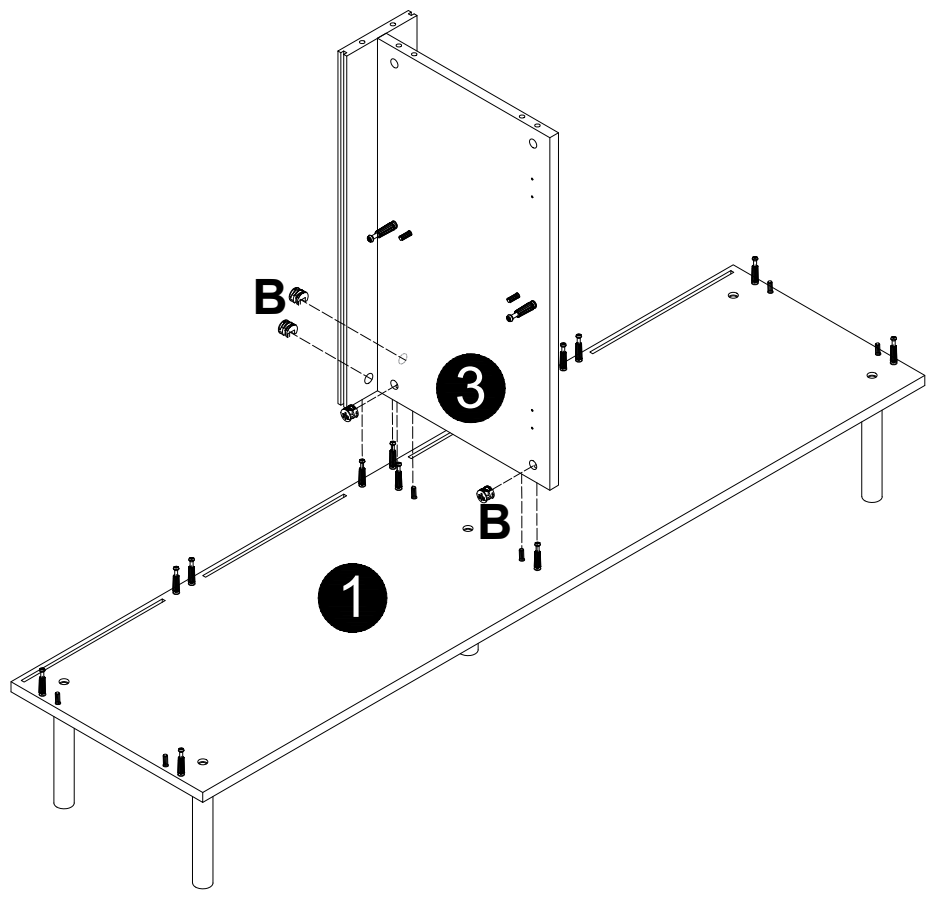
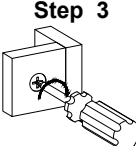
Step 1




Step 2



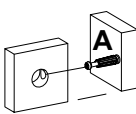
Step 3



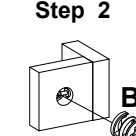
6

B
 Ø15x12mm
4 pcs

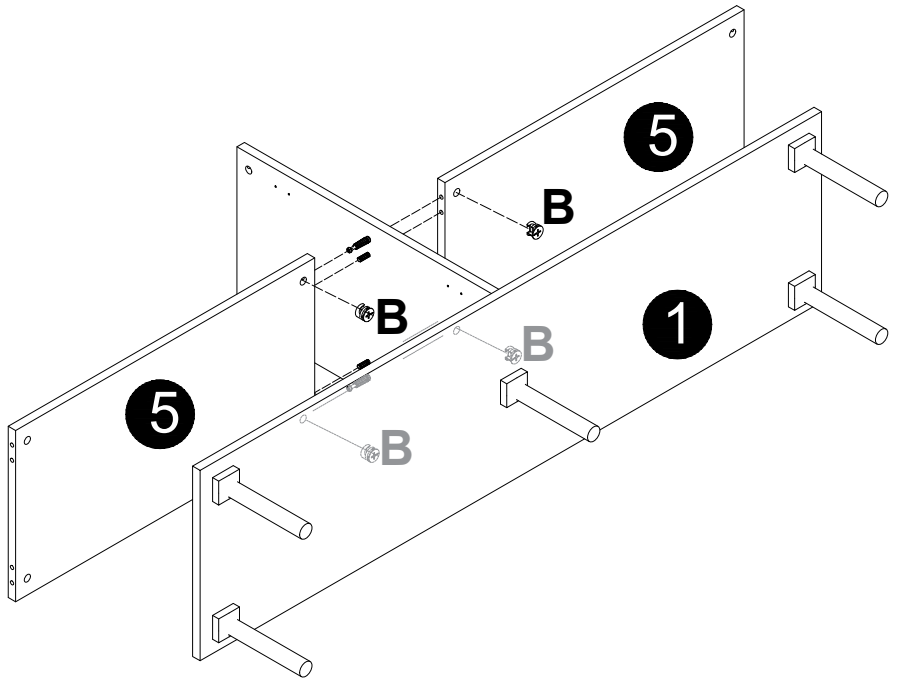
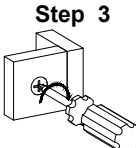
Step 1




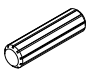
Step 2

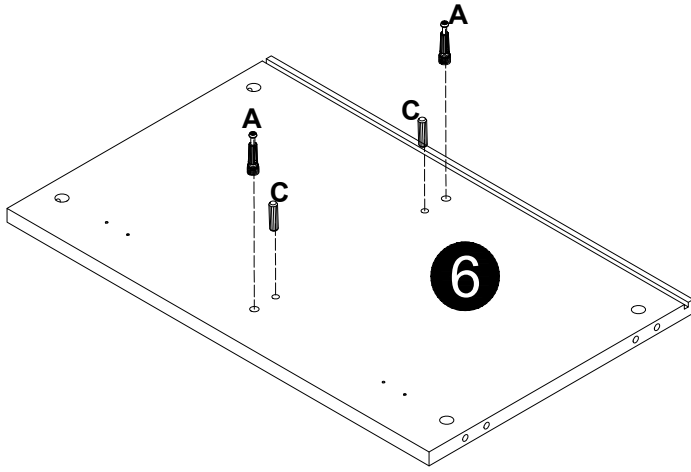


Step 3

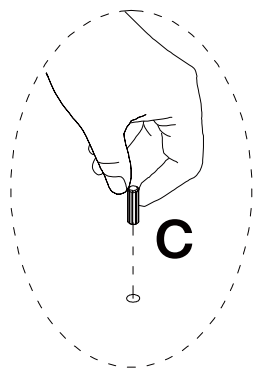
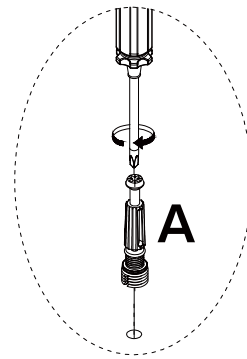


7

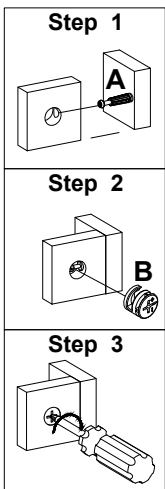
A	C
	
M6x35mm	Ø8x30mm
4 pcs	4 pcs




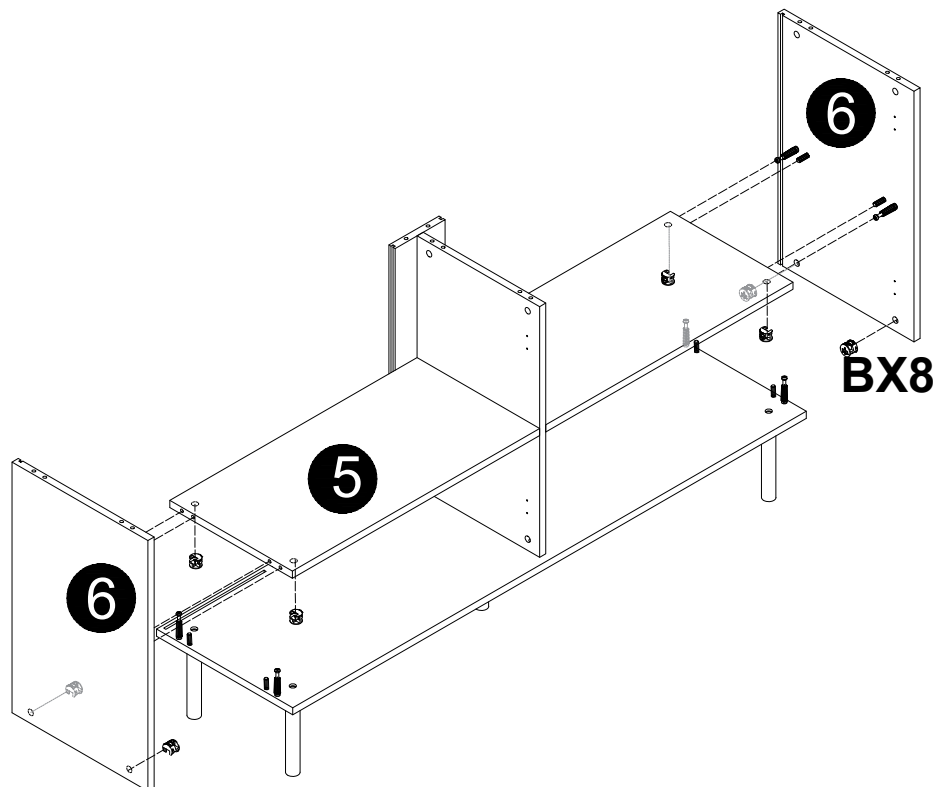
X2



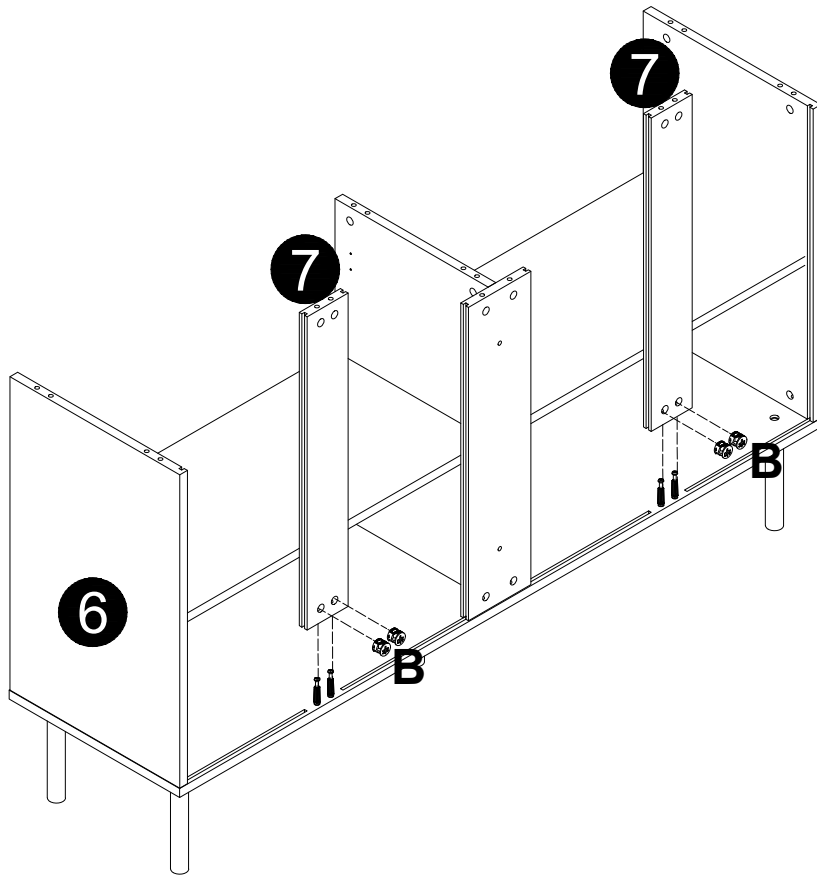
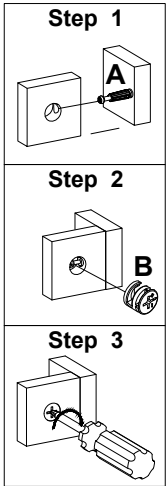
8




B

Ø15x12mm
8 pcs

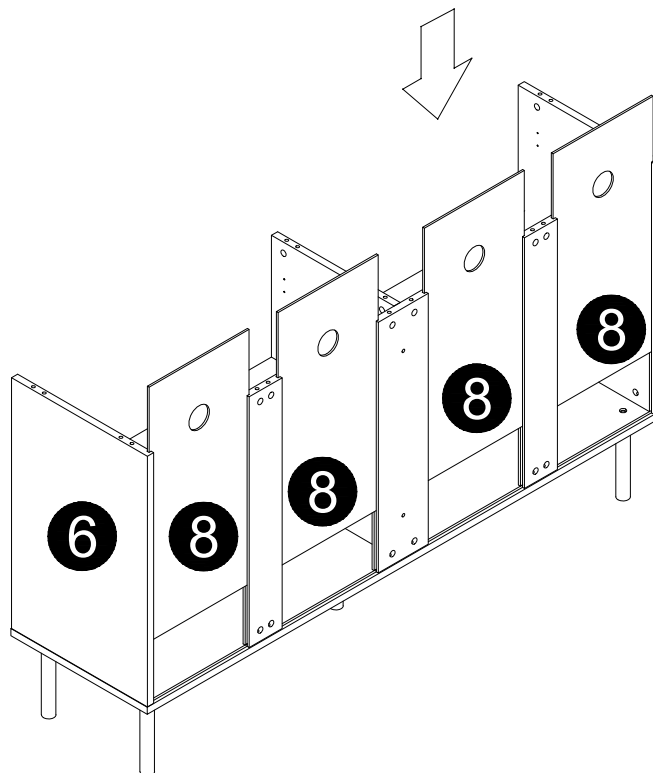


9

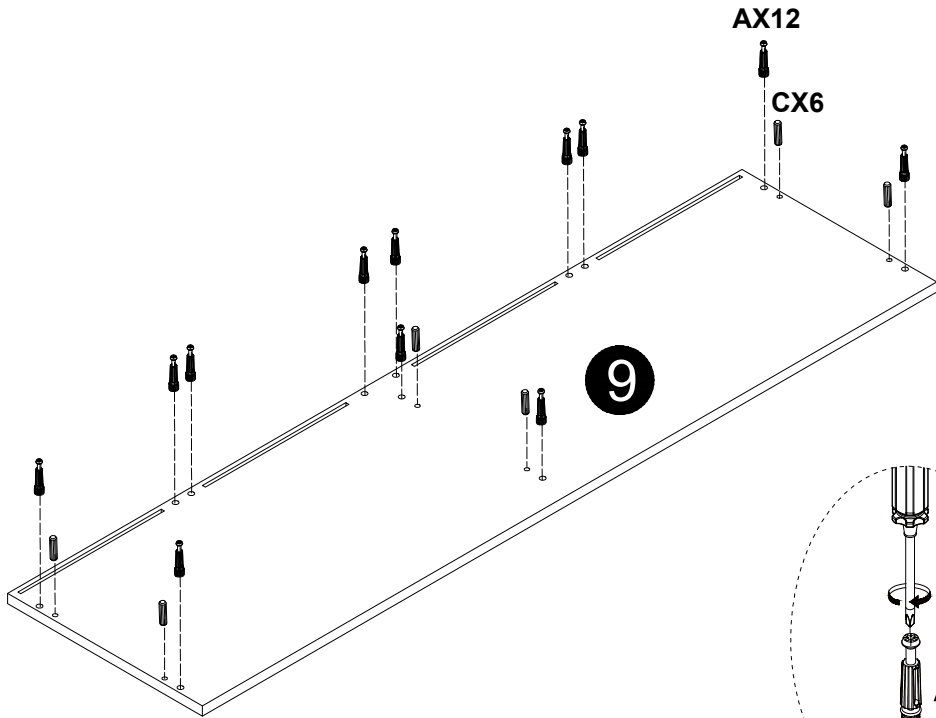



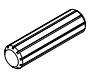
B
 Ø15x12mm
4 pcs

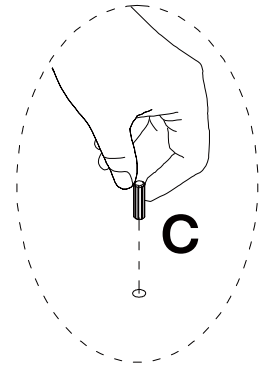
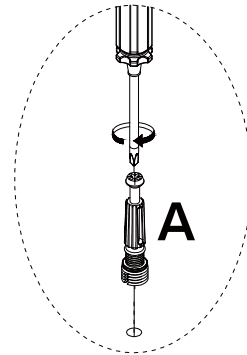
10



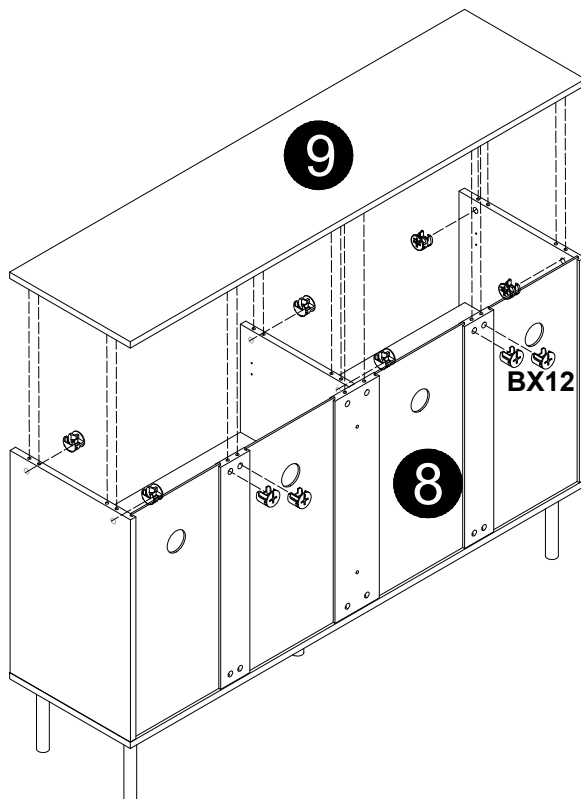
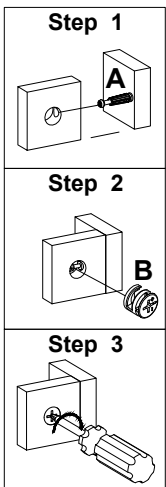
11




A	C
	
M6x35mm 12 pcs	Ø8x30mm 6 pcs

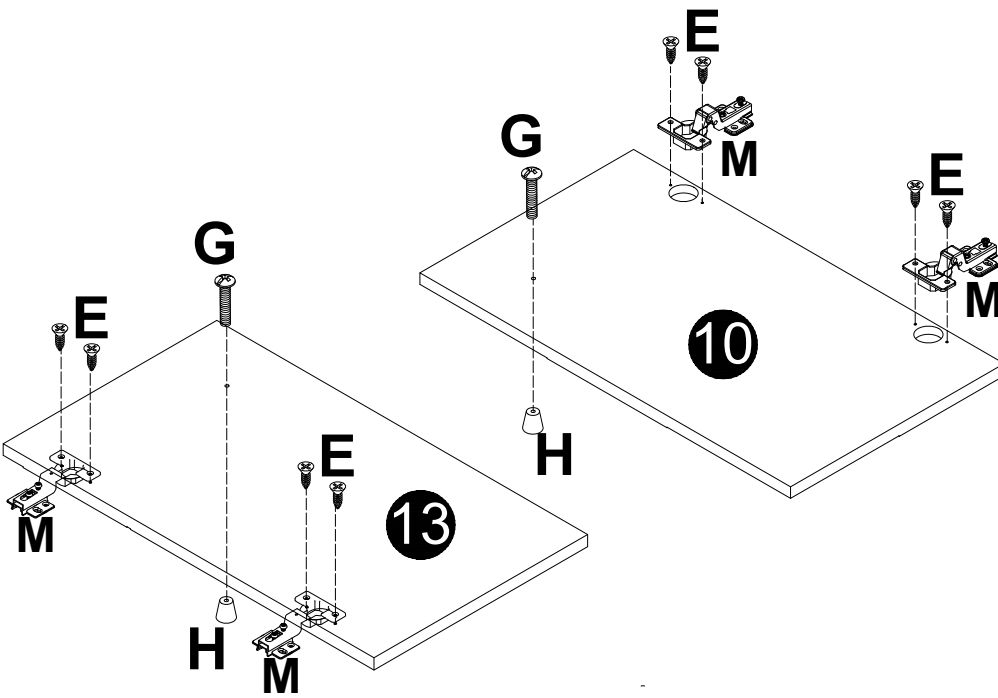


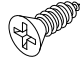

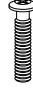

12



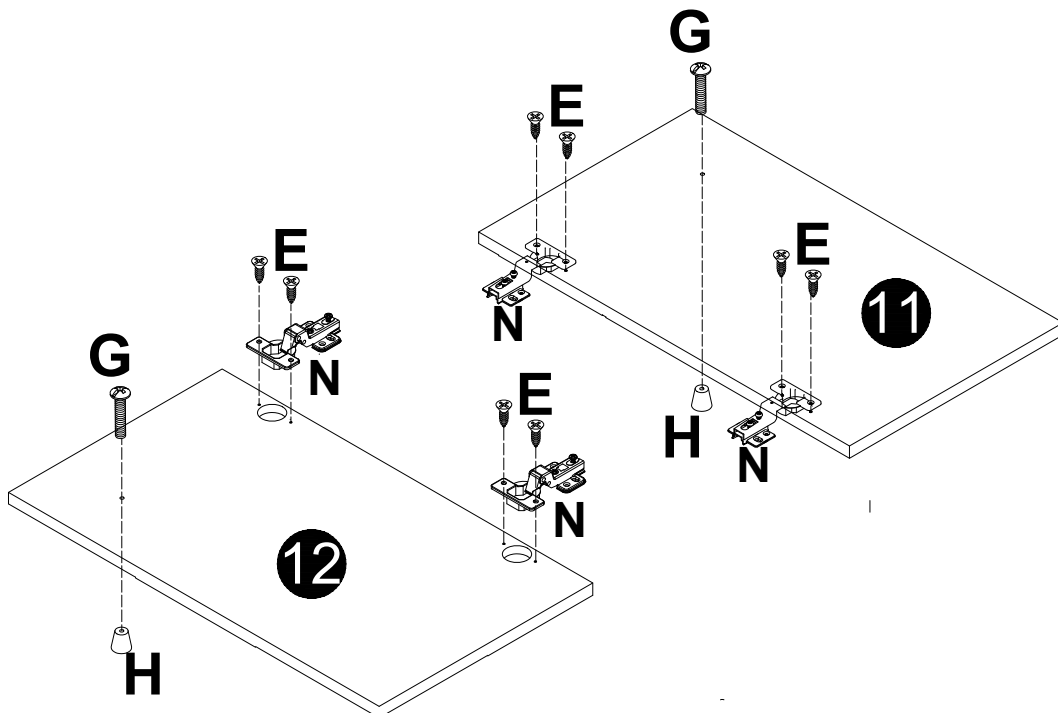
B

Ø15x12mm 10 pcs



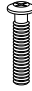
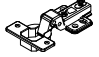
13





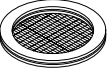
E	H
 M3.5x14mm	
8 pcs	2 pcs
G	M
 M4x22mm	
2 pcs	4 pcs

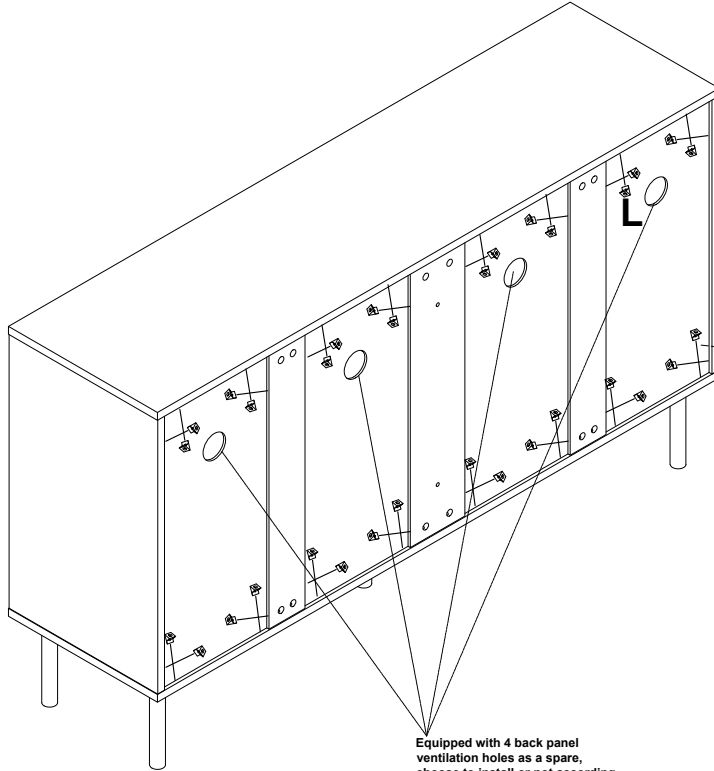
14



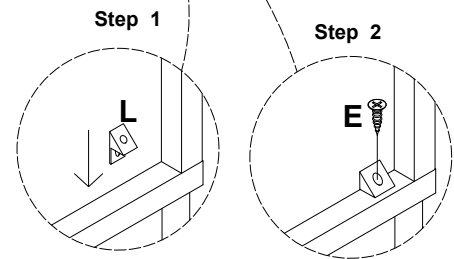
E	H
 M3.5x14mm	
8 pcs	2 pcs
G	N
 M4x22mm	
2 pcs	4 pcs

15

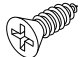
L	E	K
	 M3.5x14mm	
32 pcs	32 pcs	4 pcs

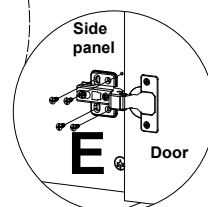
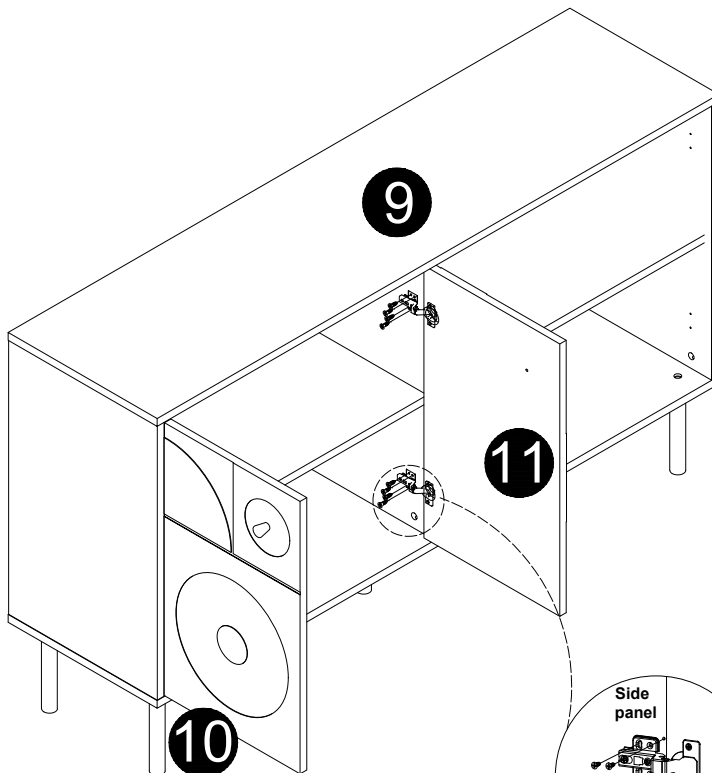


Equipped with 4 back panel ventilation holes as a spare, choose to install or not according to your needs.




16

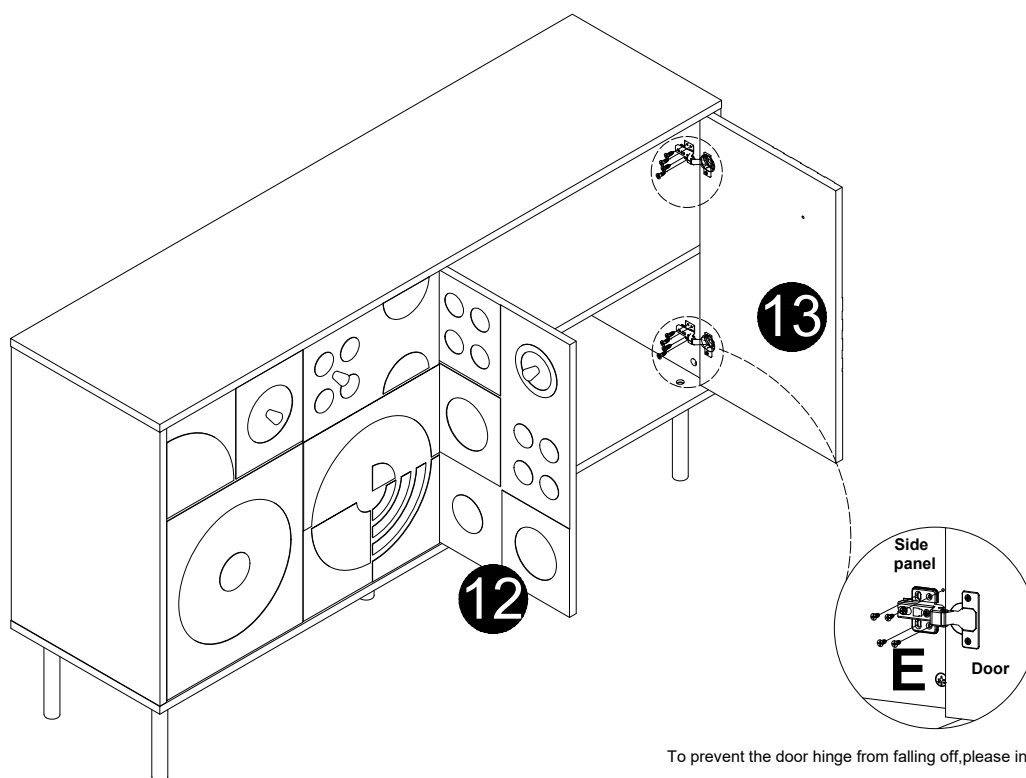
E
 M3.5x14mm
16 pcs




To prevent the door hinge from falling off, please install 4 screws

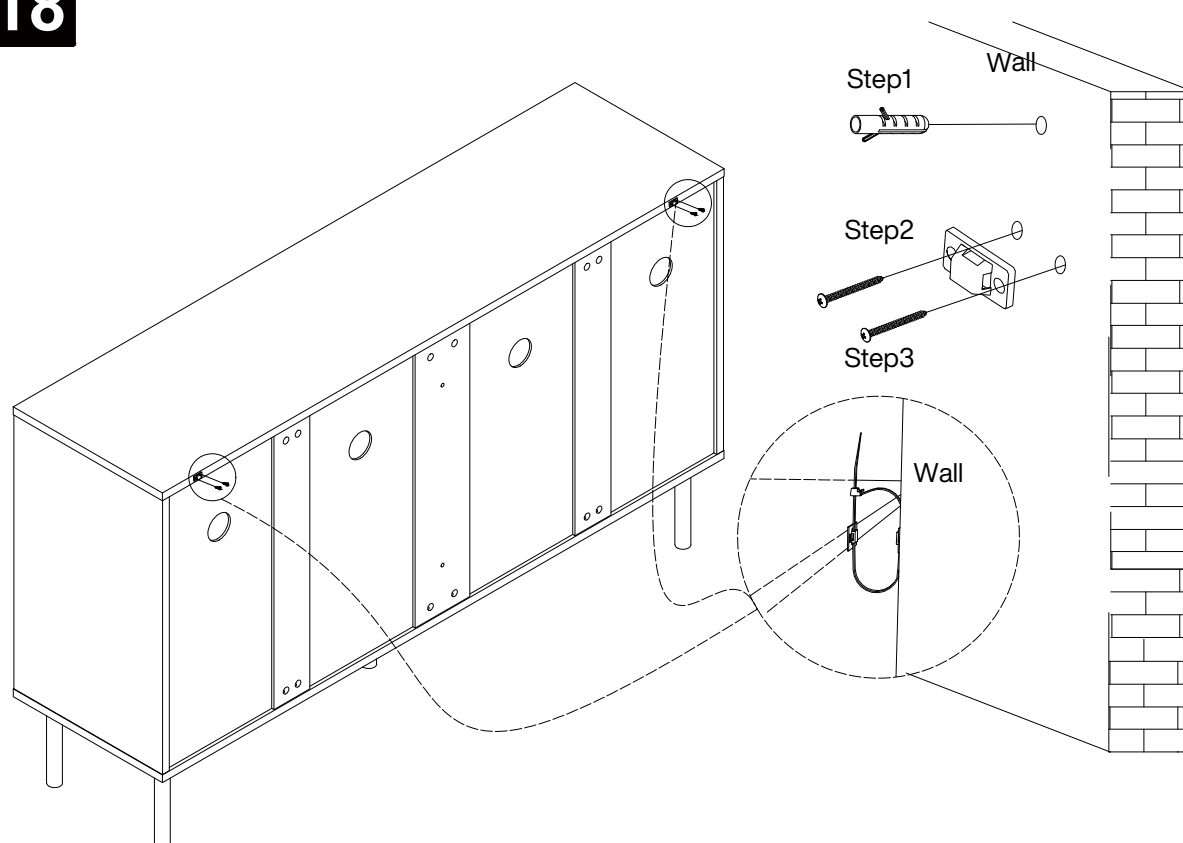
17

E
 M3.5x14mm
16 pcs



18

O

2 pcs



Thank you for your support!

