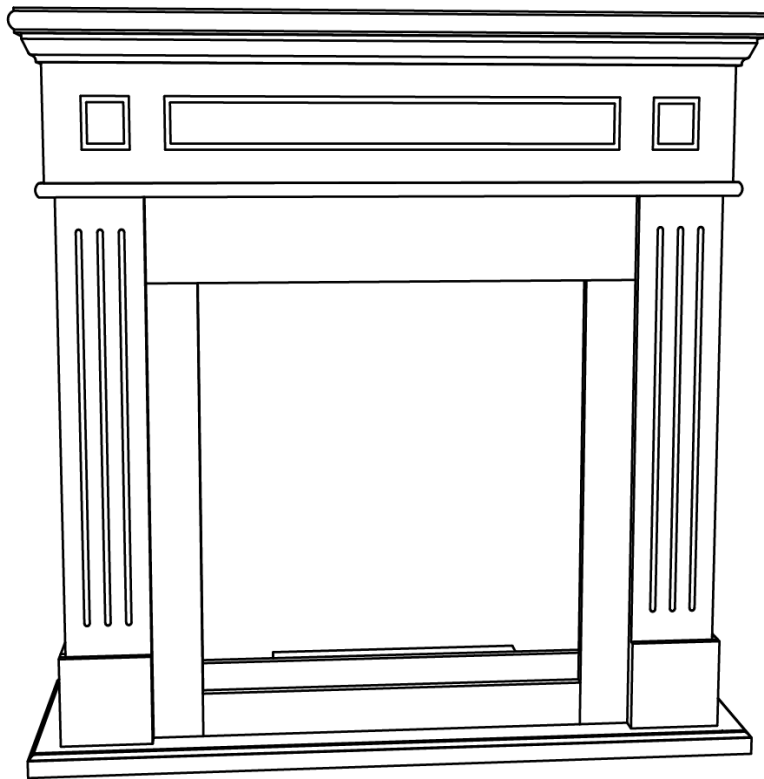


IMPORTANT INSTRUCTIONS AND OPERATING MANUAL



MF027 ELECTRIC FIREPLACE

THIS INSTRUCTION BOOKLET CONTAINS IMPORTANT SAFETY INFORMATION. PLEASE READ AND KEEP FOR FUTURE REFERENCE.

Do Not Return This Product!

Contact our customer service team for help first.

Call: 213-4467172

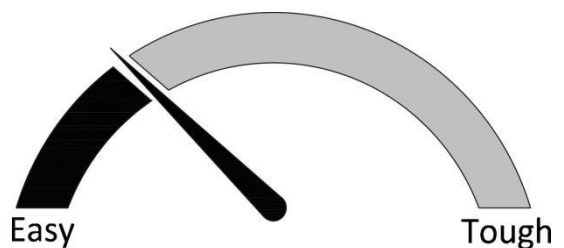
Monday - Sunday 8:30 am - 5:30 pm P.S.T

9733 Topanga Canyon Blvd. APT310, Chatsworth, CA 91311



WARNING

- Unit can tip over causing severe injury or death.
- Anchor unit to stud in wall (if instructed to).
- Do Not allow children to climb on unit.
- Put heavy items on lower shelves or drawers.



Easy Tough
Assembly Difficulty Meter

CERTIFIED UNDER CANADIAN AND
AMERICAN NATIONAL STANDARDS: ETL



Contact Us !

DO NOT RETURN THIS PRODUCT!

Contact our friendly customer service team first for help.

Call: 213-4467172

(8:30 am - 5:30 pm P.S.T)

DATED PROOF OF PURCHASE REQUIRED FOR WARRANTY SERVICE.

[Helpful Hints]

**PEOPLE NEEDED FOR ASSEMBLY: 1-2
ESTIMATED ASSEMBLY TIME: 1 HOUR**

-Open your item in the area you plan to keep it to avoid excessive heavy lifting.



-Identify, sort and count the parts before attempting assembly.



-Make sure to always face the point on the top of the Cam Lock towards the outer edge.



-Use all the nails provided for the back panel and spread them out equally.



-Back panel must be used to make sure your unit is sturdy.

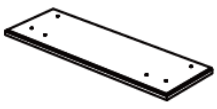


-Do NOT use harsh chemical or abrasive cleaner on this item.

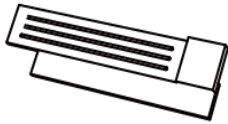
-Never push, pull, or drag your furniture.



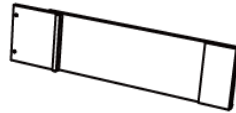
PACKING LIST



①



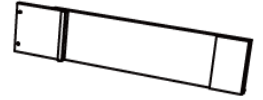
②



③



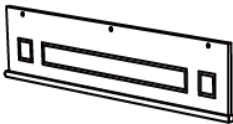
④



⑤



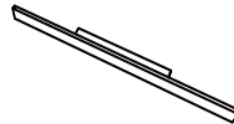
⑥



⑦



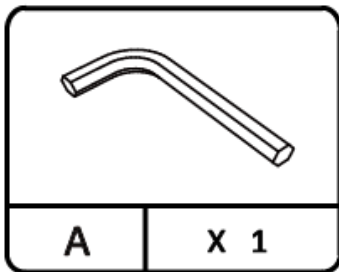
⑧



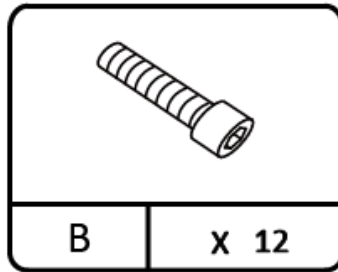
⑨



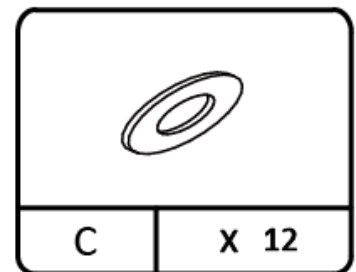
⑩



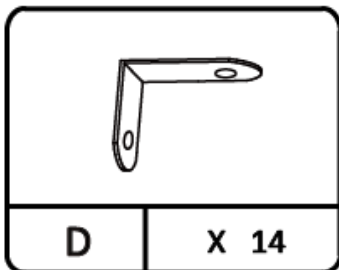
ALLEN KEY



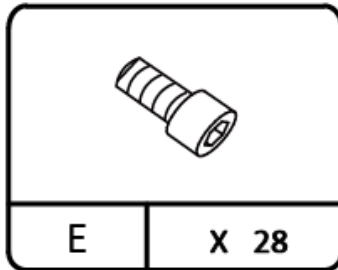
M6X2.8 SCREW



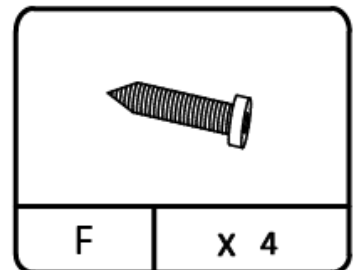
WASHER



L SHAPE BRACKET



M6X1.2 SCREW



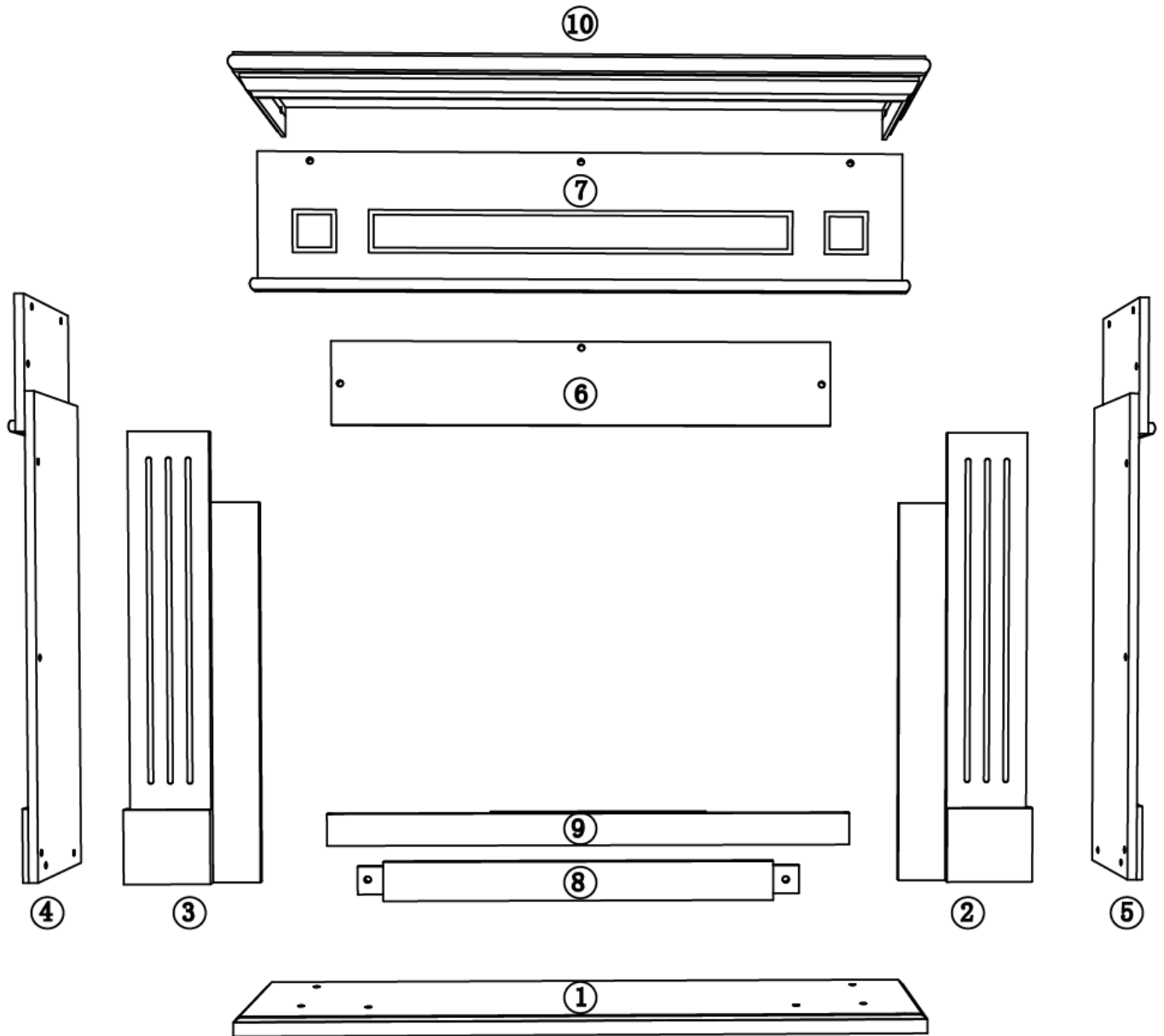
ST4.2X9.5 SCREW

DIMENSIONS



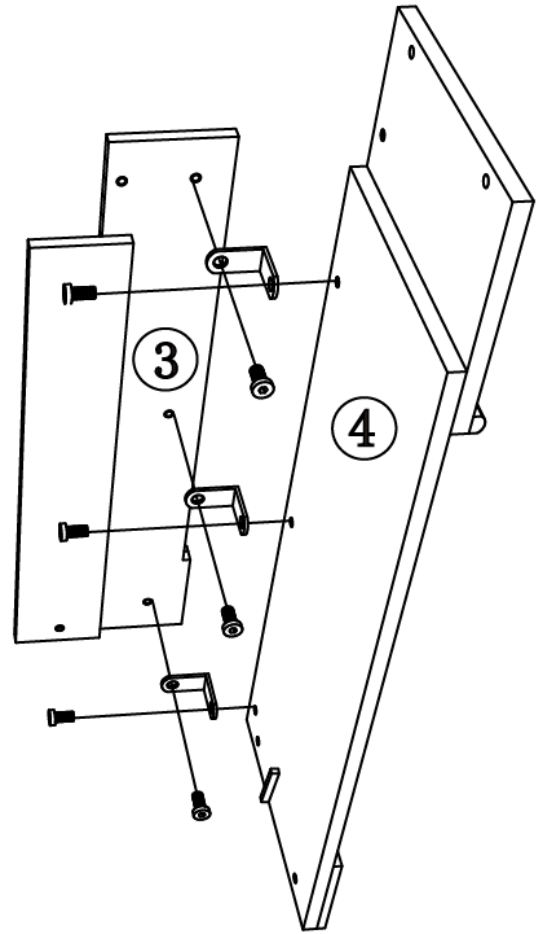
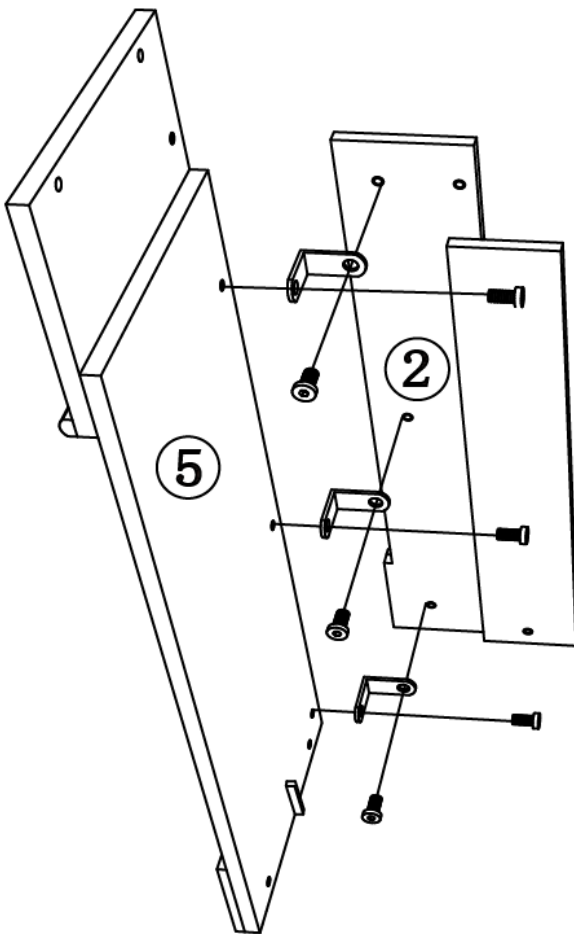
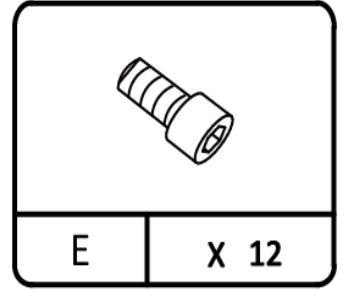
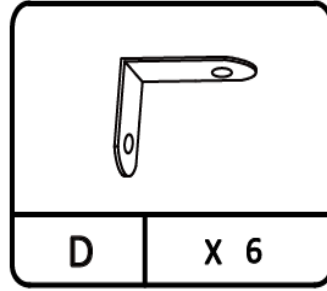
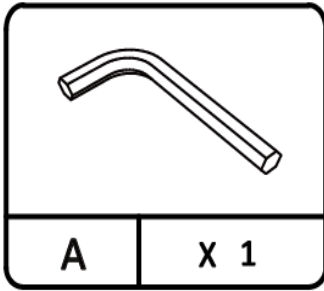
ASSEMBLY

Before installing this fireplace, please read the following steps carefully.



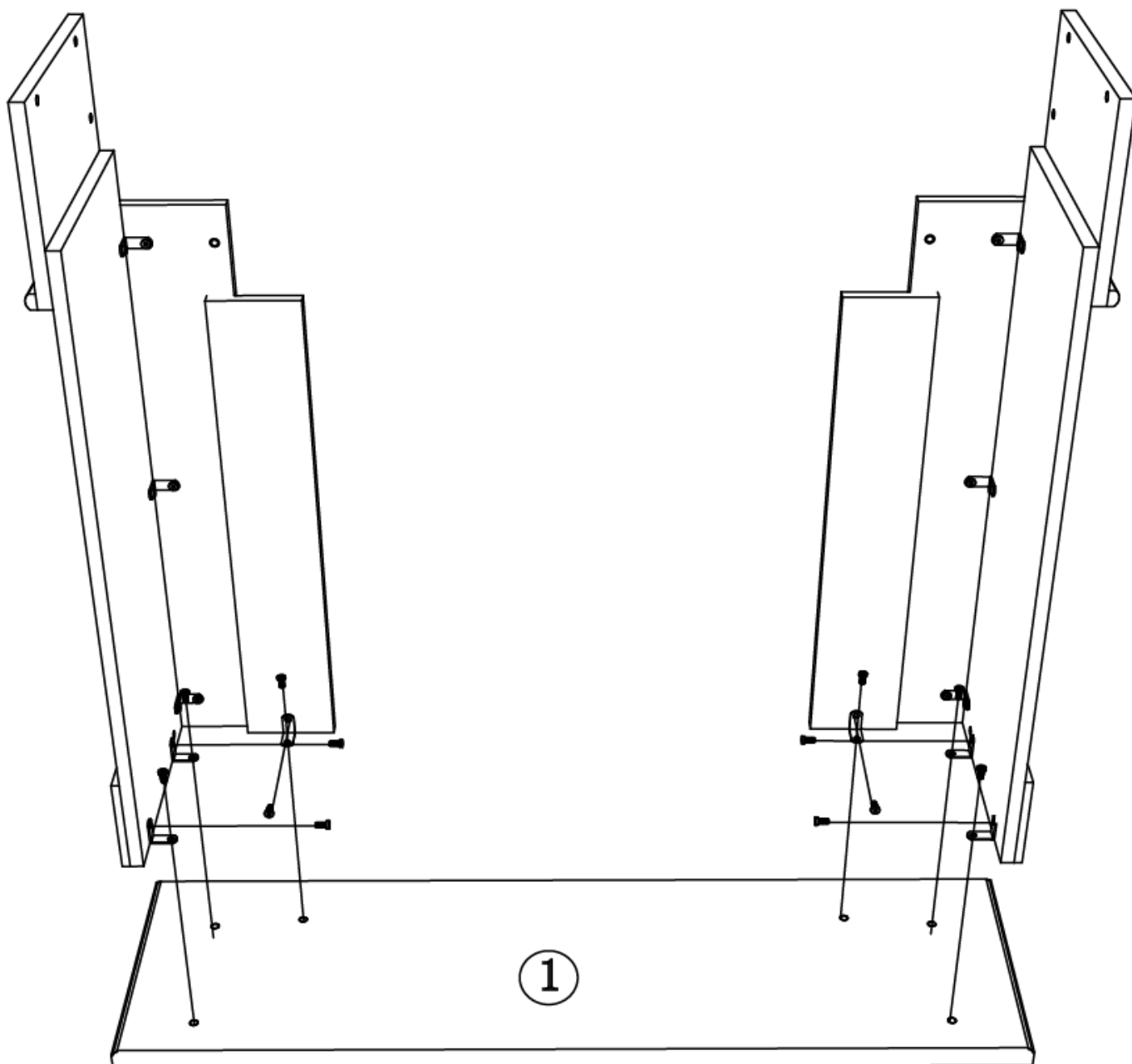
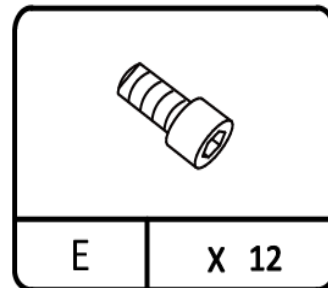
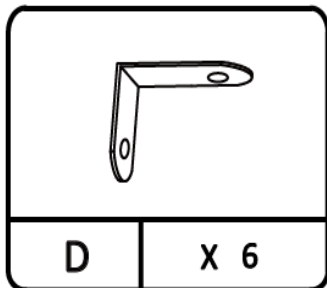
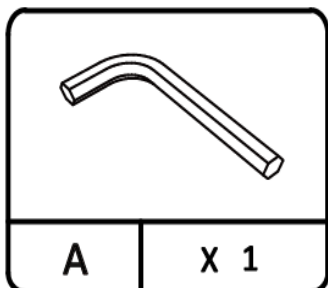
STEP 1:

Install two side panels(4)+(5) onto the front panel(2)+(3) with Allen Key as shown in the picture.



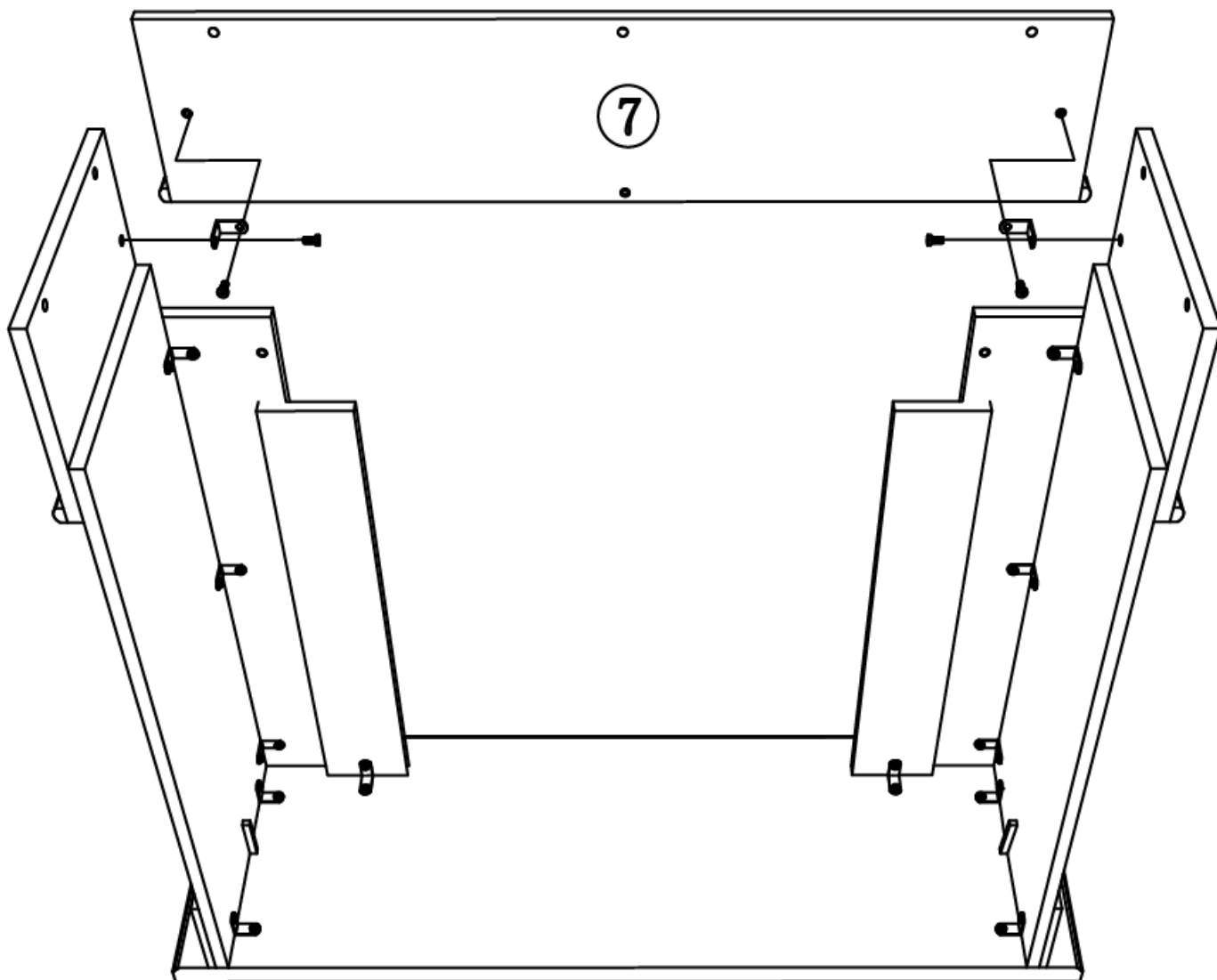
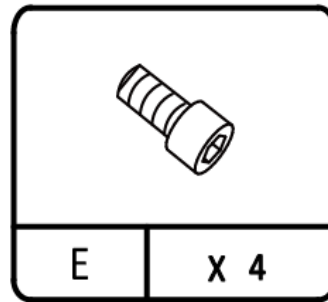
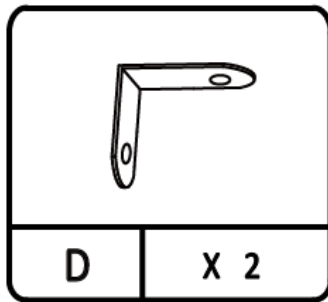
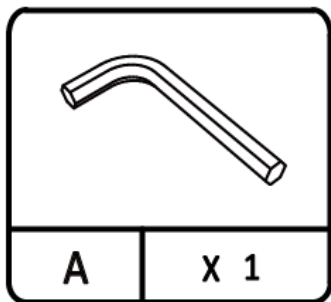
STEP 2:

Install the panels installed in the previous step onto the bottom seat(1) with Allen Key as shown in the picture.



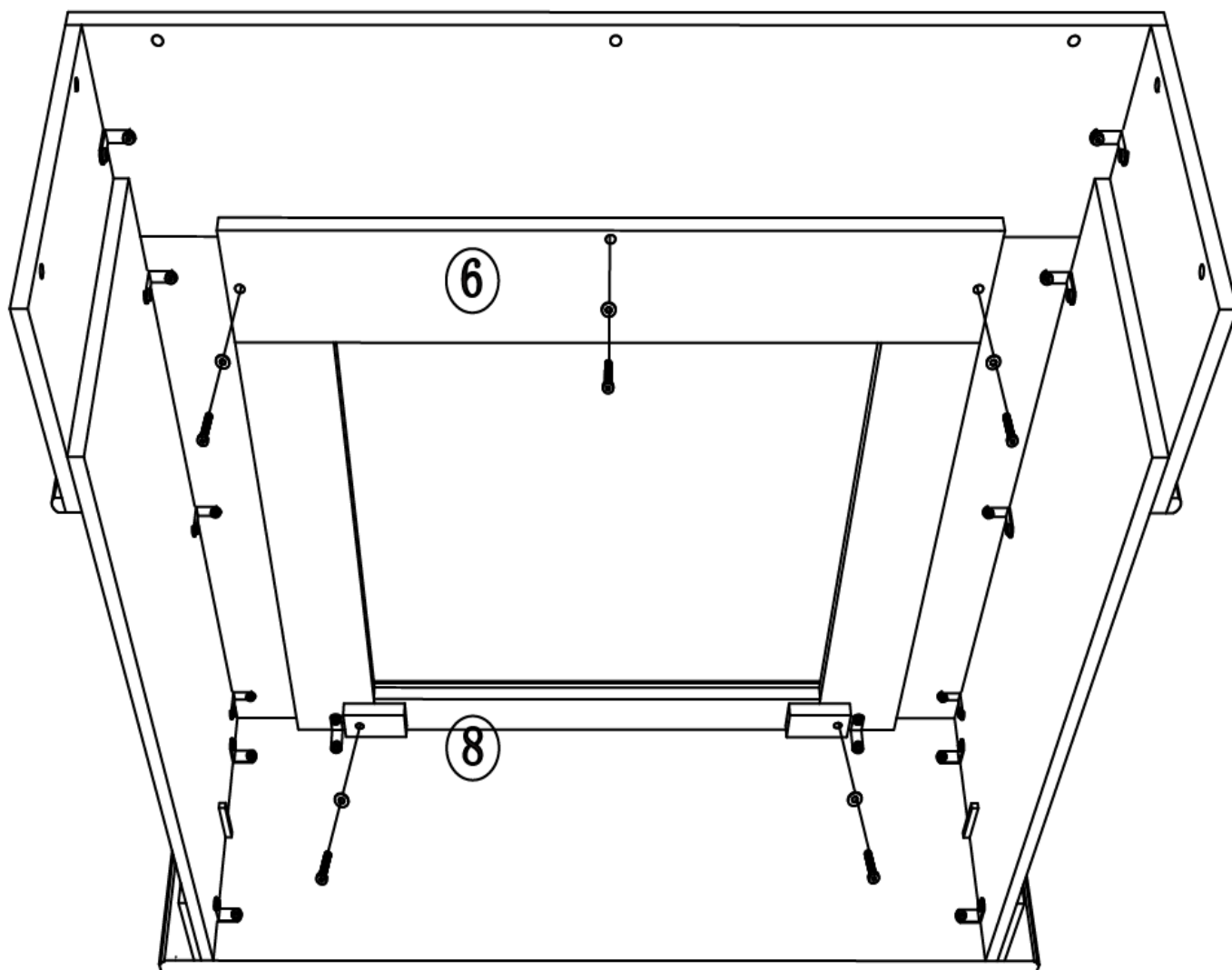
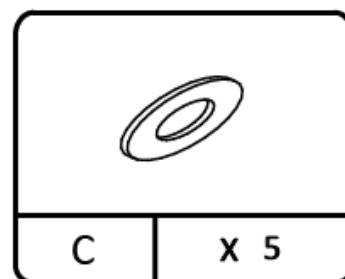
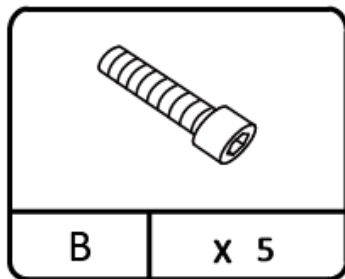
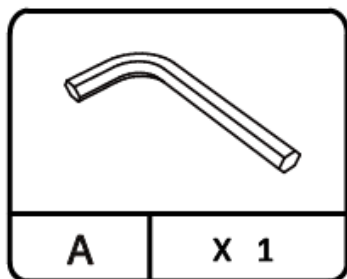
STEP 3:

Install the panel(7) onto the panels installed in the previous step with Allen Key as shown in the picture.



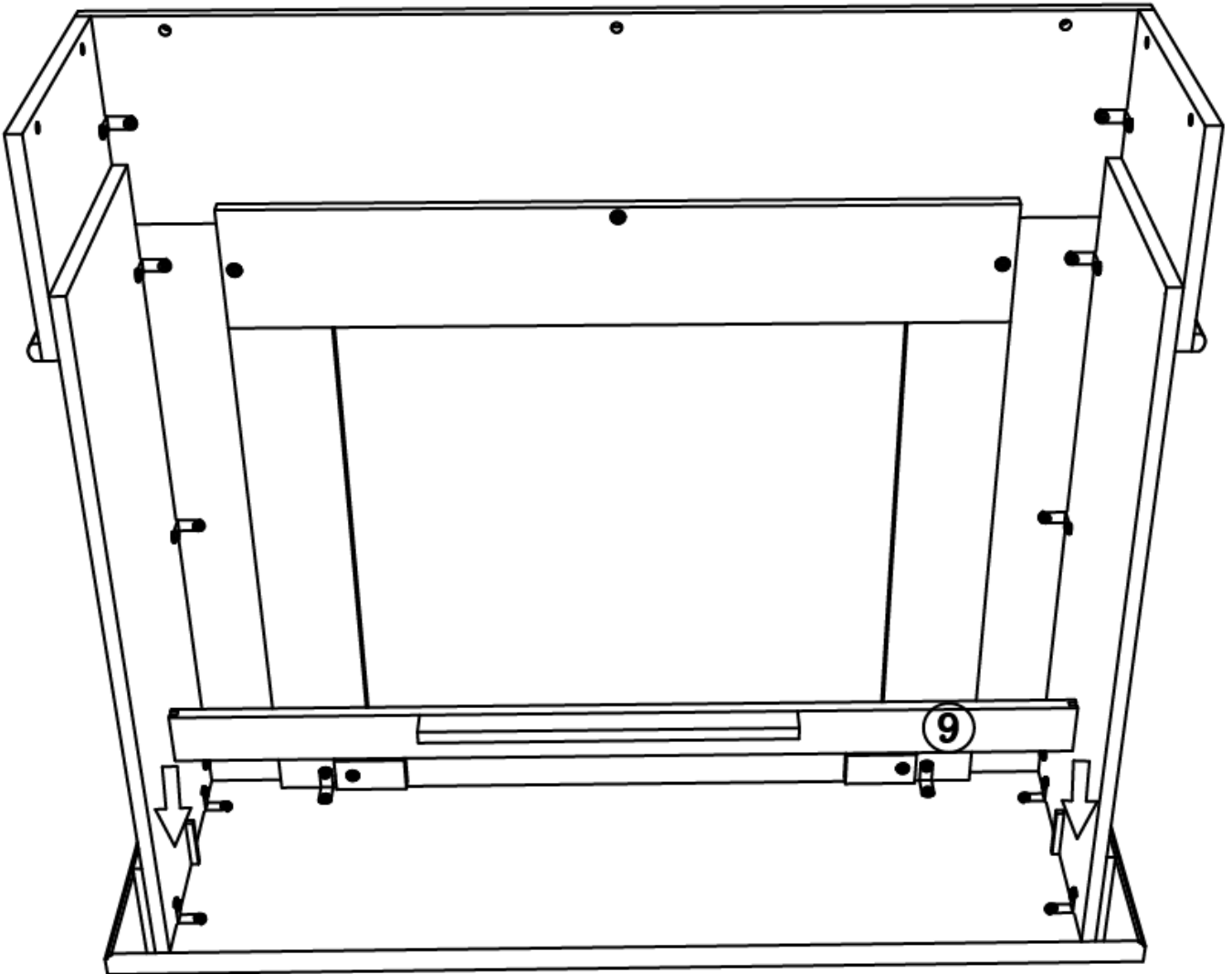
STEP 4:

Install the panels(6)+(8) onto the panels installed in the previous step with Allen Key as shown in the picture.



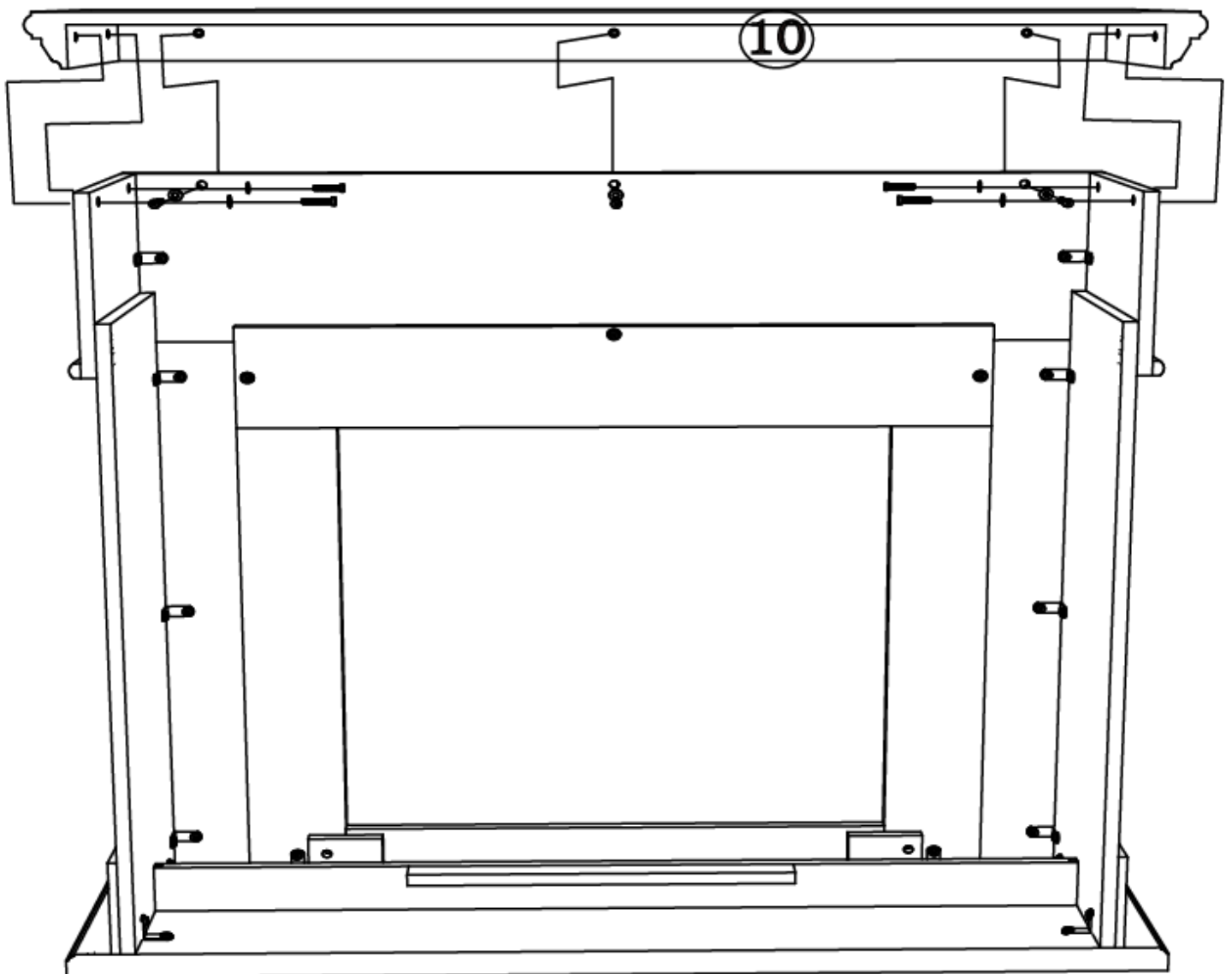
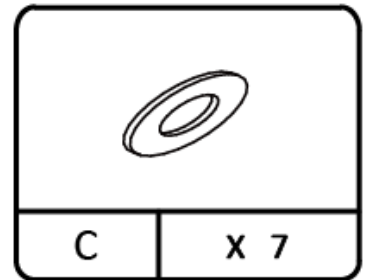
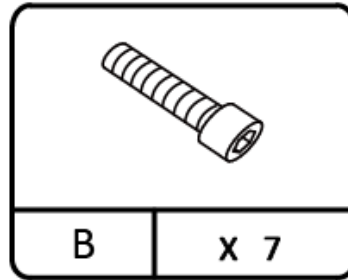
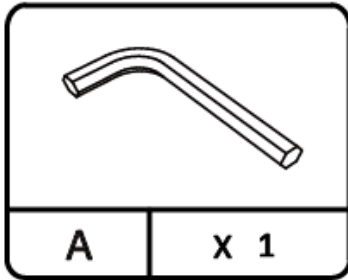
STEP 5:

Insert the panel(9) onto the panels installed in the previous step as shown in the picture.



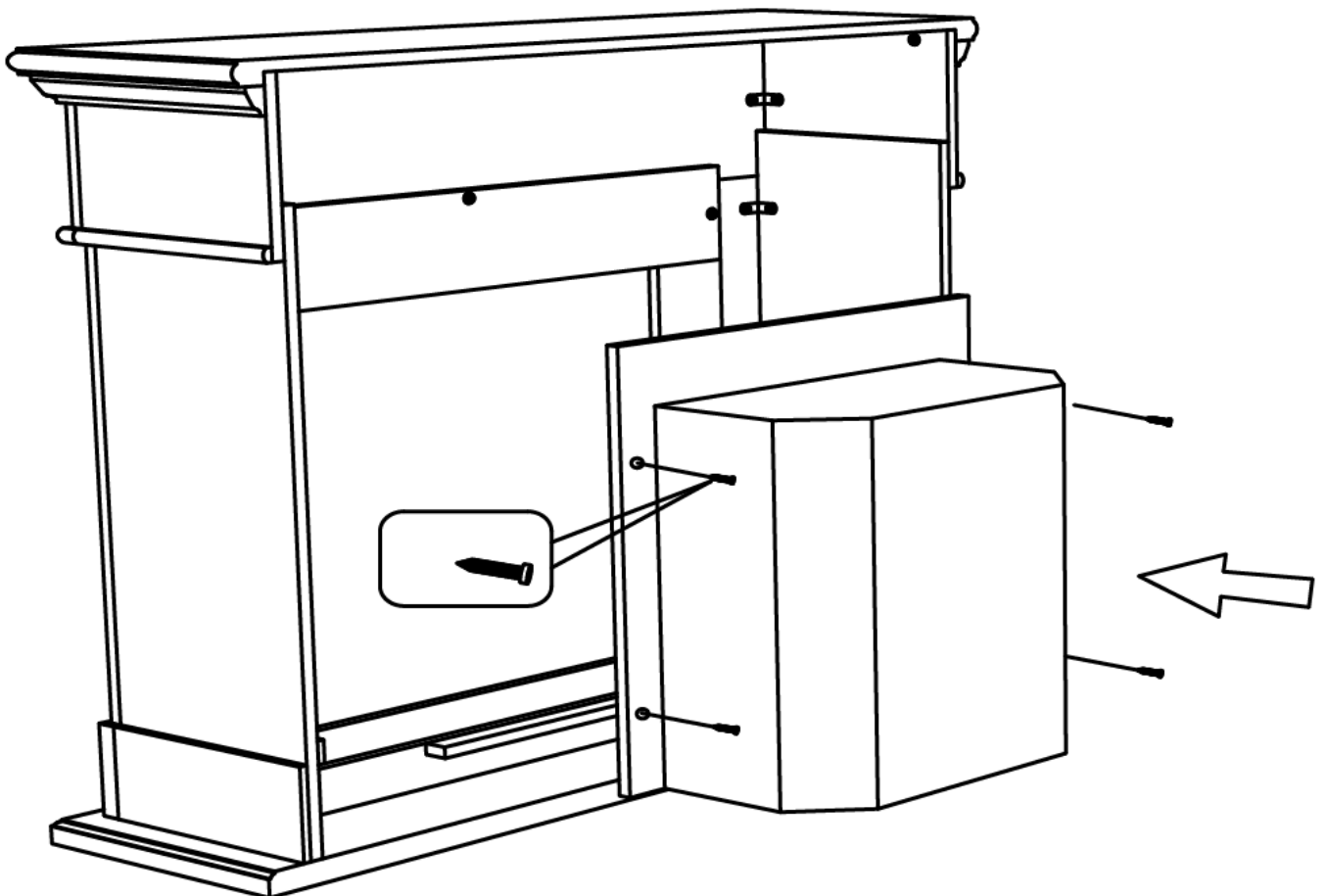
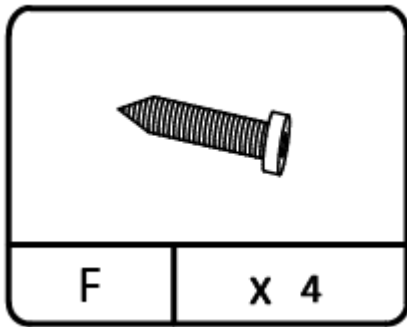
STEP 6:

Install the panels(10) onto the panels installed in the previous step with Allen Key as shown in the picture.



STEP 7:

Insert the fireplace into the mantel from front to back.



Thank you for purchasing this product! If you have questions about assembly or operation of this product, are missing parts, or if the product is damaged, please contact us via **Amazon Message** or call customer serve Phone: **213-4467172**.

5 Star Rating



Visit your local retailer's website, rate your purchased product and leave us some feedback!

We would like to extend a big "Thank You" to all of our customers for taking the time to assemble this product, and to give us your valuable feedback.

*Thank
You!*

Add:9733 Topanga Canyon Blvd. APT310, Chatsworth, CA 91311

Phone: 213-4467172 (P.S.T)