

ASSEMBLY INSTRUCTIONS

093-910

TOOLS REQUIRED:

Allen Wrench (Provided, Part E)

Screwdriver (Not Provided)

BEFORE YOU START:

1. Check the hardwares against the hardware list to make sure all items are present.
2. Assemble your furniture on a soft, flat surface to avoid scratching the finish.
3. **CAUTION:** Do not over tighten screws, nuts or bolts during assembly.
4. Your furniture may require occasional tightening.

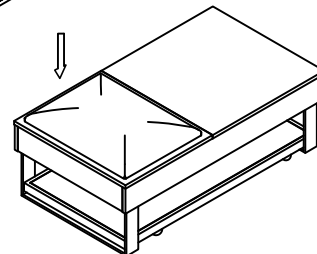
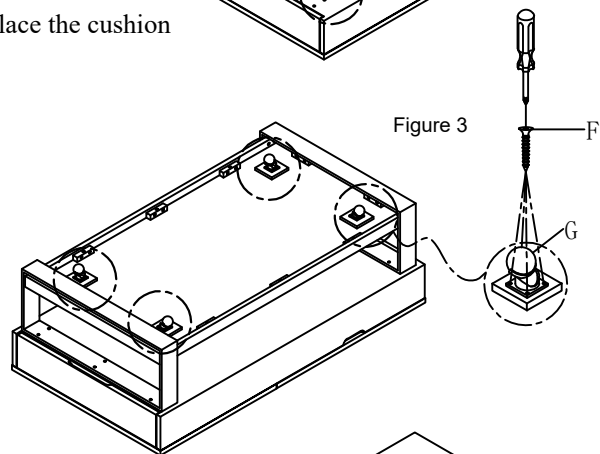
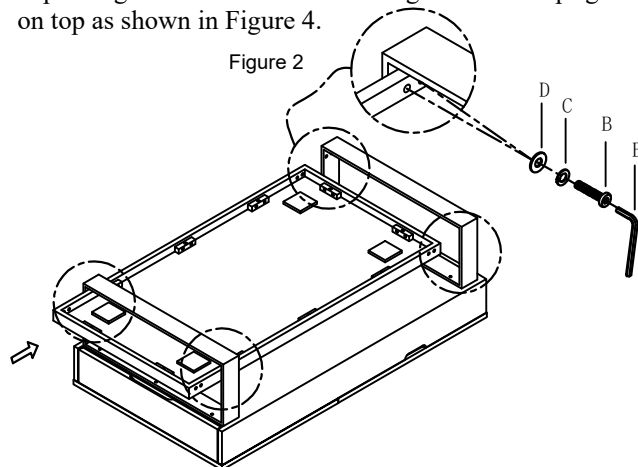
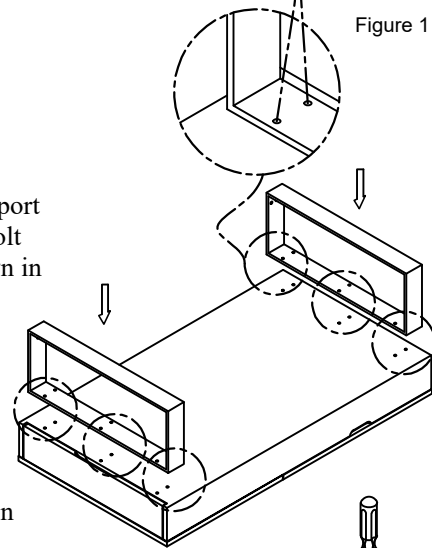
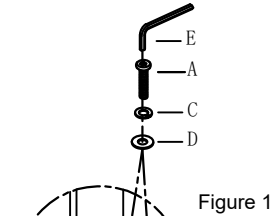
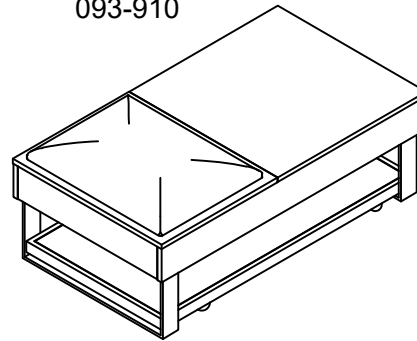
INSTRUCTIONS:

Step 1. Turn the top upside down on to a clean soft surface. Place two support leg frames to make the holes align with the holes on top frame. Tighten Bolt (A) with Flat Washer (D)+Lock Washer (C) by Allen Wrench (E) as shown in Figure 1.

Step 2. Place the bottom shelf to legs and tighten with Bolt (B) with Flat Washer (D)+Lock Washer (C) by Allen Wrench (E) as shown in Figure 2.

Step 3. Tighten the Casters (G) with Screw(F) as shown in Figure 3.

Step 4. Tighten all bolts before setting table back upright. Place the cushion on top as shown in Figure 4.



HARDWARE LIST			
A		Bolt (Ø1/4"*1")	12pcs
B		Long Bolt (Ø1/4"*1-1/8")	8pcs
C		Lock Washer (Ø1/4")	20pcs
D		Flat Washer (Ø1/4")	20pcs
E		Allen Wrench (100*50*4mm)	1pc
F		Screw (Φ8x5/8")	16pcs
G		Caster (Φ50*H64mm)	4pcs

Figure 4