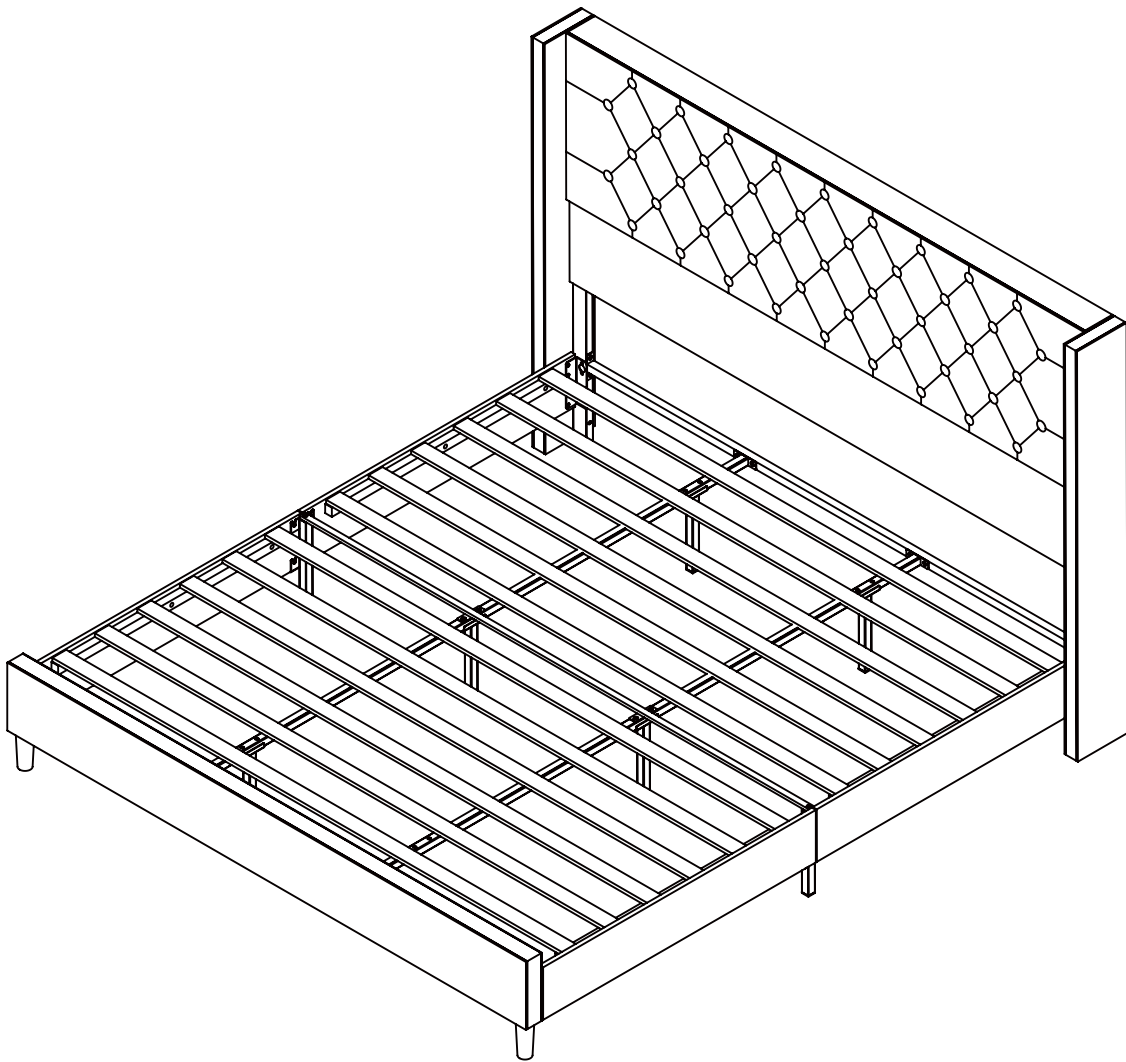


INSTRUCTIONS

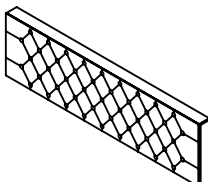
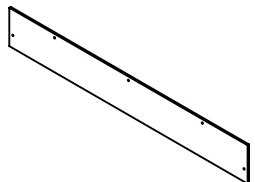




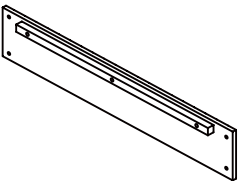
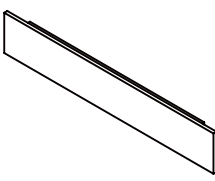
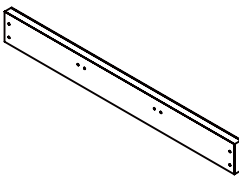

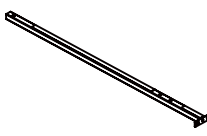

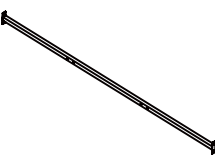
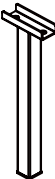
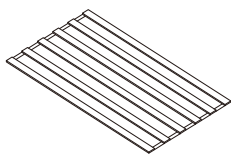
BED -KING









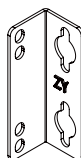


GENERAL ASSEMBLY GUIDELINES

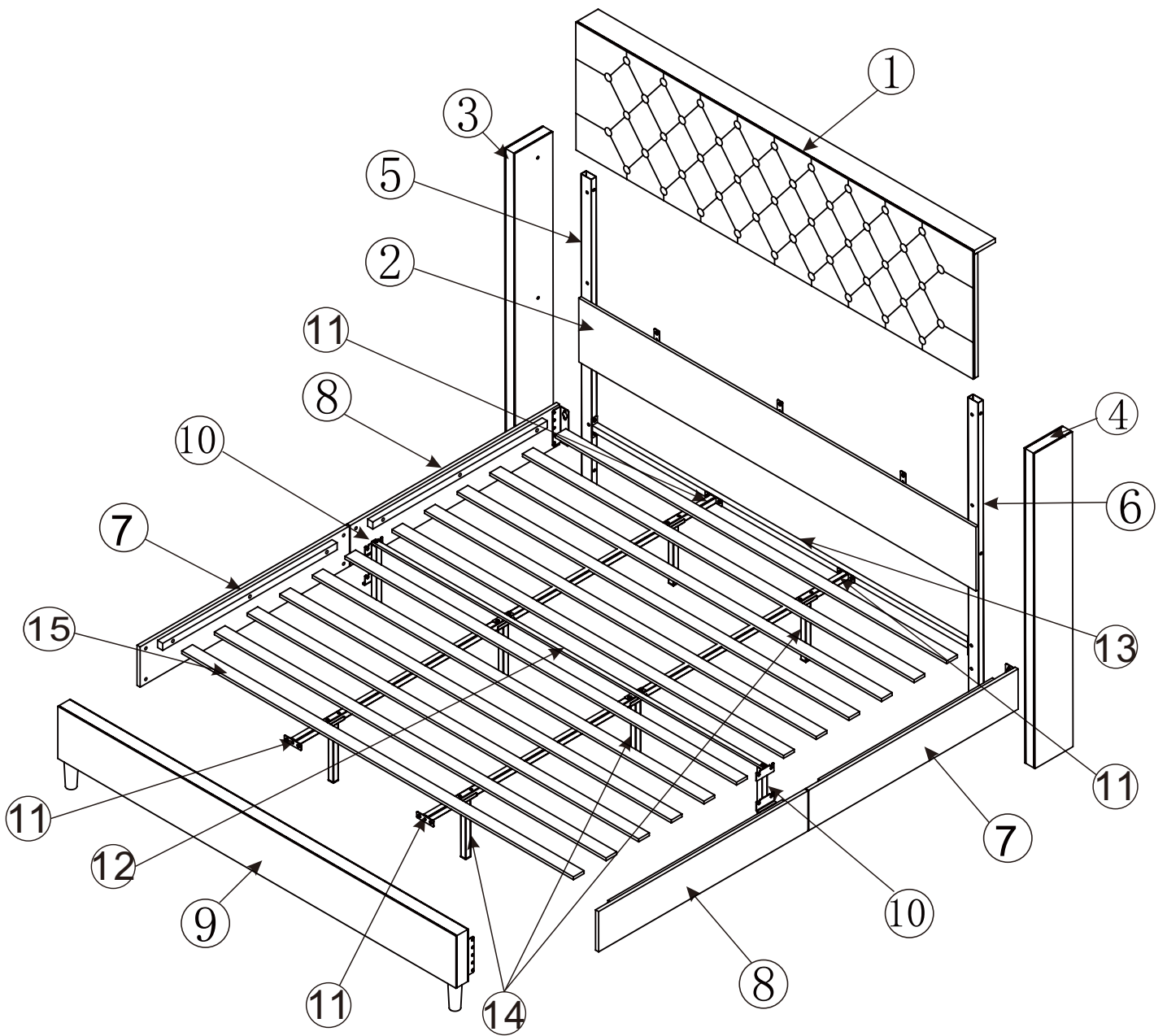
- I. Ensure that all parts and hardware are available before beginning assembly.
- II. Follow each step carefully to ensure the proper assembly of the product.
- III. Two people are recommended for ease in the assembly of this product.

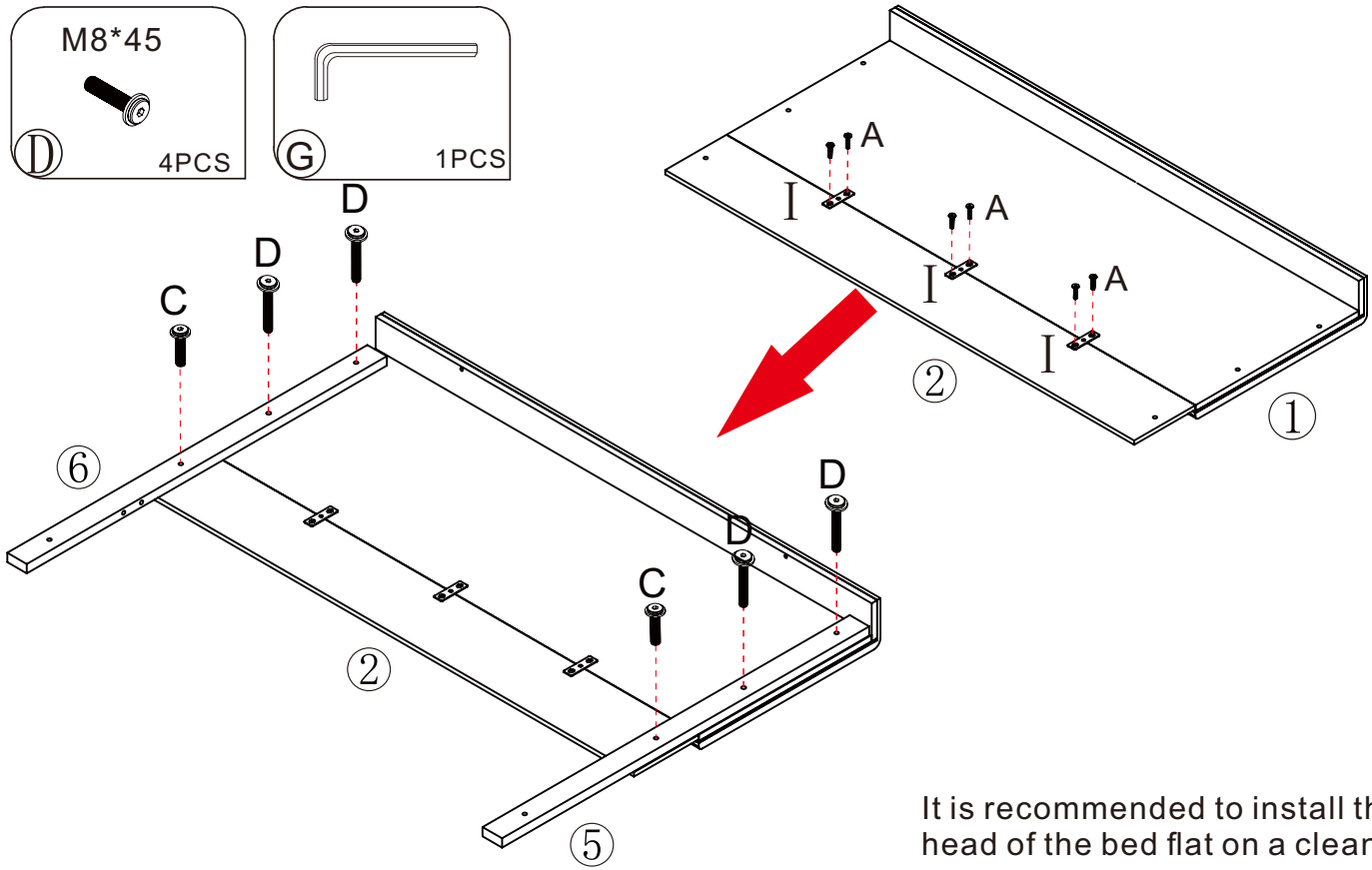
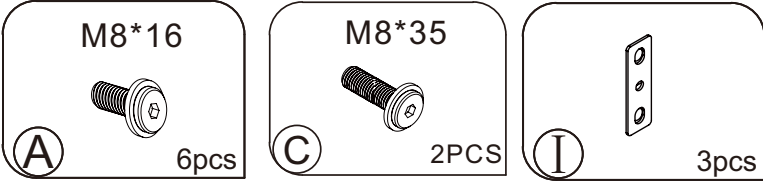
PARTS LIST

①  1pc	②  1pc	③  1pc
④  1pc	⑤  1pc	⑥  1pc
⑦  2pcs	⑧  2pcs	⑨  1pc
⑩  2pcs	⑪  4PCS	⑫  1pc
⑬  1pc	⑭  6PCS	⑮  2pcs

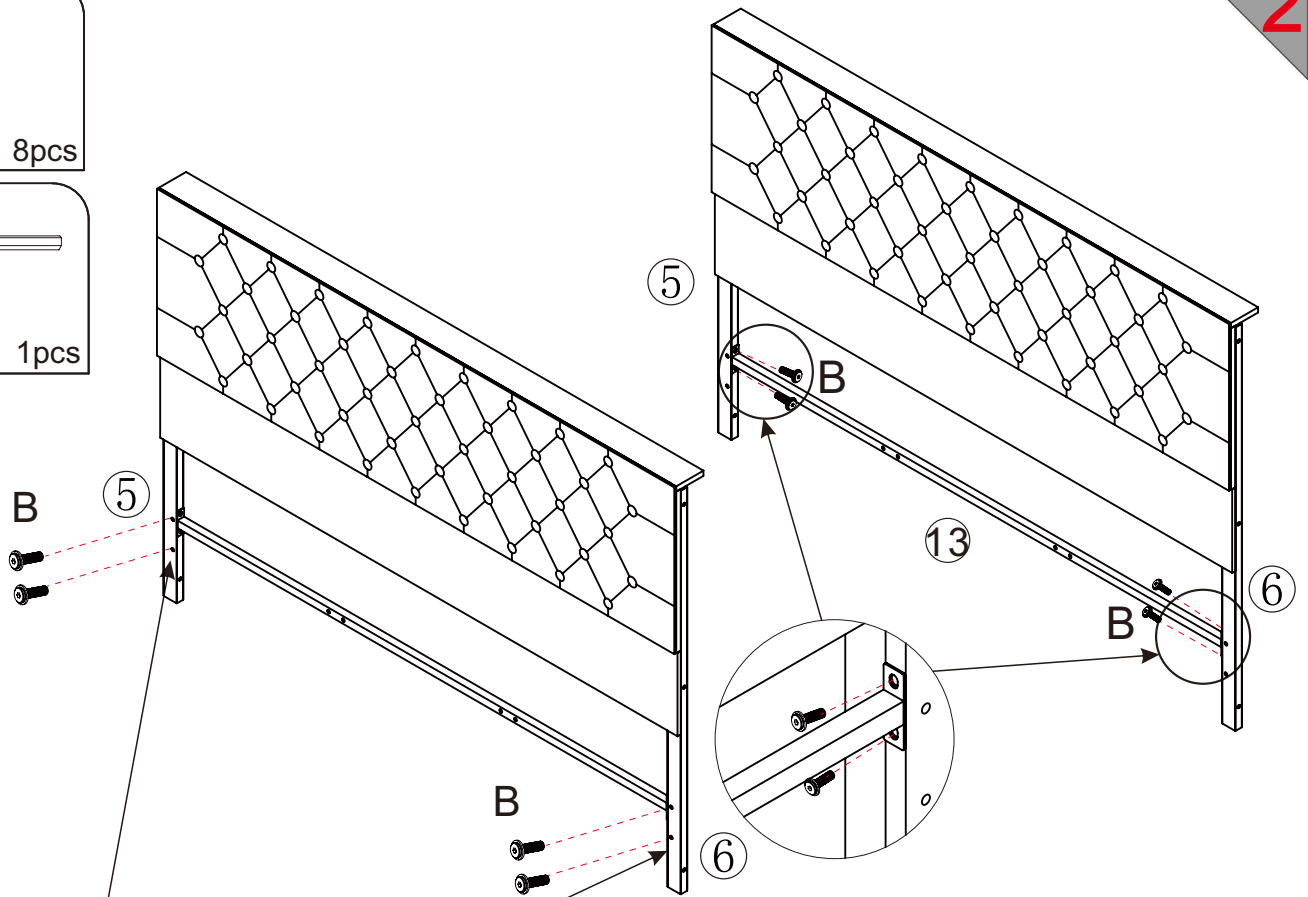
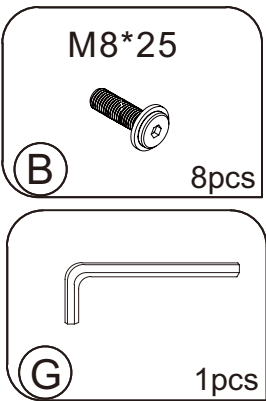
HARDWARE

M8*16  (A) 22+2PCS	M8*25  (B) 22+2PCS	M8*35  (C) 14+1PCS	M8*45  (D) 4PCS	M8*70  (E) 6PCS
(G)  1PCS	(H)  4PCS	(I)  3PCS	(J)  2PCS	

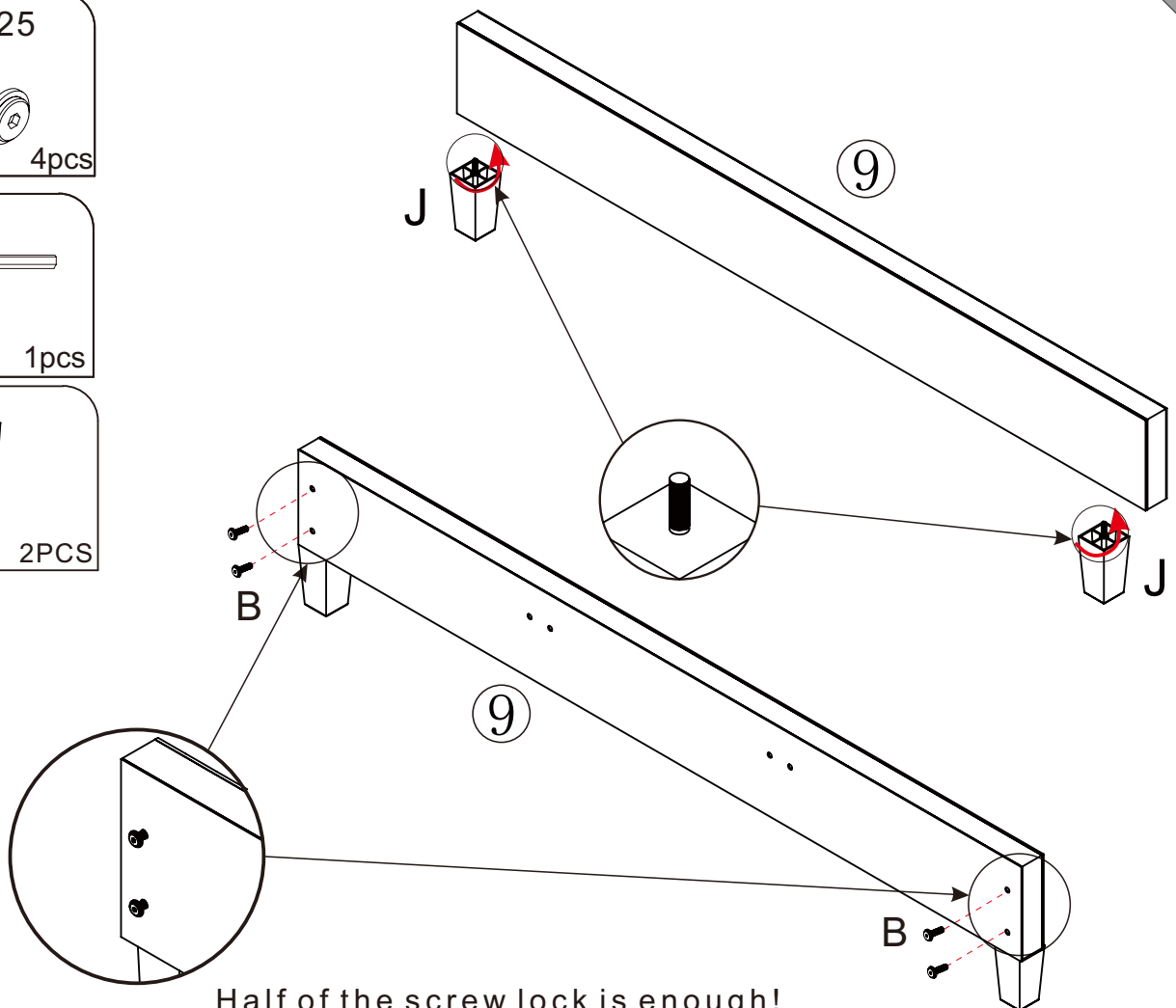
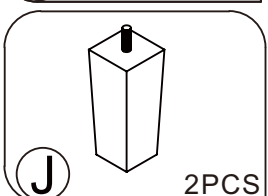
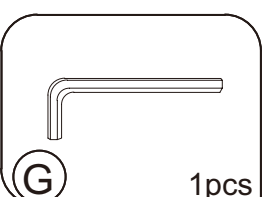
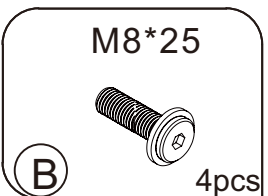
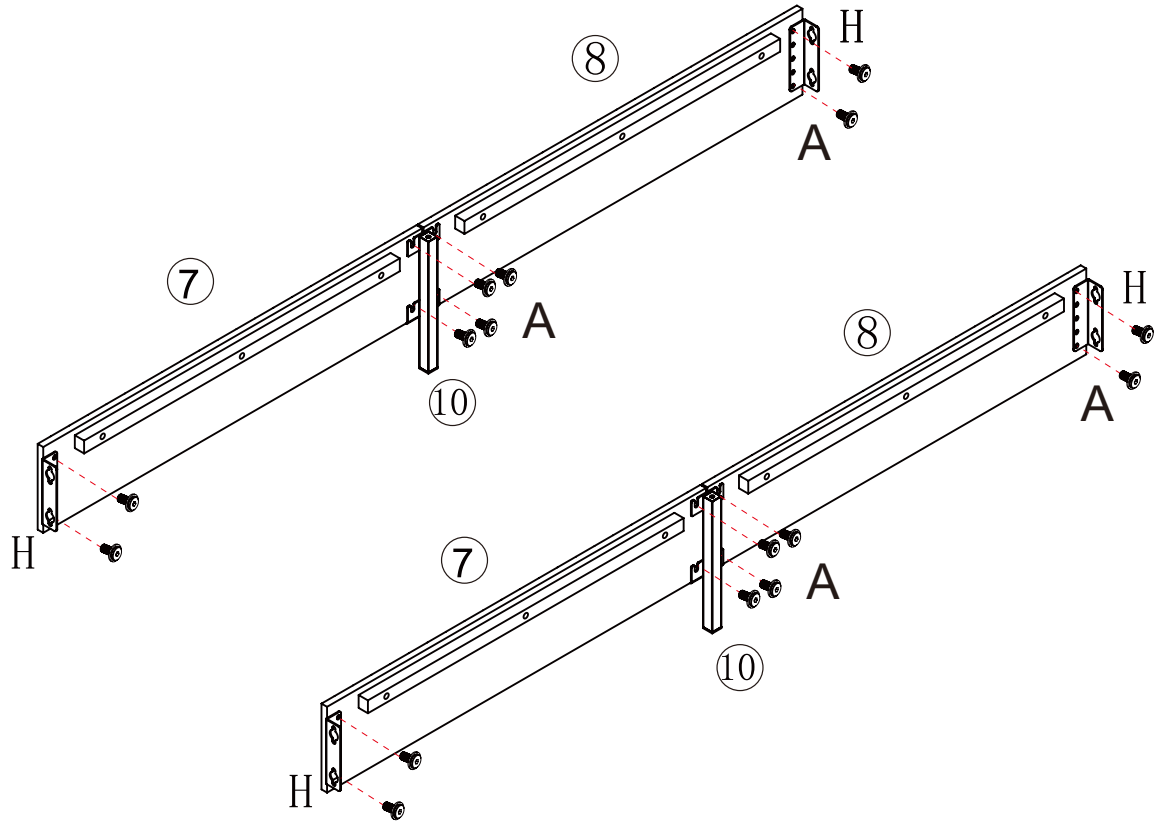
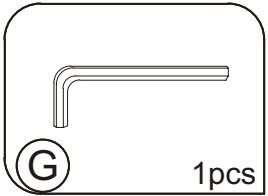
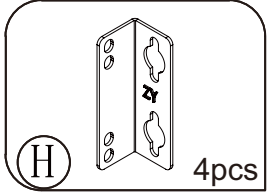
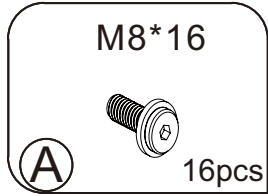




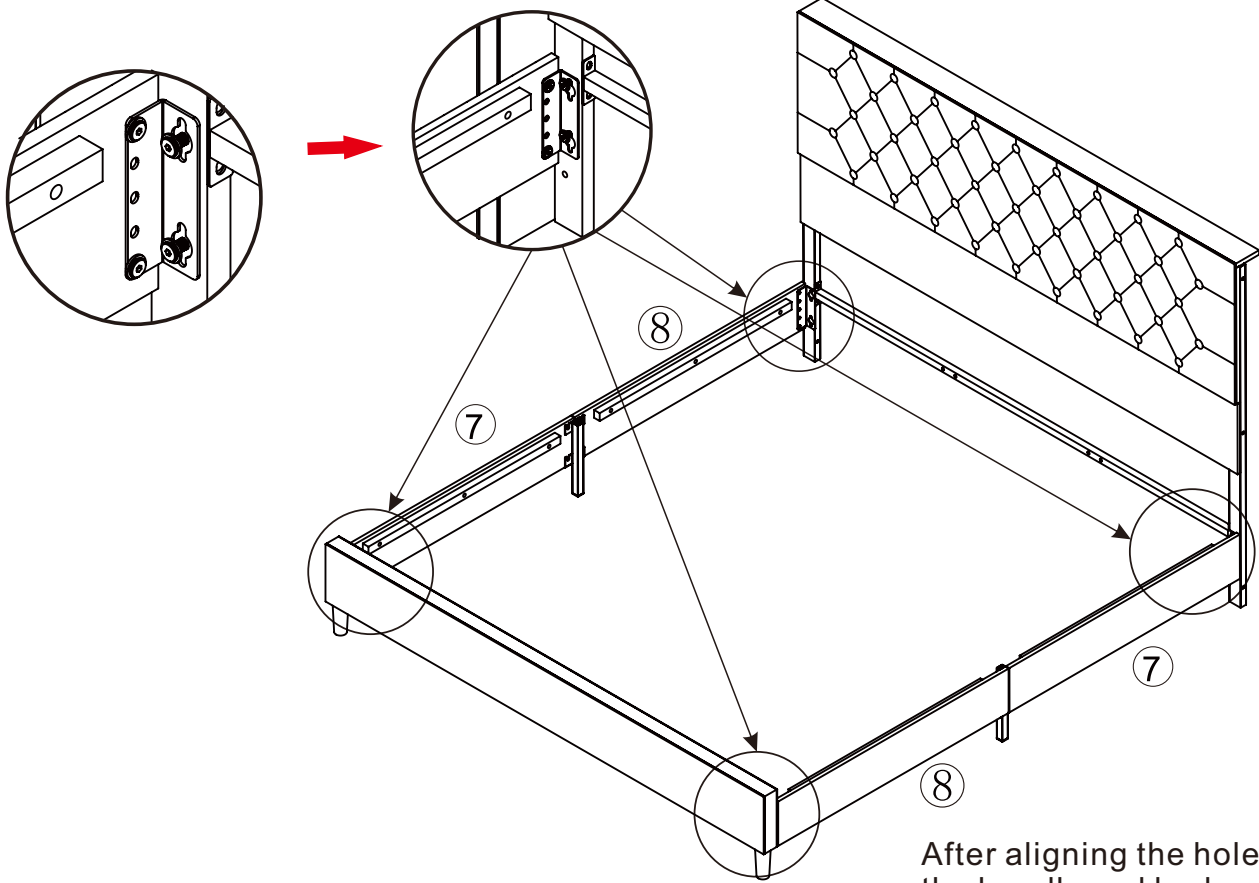
It is recommended to install the head of the bed flat on a clean floor



Half of the screw lock is enough!

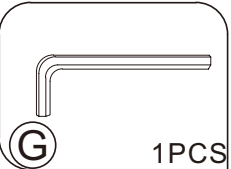


Half of the screw lock is enough!

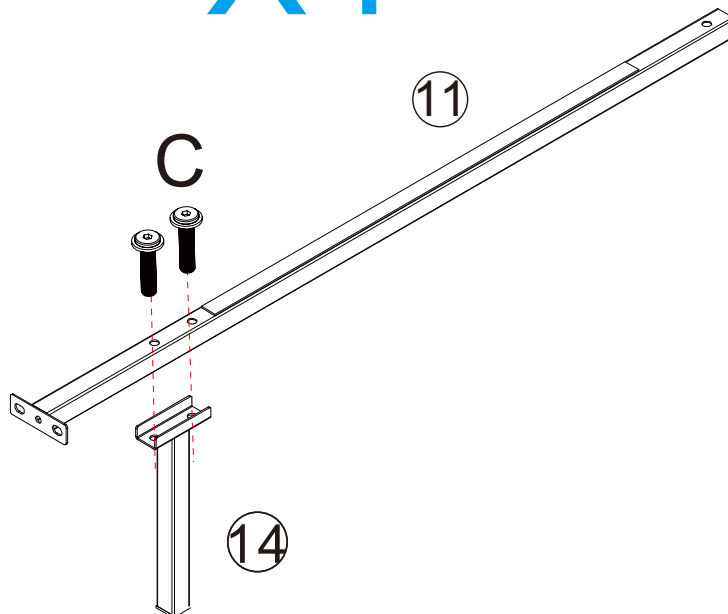


After aligning the holes, reinforce the headboard bed screws!

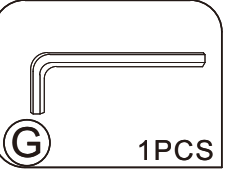
M8*35



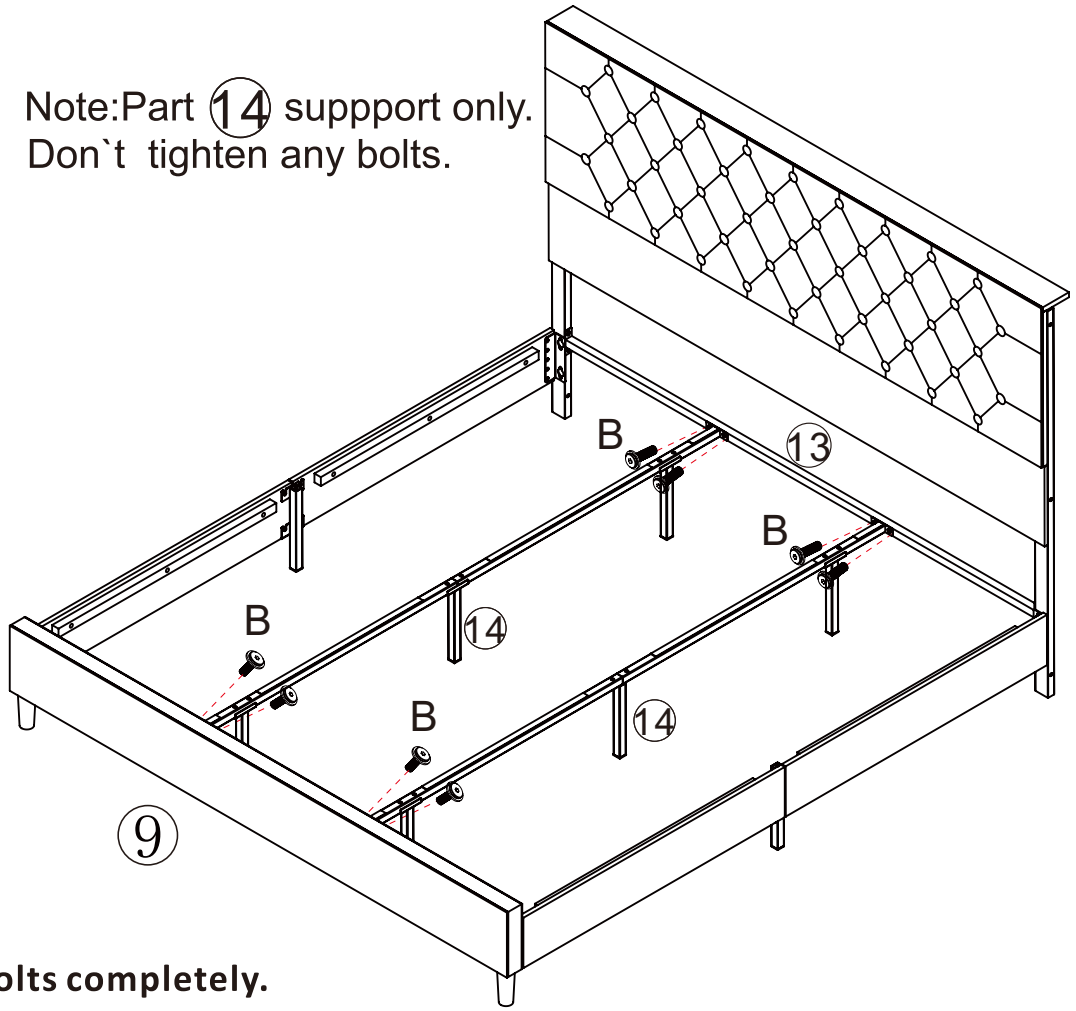
X4



M8*25

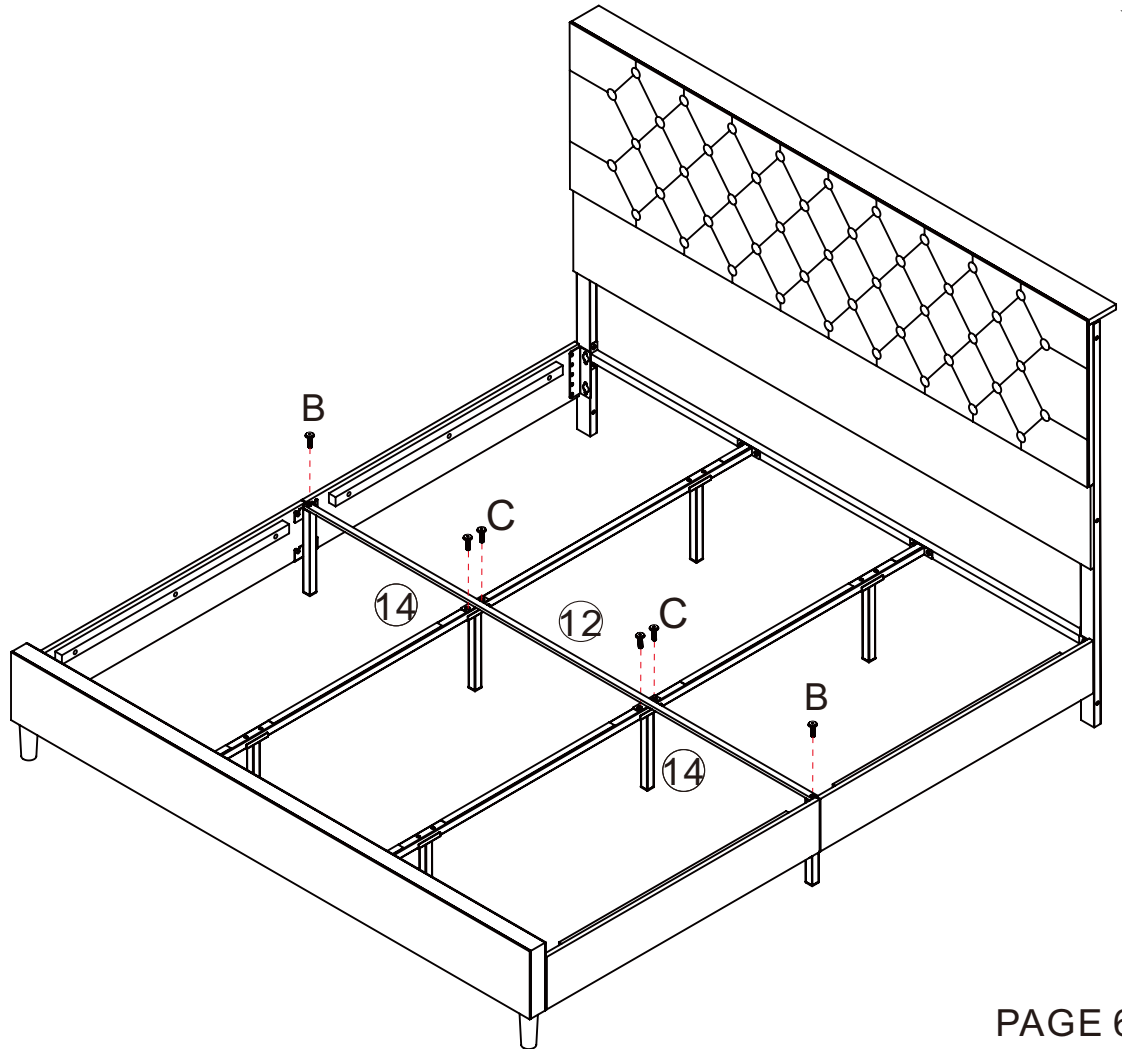
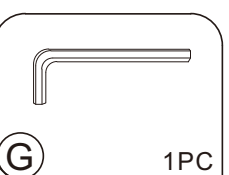
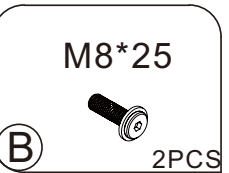


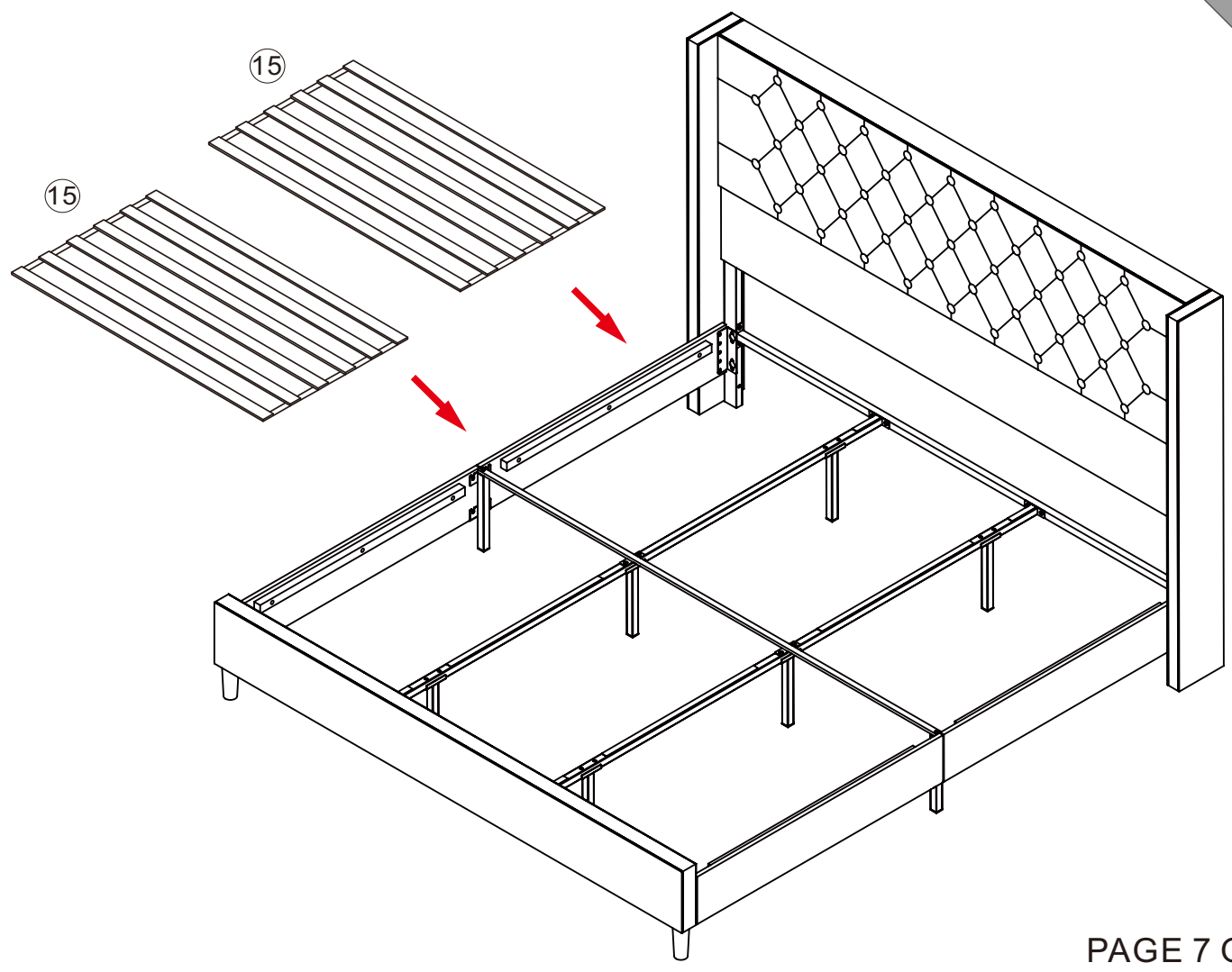
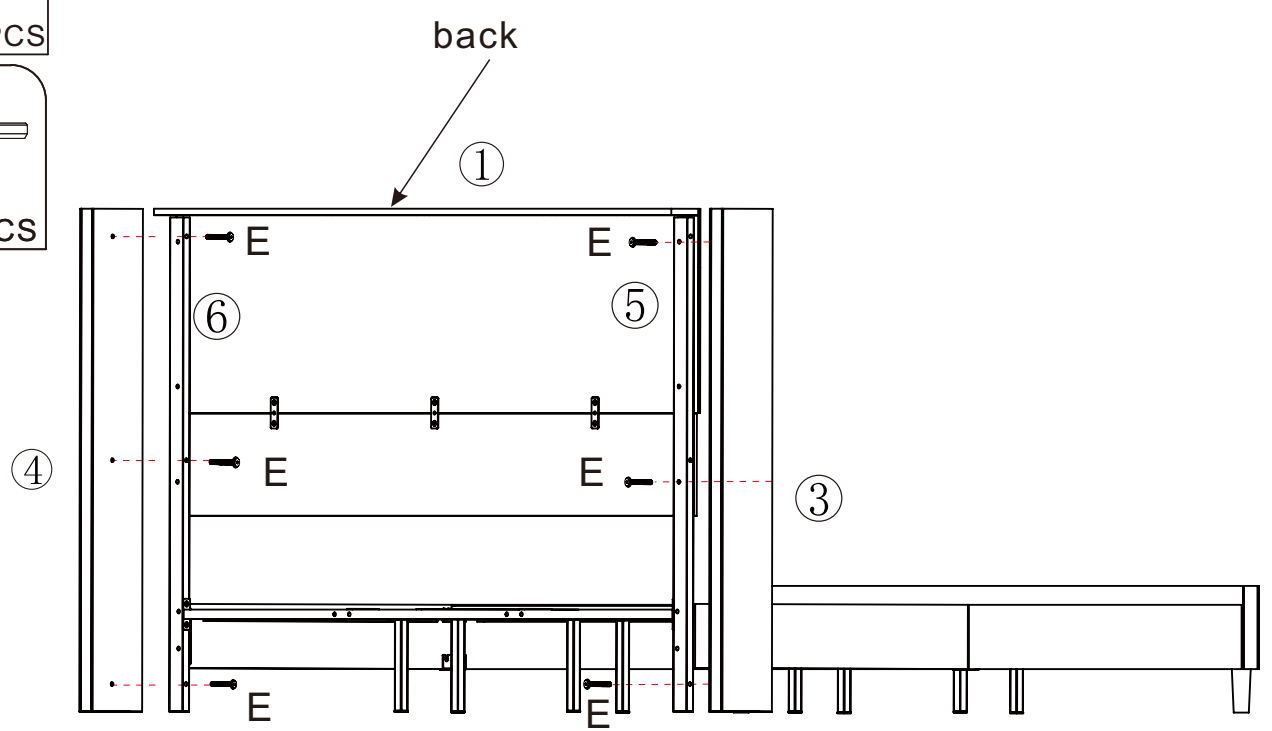
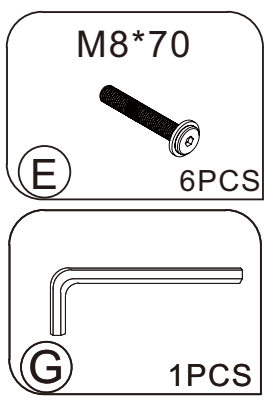
Note: Part 14 support only.
Don't tighten any bolts.



※ Tighten all bolts completely.

M8*35





THANK YOU

We hope you enjoy your new purchase.

We have personally inspected this product.

In the event that you need any additional help for any reason,

Please do not hesitate to contact us