






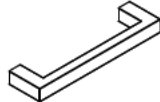



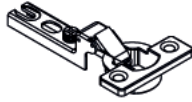

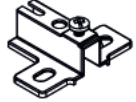







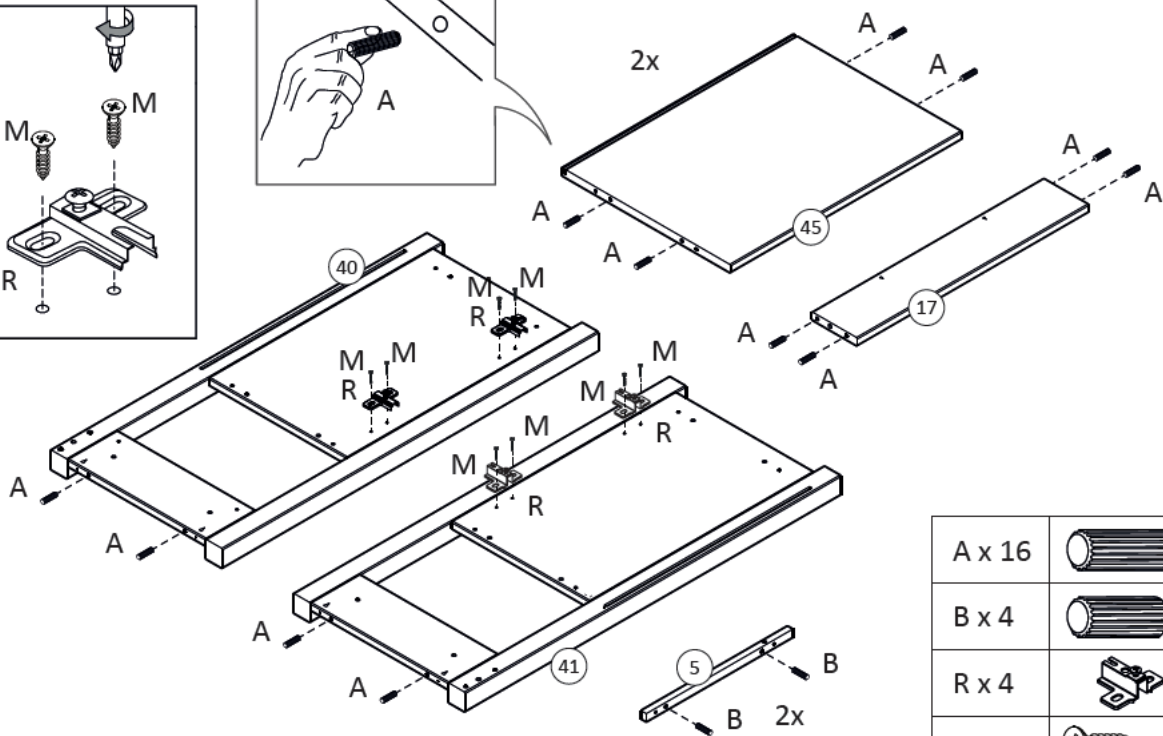
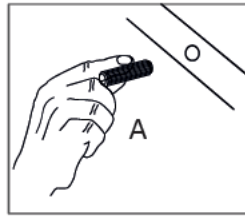
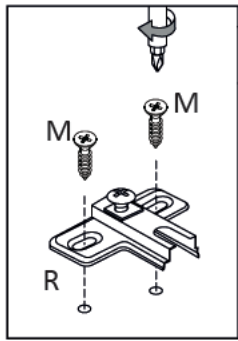
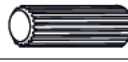
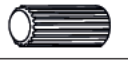




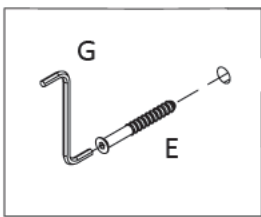
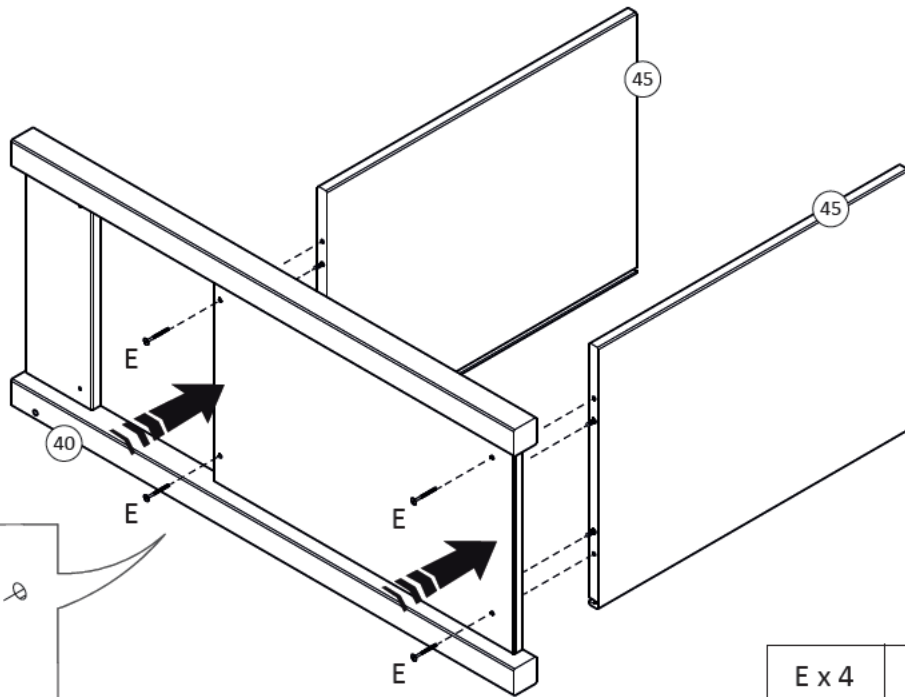
A x 16		$\phi 6 \times \frac{30}{1.2}$	L x 2		
B x 4		$\phi 6 \times \frac{15}{0.6}$	M x 20		$\phi 3 \times \frac{16}{0.6}$
C x 4		$\phi 6 \times \frac{40}{1.6}$	N x 12		$\phi 4 \times \frac{30}{1.2}$
D x 20		$\phi 4 \times \frac{25}{1.0}$	O x 1		
E x 8		$\phi 5 \times \frac{40}{1.6}$	P x 2		$\phi 4 \times \frac{40}{1.6}$
F x 2		$\phi 7 \times \frac{70}{2.8}$	Q x 4		
G x 1			R x 4		
H x 6		$\phi 4 \times \frac{30}{1.2}$	T x 2		
I x 2			U x 2		
J x 2					
K x 16		$\phi 3 \times \frac{20}{0.8}$			$\frac{\text{mm}}{\text{inch}}$ x 2



1



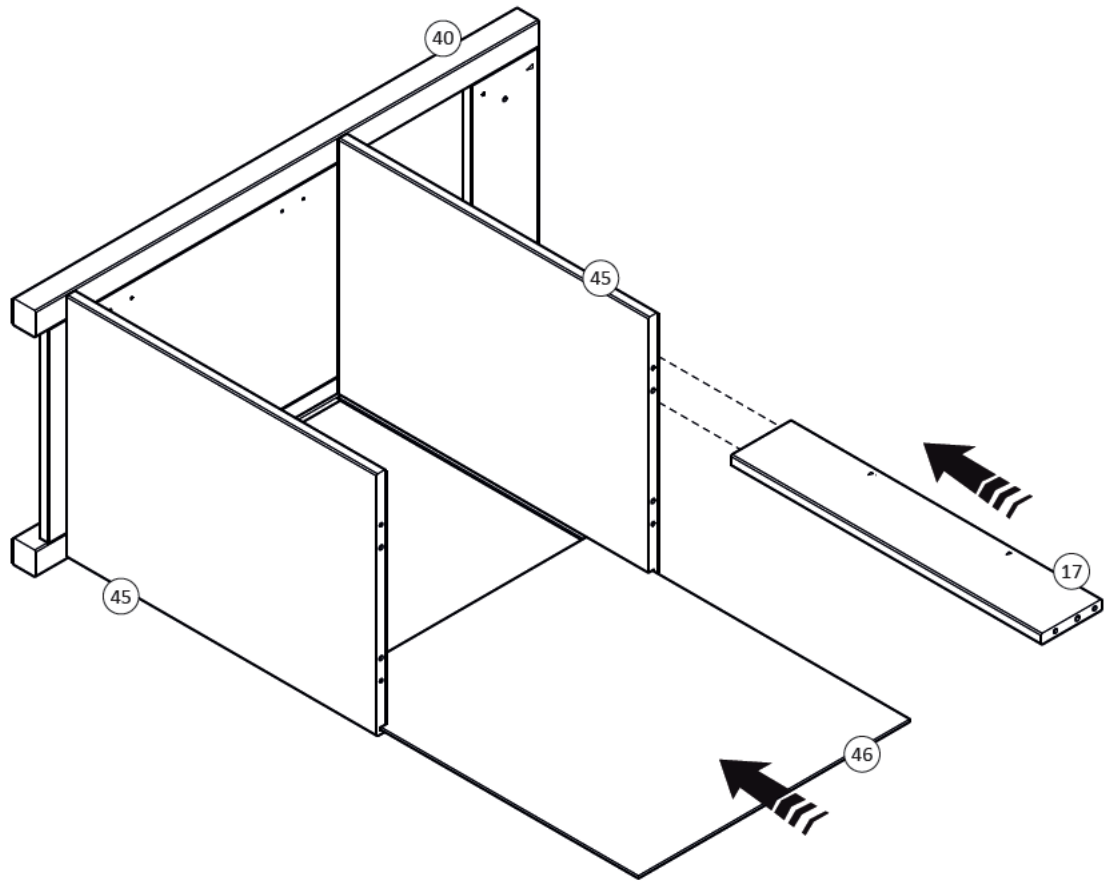
A x 16		$\phi 6 \times \frac{30}{1.2}$
B x 4		$\phi 6 \times \frac{15}{0.6}$
R x 4		
M x 8		$\phi 3 \times \frac{16}{0.6}$

2

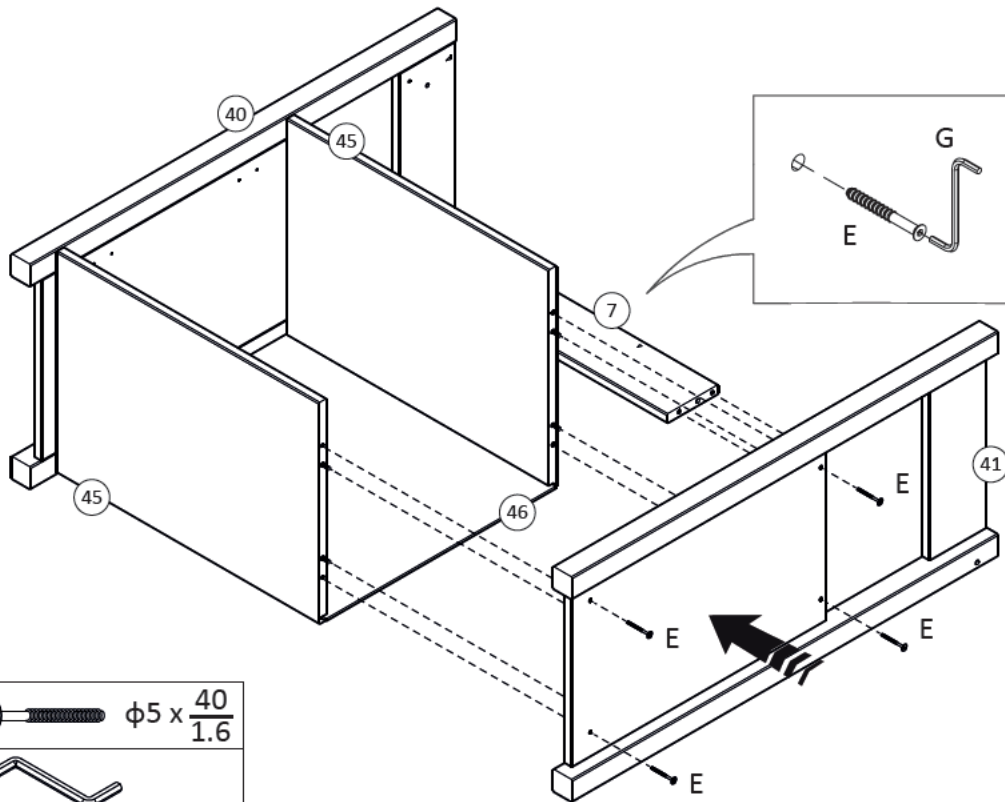




E x 4		$\phi 5 \times \frac{40}{1.6}$
G x 1		

3



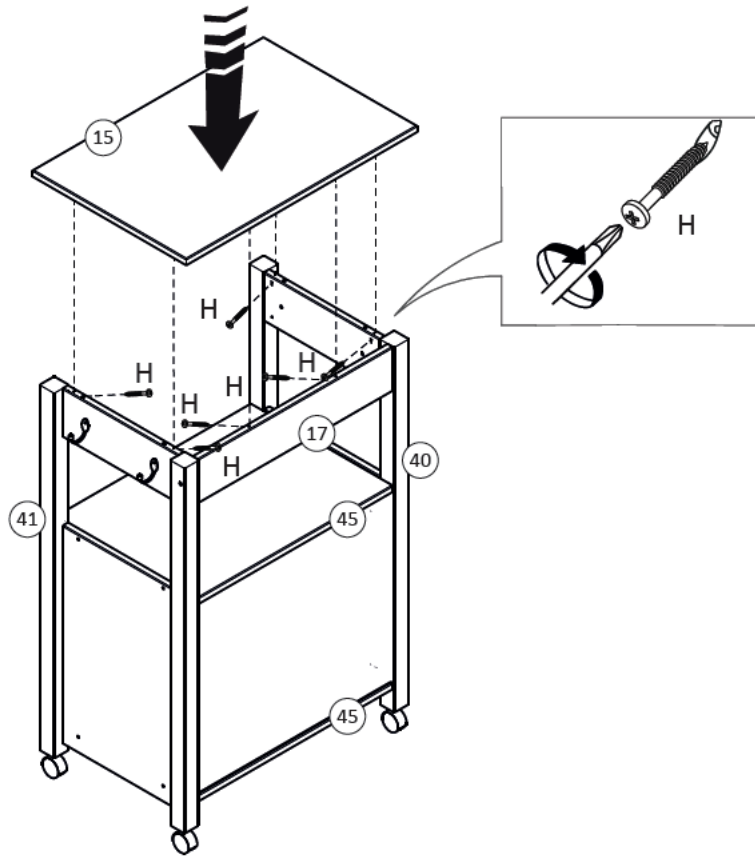
4




E x 4	 $\phi 5 \times \frac{40}{1.6}$
G x 1	

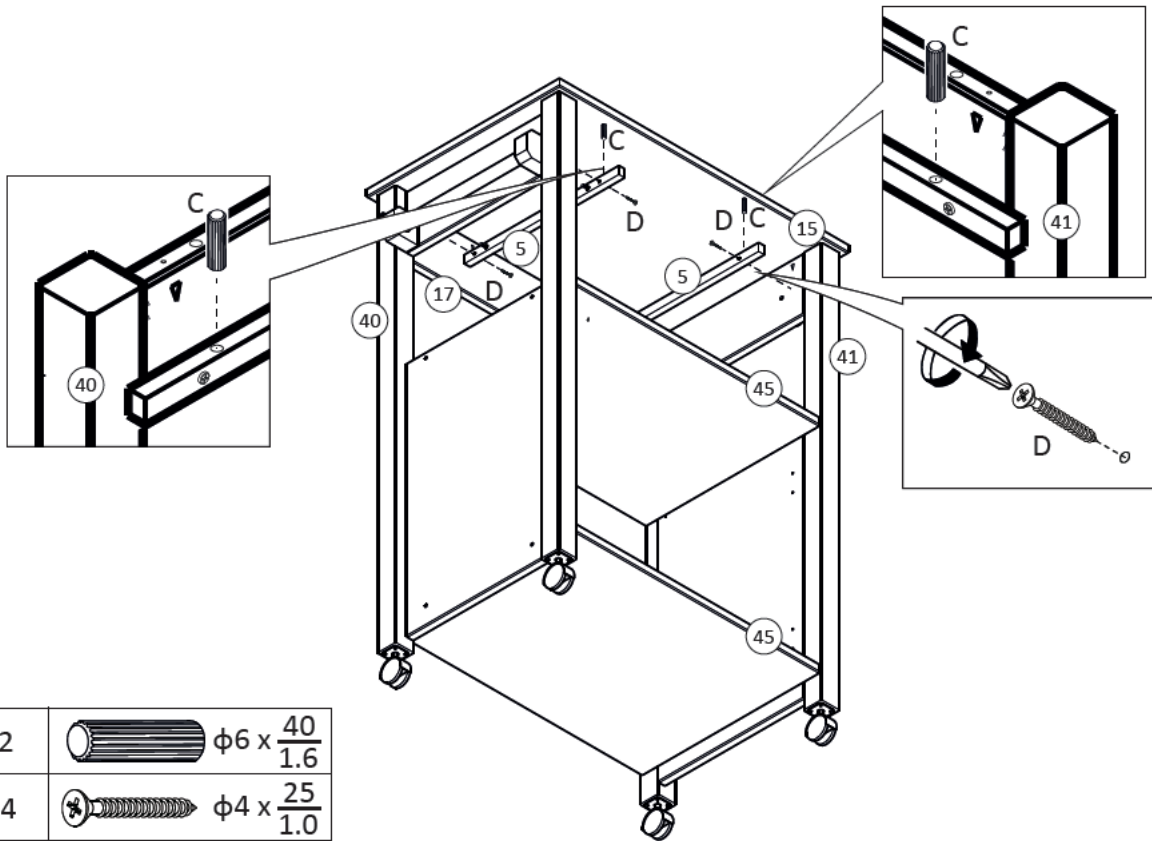




7

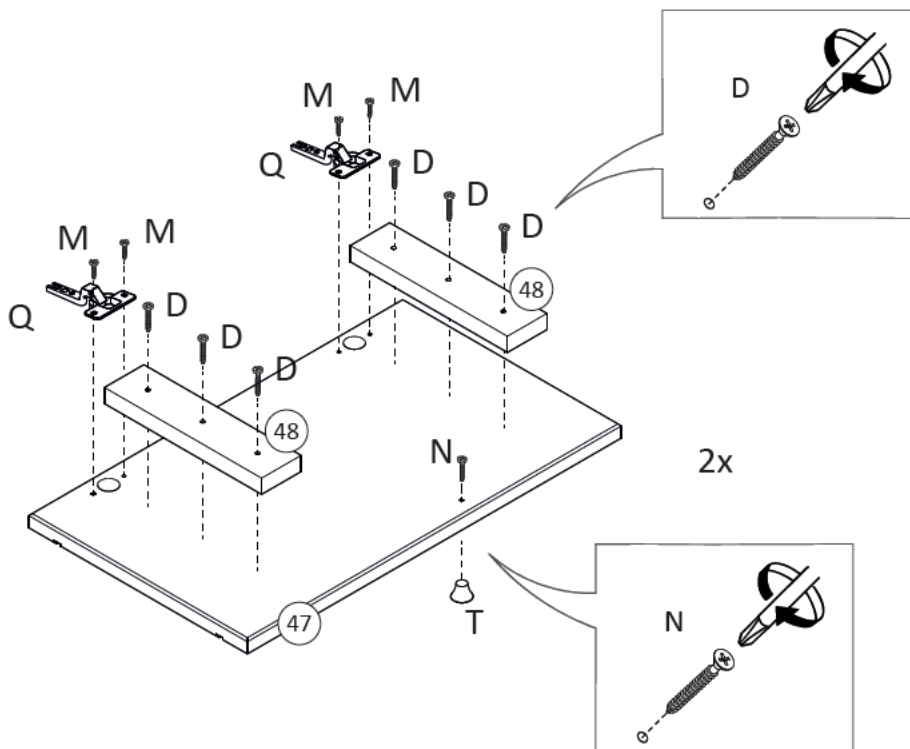
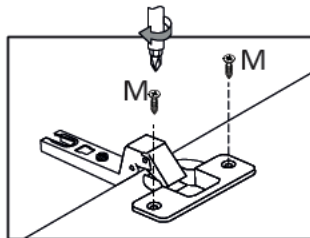
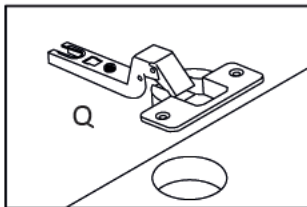







H x 6		$\phi 4 \times \frac{30}{1.2}$
-------	---	--------------------------------

8

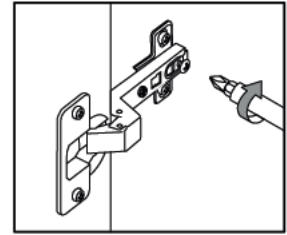
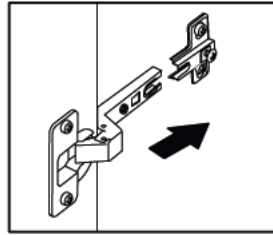
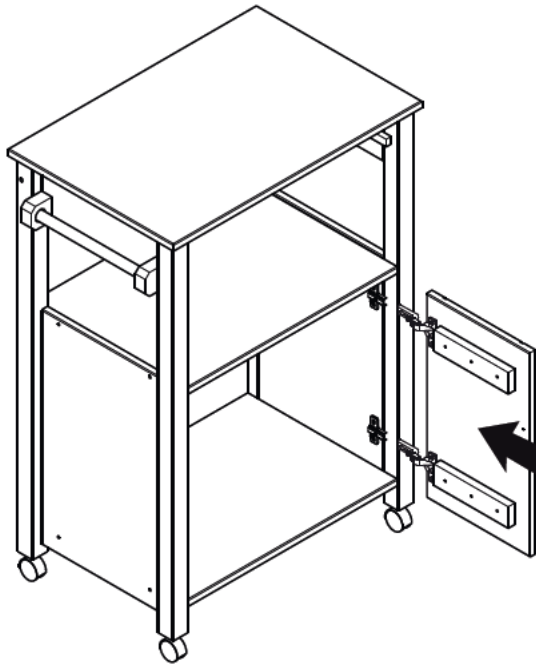


C x 2		$\phi 6 \times \frac{40}{1.6}$
D x 4		$\phi 4 \times \frac{25}{1.0}$

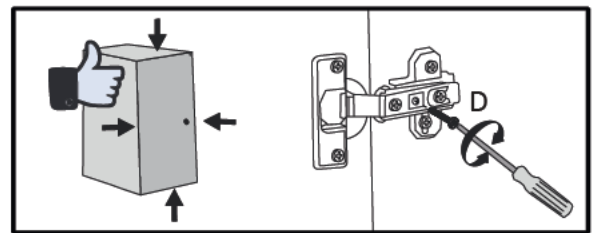
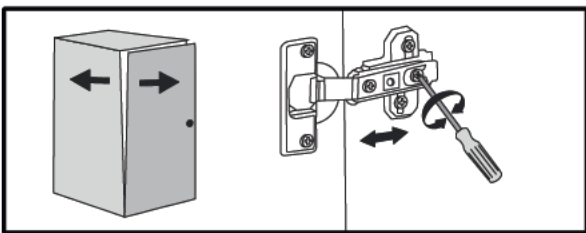
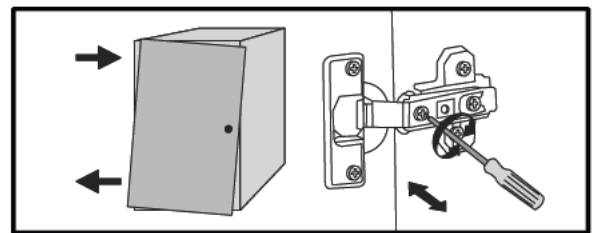
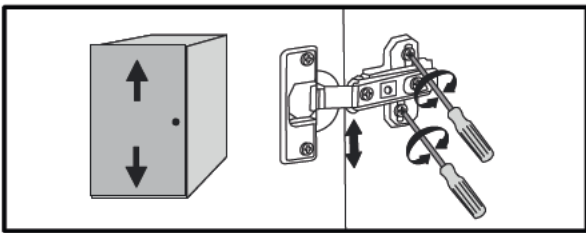
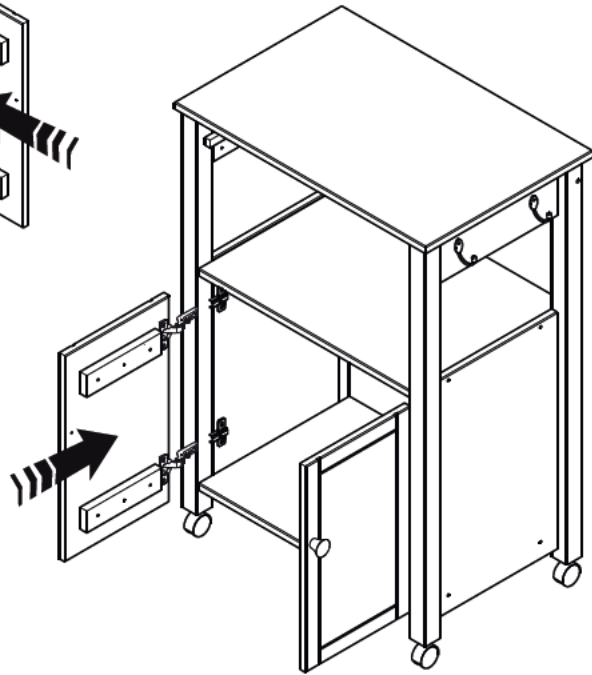



D x 12		$\phi 4 \times \frac{25}{1.0}$
N x 2		$\phi 4 \times \frac{30}{1.2}$
Q x 4		
M x 8		$\phi 3 \times \frac{16}{0.6}$
T x 2		

a:

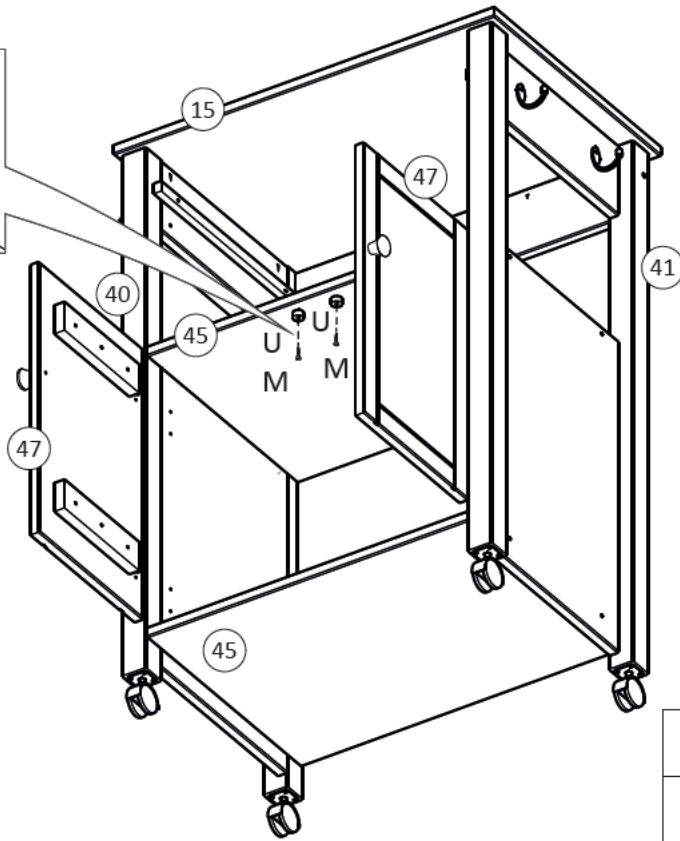
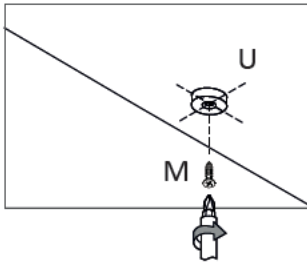


b:



D x 4   $\phi 4 \times \frac{25}{1.0}$

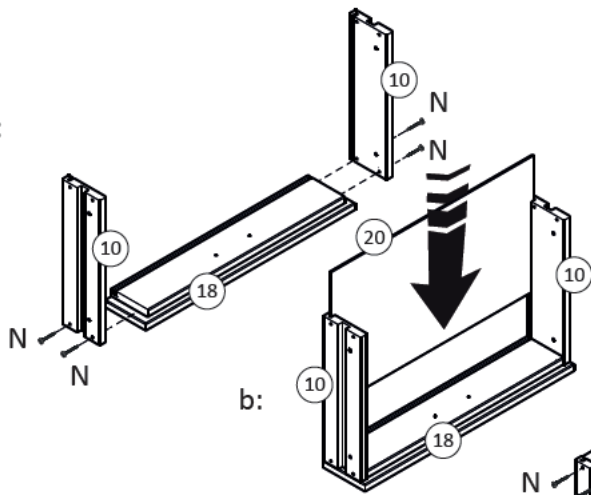
11



M x 2		$\phi 3 \times \frac{16}{0.6}$
U x 2		

12

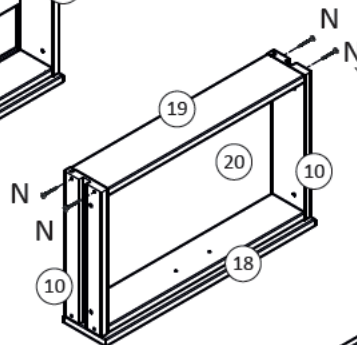
a:



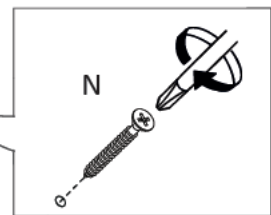
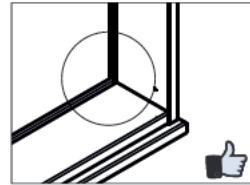
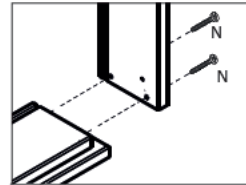
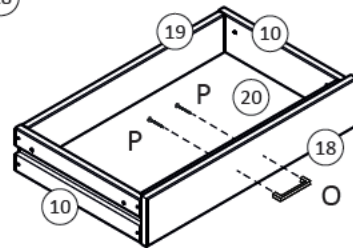
b:



c:

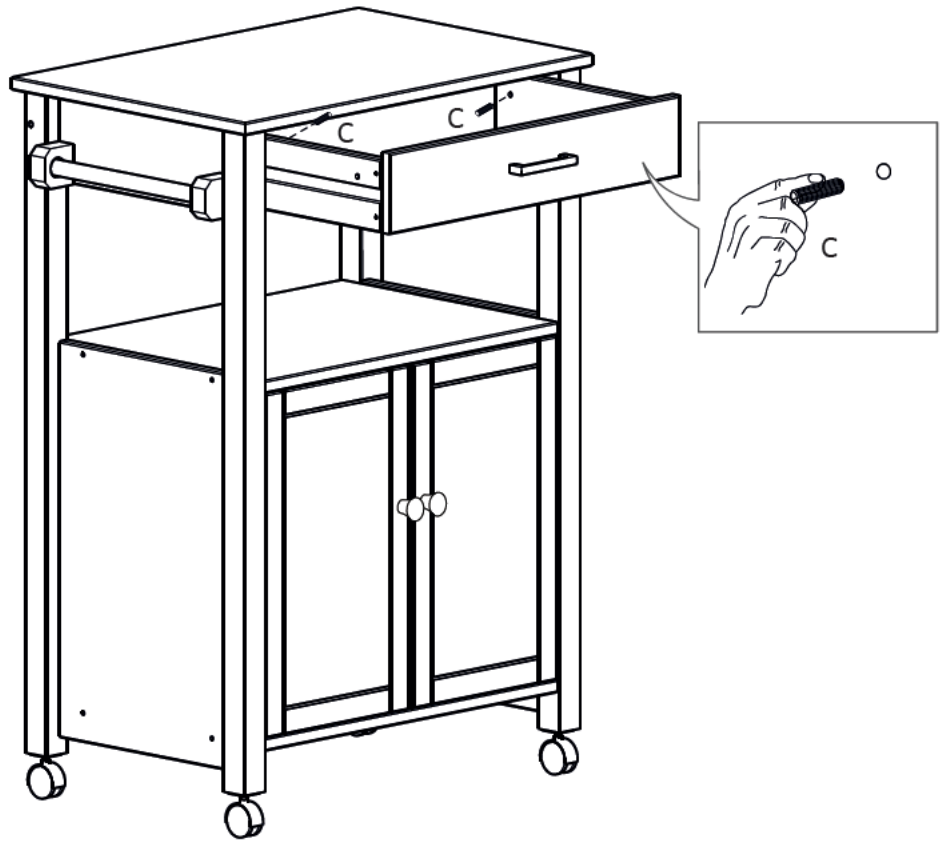


d:



N x 8		$\phi 4 \times \frac{30}{1.2}$
O x 1		
P x 2		$\phi 4 \times \frac{40}{1.6}$

13



14

