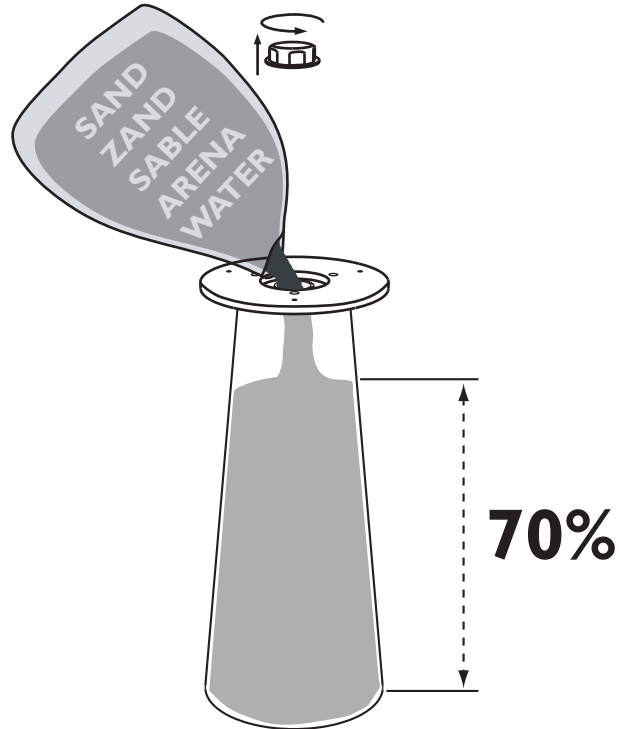


# m o o o i

Container Table Foot

1



## PREPARATIONS (1)

Remove the cap and fill the base to approx. 70%. For best stability Moooi advises the use of sand or gravel to fill. Alternatively you can use water\*

Please take the following volumes into account;

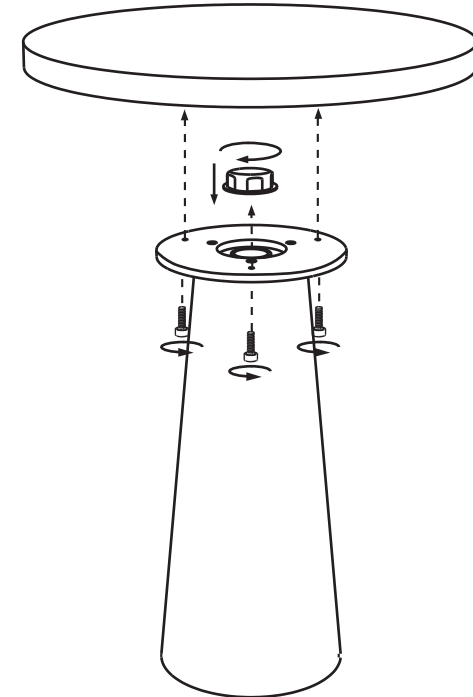
**7130**  
71 x 30 (hxd), approx. 28 liter of filling required

**7143**  
71 x 43 (hxd), approx. 63 liter of filling required

**7156**  
71 x 56 (hxd), approx. 105 liter of filling required

**10630**  
106 x 30 (hxd), approx. 24 liter of filling required

2



## INSTALLATION (2)

Seal the foot with the cap and mount the top by screwing the included bolts in the inserts of the bottom side of the table top, through the foreseen holes of the top rim of the foot. Use the included allen key.

7130 & 10630; 3x M6x20 stainless steel bolt

7143 & 7156; 6x M6x20 stainless steel bolt

## \*ADVICE ON FILLING WITH WATER

The use of water or any other liquid is not preferred, however when this is the only option add anti-algae and / or when used outdoors anti-freeze. Follow the instructions included with these products.