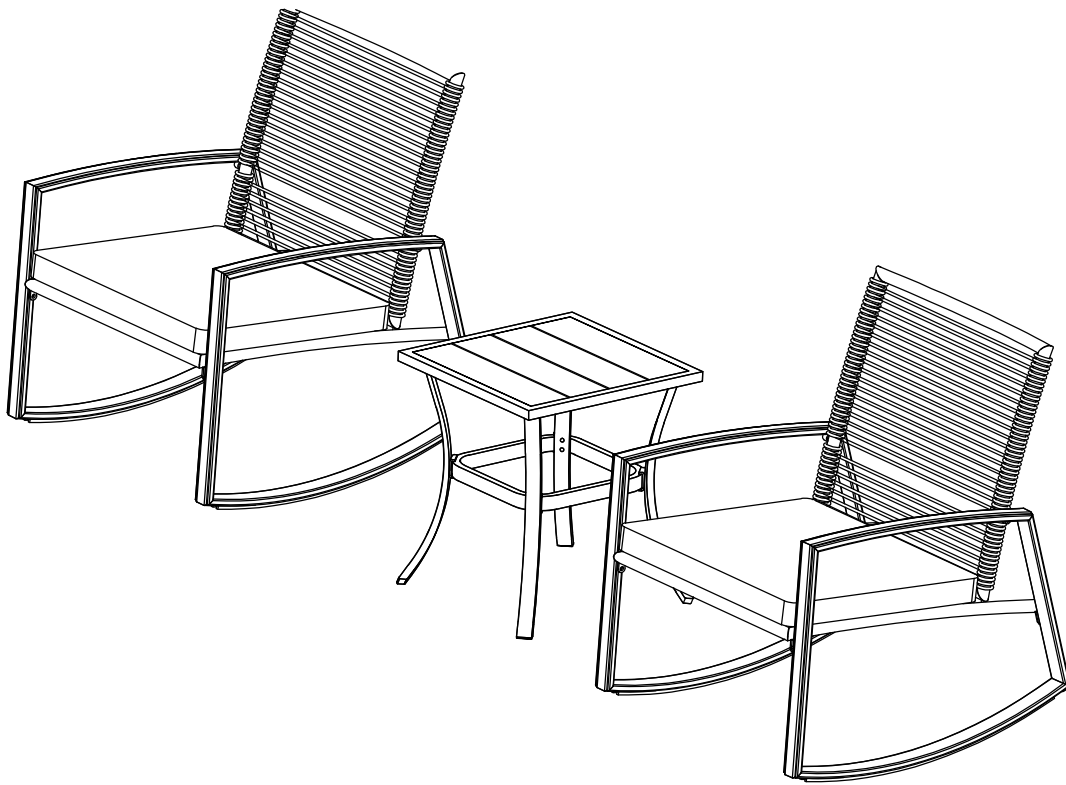




Patio Bistro Set

ASSEMBLY MANUAL



MODEL#: LCCR0470A+LTCTF5387

Missing part? Damaged? Contact us via email at

service@domioutdoorliving.com

www.domioutdoorliving.com

© Copyright 2023–2025 domi LLC. All Rights Reserved.

General Guidelines

- Please read the following instructions carefully and use the product accordingly.
- Please keep this manual and hand it over when you transfer the product.
- This summary may not include every detail of all variations and considered steps. Please contact us when further information and help are needed.
- Any question, please contact our customer service.

Notes

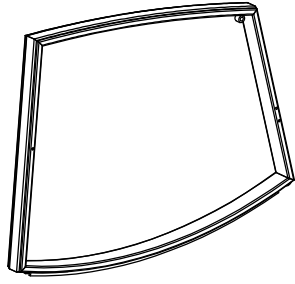
- Personal injury and/or damage to the product may occur if products are used outside of their intended purposes and/or if products have been changed/modified from their original design. The product must be assembled and used in accordance with the provisions of the manual. The seller does not assume any responsibility or liability with respect to any damage caused by incorrect assembly or improper use.
- Carefully check accessories when opening the package. If anything is missing or damaged, please contact us immediately.
- **Please do not force or over tighten the nuts. If a nut becomes stuck, unscrew it and start again.**
- **Keep in mind that not to tighten screw until you fully set up ,After set up, fully tighten screws.**
- Please keep all the packaging for the product until you are satisfied with your purchase as we cannot accept any returned item not in the original packaging.
- Please ensure that you have sufficient space and people to assemble the item.
- Do not tighten all the screws before completing the installation

Warnings

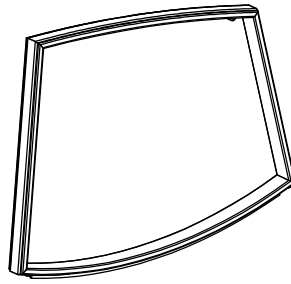
- Keep children away when assembling the product. Small parts are included in the package; they may be fatal if swallowed or inhaled.
- To avoid the potential dangers of suffocation, please keep all parts and packaging (film, plastic bags, foam, etc.) away from babies and children.
- Tighten all components securely before use. Failure to do so may result in personal injury.

Daily Maintenance

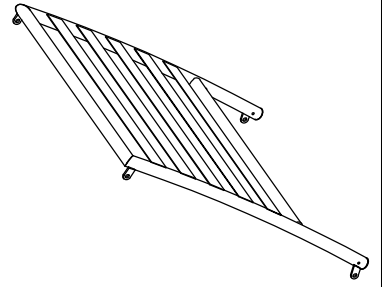
- Sweep surfaces as needed using a soft-bristle brush.
- Store outdoor furniture indoors or cover well when not in use. Whether you live in a mild or harsh climate, using patio furniture covers will prolong the life of your furniture and keep it looking like new.
- To extend the life of your outdoor cushions and pads, clean them regularly. Store away when not in use, preferably in a cool, dry place indoors. Ensure the cushions are completely dry before storing.



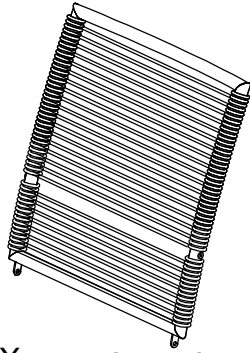
A 2X Right Arm Rest



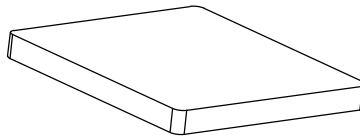
B 2X Left Arm Rest



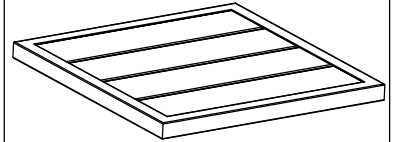
C 2X Seat Pad



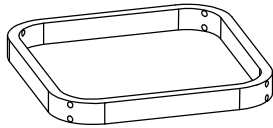
D 2X Back Pad



E 2X Base Cushion



F 1X Table Top



G 1X Leg Brace

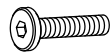


H 4X Table Leg



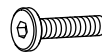
M6X35

I 4X



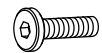
M6X24

J 4X



M6X22

K 8X



M6X16

L 16X



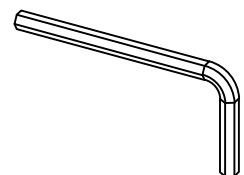
D6

M 32X Washer

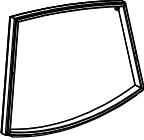
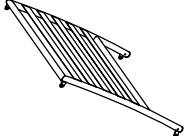





D6

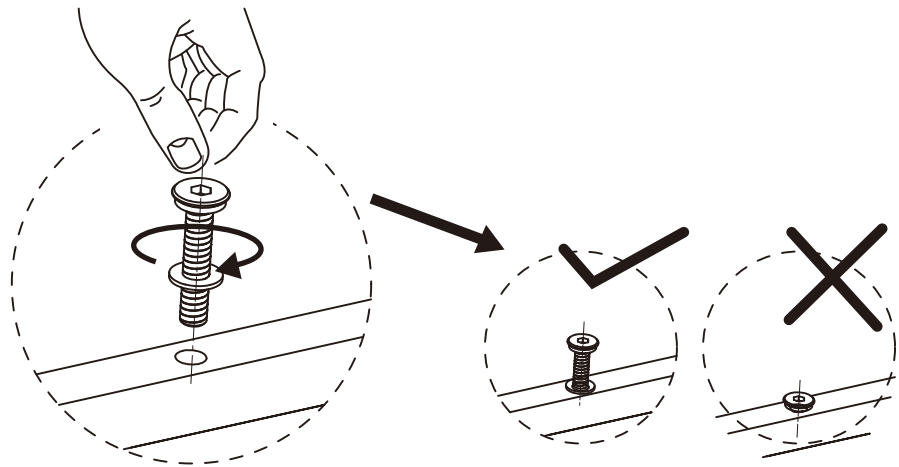
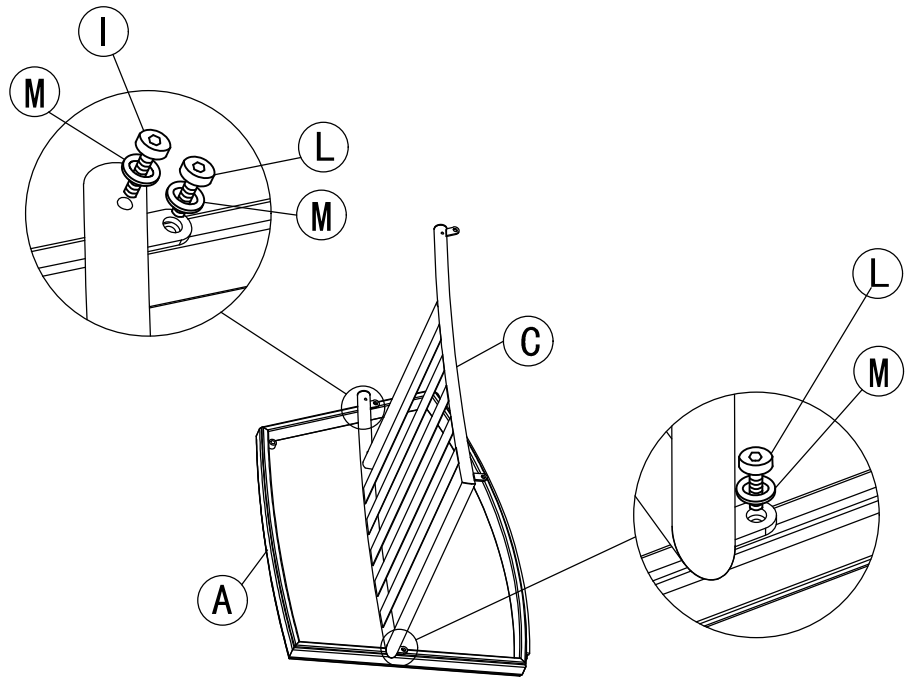
N 32X Plastic Cap



O 1X Allen key

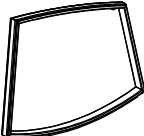
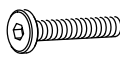
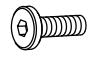
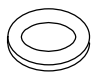
A		1X
C		1X
I	 M6X35	1X
L	 M6X16	2X
M	 D6	3X

RIGHT ARM ASSEMBLY:

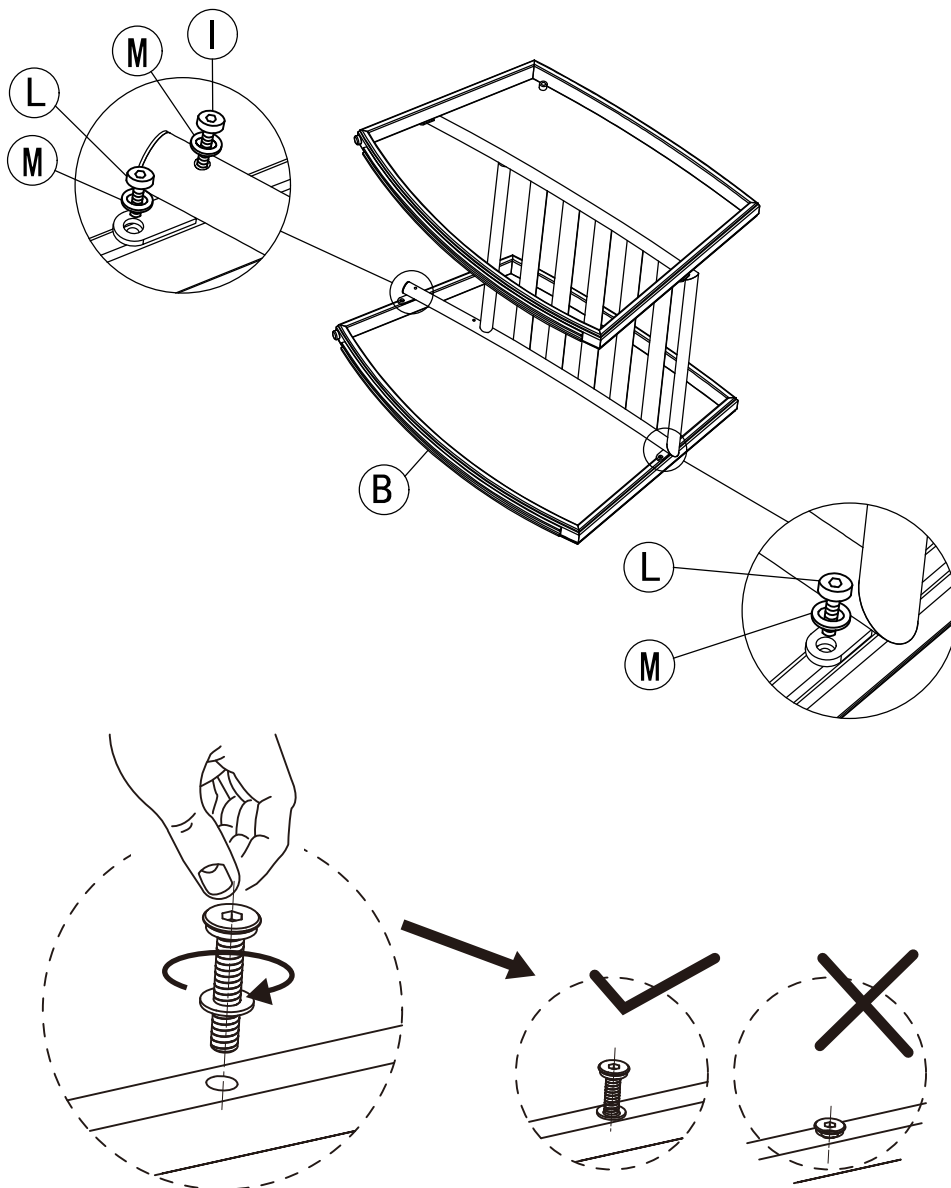


Tips:

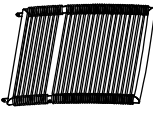
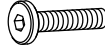


Do not tighten all screws fully until the item is well assembled.

B		1X
I	 M6X35	1X
L	 M6X16	2X
M	 D6	3X

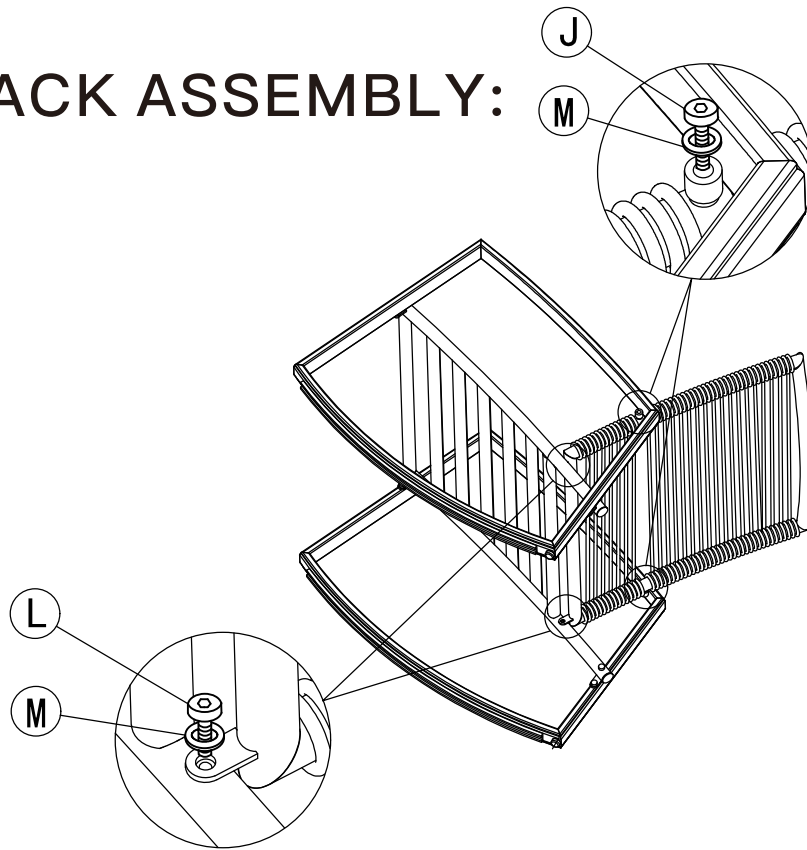
LEFT ARM ASSEMBLY:



Tips:
Do not tighten all screws fully until the item is well assembled.

D		1X
J	 M6X24	2X
L	 M6X16	2X
M	 D6	4X

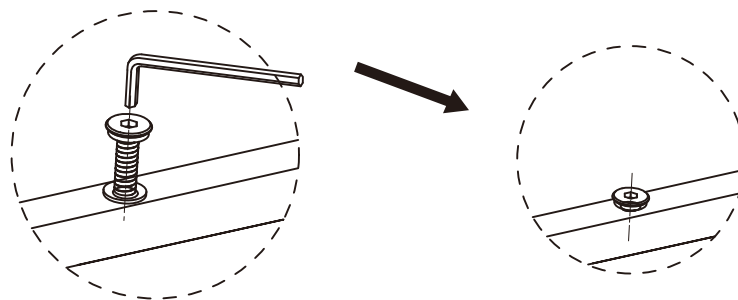
BACK ASSEMBLY:



Tighten all the bolts into place.

NOTE: IF ANY BOLT HOLES CANNOT BE ALIGNED, LOOSEN

ALL THE BOLTS, GO BACK TO THE FIRST STEP, AND RESTART ASSEMBLY.



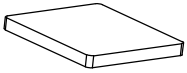
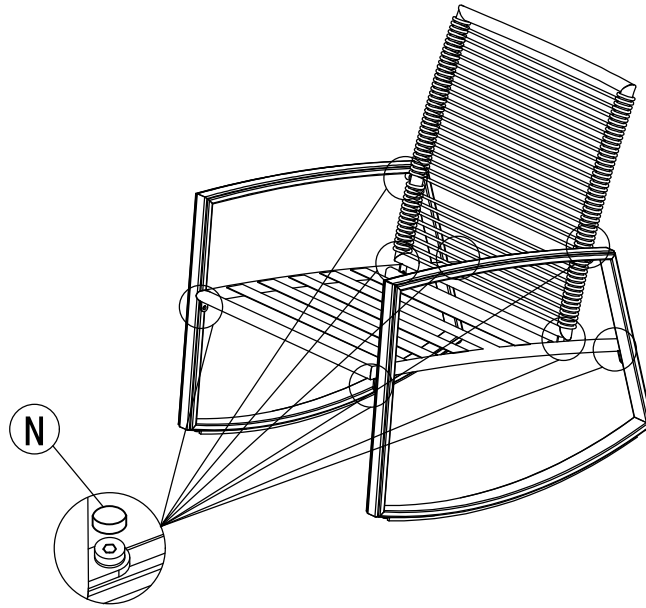


D6

N

10X

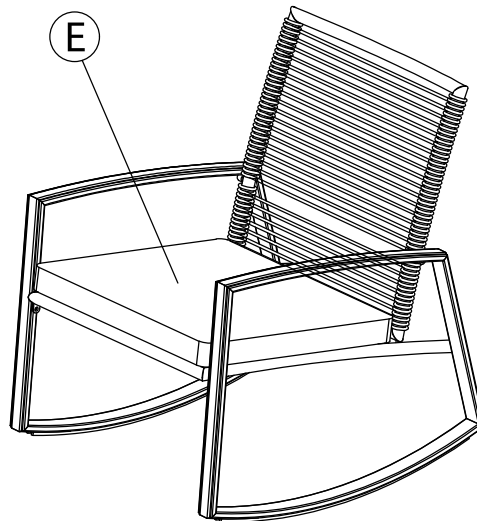
Cover with the plastic caps

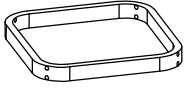


E

1X

Place the Seat Cushion on the Seat.

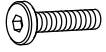




G 1X



H 4X



M6X22

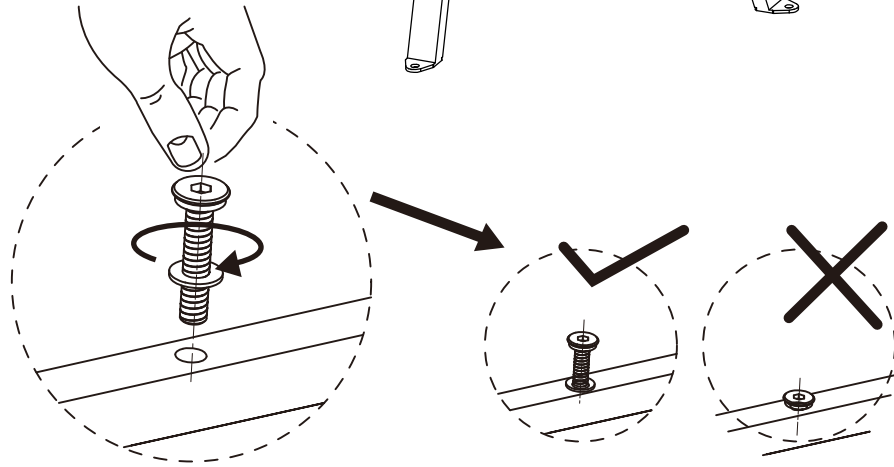
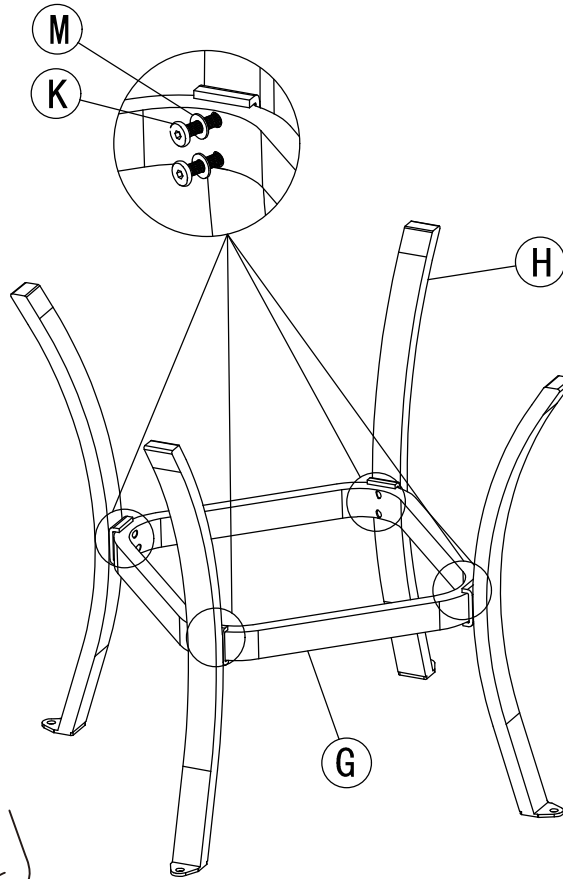
K 8X



D6

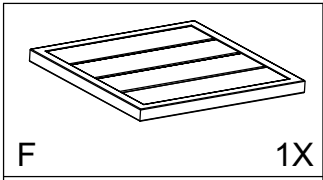
M 8X

TABLE ASSEMBLY:

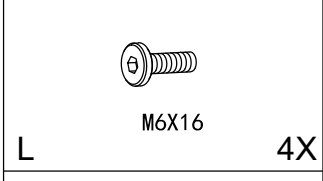


Tips:

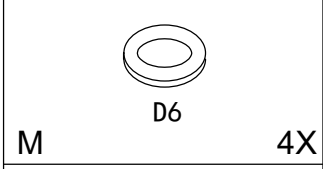
Do not tighten all screws fully until the item is well assembled.



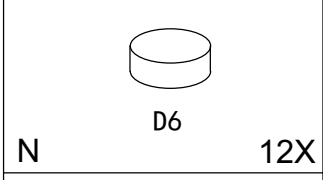
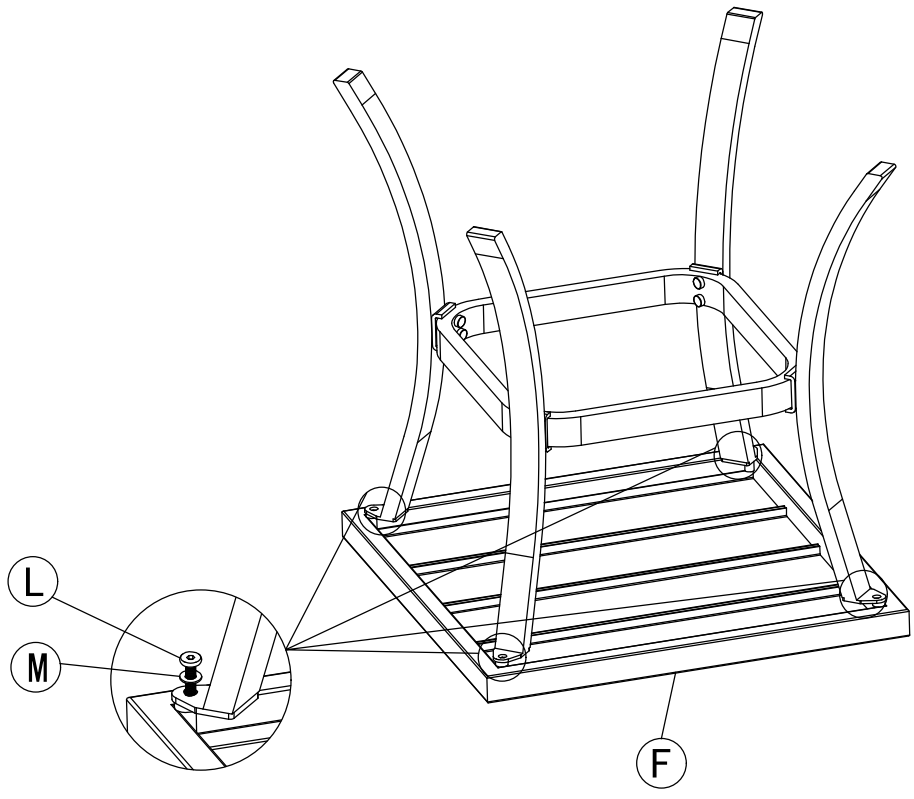
F 1X



L M6X16 4X

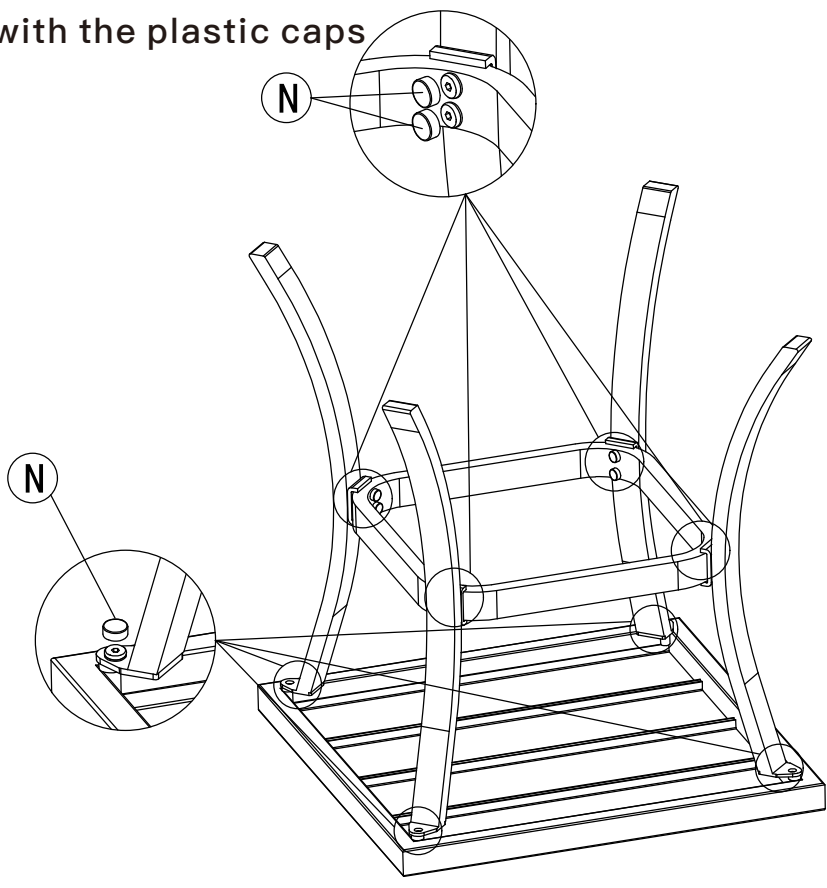


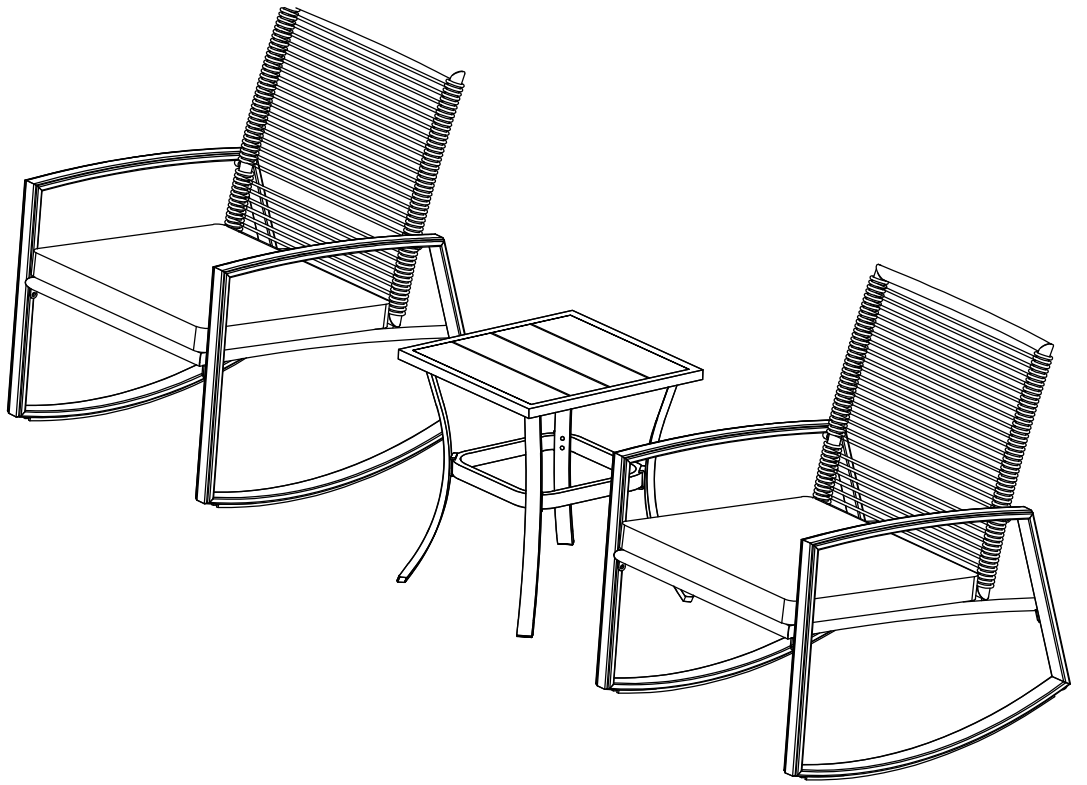
M D6 4X



N D6 12X

Tighten all the Bolts into Place.
Cover with the plastic caps







Thanks for your purchase.

At domi outdoor living, we believe in our products.

That's why we provide a 12-month warranty and friendly, easy-to-reach after-sales service. So, if you have any questions about our product or assembly, please feel free to contact us. We are here for you.

Support:  

After-sales contact email:

service@domioutdoorliving.com

Business cooperation contact email:

marketing@domioutdoorliving.com

Please have your order ID available if you reach out for support.

If you have damaged parts or product, please send us photos for an immediate response.