

Installation & Assembly



TOOLS REQUIRED



**Phillips
Screwdriver**
(Not Included)



**2 - People
Recommended**

ASSEMBLY RATING



EASY —————> DIFFICULT

The Assembly Rating is a 5-point system showing the level of effort needed to assemble a specific product.



CHECK BEFORE STARTING

Are you missing anything?

Double-check all parts, hardware and accessories listed are all accounted for.

Check out our Quick Tips!

We recommend reviewing the pre-assembly handouts. Even experts need a refresher now and then!

Should we send any replacements?

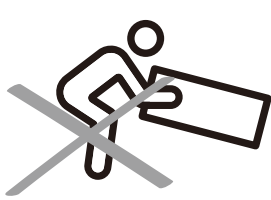
Are there any irregularities or flaws in the parts? We can send replacements!

Prep Time!

Please review the assembly instructions and all diagrams prior to assembling. Arrange parts as recommended on Page 7 and group identical hardware together to make assembling easier.

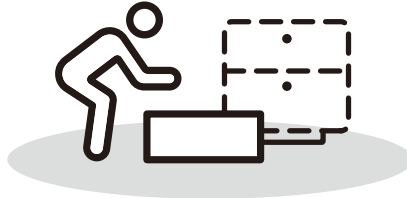
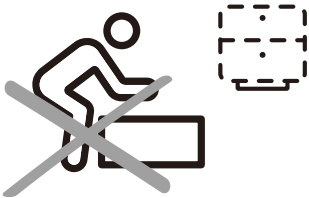
PRE ASSEMBLY INTRODUCTION

We understand building ready-to-assemble furniture can be a challenging experience for some. To help avoid confusion, we have provided some helpful tips that may speed up the process.



Teamwork

ALWAYS have at least two people to help with transporting and assembling the product to avoid potential injury and/or damage.



Suitable Location

Assembling near the area of the intended location is highly recommended.



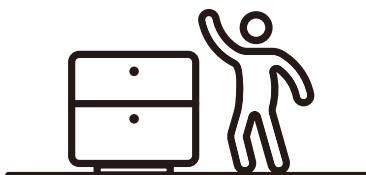
Sufficient Space

Make sure you have enough space to move around during the assembly.



Avoid Scratches

Use cardboard, blankets or a carpeted area while assembling furniture to prevent scratches.



Flat Surface

Make sure the furniture rests on a flat and level surface with each leg evenly touching the floor.

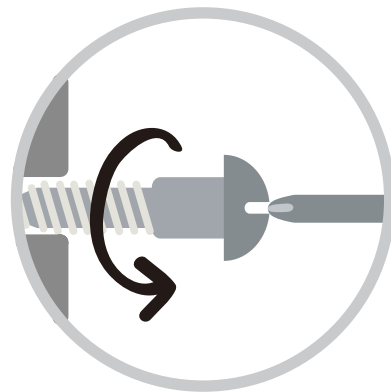
ASSEMBLY AND CARE ADVICE



**FAILURE TO FOLLOW THE GUIDELINES BELOW MAY
RESULT IN INJURY AND/OR PROPERTY DAMAGE.**



Position each part correctly
and insert screws or bolts into
their respective holes.



Turn clockwise to tighten and
only tighten when step is
completed or when instructed
to do so.



Use the appropriate hand tools
or power tools for assembly.
Select steps, such as tightening
screws and/or bolts, may require
hand tools to avoid causing
damage during assembly.



Save the instructions and store
any supplied tools for later
maintenance.



After two weeks, check and
tighten any loose hardware and
repeat again every six months
thereafter.

IT IS THE USER'S RESPONSIBILITY TO MAINTAIN THE FURNITURE. THE HARDWARE MAY LOOSEN OVER TIME AND MAY CAUSE THE FURNITURE TO BE WOBBLY AND UNABLE TO SUPPORT ITS INTENDED WEIGHT CAPACITY. THIS MAY LEAD TO COLLAPSE AND MAY CAUSE SERIOUS INJURY.

CAM LOCK FASTENER ASSEMBLY INSTRUCTIONS

Note :

Every cam lock bolt must have a cam lock connector in order to fasten the parts together.



cam bolt



cam lock

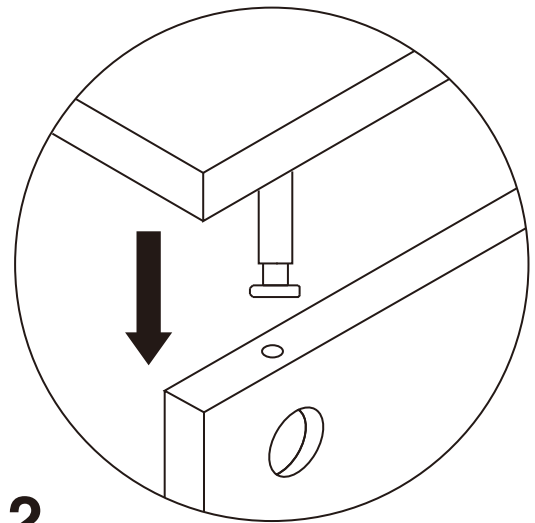


screwdriver



1

Screw the cam bolt into panel.



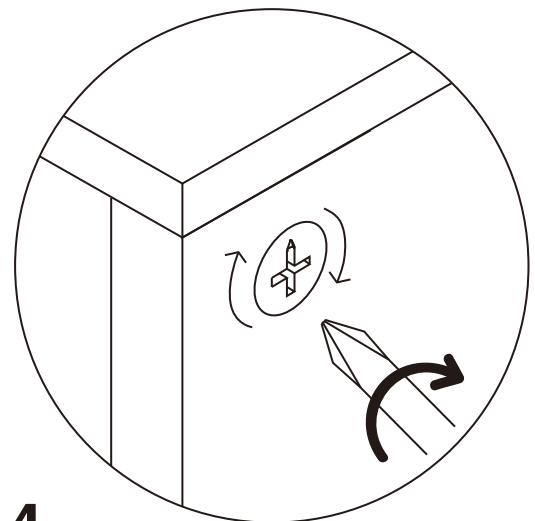
2

Insert the cam bolt into the bolt hole of joint panel.



3

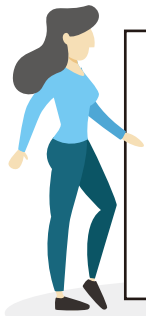
Align the cam lock with its side opening (or arrow) pointing to cam bolt.



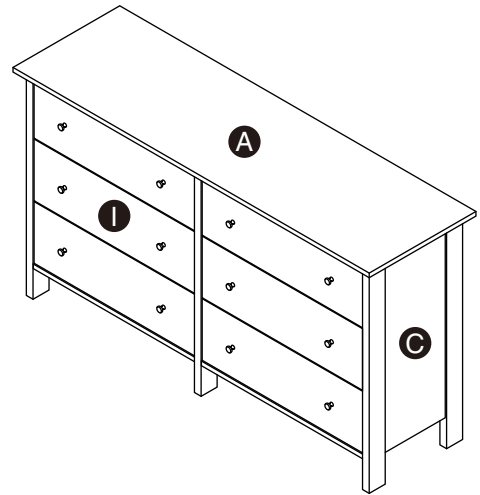
4

Turn the cam lock clockwise gently until it will not turn any more.

DRAWER CABINET

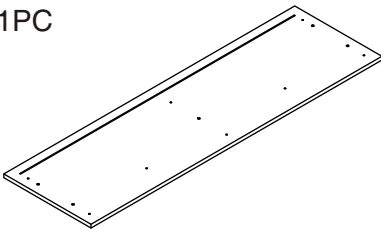


- Please keep instructions for future reference.
- Check the quantity and irregularity of parts and hardware before you start.

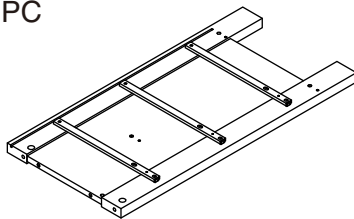


PARTS

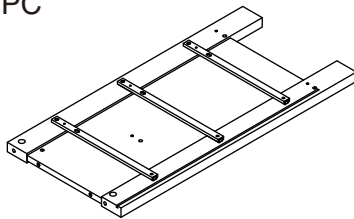
A 1PC



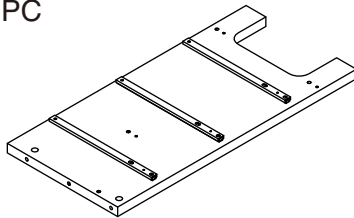
B 1PC



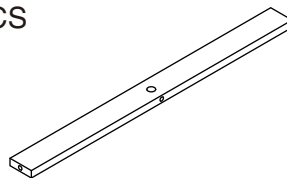
C 1PC



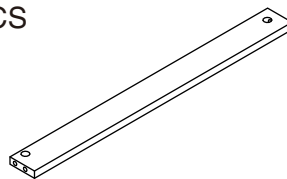
D 1PC



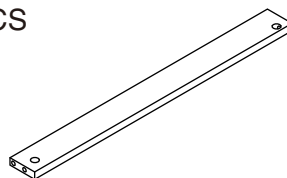
E 2PCS



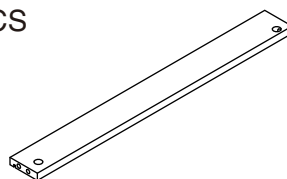
F 2PCS



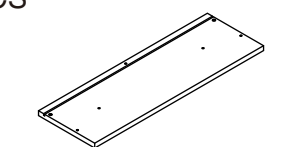
G 2PCS



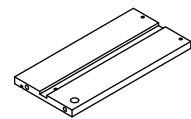
H 2PCS



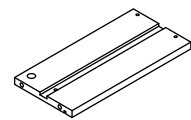
I 6PCS



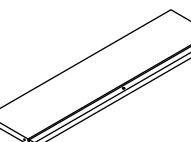
J 6PCS



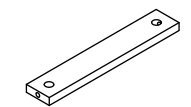
K 6PCS



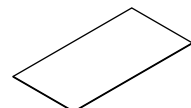
L 6PCS



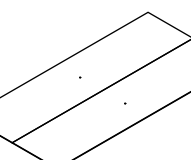
M 6PCS



N 6PCS



O 1PC



HARDWARE

① 44PCS ② 44PCS ③ 33PCS ④ 24PCS



⑤ 12PCS ⑥ 4PCS ⑦ 4PCS ⑧ 2PCS



ACCESSORIES

A1 12PCS A2 12PCS A3 6PCS A4 1PC A5 1PC



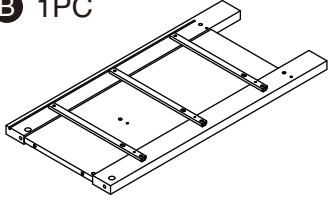
A6 1PC A7 1SET



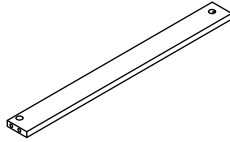
GET READY

Please group boards as below.

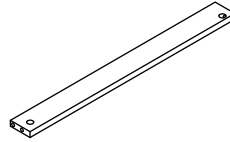
B 1PC



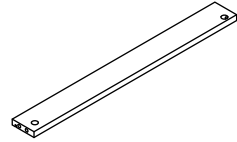
F 1PC



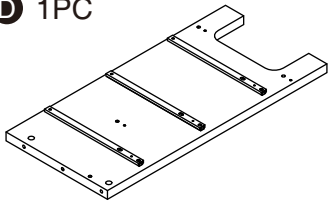
G 1PC



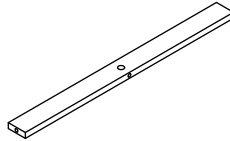
H 1PC



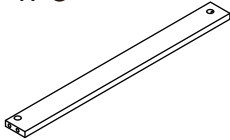
D 1PC



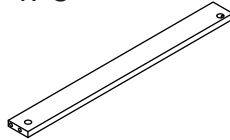
E 1PC



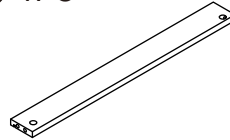
F 1PC



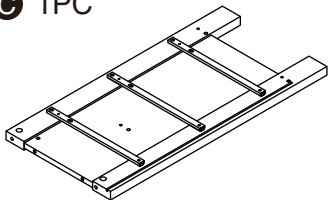
G 1PC



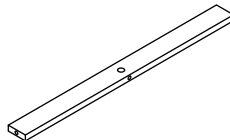
H 1PC



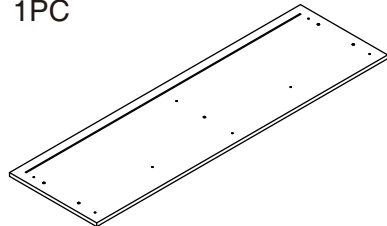
C 1PC



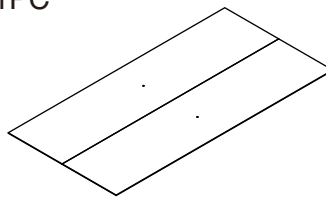
E 1PC



A 1PC

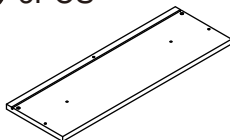


O 1PC

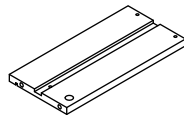


Body

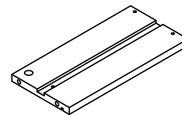
I 6PCS



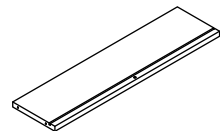
J 6PCS



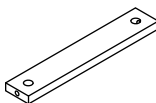
K 6PCS



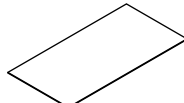
L 6PCS



M 6PCS



N 6PCS



Drawer

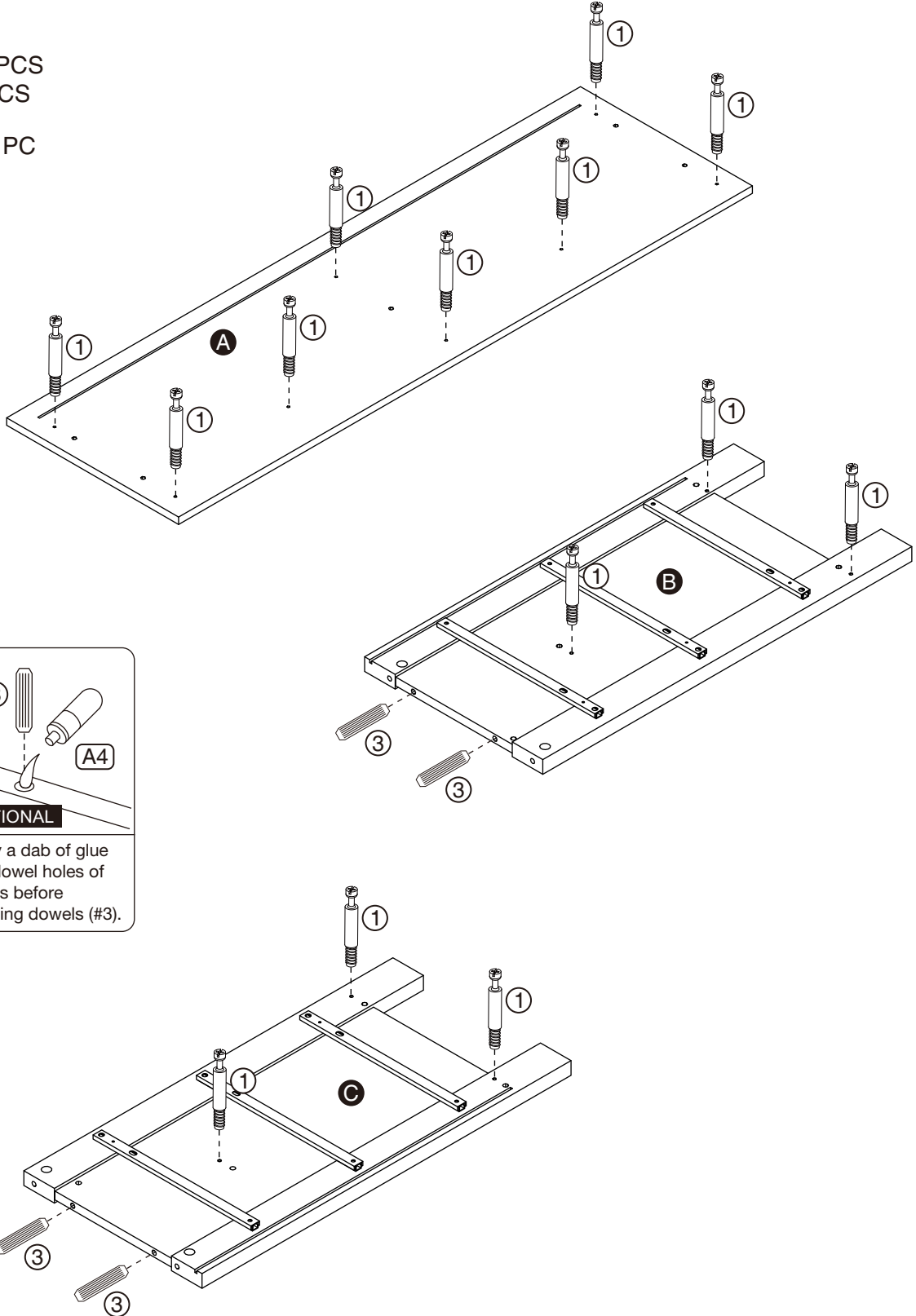
ASSEMBLY INSTRUCTIONS

1

Hardware ① x14PCS

Hardware ③ x4PCS

Accessory [A4] x1PC

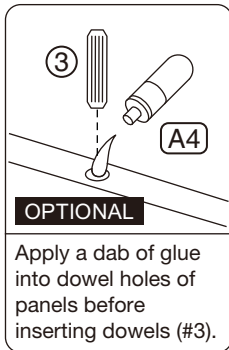
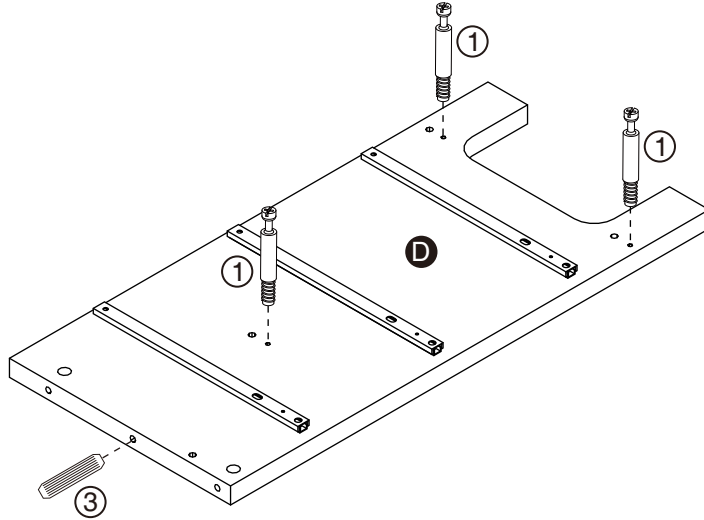


ASSEMBLY INSTRUCTIONS

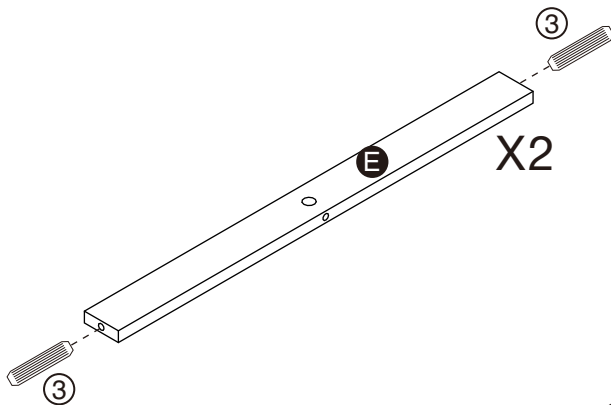
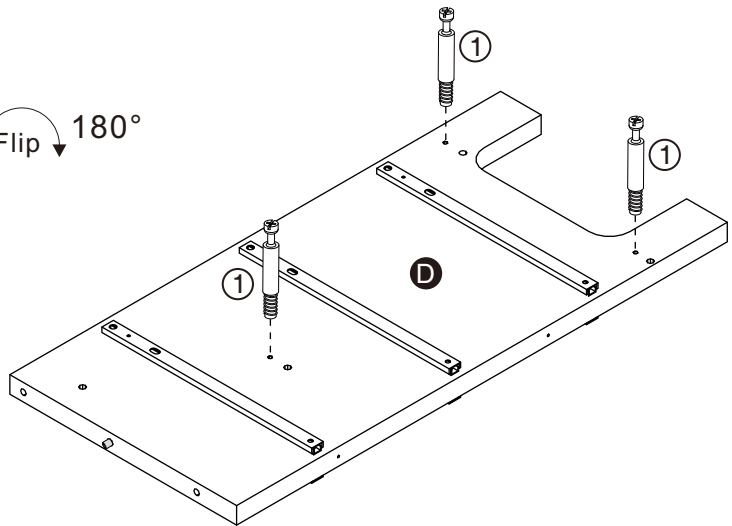
2

Hardware ① x6PCS
Hardware ③ x9PCS

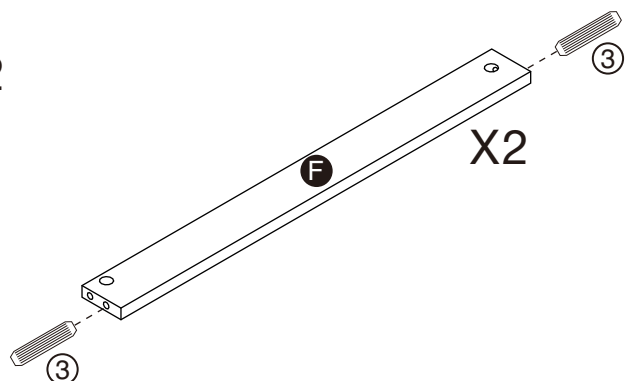
Accessory A4 x1PC



Flip 180°



X2



X2

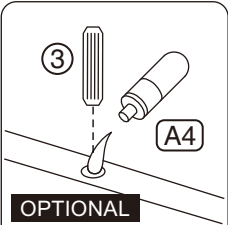
ASSEMBLY INSTRUCTIONS

3

Hardware ① x24PCS

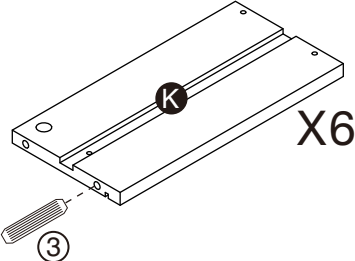
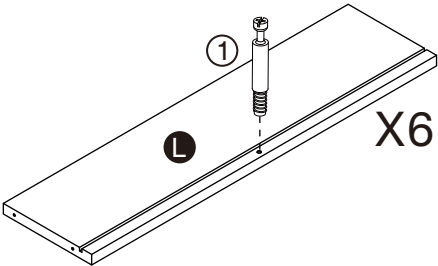
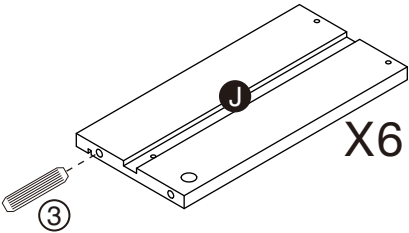
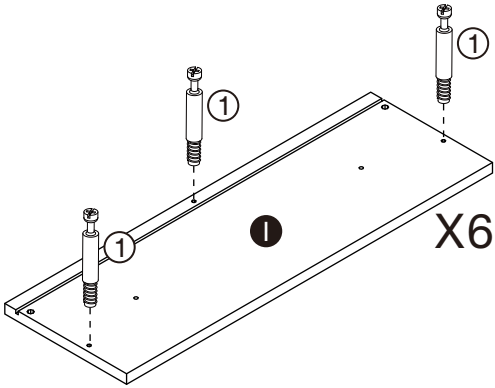
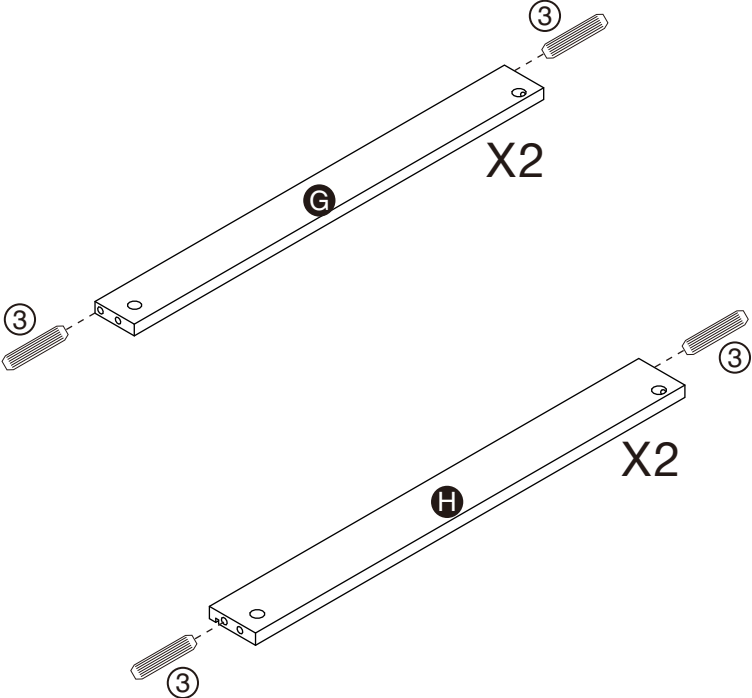
Hardware ③ x20PCS

Accessory [A4] x1PC



OPTIONAL

Apply a dab of glue into dowel holes of panels before inserting dowels (#3).

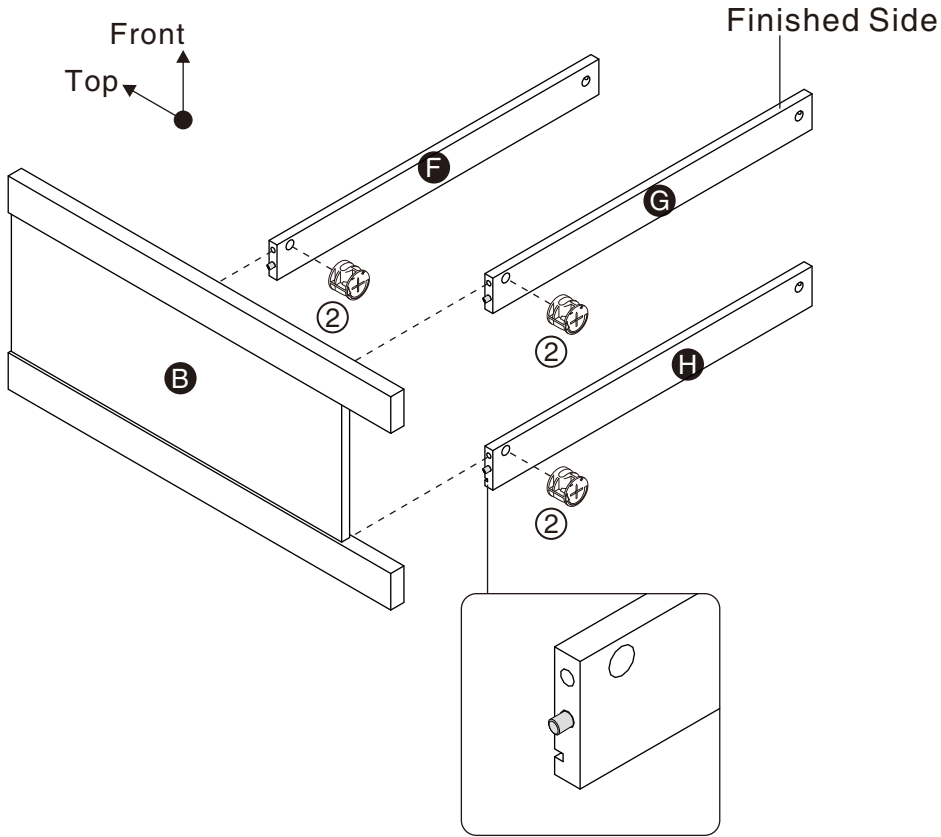


ASSEMBLY INSTRUCTIONS

4

- Part **B** x1PC
- Part **F** x1PC
- Part **G** x1PC
- Part **H** x1PC

Hardware ② x3PCS

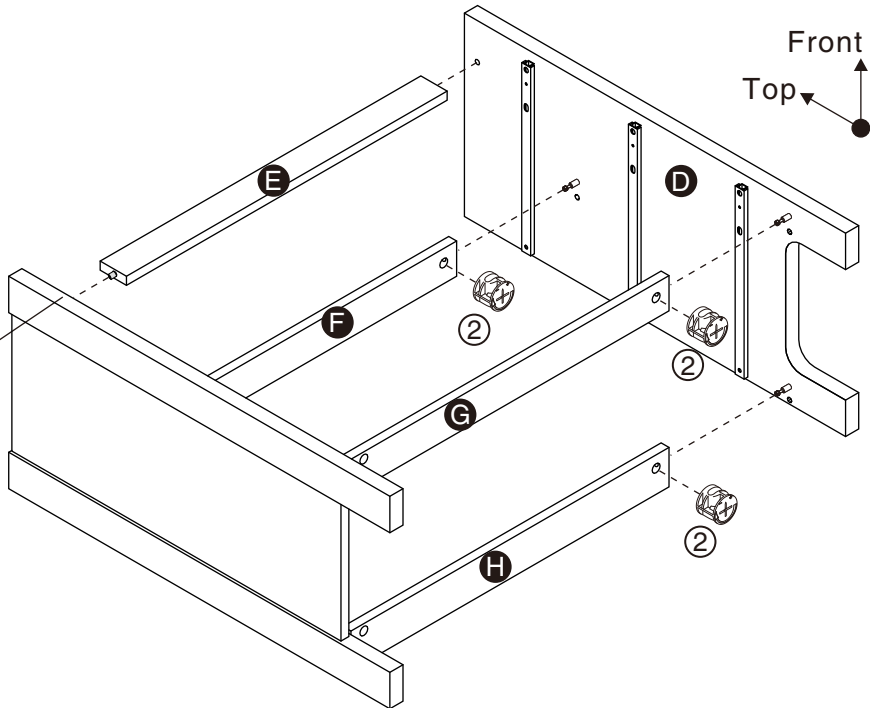
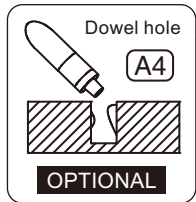


5

- Part **D** x1PC
- Part **E** x1PC

Hardware ② x3PCS

Accessory **A4** x1PC

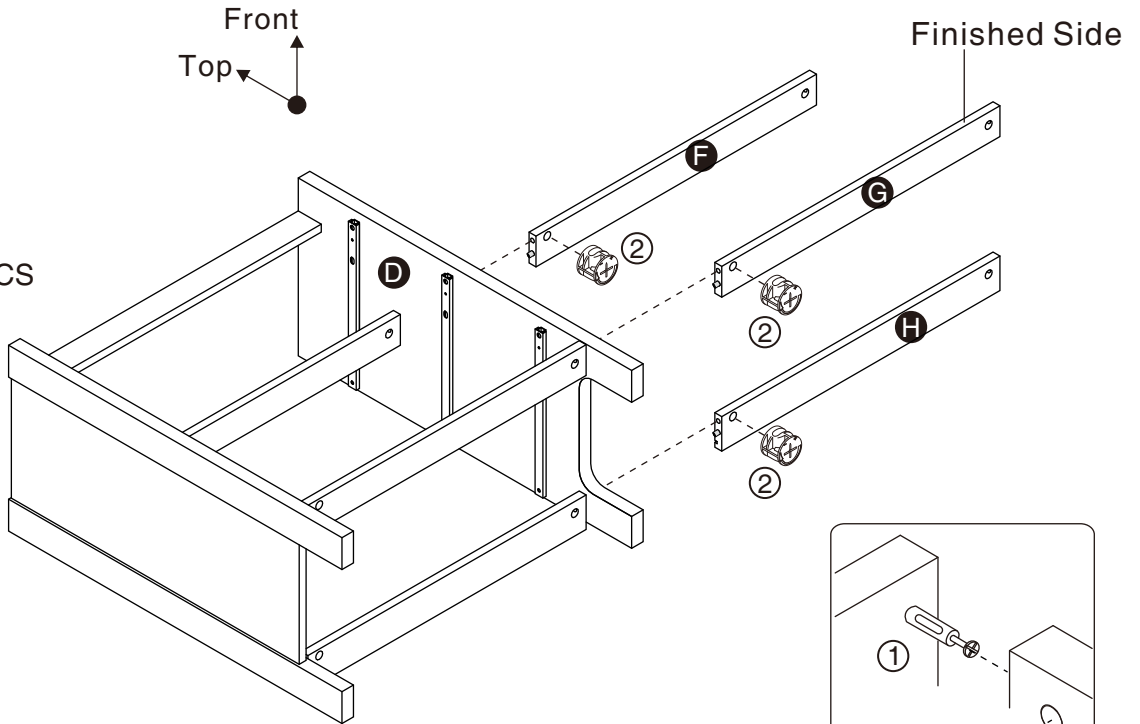


ASSEMBLY INSTRUCTIONS

6

- Part **F** x1PC
- Part **G** x1PC
- Part **H** x1PC

Hardware **2** x3PCS

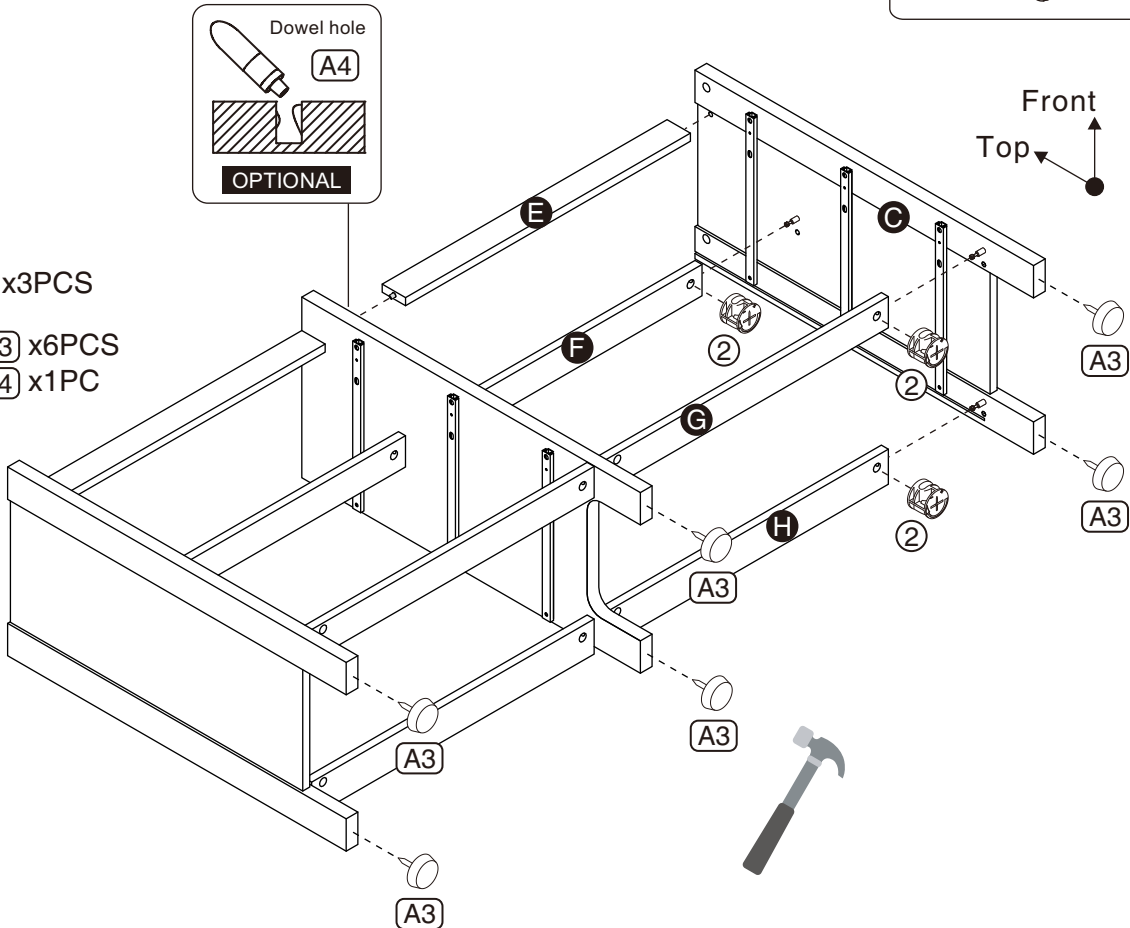


7

- Part **C** x1PC
- Part **E** x1PC

Hardware **2** x3PCS

- Accessory **A3** x6PCS
- Accessory **A4** x1PC



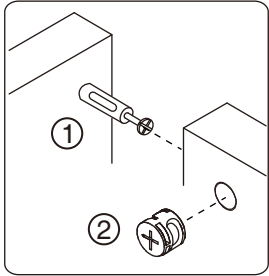
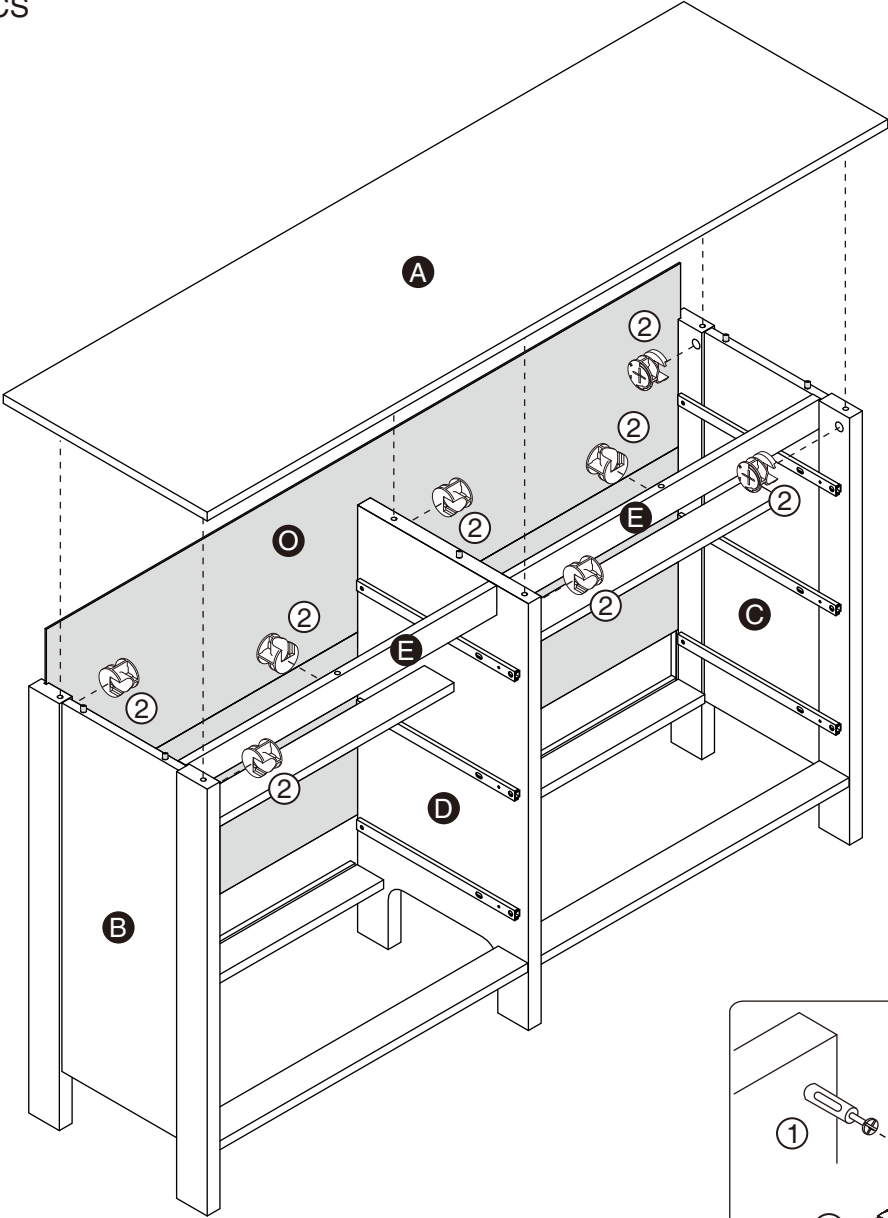
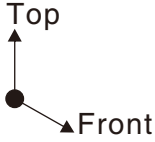
ASSEMBLY INSTRUCTIONS

8

Part **A** x1PC

Part **C** x1PC

Hardware **2** x8PCS



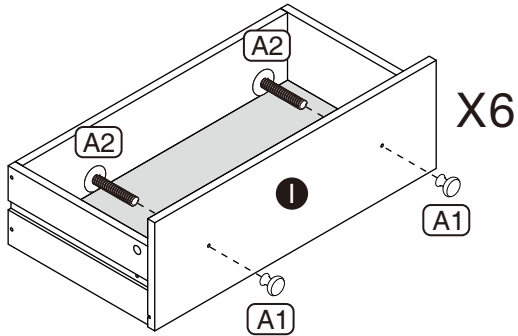
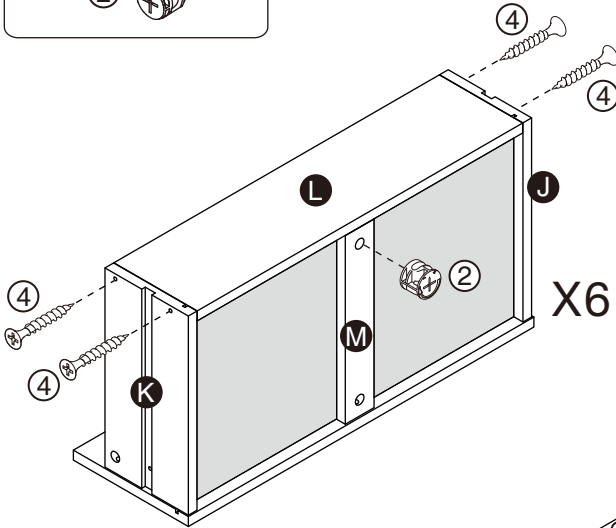
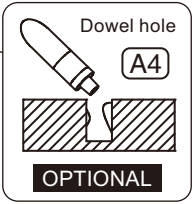
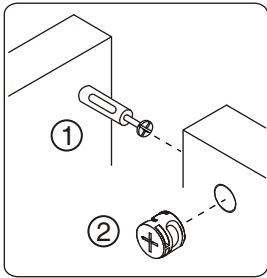
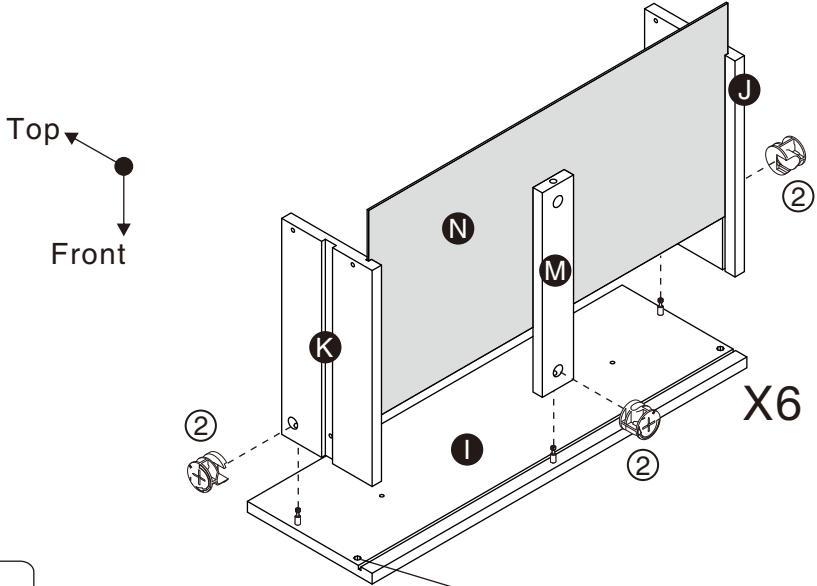
ASSEMBLY INSTRUCTIONS

9

- Part **I** x6PCS
- Part **J** x6PCS
- Part **K** x6PCS
- Part **L** x6PCS
- Part **M** x6PCS
- Part **N** x6PCS

- Hardware **②** x24PCS
- Hardware **④** x24PCS

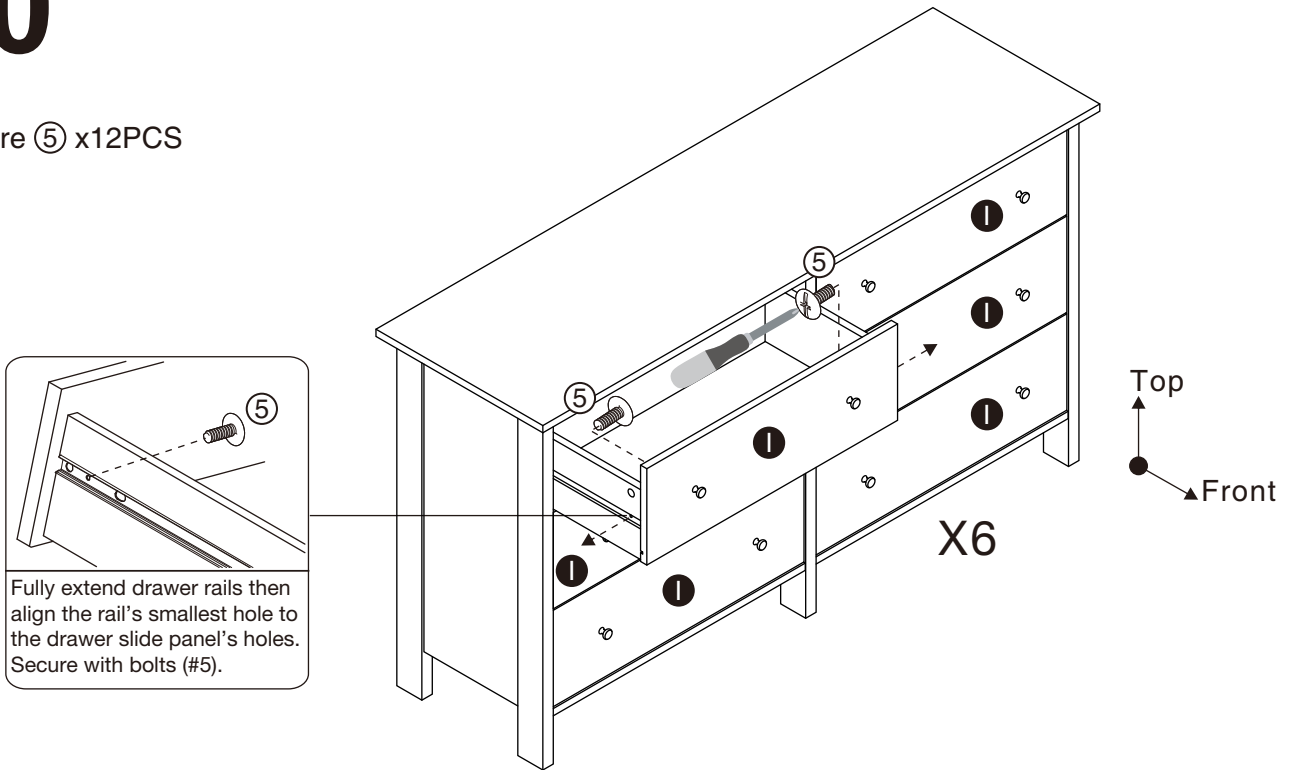
- Accessory **A1** x12PCS
- Accessory **A2** x12PCS
- Accessory **A4** x1PC



ASSEMBLY INSTRUCTIONS

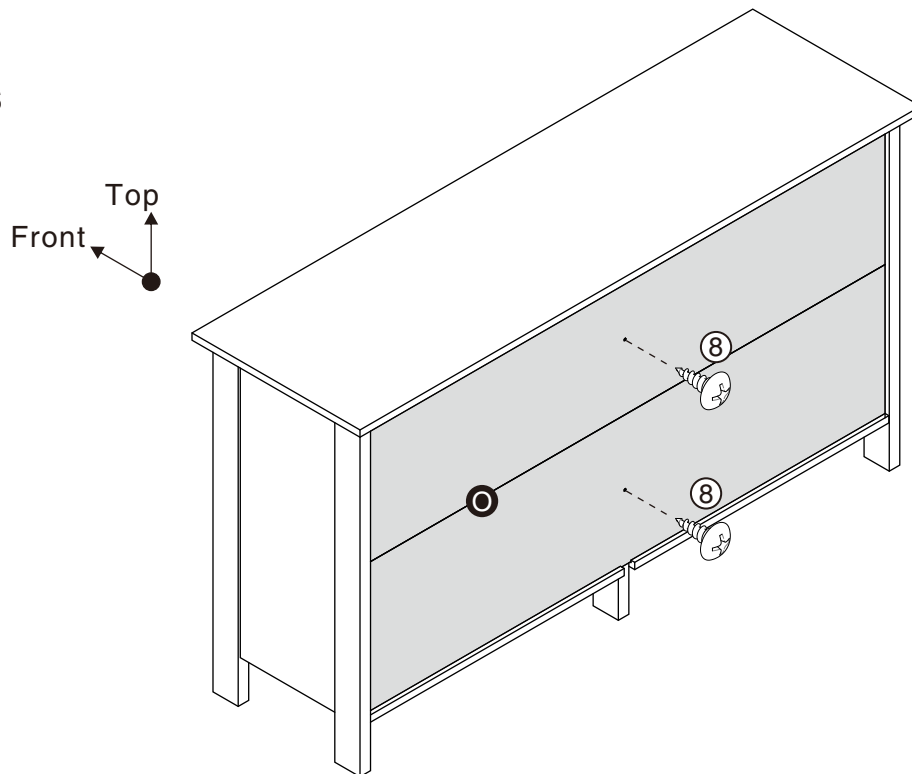
10

Hardware ⑤ x12PCS



11

Hardware ⑧ x2PCS

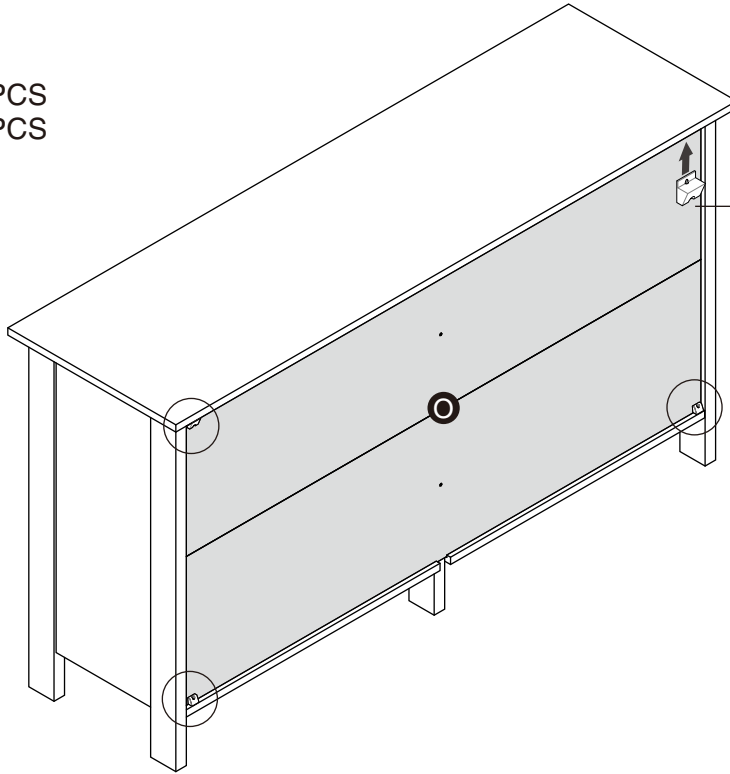


ASSEMBLY INSTRUCTIONS

12

Hardware ⑥ x4PCS
Hardware ⑦ x4PCS

Top ↑
Front ←

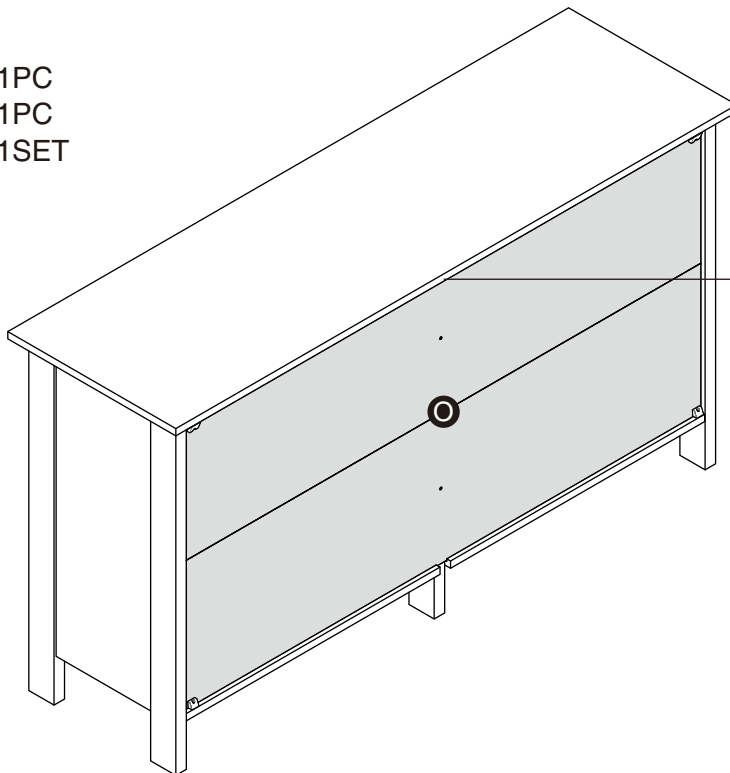
A close-up diagram showing a white L-shaped fixative plate (labeled ⑥) being inserted into the gap between the back and side panels. A screw (labeled ⑦) is shown being inserted through the plate into the side panel.

Insert fixative plates (#6) through the thin lined gaps between back and side panels, then secure by using screws (#7).
[No pre-drilled holes]

13

Accessory ⑤ x1PC
Accessory ⑥ x1PC
Accessory ⑦ x1SET

Top ↑
Front ←

A close-up diagram showing a white L-shaped accessory (labeled ⑤) being attached to the back panel with a screw (labeled ⑥). Below this, a separate diagram shows a wall-mounted strap (labeled ⑦) being secured to a wall with a screw.

WALL

For safety, please secure unit onto wall by using wall mounted straps provided. Refer to page 18 on wall mounting guide.

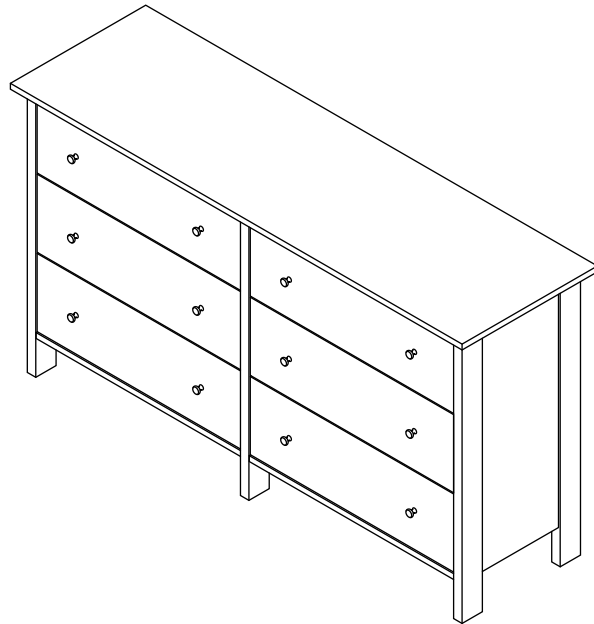
ASSEMBLY INSTRUCTIONS

14

ASSEMBLY COMPLETED



Please ensure the furniture rests on an even and flat surface. If the product wobbles or feels loose, double-check all bolts and/or screws are properly tightened and secured.



✓ **Keep this handy!**

Please retain this instruction manual and any order-related information for future reference.

✓ **Lift, don't drag!**

To avoid damage to product please always LIFT the product when transporting or adjusting the placement.

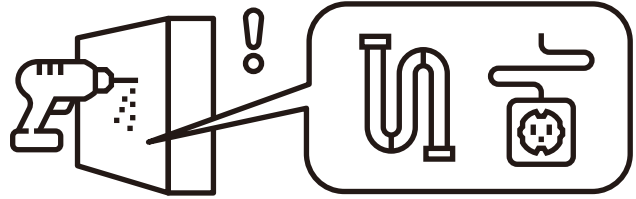
ASSEMBLY INSTRUCTIONS

Wall Mounting and Fixing



EXPANSION WALL ANCHOR

Our provided expansion wall anchors are only suitable for masonry walls, such as drywall, plaster or concrete, and are best for holding lightweight items or for anti-tip prevention. If you are unsure of the correct wall anchor to use with the product, please request professional guidance. Liability for product damage or failure due to using the incorrect anchors will fall on the installer.

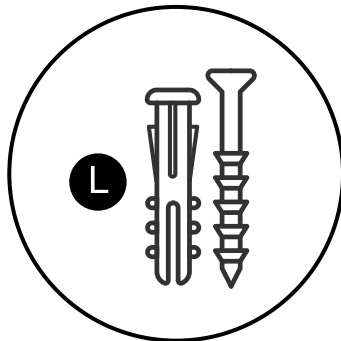


CHECK BEFORE PROCEEDING

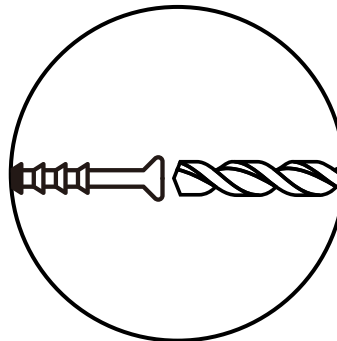
Prior to drilling or hammering, please check for wires or pipes. We recommend using a stud finder to locate a stud, which will offer more appropriate resistance and hold more weight.

QUICK TIPS

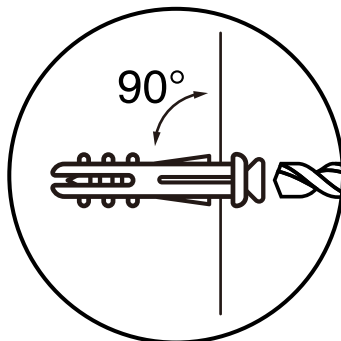
1. If unsure of the proper size, always choose a larger screw and wall anchor.



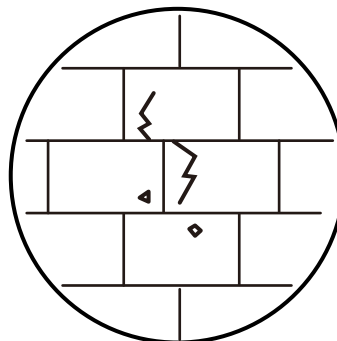
2. Match the drill bit to the wall anchor and hole size.



3. Only drill horizontally. Do not force the drill or enlarge the hole for the wall anchor.



4. Take extra care when drilling into high walls or ceramic tiles. Wall anchors should be a tight fit for the hole. Never use wall anchors in ceilings.



MAINTENANCE



We recommend a yearly check to see if the wall anchor or screw has loosened. If so, please remove the existing wall anchor and screw, and use a new anchor.