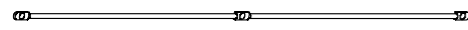
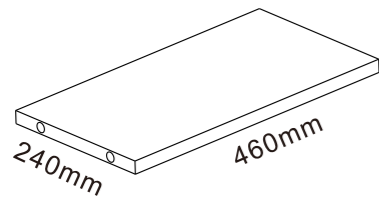


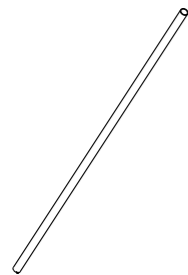
A x 2



B x 2



C x 4



D x 1



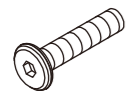
E x 4



F x 4



G x 4



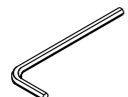
H x 18
(1/4 x 38mm)



I x 5
(1/4 x 12mm)

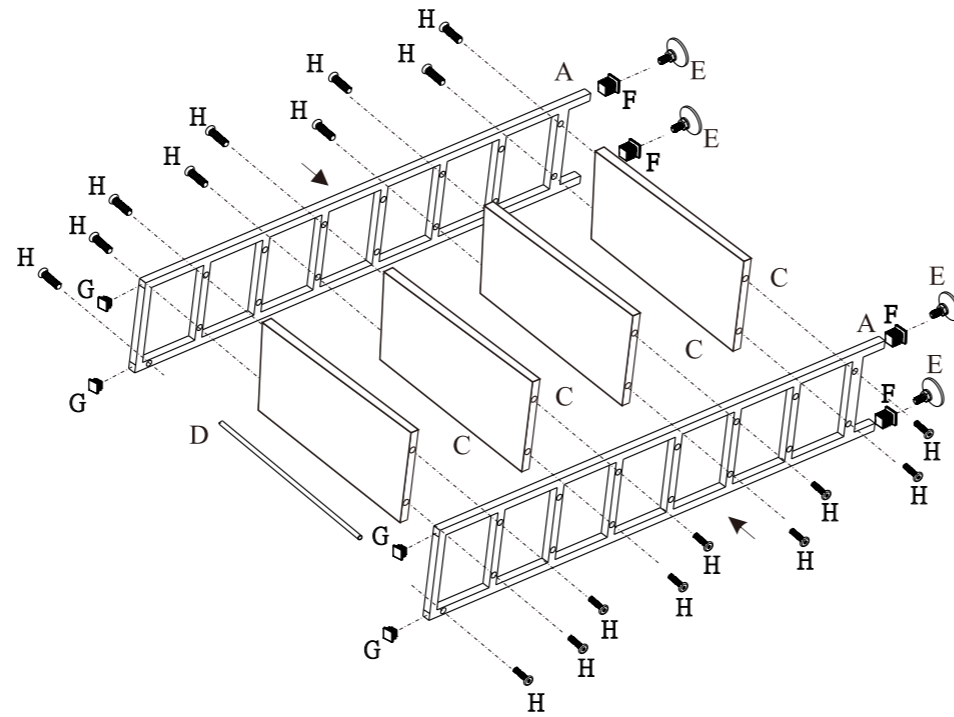


J x 1

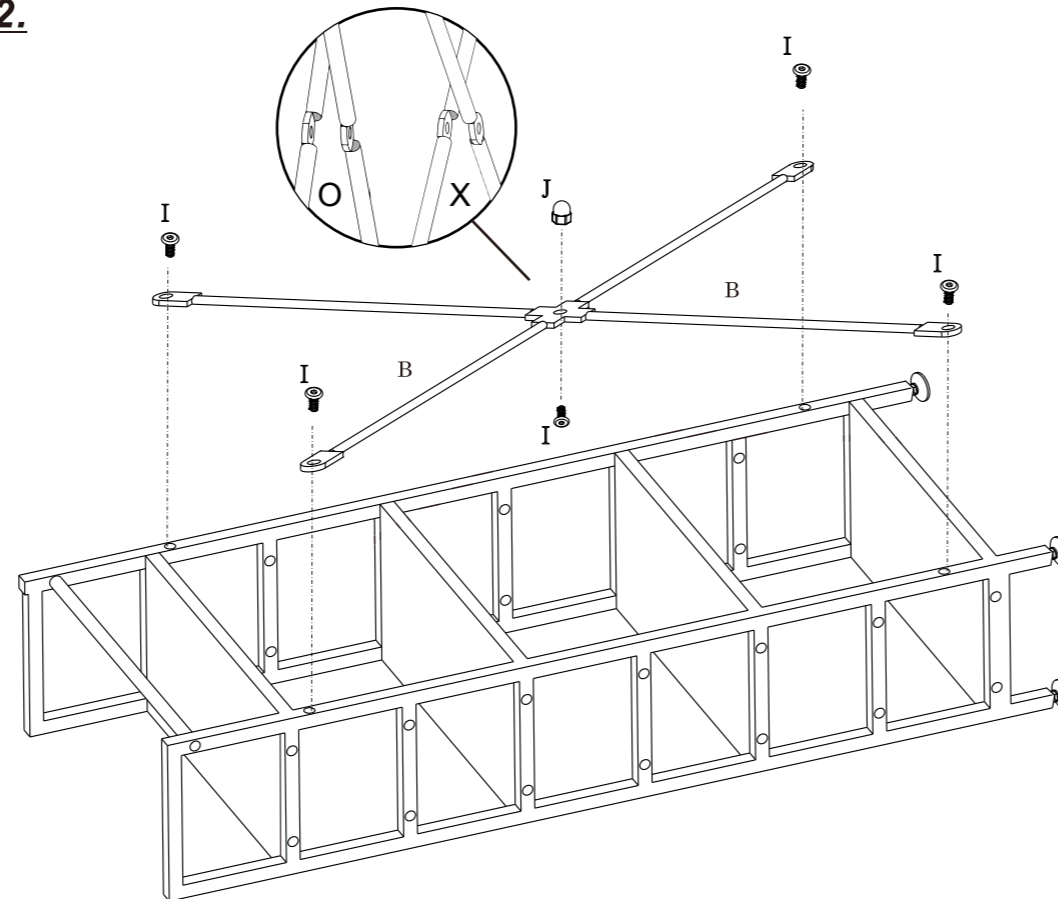


K x 1

STEP 1.



STEP 2.



FINISH FIGURE

