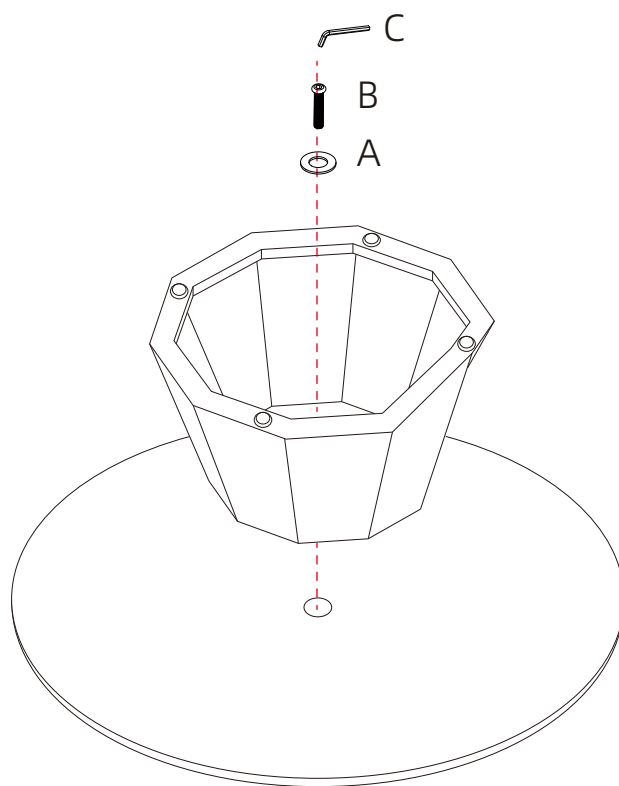
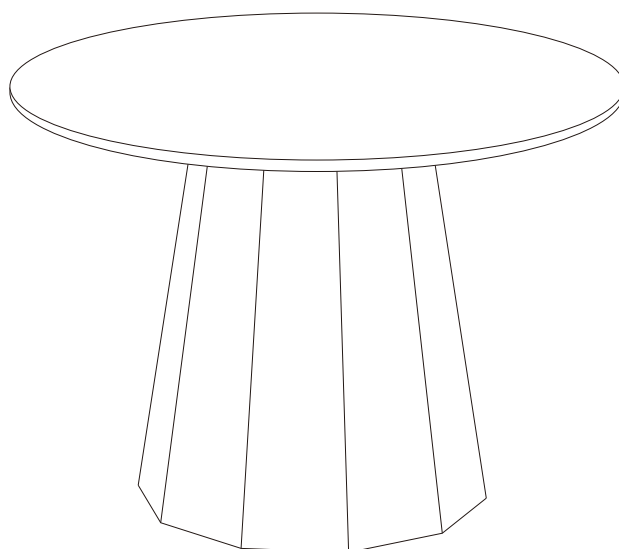


ASSEMBLY INSTRUCTIONS

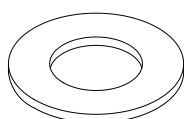
STEP 1



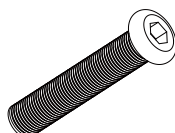
STEP 2



Ax1



Bx1



Cx1

