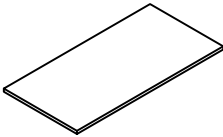
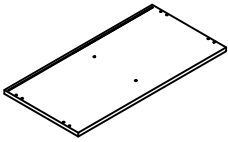
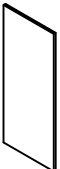

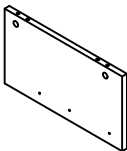
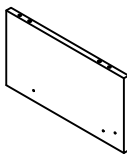
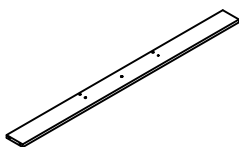
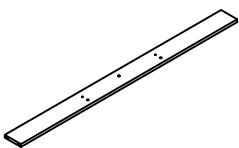
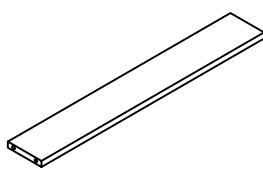

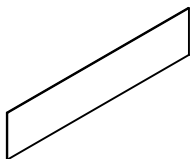
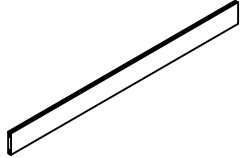

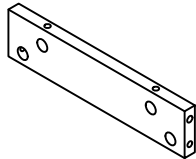
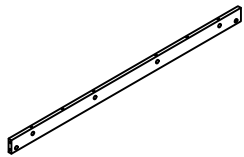
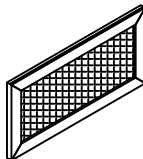
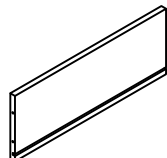
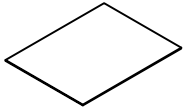
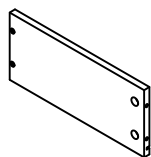
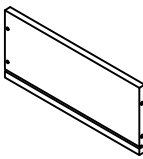

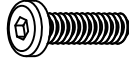
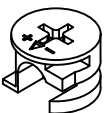
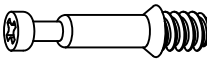






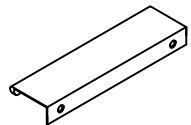
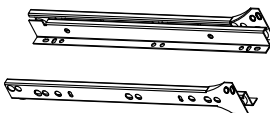
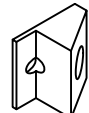



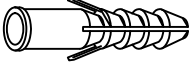
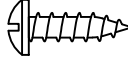
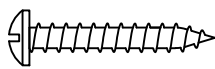
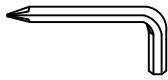

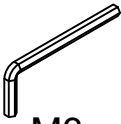
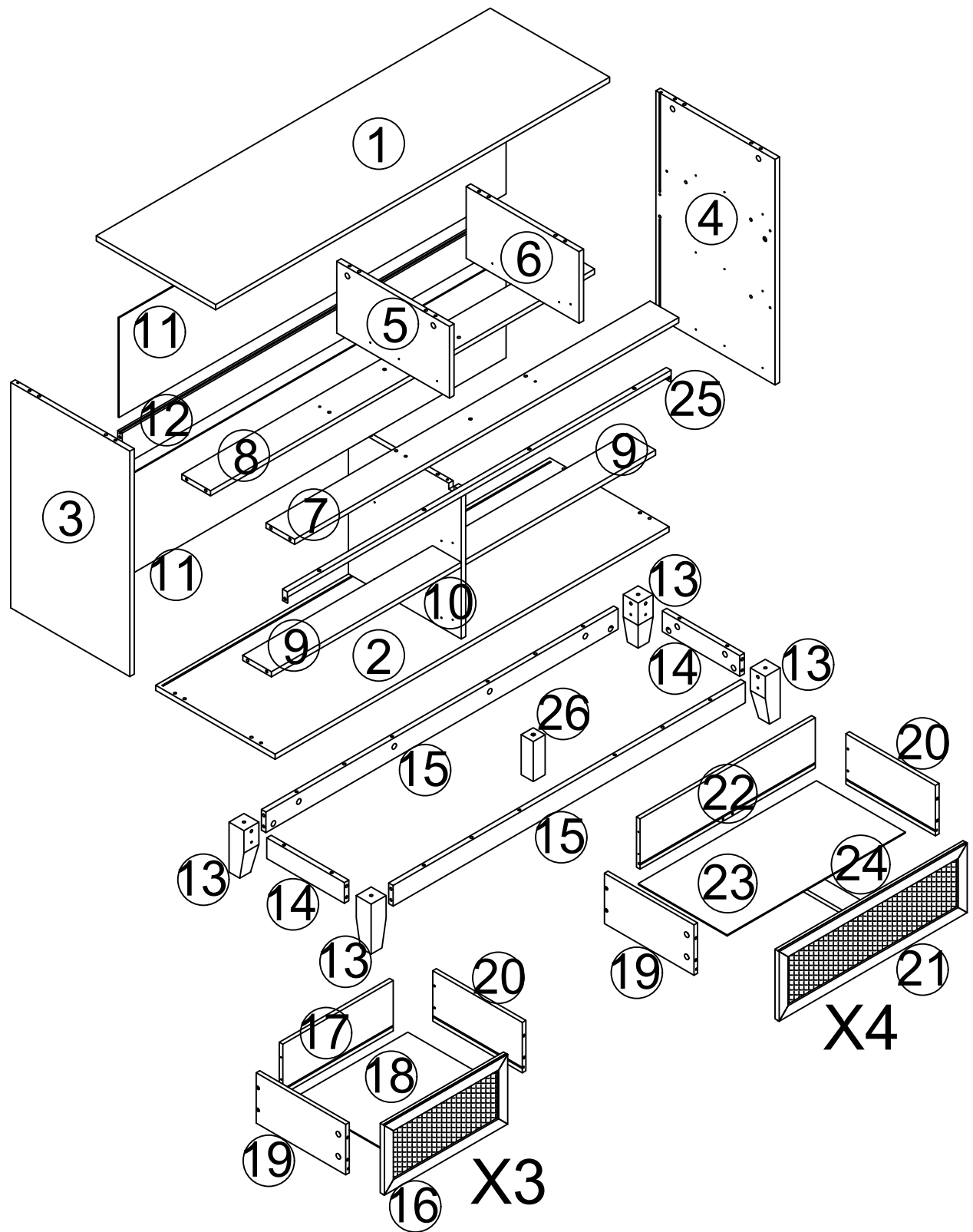


#		QTY
①		1
②		1
③		1
④		1
⑤		1
⑥		1
⑦		1
⑧		1
⑨		2
⑩		1

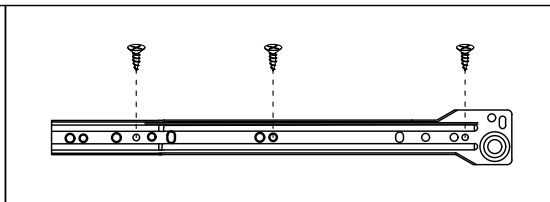
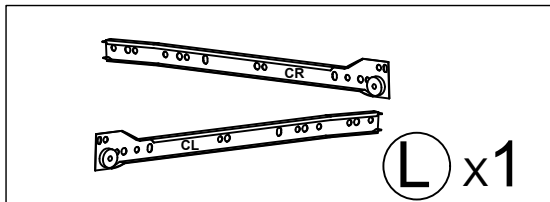
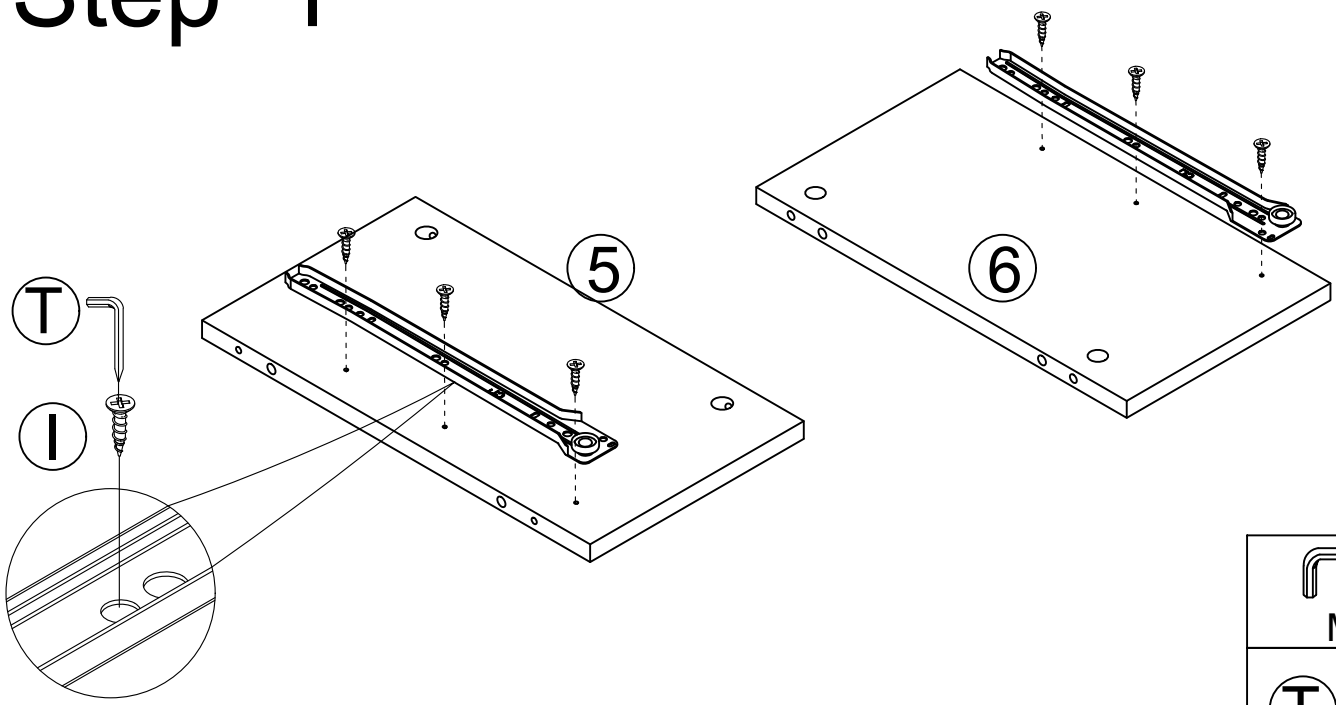
#		QTY
⑪		2
⑫		1
⑬		4
⑭		2
⑮		2
⑯		3
⑰		3
⑱		3
⑲		7
⑳		7





#		QTY
A	 M6*12mm	2
B	 M6*25mm	4
C	 φ15 x 9mm	70+2
D	 φ6 x 35mm	68+2
E	 φ6 x 30mm	4
F	 φ8 x 30mm	44+2
G	 M5*48mm	12+1
H	 M4*25mm	36+2
I	 φ3.5 x 12mm	70+2
J	 φ3.5 x 12mm	14+1
K		7

#		QTY
L	 L300mm	7
M	 15*15*10mm	12+1
N	 M3*16mm	12+1
O	 M6*18mm	5
P	 190*20mm	2
Q	 φ8 x 40mm	2
R	 M4*15mm	2
S	 M4*38mm	2
T	 M4	1
U	 Ø30mm	70+2
V	 M3	1

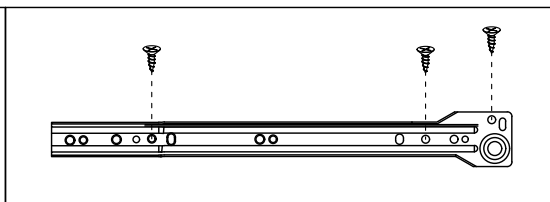
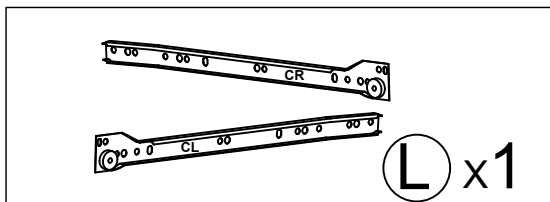
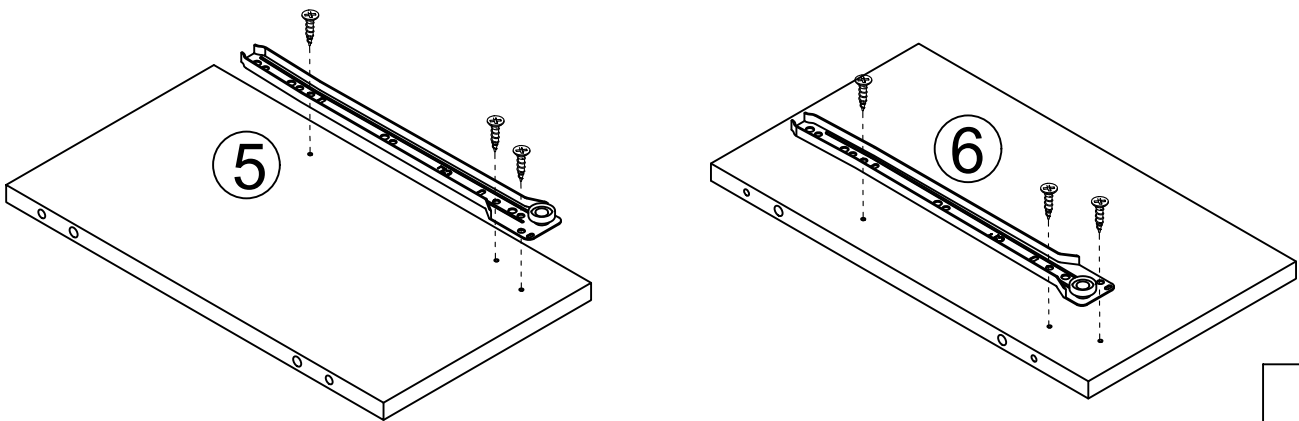


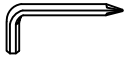



Step 1



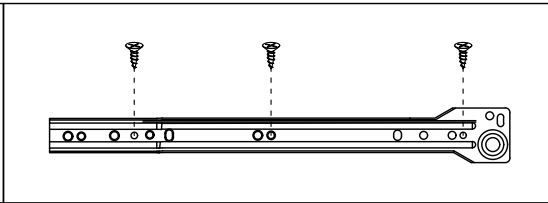
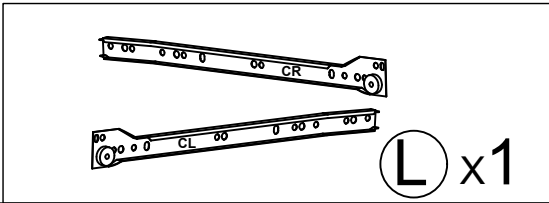
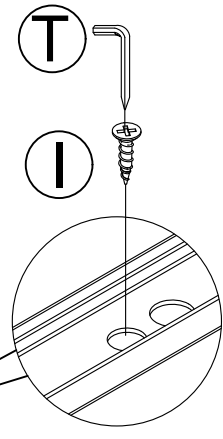
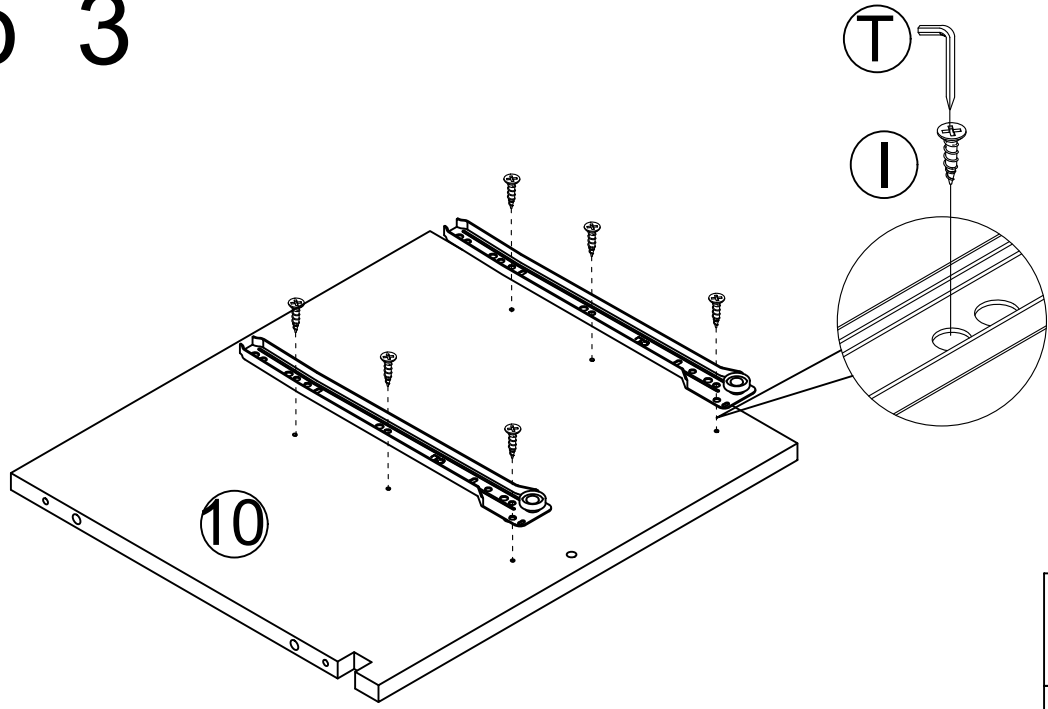
-  M4
-  T x 1
-  ø3.5 x 12mm
-  I x6

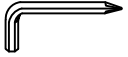


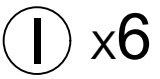
Step 2



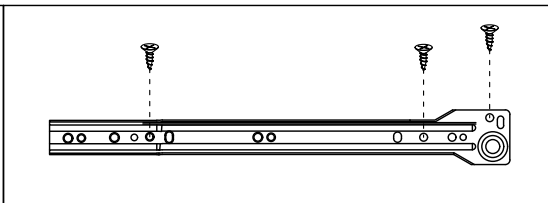
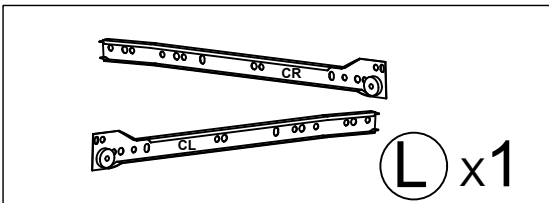
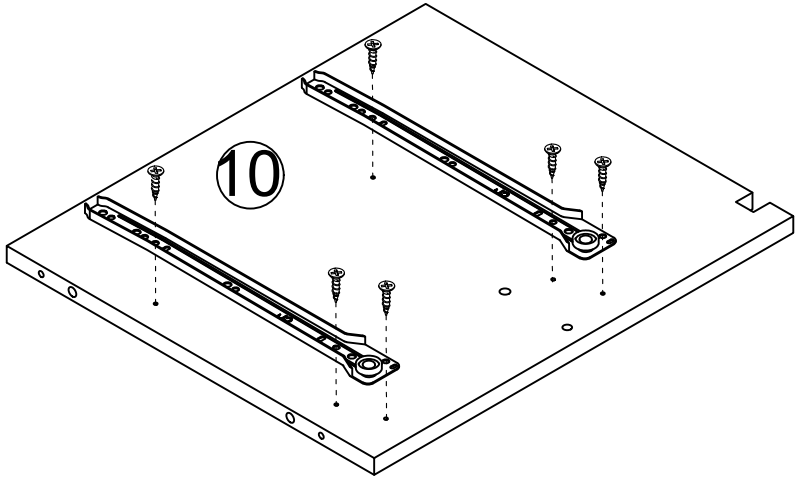
-  M4
-  T x 1
-  ø3.5 x 12mm
-  I x6

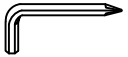



Step 3



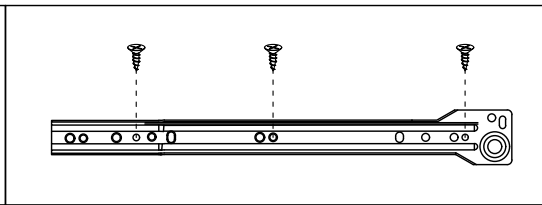
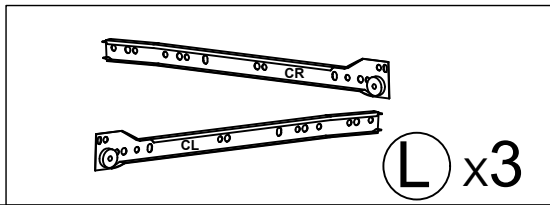
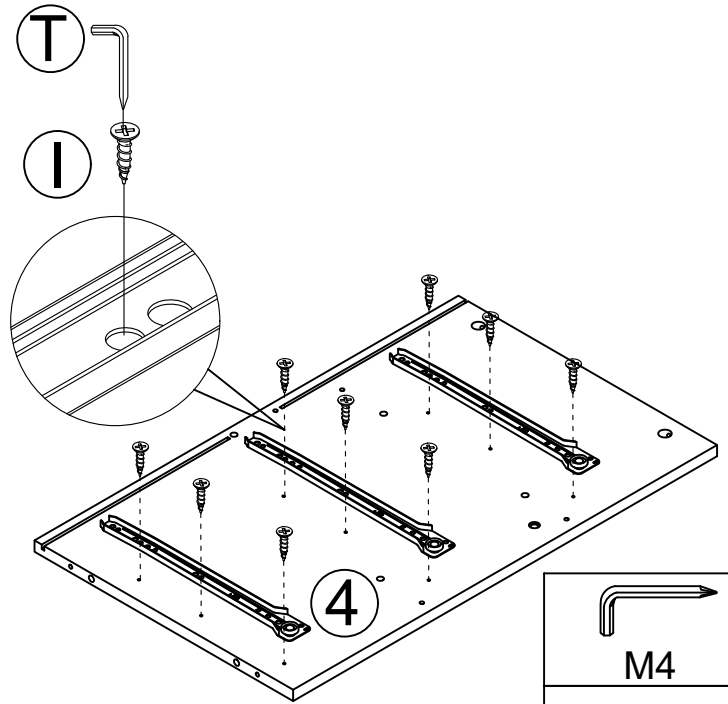
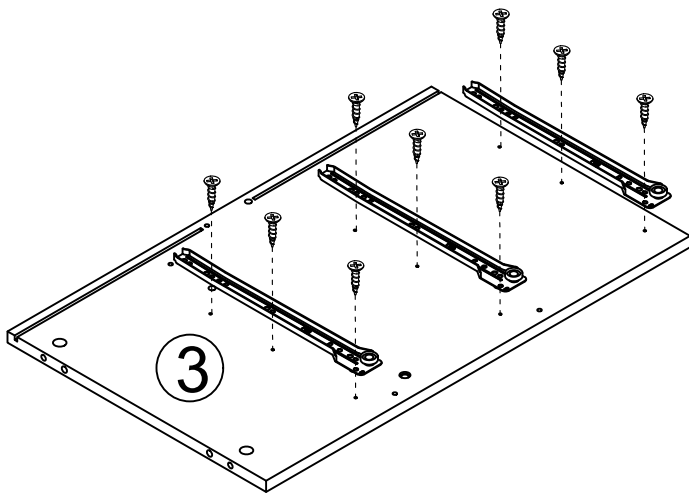
-  M4
-  T x 1
-  $\phi 3.5 \times 12\text{mm}$
-  I x 6

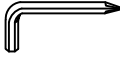

Step 4



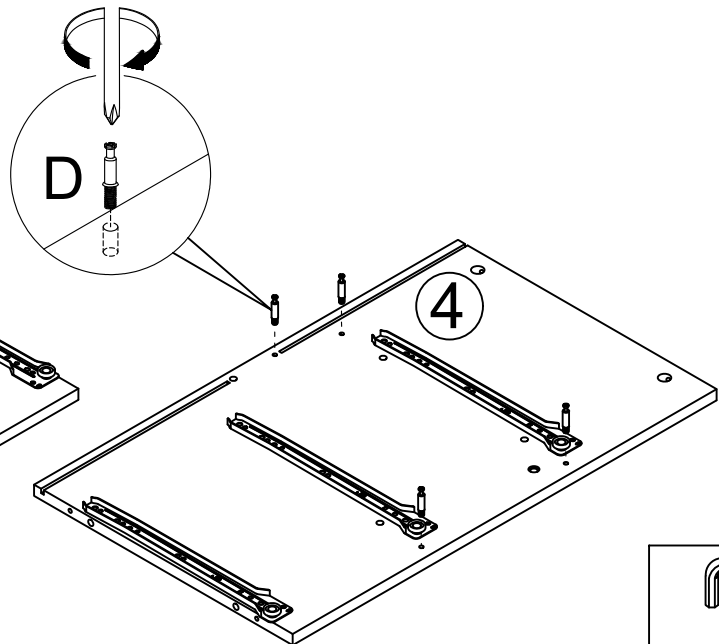
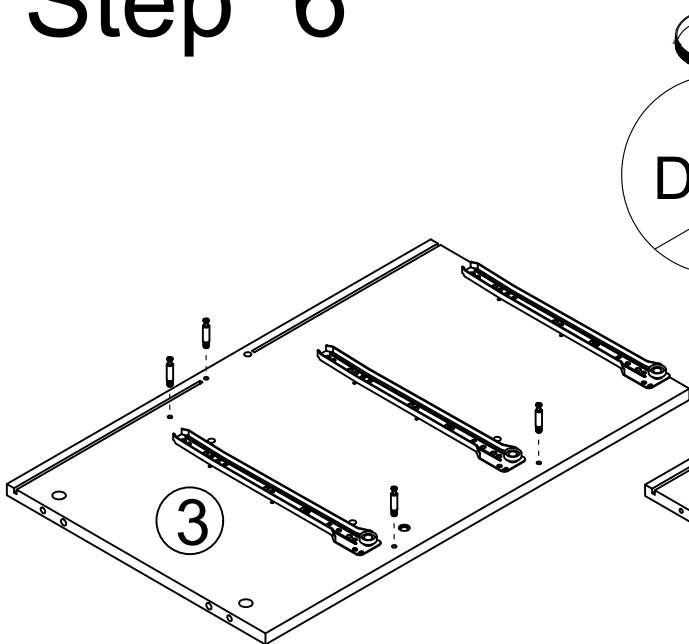
-  M4
-  T x 1
-  $\phi 3.5 \times 12\text{mm}$
-  I x 6


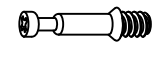
Step 5



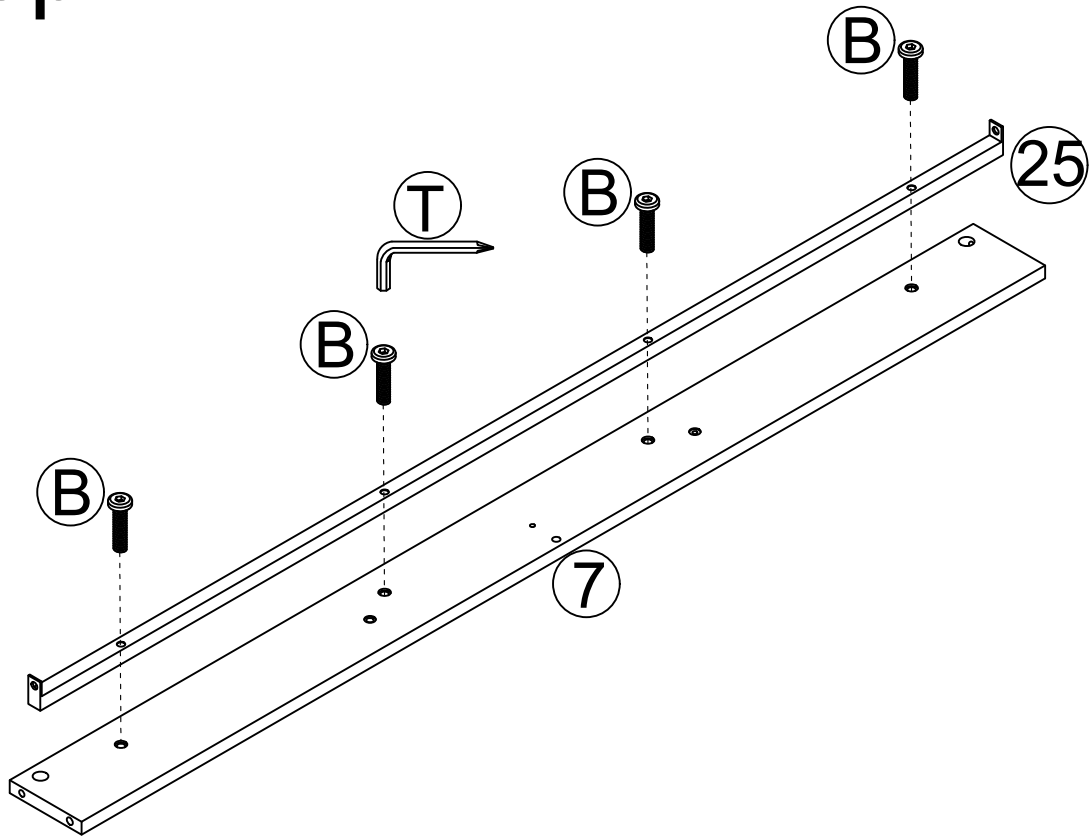
	M4
T x 1	
	ø3.5 x 12mm
I x 18	

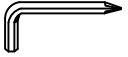

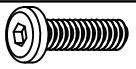

Step 6



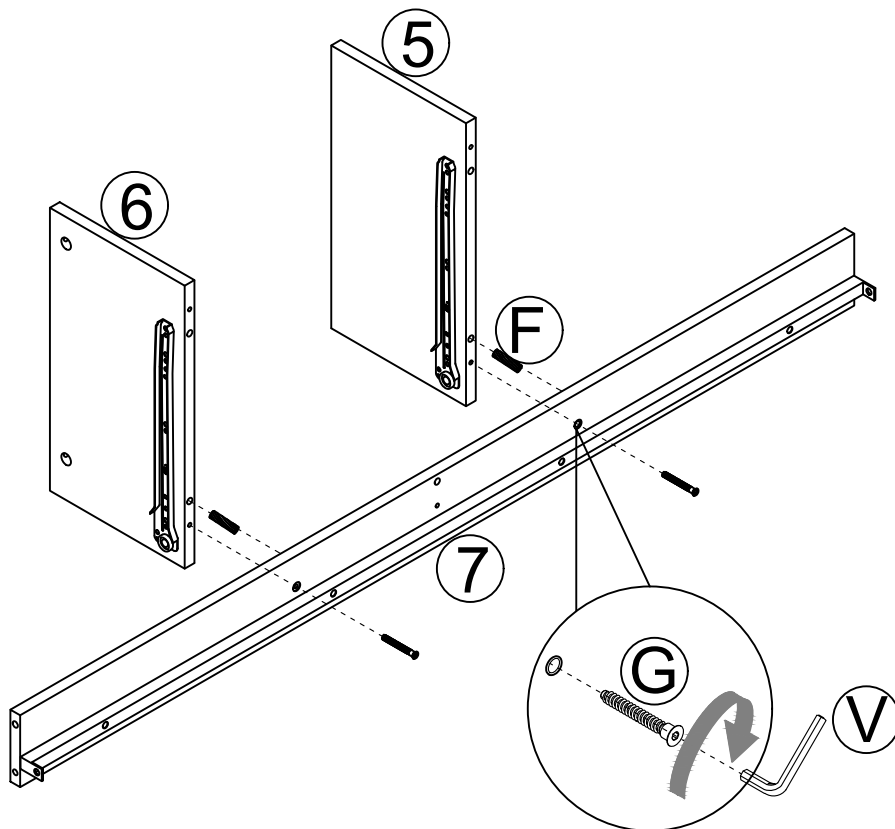
	M4
T x 1	
	ø6 x 35mm
D x 8	





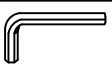

Step 7



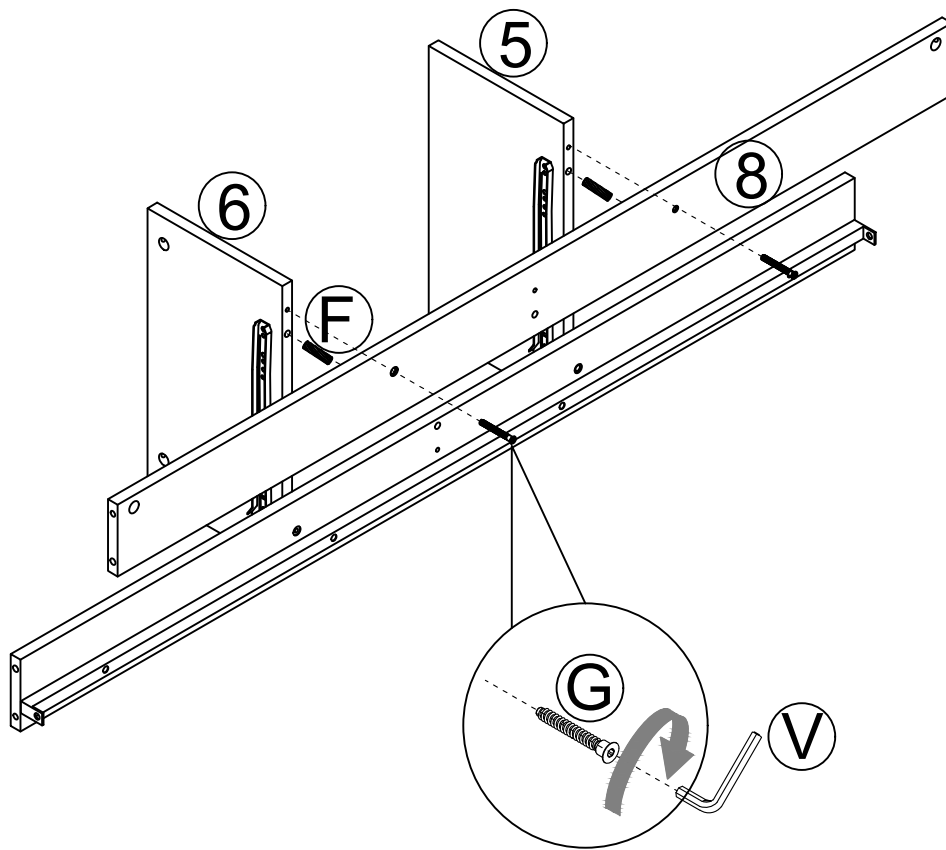

M4


M6*25mm

x 4




Step 8



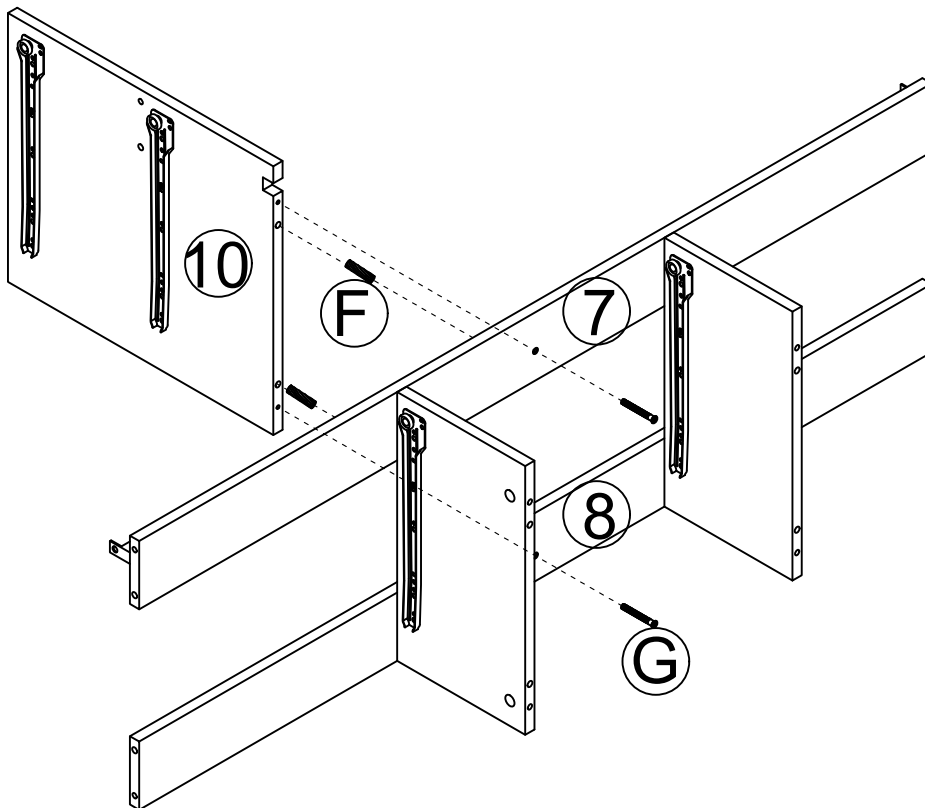

M5*48mm

x 2

ø8 x 30mm

x 2

M3

x 1



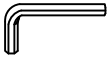
Step 9



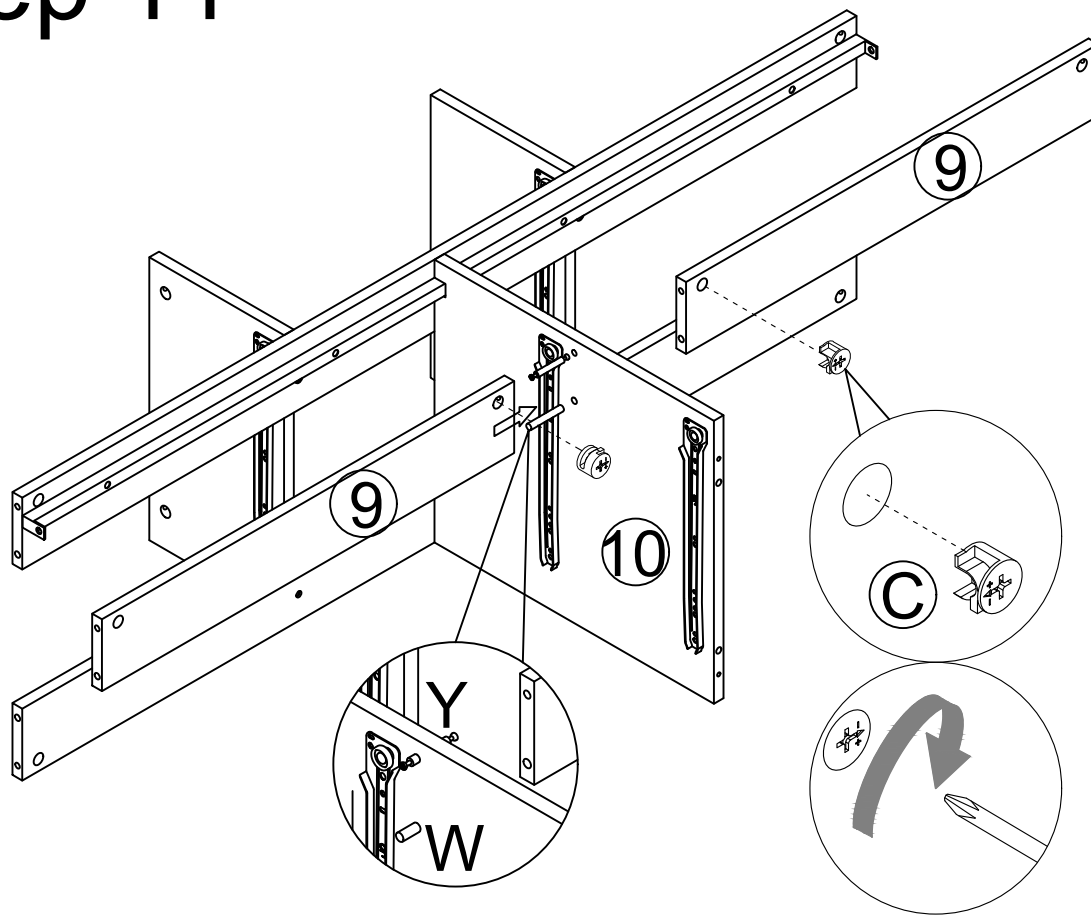

M5*48mm
G x 2

φ8 x 30mm
F x 2

M3
V

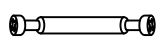


Step 10



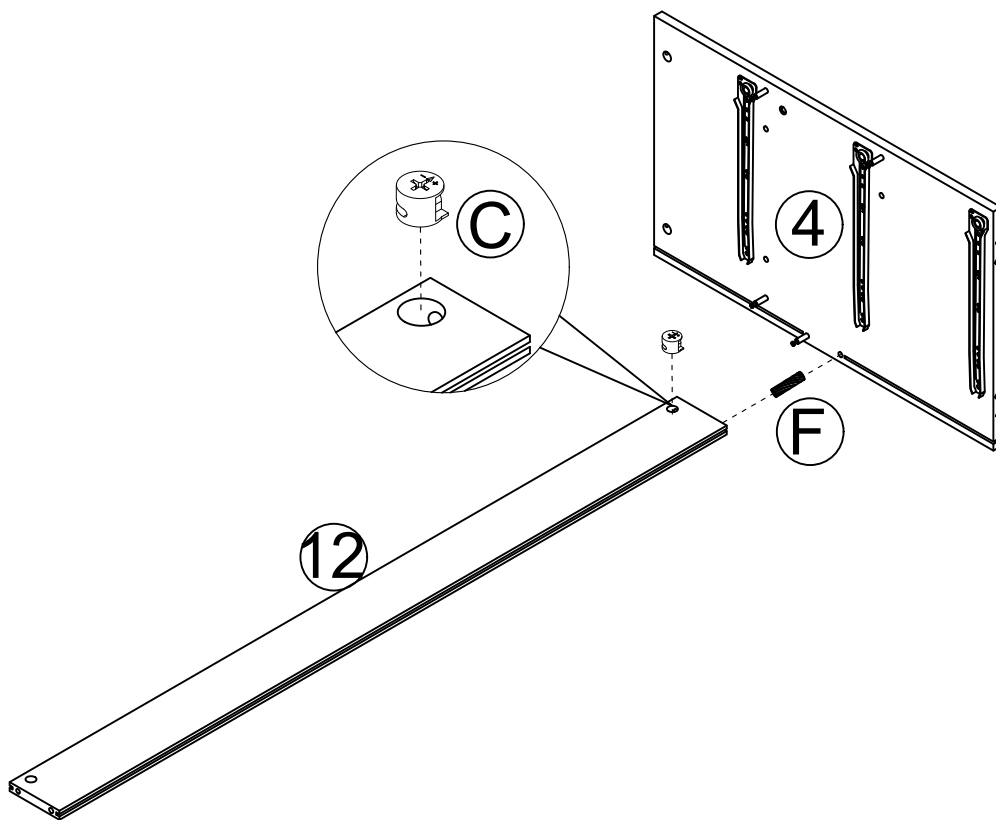

M5*48mm
G x 2

φ8 x 30mm
F x 2

M3
V



Step 11



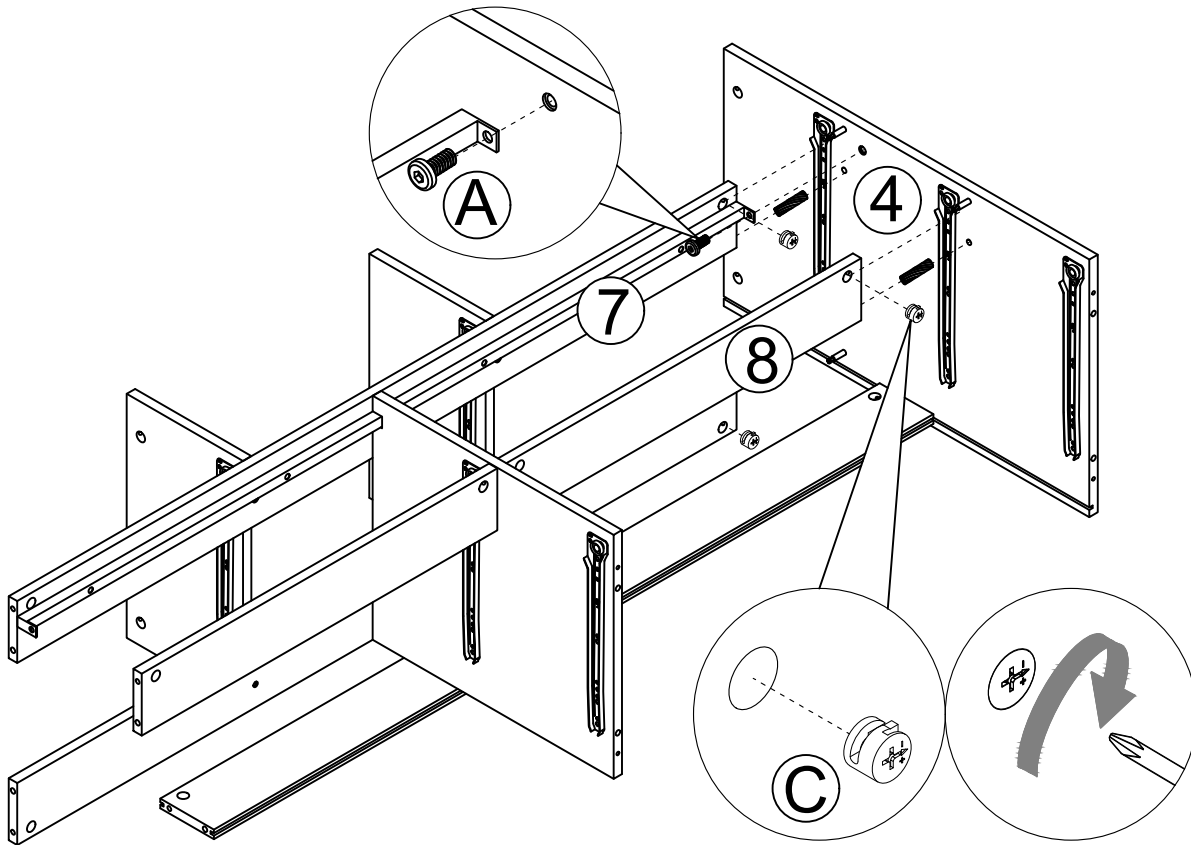
-  $\phi 6 \times 64\text{mm}$
- Y** x 1
-  $\phi 8 \times 50\text{mm}$
- W** x 1
-  $\phi 15 \times 9\text{mm}$
- C** x 2




Step 12



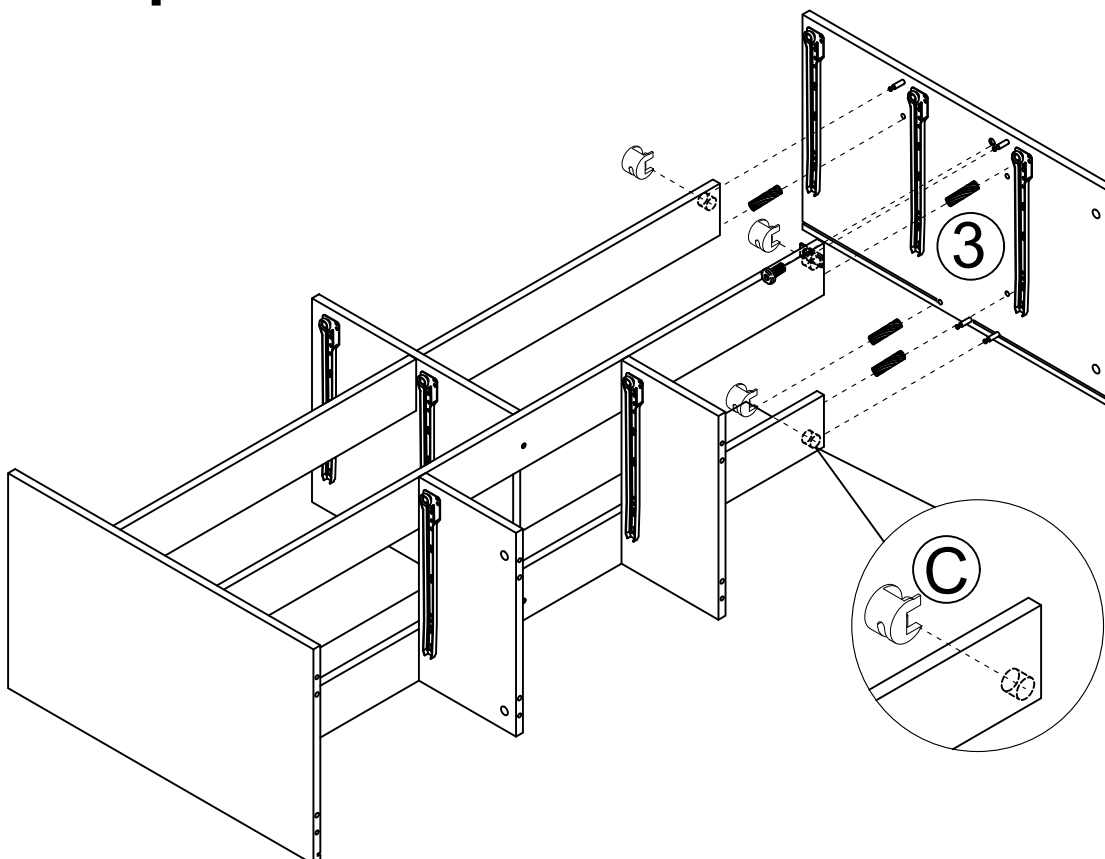
-  $\phi 15 \times 9\text{mm}$
- C** x 1
-  $\phi 8 \times 30\text{mm}$
- F** x 1




Step 13



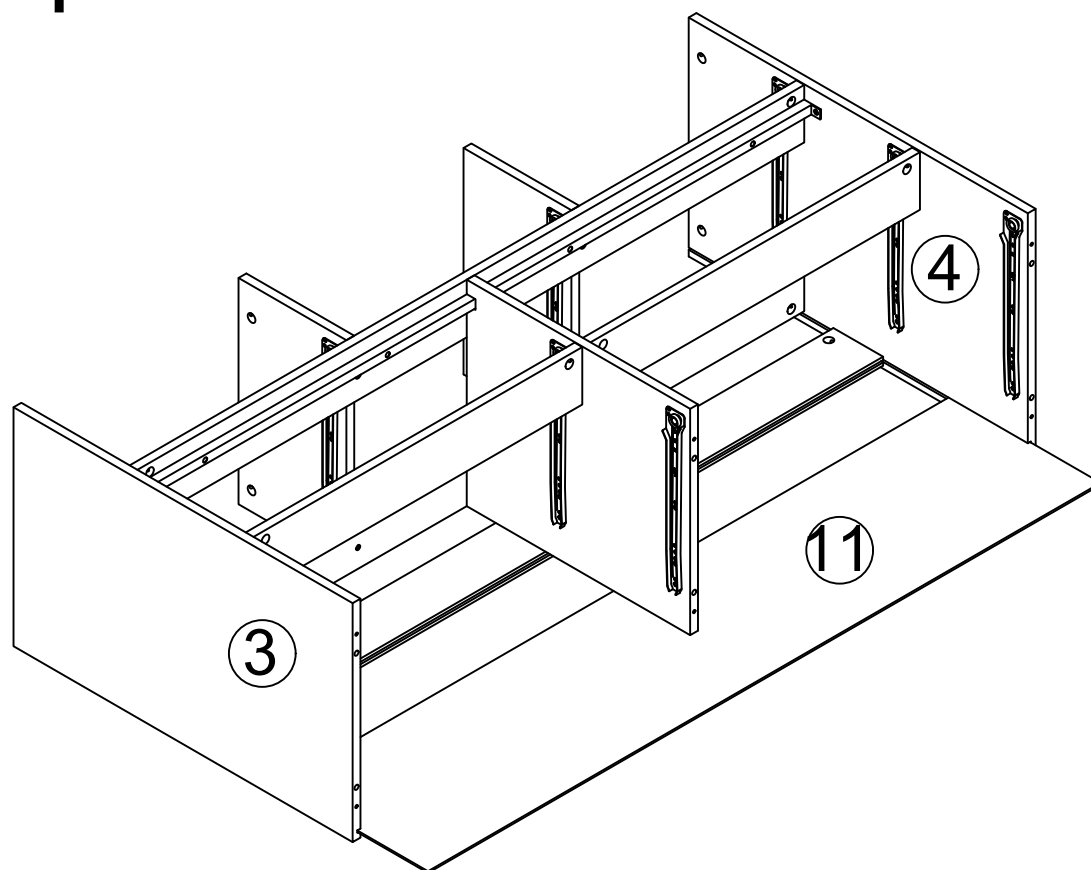
	M6*12mm
A x 1	
	φ15 x 9mm
C x 3	
	φ8 x 30mm
F x 3	

Step 14

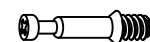
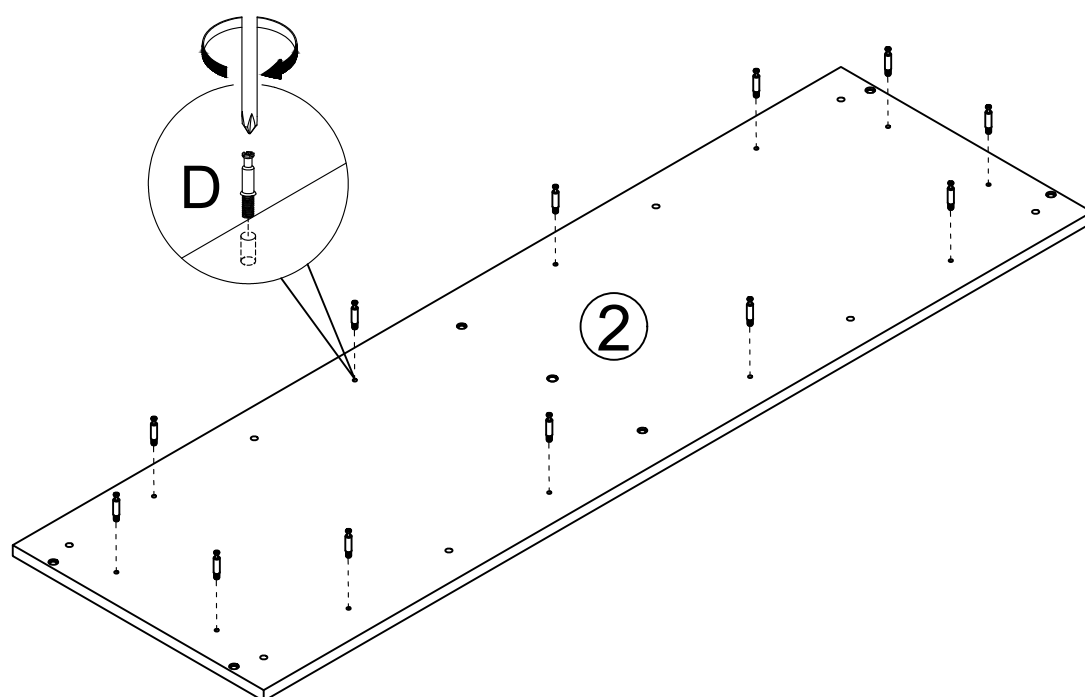


	M6*12mm
A x 1	
	φ15 x 9mm
C x 4	
	φ8 x 30mm
F x 4	

Step 15

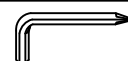


Step 16



φ6 x 35mm

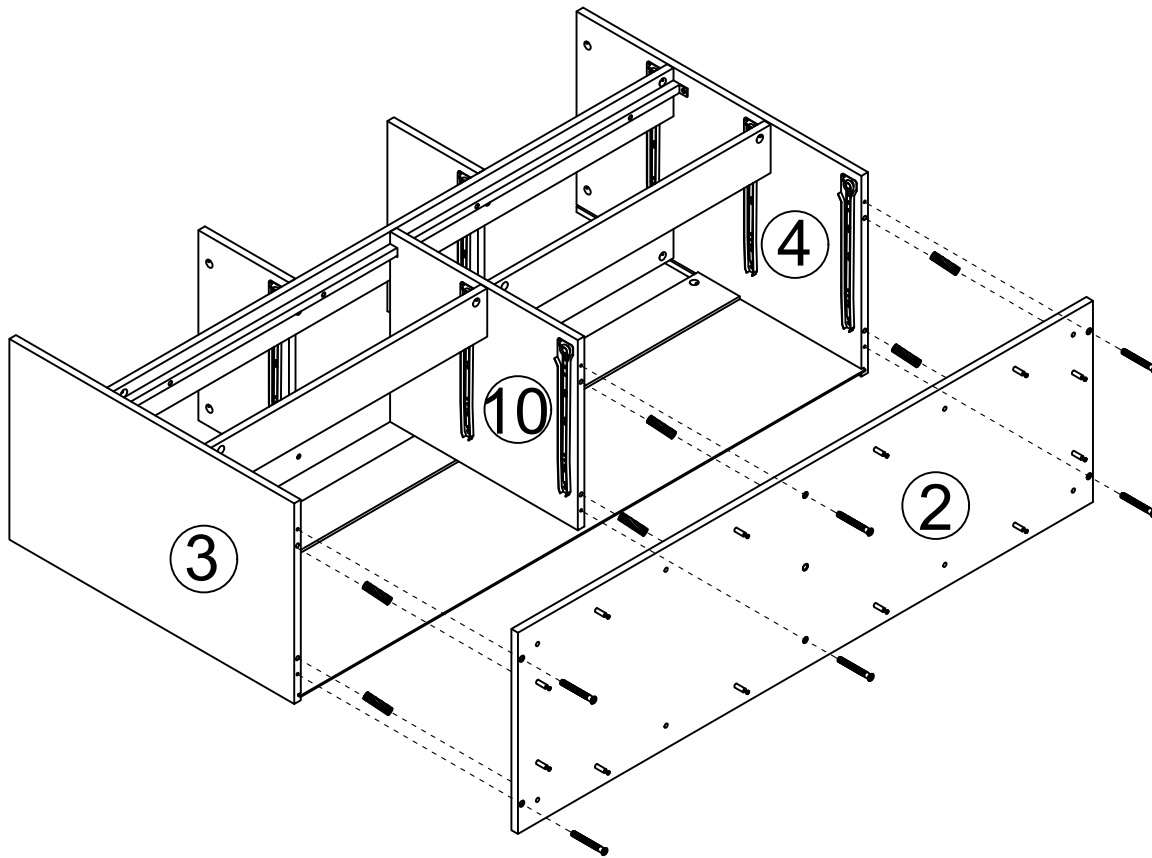
ⓓ x12



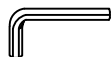


M4

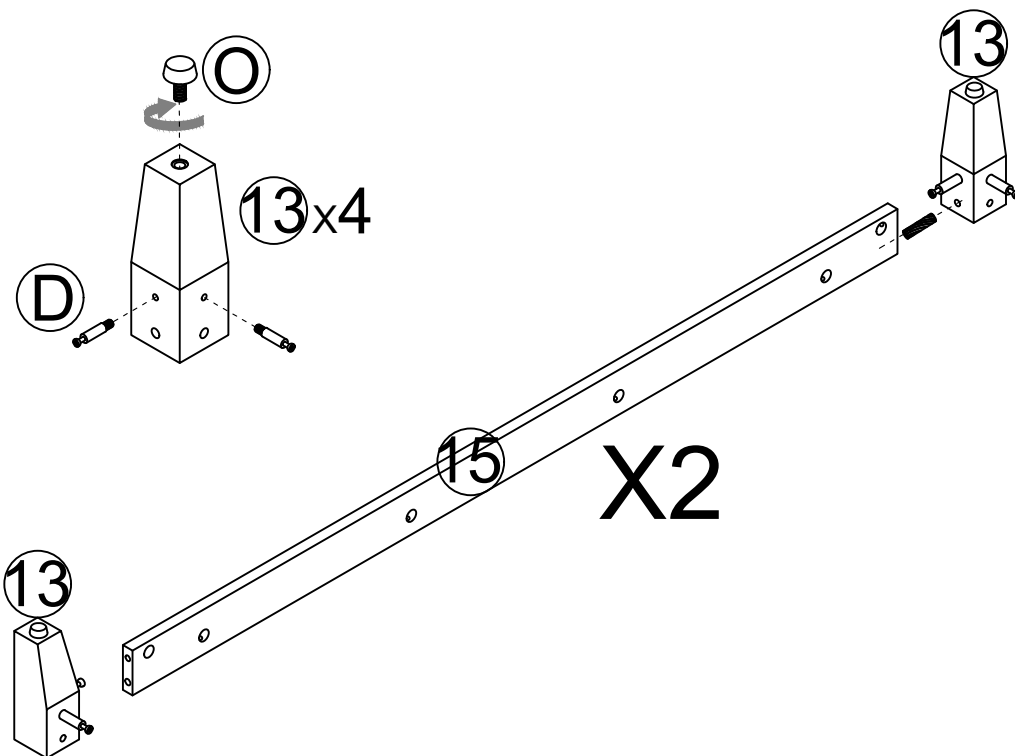
Ⓣ



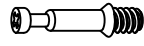

Step 17



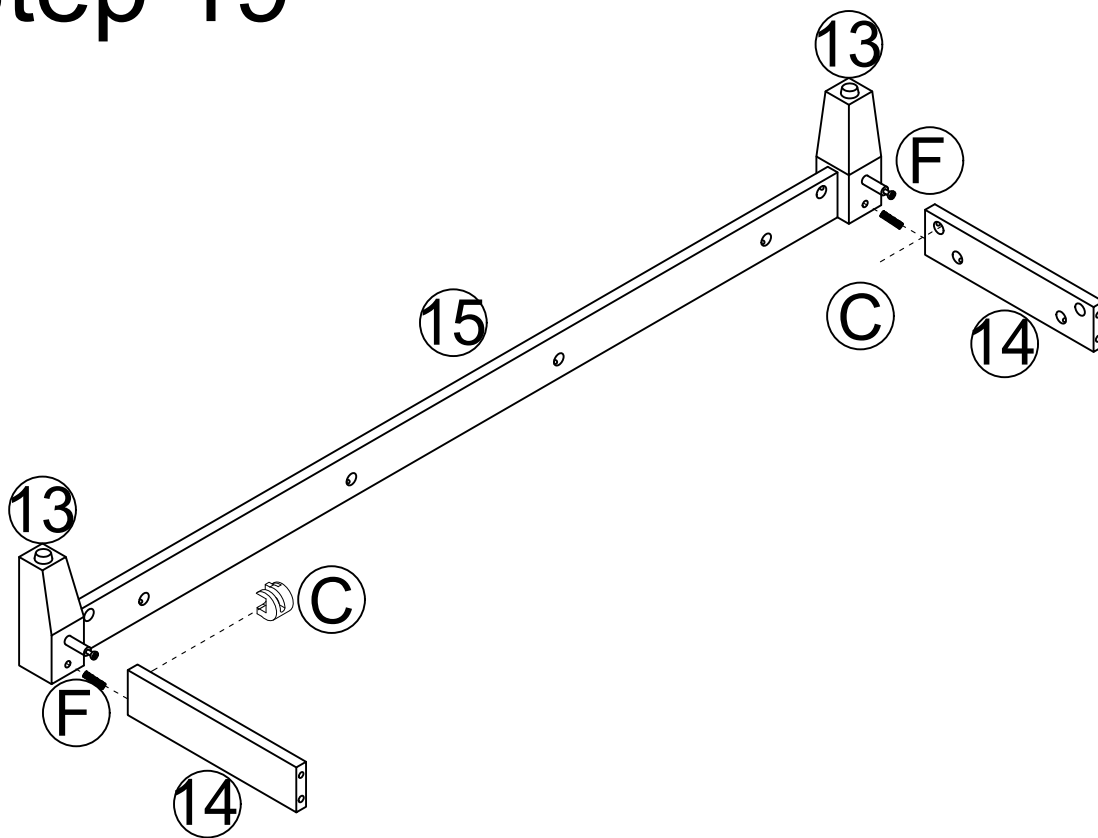

M5*48mm
G x 6

φ8 x 30mm
F x 6

M3
V x 1



Step 18



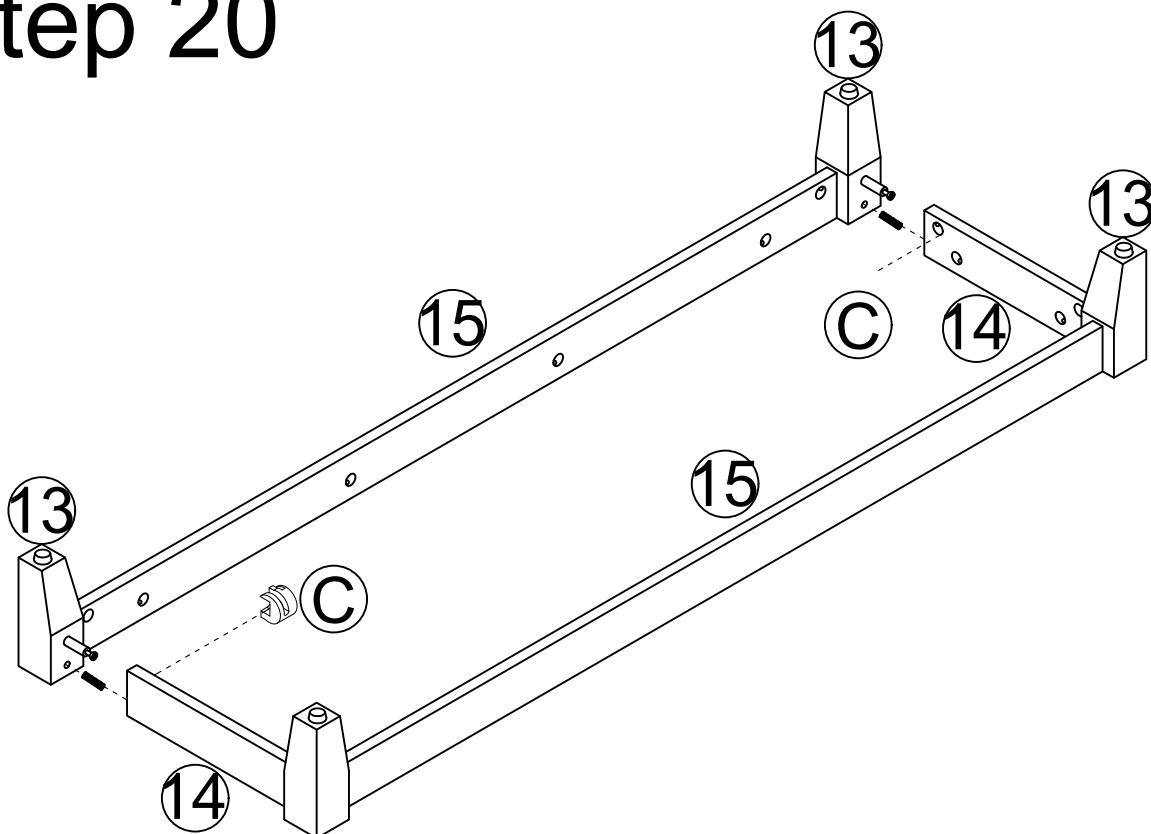

φ8 x 30mm
F x 4

M6*18mm
O x 4

φ6 x 35mm
D x 8

φ15 x 9mm
C x 4



Step 19



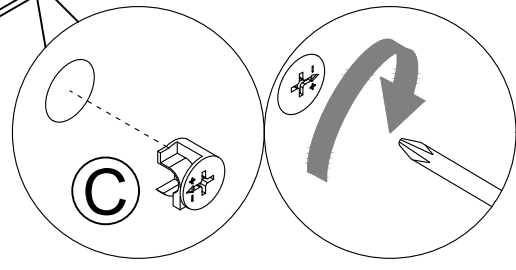
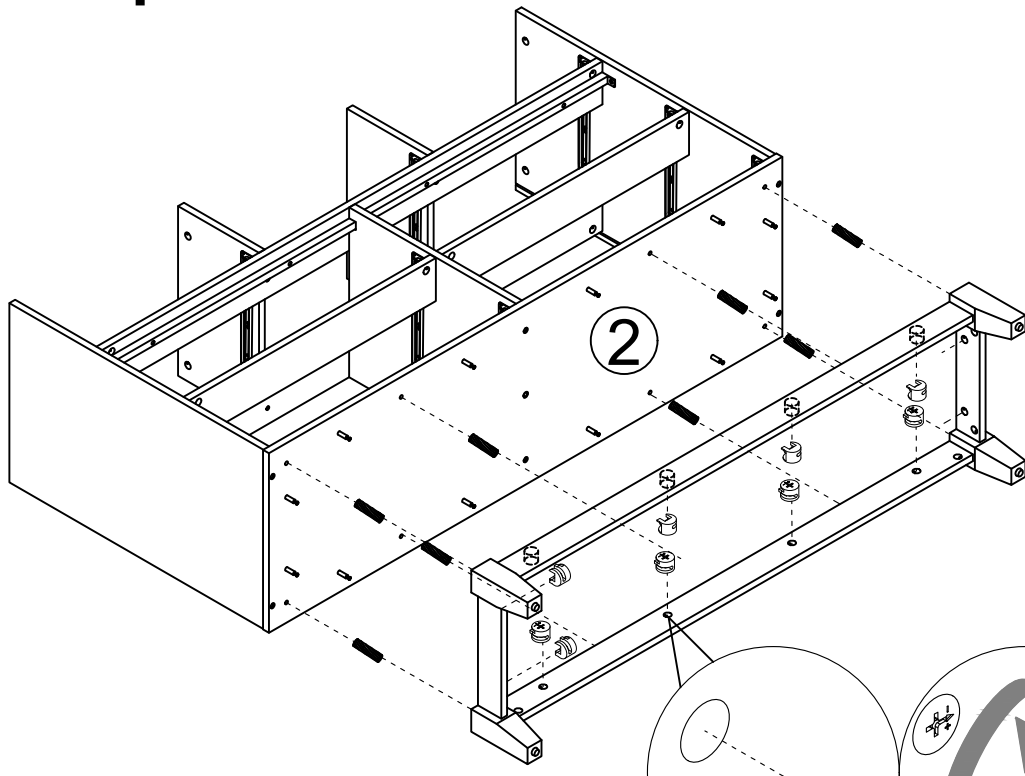

φ15 x 9mm
(C) x 2

φ8 x 30mm
(F) x 2



Step 20



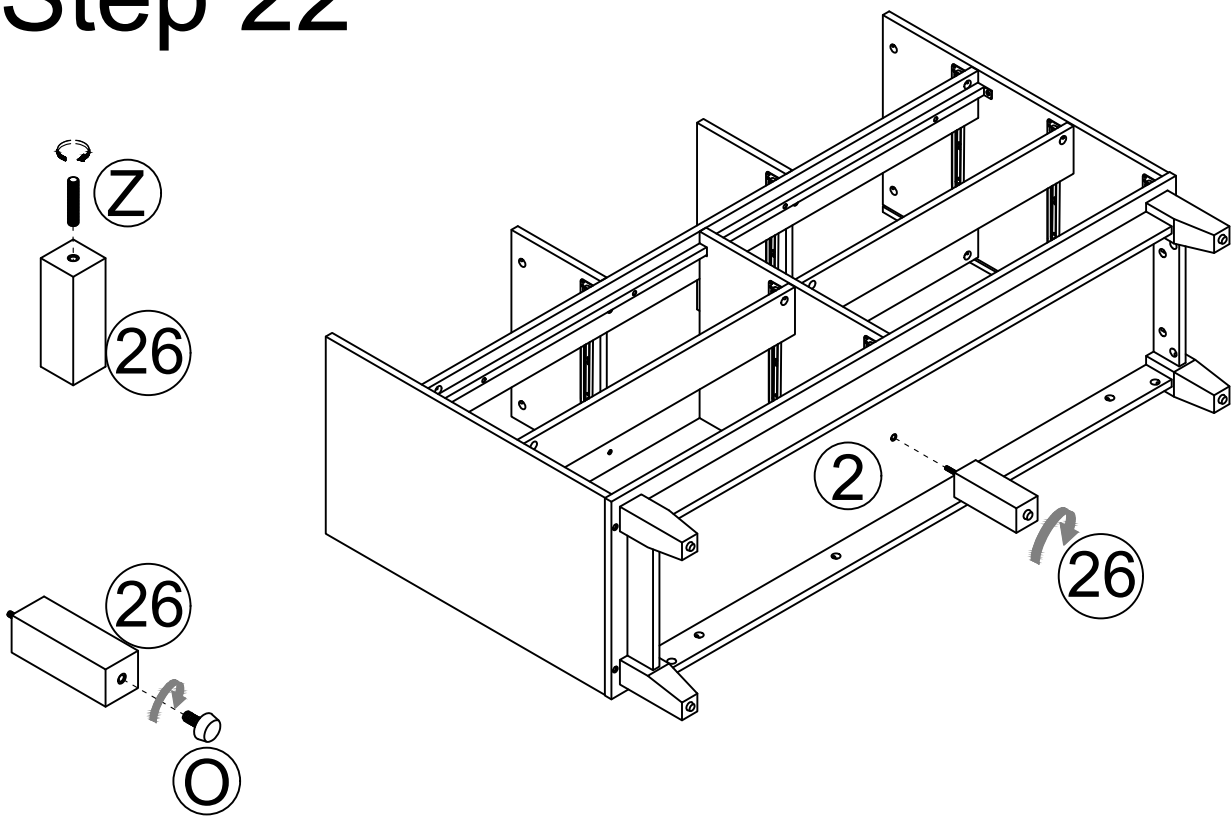

φ15 x 9mm
(C) x 2

φ8 x 30mm
(F) x 2



Step 21



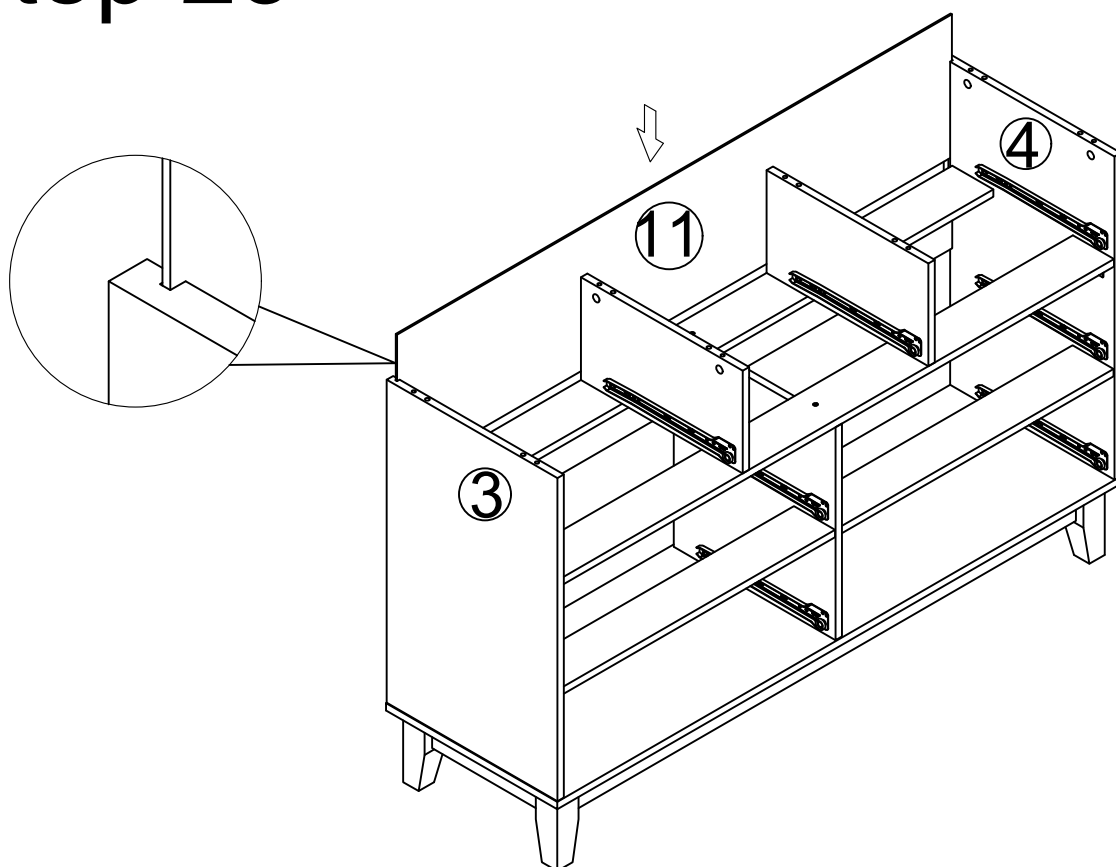
-  $\phi 15 \times 9\text{mm}$
- C** x12
-  $\phi 8 \times 30\text{mm}$
- F** x 8

Step 22

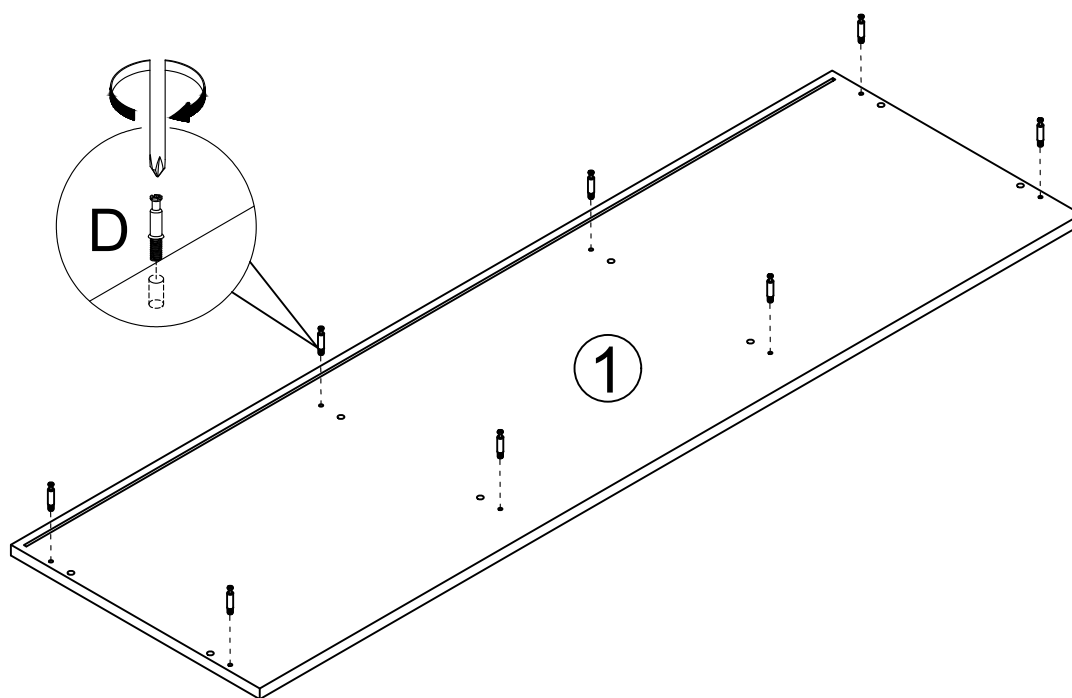


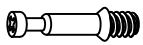

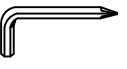

-  $M6 \times 30\text{mm}$
- Z** x 1
-  $M6 \times 18\text{mm}$
- O** x1

Step 23

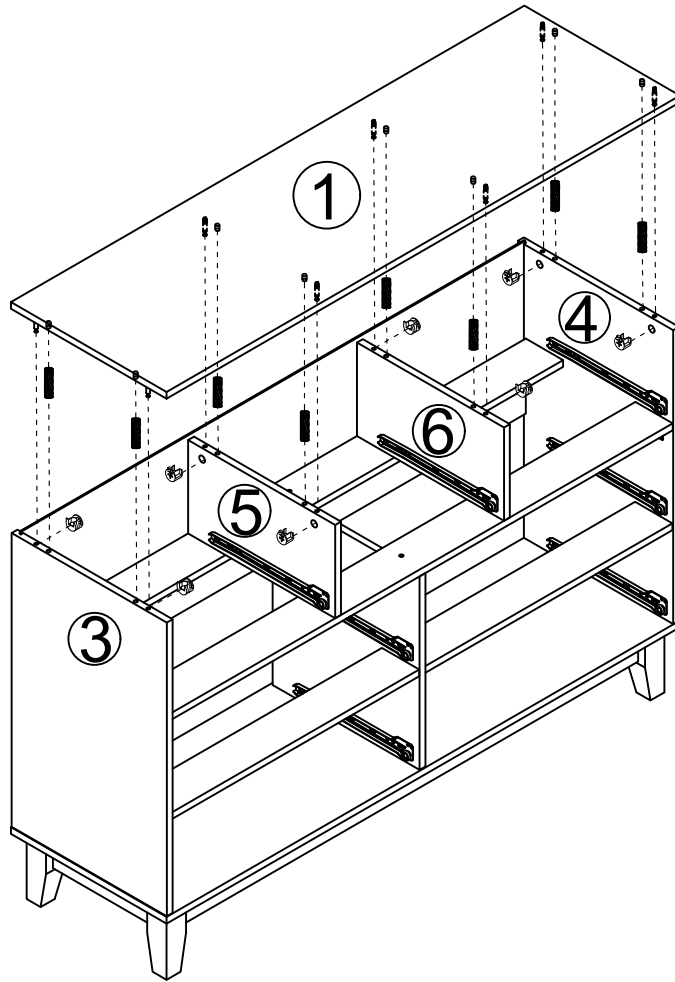
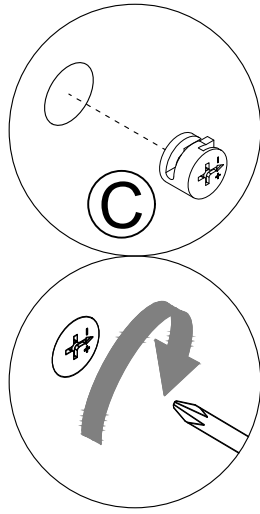




Step 24



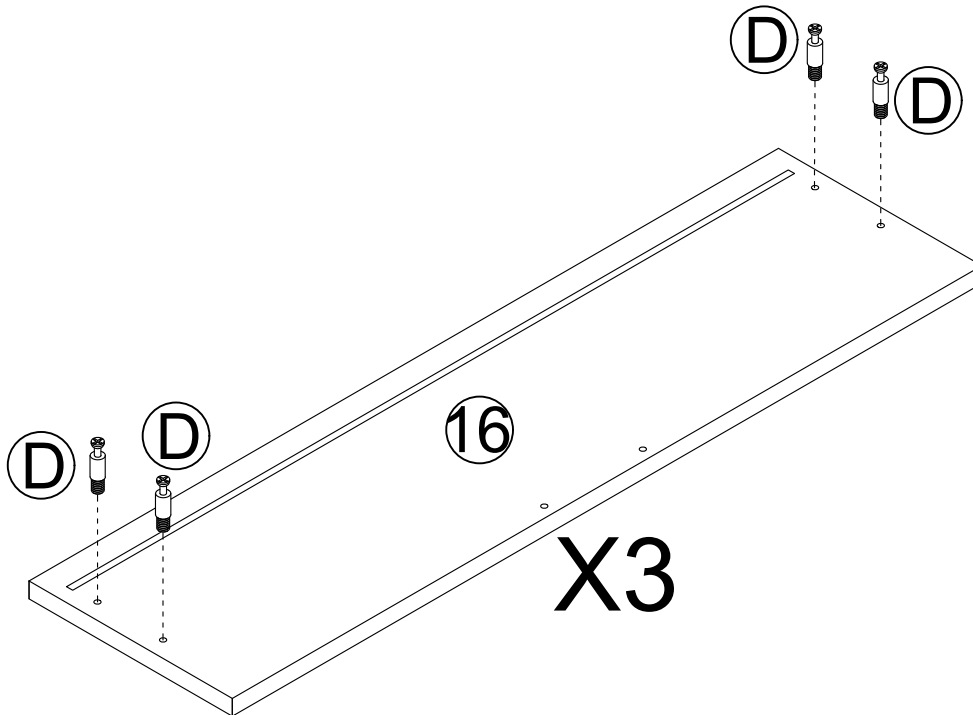

$\phi 6 \times 35\text{mm}$
 x8
 M4


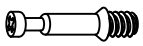
Step 25



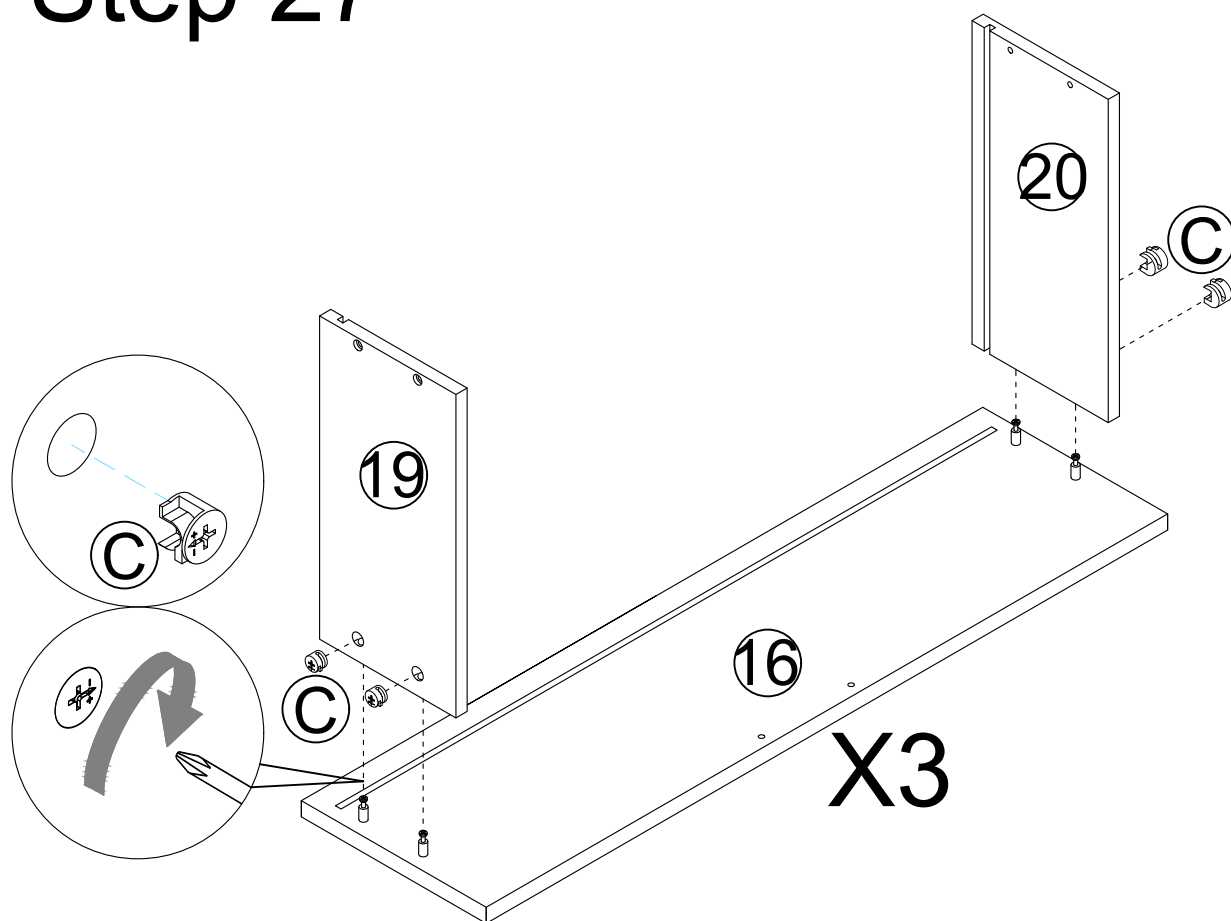
-  $\phi 15 \times 9\text{mm}$
- C** x 8
-  $\phi 8 \times 30\text{mm}$
- F** x 8

Step 26

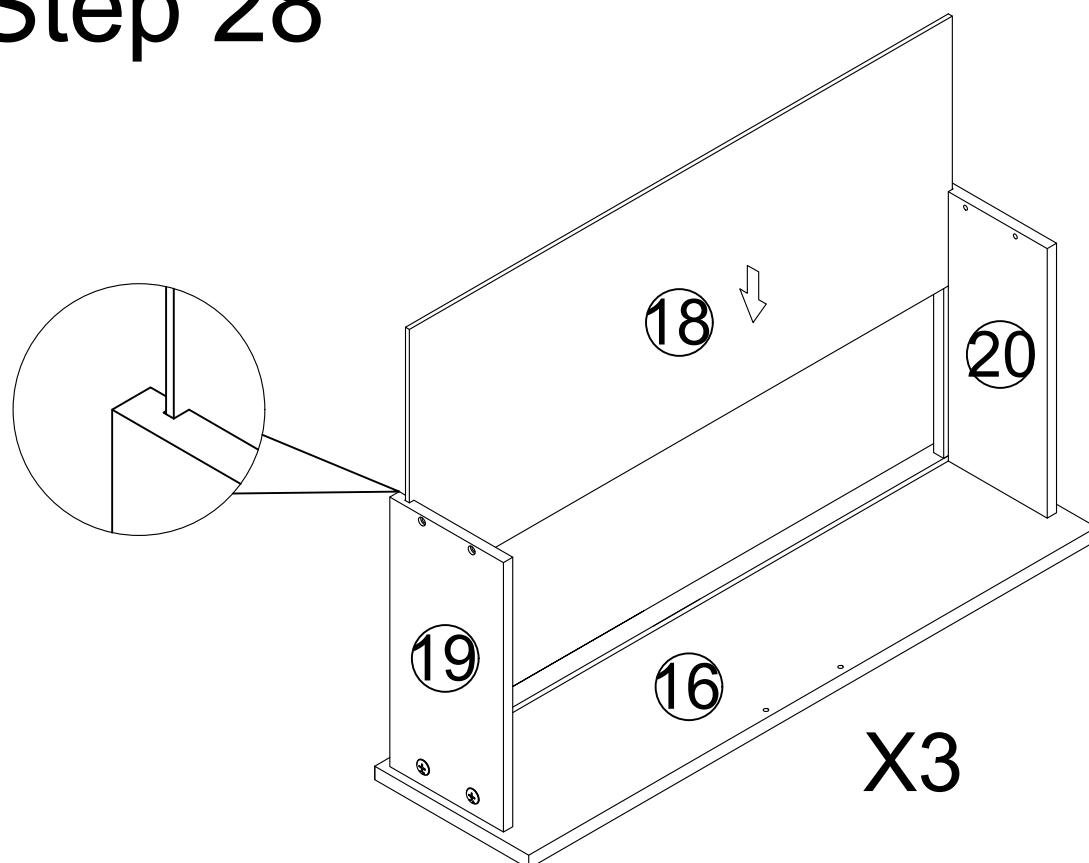


-  $\phi 6 \times 35\text{mm}$
- D** x 12

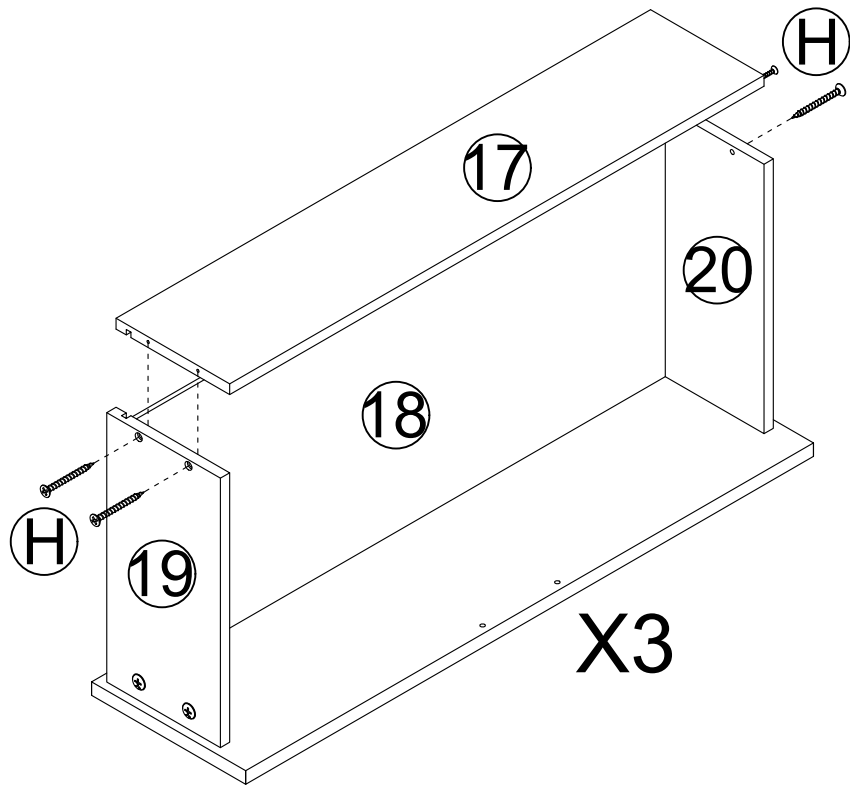
Step 27




Step 28

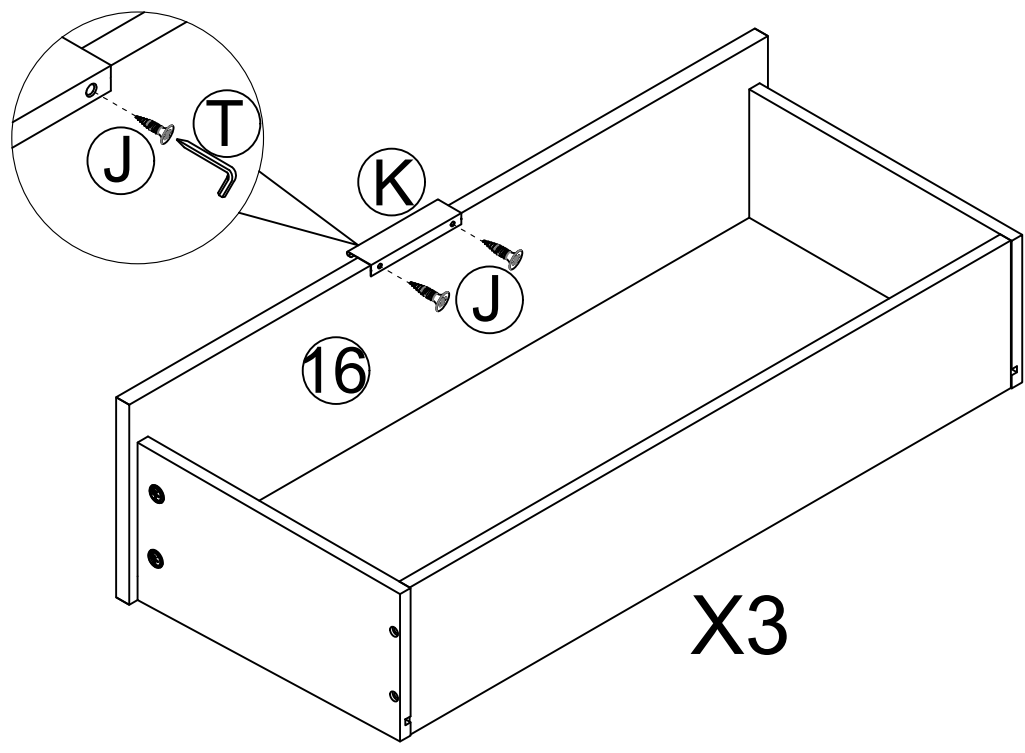


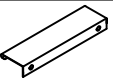

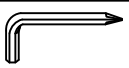
Step 29



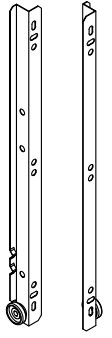
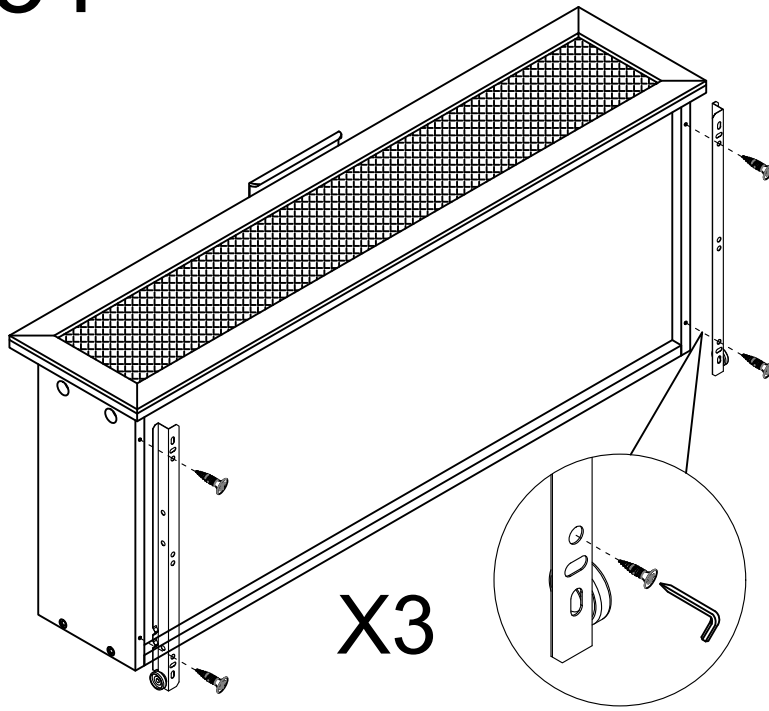
-  M4*25mm
- (H)** x12

Step 30



- 
- (K)** x3
-  $\phi 3.5 \times 12\text{mm}$
- (J)** x6
-  M4
- (T)**

Step 31

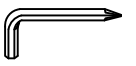


L x3



Ø3.5 x12mm

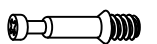
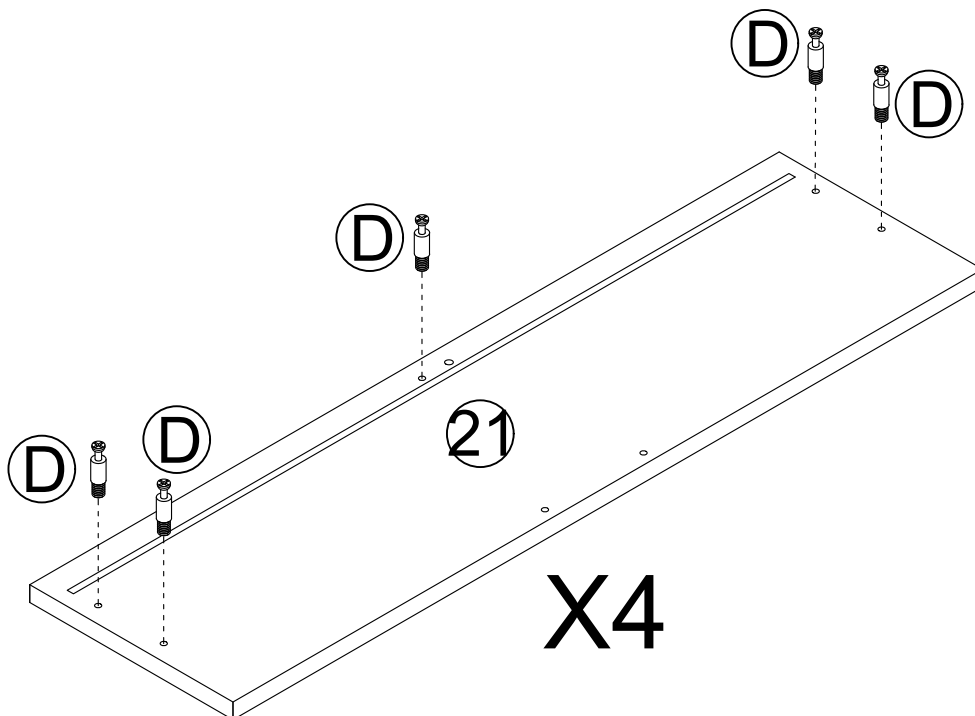
I x12



M4

T

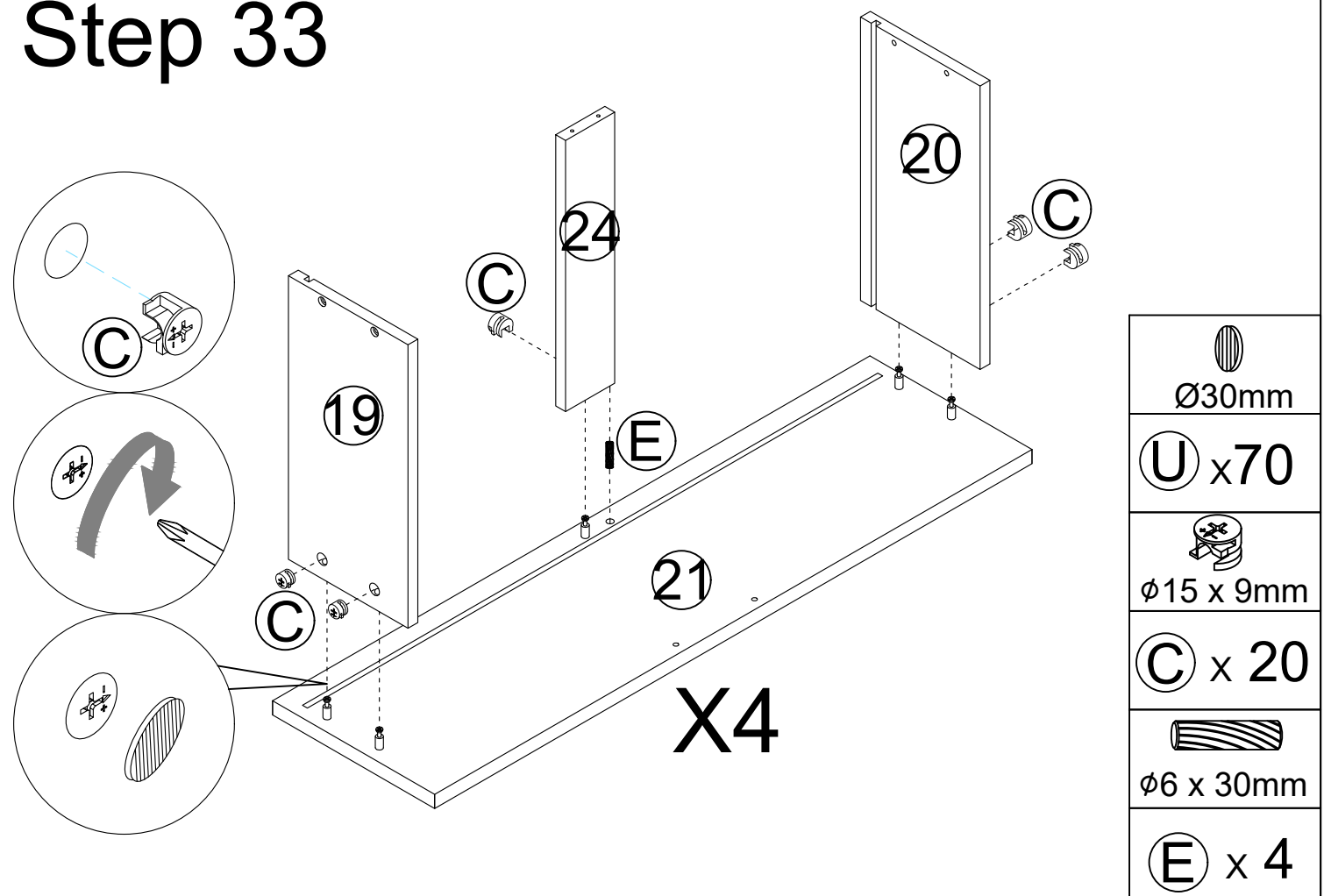
Step 32



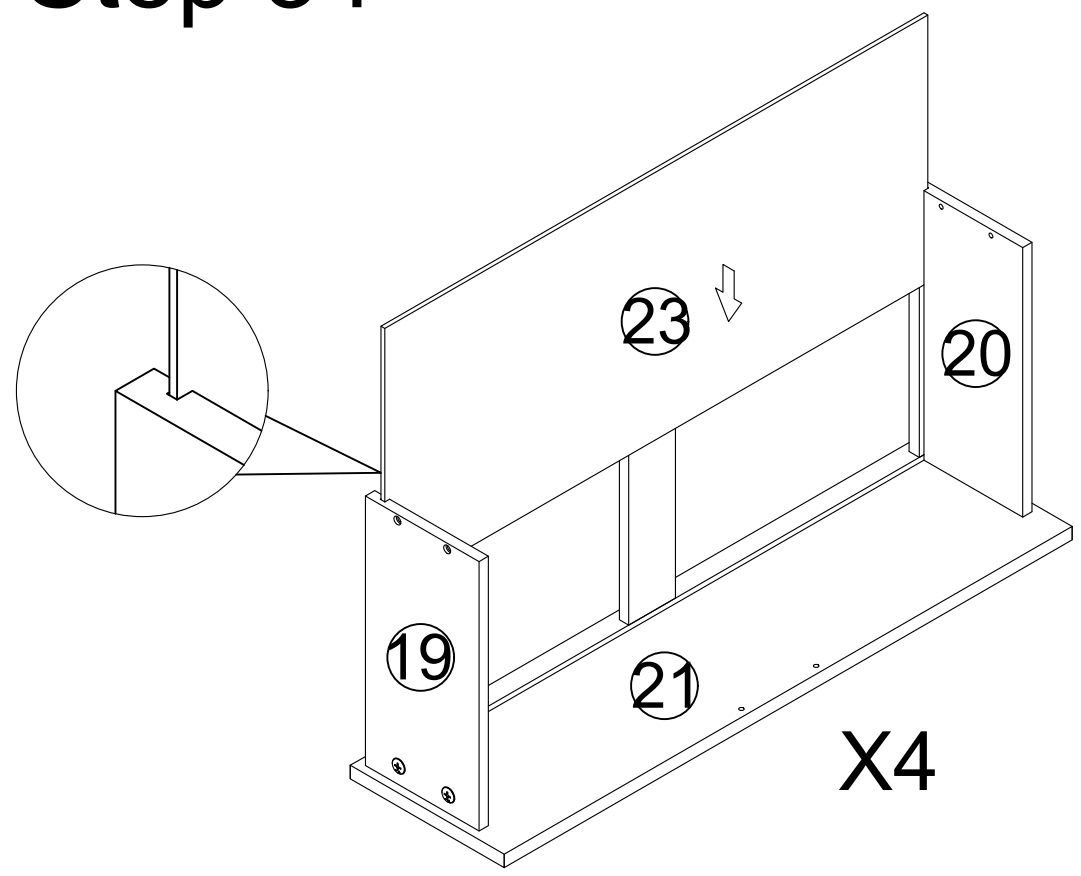
Ø6 x 35mm

D x20

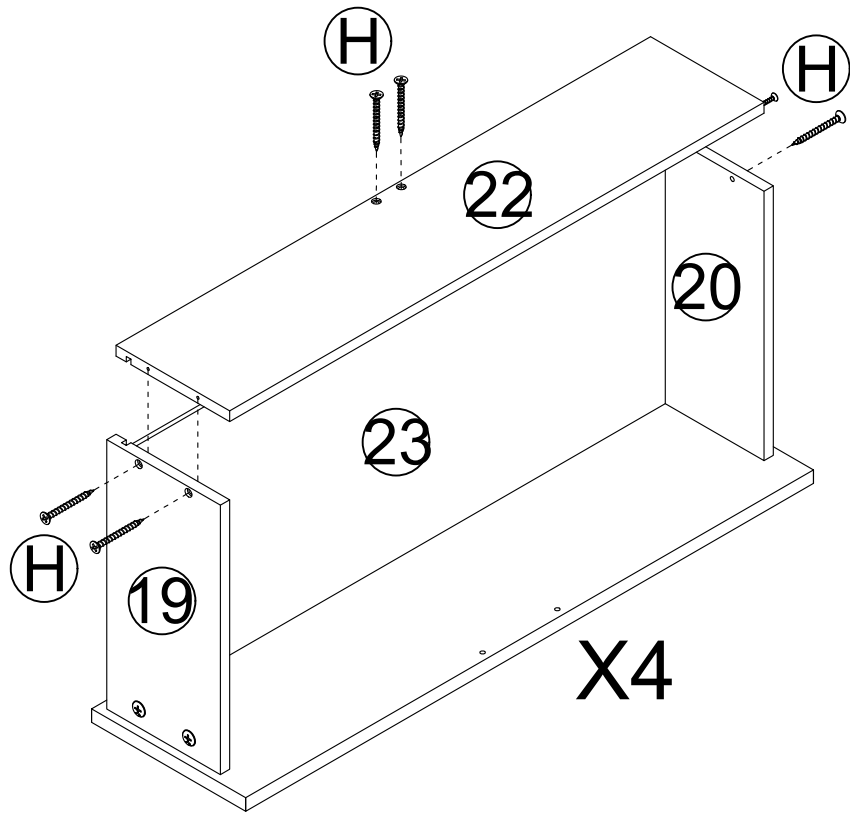
Step 33




Step 34

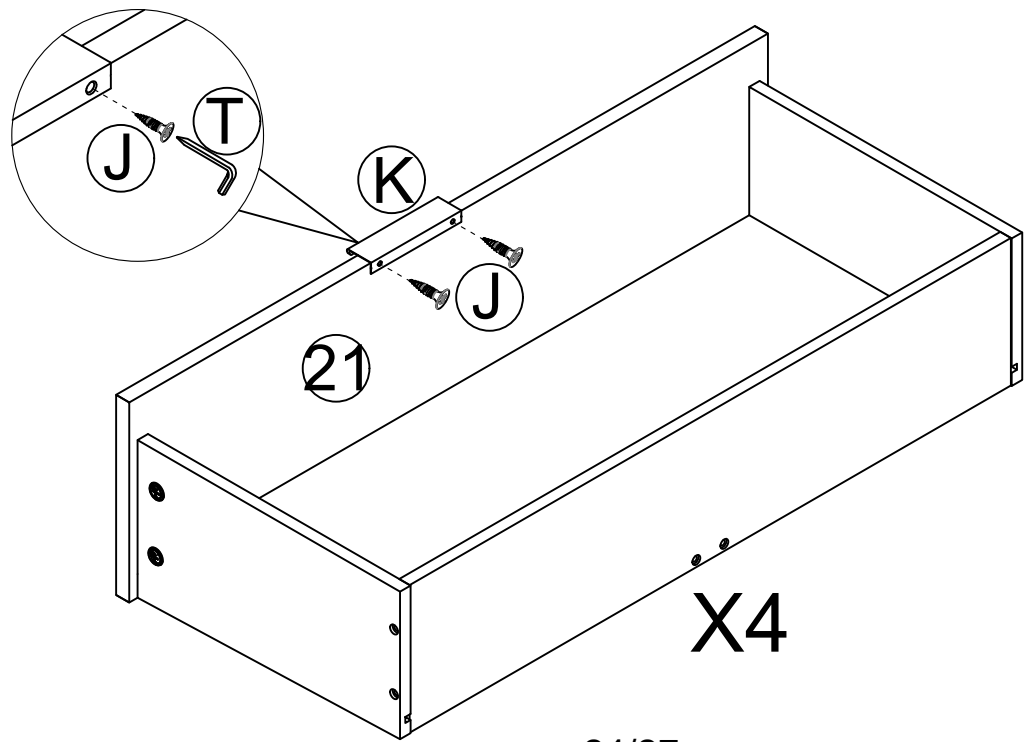




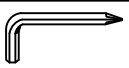
Step 35



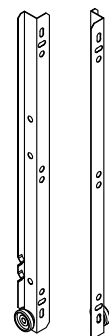
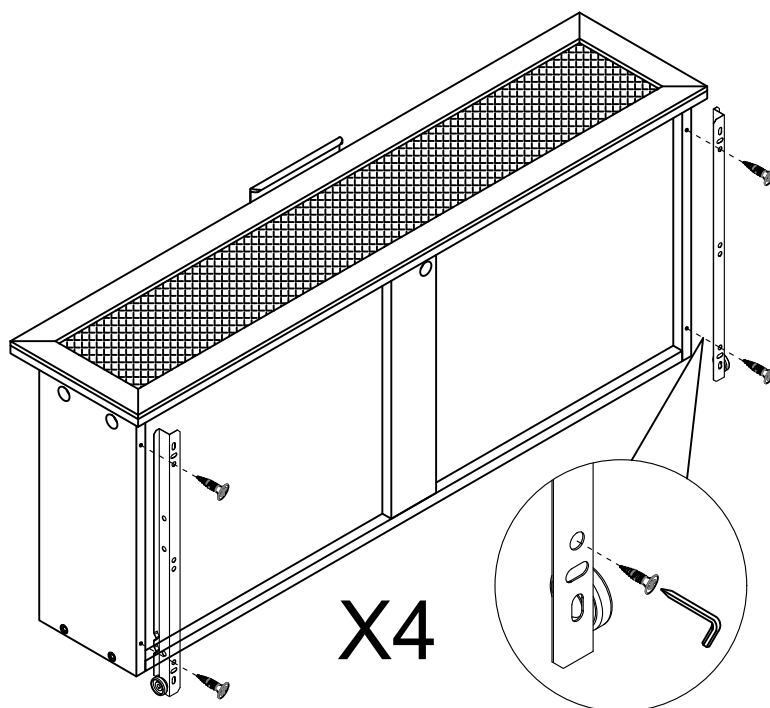
-  M4*25mm
- (H)** x24

Step 36



- 
- (K)** x4
-  $\phi 3.5 \times 12\text{mm}$
- (J)** x8
-  M4
- (T)**

Step 37

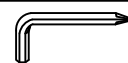


L x4



Ø3.5 x12mm

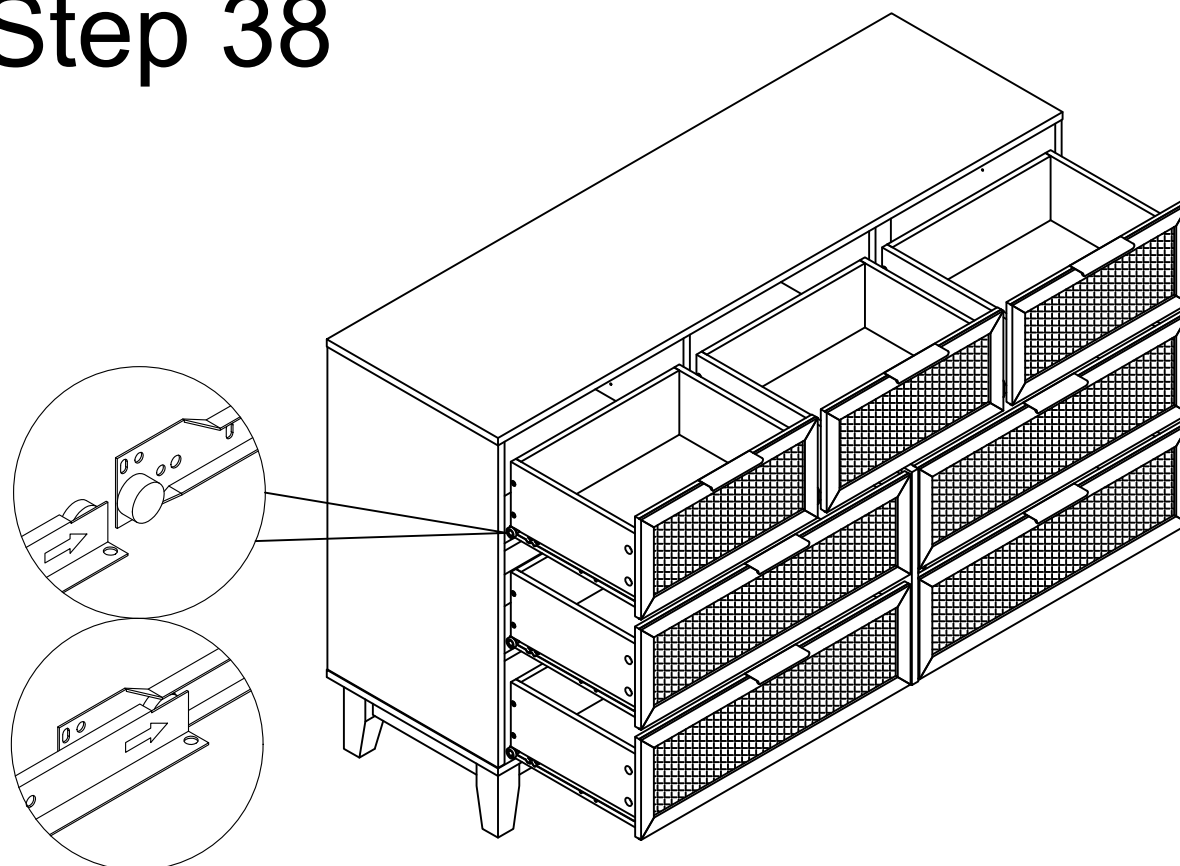
I x16



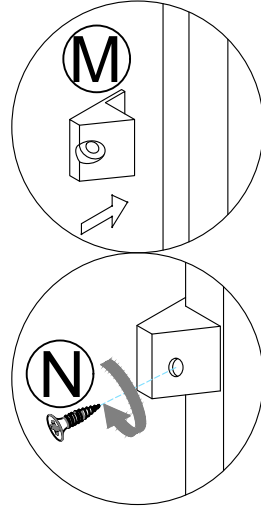
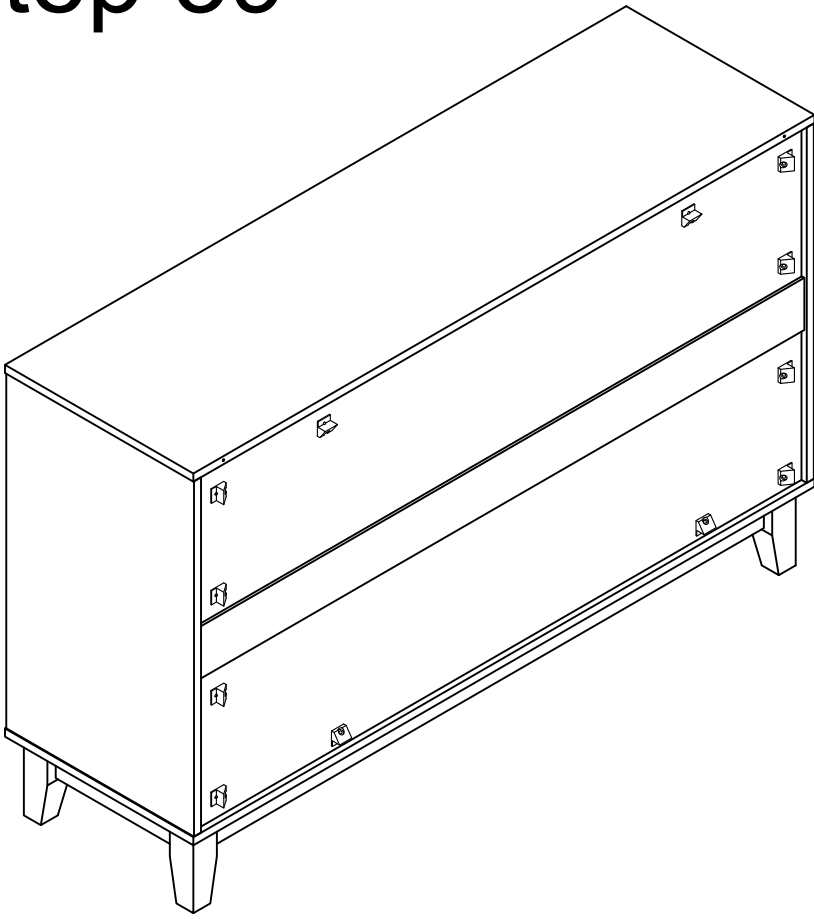
M4



T

Step 38

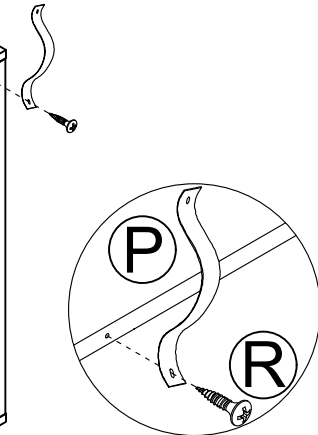
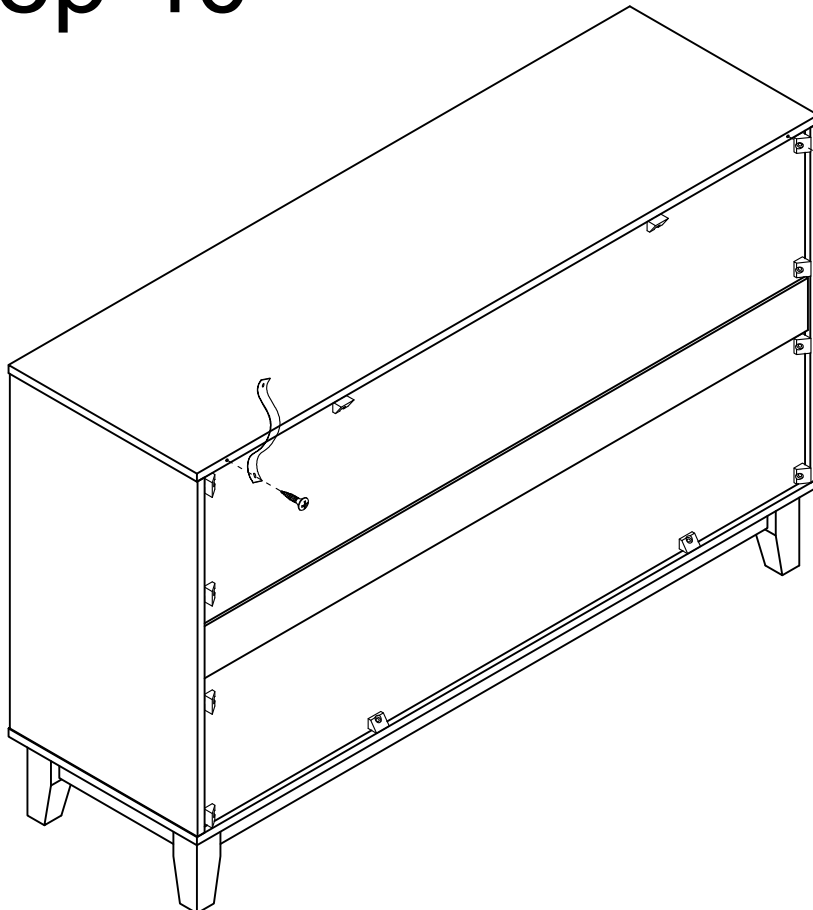




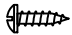
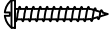
Step 39



 15*15*10mm
M x12
 M3*16mm
N x12

Step 40



 190*20mm
P x2
 Ø8 x 40mm
Q x2
 M4*15mm
R x2
 M4*38mm
S x2

Step 41

