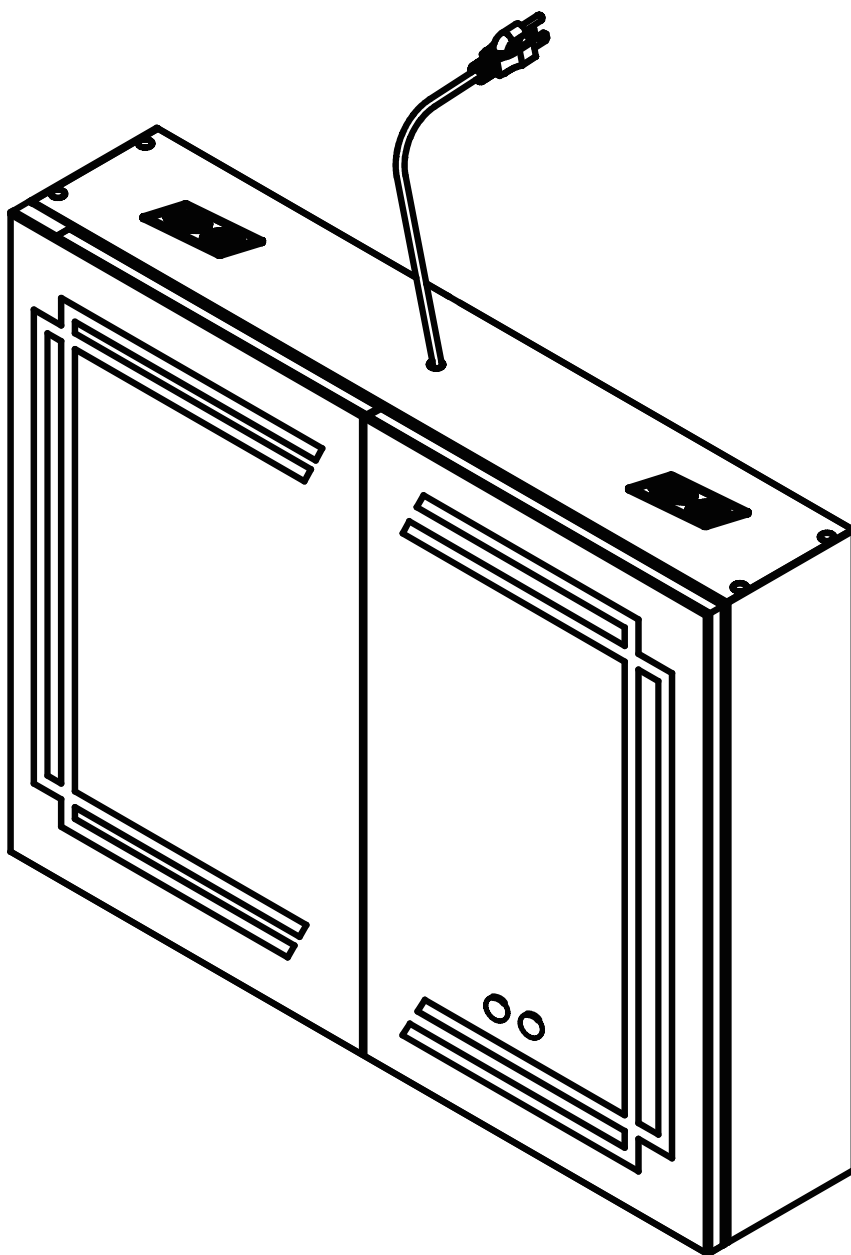


INSTALLATION INSTRUCTION


DeerValley®


Bathroom Intelligent Medicine Cabinet



- Please read these instructions carefully to familiarize yourself with the required tools, materials, and installation sequences. Follow the sections that pertain to your particular installation. This will help you avoid costly mistakes. In addition to proper installation, read all operating and safety instructions.
- These instructions contain important care, cleaning, and warranty information.
- Before installation, carefully inspect the new fixture for any signs of damage.


 **WARNING: Risk of injury or product damage.** Be careful when opening the door to avoid pinching fingers.

 **WARNING:** Do not use acidic or alkaline cleaners or alcohol to clean the surface. Use a dampened cloth to clean.

 **CAUTION: Risk of electric shock.** Electrical wiring may need to be relocated.

Grounding Instructions:

This product should be grounded. In the event of an electrical short circuit, grounding reduces the risk of electric shock by providing an escape wire for the electric current.

 **WARNING: Risk of electric shock.** Improper use of the grounding plug can result in a risk of electric shock.

- If repair or replacement is required, it must be completed by qualified maintenance personnel.
- This product is equipped with specific wires from the factory. If the product is used together with other products, consideration should be given to wiring issues, and connections should be made by qualified service personnel.

**If you have any questions or concerns
please contact us:**

(+1) 312-626-9466
service@deervalleybath.com

Double Touch Switch

Short press: Defogging/Bluetooth signal on or off. The backlight of the button is white when the defogging/Bluetooth signal is turned on, and blue when it is turned off. The defogging/Bluetooth function will automatically turn off after 60 minutes of activation, and the button backlight will turn white. If the user still needs to use the defogging function, it must be manually turned on again.

Light Control: To turn the light on or off, touch the switch on the bathroom mirror with your finger (tap). The light will change color with each tap. Touch the switch on the bathroom mirror with your finger for more than 5 seconds. The light will change luminance.



Required Tools(Not Included)



Electric Drill



Drill Bit (Φ0.3 in)



Tape



Pencil



Spirit Level

Supplied Spare Part



Wall Plugs x3



Screws x3



Hanger x1

ELECTRICAL SAFETY INSTRUCTIONS

All connections must be installed by a licensed electrician in accordance with current building codes. Consult a qualified electrician.

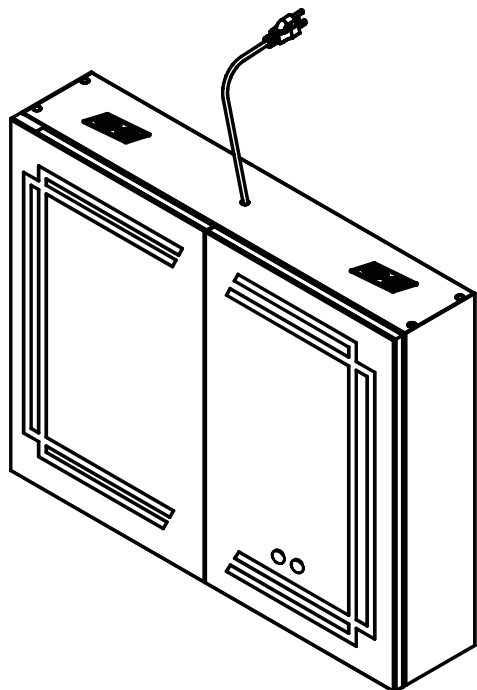
INSTALLATION CARE & SAFETY

Wear suitable eye protection when drilling. Take care when using power tools. Beware of hidden cables or pipes. Take care when drilling on tiled surfaces to prevent the drill from slipping. Applying a piece of masking tape to the wall before marking out the fixing holes will help stop the drill from wandering.

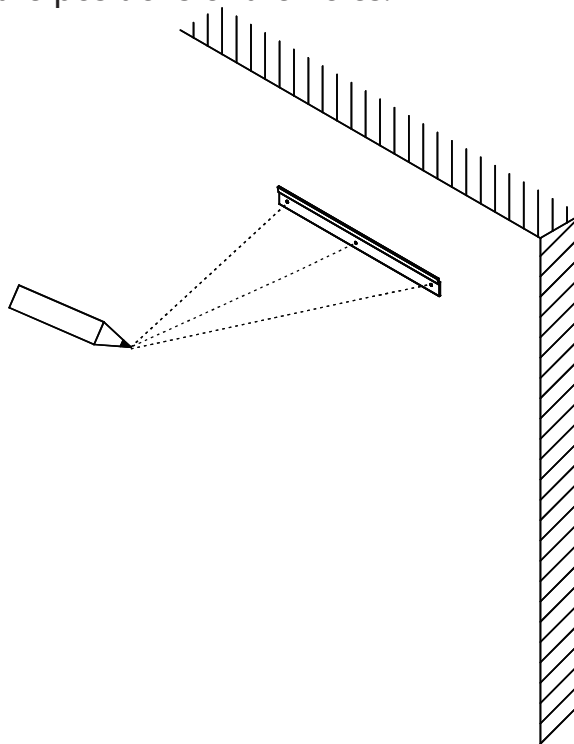
IMPORTANT

DO NOT strike glass components with hard or pointed items. DO NOT place very hot or very cold items against or in close proximity to glass surfaces unless an adequately thick insulation material is used to prevent such items from coming in contact with the glass. If the glass becomes chipped or broken, replace it immediately.

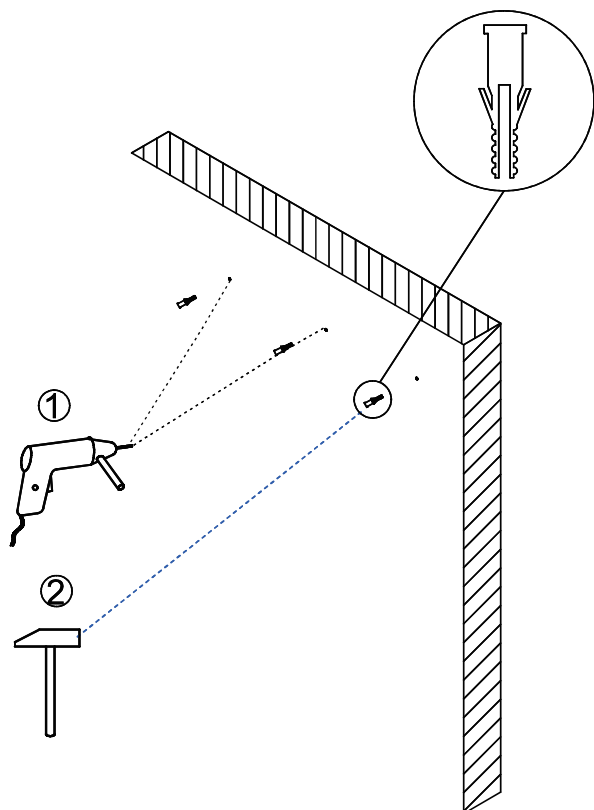
1. Remove the product from the packaging and take out the hanging strip.



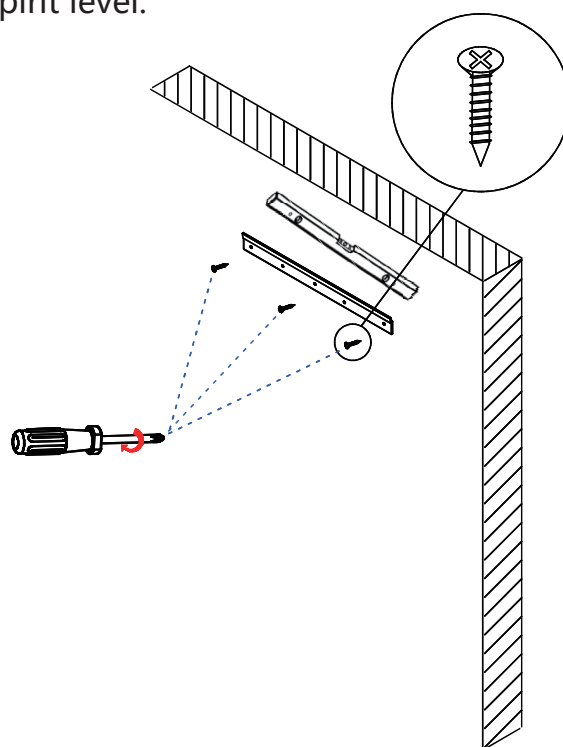
2. Align the hanging strip with the desired location on the wall and mark the positions of the holes.



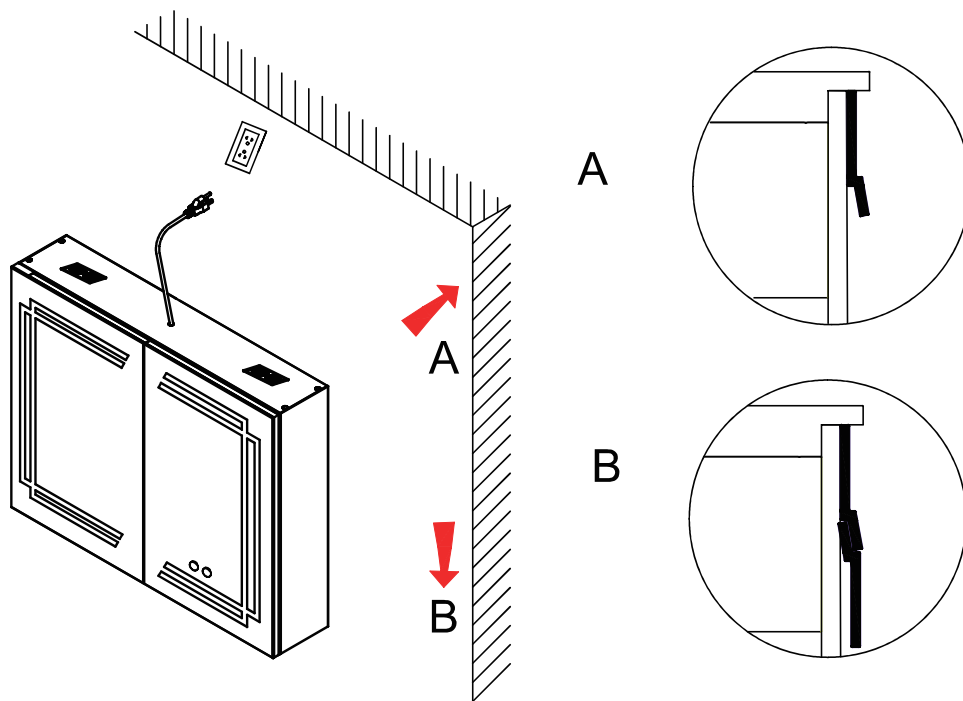
3. Drill the required holes and insert wall plugs.



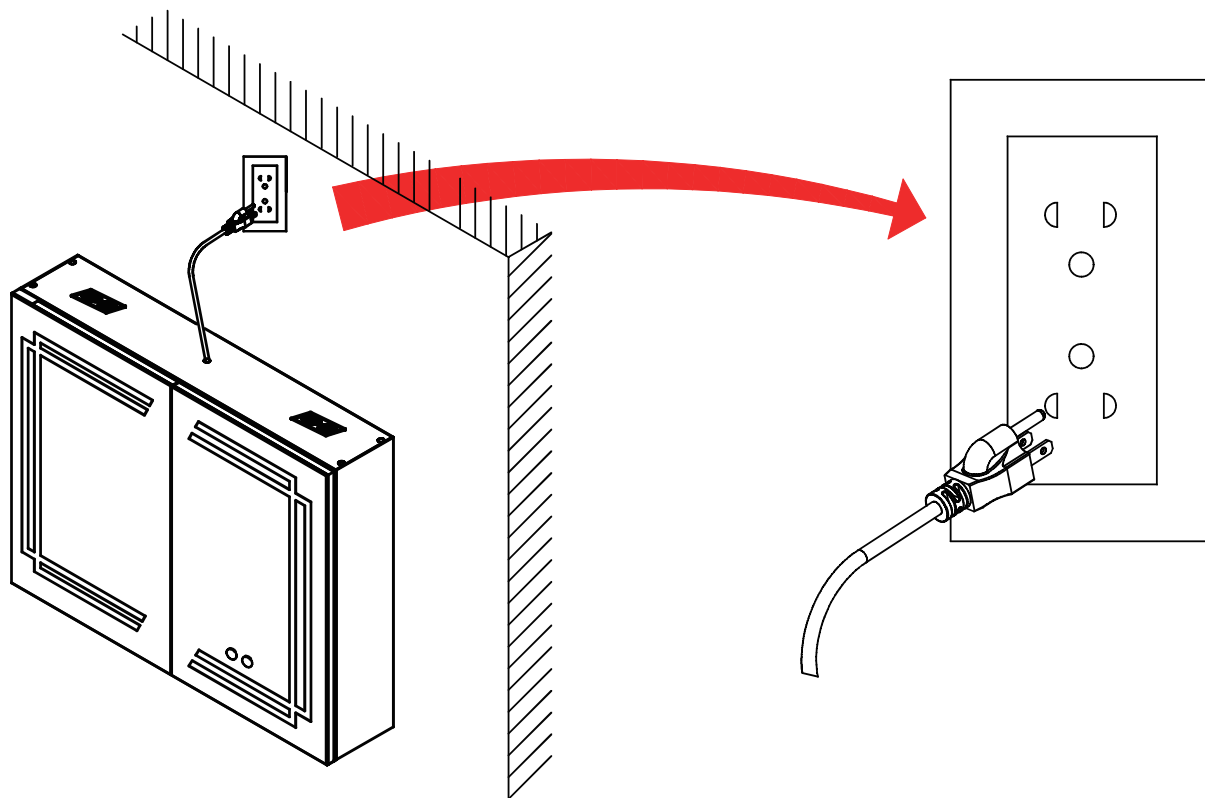
4. Screw the bracket to the wall using the screws, and adjust it with a spirit level.



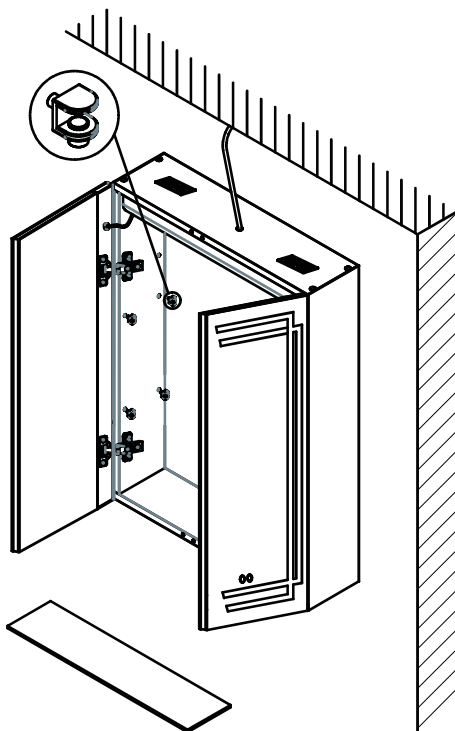
5. Hang the cabinet on the wall bracket. Ensure the claws on the cabinet hangers are securely located on the wall bracket. The position of the cabinet can be adjusted approximately 0.39in to the left or right. Note that due to the large size, two people are needed to install it simultaneously.



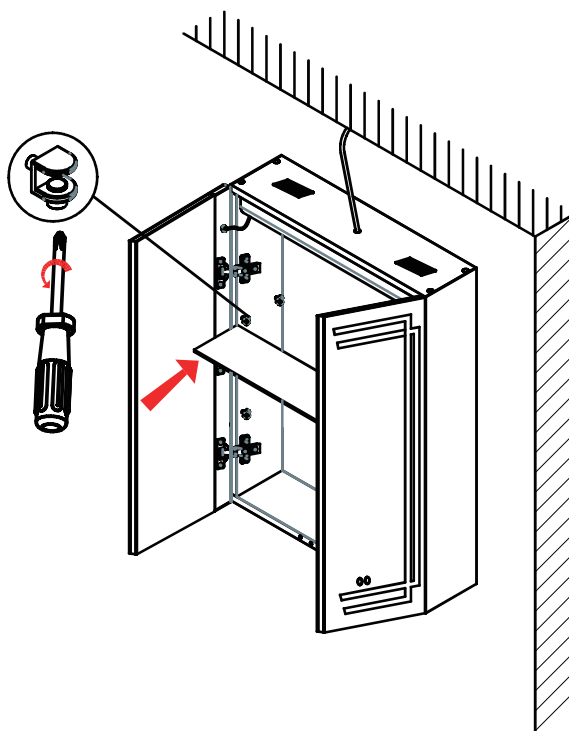
6. After hanging it up, plug in the power supply (pay attention to electrical safety).



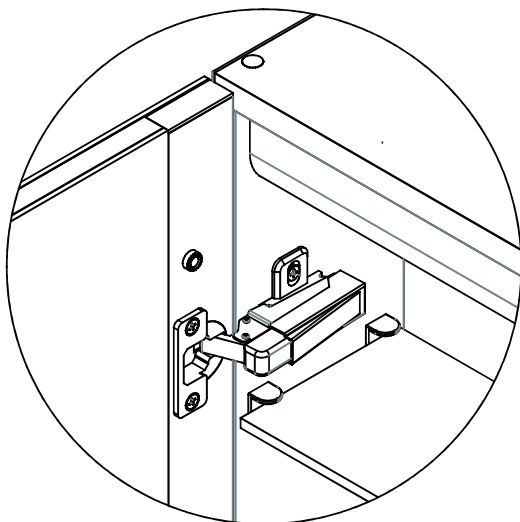
7. Take out the glass clips and laminated tempered glass from the packaging accessories. Install the glass clips on both sides.



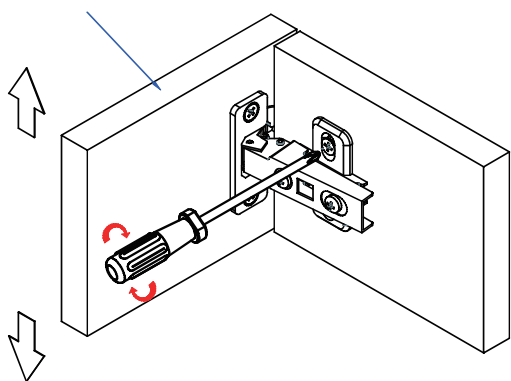
8. After installing the laminated glass, adjust its position to center it. Tighten the glass clips with a screwdriver to secure the laminated glass.



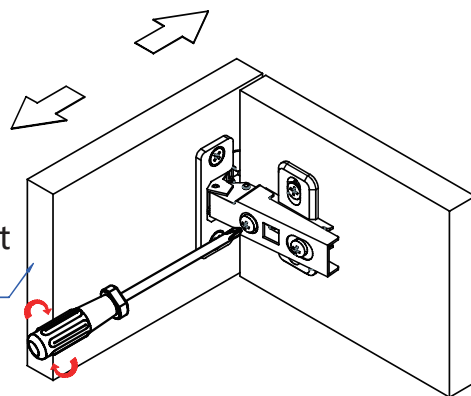
9. Adjust the cabinet door.



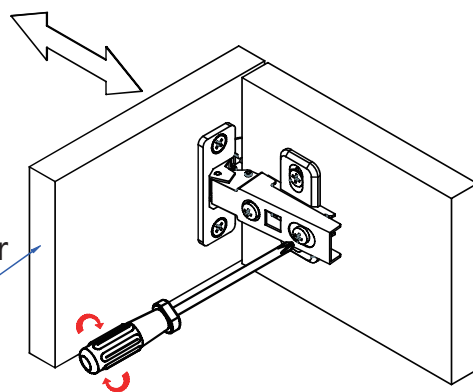
Mirror Cabinet Door



Mirror Cabinet Door



Mirror Cabinet Door



LIMITED WARRANTY COVERAGE

3 YEAR LIMITED WARRANTY

DeerValley products are made with quality materials and excellent craftsmanship to provide the customers a long-lasting product. In the case of any defects in materials or craftsmanship under regular use were inspected in the first three years of delivery, DeerValley will provide replacement parts at no charge, or at its option, replace any product or part of the product that is deemed defective, under normal installation, use, service and maintenance. This warranty applies only to the original purchaser. Proof of purchase will be required in the case of a claim. **SCRATCHES ARE NOT COVERED UNDER WARRANTY.**

The manufacturer warrants this product to be free of manufacture defects during the above mentioned warranty time. Please keep a copy of the original invoice as proof of purchase.

DeerValley will, as its option, (1) repair or replace the defective part(s) or product(s) at no charge; (2) issue a refund of the original purchase price of the product(s) (Valid within 30 days from the date of delivery); or (3) issue a credit to be applied toward the purchase of a new DeerValley product shipping/delivery charges may apply and are in DeerValley sole discretion.

DeerValley recommends the installations to be made by a licensed, professional plumber. DeerValley will not be held responsible for any damage or product failure due to improper installation, misuse, or failure to use a licensed professional. DeerValley is not responsible for any removal or installation cost.

This limited warranty shall not apply to goods which have been subject to accident, negligence, improper installation, product abuse, product misuse, or use of cleaners containing abrasives, alcohol or other organic solvents, whether performed by a contractor, service company, or yourself, are excluded from this warranty.

DeerValley responsibility under this limited warranty is limited to only to replacement parts and no other costs. DeerValley will not be responsible for labor charges and/or damage incurred by installation, repair or replacement, nor for any indirect incidental or consequential damages, losses, injury or costs of any nature relating to this product Except as provided by law, this limited warranty is in lieu of and excludes all other warranties, conditions, and guarantees, whether expressed or implied, statutory or otherwise, including without restriction those merchantability of fitness for use.

RESPONSIBILITIES OF OTHERS

Inspecting the unit prior to installation is the responsibility of the installer or building contractor who acts on behalf of the user. They are responsible for ensuring the unit is free of defect or damage.

Notices are placed on and in the unit and on the shipping carton advising the installer of this responsibility.

In the event of a problem, the unit must not be installed. DeerValley is not responsible for failures or damage that could have been discovered, repaired, or avoided by proper inspection and testing prior to installation.

Damage occurring in transit is the responsibility of the carrier. The user or installer **MUST** open the crate and inspect the unit for damage when it is delivered. If damage is discovered, it must be reported immediately to the seller and the carrier in writing, and an inspection requested. Failure of the carrier to respond should be reported to the seller and the carrier. Your freight claims should be filed promptly thereafter.

LIMITATIONS AND EXCLUSIONS

This warranty does not cover instances of negligence, misuse, abuse, improper installation, carelessness, accident, hard water or mineral deposits, exposure to corrosive materials, misapplication, damages caused by improper maintenance, alteration of the product, or failure to follow care or installation instructions enclosed with your product. This warranty is void if the DeerValley is subject to alteration, or if repairs are attempted by anyone other than an authorized agent of DeerValley. This warranty does not extend to plumbing or components installed by dealers, installers or by any party other than DeerValley.

DeerValley will not be liable for loss of use of the DeerValley inconvenience, or any other incidental or consequential costs, expense or damages. Please note that some states do not allow the exclusion or limitation of incidental damages.

DISCLAIMER

Except as expressly provided, there shall be no warranty or obligation, express or implied, oral or statutory. No dealer or other person has the authority to make any warranties or representations concerning DeerValley or its products. In no event shall DeerValley be held responsible for any such warranties or representations.

WARRANTY SERVICE

NOTE: When requesting warranty, be sure to have the following:

- Copy of original invoice
- Date of installation
- Description and pictures of defect
- Model number or description of model

To obtain warranty service and replacement part, please contact DeerValley Customer Service. DeerValley will determine whether to repair or replace your product, issue a refund, or issue a credit.