

## WARNING

- \* Switch off the main electrical supply from the main fuse box / circuit breaker before installation.
- \* Inspect item carefully before attempting to install.
- \* If there is any damages or obvious defects, do not install.
- \* Item may not be returned once it has been installed.

## CARE AND MAINTENANCE

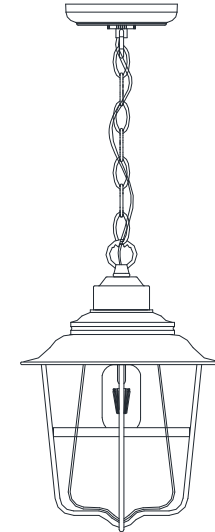
- \* To clean the outside of the fixture, use a dry or slightly dampened clean cloth (use clean water, never a solvent) to wipe the surface of the fixture.
- \* To clean the inside of the fixture, first disconnect power to the fixture by turning off the circuit breaker or by removing the fuse at the fuse box. Next, use a dry or slightly dampened clean cloth (use clean water, never a solvent) to wipe the interior surface of the fixture.
- \* Do not use any cleaners with chemical, solvents or harsh abrasives. Use only a dry soft cloth to dust or wipe carefully.

## NOTICE& IMPORTANT SAFETY INSTRUCTIONS








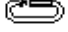





- \* Please make sure that you have all parts indicated before you begin assembly of this item
- \* This item should be assembled on a soft surface to prevent scratching the finish during assembly
- \* To reduce the risk of fire, electrical shock or injury to persons or property, please follow the guideline below for safe use and installation
- \*The external flexible cable or cord of this luminaire cannot be replaced  
If the cord is damaged, the luminaire shall be destroyed

# Owner Manual

Product Dimensions: 8.5"D X 15.5-87.5"H



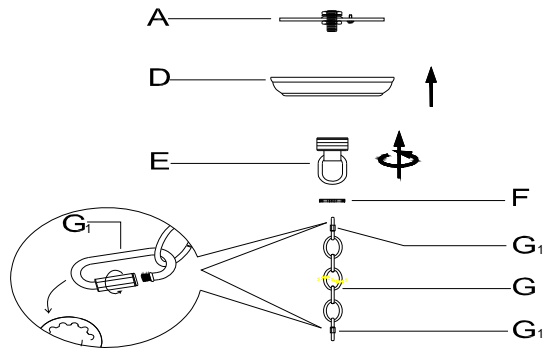
### Part List and Hardware List

PIECE	DESCRIPTION	PICTURE	QUANTITY	PIECE	DESCRIPTION	PICTURE	QUANTITY	PIECE	DESCRIPTION	PICTURE	QUANTITY
A	Mounting plate		1X	F	canopy nut		1X	J	lamp cover		1X
B	wire nut		3X	G	chain		1X	K	Hexagon Nut		2X
C	machine screw		2X	G1	closable link		2X	L	lamp body		1X
D	canopy		1X	H	fixture loop		1X				
E	hanging loop		1X	I	bulb		1X				

## PREPARATION

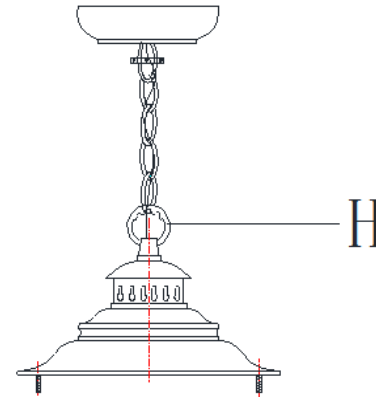
- \* Before beginning assembly of product, make sure all parts are present. Compare parts with package contents list and hardware contents list.
- \* If any part is missing or damaged, do not attempt to assemble the product.
- \* Estimated Assembly Time: 20 minutes.
- \* Tools Required for Assembly (not included): Screwdriver, Junction box
- \* If you are having difficulty, our friendly Customer Care team is always here to help.

**NOTE: PLEASE USE TYPE "A" BULB MAX 25-WATT OR LED BULB MAX 5-WATT, THERE ARE 1PCS LED 9-WATT BULB IN THE BOX**



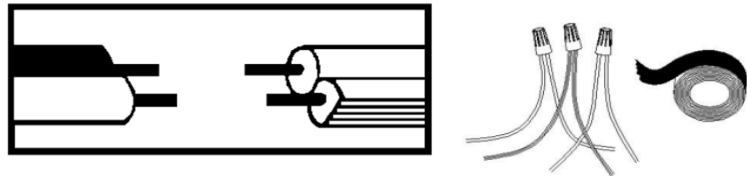
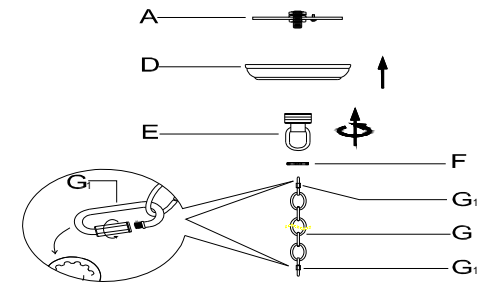
### Step 1:

Unpack all parts from cartons carefully. Place the Mounting Plate(A) onto the Hanging Loop(E) through the Canopy(D) and fix it by turing the Canopy Nut(F) clockwise till tight.



### Step 2:

Place the Fixture loop(H) onto the Lamp cover(L). Attach the Closable Link(G1) onto the Fixture Loop(H).



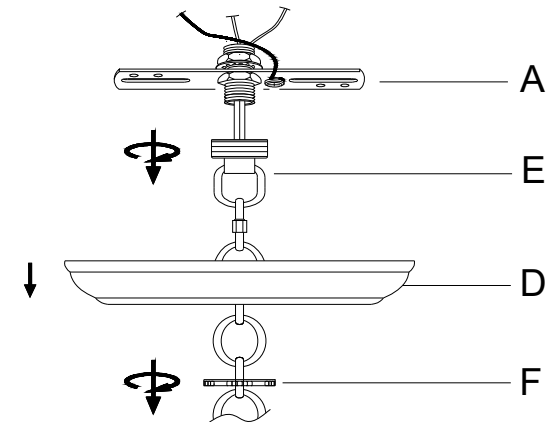
### Step 3:

Make wire connections, with wire nut(B)  
 Connect fixture neutral wire (ribbed) to the outlet box neutral wire (usually white) using a wire nut. Connect fixture hot wire (smooth with markings) to the outlet box hot wire (usually black) using a wire nut.

CAUTION: Do not reverse the hot and neutral connections

Grounding Instructions:

Wrap ground wire from outlet box around green ground screw(Q) on mounting bracket, no less than 2" from wire end. Tighten ground screw. If fixture is supplied with a ground wire, connect to outlet ground wire with a wire nut.

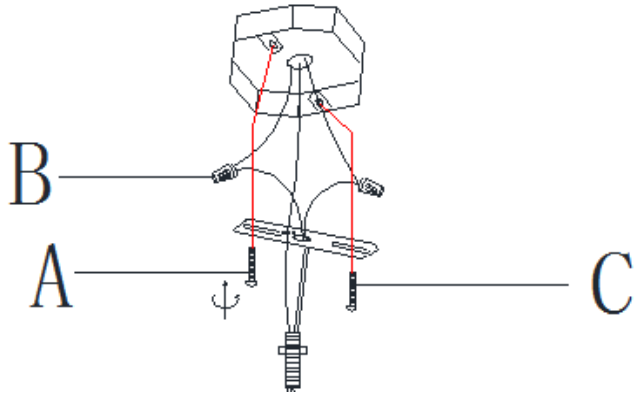


### Step 4:

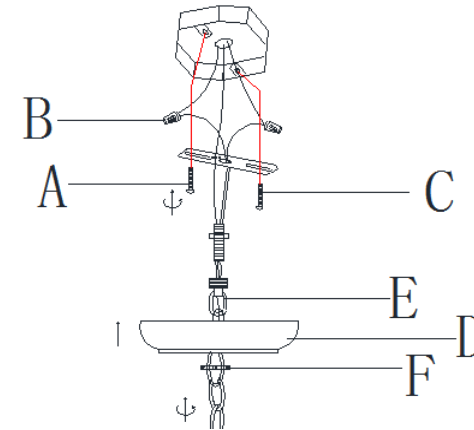
Separate the Mounting Plate(A) from the Canopy(D) by turning the Canopy Nut(F) anti-clockwise.

## PREPARATION

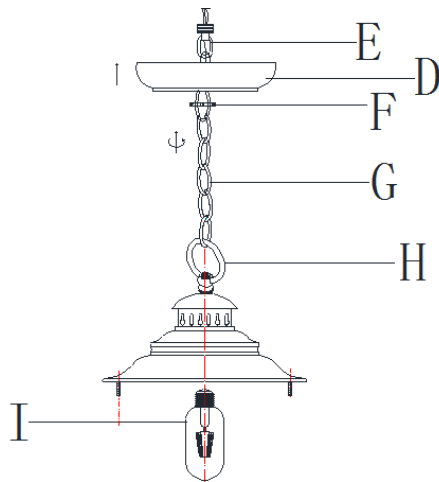
- \* Before beginning assembly of product, make sure all parts are present. Compare parts with package contents list and hardware contents list.
- \* If any part is missing or damaged, do not attempt to assemble the product.
- \* Estimated Assembly Time: 20 minutes.
- \* Tools Required for Assembly (not included): Screwdriver, Junction box
- \* If you are having difficulty, our friendly Customer Care team is always here to help.



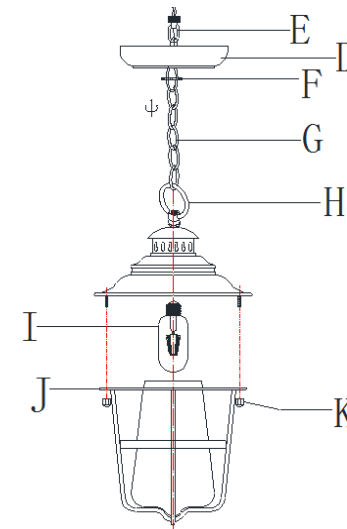
**Step 5:**  
Install the Mounting Plate(A) to the junction box with machine Screw (C)



**Step 6:**  
Attach the Canopy(D) to the junction box and fix it by turning the Canopy Nut(F) clockwise



**Step 7:**  
Insert the bulbs (I) into the Sockets



**Step 8:**  
Put the lamp cover(J) on the lamp body(L) and fasten the Hexagon Nut(K) to fix it.