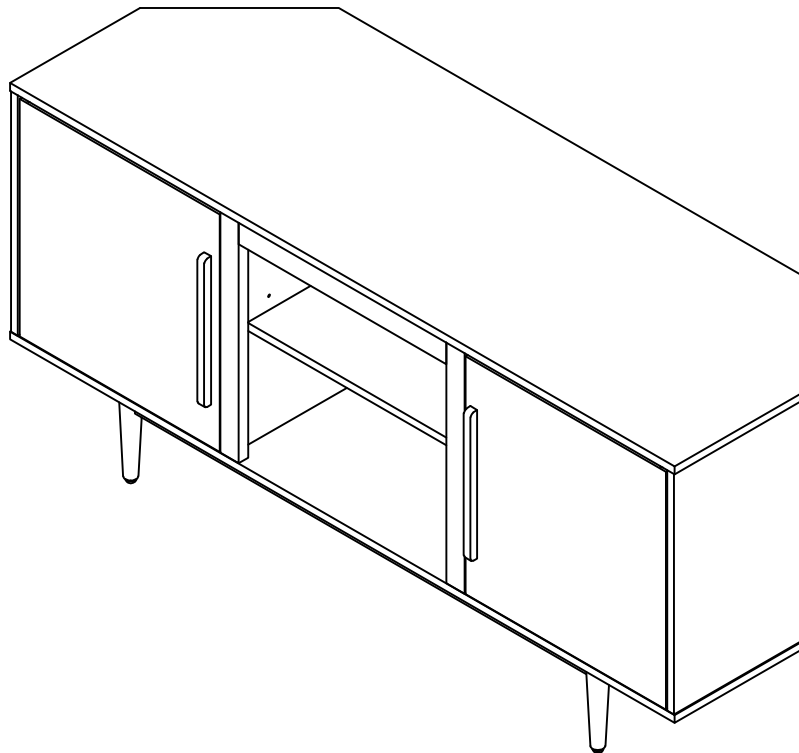
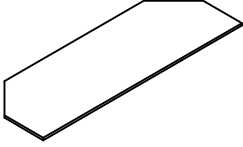


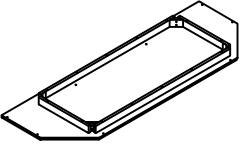
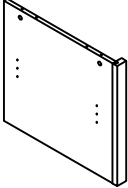
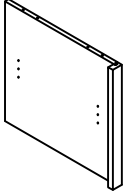
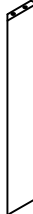

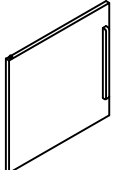
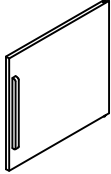
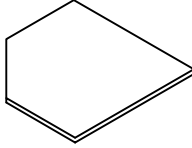
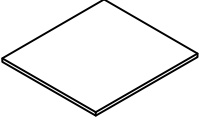

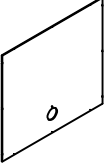
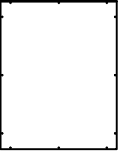
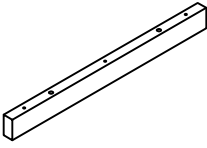





**CROSLEY**  
FURNITURE

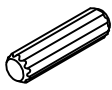
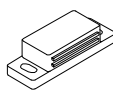
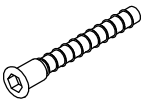
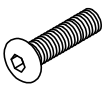






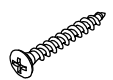


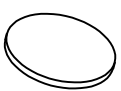


Corner TV Stand For 65" TV  
CF101658



# PARTS LIST

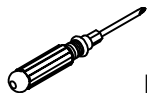
<p><b>A</b></p> 	<p><b>B</b></p> 	<p><b>C</b></p> 	<p><b>D</b></p> 	<p><b>E</b></p> 
<p>Top Panel 1 PC</p>	<p>Left Panel 1 PC</p>	<p>Right Panel 1 PC</p>	<p>Bottom Panel 1 PC</p>	<p>Left Partition Panel 1 PC</p>
<p><b>F</b></p> 	<p><b>G</b></p> 	<p><b>H</b></p> 	<p><b>I</b></p> 	<p><b>J</b></p> 
<p>Right Partition Panel 1 PC</p>	<p>Left Vertical Panel 1 PC</p>	<p>Right Vertical Panel 1 PC</p>	<p>Left Door 1 PC</p>	<p>Right Door 1 PC</p>
<p><b>K</b></p> 	<p><b>L</b></p> 	<p><b>M</b></p> 	<p><b>N</b></p> 	<p><b>O</b></p> 
<p>Side Adjustable Shelf 2 PCS</p>	<p>Middle Adjustable Shelf 1 PC</p>	<p>Side Middle Back Panel 2 PCS</p>	<p>Middle Back Panel 1 PC</p>	<p>Side Back Panel 2 PCS</p>
<p><b>P</b></p> 	<p><b>Q</b></p> 	<p><b>R</b></p> 	<p><b>S</b></p> 	
<p>Rail 1 PC</p>	<p>Leg 4 PCS</p>	<p>Support Leg 1 PC</p>	<p>Cover 3 PCS</p>	

## HARDWARE LIST

#1  8*30mm Wood Dowel 22 PCS (Extra 1)	#2  Magnet 2 PCS	#3  7*38mm Tapping Bolt 10 PCS (Extra 1)	#4  1/4"*45mm Bolt 8 PCS (Extra 1)	#5  1/4"*11mm Spring Washer 8 PCS (Extra 1)
#6  1/4"*13mm Flat Washer 8 PCS (Extra 1)	#7  Cam Bolt 10 PCS (Extra 1)	#8  Cam Lock 10 PCS (Extra 1)	#9  Shelf Holder 14 PCS (Extra 1)	#10  Binding Post 3 SETS (Extra 1)
#11  8*4*31mm Long Screw 3 PCS (Extra 1)	#12  6*3*15mm Short Screw 4 PCS (Extra 1)	#13  8*3*12mm Round Head Screw 50 PCS (Extra 1)	#14  Cam Sticker 10 PCS (Extra 1)	#15  M2 Small Allen Wrench 1 PC
#16  M4 Allen Wrench 1 PC				

## ADDITIONAL TOOLS (Not Provided)

Note: It is not recommended to use power tools during assembly.

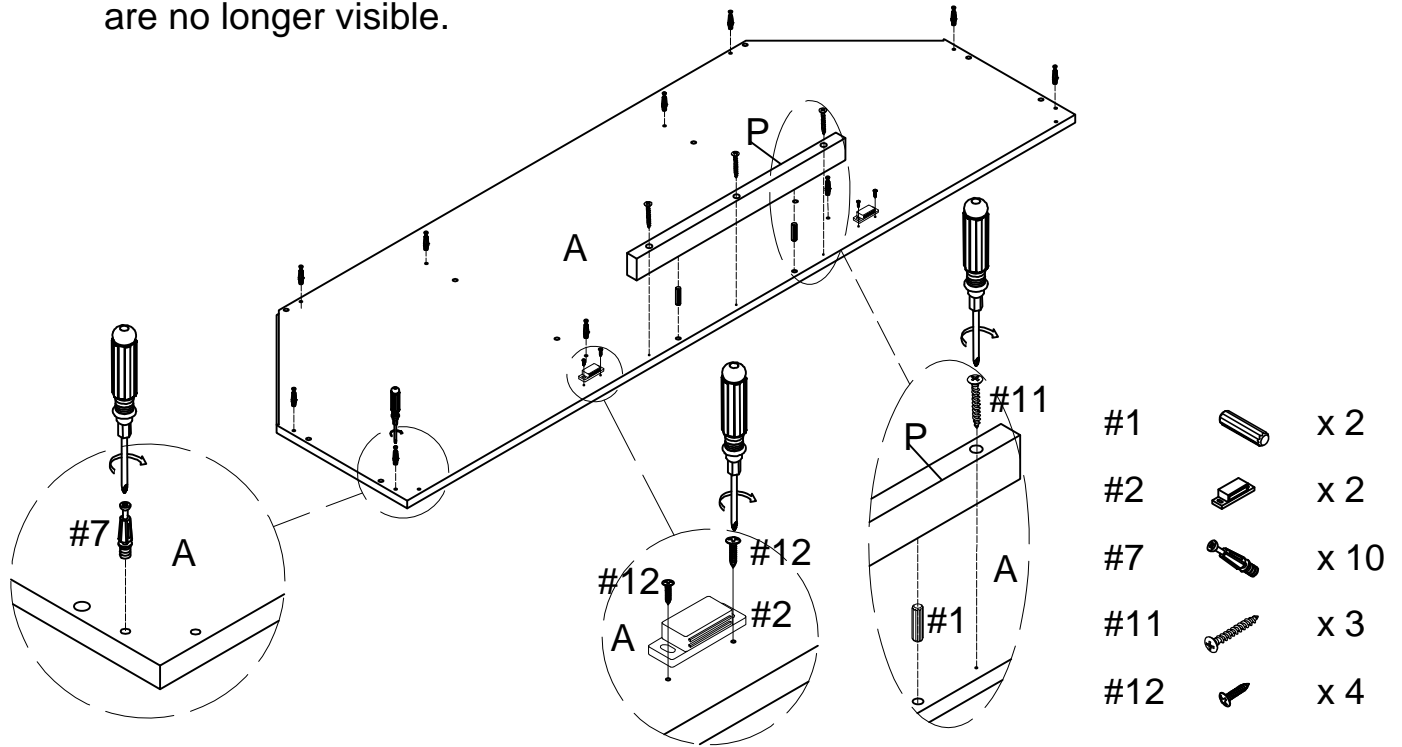


Phillips Head Screwdriver

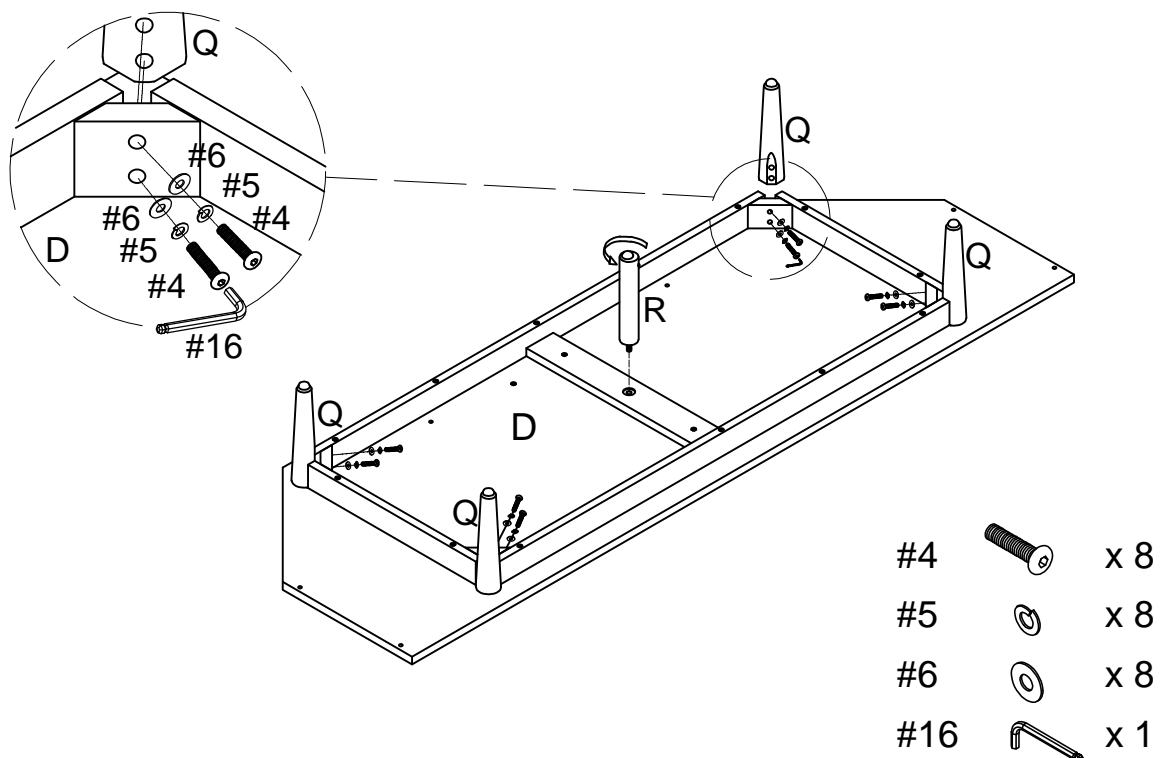
Note: Wood dowels are intended for alignment. Additional clearance between wood dowel and pre-drilled hole is intentional for ease of assembly.

Step 1. Insert cam bolts (part #7) into pre-drilled holes of top panel (part A) using phillips head screwdriver. Attach rail (part P) to top panel (part A) using wood dowels (part #1), long screws (part #11) and phillips head screwdriver. Attach magnets (part #2) to top panel (part A) using short screws (part #12) and phillips head screwdriver.

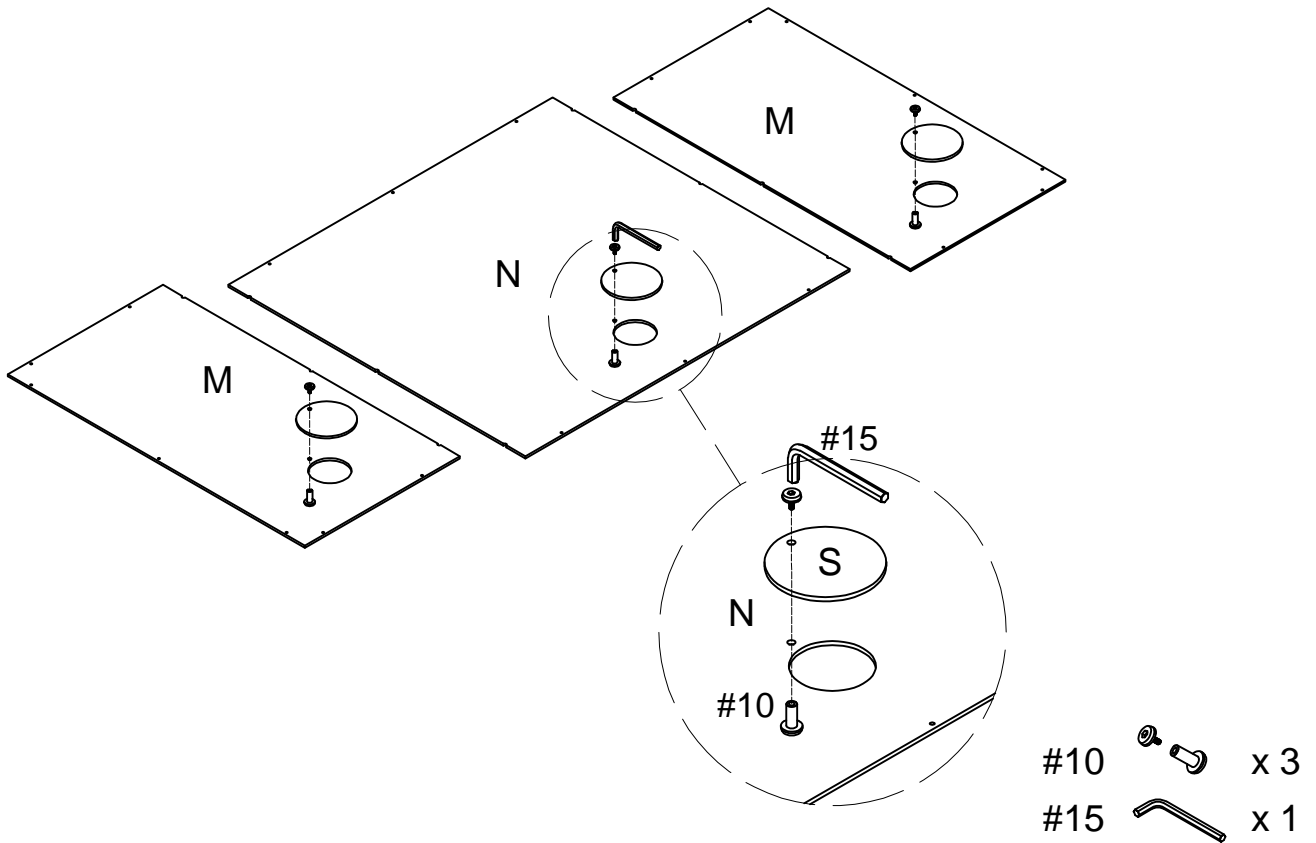
Note: Do not over tighten cam bolts. Stop tightening once threads on cam bolt are no longer visible.



Step 2. Attach legs (part Q) and support leg (part R) to bottom panel (part D) using bolts (part #4), spring washers (part #5), flat washers (part #6) and allen wrench (part #16).

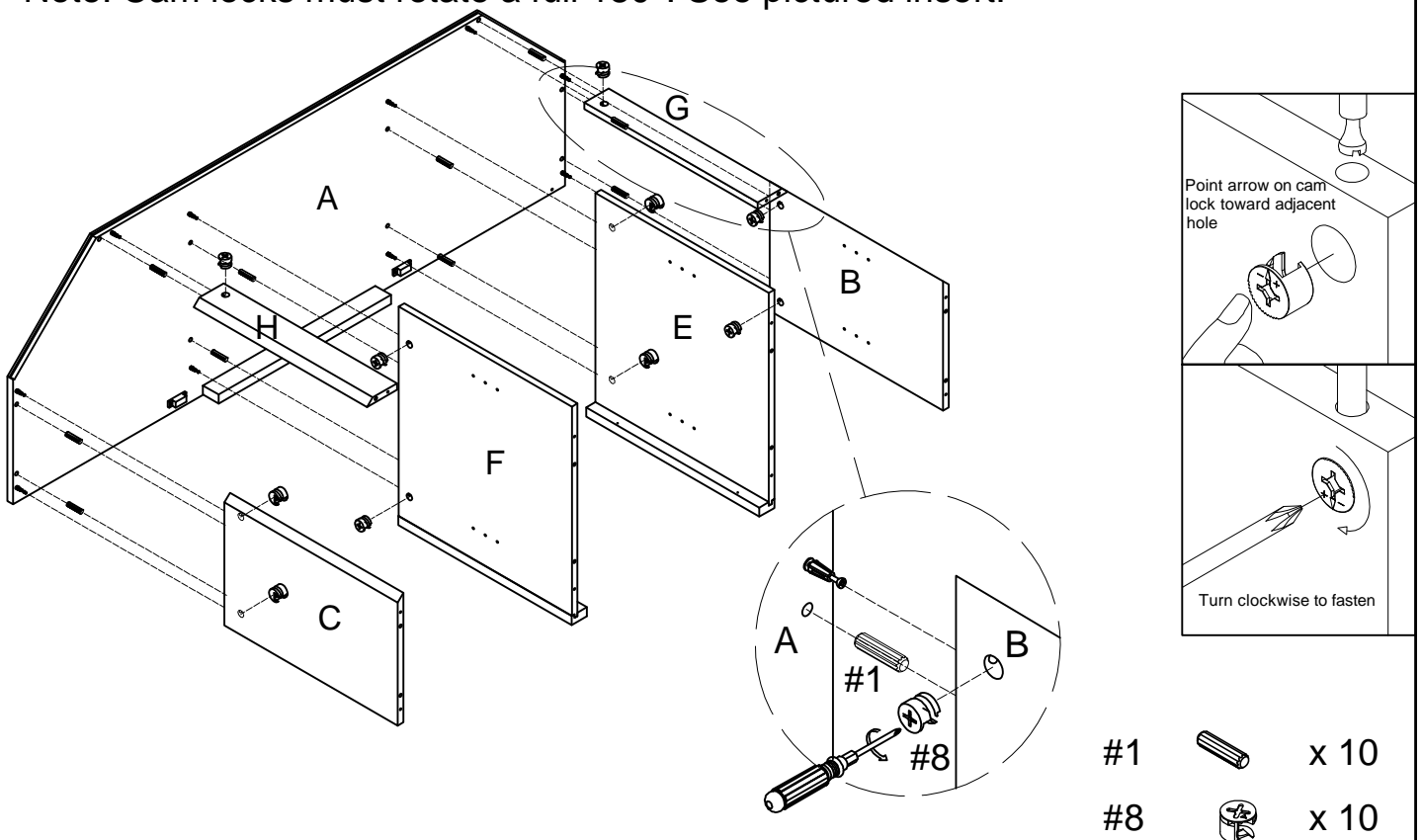


Step 3. Attach covers (part S) to back panels (part M & N) using binding posts (part #10) and small allen wrench (part #15).

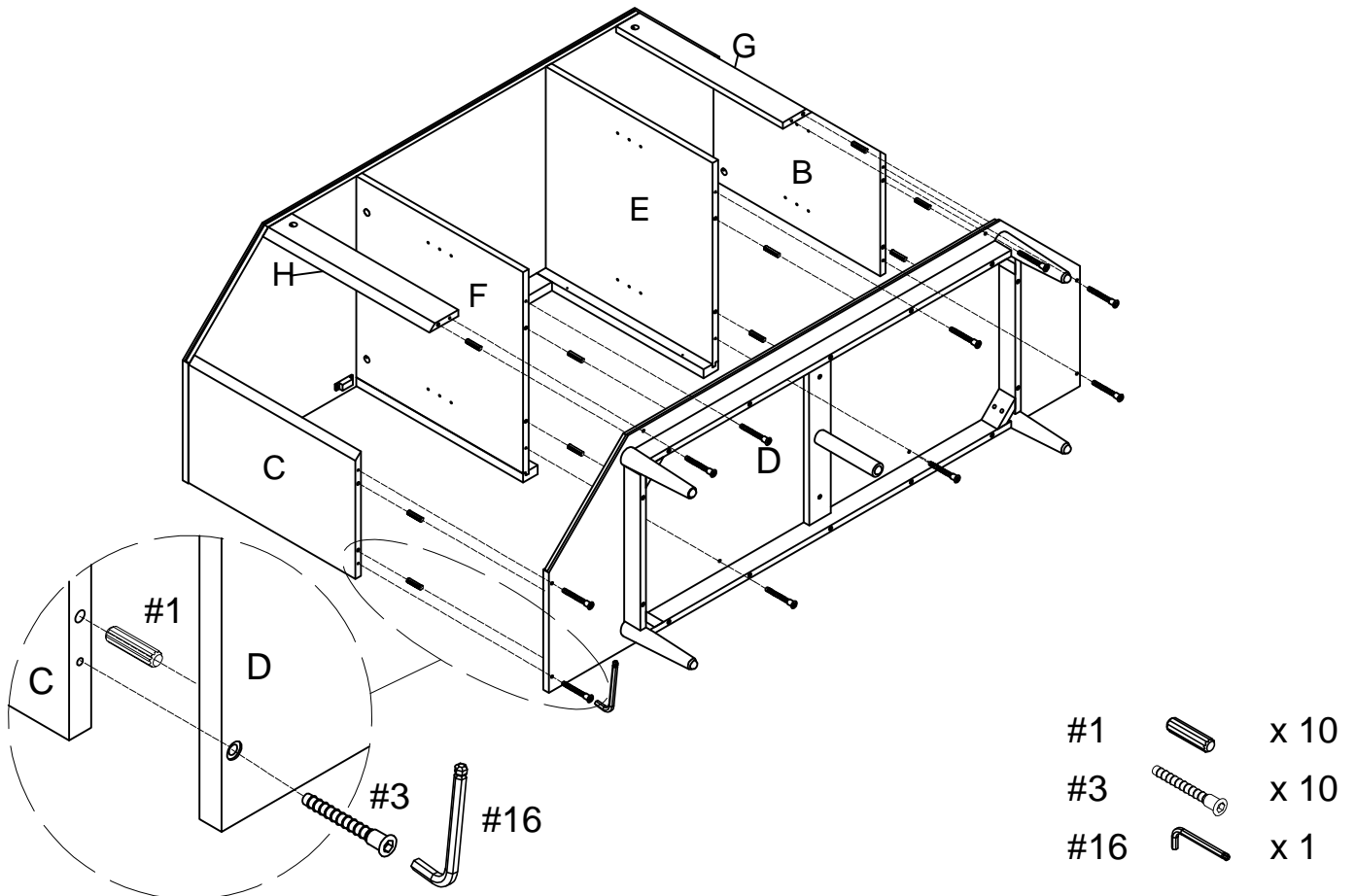


Step 4. Attach panels (parts B, C, E, F, G & H) to top panel (part A) using wood dowels (part #1), cam locks (part #8) and phillips head screwdriver.

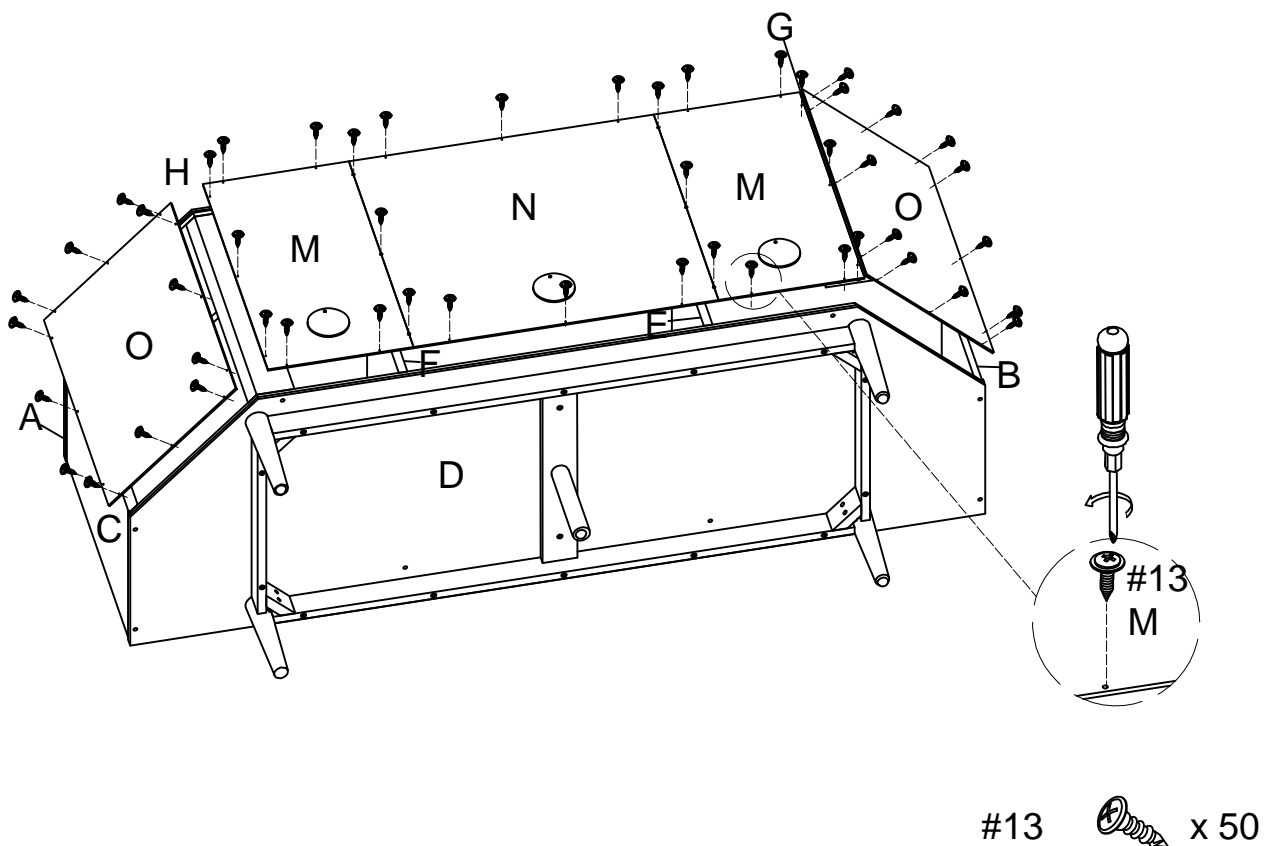
Note: Cam locks must rotate a full 180°. See pictured insert.



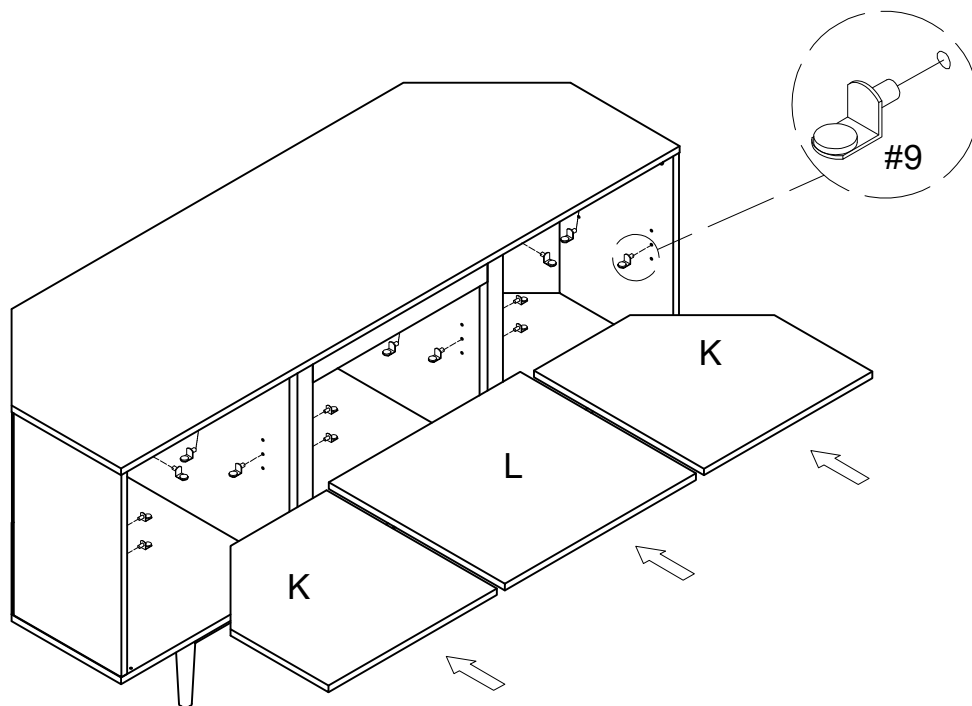
Step 5. Attach bottom panel (part D) to assembled unit (parts B, C, E, F, G & H) using wood dowels (part #1), tapping bolts (part #3) and allen wrench (part #16).



Step 6. Attach back panels (parts M, N & O) to assembled unit (parts A, B, C, D, E, F, G & H) using round head screws (part #13) and phillips head screwdriver.



Step 7. Carefully turn unit upright. Place shelf holders (part #9) into desired position and then slide adjustable shelves (parts K & L) into place.

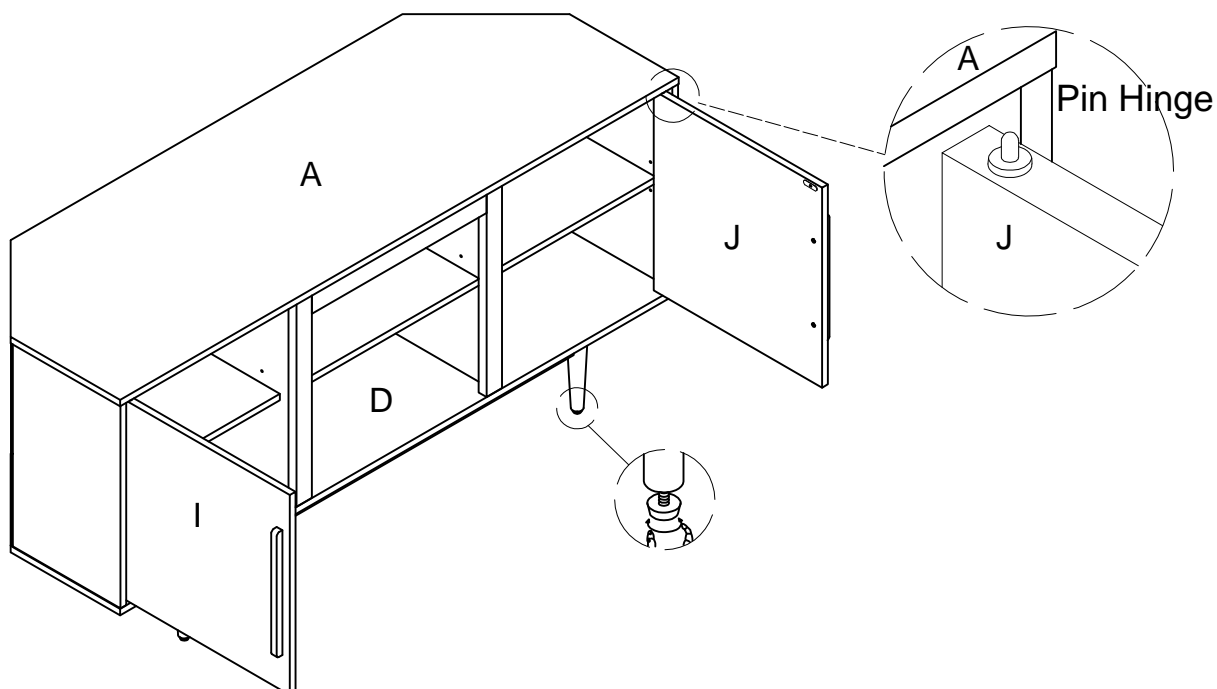


#9  x 14

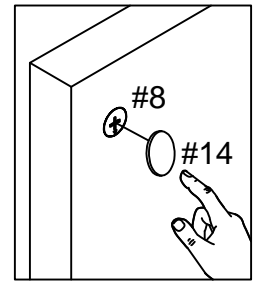
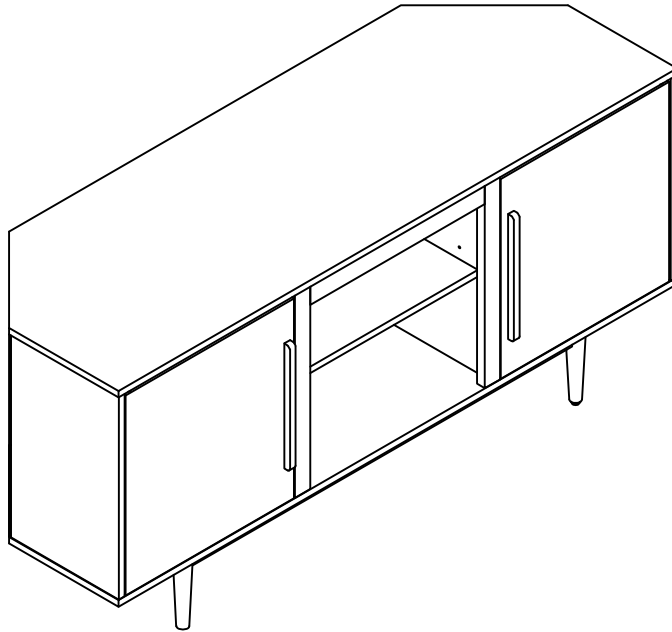
Step 8. Attach doors (parts I & J) by placing pin hinge (pre-installed in door) in the pre-drilled hole of bottom panel (part D). Then depress the top spring-loaded pin hinge so it can be placed in the pre-drilled hole of top panel (part A). If you would like to add an electric fireplace (\*Not Included), please follow step 10.

NOTE: Be sure top and bottom pin hinges are fully extended to secure doors in place.

NOTE: It is important to adjust levelers once fully assembled and upright. Extend adjustable leveler until it's firmly in contact with the floor. If relocating, adjust leveler as needed until it's firmly in contact with the floor in new location.



Step 9. Using cam stickers (part #14) cover all cam locks (part #8).



#14  x 10

Step 10. Fireplace Assembly: Remove middle adjustable shelf (part L) and middle pack panel (part N). Install electric fireplace (\*Not Included) into the unit following the assembly instructions of the electric fireplace.

