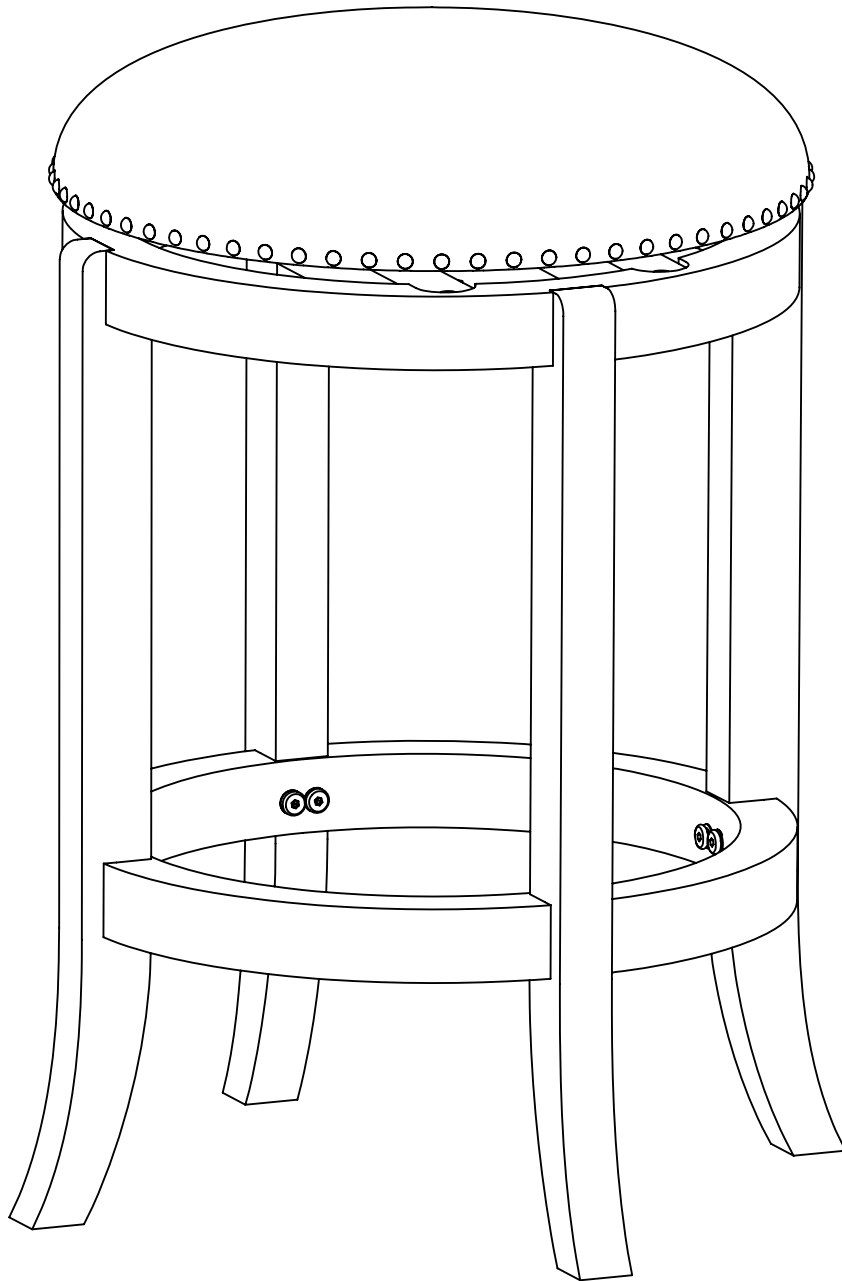


CORDOVA SWIVEL STOOL

ASSEMBLY INSTRUCTIONS





PLEASE READ ME FIRST



- Have questions about assembling your item?



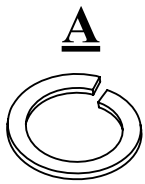
- Item or parts damaged?



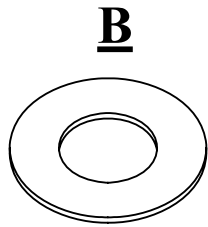
- Missing a part?



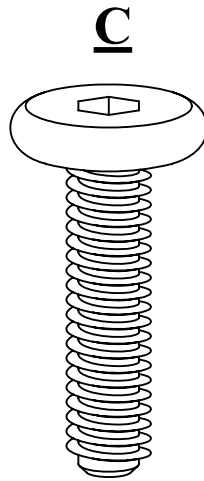
- We're here to help!



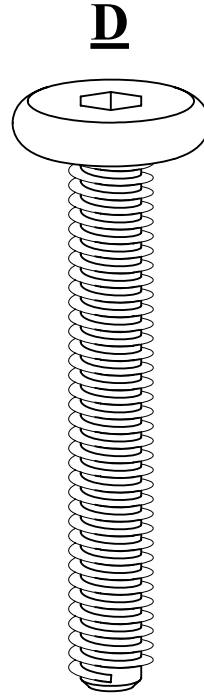
16 PCS



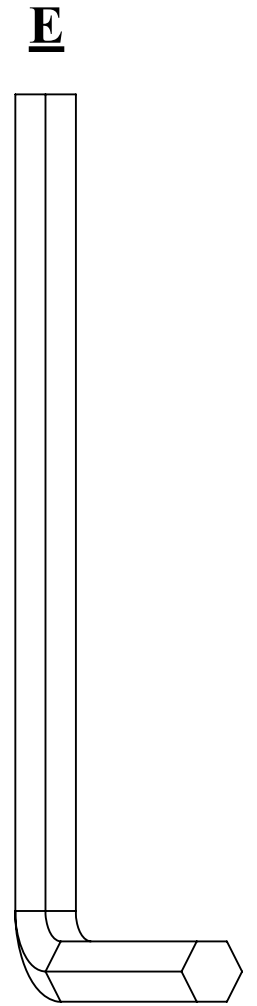
20 PCS



4 PCS

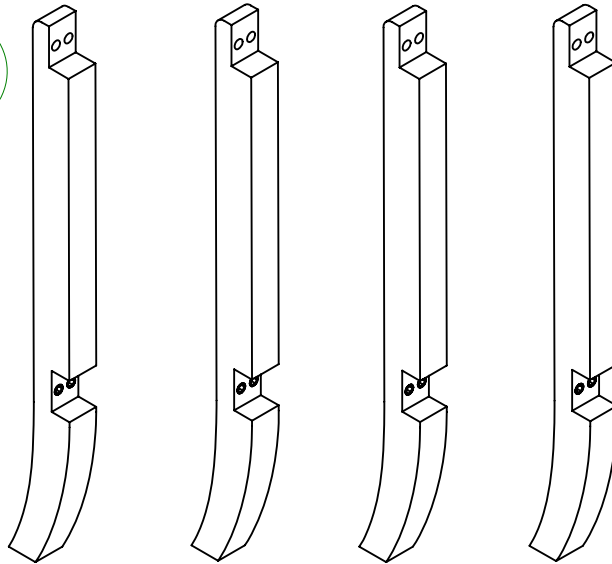


16 PCS

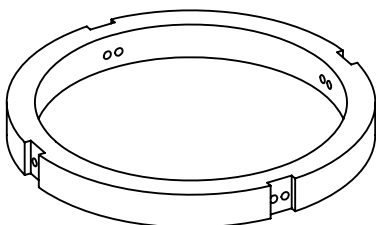


1 PC

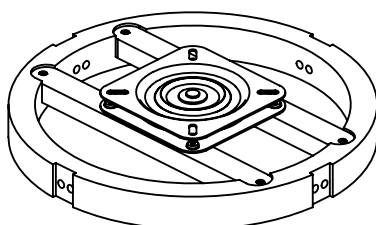
1



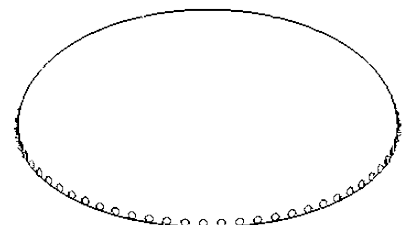
2



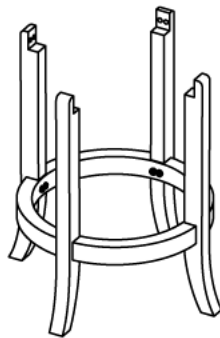
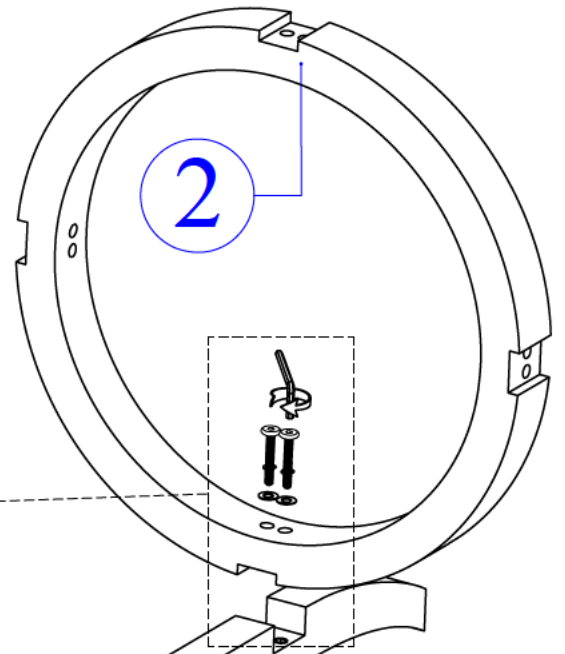
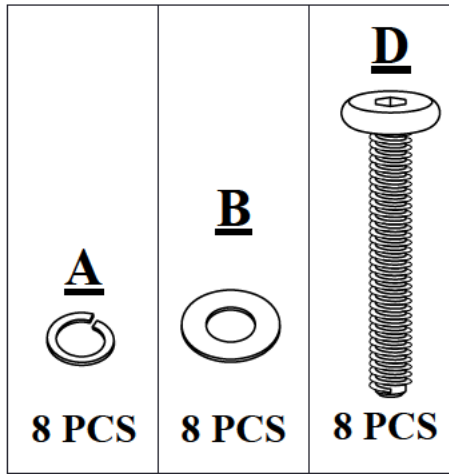
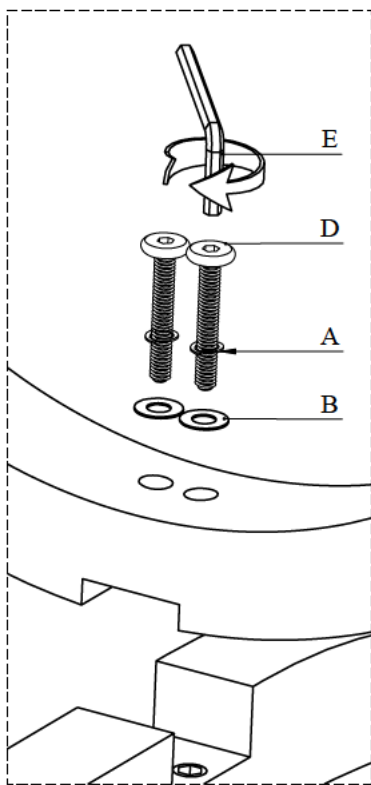
3



4

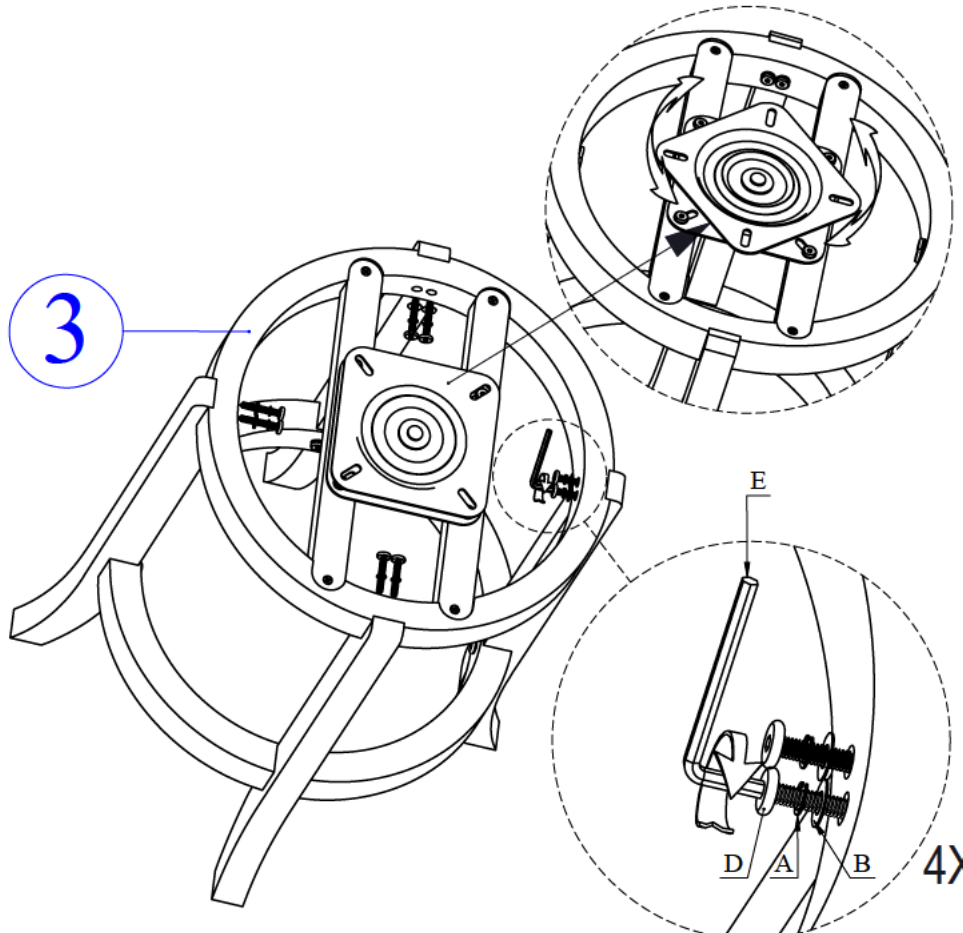
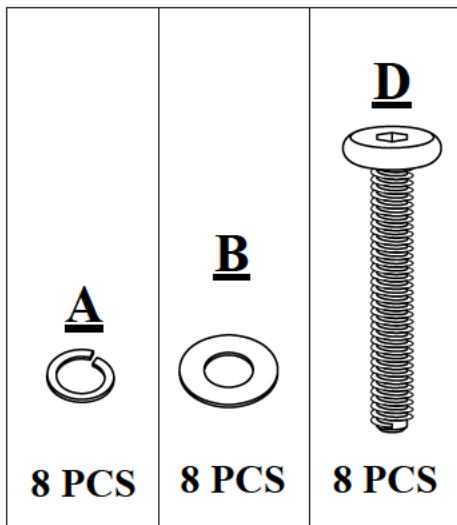


01



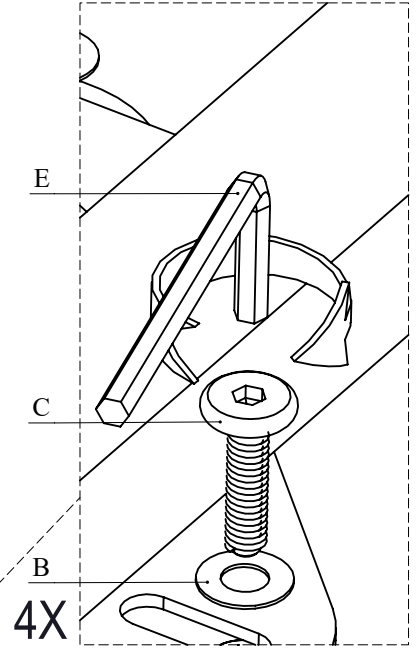
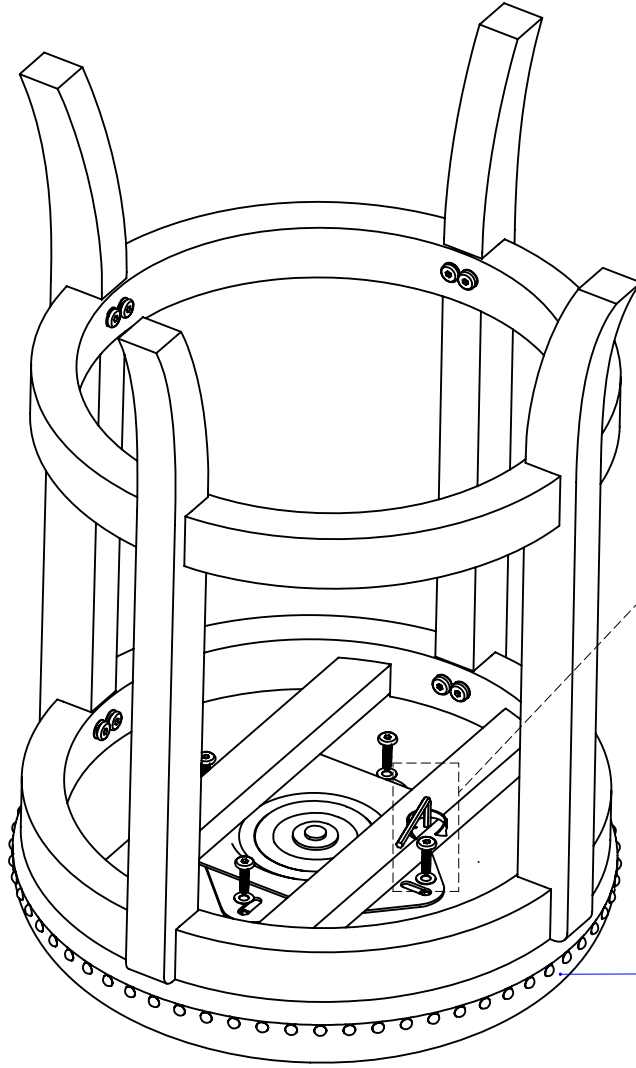
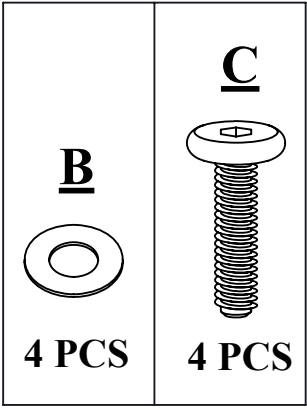
DO NOT TIGHTEN BOLT COMPLETELY.

02



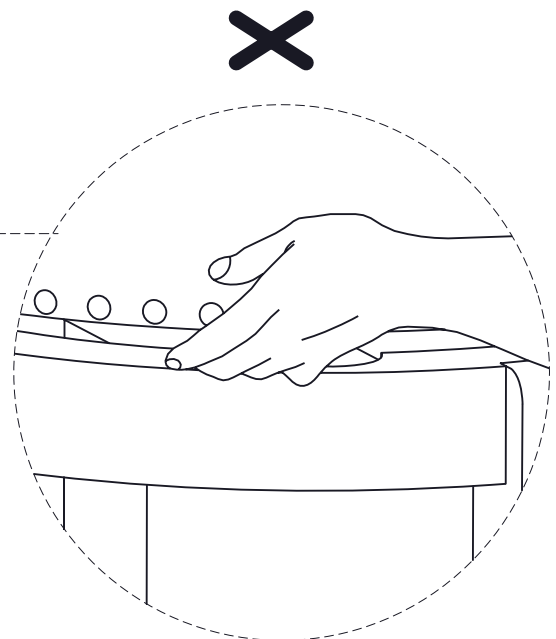
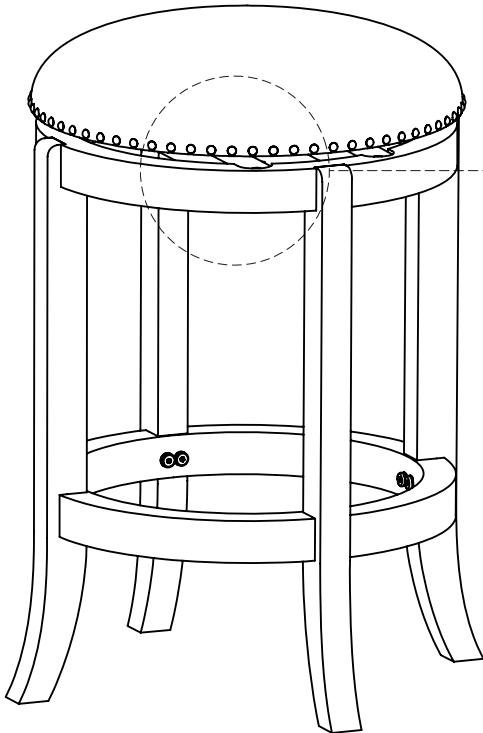
TIGHTEN BOLT COMPLETELY.

03



4

TIGHTEN BOLT COMPLETELY.



BE SURE TO CHECK ALL BOLTS ARE SECURELY TIGHTENED PRIOR USING THIS STOOL.