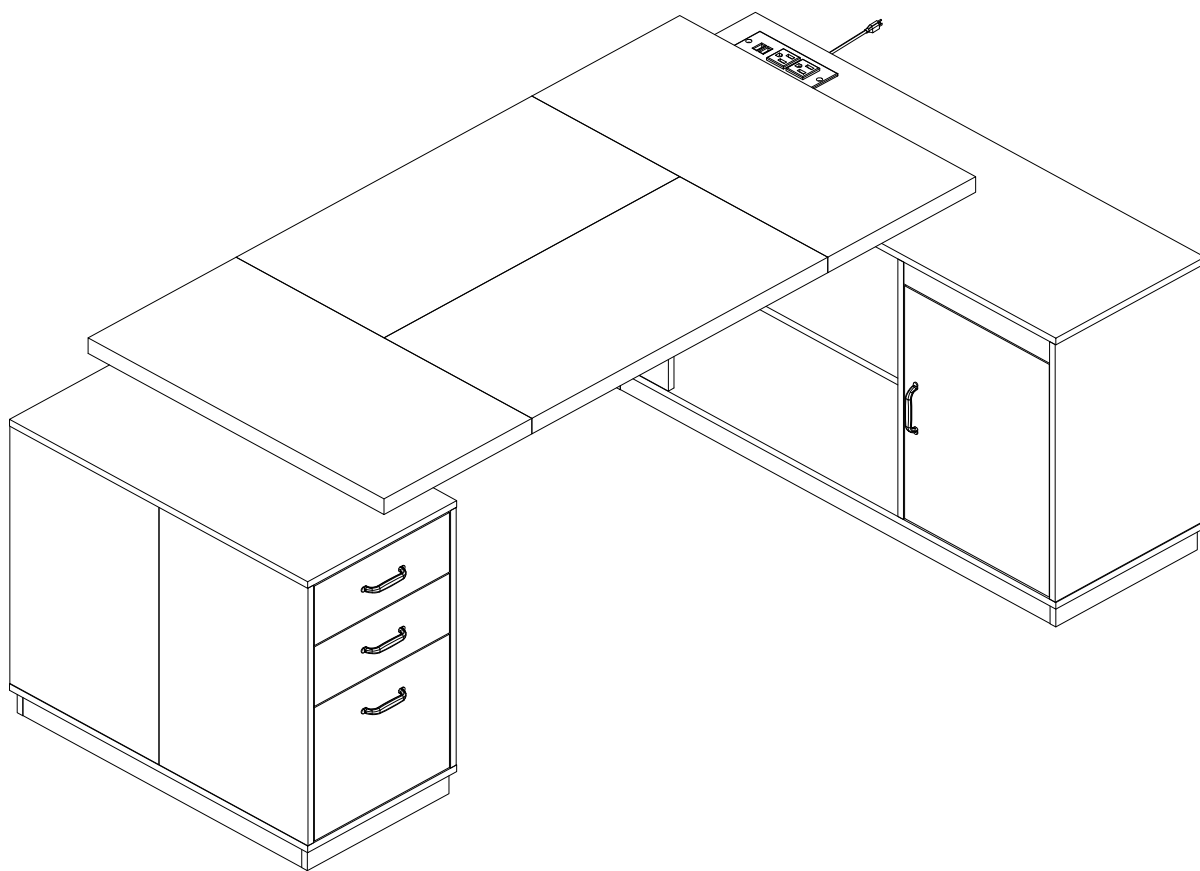
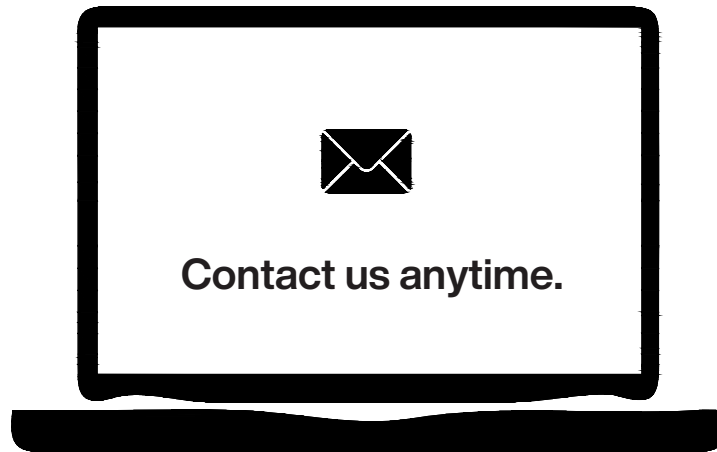


Assembly Instructions



Contact Us

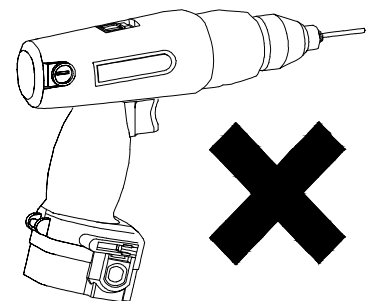
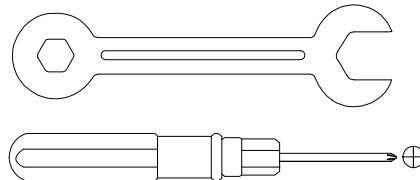
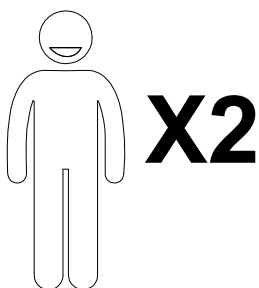
We're here to help you.



Your satisfaction is our top priority. If you encounter any issues with this product, such as missing or damaged parts, we're here to help. Please retain the original packaging and take photos of the packaging and the product, then contact us as soon as possible.

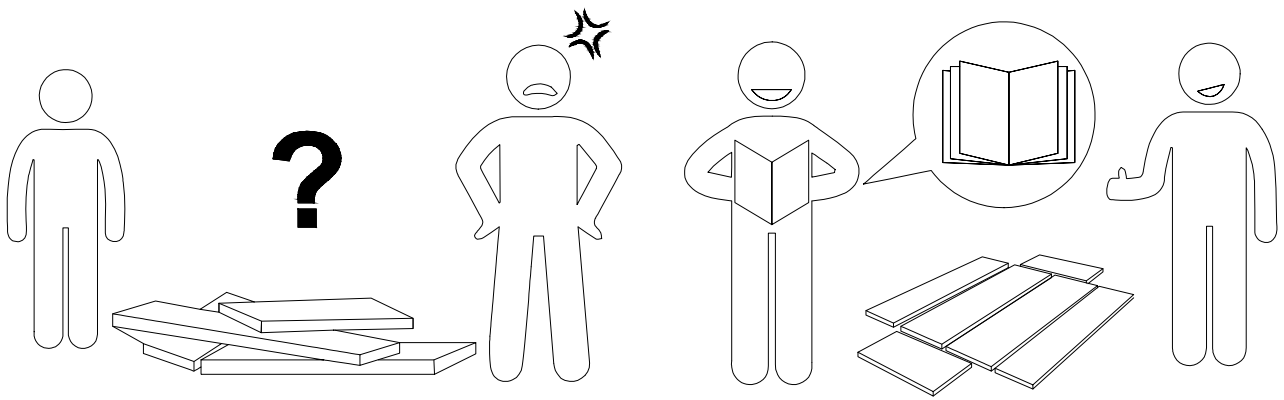
Warm Tips

1. Carefully read these instructions and keep them for future reference.
2. Check the parts list and confirm everything's there before starting assembly.
3. When assembling, put all parts on a soft, smooth surface like a carpet to avoid scratches.
4. Don't fully tighten screws until all parts are confirmed in place to avoid misalignment.



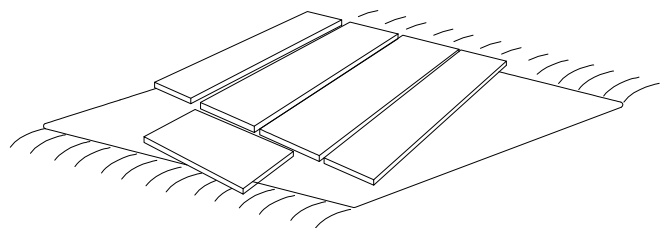
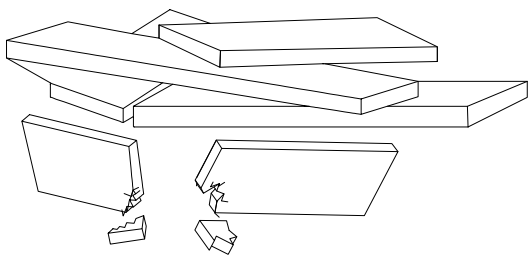
We recommend using hand tools for assembly.

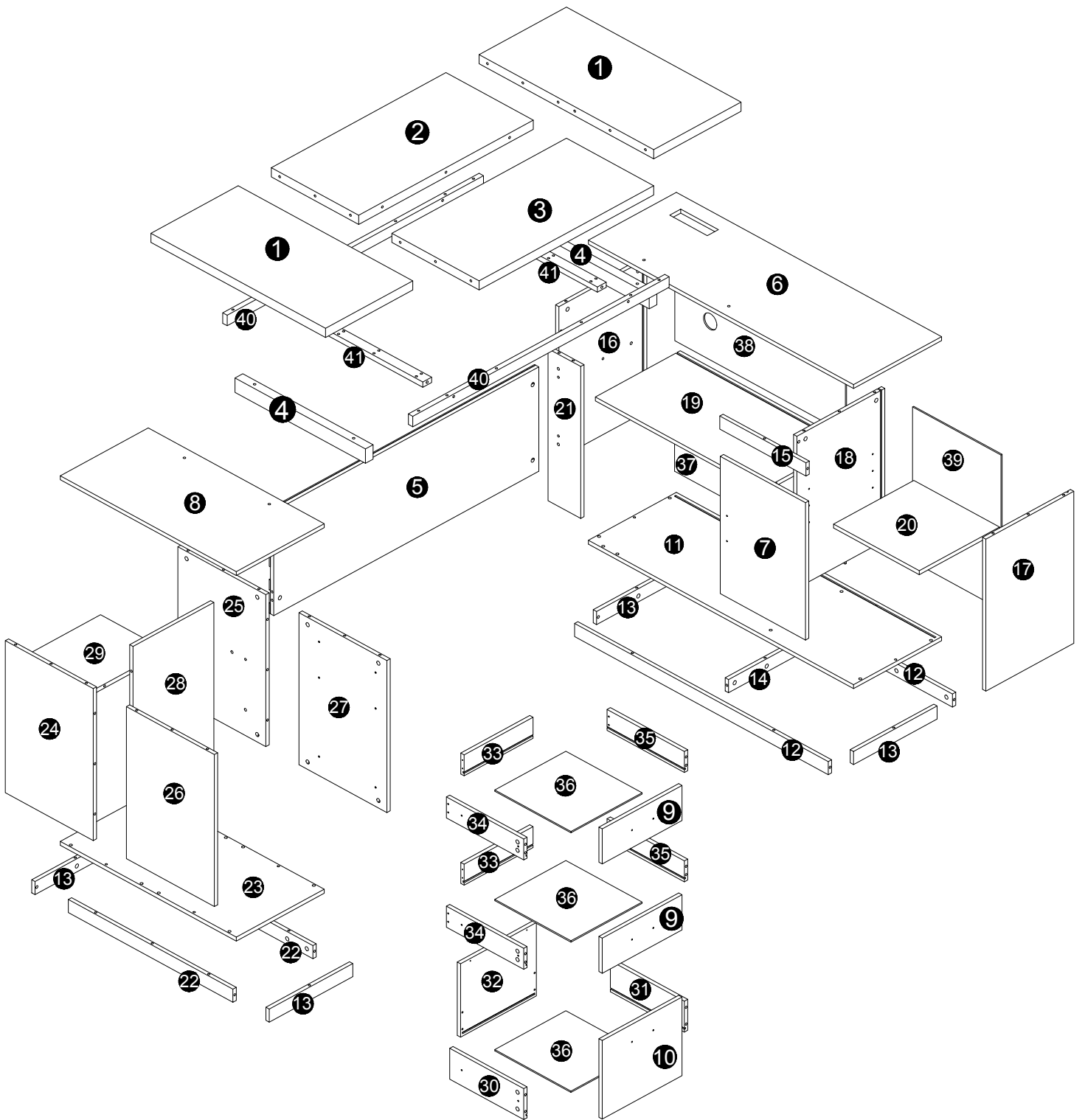
If an electric screwdriver is used, reduce power and torque to avoid damage to the product.



AVOID SCRATCHES

In order to avoid scratching, this furniture should be assembled on a soft surface, such as a rug.

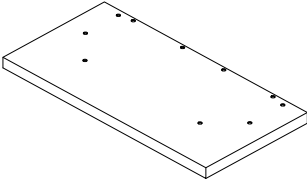
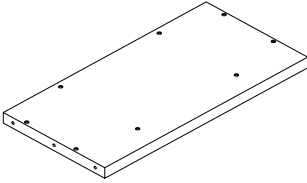
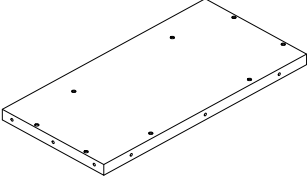
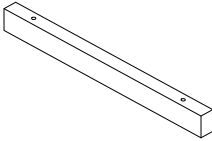
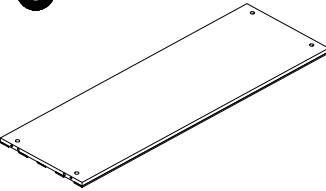
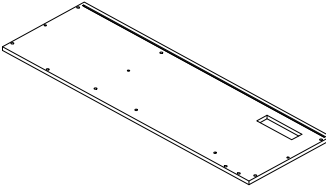
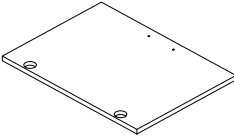
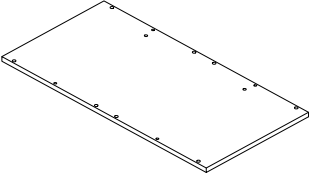
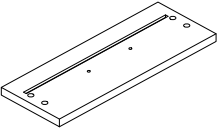
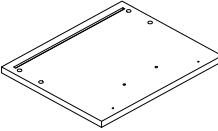
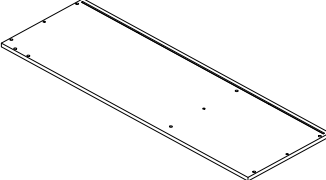
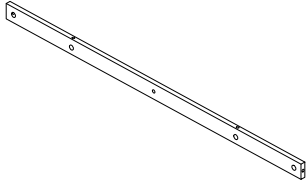
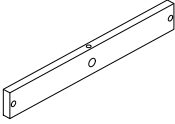
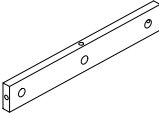
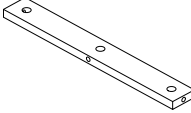
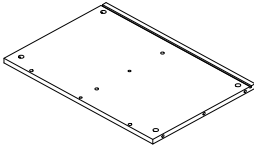
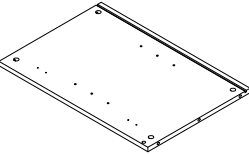
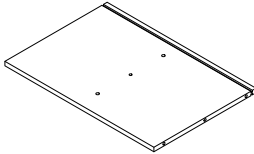
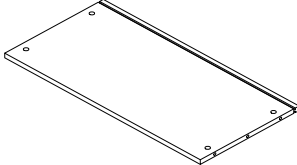
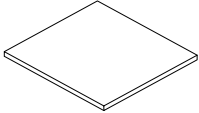
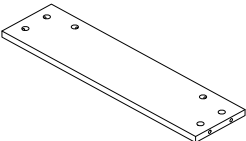
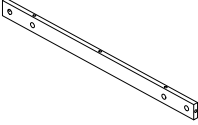
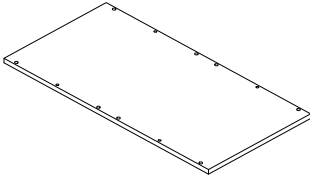
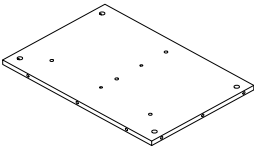




⚠ Caution

Make sure all parts are included. Most board parts are labeled or stamped on the raw edge. Contact us for a free replacement if you encounter any damaged or missing parts.

Parts List

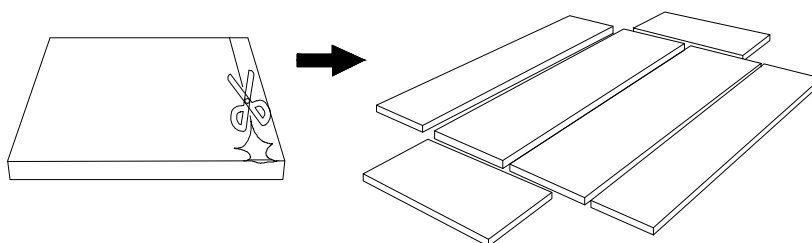
<p>1</p>  <p>2 pcs</p>	<p>2</p>  <p>1 pc</p>	<p>3</p>  <p>1 pc</p>	<p>4</p>  <p>2 pcs</p>
<p>5</p>  <p>1 pc</p>	<p>6</p>  <p>1 pc</p>	<p>7</p>  <p>1 pc</p>	<p>8</p>  <p>1 pc</p>
<p>9</p>  <p>2 pcs</p>	<p>10</p>  <p>1 pc</p>	<p>11</p>  <p>1 pc</p>	<p>12</p>  <p>2 pcs</p>
<p>13</p>  <p>4 pcs</p>	<p>14</p>  <p>1 pc</p>	<p>15</p>  <p>1 pc</p>	<p>16</p>  <p>1 pc</p>
<p>17</p>  <p>1 pc</p>	<p>18</p>  <p>1 pc</p>	<p>19</p>  <p>1 pc</p>	<p>20</p>  <p>1 pc</p>
<p>21</p>  <p>1 pc</p>	<p>22</p>  <p>2 pcs</p>	<p>23</p>  <p>1 pc</p>	<p>24</p>  <p>1 pc</p>

Parts List

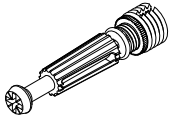
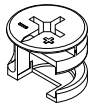
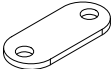
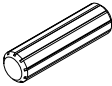
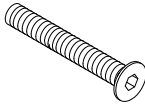
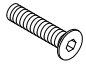
25 1 pc	26 1 pc	27 1 pc	28 1 pc	
29 1 pc	30 1 pc	31 1 pc	32 1 pc	
33 2 pcs	34 2 pcs	35 2 pcs	36 3 pcs	
37 1 pc	38 1 pc	39 1 pc	40 2 pcs	41 2 pcs

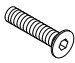
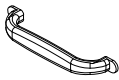
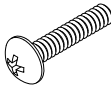
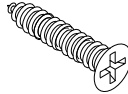
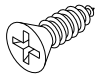

Before installation, please check if you have received the A and B packages, and check if the parts are complete.

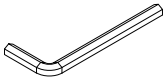



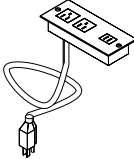

1	2 pcs	2	1 pc	3	1 pc	4	2 pcs	5	1 pc	6	1 pc
8	1 pc	9	2 pcs	10	1 pc	7	1 pc	11	1 pc	12	2 pcs
23	1 pc	24	1 pc	25	1 pc	13	4 pcs	14	1 pc	15	1 pc
26	1 pc	27	1 pc	28	1 pc	16	1 pc	17	1 pc	18	1 pc
29	1 pc	30	1 pc	31	1 pc	19	1 pc	20	1 pc	21	1 pc
32	1 pc	33	2 pcs	34	2 pcs	22	2 pcs	40	2 pcs	41	2 pcs
35	2 pcs	36	3 pcs	37	1 pc						
38	1 pc	39	1 pc								

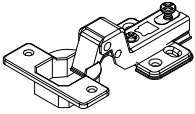
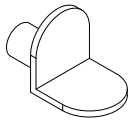
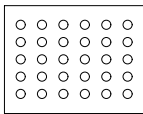


Hardware List

A	B	C	D	E	F
					
M6x40mm	Ø15x12mm	L56xW24xH2mm	Ø8x30mm	Ø6x55mm	Ø6x35mm
90+1 pcs	90+1 pcs	2 pcs	48+1 pcs	16 pcs	24 pcs

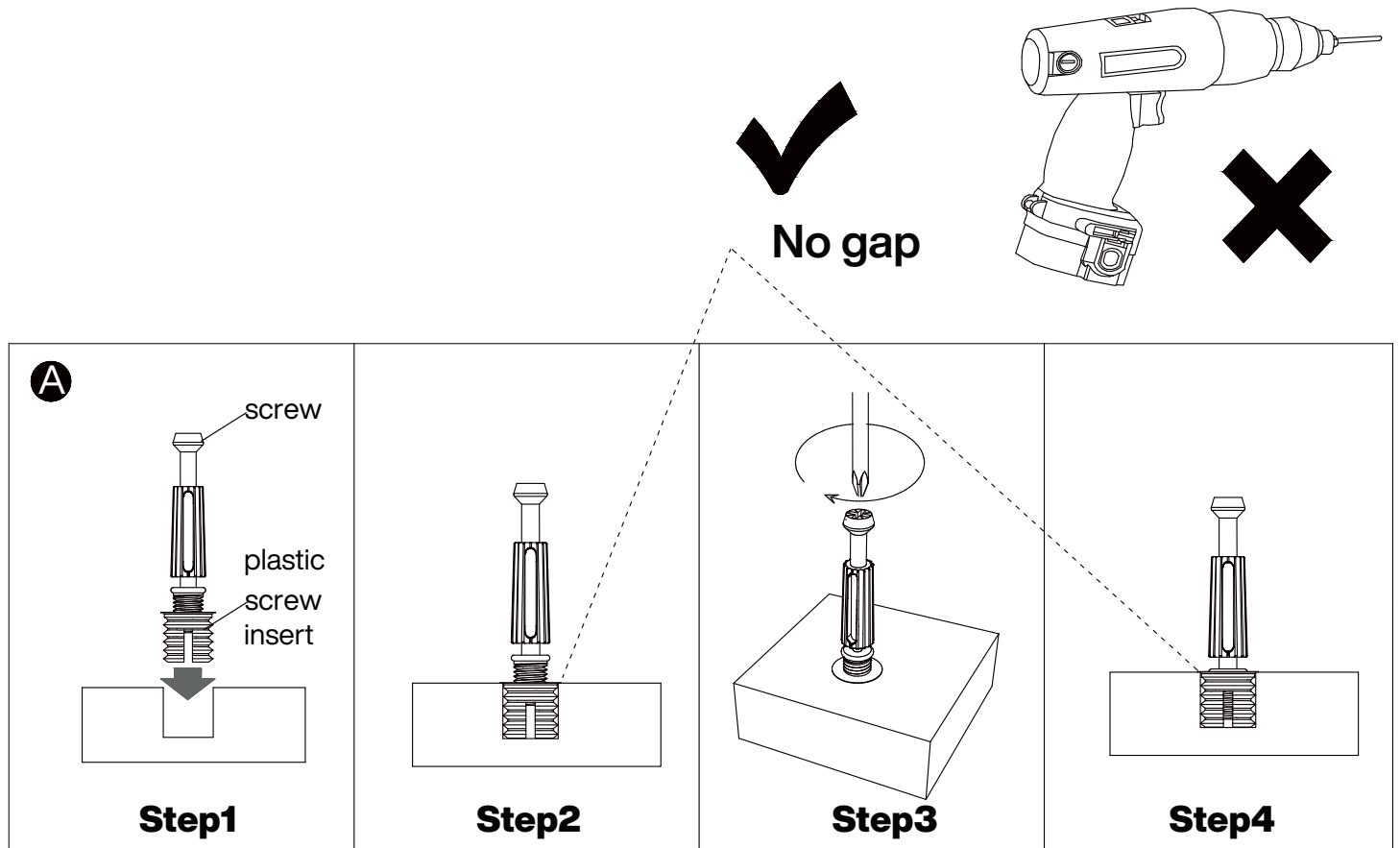
G	H	I	J	K	L
					
Ø6x16mm	20x20x130mm	Ø4x20mm	Ø3.5x35mm	Ø3.5x14mm	Ø15x2mm
4 pcs	4 pcs	8 pcs	12 pcs	42+12 pcs	12 pcs

M	N	O	P	Q	R
					
M3	L350mm	365x35x16mm	318x25x22mm		
1 pc	3 sets	2 pcs	2 pcs	1 pc	1 pc

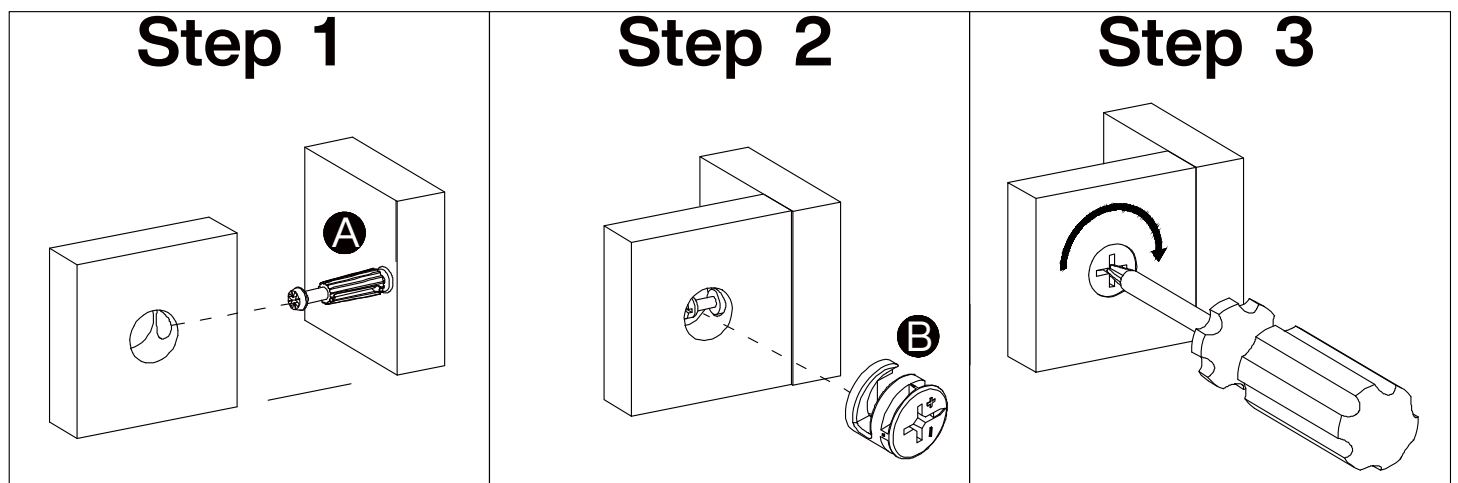
S	T	U			
					
		Ø20mm			
2 pcs	4 pcs	100 pcs			

Installation of Cams and Pins

Step 1-2: Align the plastic part with the mounting hole and press it in. If you can't press it in, loosen the screw counter clockwise or completely remove the screw from the plastic part and try again.
Step 3-4: After pressing the plastic part into place, use a screwdriver to tighten the screw clockwise.



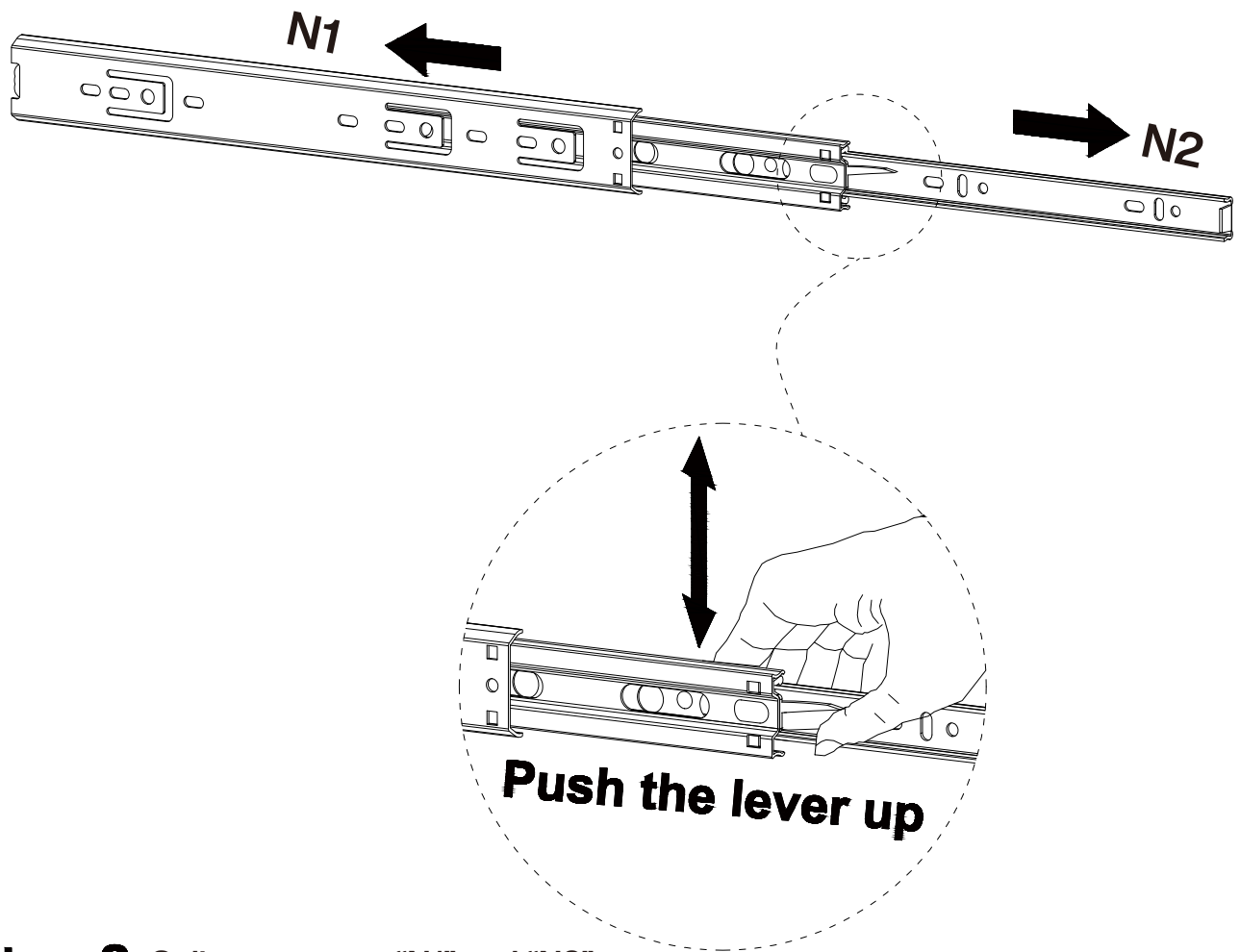
Screw the pin into the hole. Set the cams correctly by aligning the head of the cams with the lock pins. Lock the cam by turning the cam head with a screwdriver until it is tightened. Please do not use an electric screwdriver to assemble the unit.



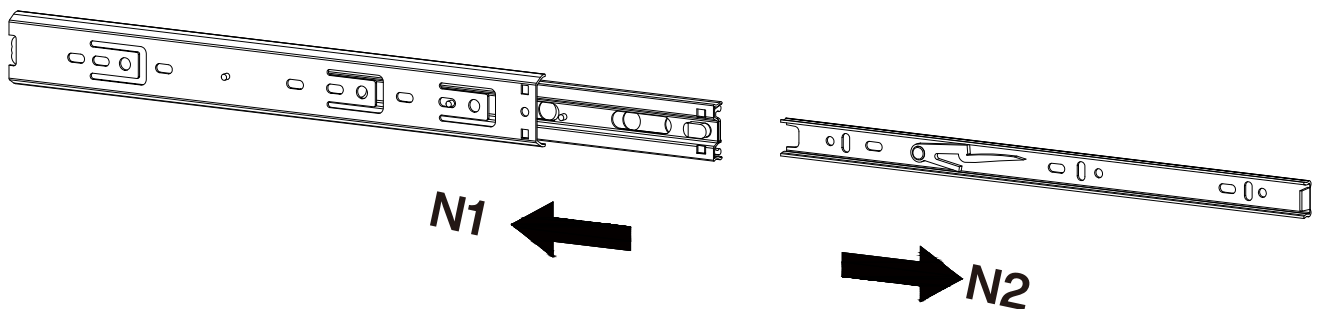
Please split component "N" into "N1" and "N2" before assembling the slide and then proceed to the next step of assembly

Step 1

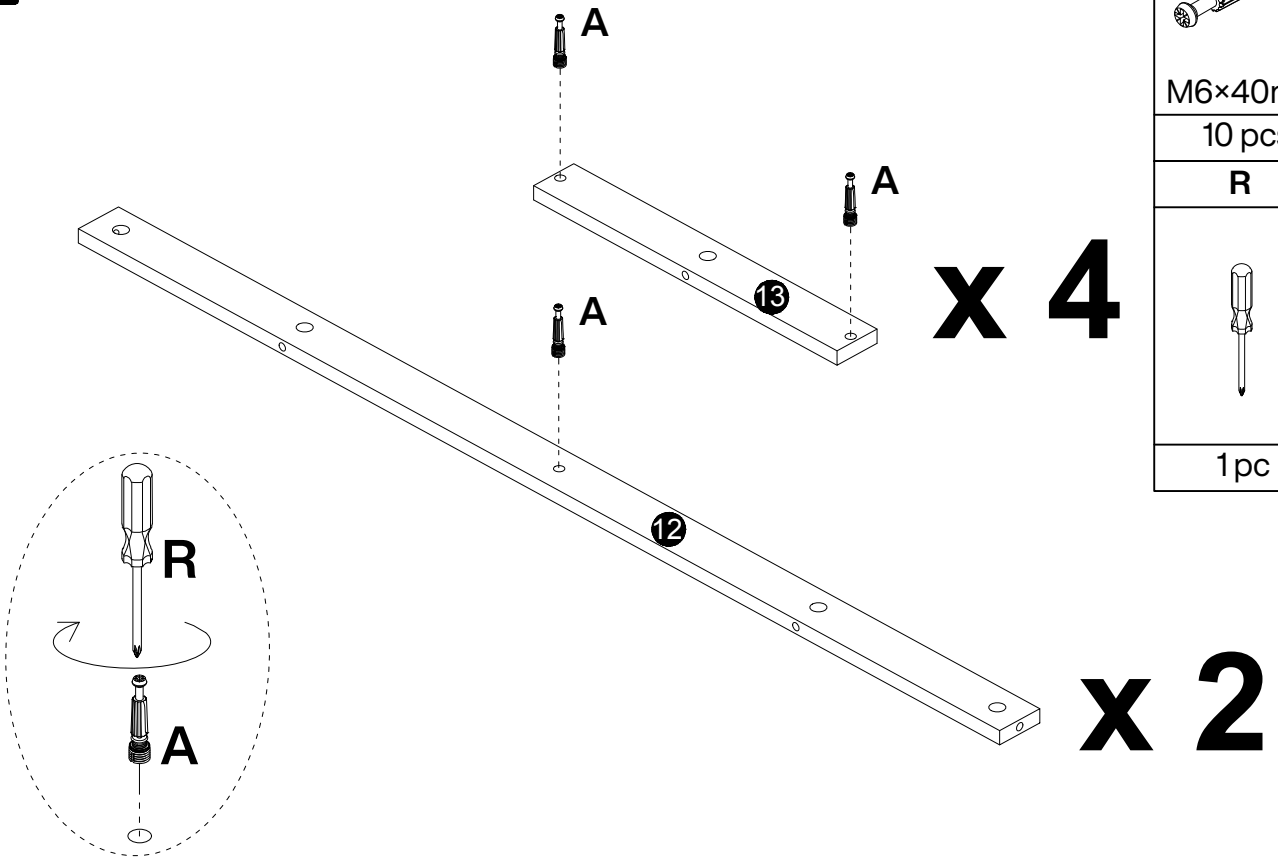
Pull apart component "N" to each side, and then gently push up the lever of component "N2"





Step 2 Split component "N1" and "N2"

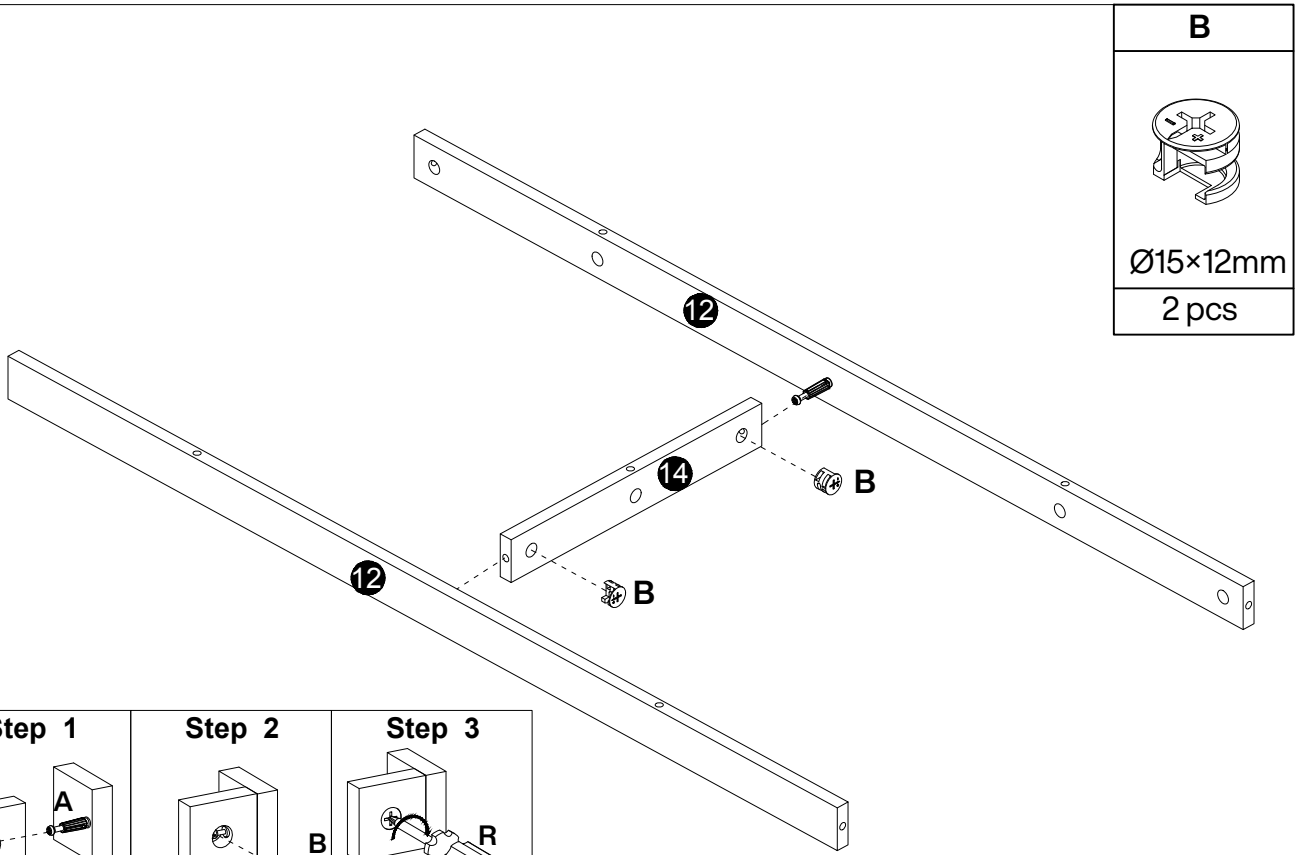


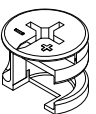
1

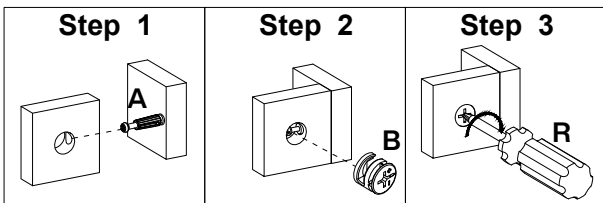


A

M6×40mm
10 pcs
R

1 pc

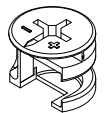
2

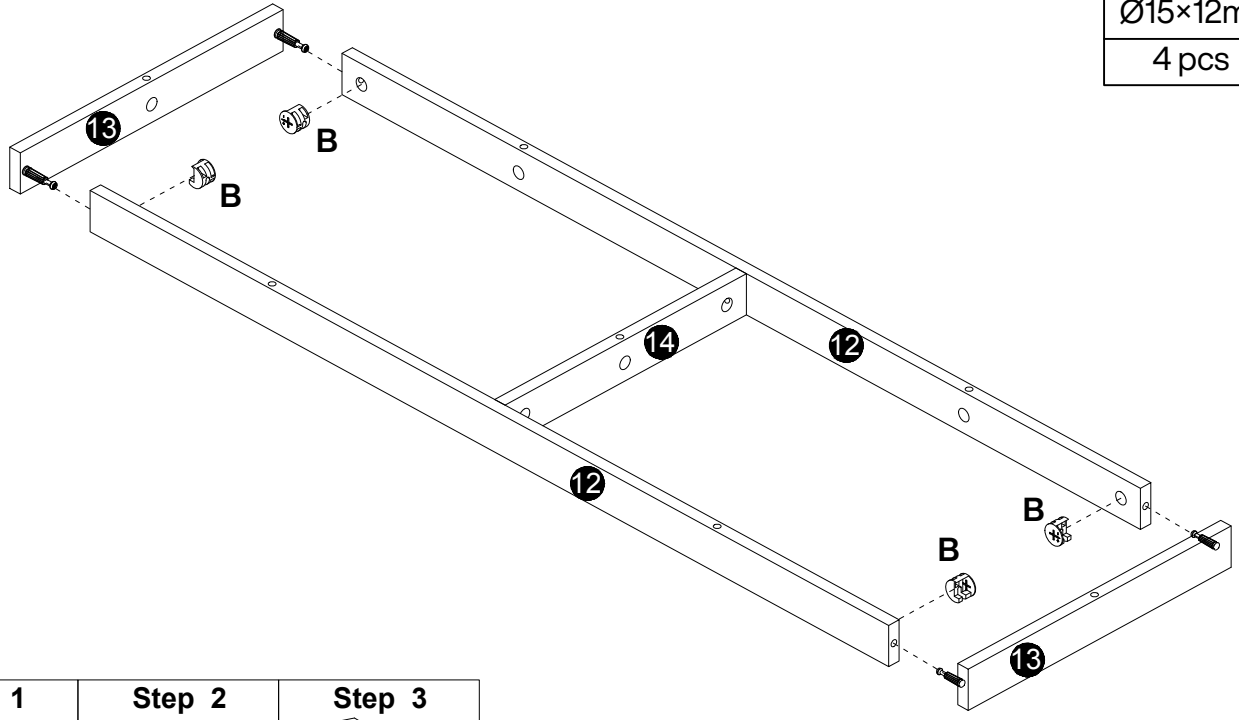


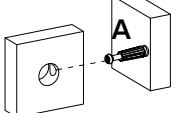
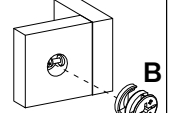
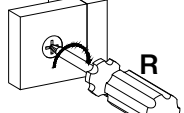
B

Ø15×12mm
2 pcs



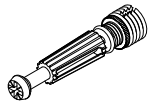
3

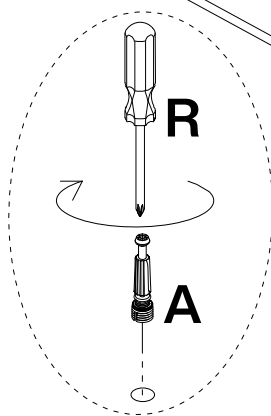
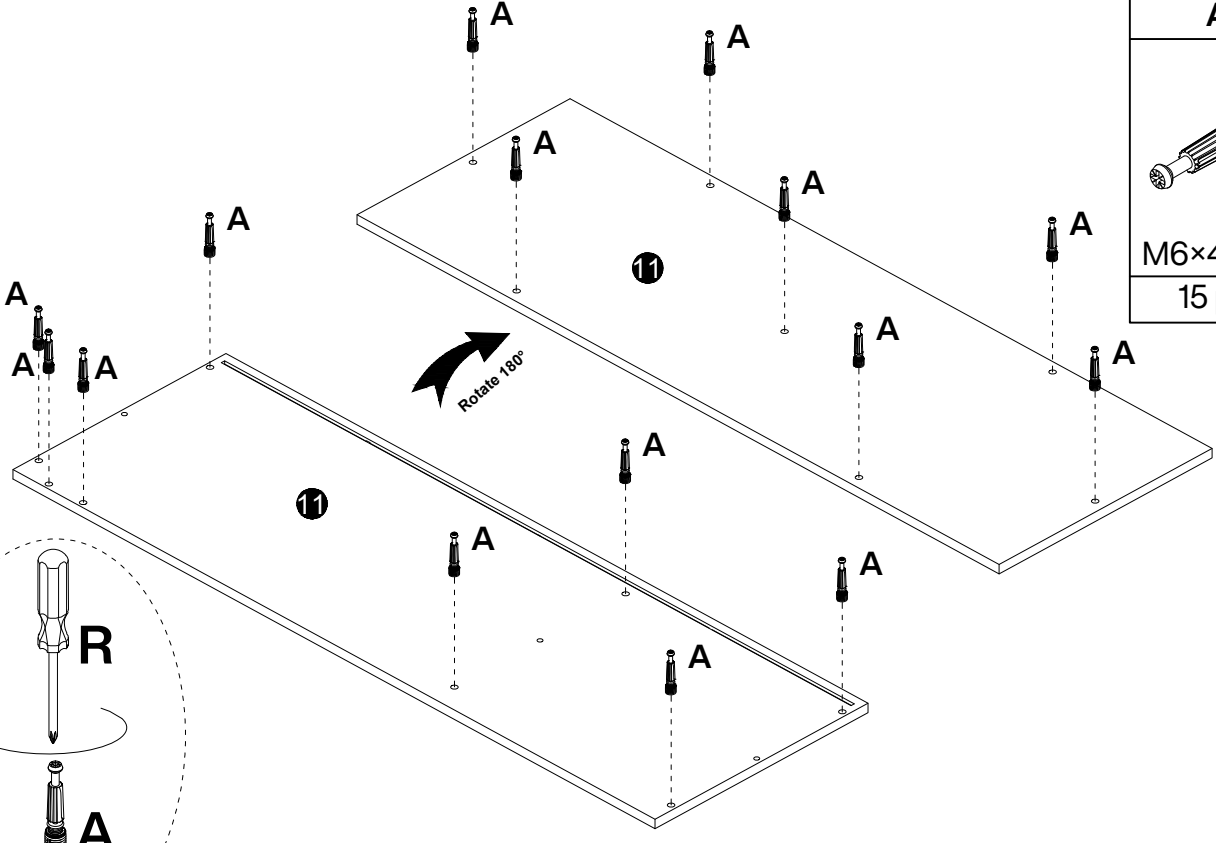
B

Ø15×12mm
4 pcs



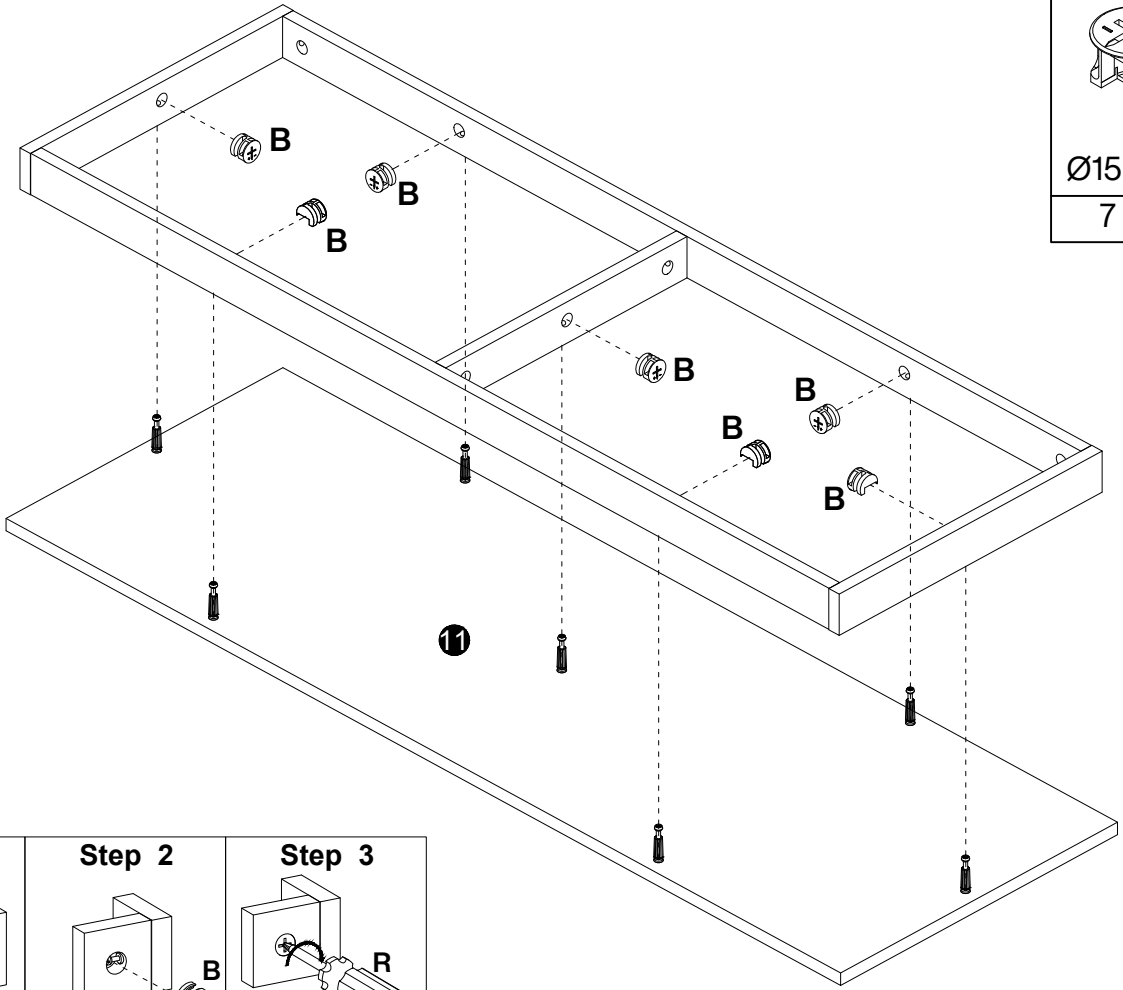
Step 1 	Step 2 	Step 3 
--	--	--

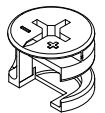
4

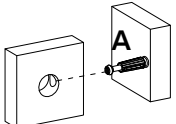
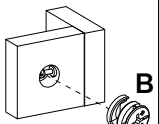
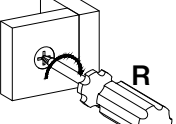
A

M6×40mm
15 pcs



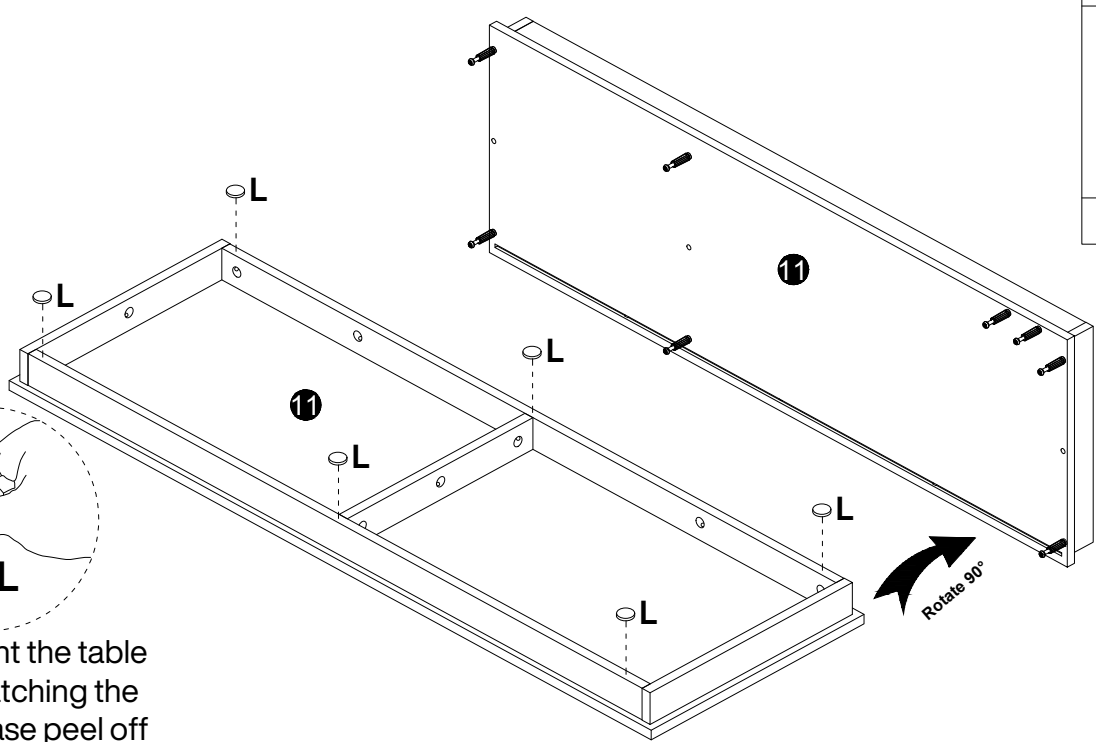
5




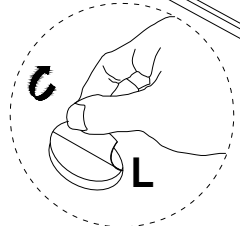
B

Ø15×12mm
7 pcs

Step 1 	Step 2 	Step 3 
--	--	--

6

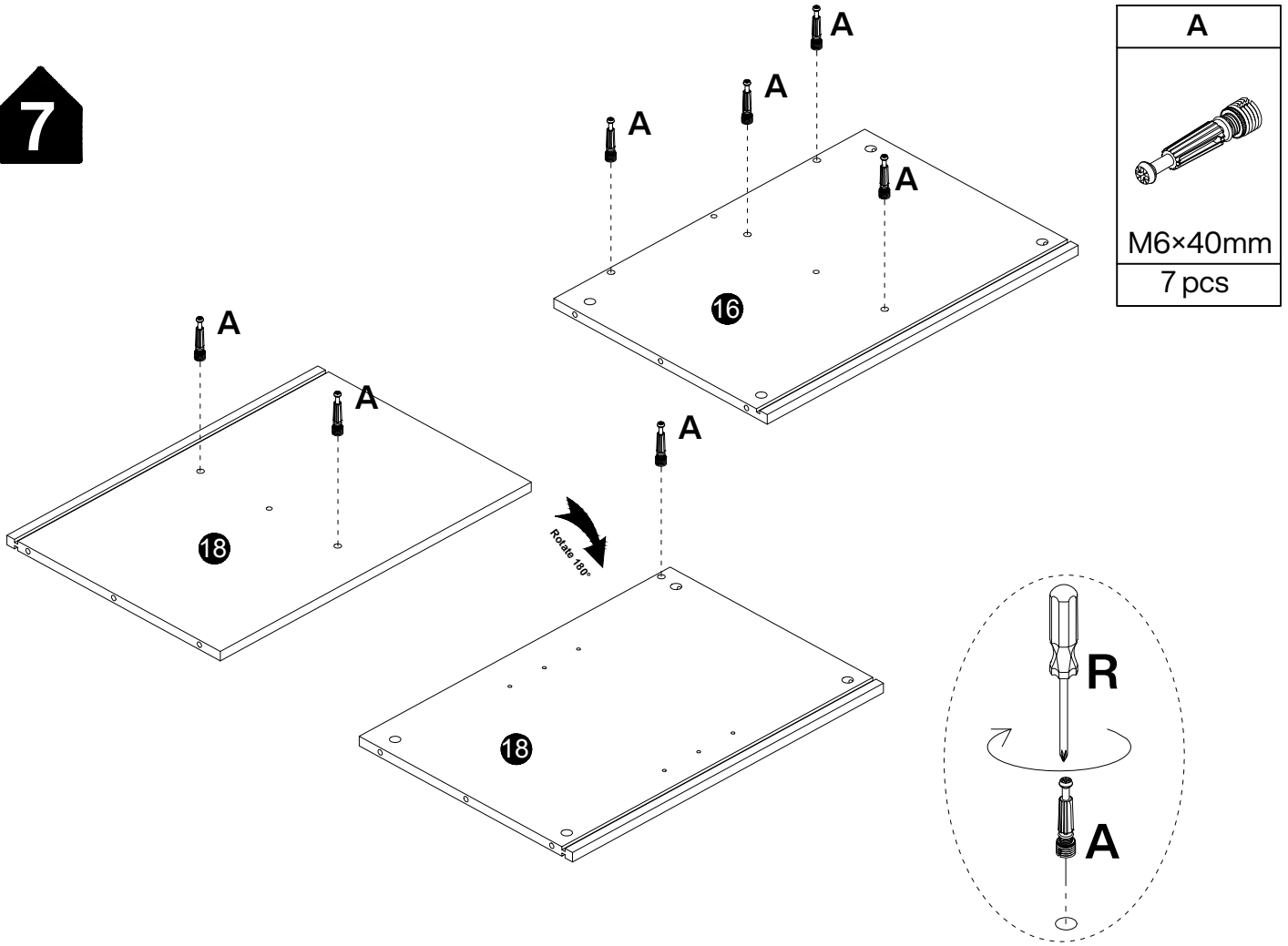


L

Ø15×2mm
6 pcs

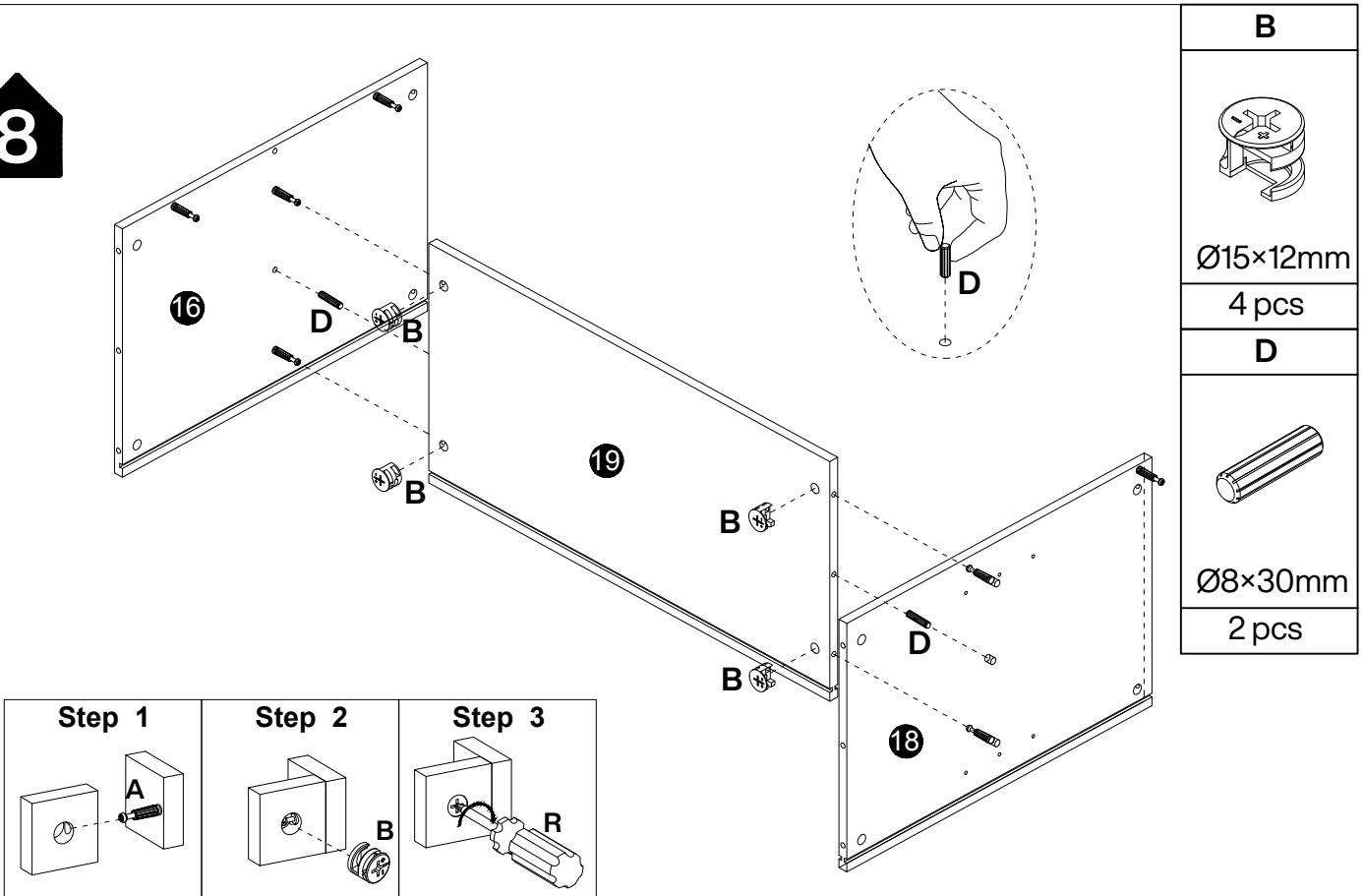


To prevent the table from scratching the floor, please peel off the tape on the #L and tape them to the corners of the table before use.

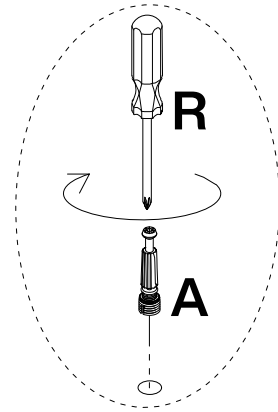
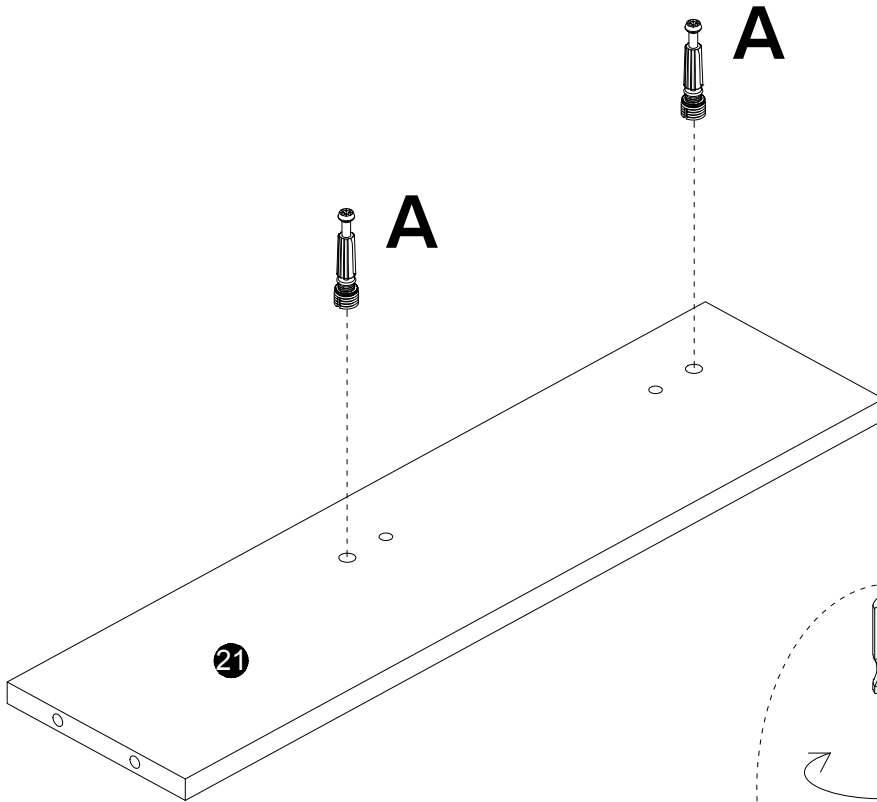
7

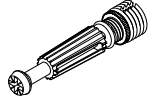


8

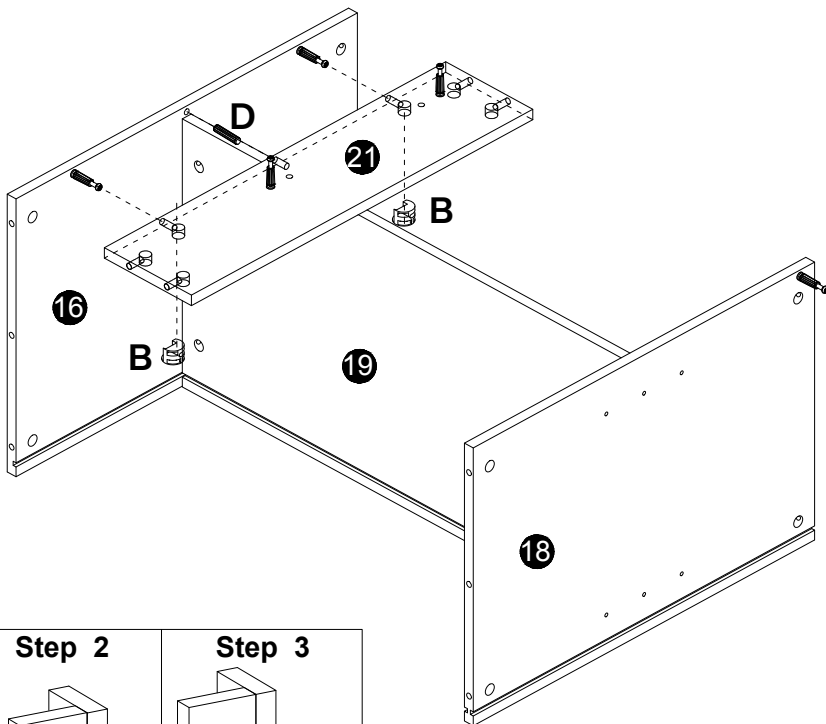


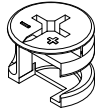
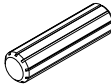
9

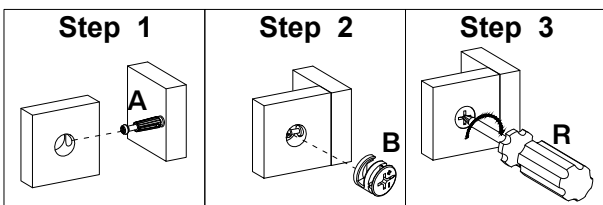


A

M6×40mm
2 pcs

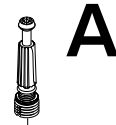
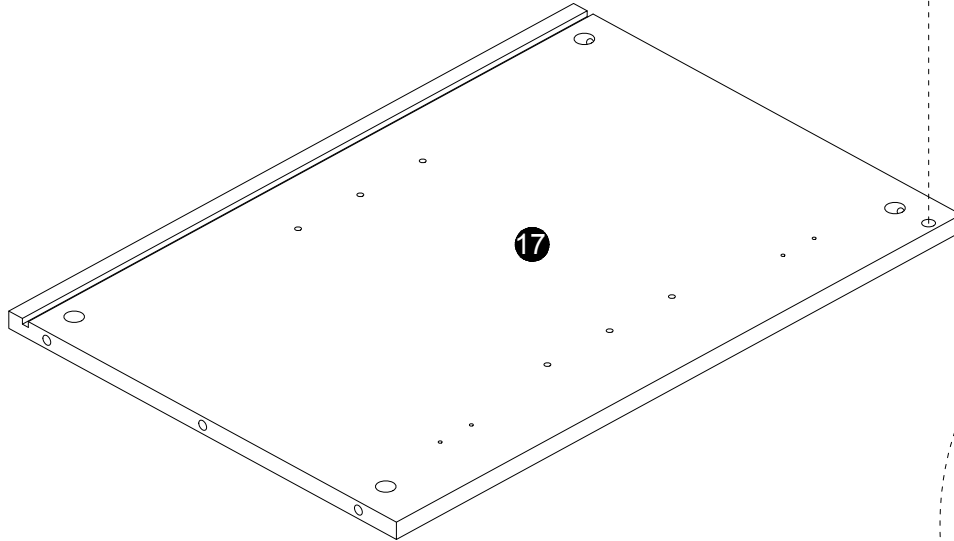
10

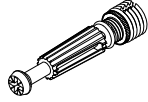


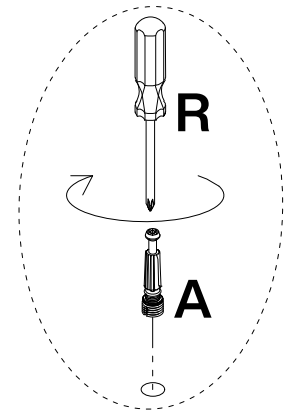
B

Ø15×12mm
2 pcs
D

Ø8×30mm
1 pcs



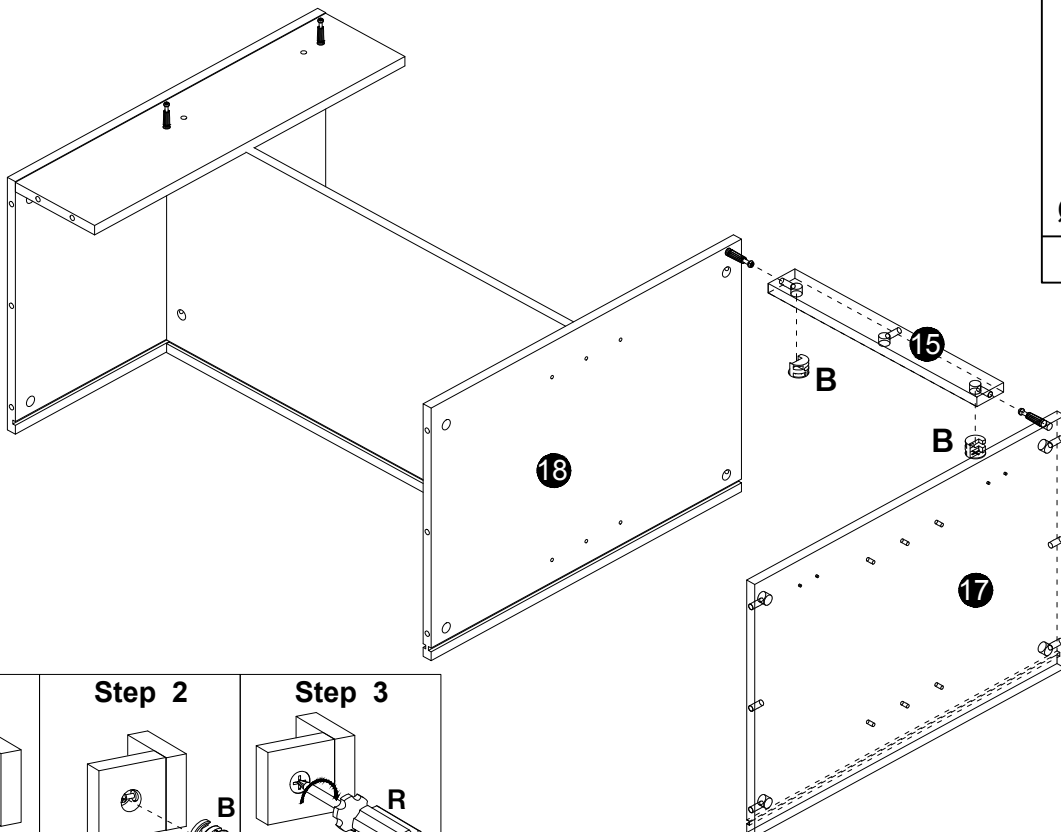
11

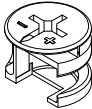


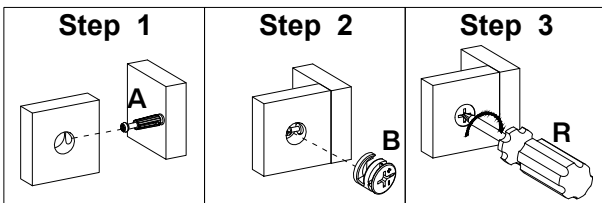
A

M6×40mm
1 pc



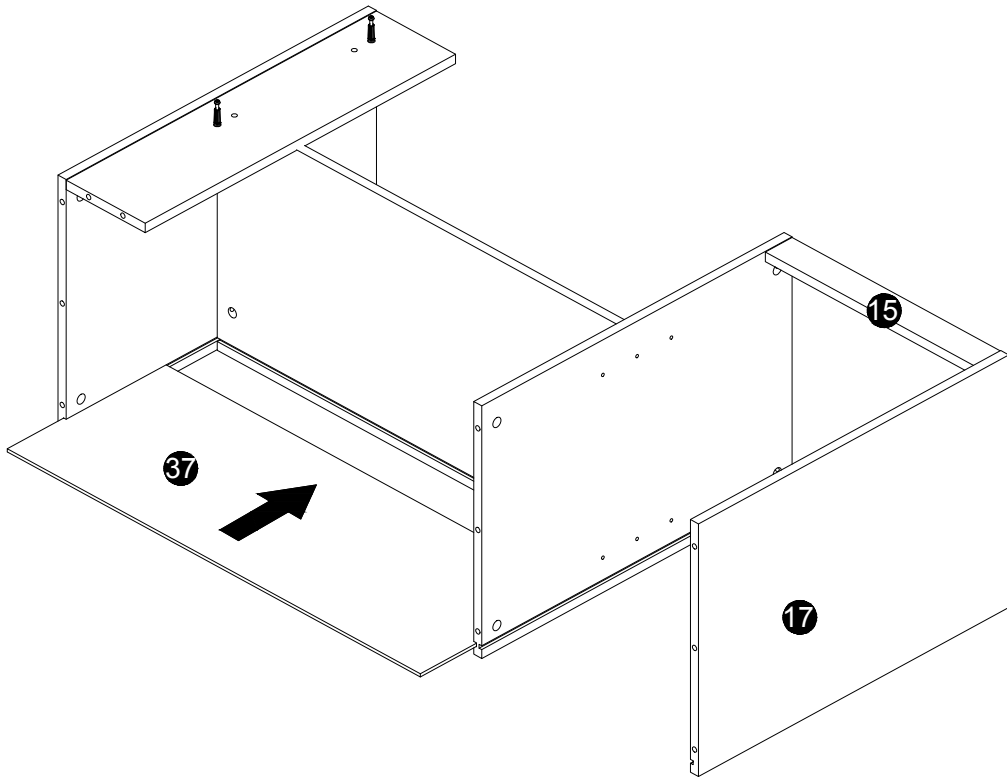
12



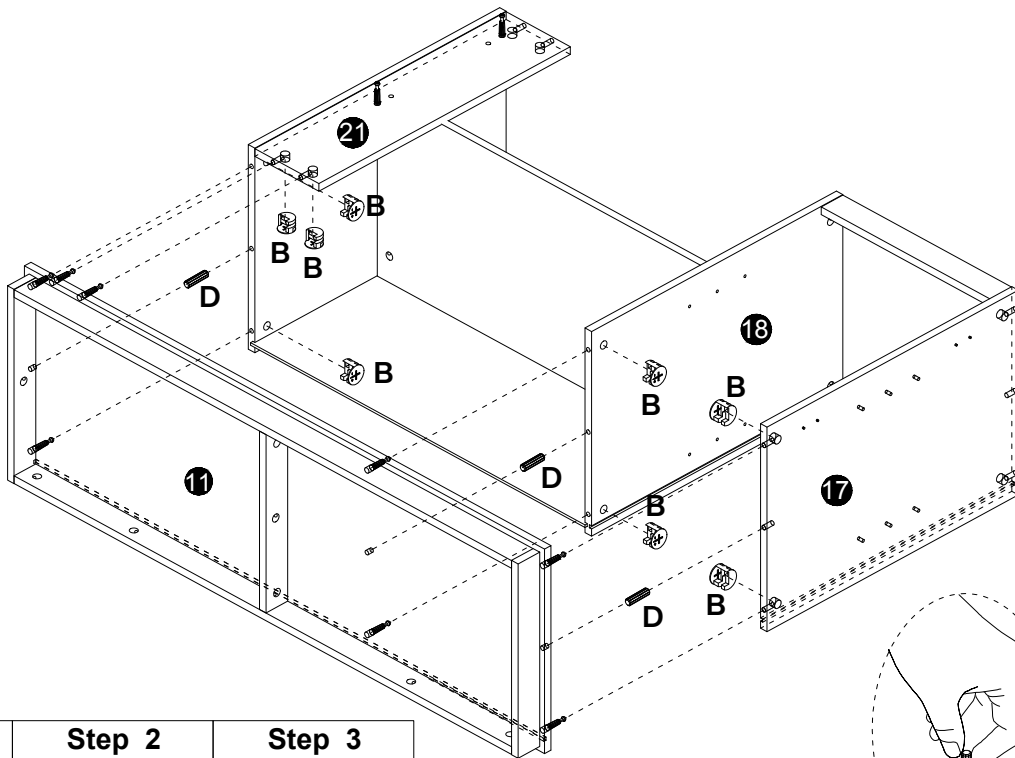
B

Ø15×12mm
2 pcs



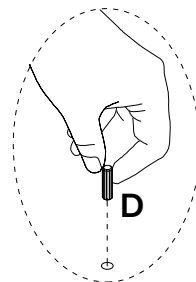
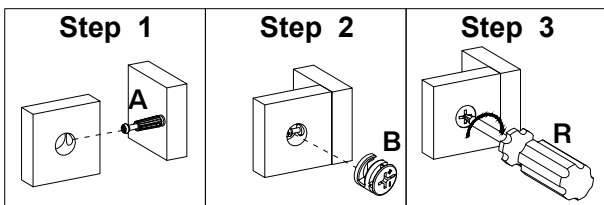
13



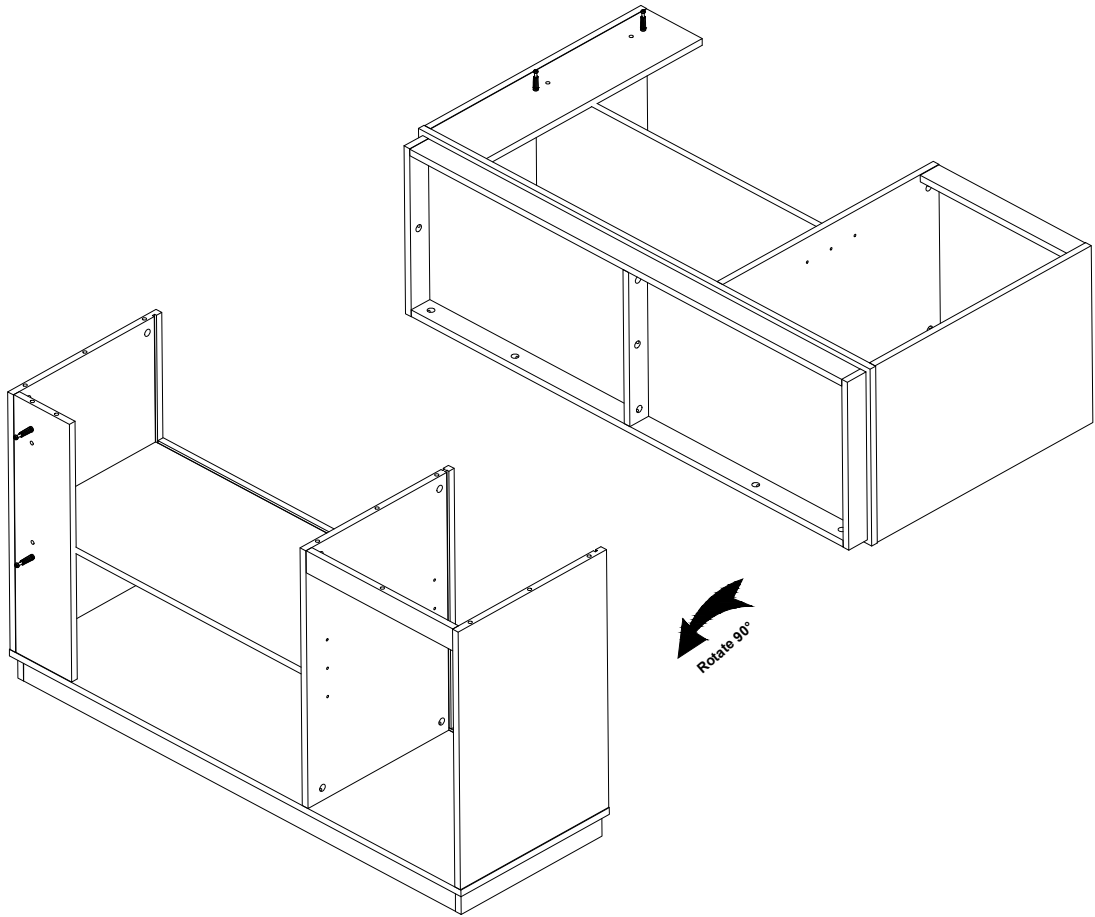
14



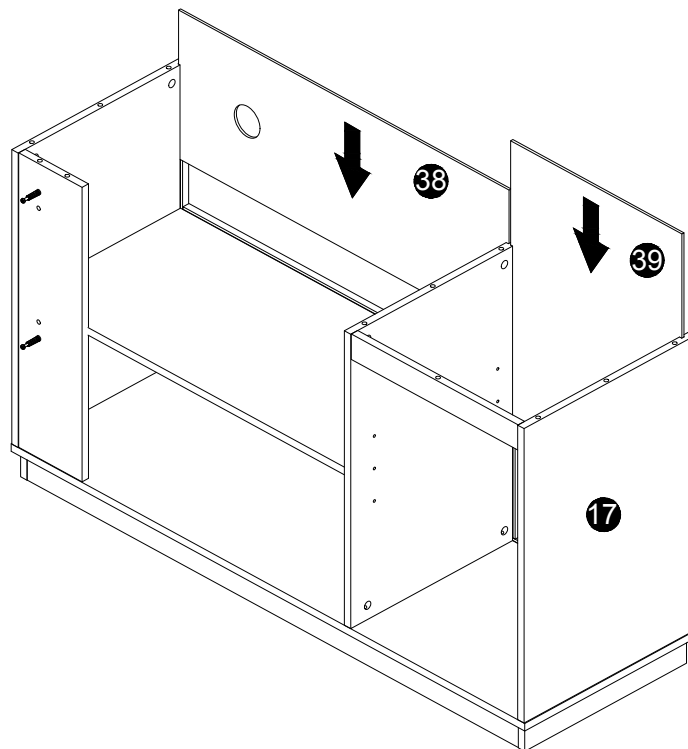
B
Ø15×12mm
8 pcs
D
Ø8×30mm
3 pcs



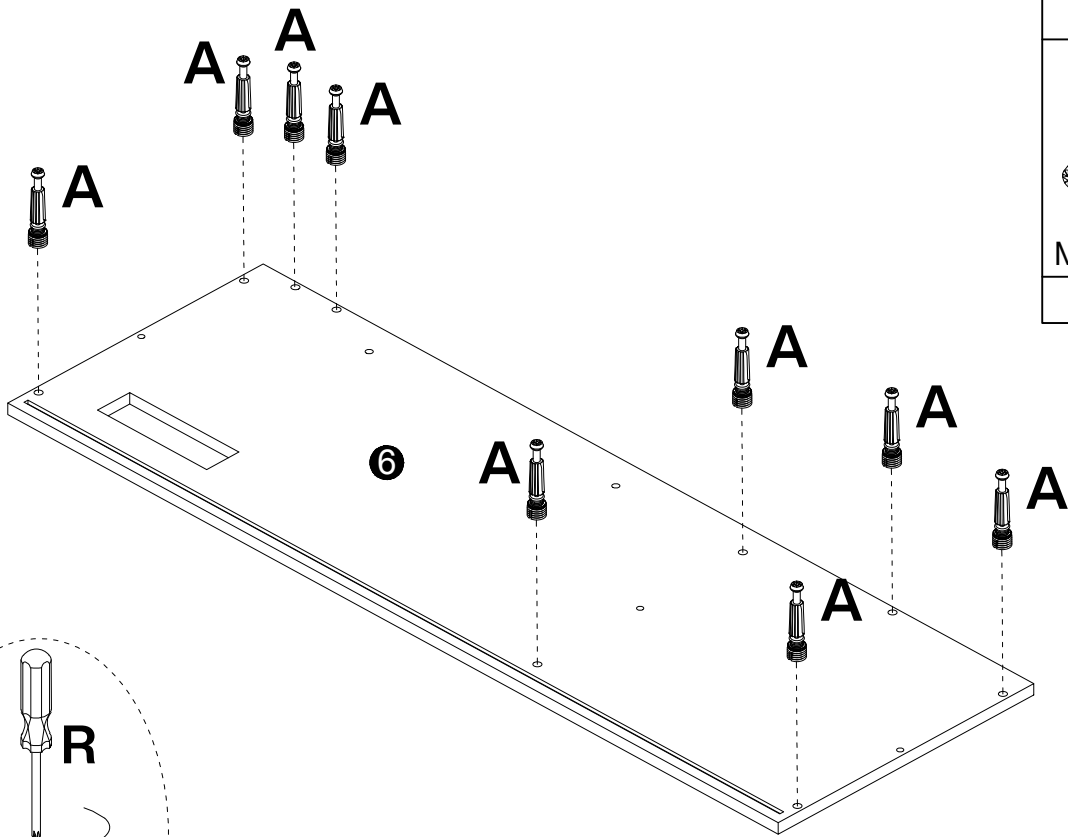
15

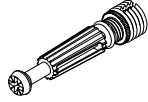


16

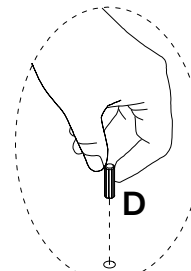
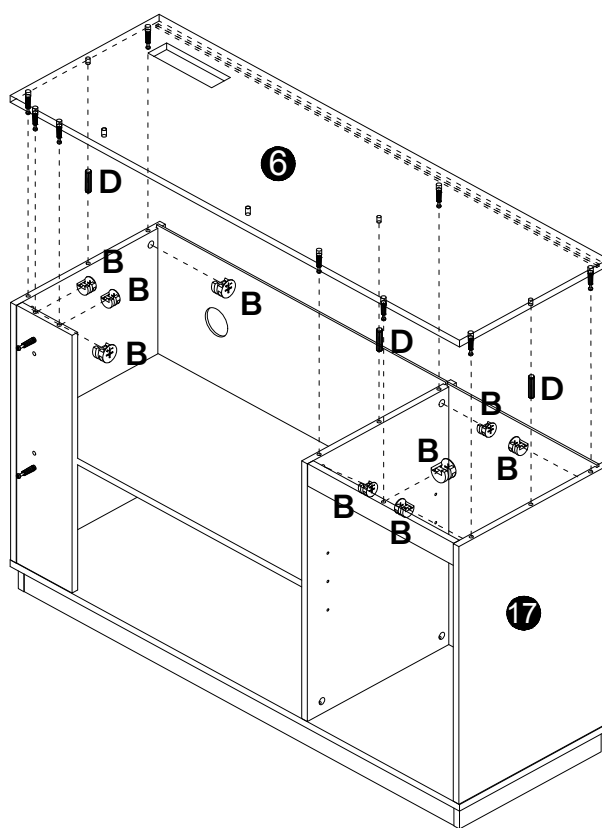


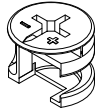
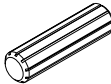
17

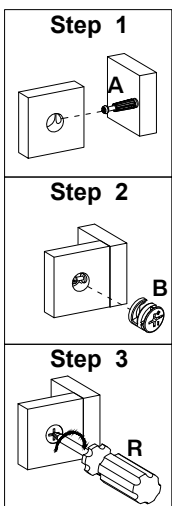


A

M6×40mm
9 pcs

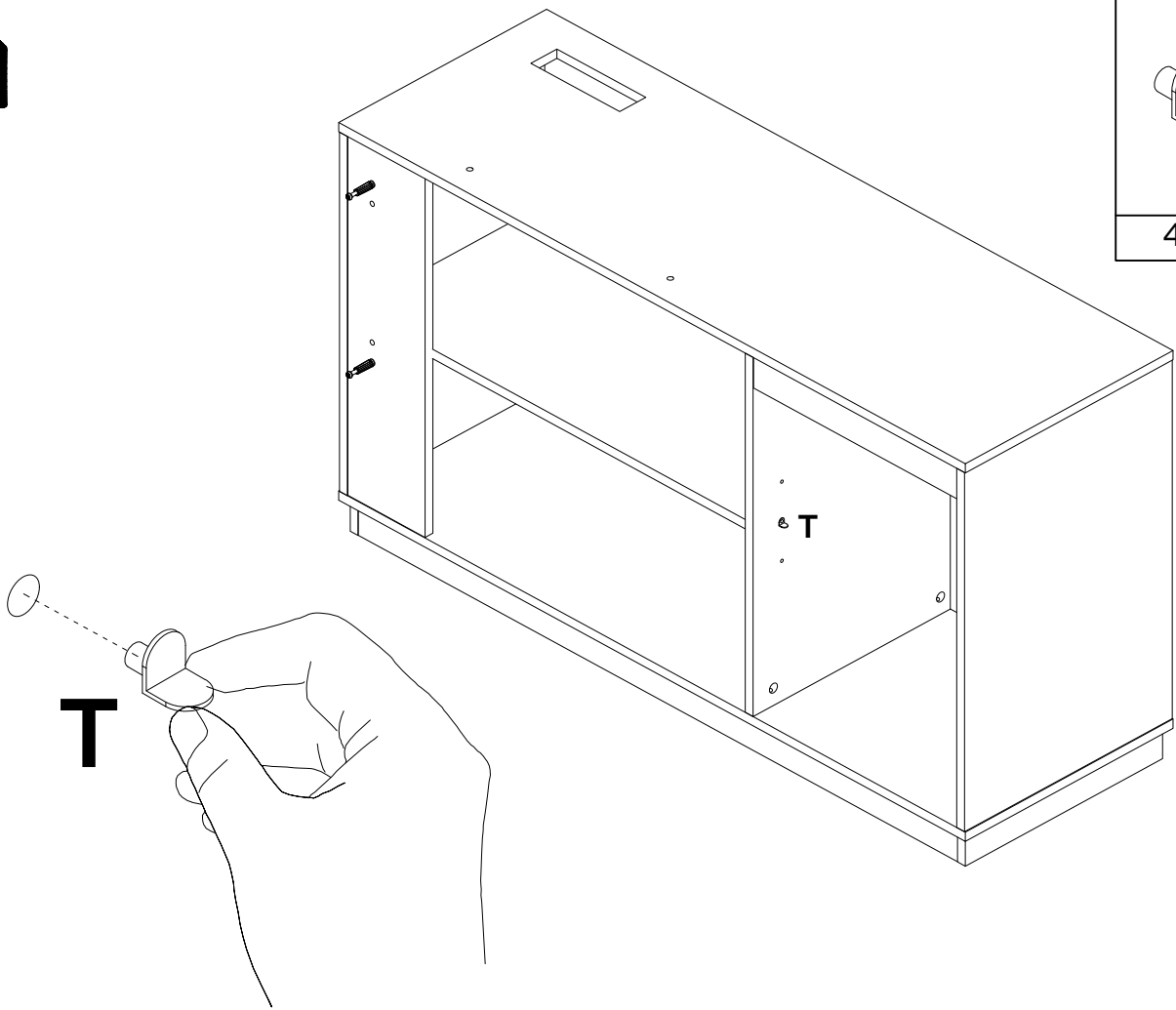
18

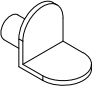


B

Ø15×12mm
9 pcs
D

Ø8×30mm
3 pcs

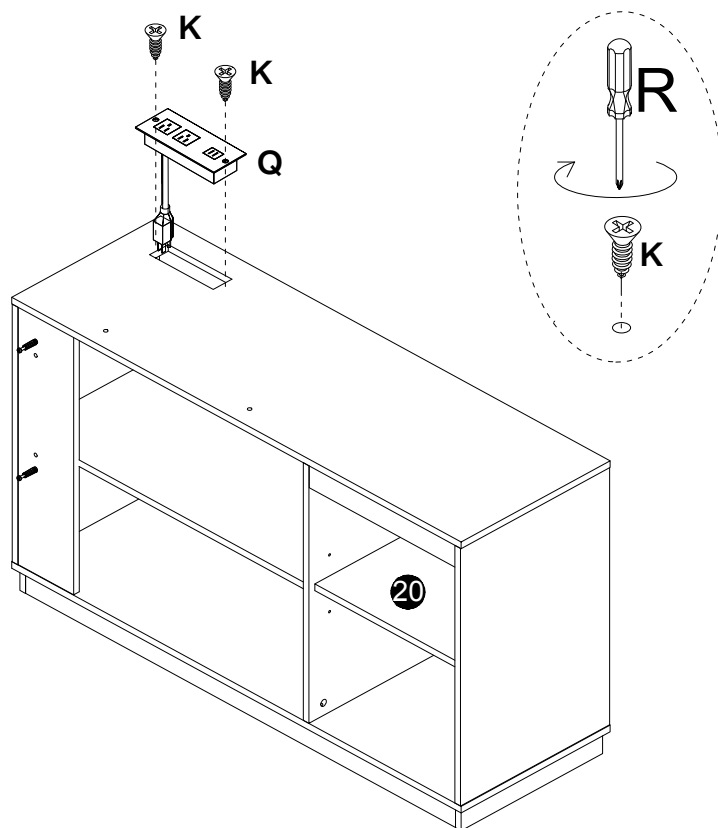


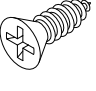
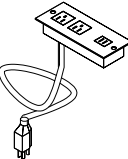
19



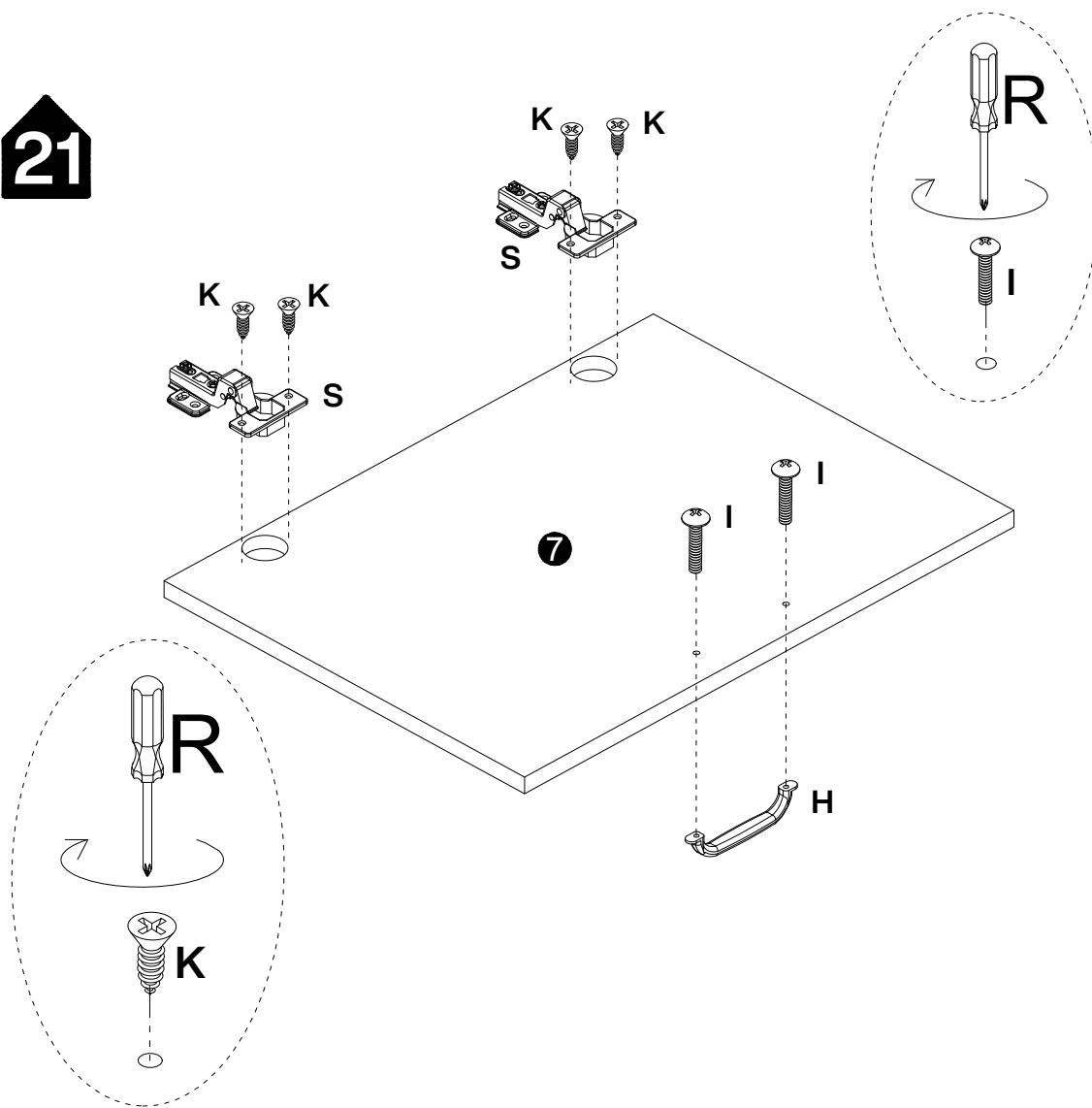
T

4 pcs

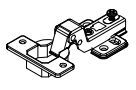
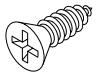


20



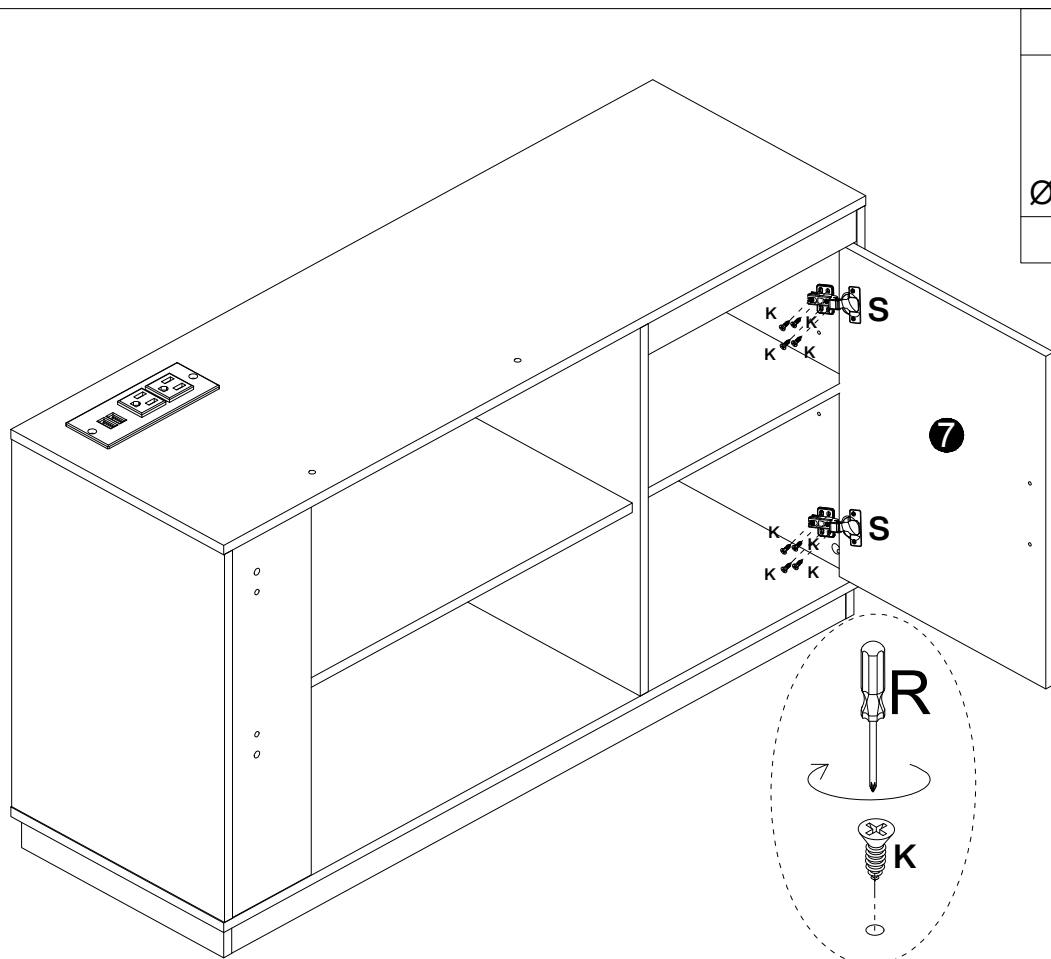
K

Ø3.5×14mm
2 pcs
Q

1 pc

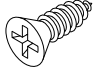
21



S

2 pcs
K

Ø3.5×14mm
4 pcs
H

1 pc
I

Ø4×20mm
2 pcs

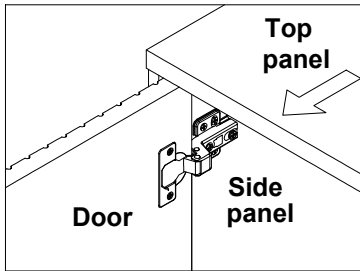
22



K

Ø3.5×14mm
8 pcs

Step 1

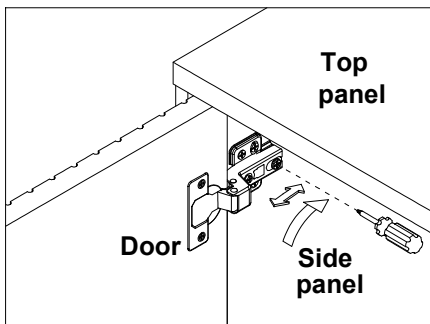
Open the door.



ADJUST YOUR DOORS TO MAKE THE GAPS MORE EVEN (OPTIONAL).

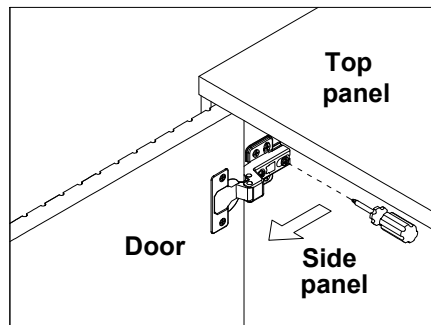
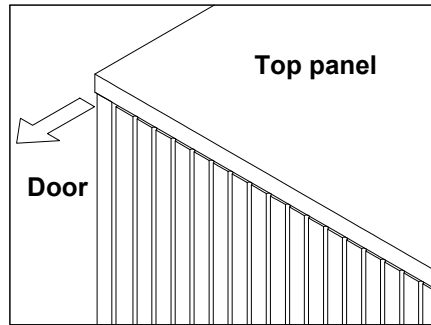
Step 2

Adjust the door panel to be flush with side panel and top panel edge.



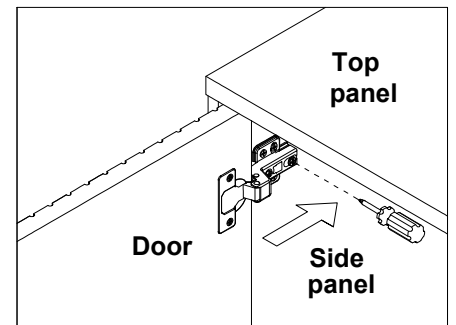
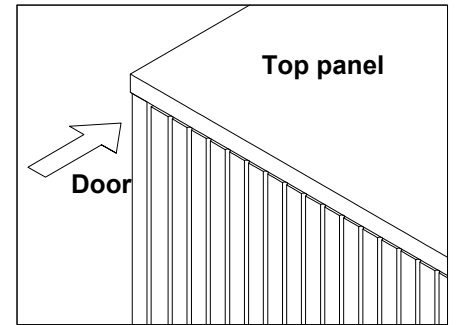
Loosen the screw indicated a little, adjust the hinge to the right position (see step 2a & 2b), then tighten the screw.

Step 2a MOVE DOOR OUT



Pull the hinge forward a little.

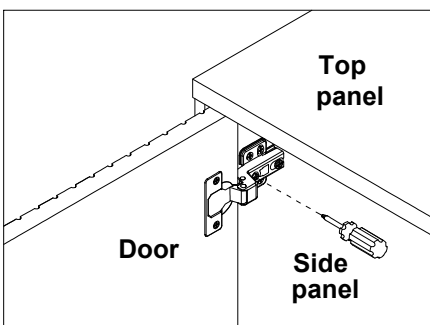
Step 2b MOVE DOOR IN



Push the hinge back a little.

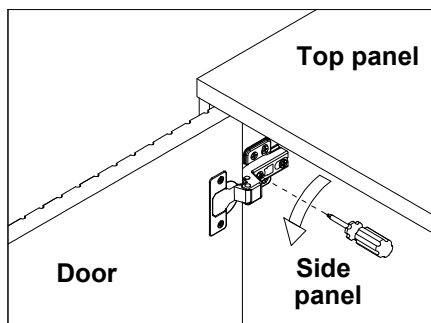
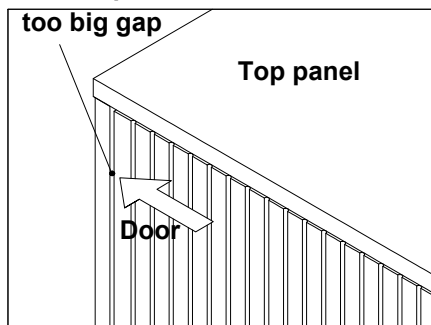
Step 3

Adjust the gap between the door panel and the side panel.



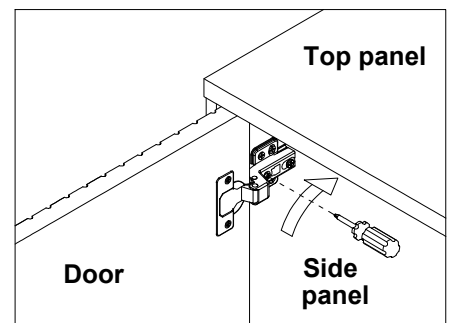
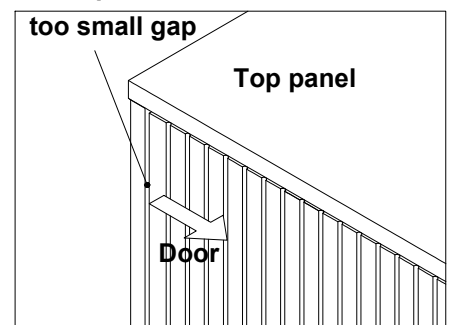
Loosen or tighten the screw indicated a little to adjust the gap between the door panels, adjust the hinge to the right position (see step 3a & 3b).

Step 3a MOVE DOOR LEFT



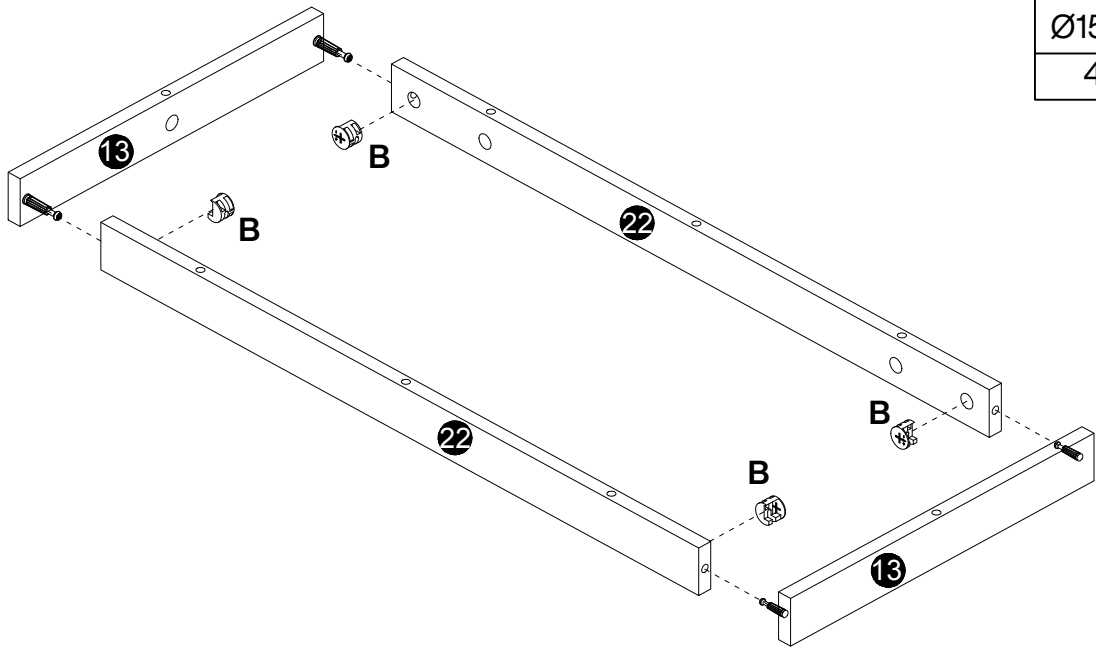
Turn the screw clockwise a little as shown to make the gap smaller

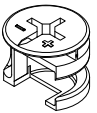
Step 3b MOVE DOOR RIGHT

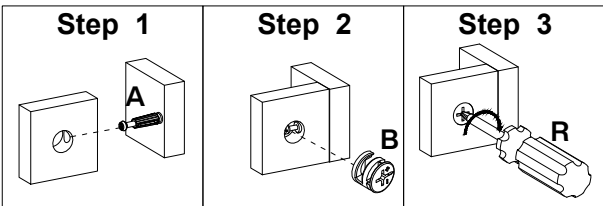


Turn the screw counterclockwise a little as shown to make the gap bigger

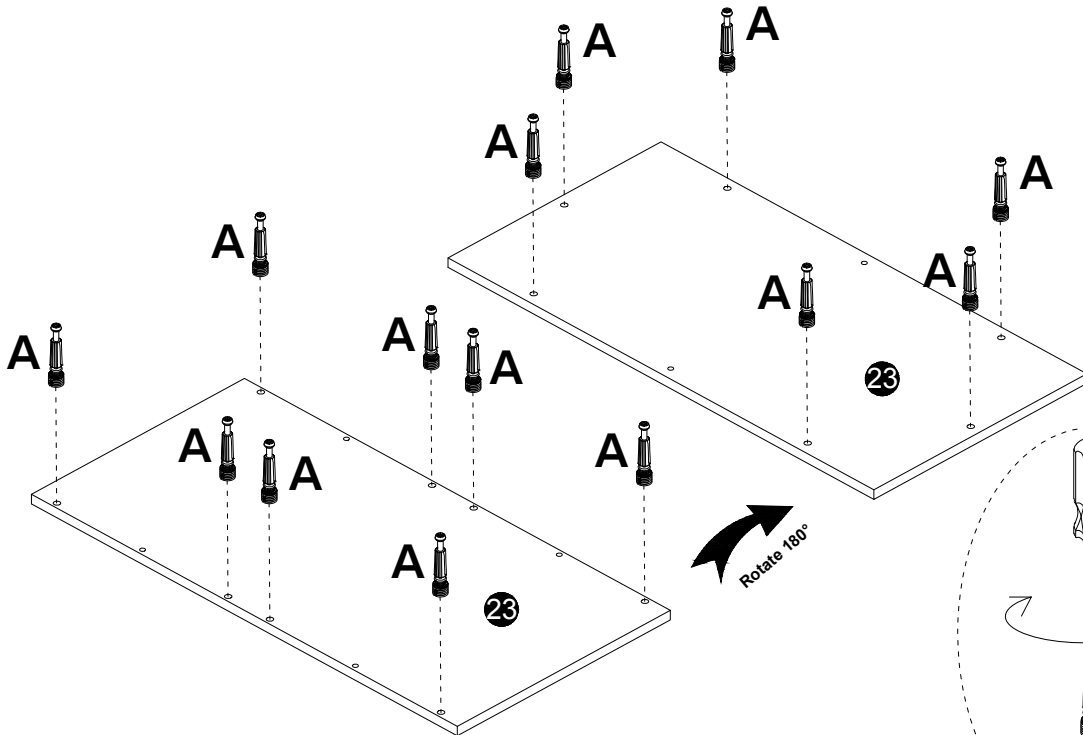
23

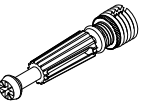


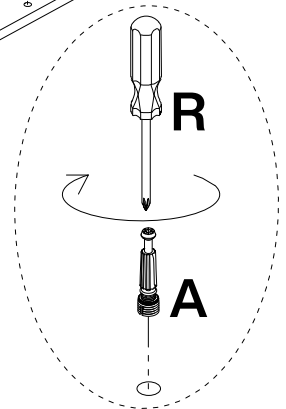
B

Ø15×12mm
4 pcs



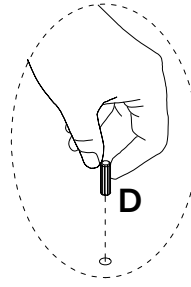
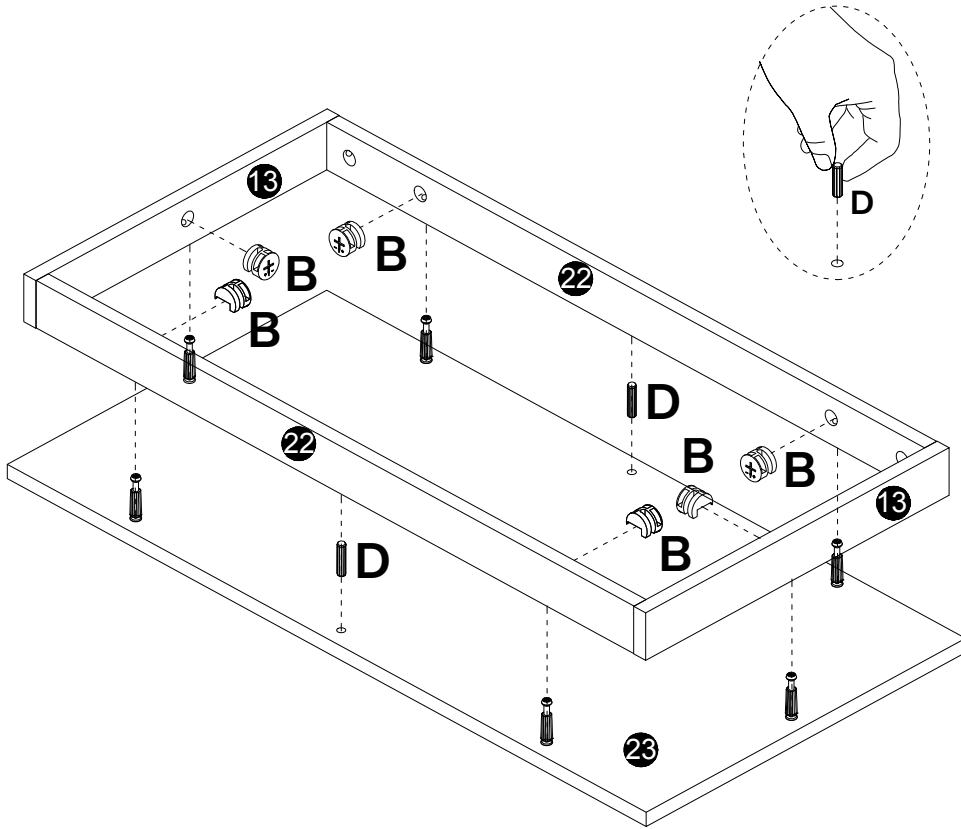
24

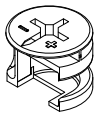
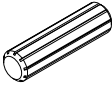


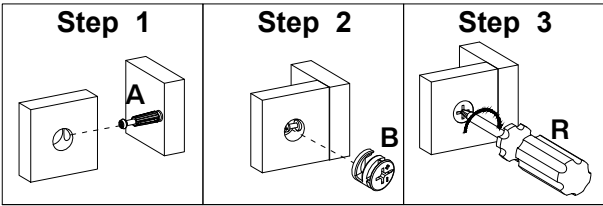
A

M6×40mm
14 pcs



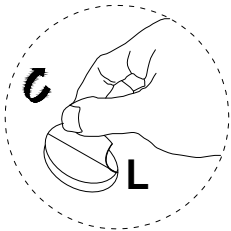
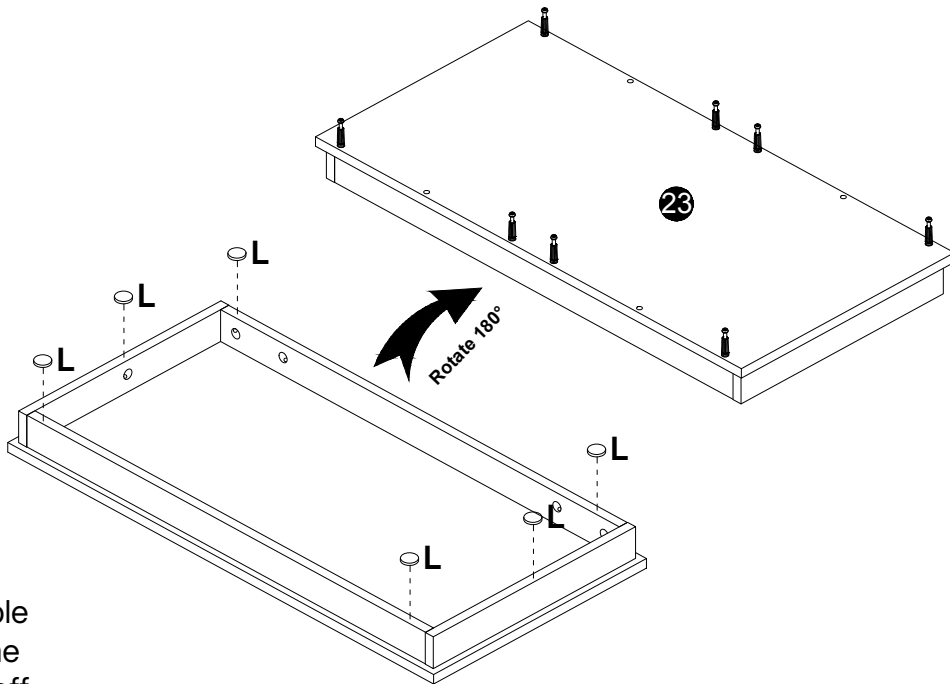
25

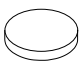


B

Ø15×12mm
6 pcs
D

Ø8×30mm
2 pcs



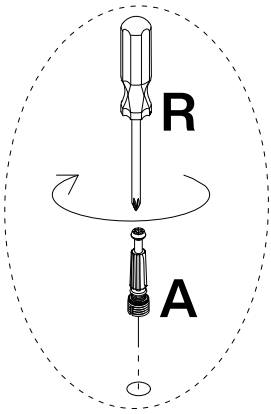
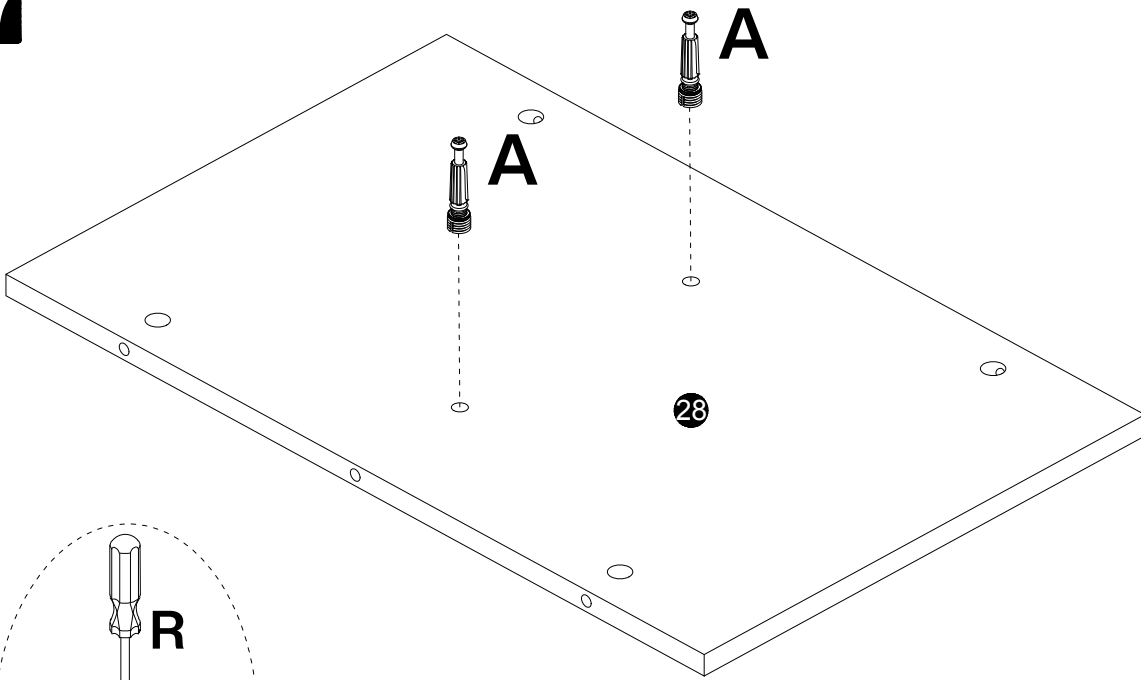
26

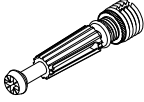


L

Ø15×2mm
6 pcs

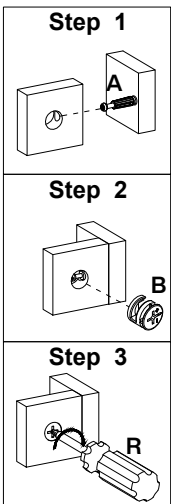
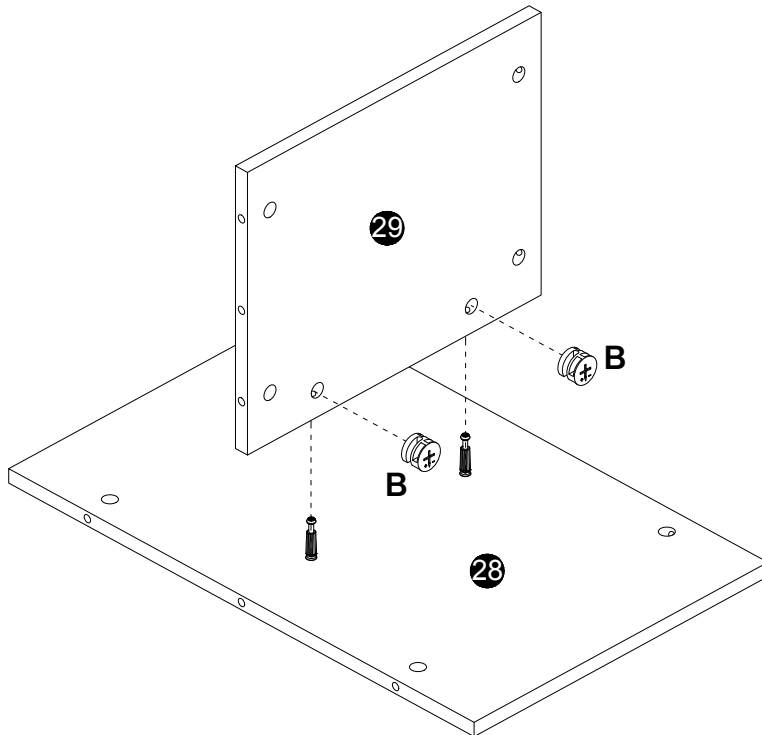
To prevent the table from scratching the floor, please peel off the tape on the #L and tape them to the corners of the table before use.

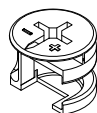
27



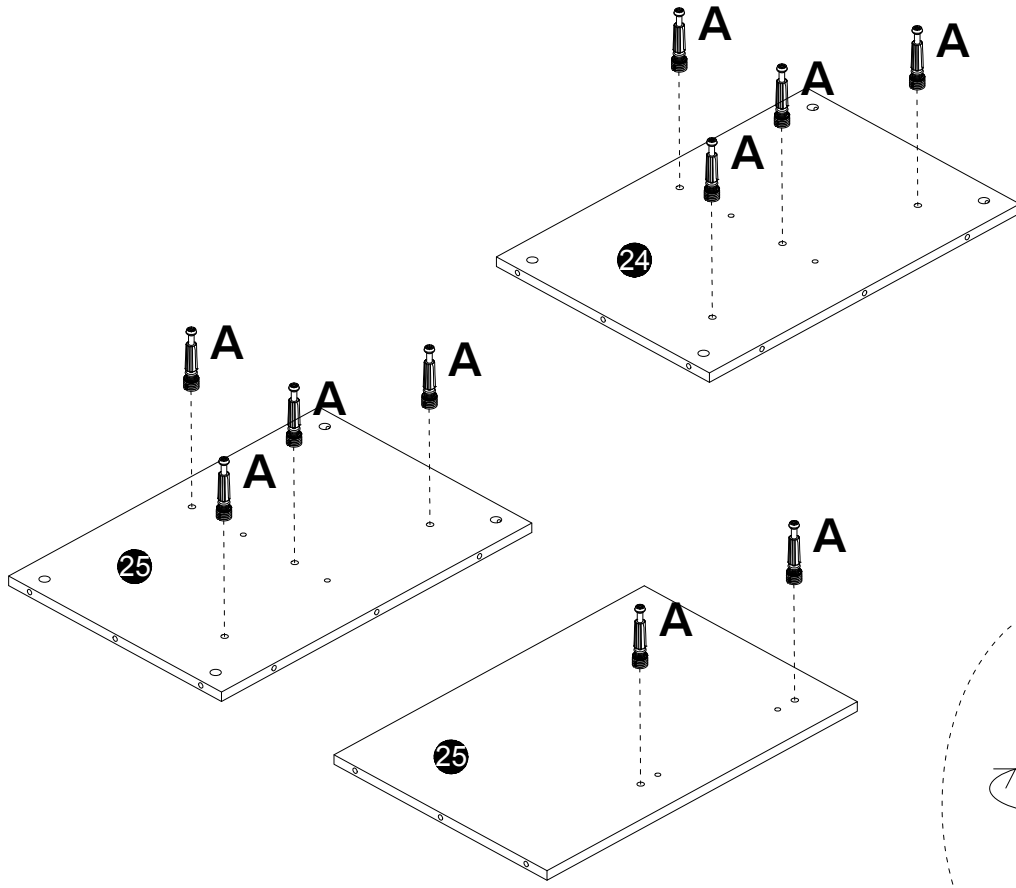
A

M6×40mm
2 pcs

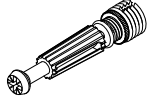
28

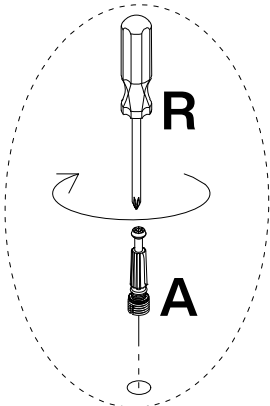


B

Ø15×12mm
2 pcs

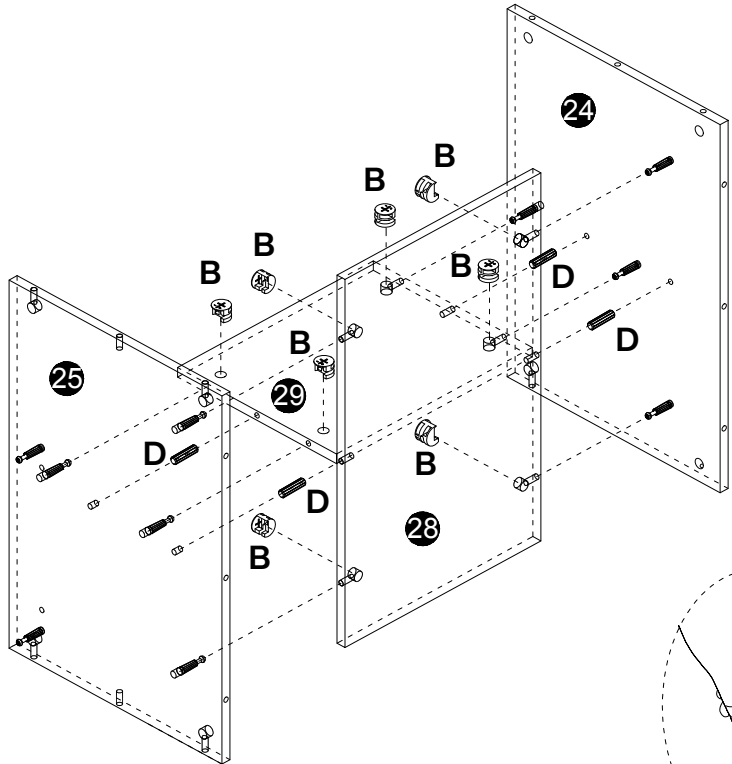
29



A

M6×40mm
10 pcs



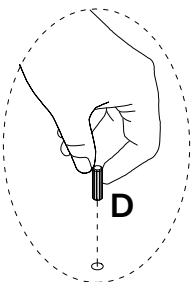
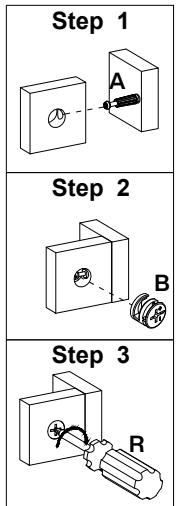
30



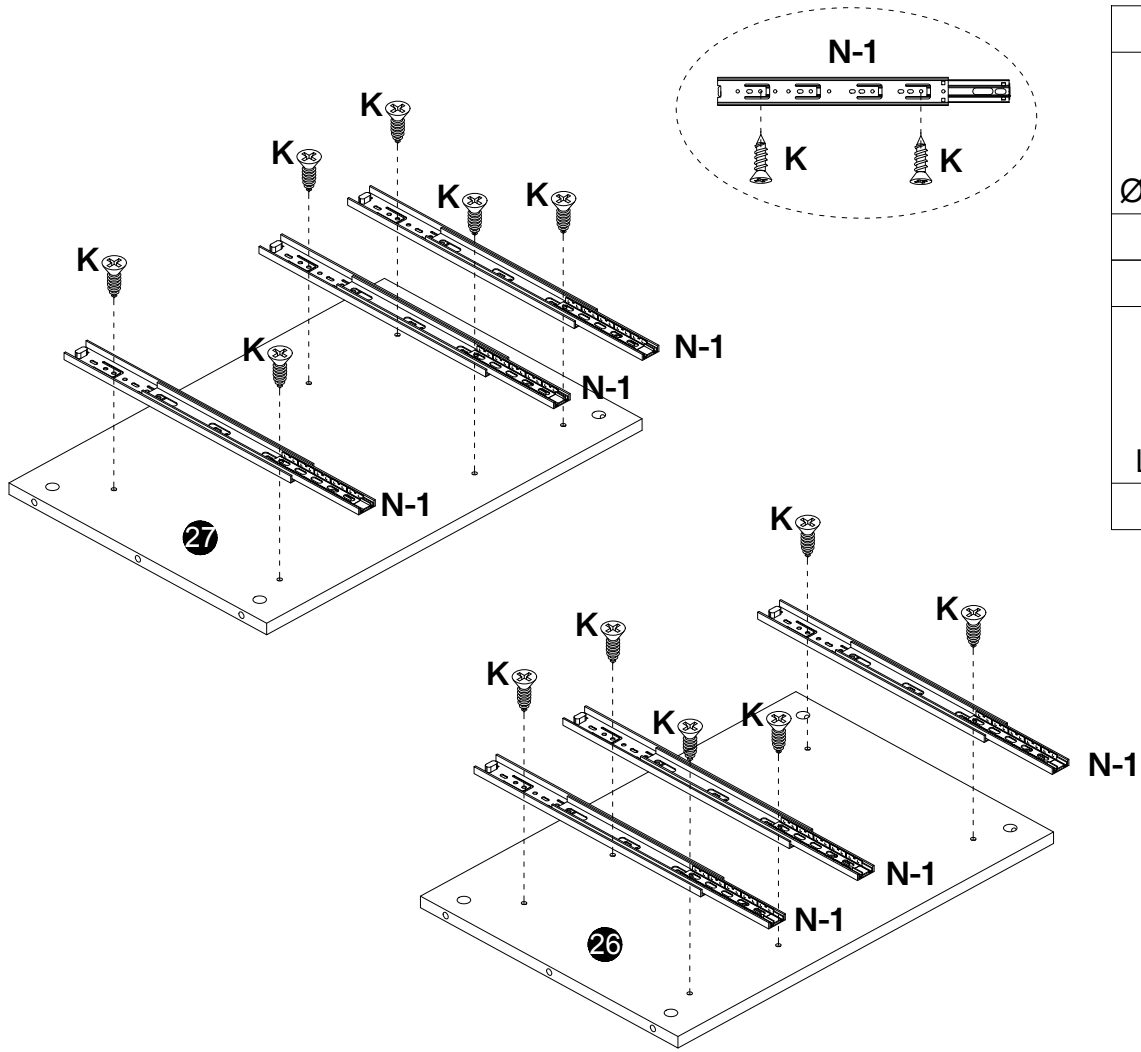
B

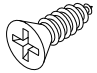

Ø15×12mm
8 pcs
D

Ø8×30mm
4 pcs

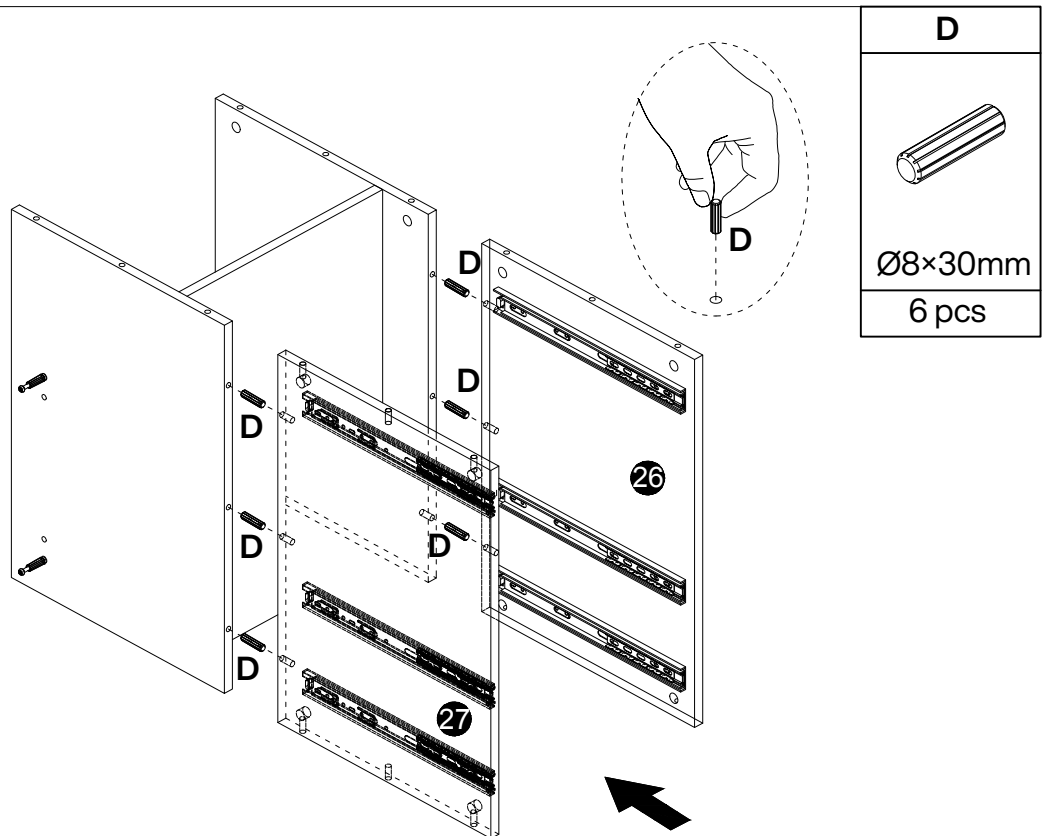


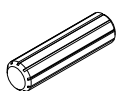
31



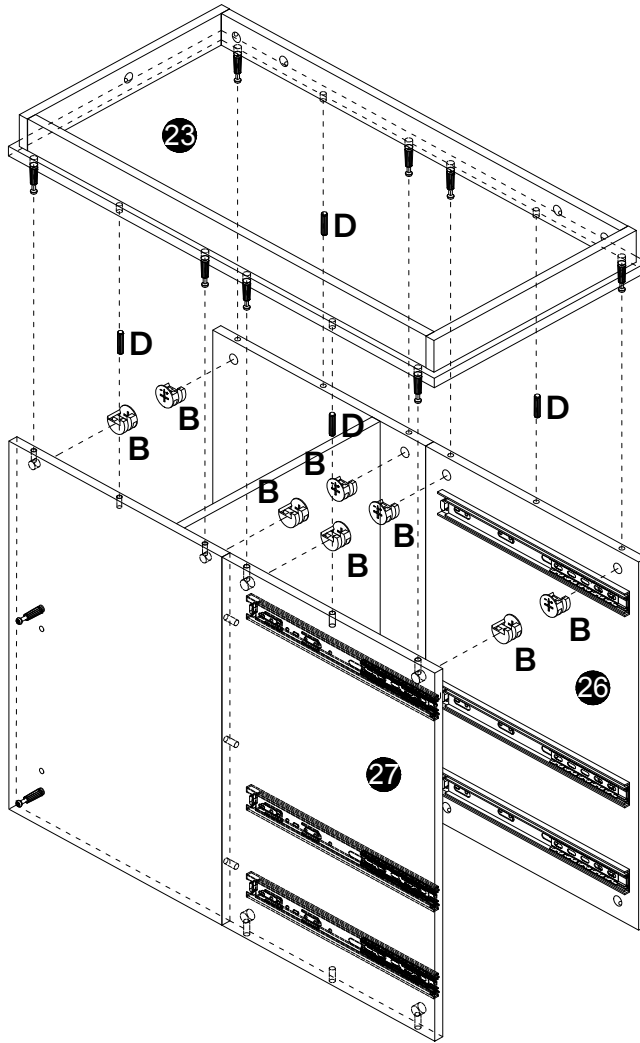
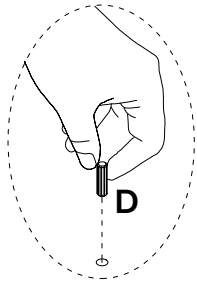
K

Ø3.5×14mm
12 pcs
N-1

L350mm
6 pcs

32



D

Ø8×30mm
6 pcs

33

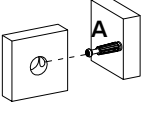


B

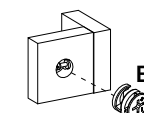
Ø15×12mm
8 pcs
D

Ø8×30mm
4 pcs

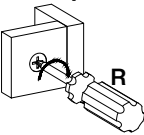
Step 1



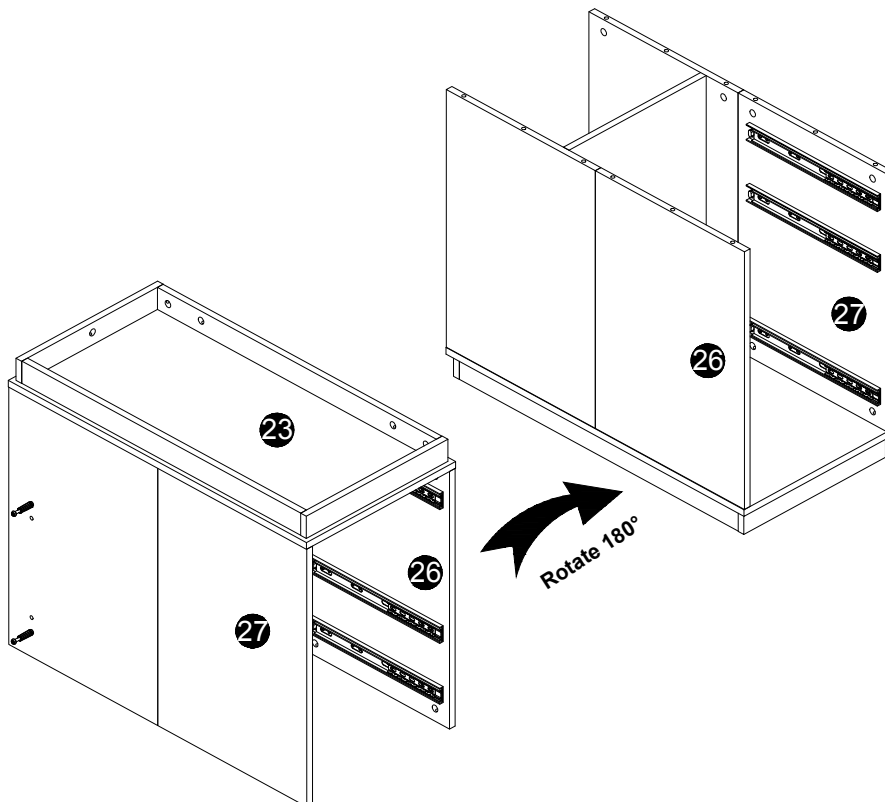
Step 2



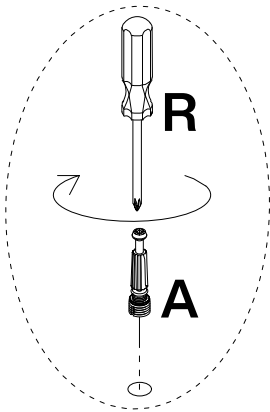
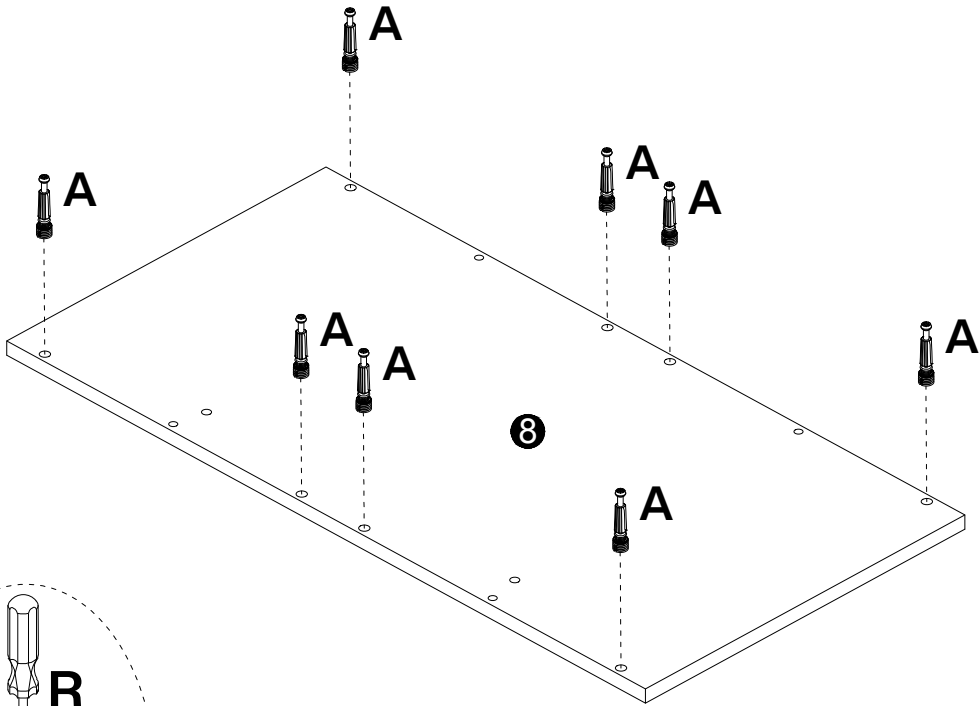
Step 3

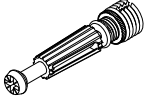


34

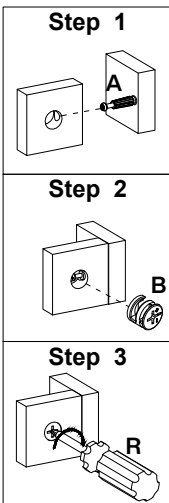
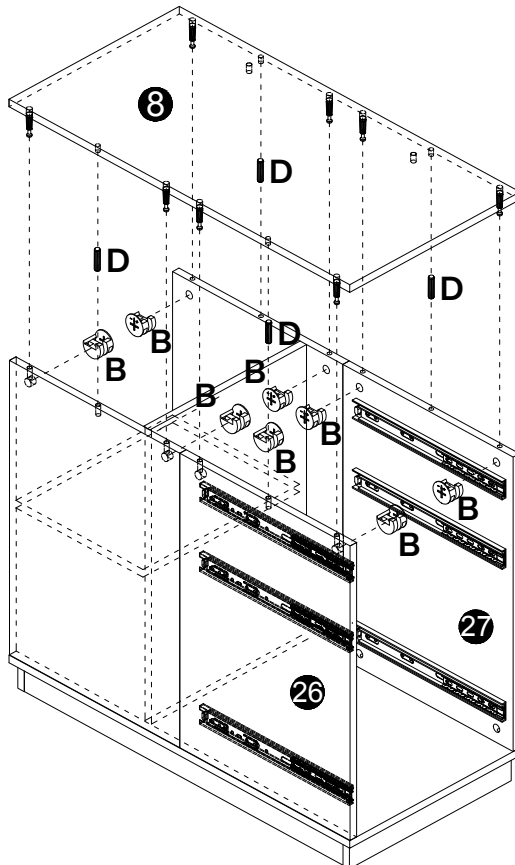


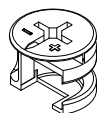
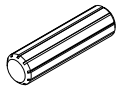
35



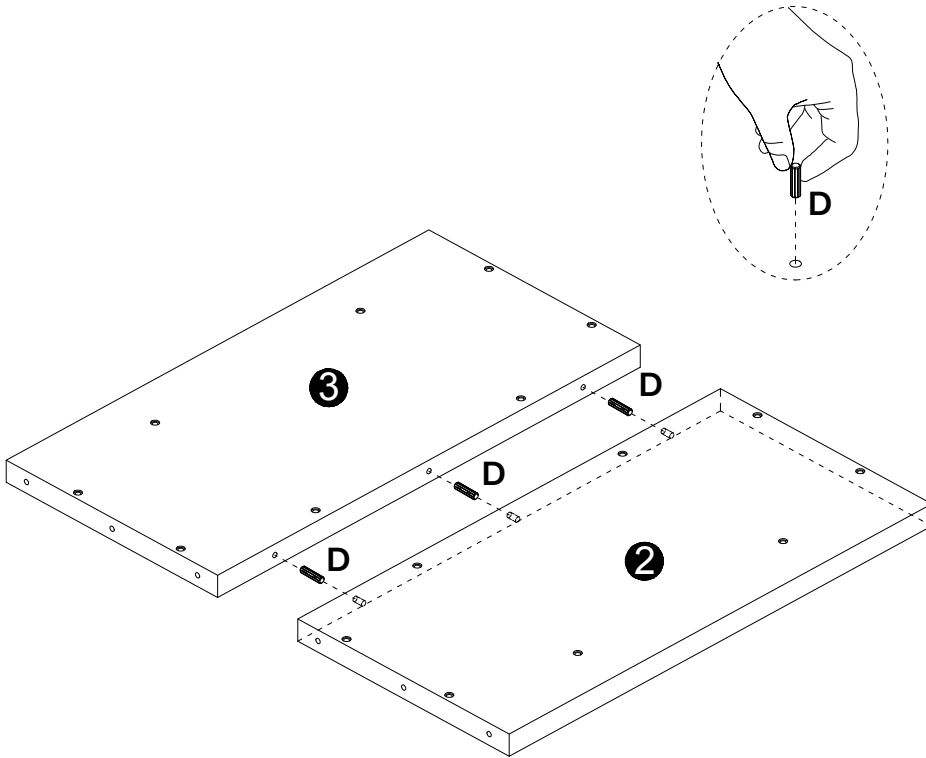
A

M6×40mm
8 pcs

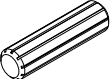
36



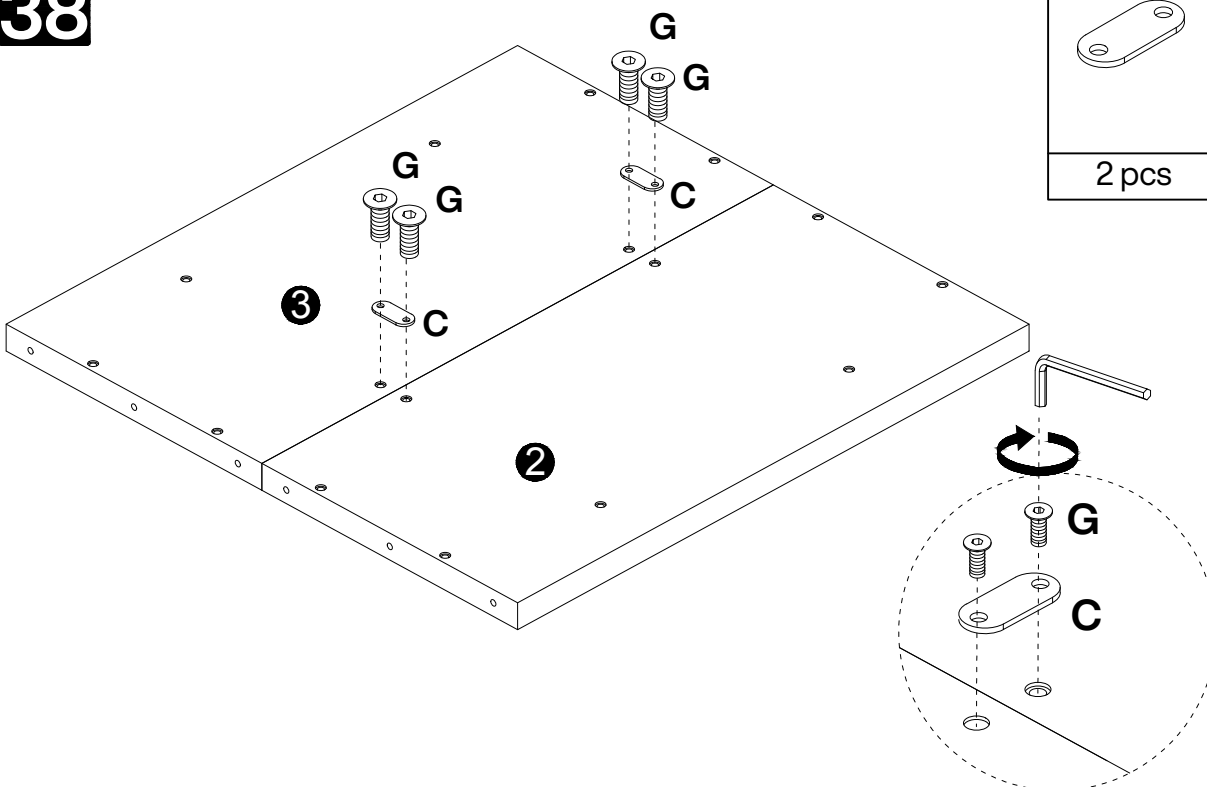
B

Ø15×12mm
8 pcs
D

Ø8×30mm
4 pcs

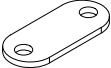
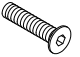

37



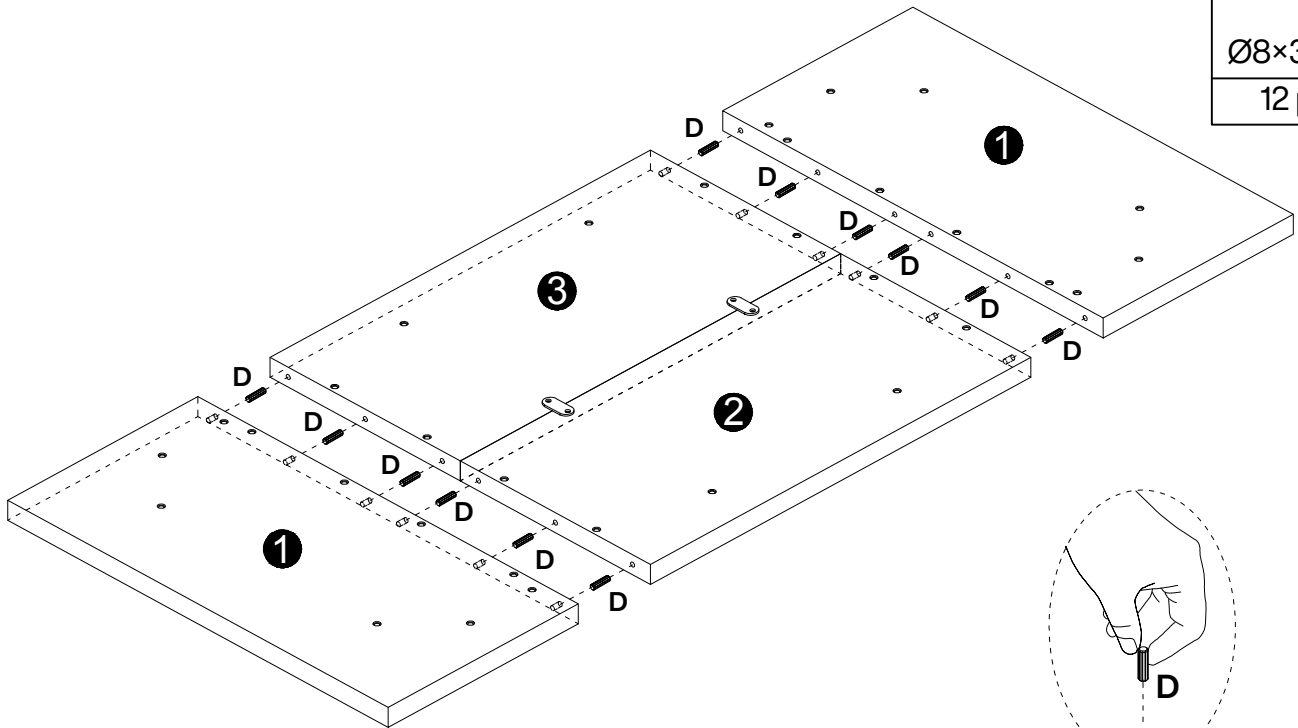
D

Ø8×30mm
3 pcs

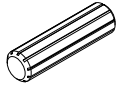
38



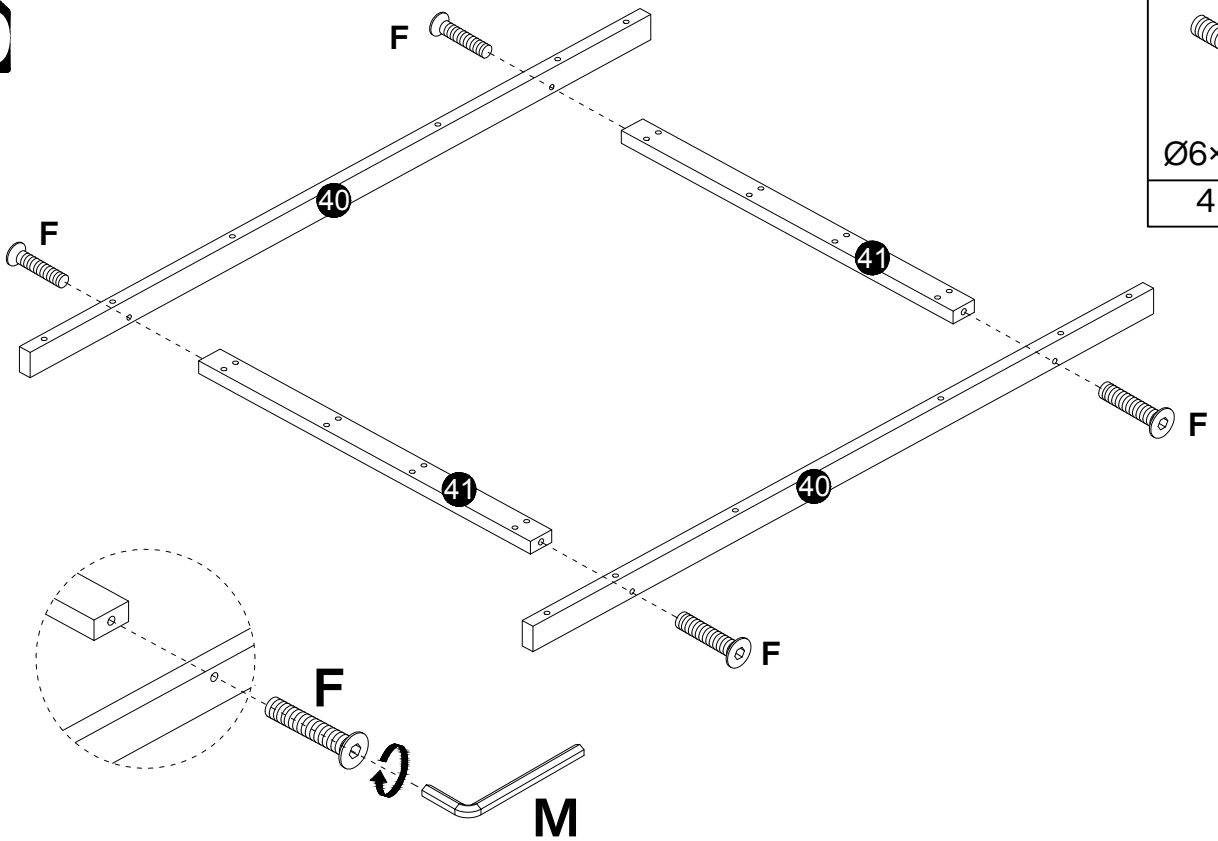
C	G
	
2 pcs	Ø6×16mm 4 pcs
	M
	
	M3 1 pc

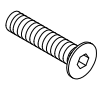
39



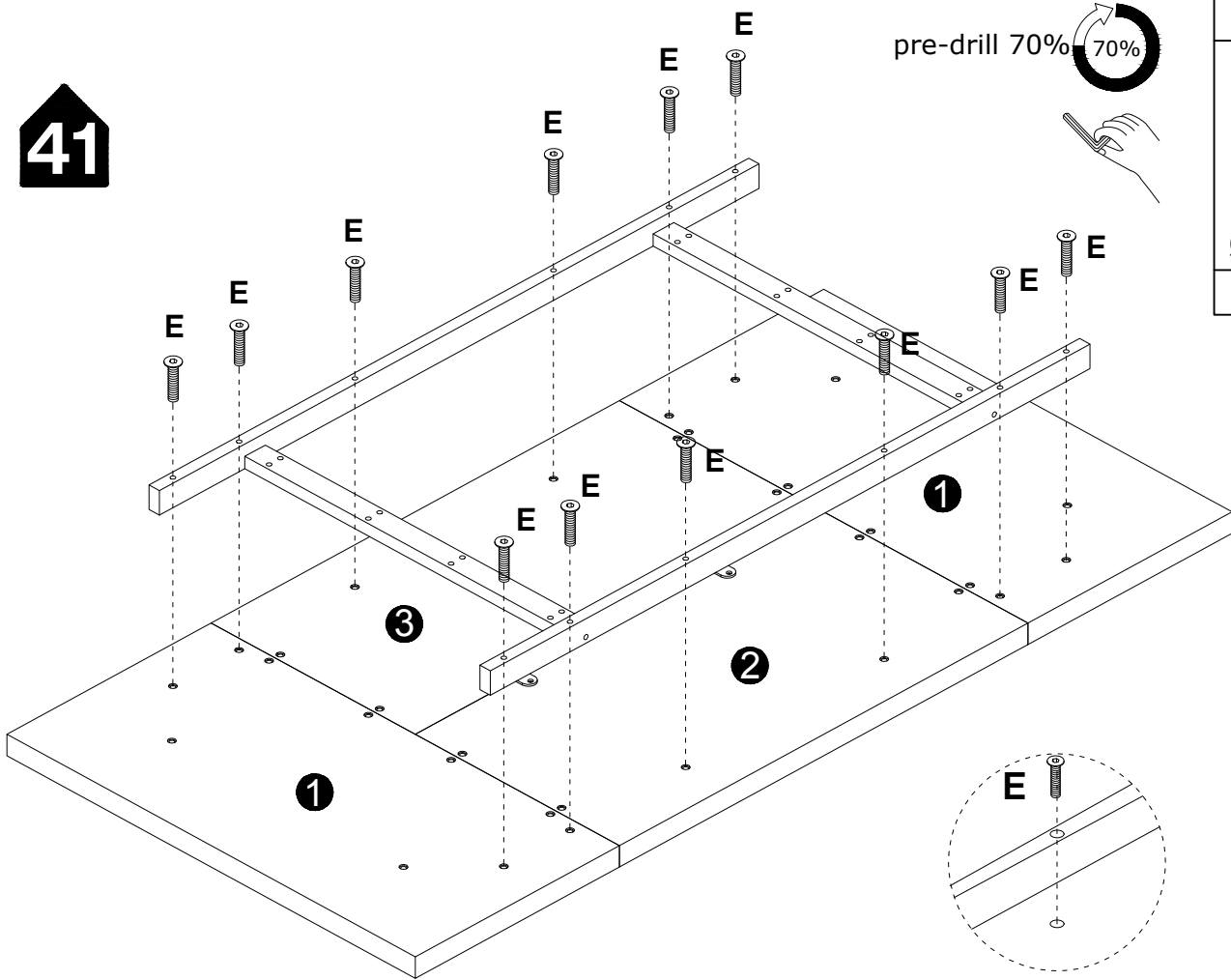
D

Ø8×30mm
12 pcs


40

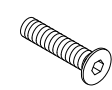


F

Ø6×35mm
4 pcs

41

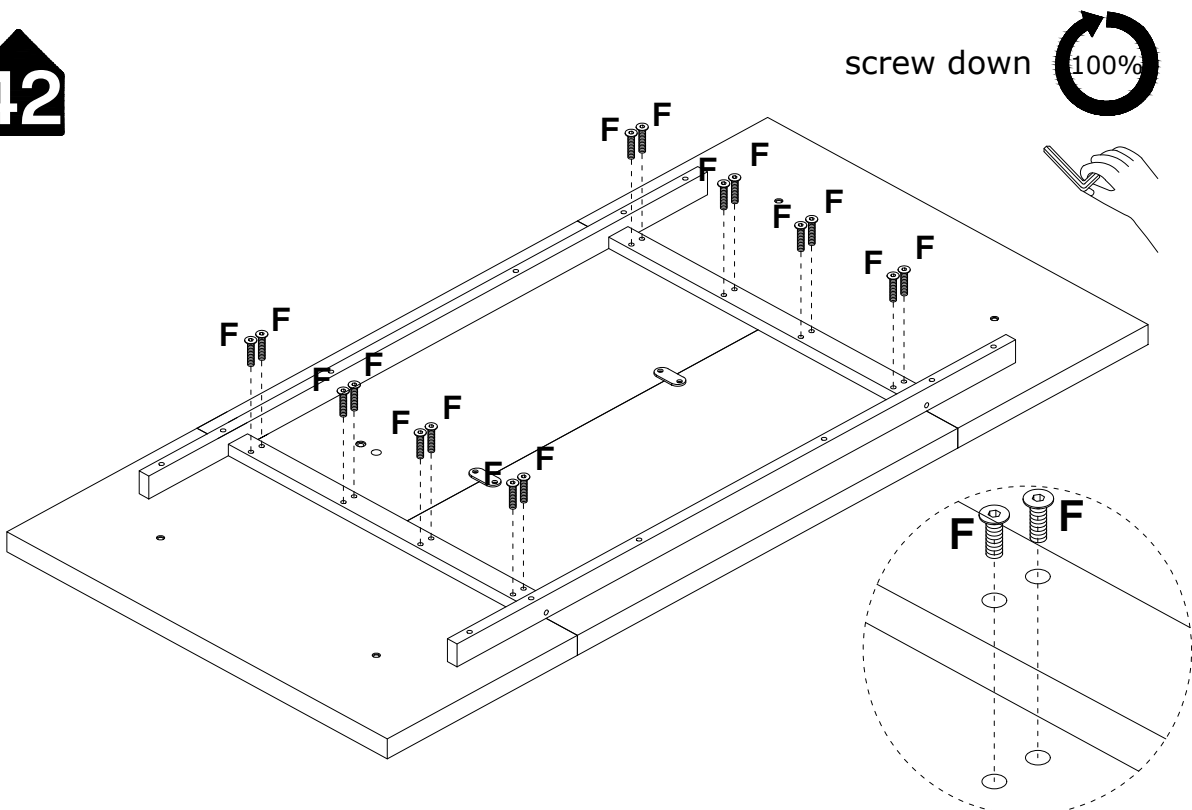



pre-drill 70% 

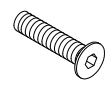
E

Ø6×55mm
12 pcs

 Screw M6×55mm

42

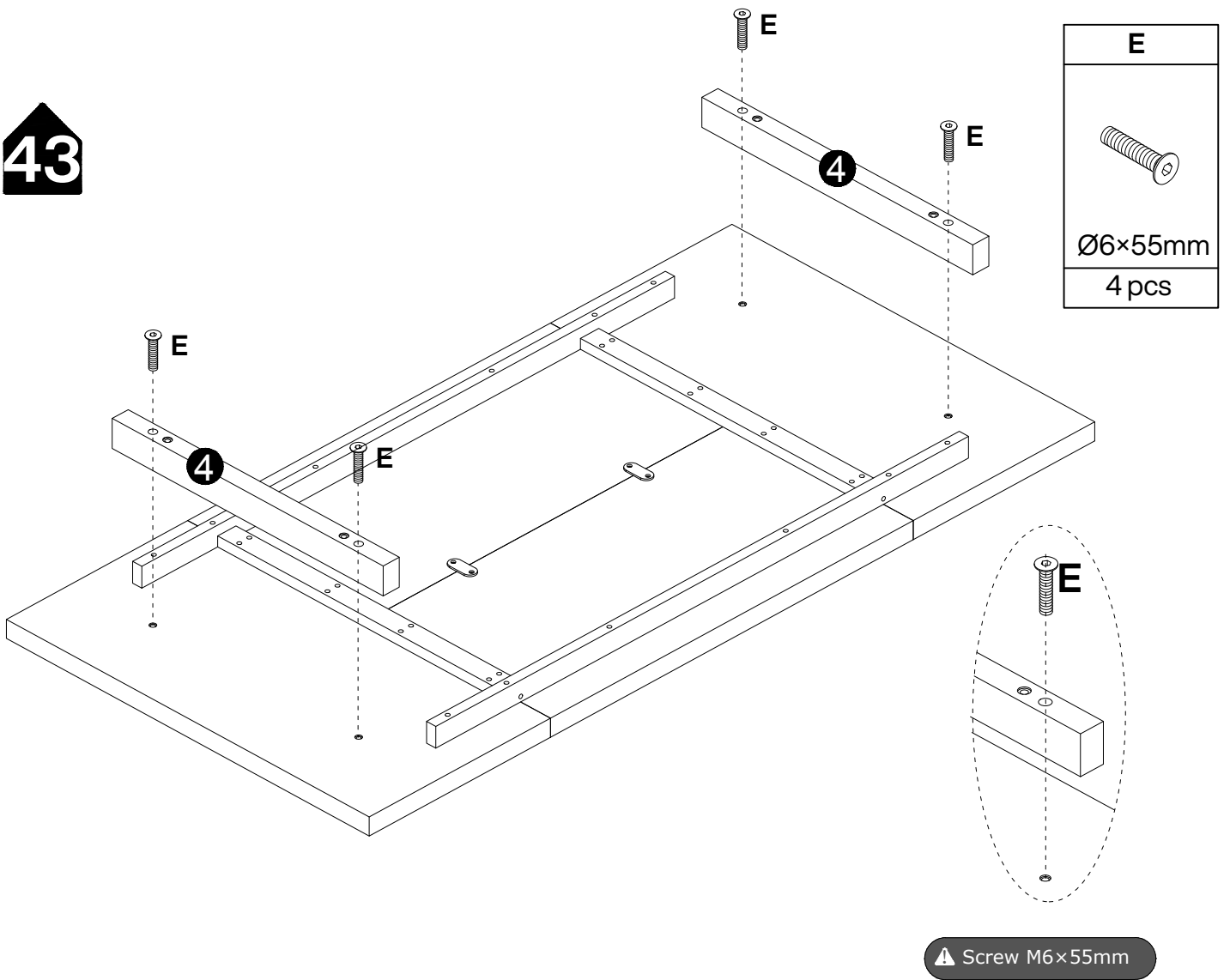


screw down 

F

Ø6×35mm
16 pcs

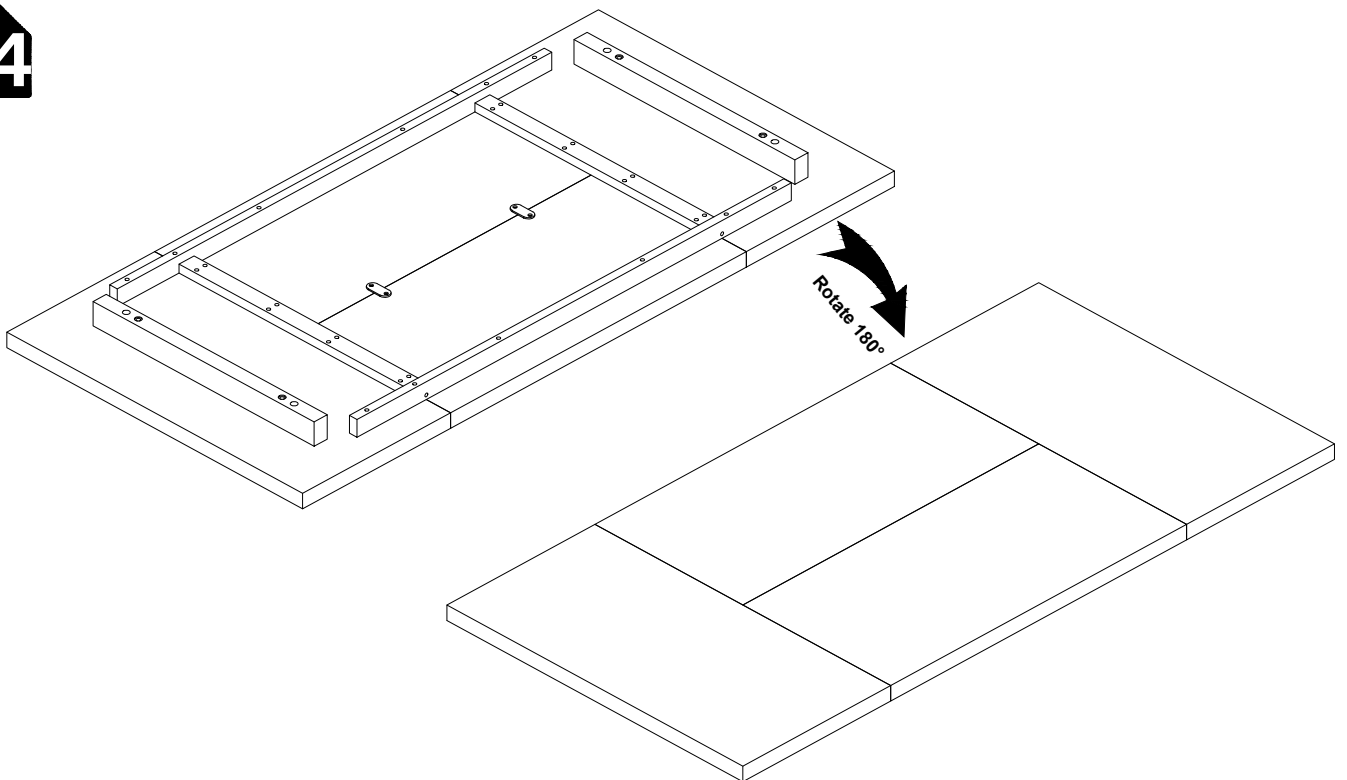
 Screw M6×35mm

43

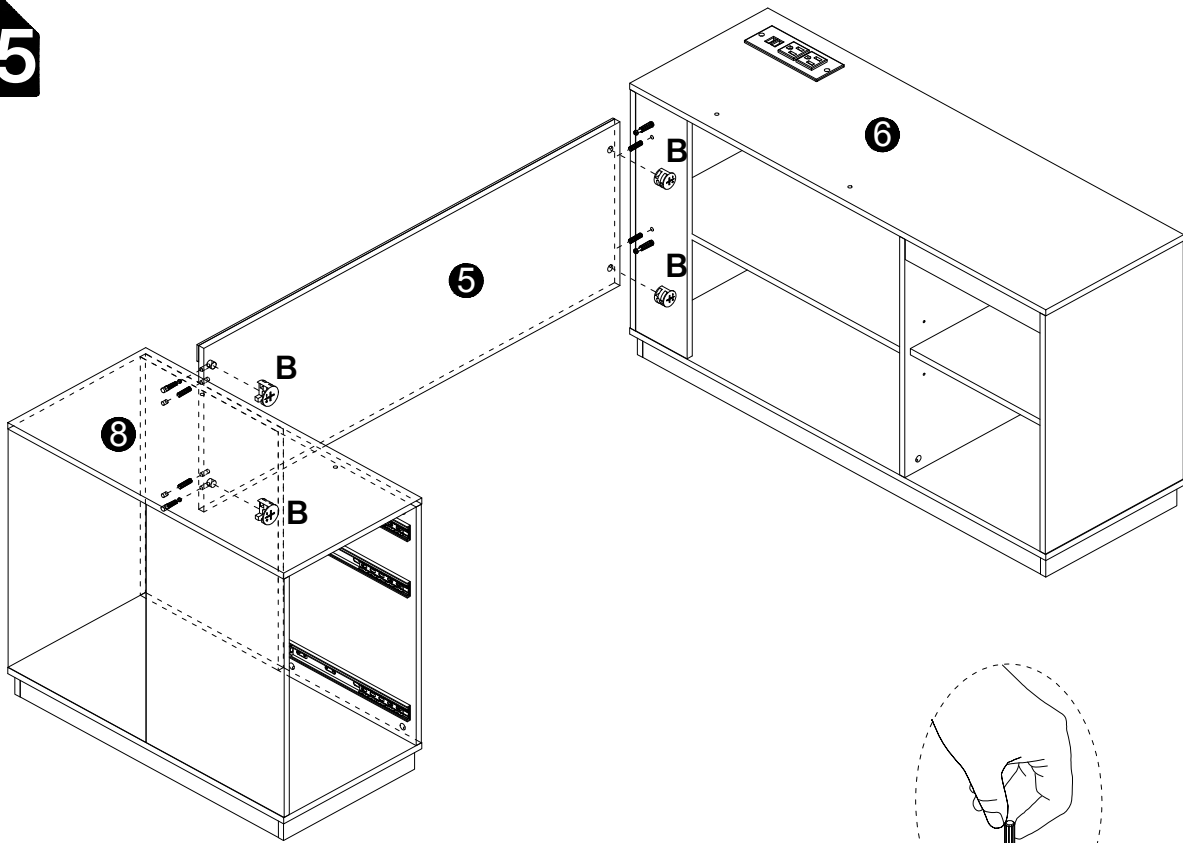


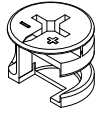
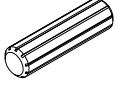
⚠ Screw M6x55mm

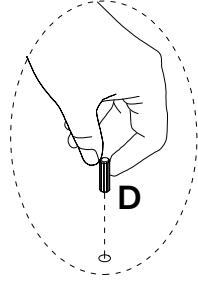
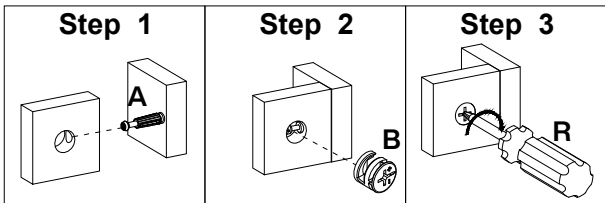
44



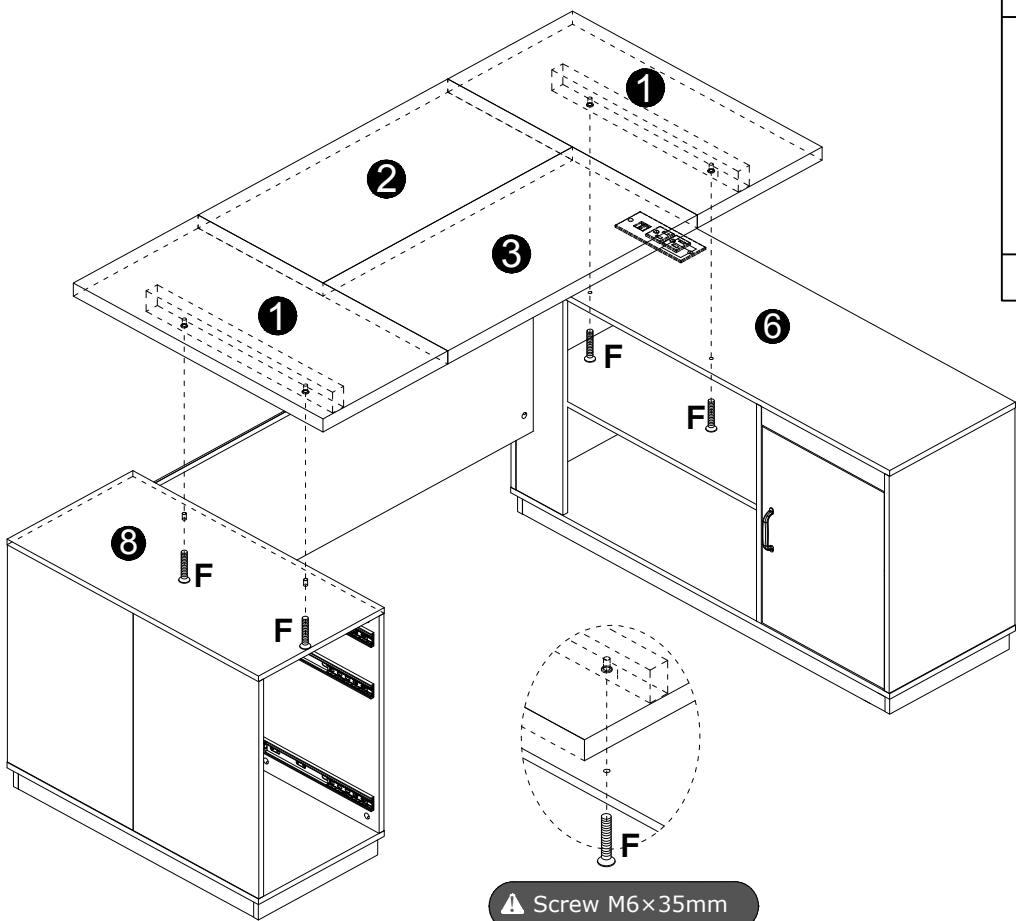
45

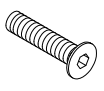


B

Ø15×12mm
4 pcs
D

Ø8×30mm
4 pcs



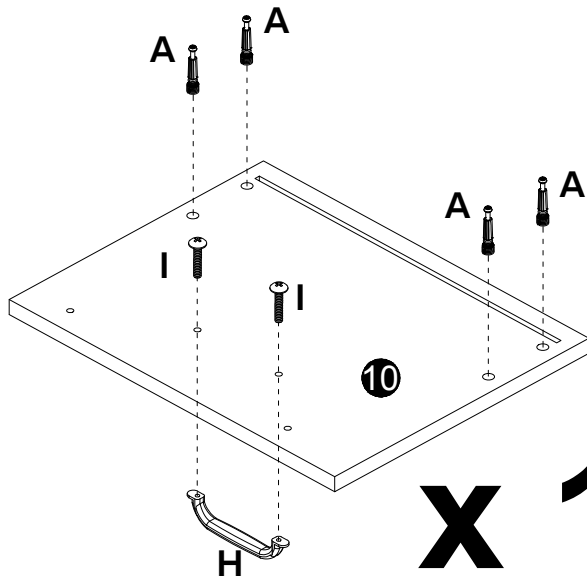
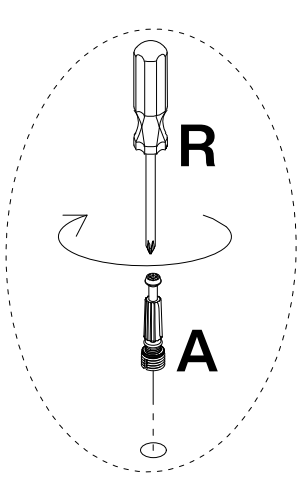
46

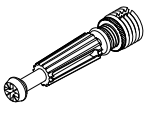

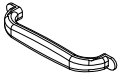


F

Ø6×35mm
4 pcs

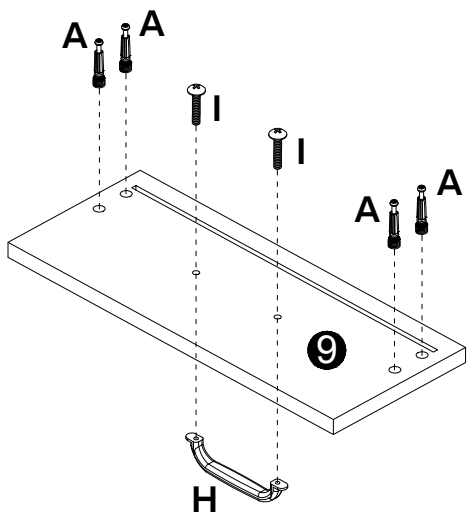
⚠ Screw M6×35mm

47



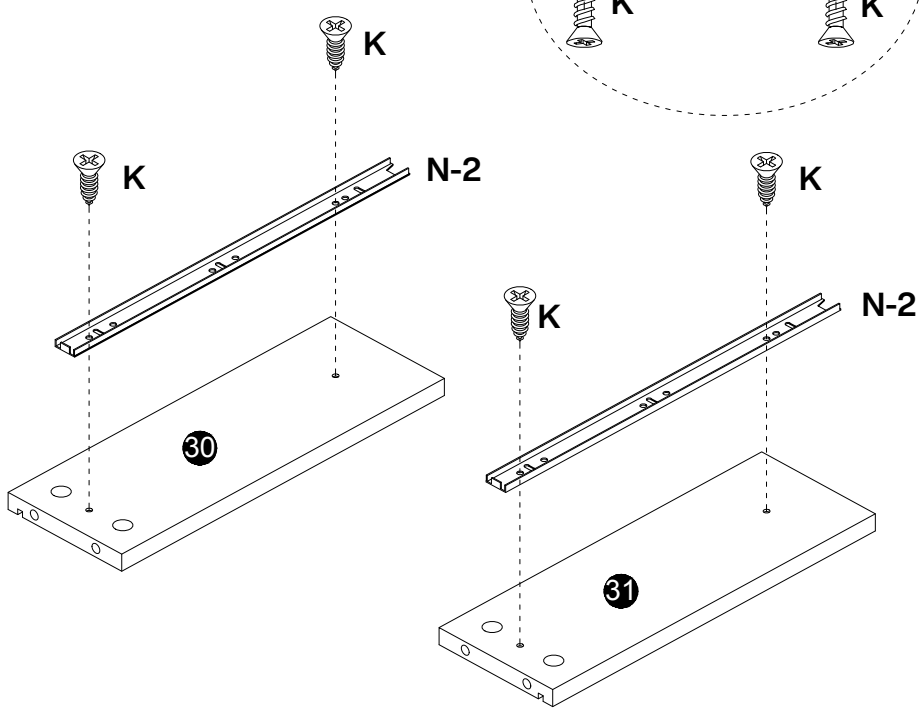
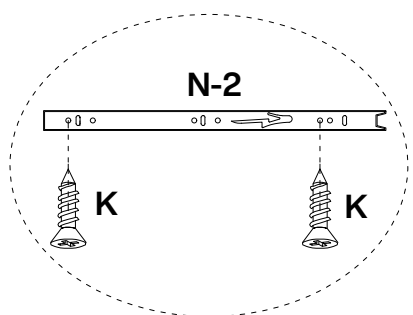
A
 M6×40mm 12 pcs
I
 Ø4×20mm 6 pcs
H
 3 pcs


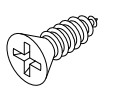
x 1



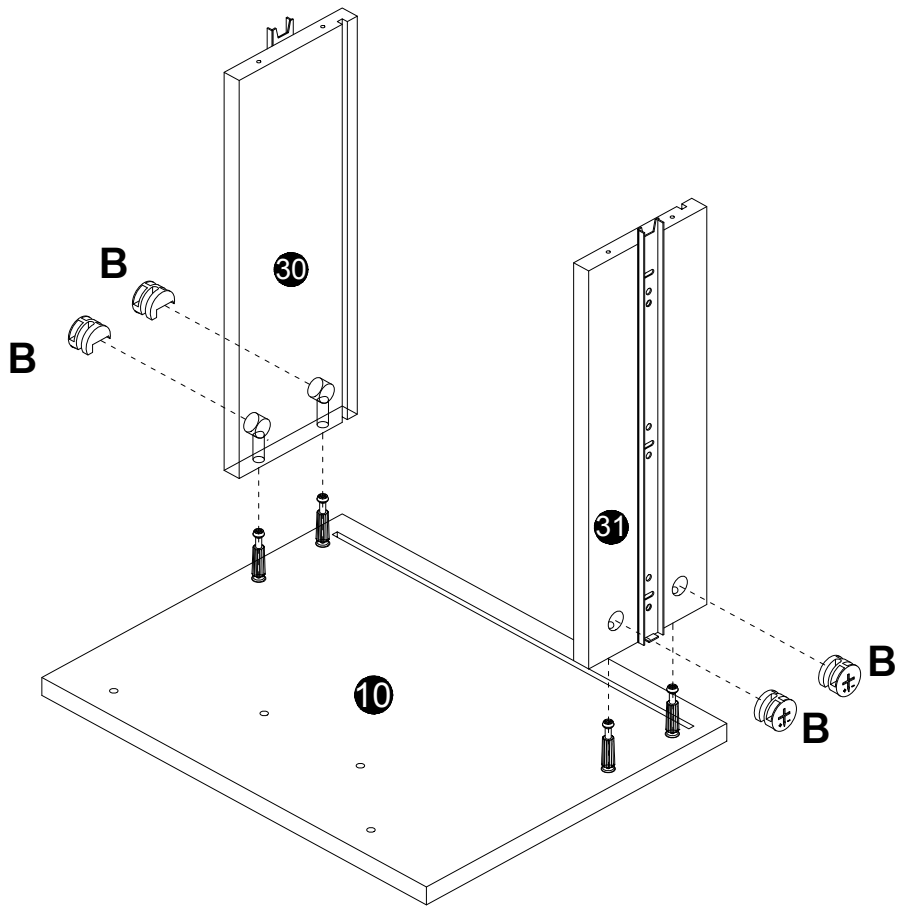
x 2

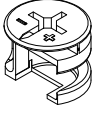
48



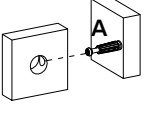
N-2
 L350mm 2 pcs
K
 Ø3.5×14mm 4 pcs

49

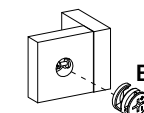


B

Ø15×12mm
4 pcs

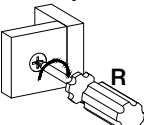
Step 1



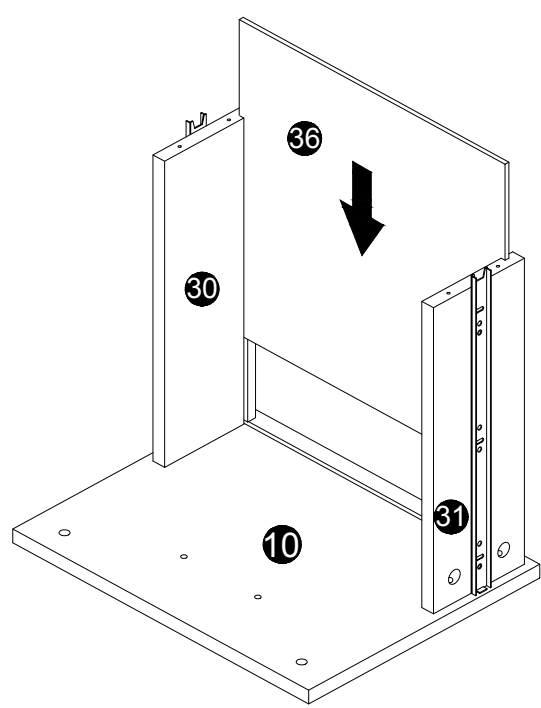
Step 2



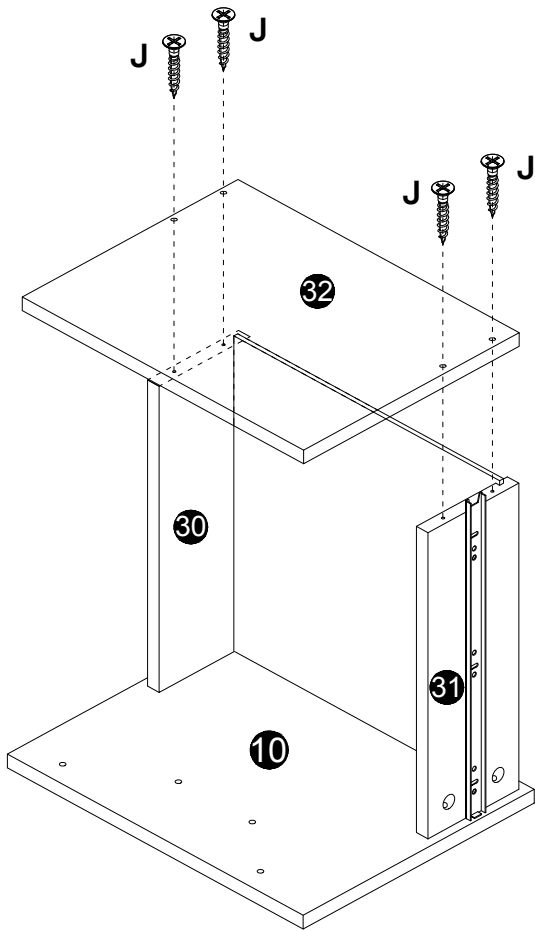
Step 3

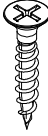


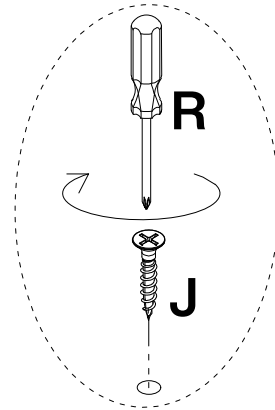
50



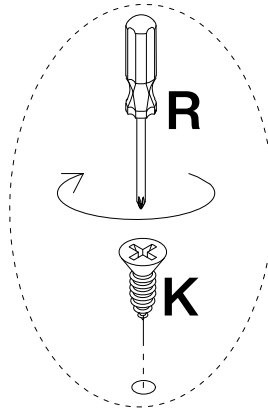
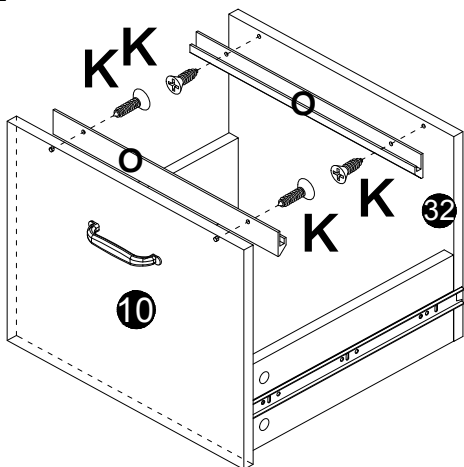
51


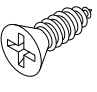



J

Ø3.5×35mm
4 pcs

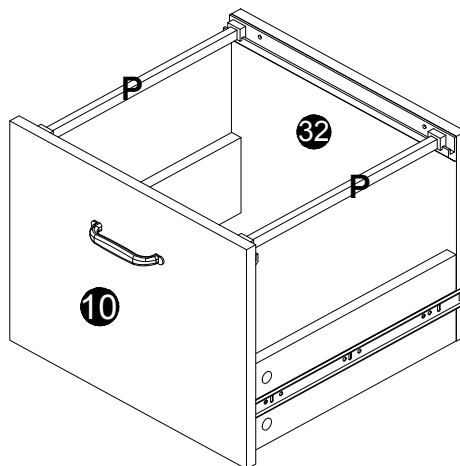


52

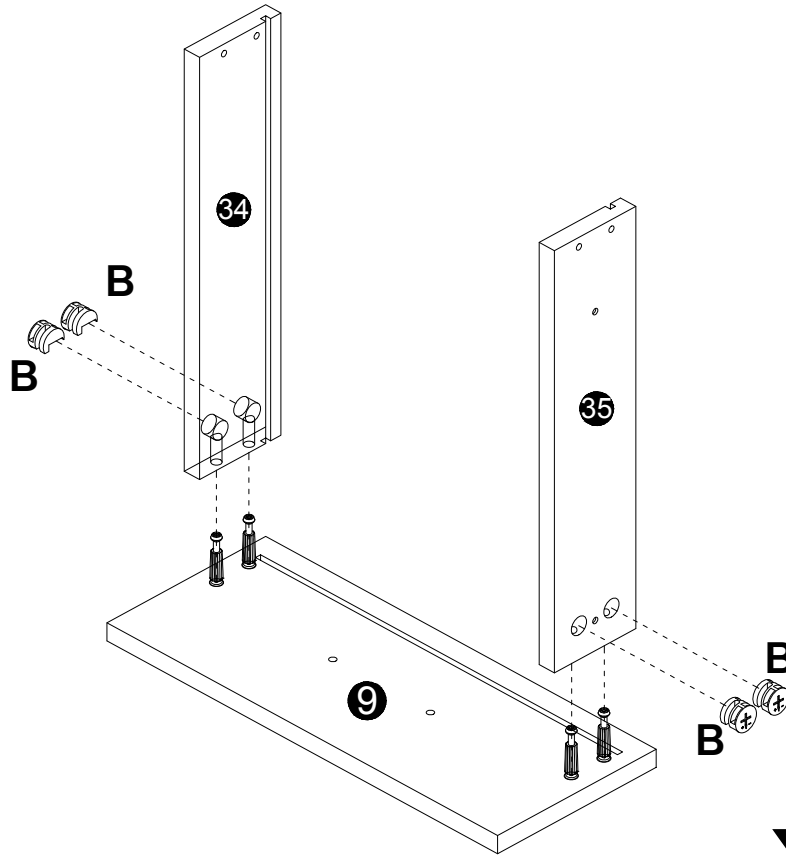


P	K
	
318×25×22mm	Ø3.5×14mm
2 pcs	4 pcs

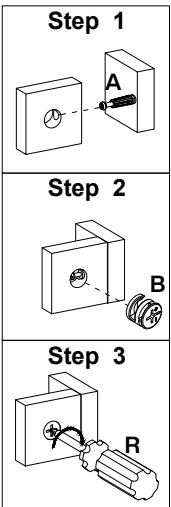
O

365×35×16mm
2 pcs



53

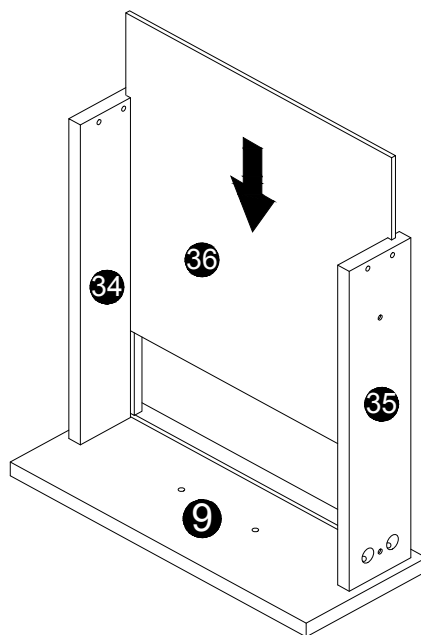


B
Ø15×12mm
8 pcs



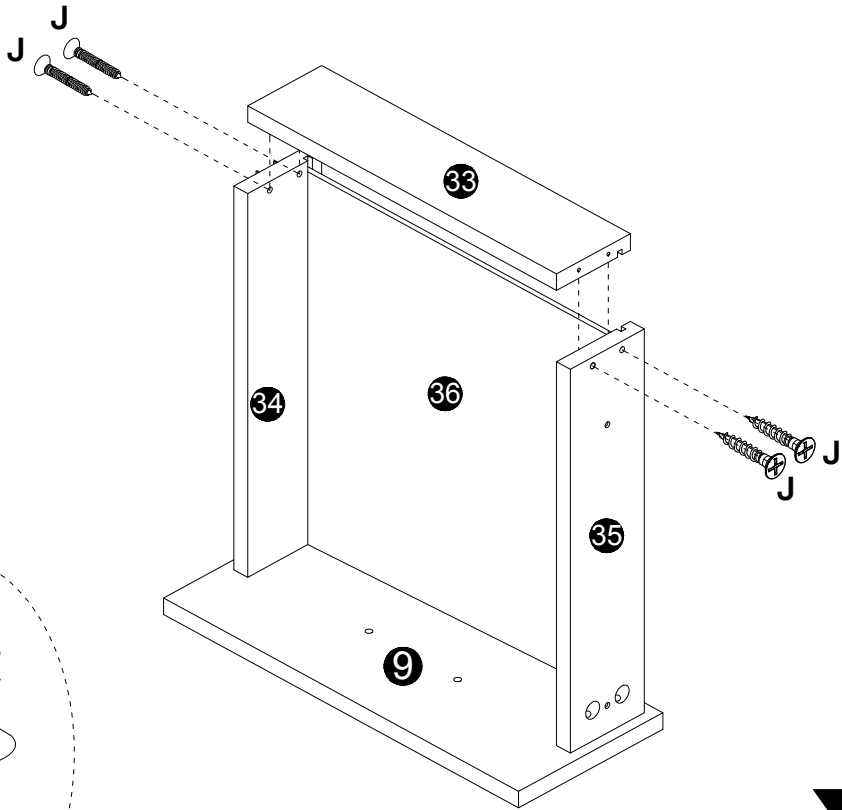
x 2

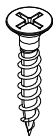
54

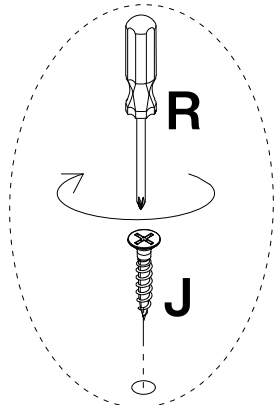


x 2

55

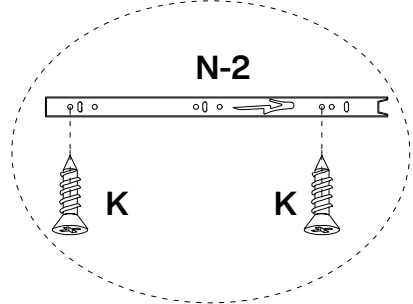
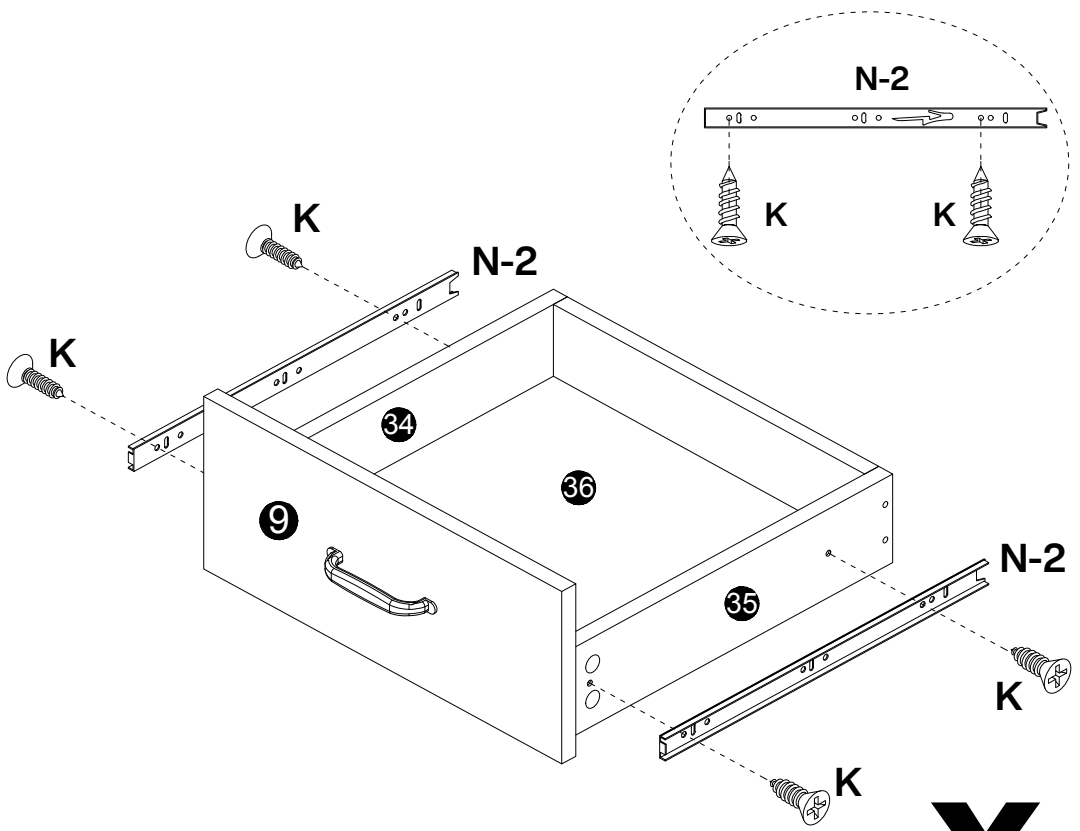


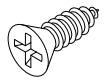

J

Ø3.5×35mm
8 pcs



x 2

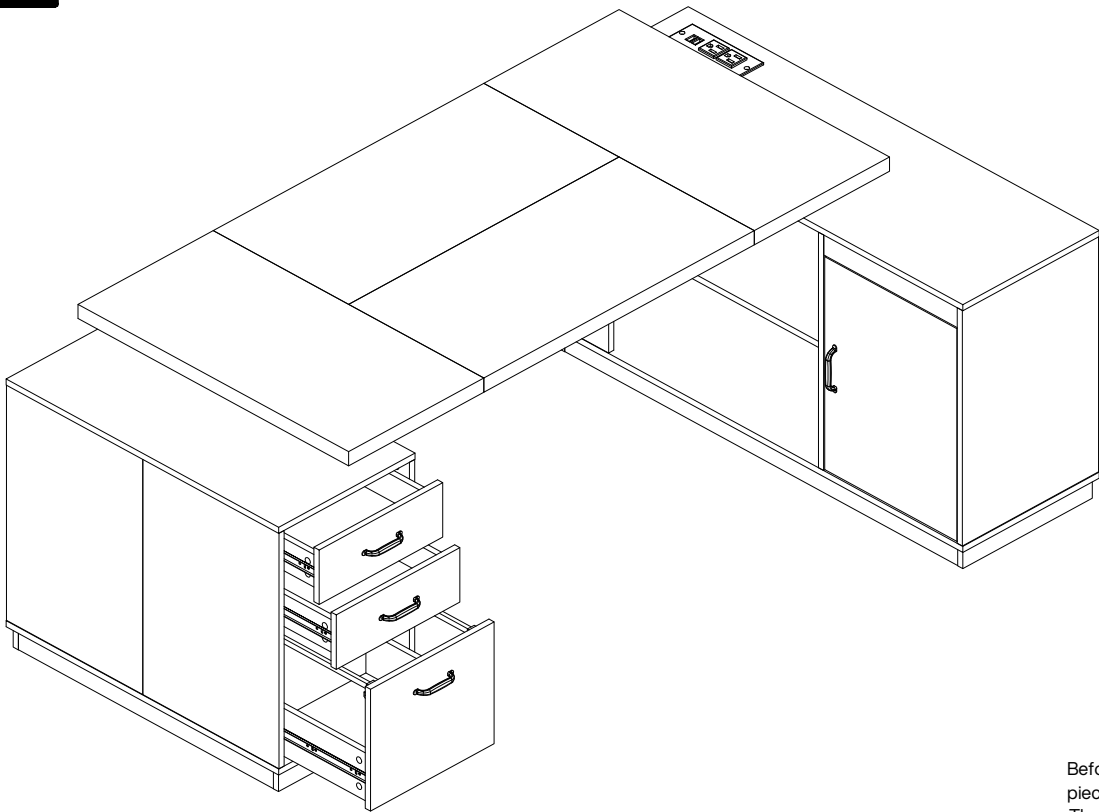
56



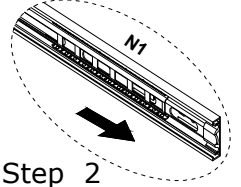
K

Ø3.5×14mm
8 pcs
N-2

L350mm
4 pcs

x 2

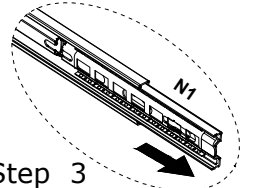
57



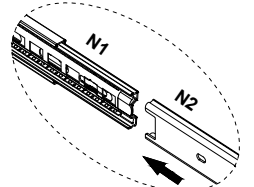
Step 1



Step 2



Step 3



Before installation, slide the inner iron pieces of #N1 to the outermost side. Then align it with #N2 and gently push it inward to complete the slide installation.

58

