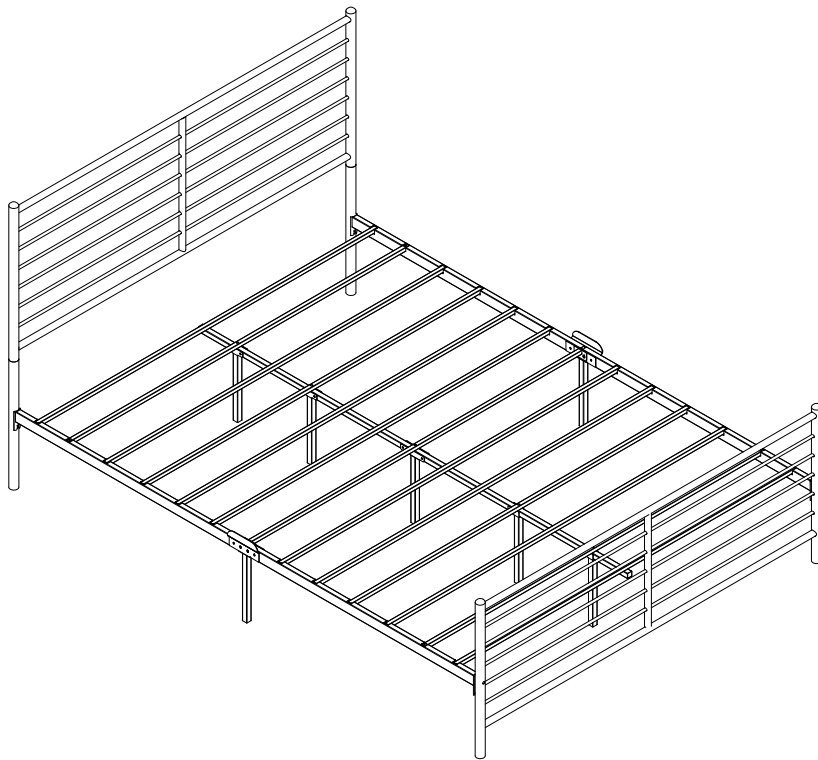


ASSEMBLY INSTRUCTION



NOTES:


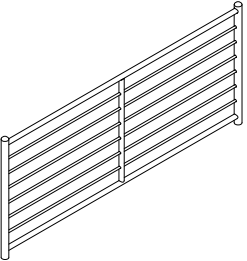
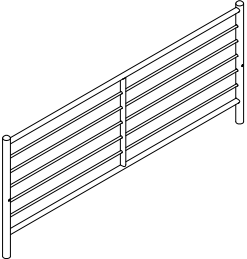
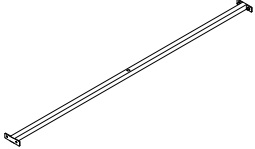
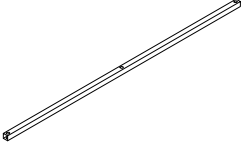
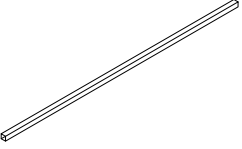
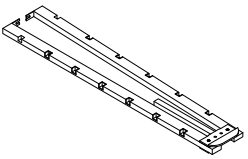
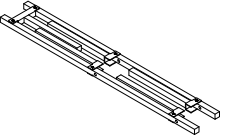
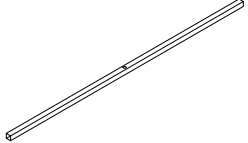
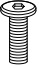

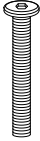
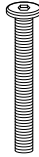
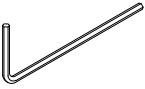



- The item is only intended to be used indoors. The product must be assembled and used in accordance with the provisions of the manual.
- It is recommended that assembly is undertaken by about 2 adults. Please read assembly instructions before assembly and strictly adhere to each step outlined. Estimated assembly time is 30 minutes.

WARNING:

- **WARNING FOR YOUNG CHILDREN** - This product contains small components, please ensure that they are kept away from small children while assembling.

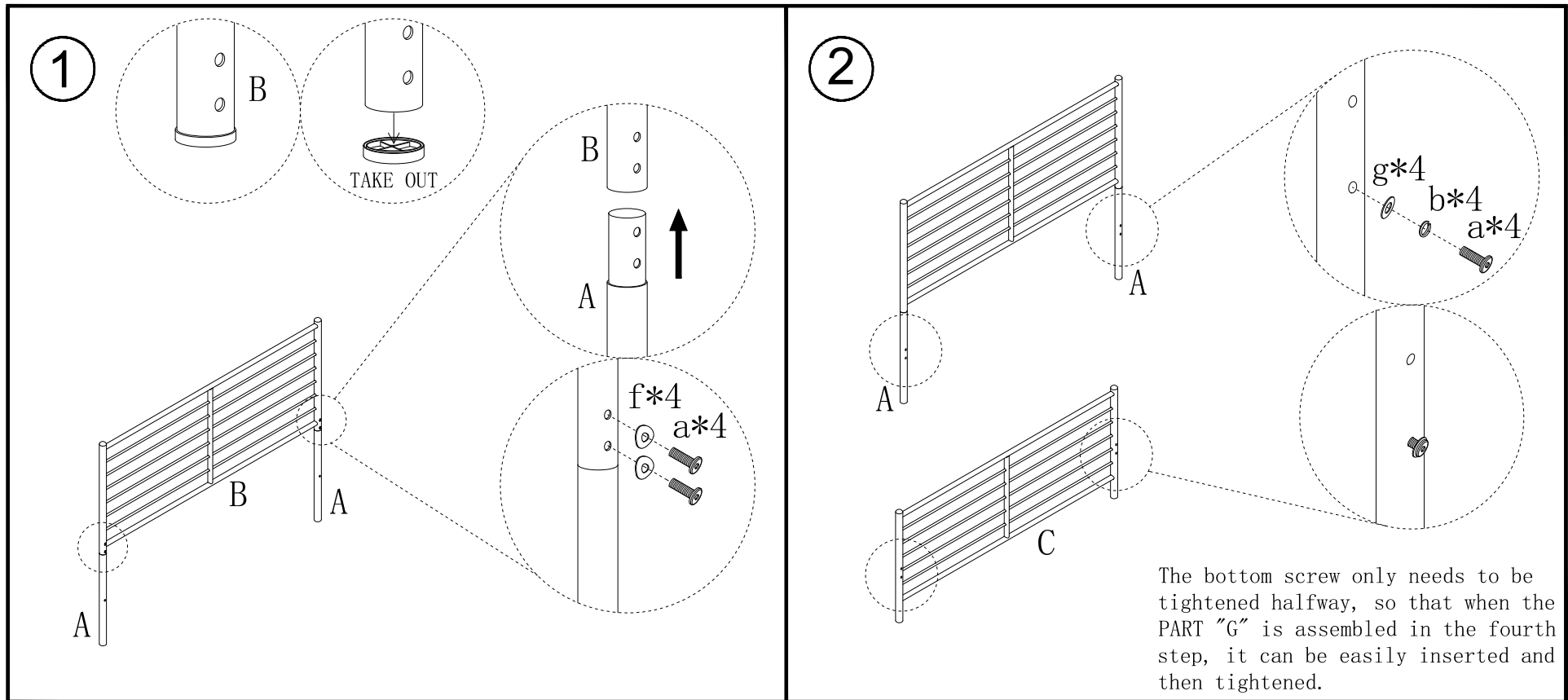
1

PARTS LIST

A	B	C	D			E		F		
 2pcs	 1pc	 1pc	 1pc			 2pcs		 8pcs		
G	H	I	a	b	c	d	e	f	g	Spare parts
 2pcs	 1pc	 2pcs	 M6*15 8pcs	 13pcs	 M6*40 8pcs	 M6*60 9pcs	 M4 1pc	 M6 8pcs	 M6 13pcs	 4pcs

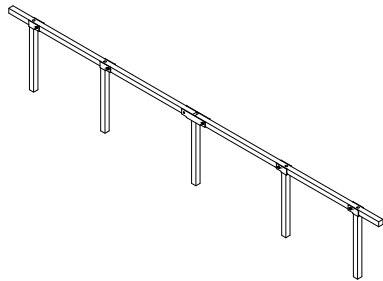
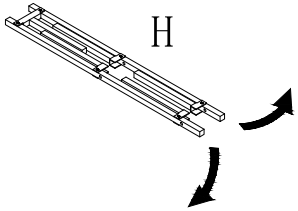
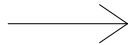
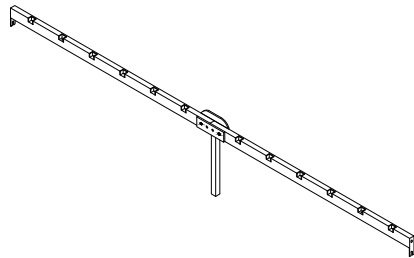
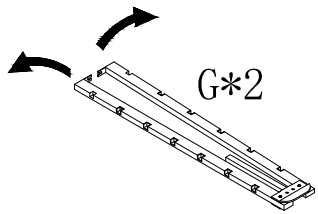
2

NOTE: PLEASE DO NOT TIGHTEN THE BOLTS UNTIL ALL FIXED

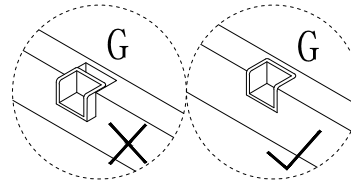


3

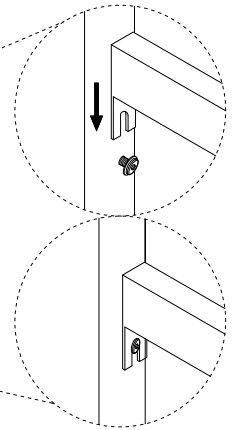
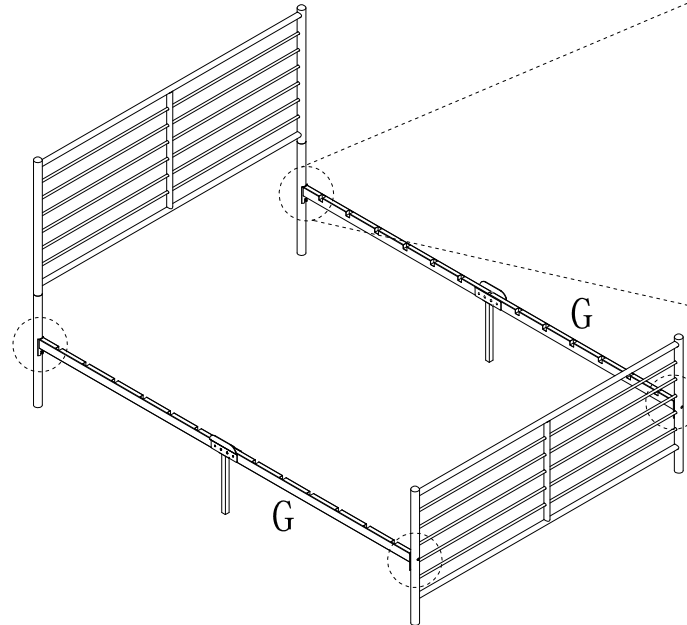
3



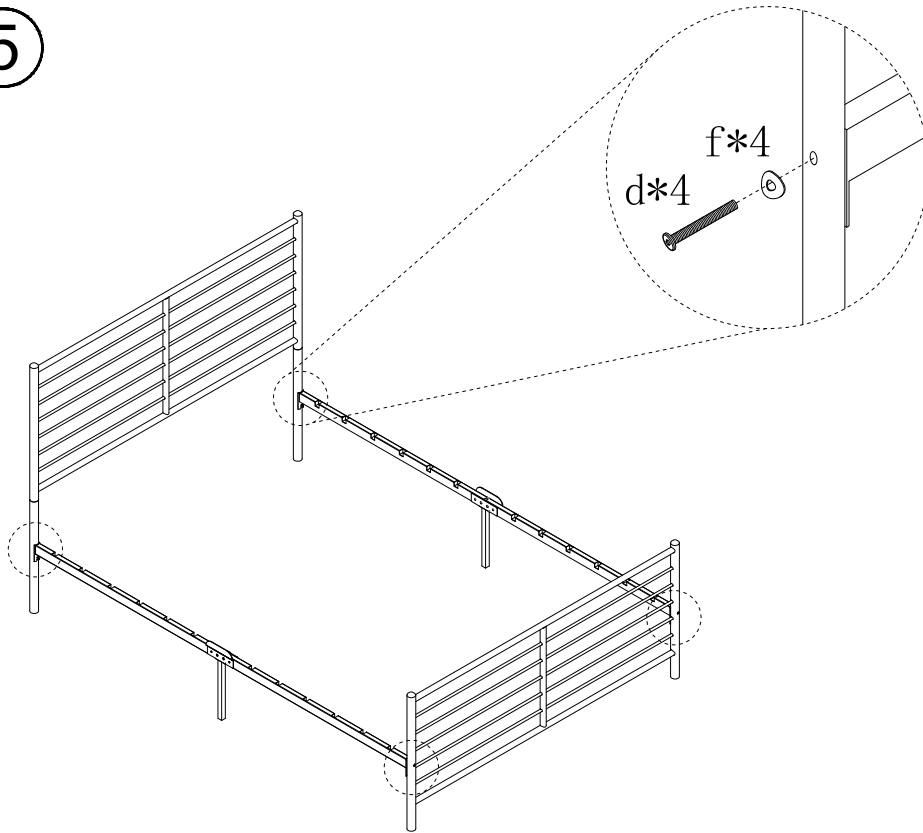
4



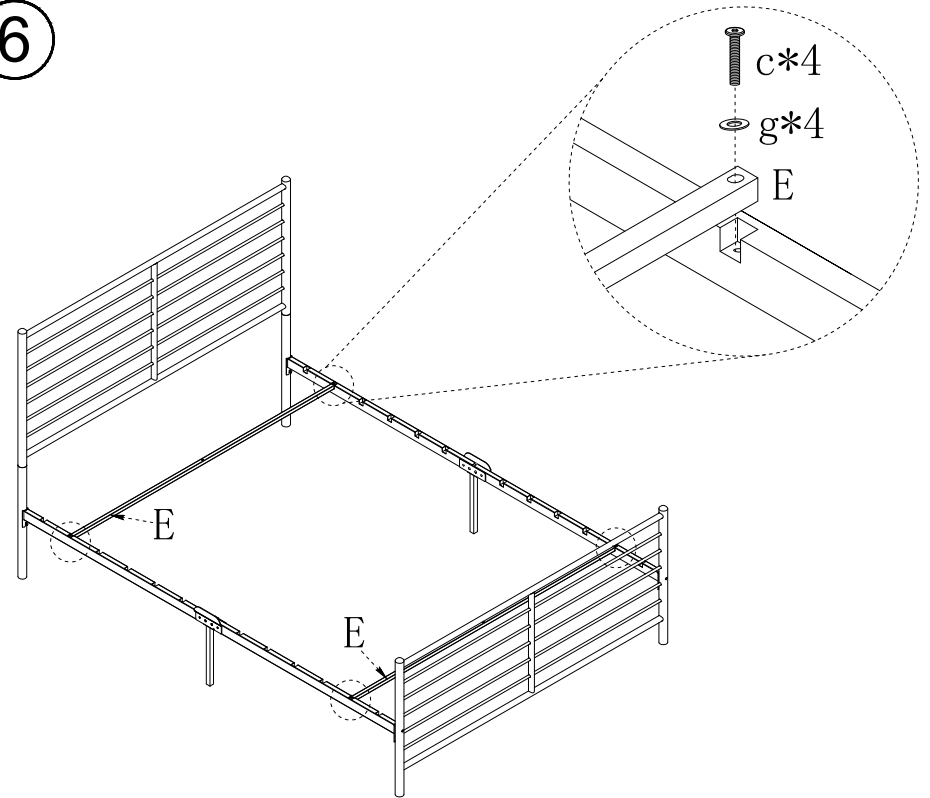
Before assembling the mattress tube, please check whether the plastic clip is fastened on the bed beam, as shown in the picture, please fasten it by hand.



5

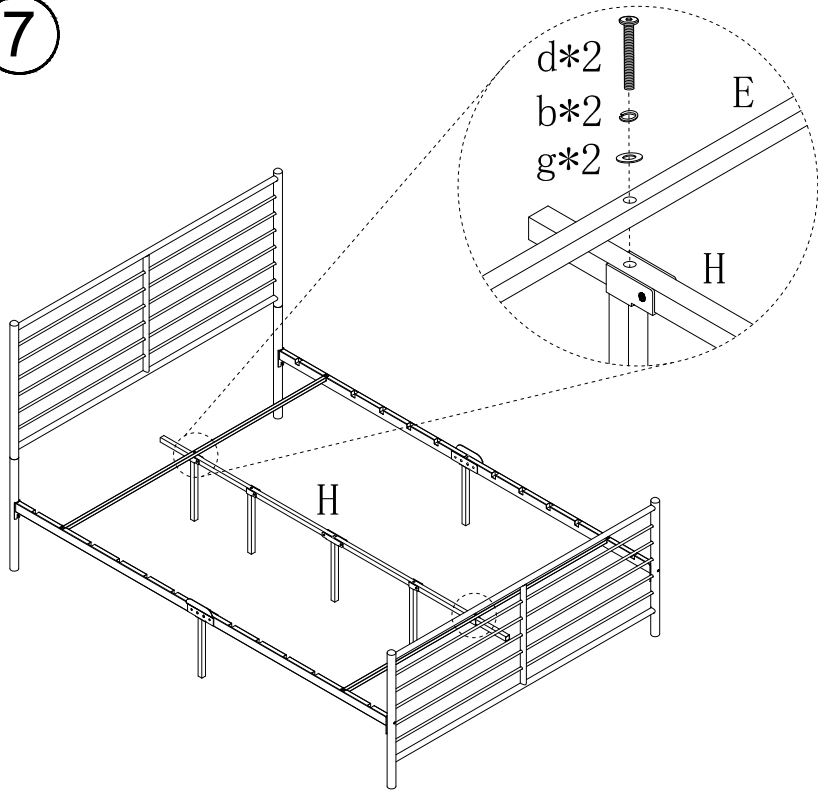


6

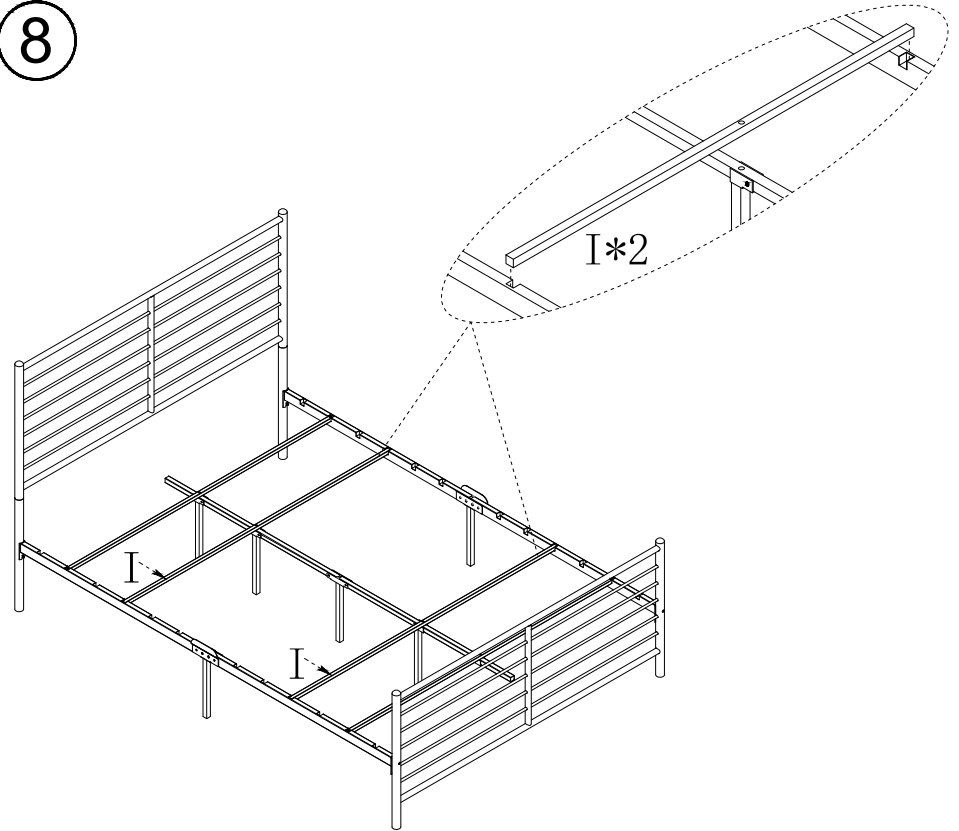


5

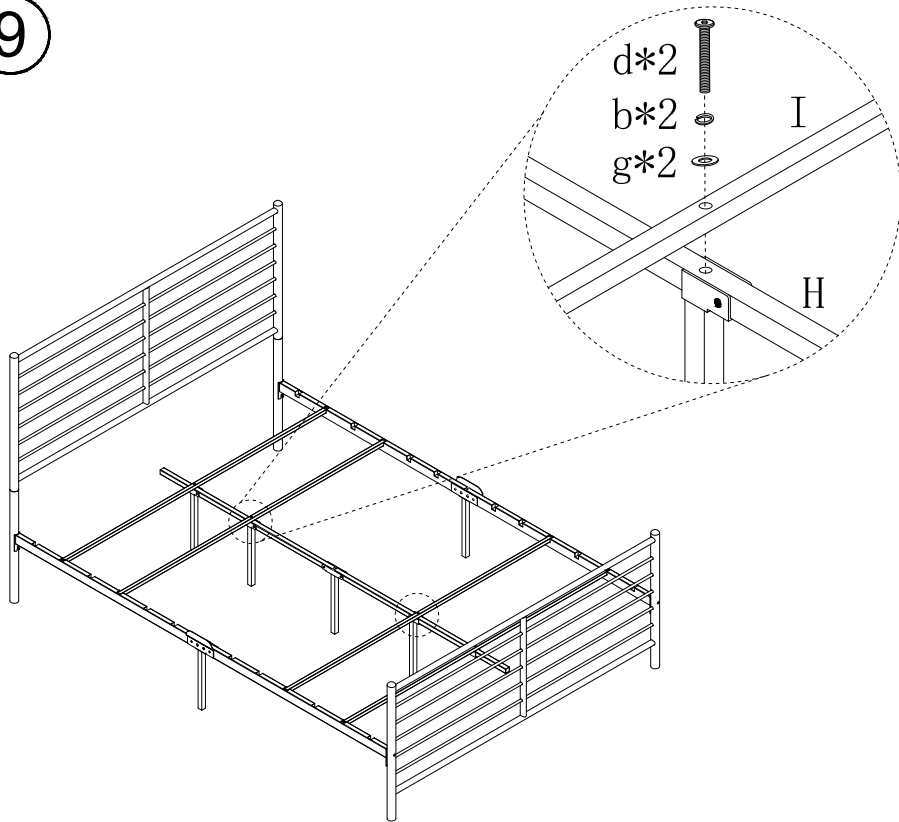
7



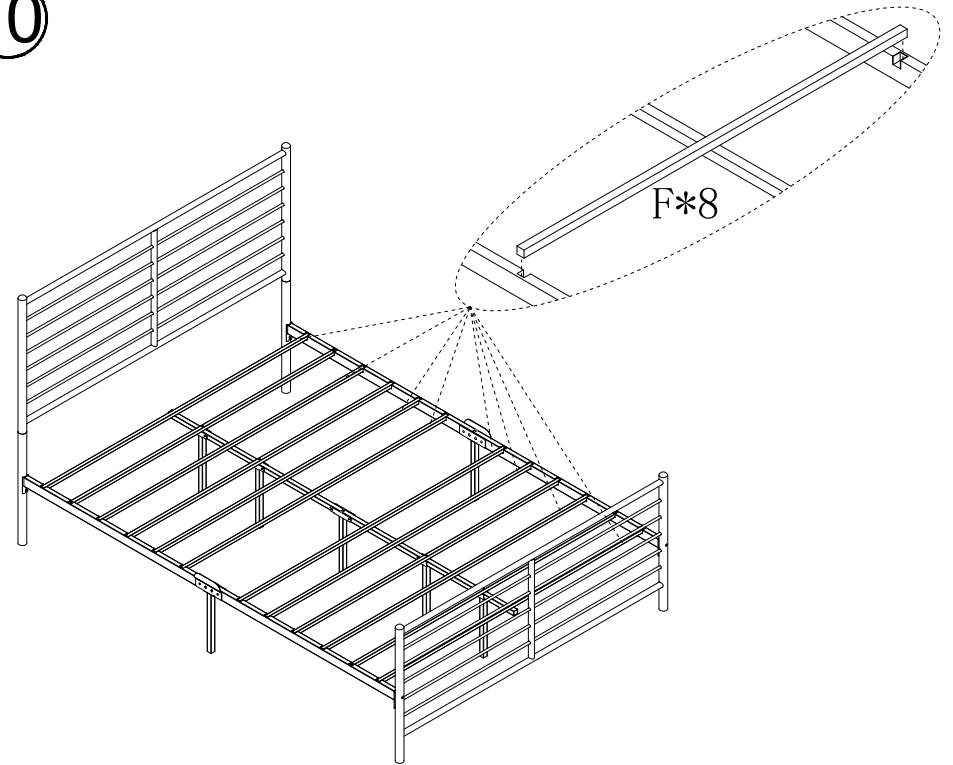
8



9



10



7

11

