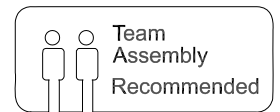
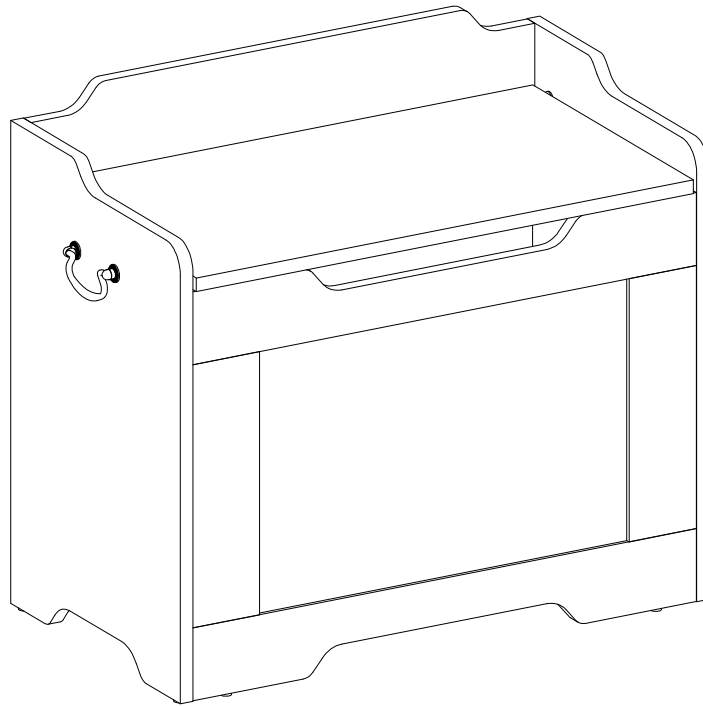


Assembly Instruction



Trouble shooting:

Missing / Wrong / Broken parts and installation issues



Send email with your question pic, order NO. and screenshot of order details to:

support@idealhouse.vip



Respond within 24 hours



Issue resolved

Tips!



1. Check all the components & screws are intact before assembling .
 2. If you notice any pieces are missing or damaged please do not assemble and contact us immediately .
 3. **Please send an email with you order number and issues, we will respond within 24 hours.**
- Customer Service Team: support@idealhouse.vip**

IMPORTANT SAFETY INFORMATION

- Please carefully read the following instructions and caution warnings before assembling the product.
- Following this guide will ensure that you install, use and maintain the product properly.
- Please keep this installation and user manual/instructions for future reference in case you need to disassemble the product.
- Never allow children to climb onto the product. Ensure that you have special safety measures when children are around on their own.
- Be sure to check that all parts of the product are intact after you open the package.
- Do not assemble if you notice serious damage such as cracks or bends.
- During installation, please use work gloves for hand safety.
- Please assemble the unit on carpeted floor or the flat cardboard box to avoid scratching the surface or your floor while assembling on the floor.
- To assemble, please use the complimentary installation tools (Phillips screwdriver). Pay more attention to the direction of components at each steps.
- It is recommended that two people work together to assemble the product.

RETURN POLICY

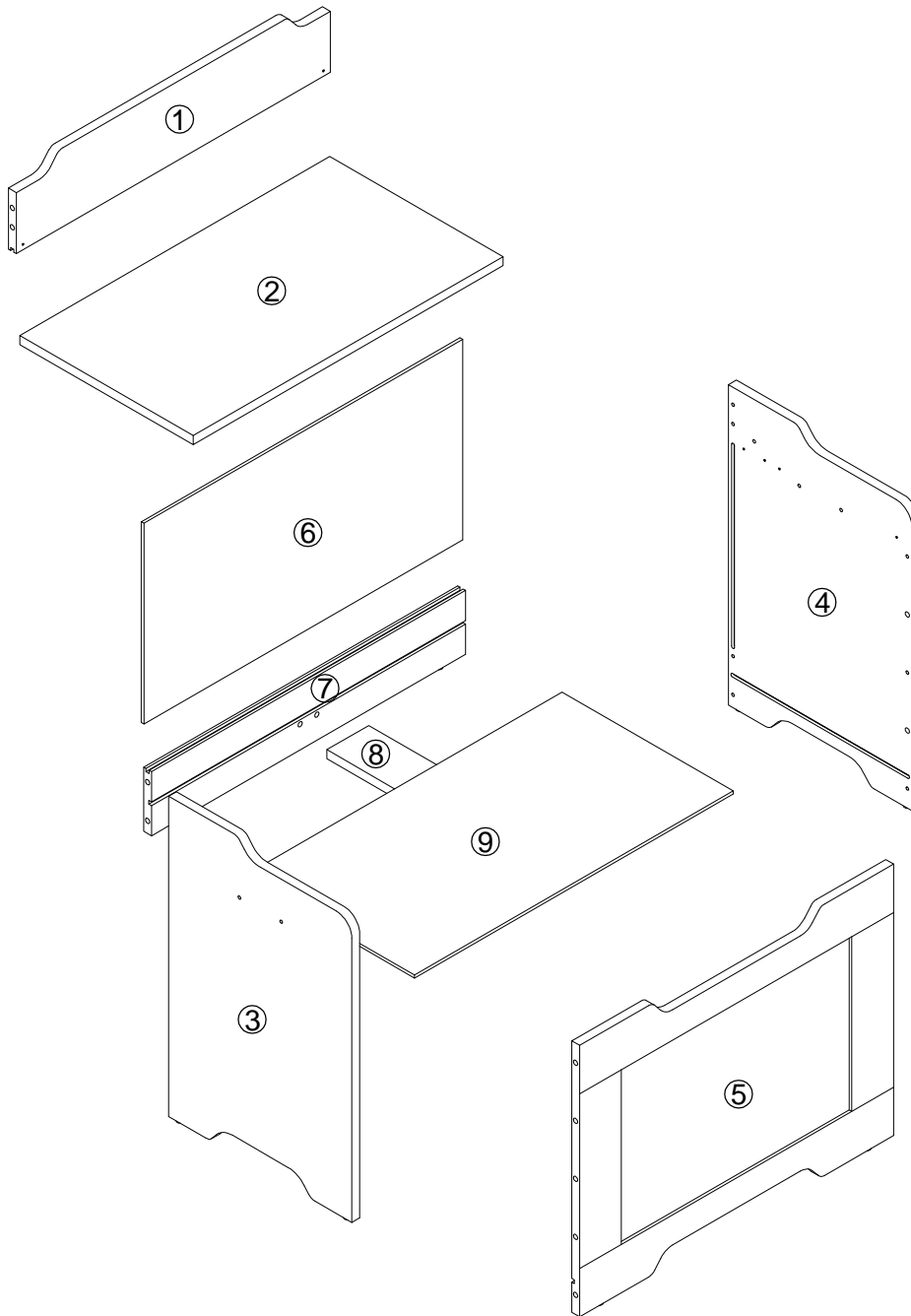
- Please contact us directly within 30 days after receiving.
- Ensure the product is in a good condition with the original box and all original certificates of purchase, manuals, and accessories attached.

HOW TO MAINTAIN YOUR PRODUCT

- Check the screws of the product are not loose from regular use.
- Do not use sharp instruments, rubbing alcohol, corrosive chemicals, or abrasive cleaners to clean the item.

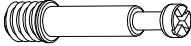
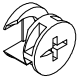
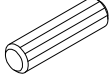

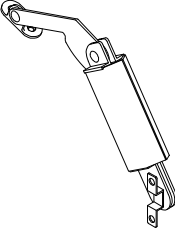

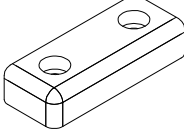
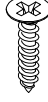
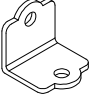
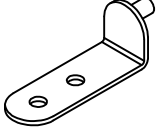
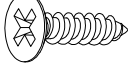

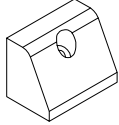

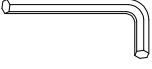
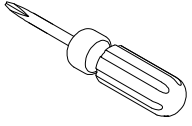
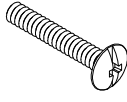
COMPONENT PARTS

Please check that you have all the parts listed below



1	Upper bar	X1		6	back panel	X1
2	Top panel	X1		7	Bottom bar	X1
3	Left Side panel	X1		8	rail	X1
4	Right Side panel	X1		9	Bottom panel	X1
5	Front panel	X1		10		

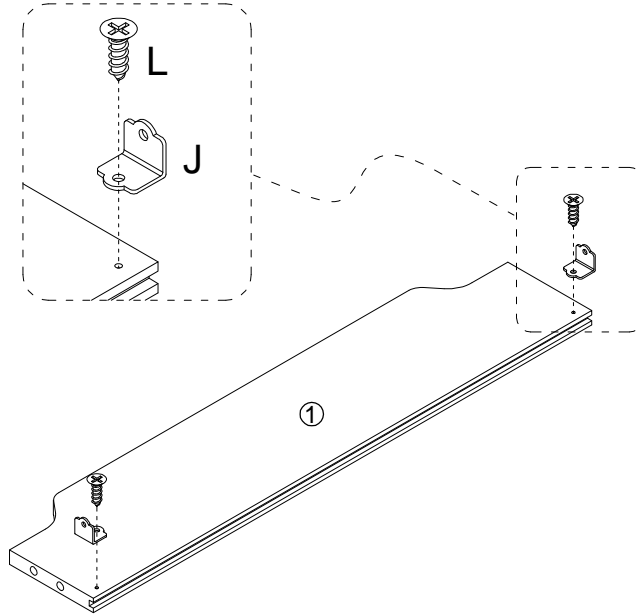
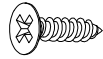
Please check that you have all the parts listed below

<p>Ⓐ x 16+2pcs</p> 	<p>Ⓑ x 16+2pcs</p> 	<p>Ⓒ x 4+1pcs</p>  <p>Ø7.8*30mm</p>	<p>Ⓓ x 2+1pcs</p>  <p>Ø7*38mm</p>
<p>Ⓔ x 1pc</p> 	<p>Ⓕ x 4+1pcs</p>  <p>Ø8*Ø4*14mm</p>	<p>Ⓖ x 2pcs</p> 	<p>Ⓗ x 4+1pcs</p>  <p>Ø7*Ø3.5*20mm</p>
<p>Ⓙ x 4pcs</p> 	<p>Ⓚ x 2+1pcs</p> 	<p>Ⓛ x 12+2pcs</p>  <p>Ø7*Ø3.5*12mm</p>	<p>Ⓜ x 2pcs</p> 
<p>Ⓝ x 10+1pcs</p> 	<p>Ⓞ x 10+1pcs</p>  <p>Ø3*16mm</p>	<p>Ⓟ x 1pc</p> 	<p>Ⓠ x 1pc</p> 
<p>Ⓝ x 4pcs</p>  <p>M4*20mm</p>			

1

ⓐ x 2pcs

Ⓛ x 2pcs



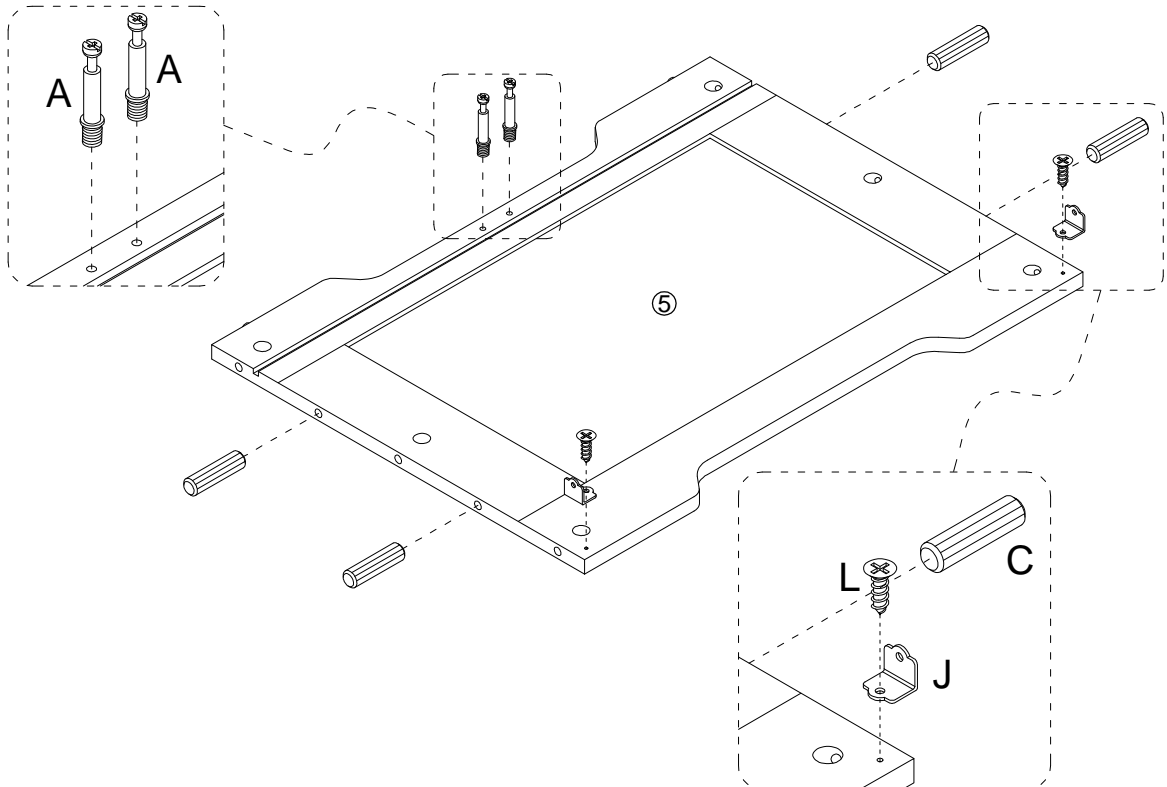
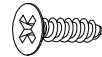
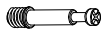
2

ⓐ x 2pcs

ⓒ x 4pcs

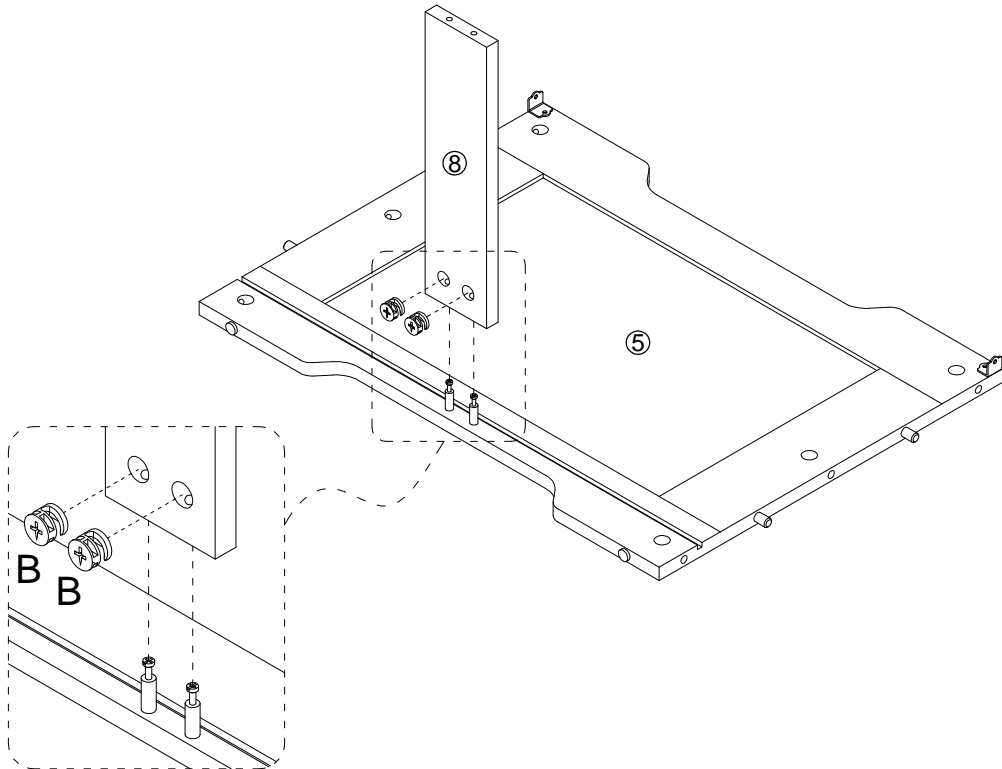
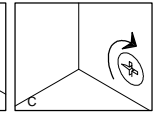
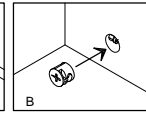
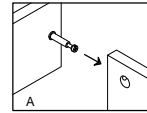
ⓐ x 2pcs

Ⓛ x 2pcs



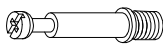
3

(B) x 2pcs

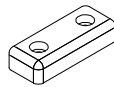


4

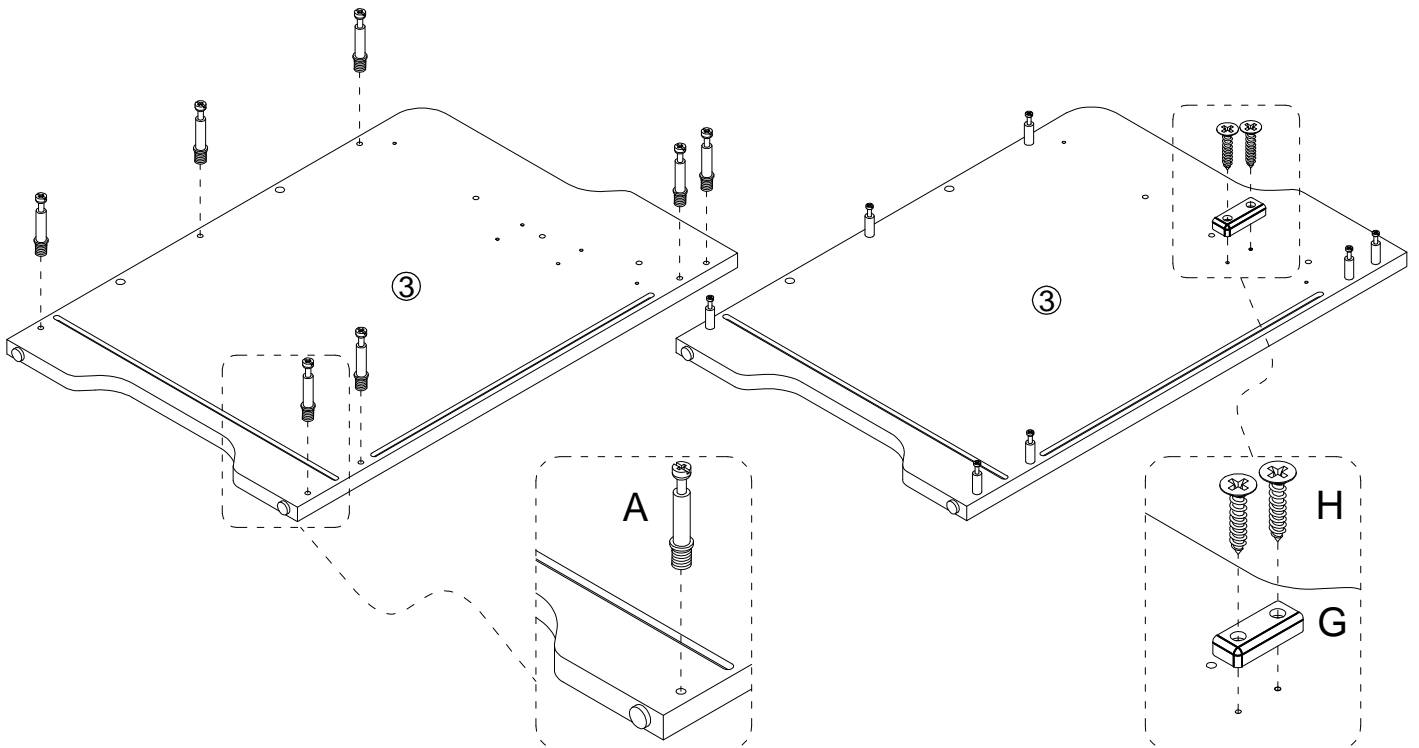
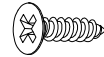
(A) x 7pcs



(G) x 1pc



(H) x 2pcs

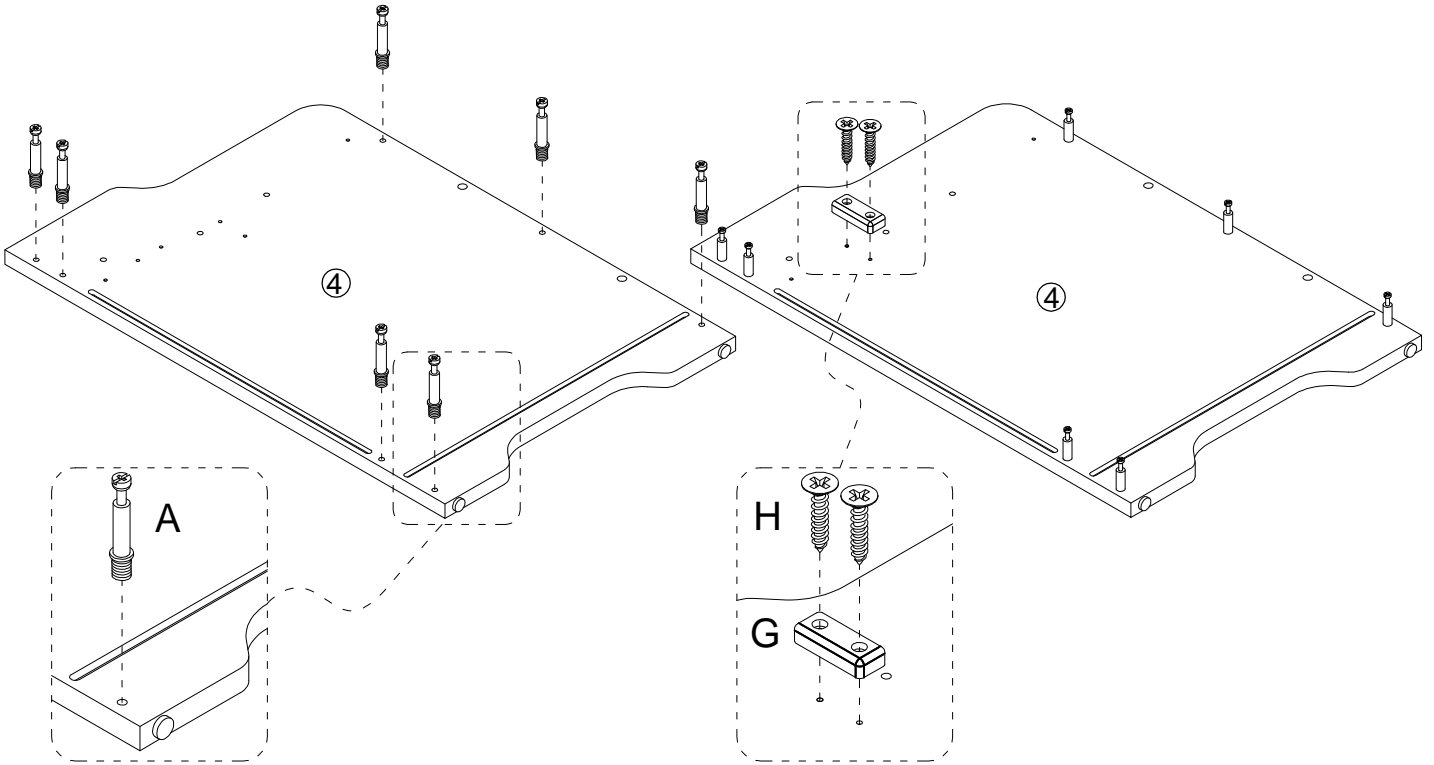
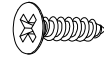
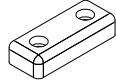
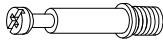


5

(A) x 7pcs

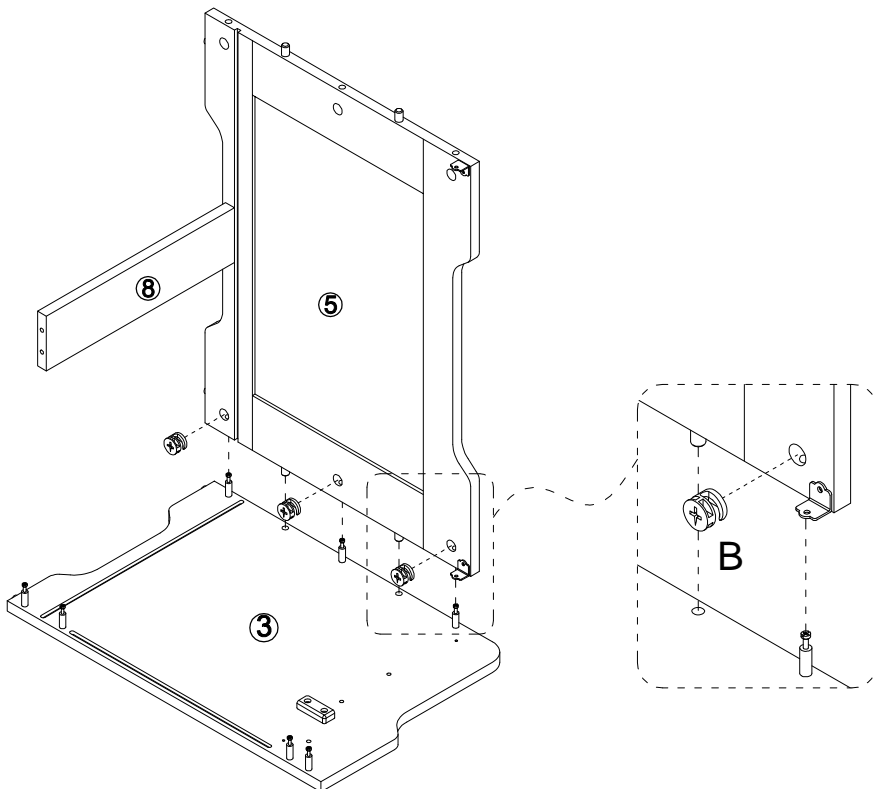
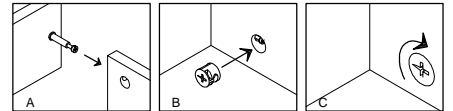
(G) x 1pc

(H) x 2pcs



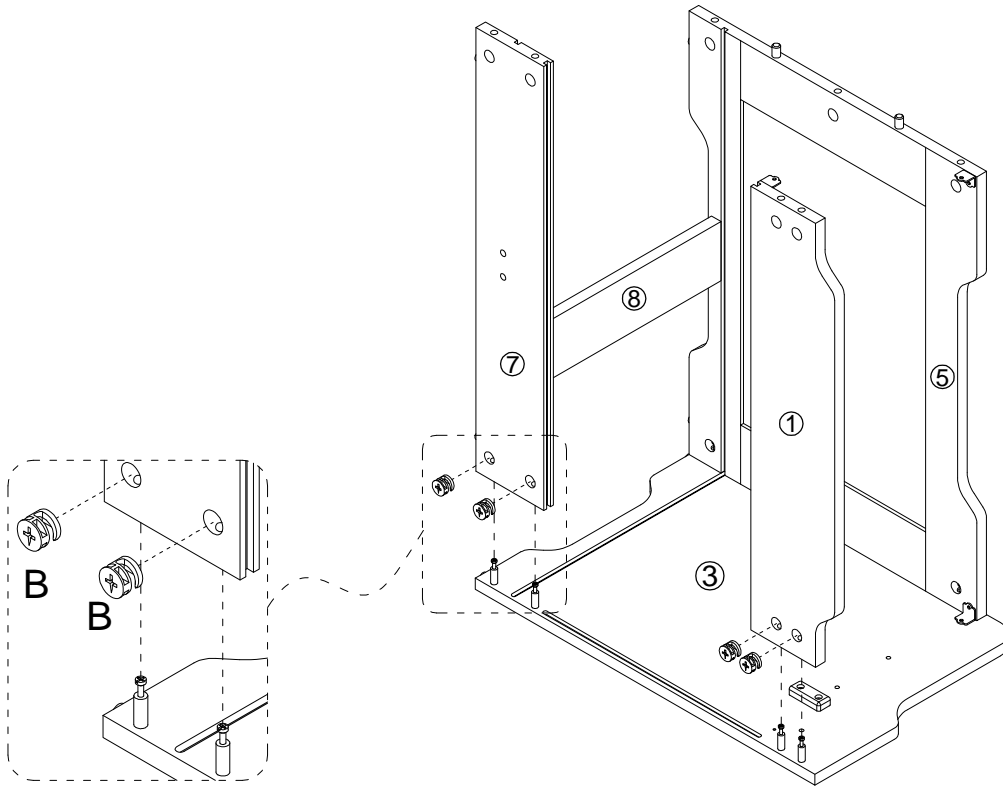
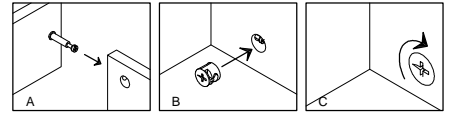
6

(B) x 3pcs



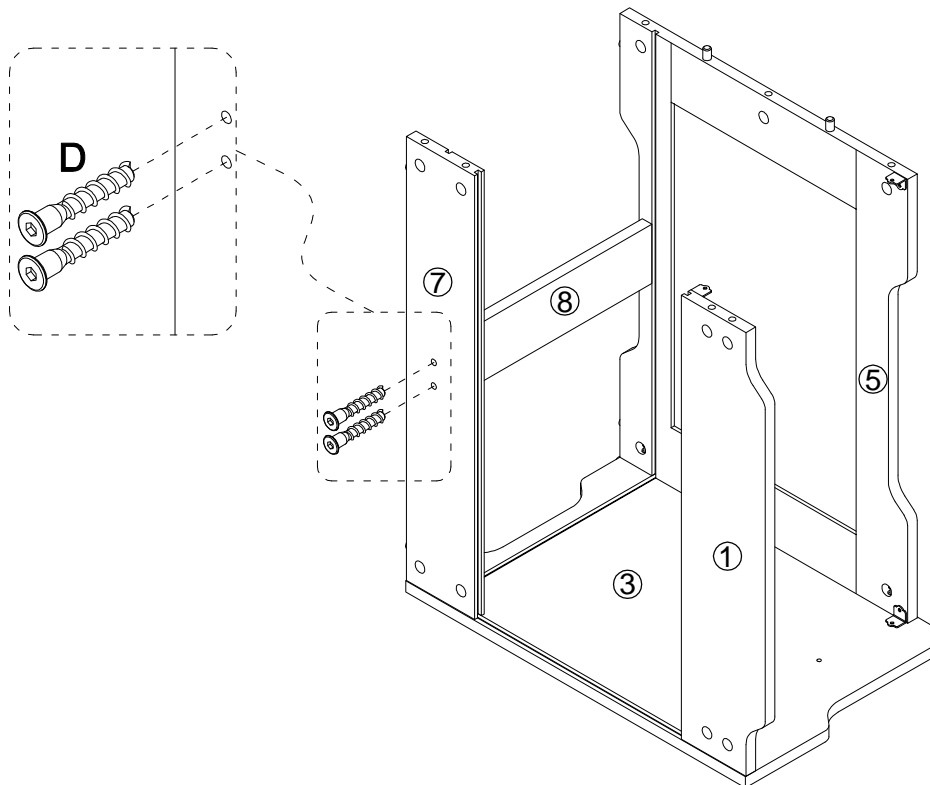
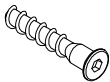
7

(B) x 4pcs

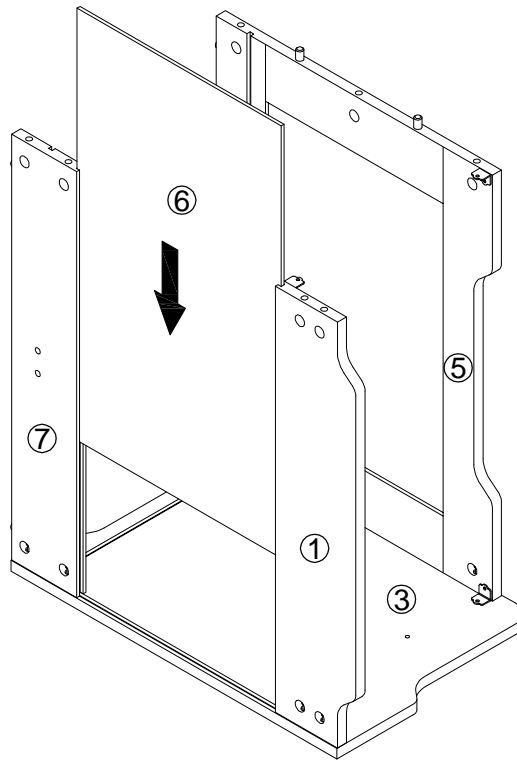


8

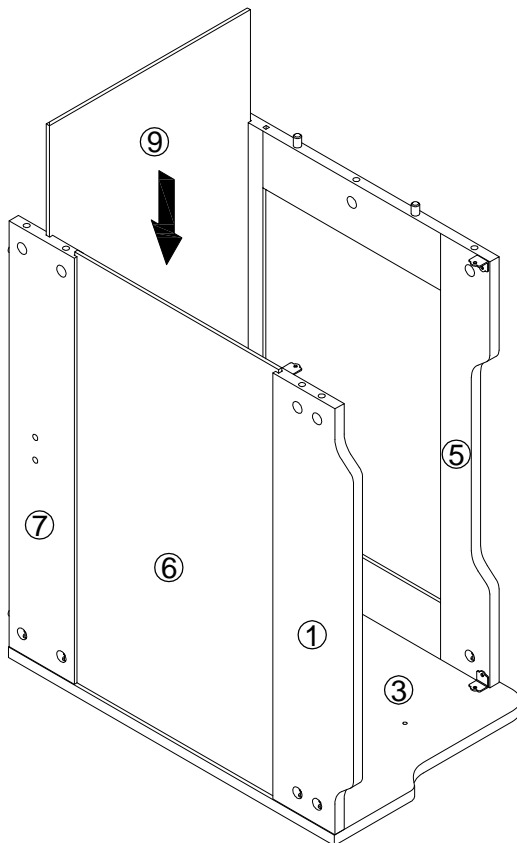
(D) x 2pcs



9

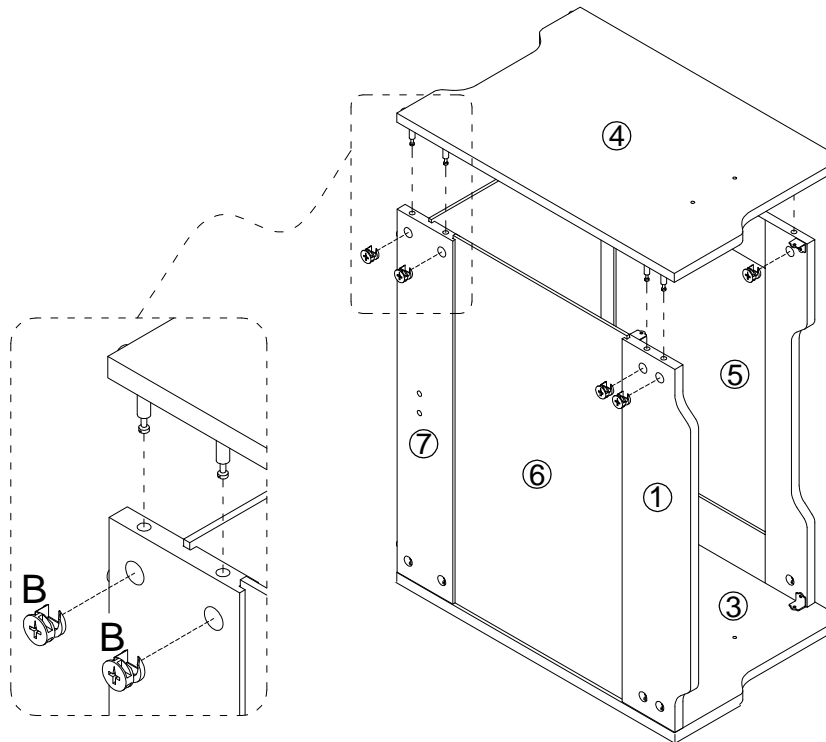
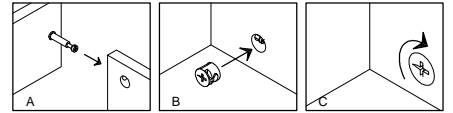


10



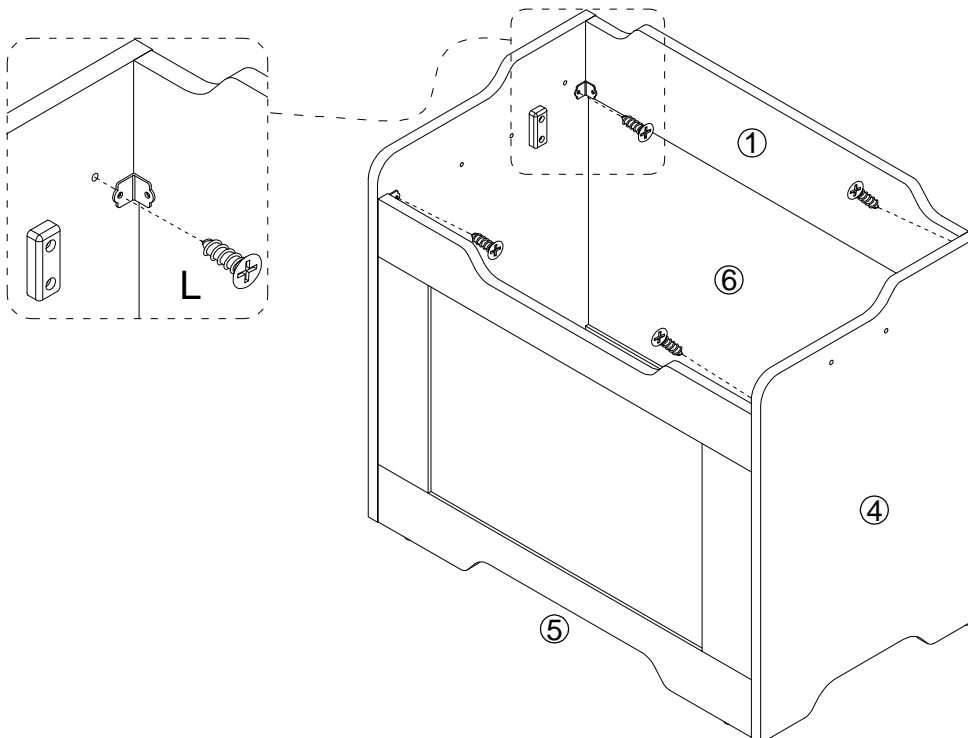
11

(B) x 7pcs



12

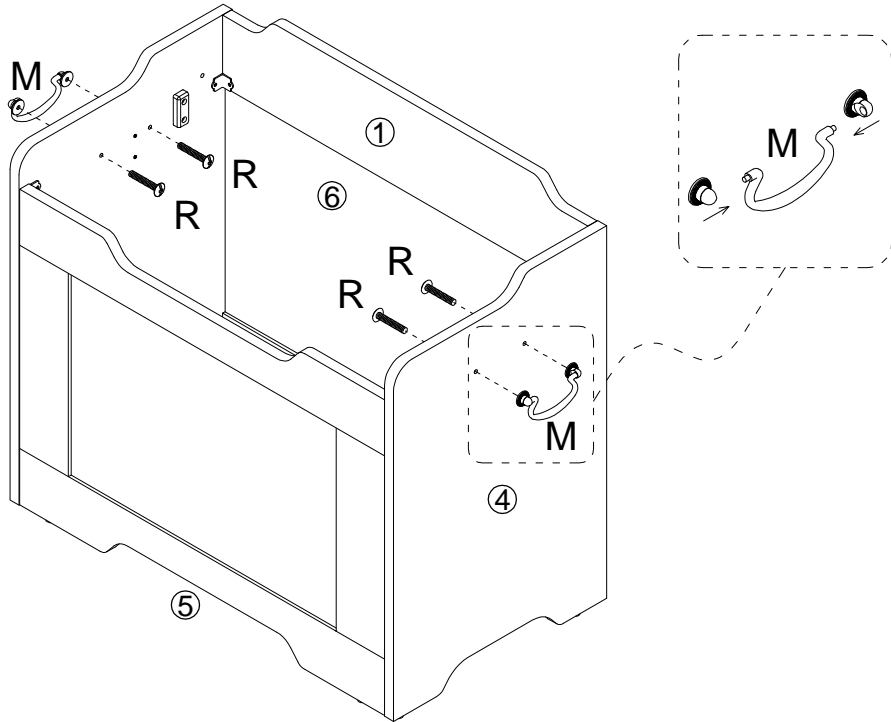
(L) x 4pcs



13

(M) x 2pcs

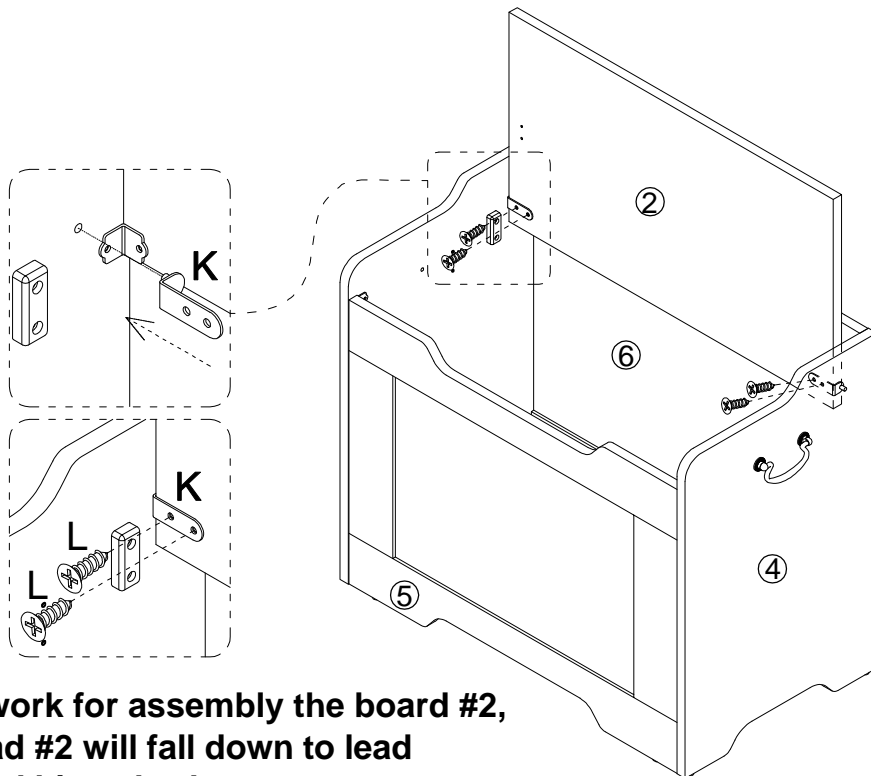
(R) x 4pcs



14

(K) x 2pcs

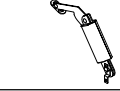
(L) x 4pcs



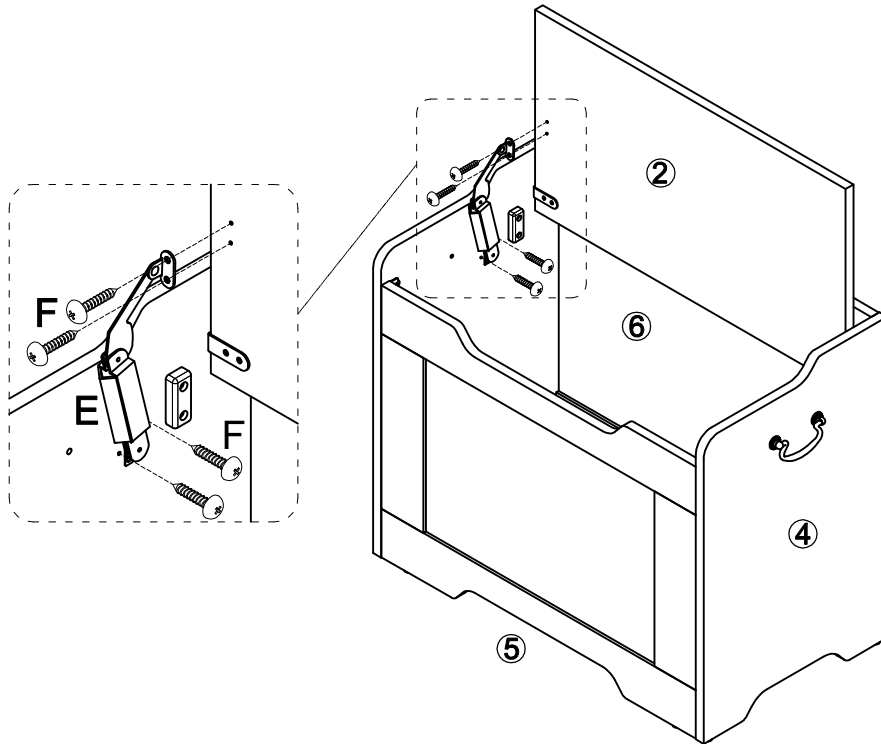
Noted must team work for assembly the board #2, otherwise the board #2 will fall down to lead the board and metal hinge broke.

15

(E) x 1pc

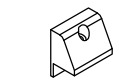


(F) x 4pcs

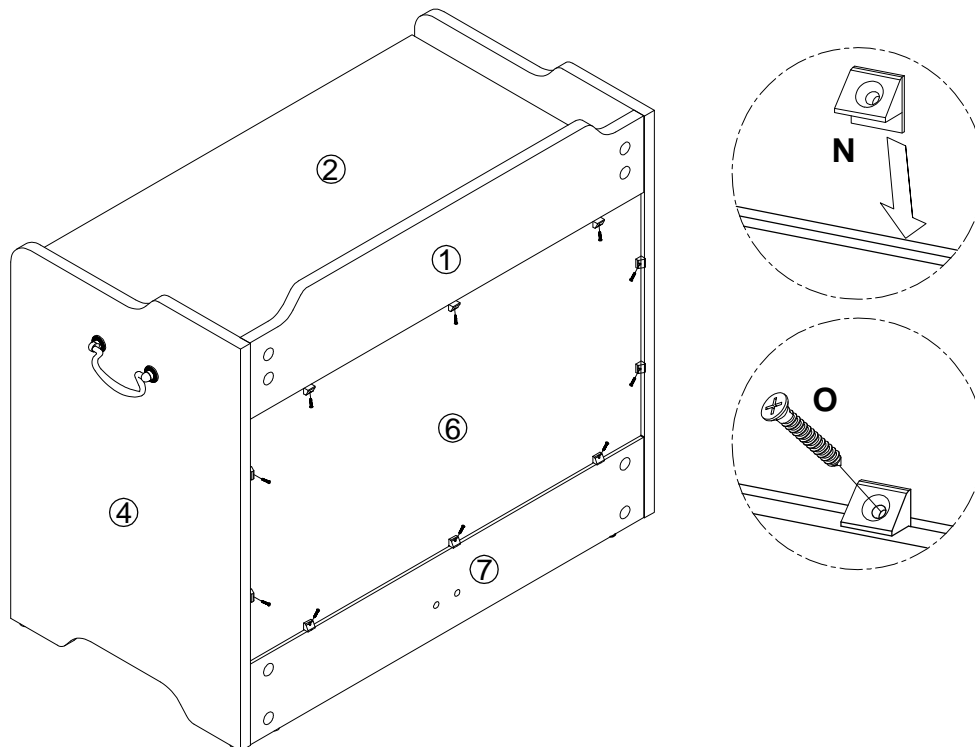


16

(N) x 10pcs



(O) x 10pcs



17

