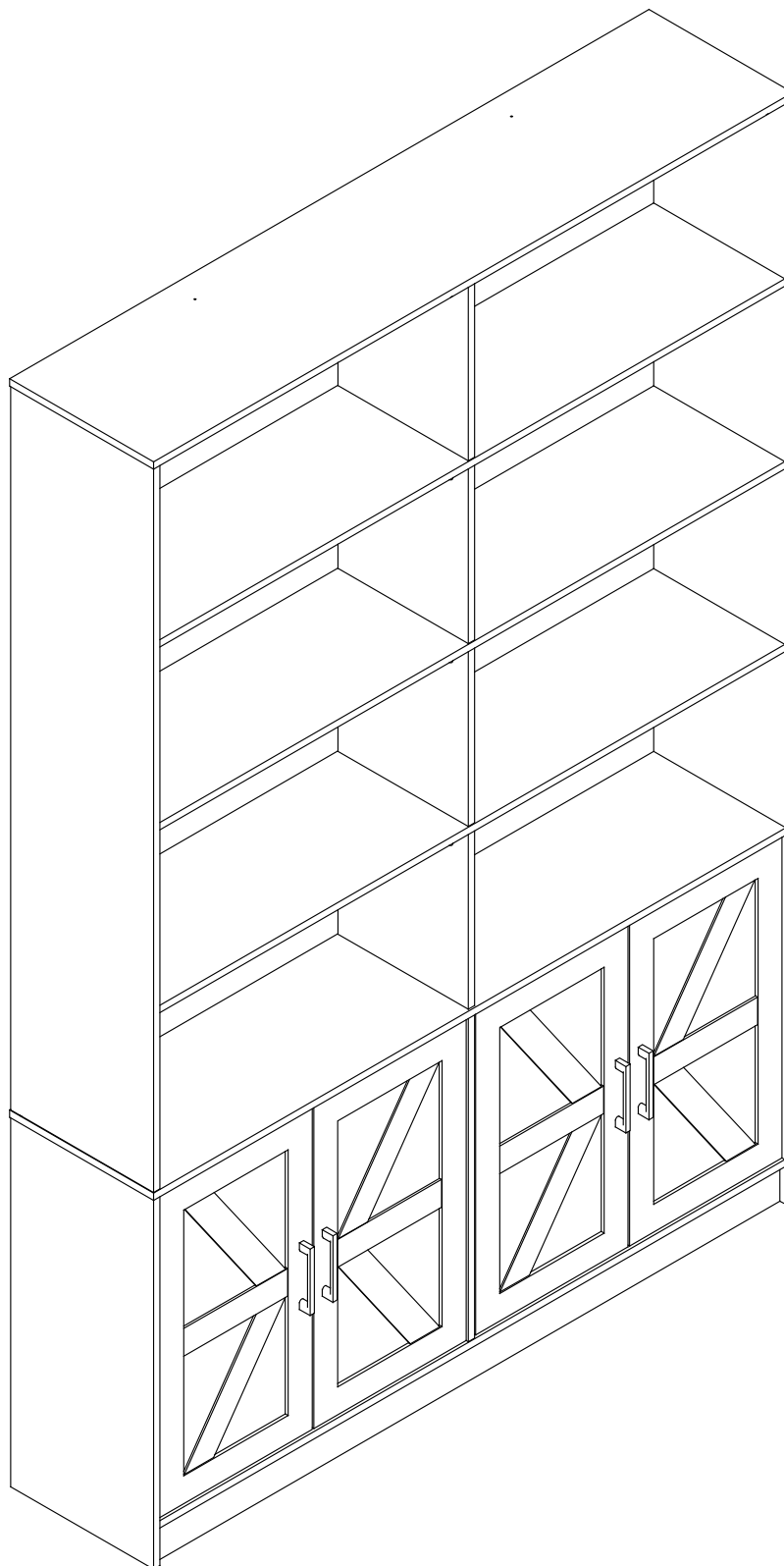
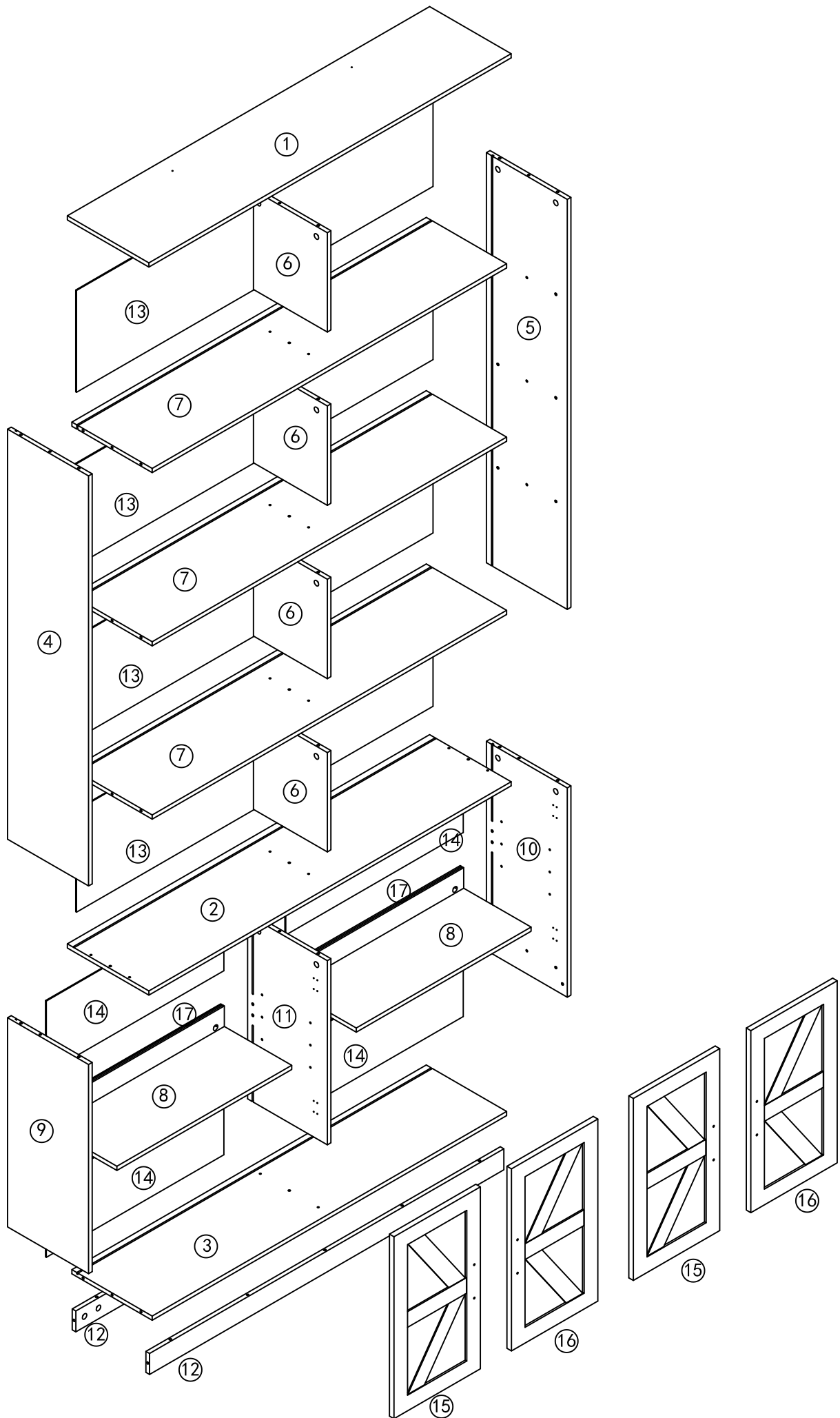
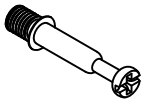

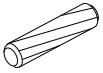
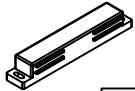


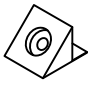


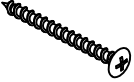




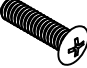
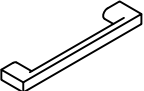
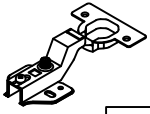




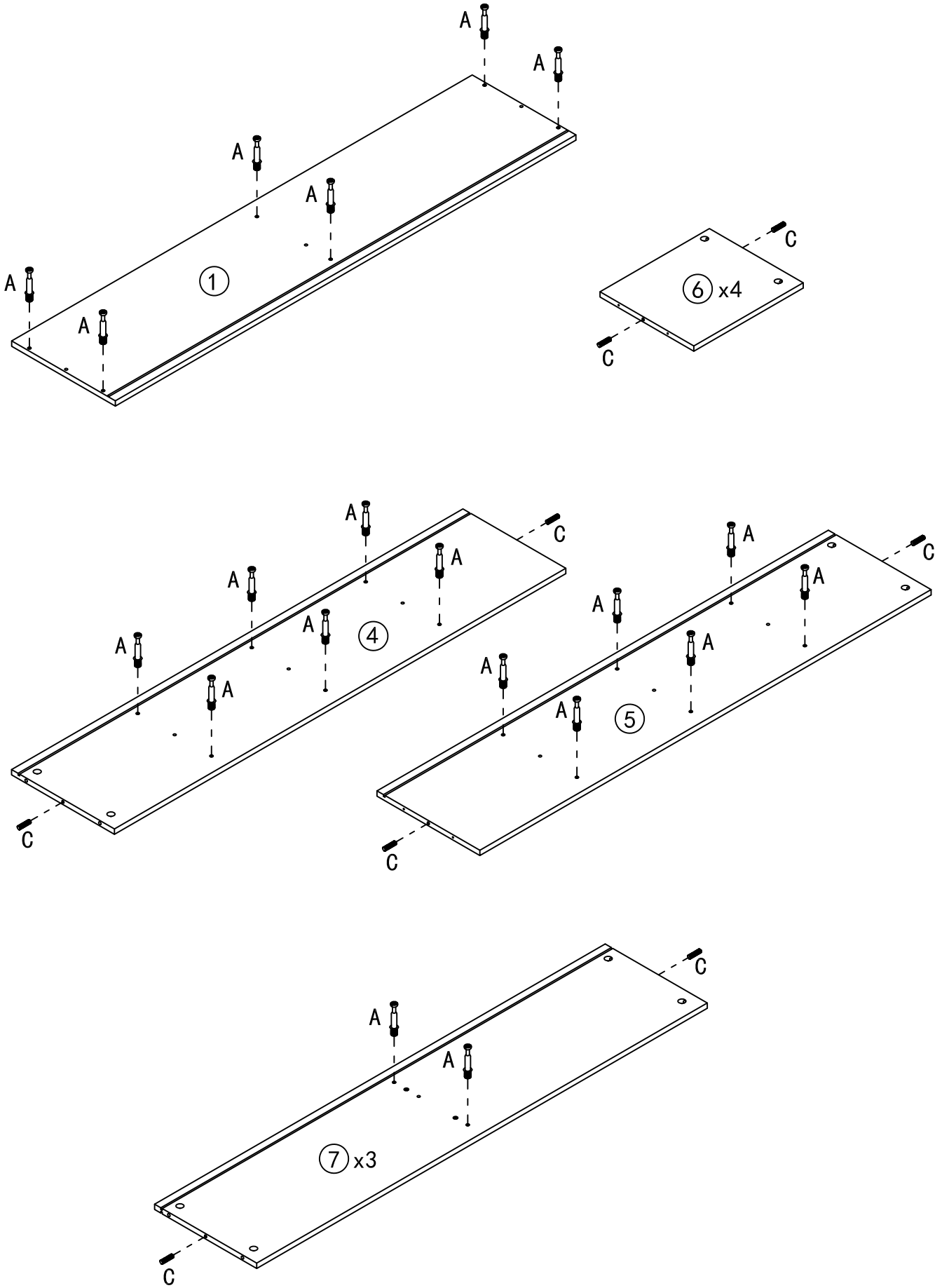
Installation & Assembly


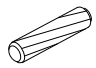




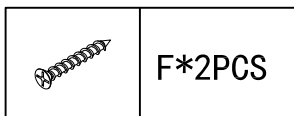
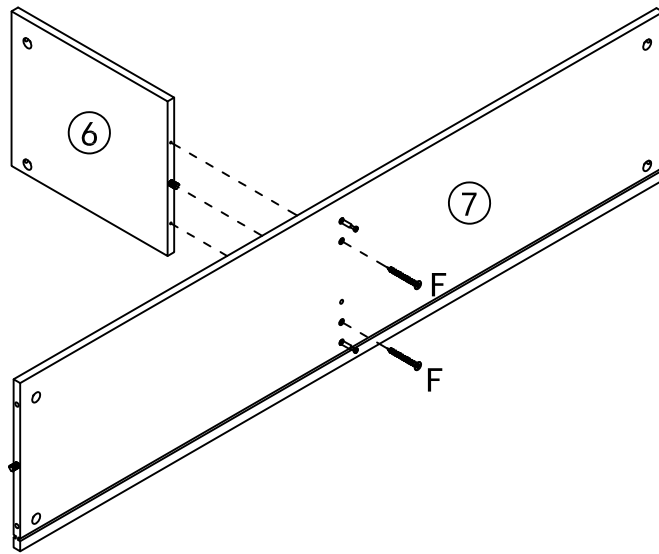
<p>A</p>  <p>52+2PCS</p>	<p>B</p>  <p>52+2PCS</p>	<p>C</p>  <p>Ø6*30MM 28+2PCS</p>	<p>D</p>  <p>2PCS</p>
<p>E</p>  <p>4PCS</p>	<p>F</p>  <p>M4*30MM 14+1PCS</p>	<p>G</p>  <p>48+2PCS</p>	<p>H</p>  <p>M3*16MM 52+2PCS</p>
<p>I</p>  <p>2PCS</p>	<p>J</p>  <p>Ø4*35MM 2PCS</p>	<p>K</p>  <p>2PCS</p>	<p>L</p>  <p>Ø4*12MM 2PCS</p>
<p>M</p>  <p>12PCS</p>	<p>N</p>  <p>M3*12MM 4+1PCS</p>	<p>O</p>  <p>M4*20MM 8+1PCS</p>	<p>P</p>  <p>4PCS</p>
<p>Q</p>  <p>8PCS</p>	<p>R</p>  <p>M4*12MM 48+2PCS</p>	<p>S</p>  <p>8+1PCS</p>	

STEP 1

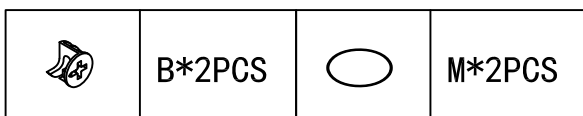
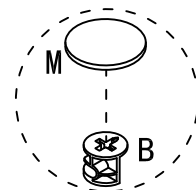
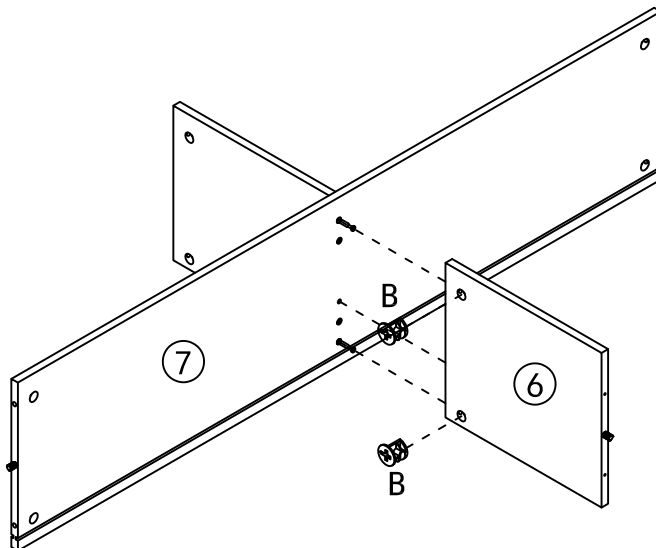


	A*24PCS		C*18PCS
---	---------	---	---------

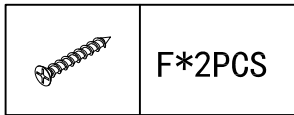
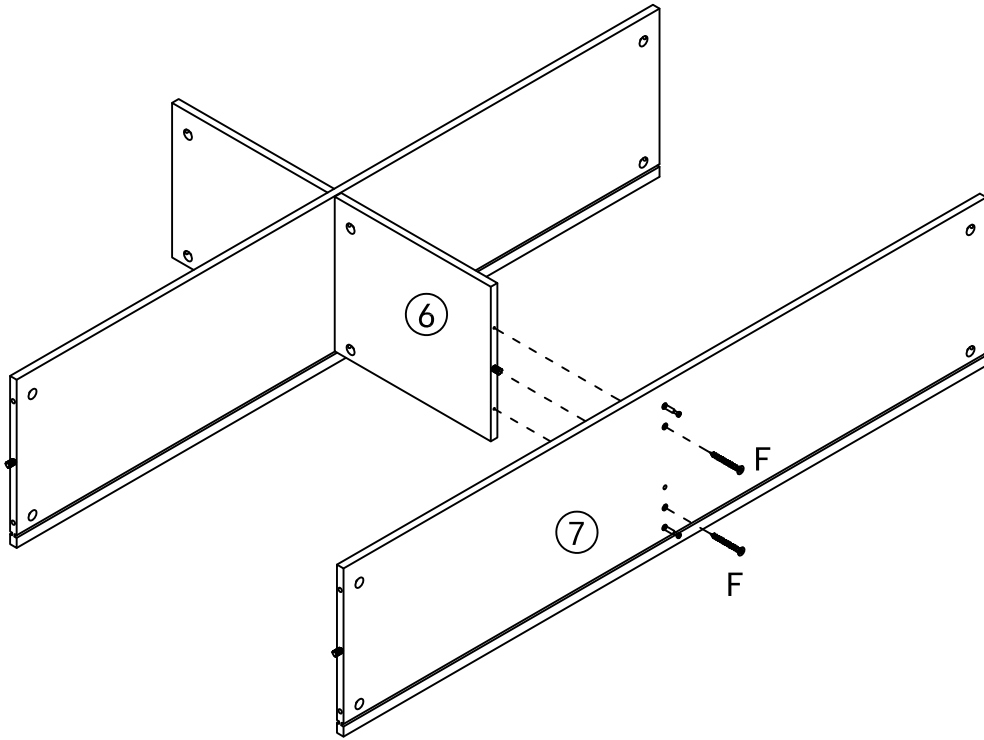
STEP 2



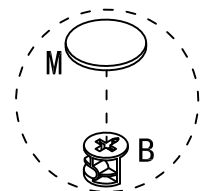
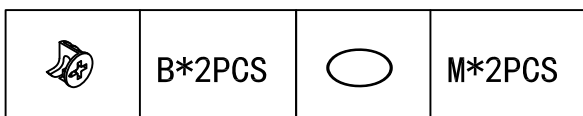
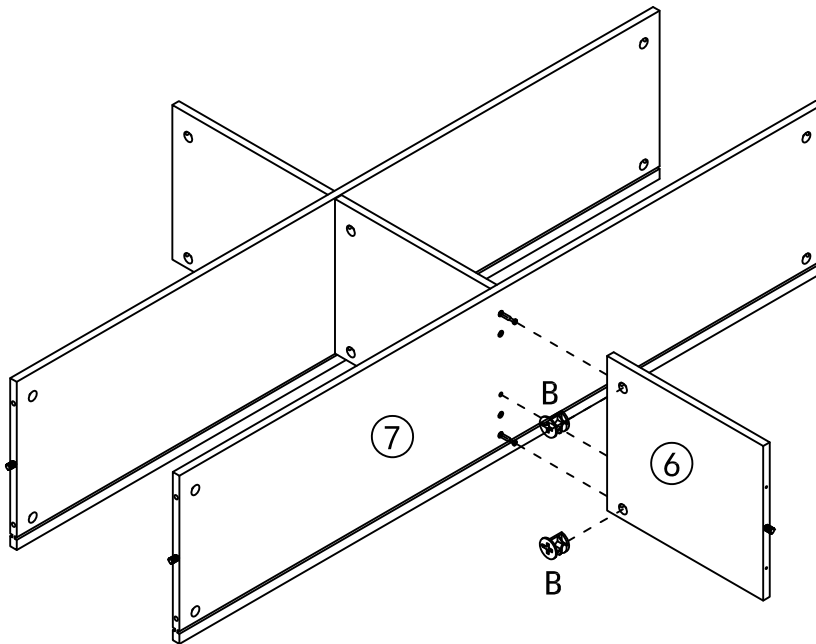
STEP 3



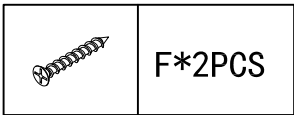
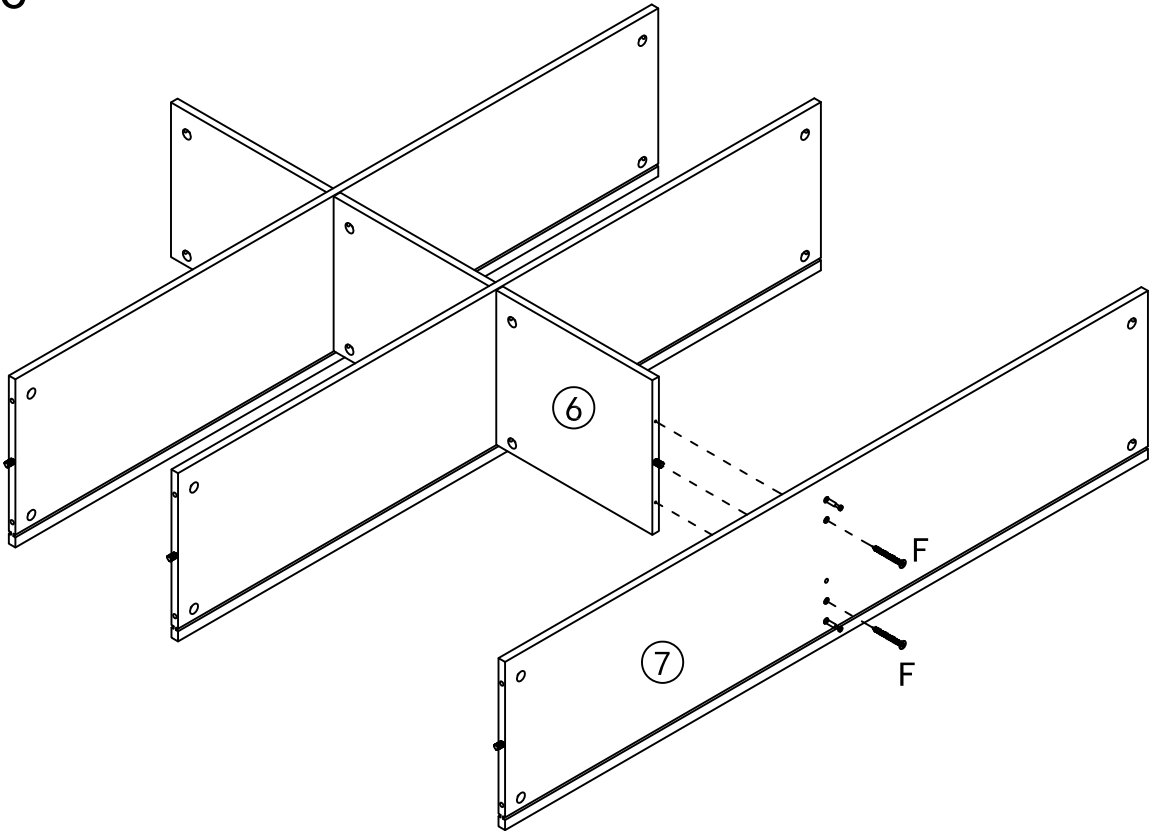
STEP 4



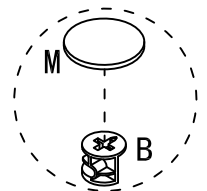
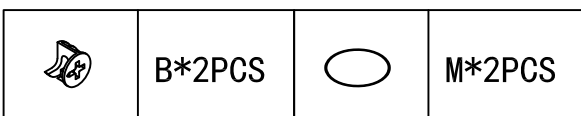
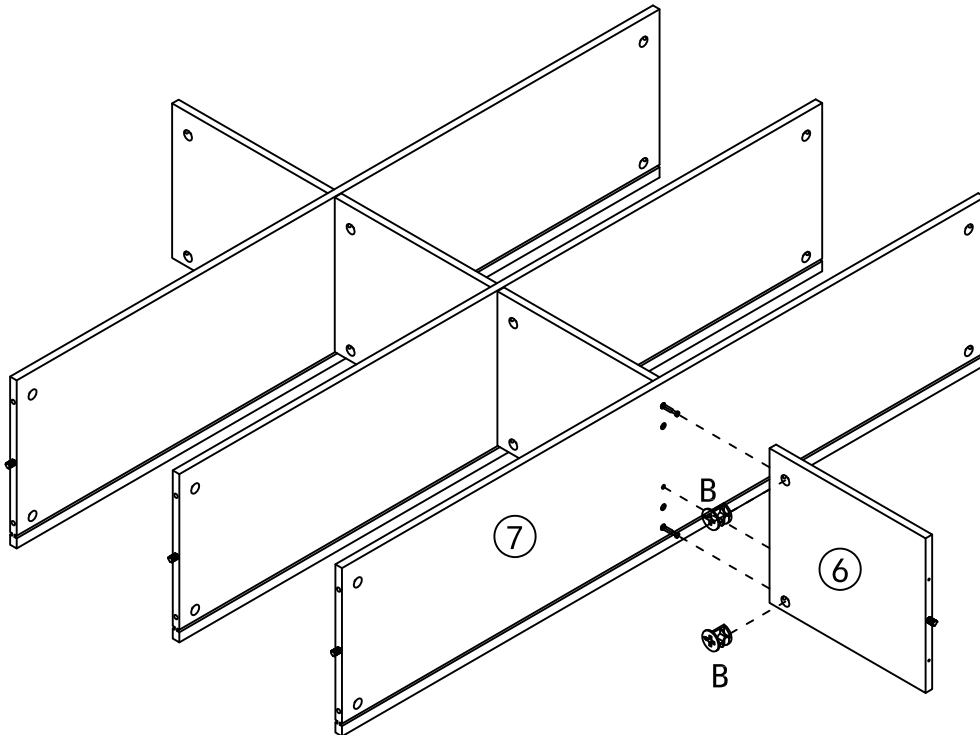
STEP 5



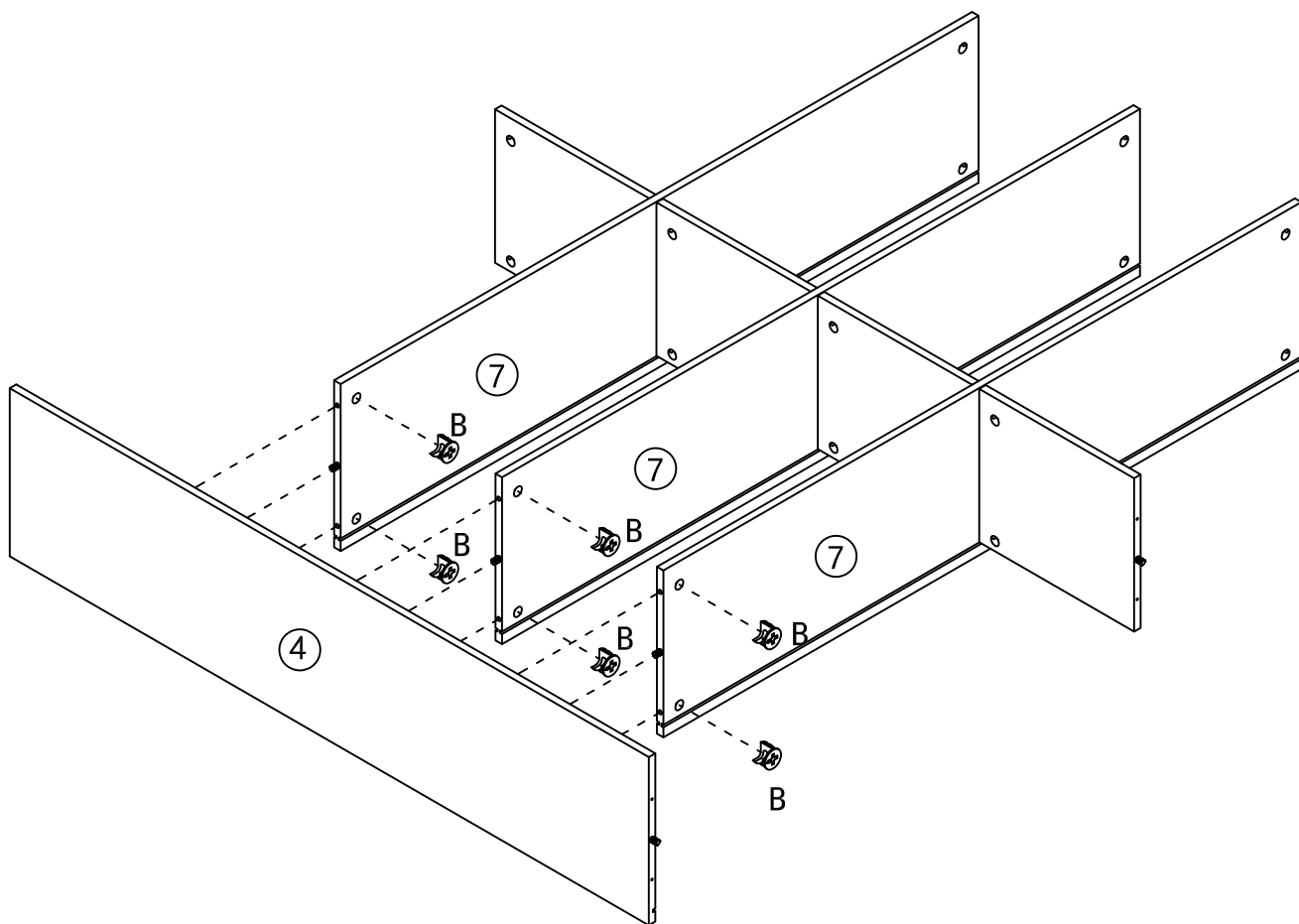
STEP 6




STEP 7

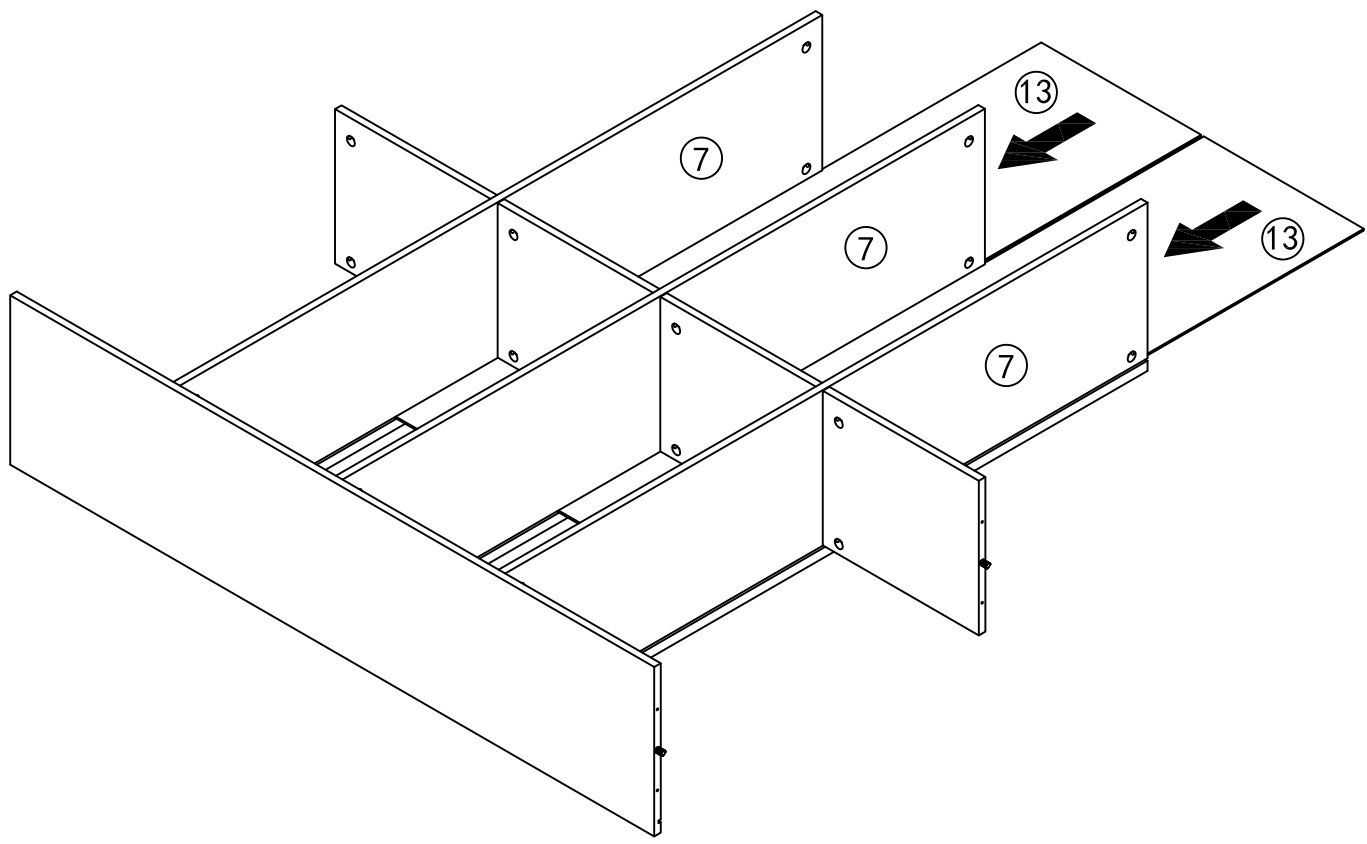


STEP 8

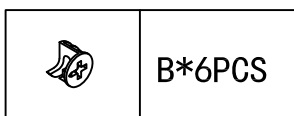
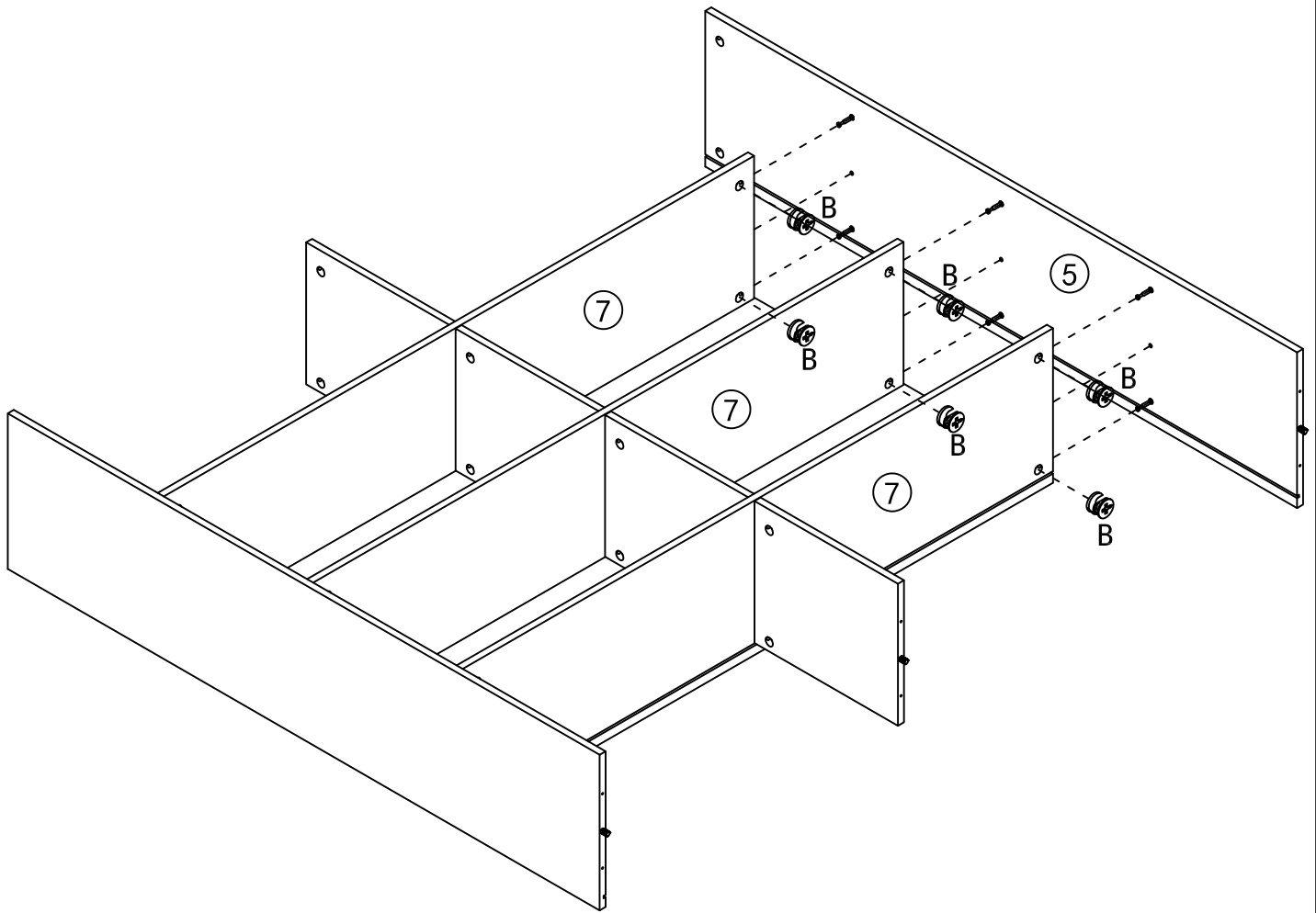


	B*6PCS
---	--------

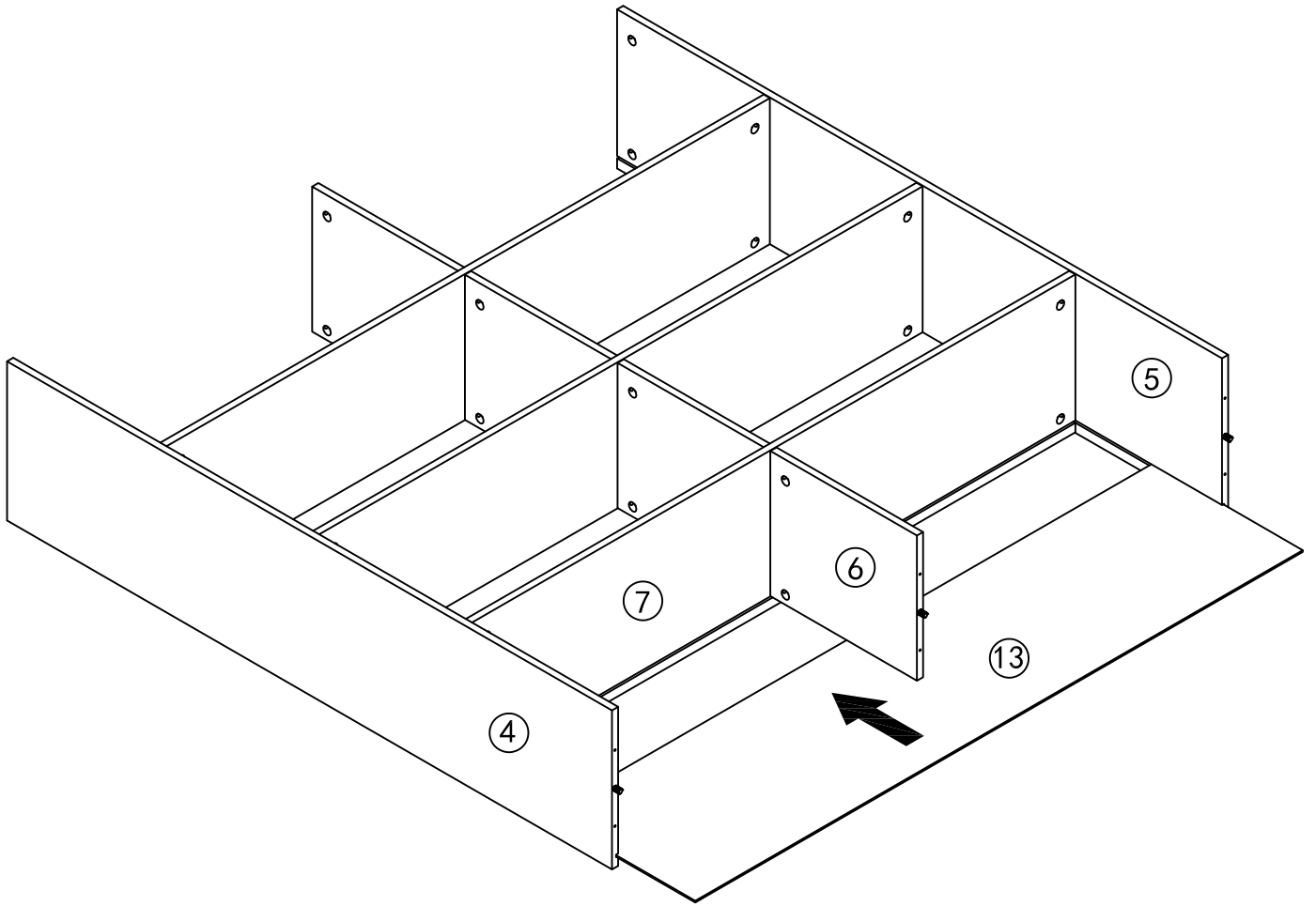
STEP 9



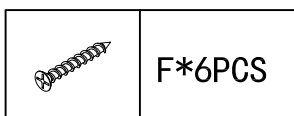
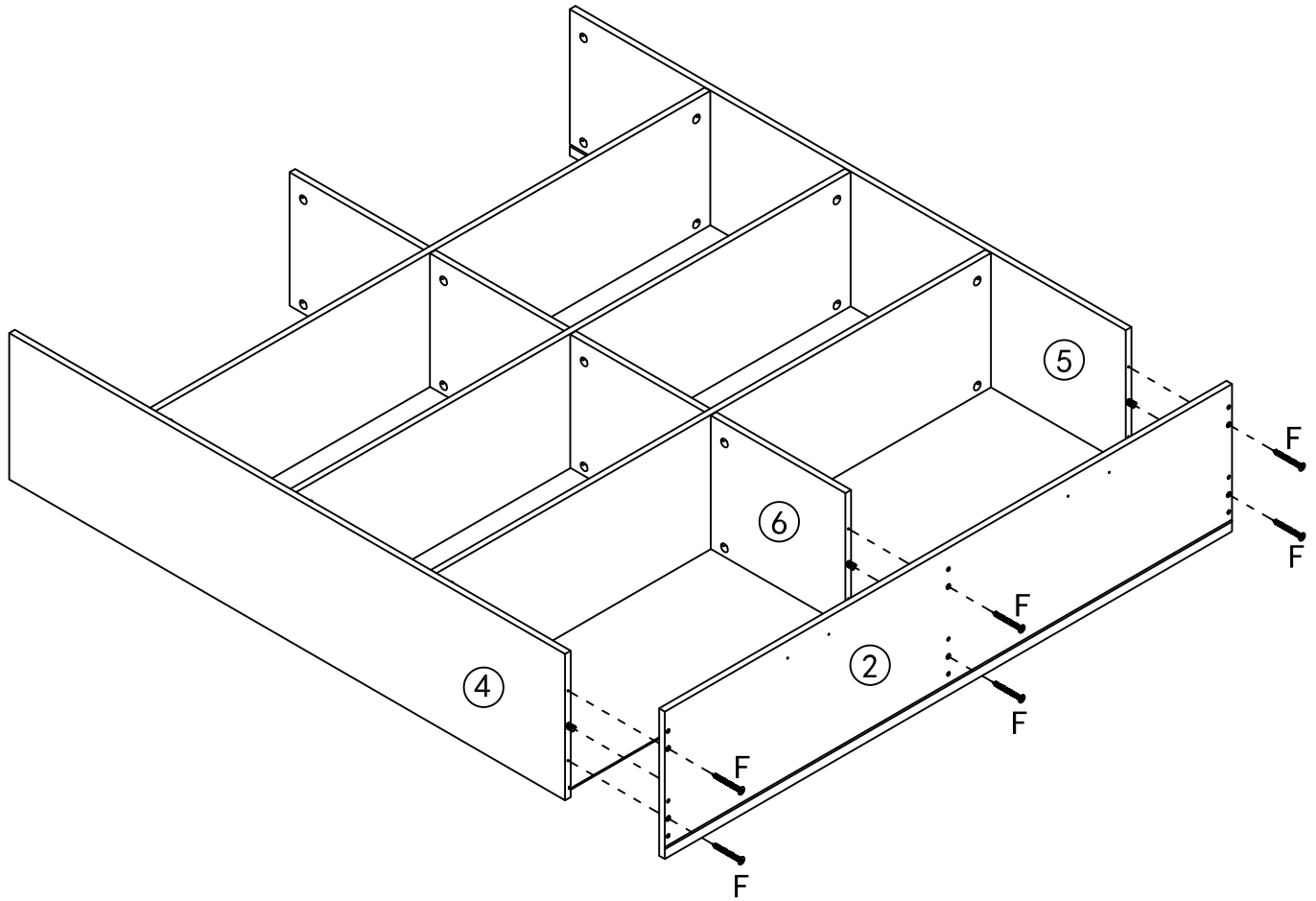
STEP 10



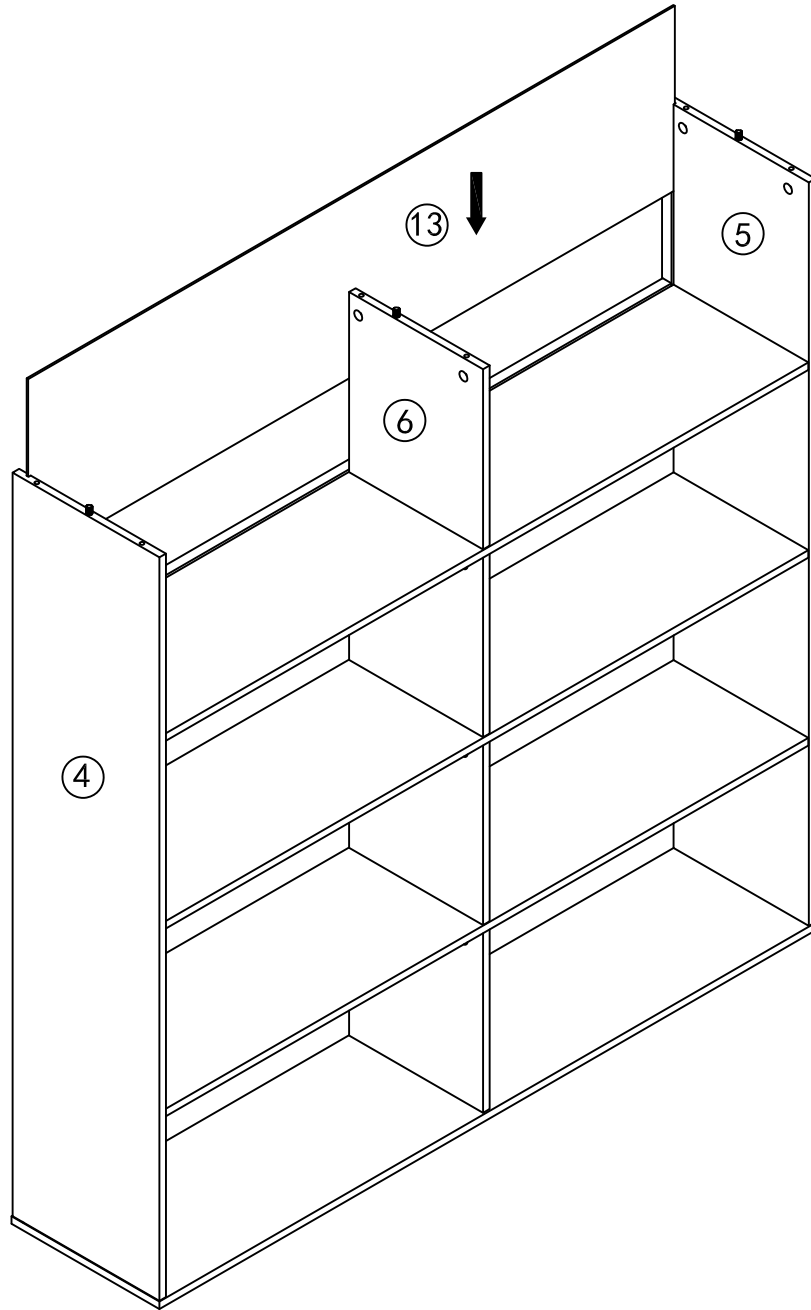
STEP 11



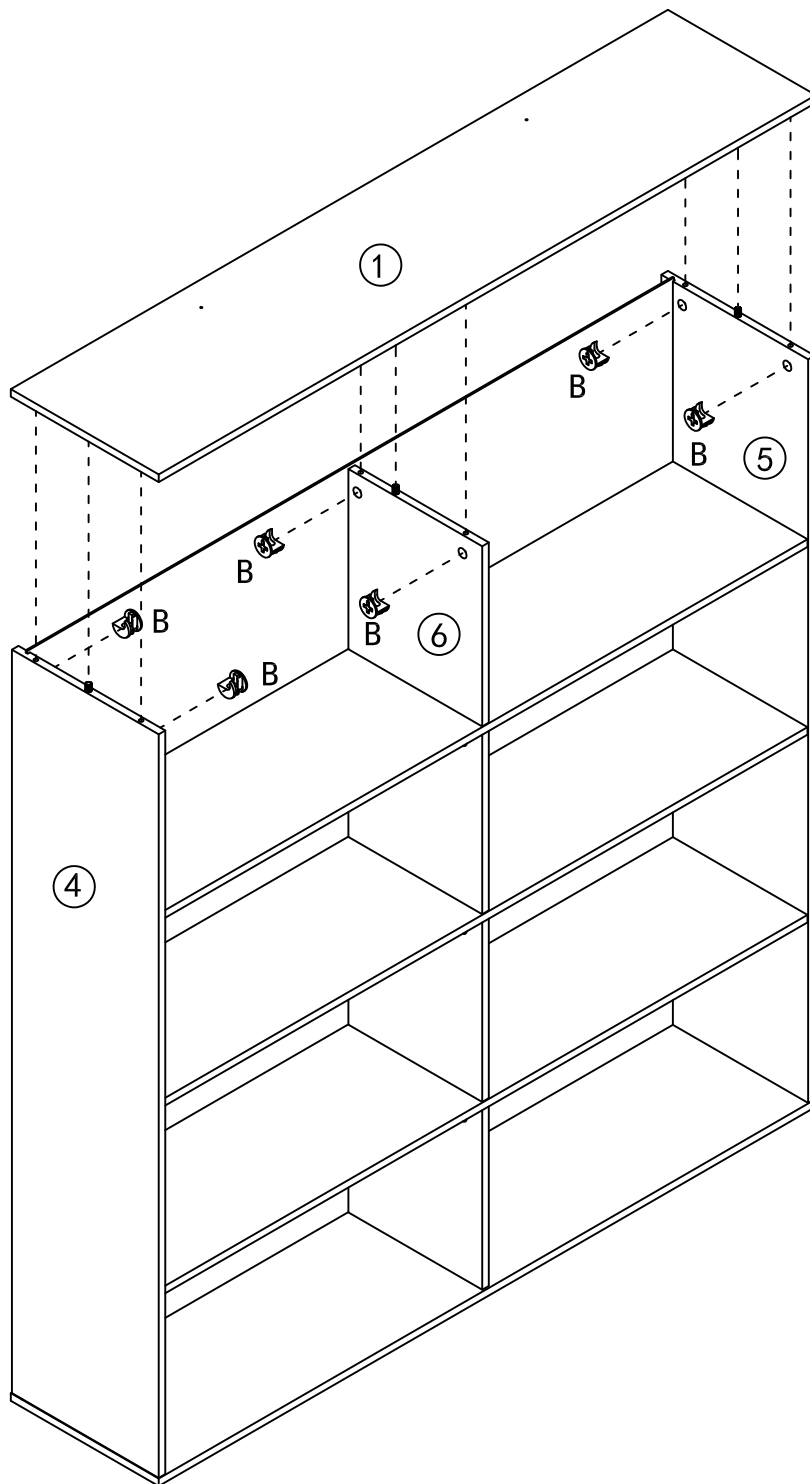
STEP 12





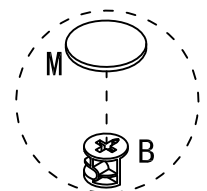
STEP 13



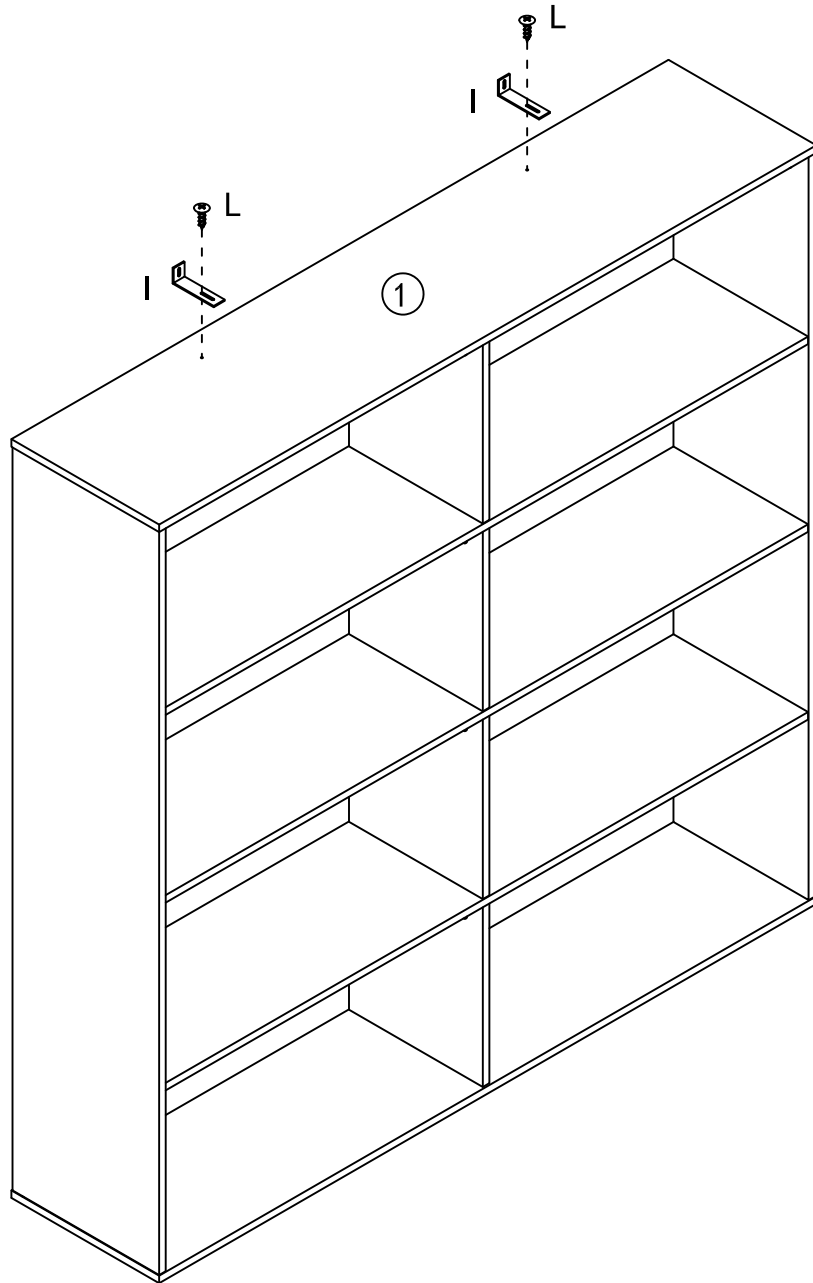
STEP 14





	B*6PCS		M*6PCS
---	--------	---	--------

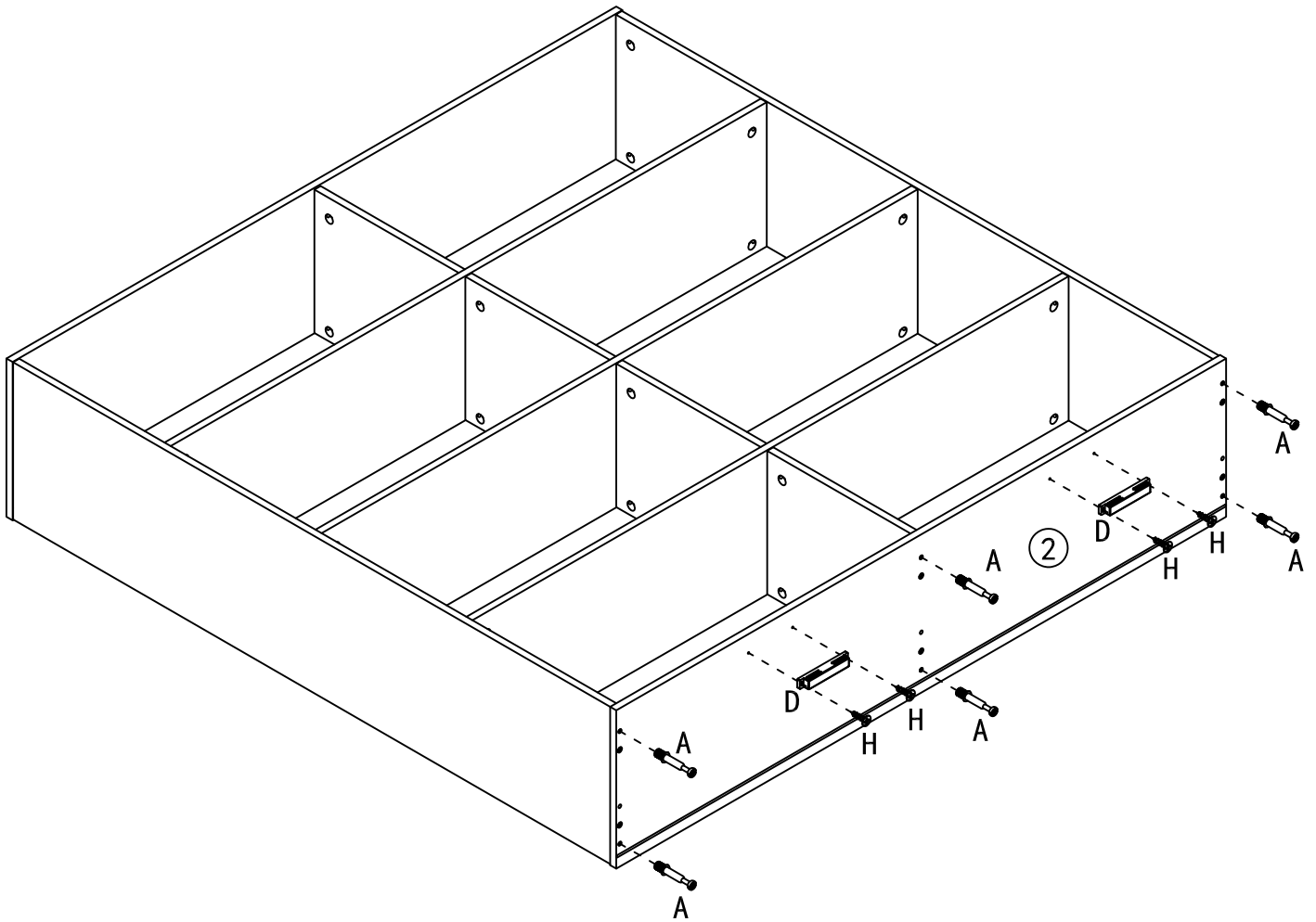



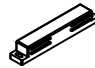

STEP 15



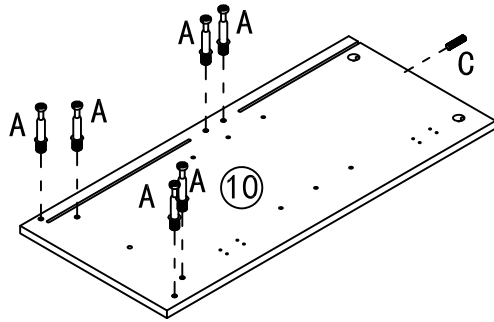
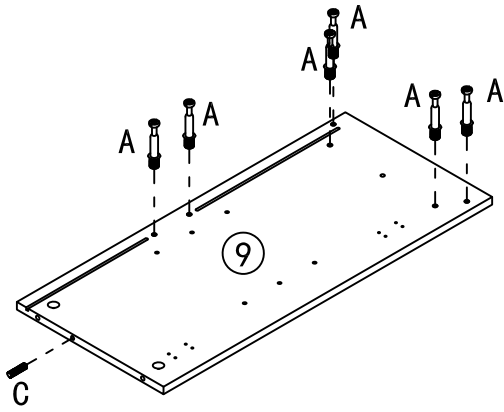
	I*2PCS		L*2PCS
---	--------	---	--------

STEP 16

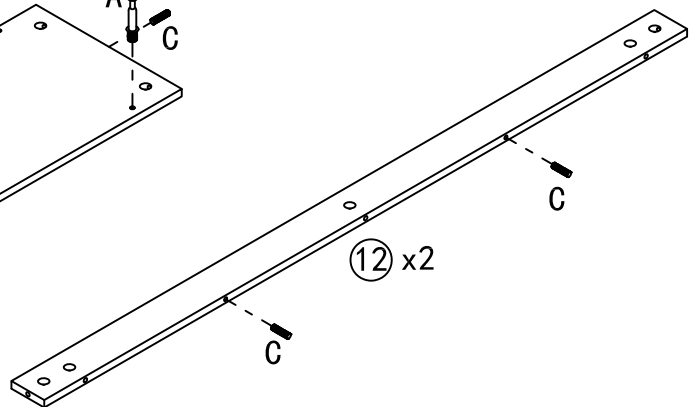
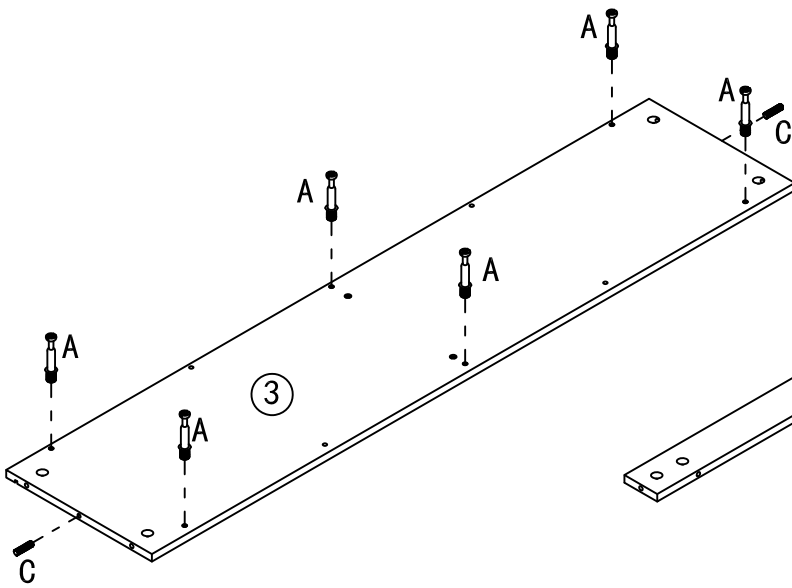
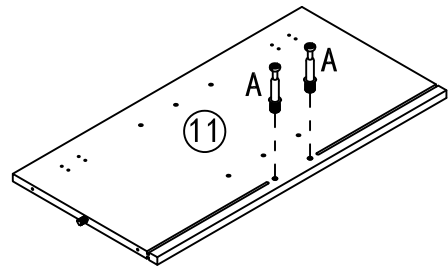
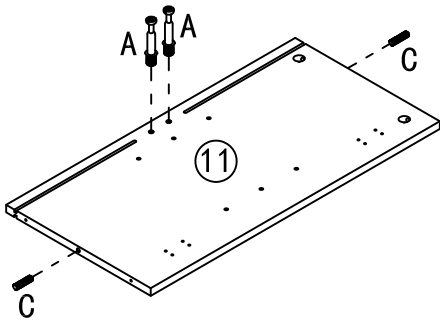



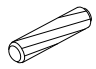
	A*6PCS		D*2PCS		H*4PCS
---	--------	---	--------	---	--------

STEP 17

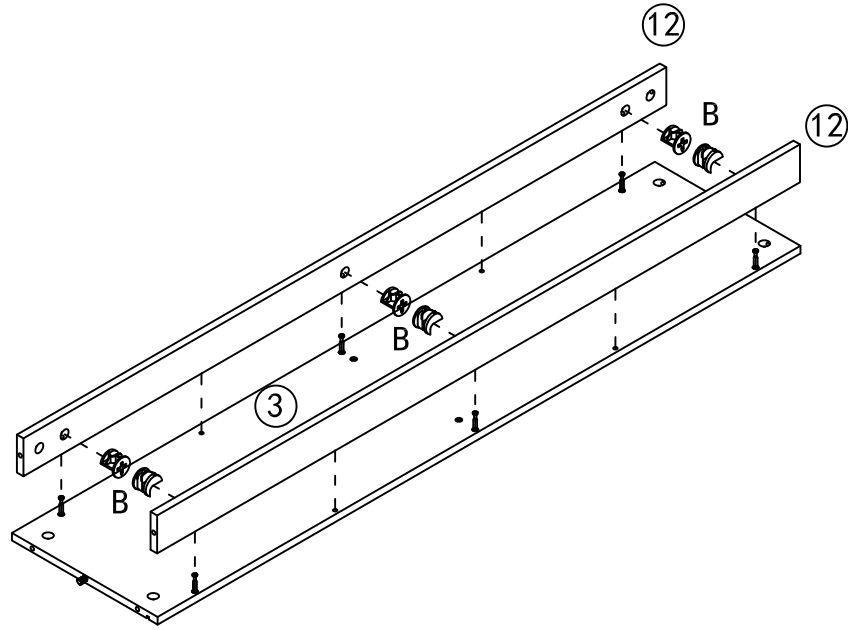



Please flip it 180°



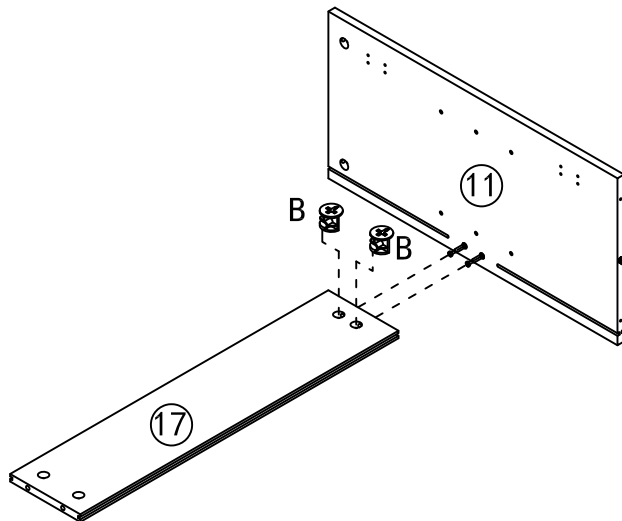
	A*22PCS		C*10PCS
---	---------	---	---------


STEP 18



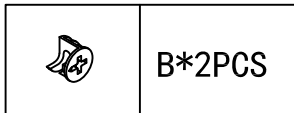
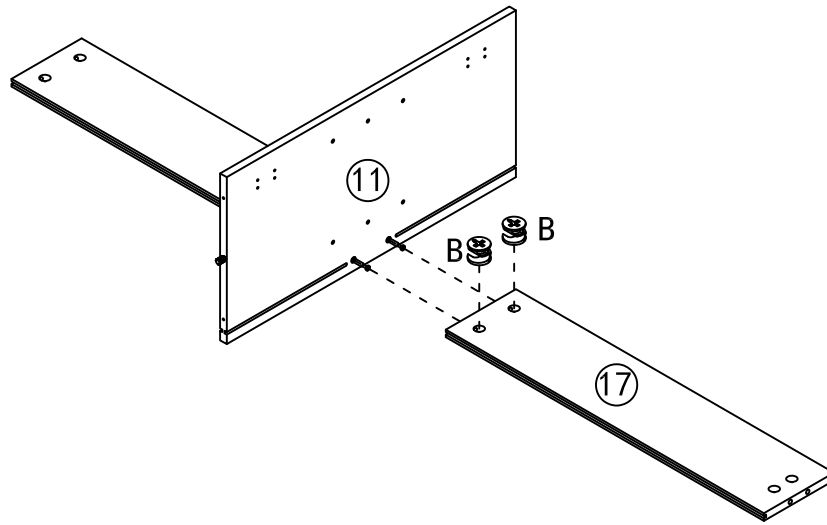
	B*6PCS
---	--------

STEP 19

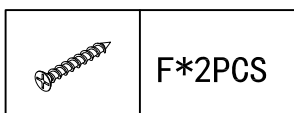
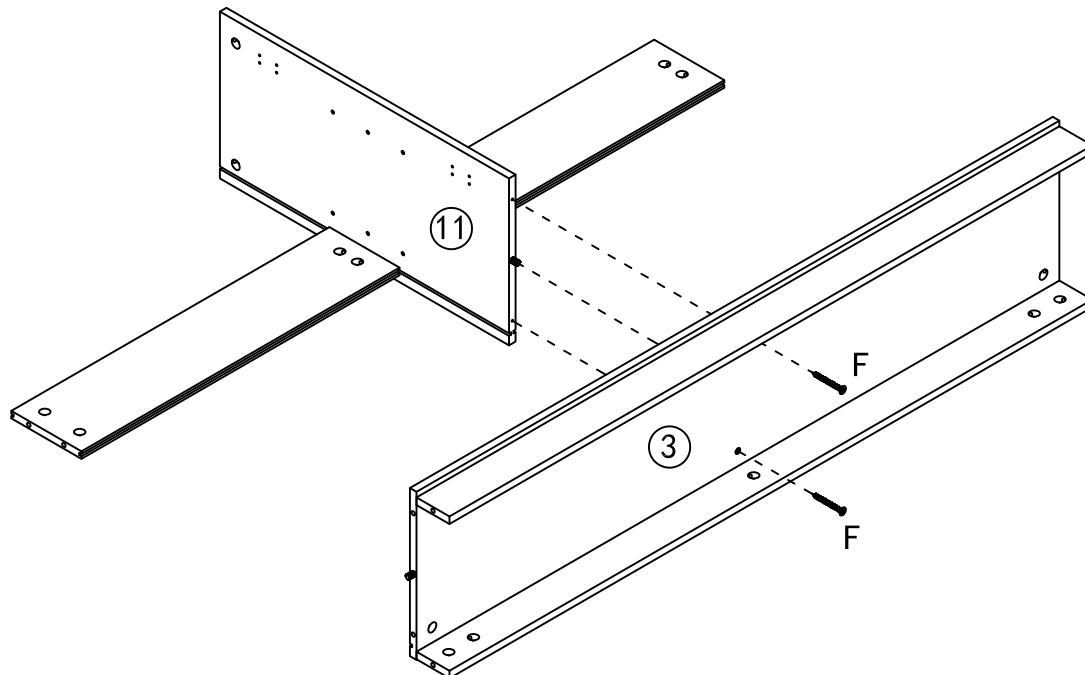


	B*2PCS
---	--------

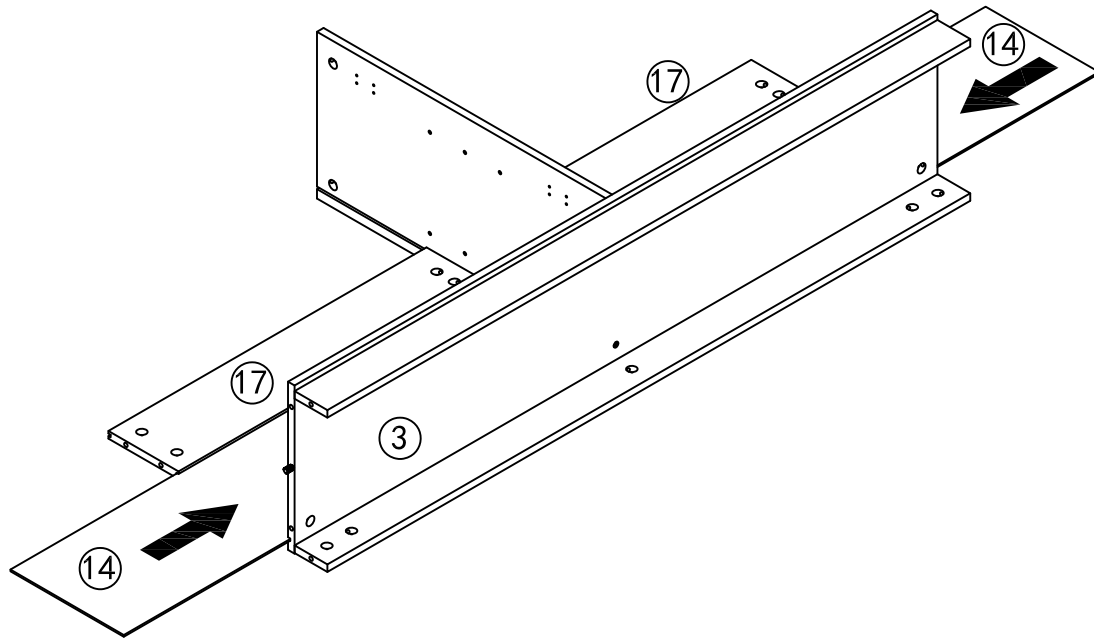
STEP 20



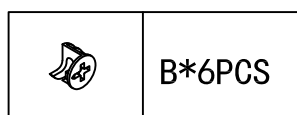
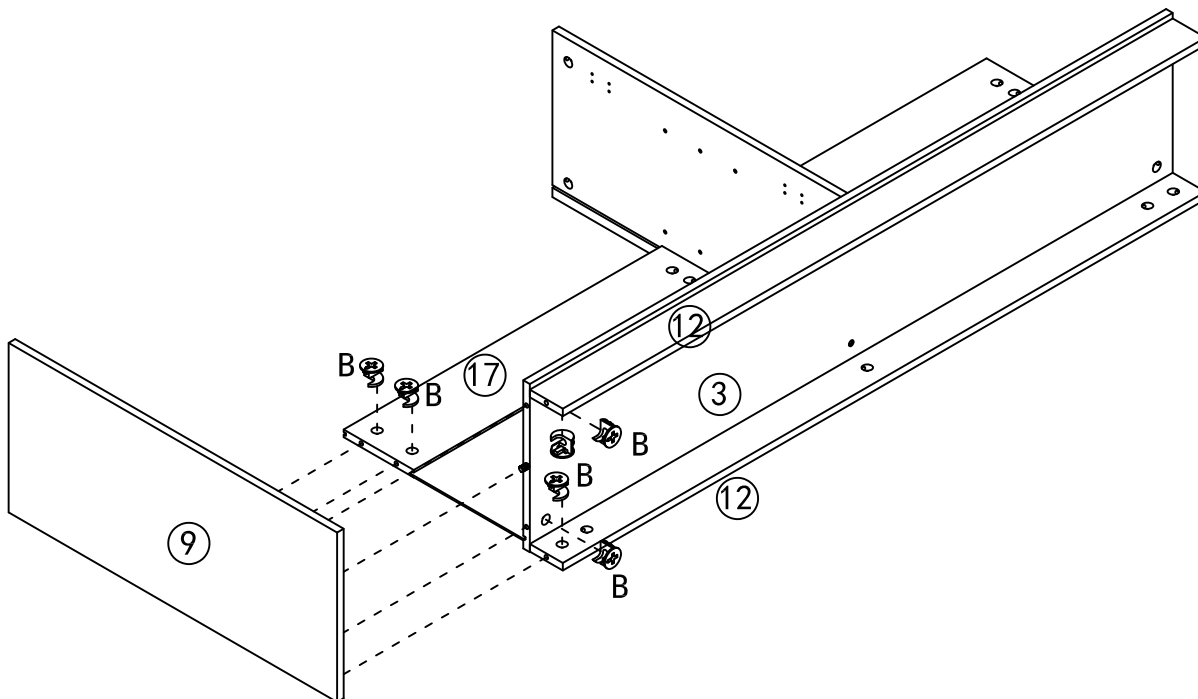
STEP 21



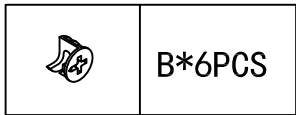
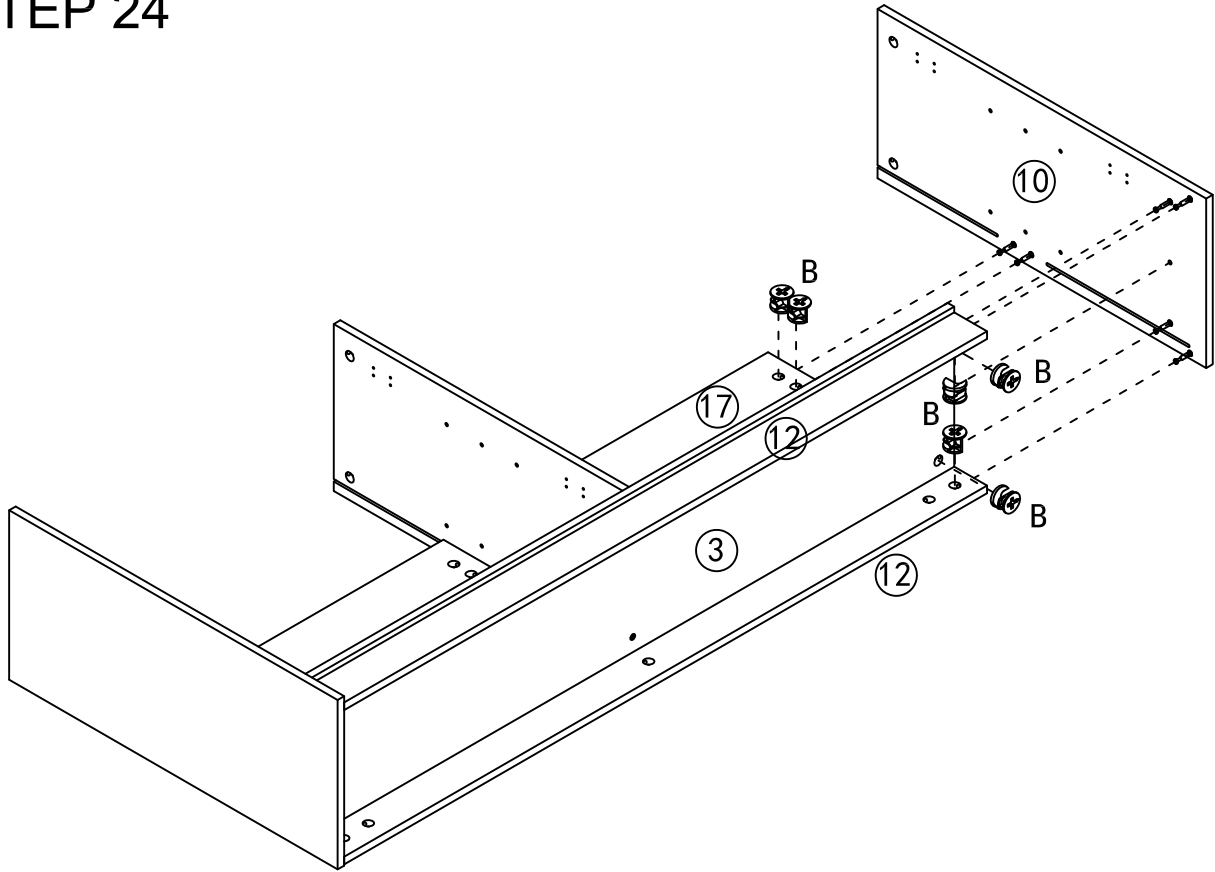
STEP 22



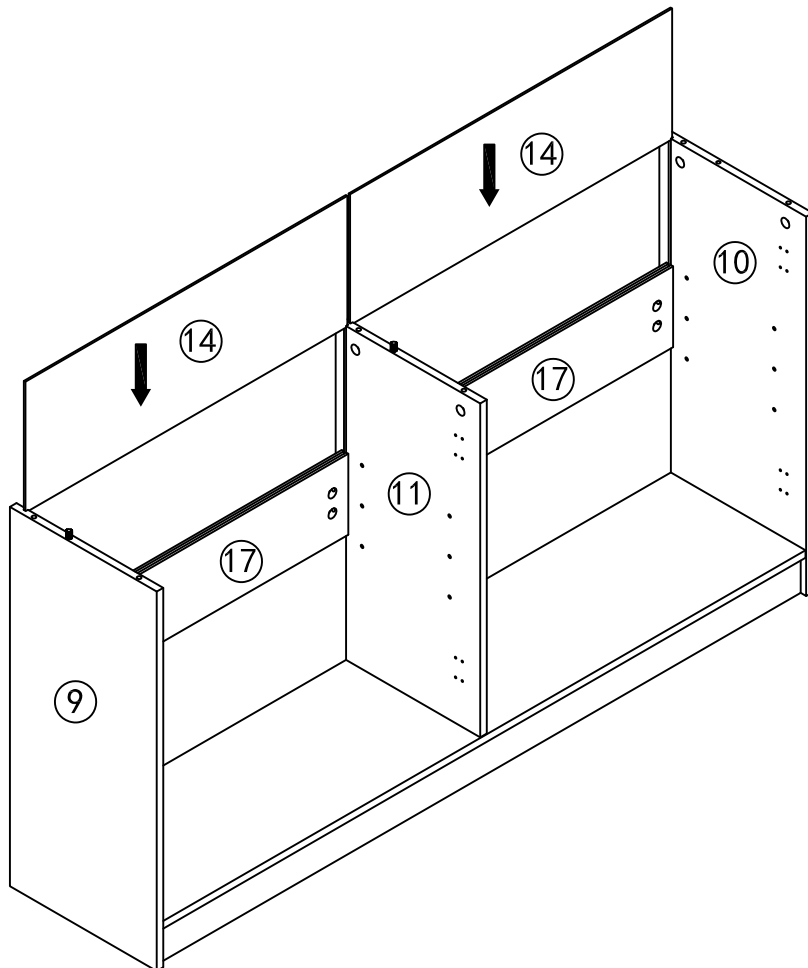
STEP 23



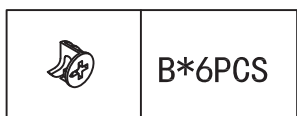
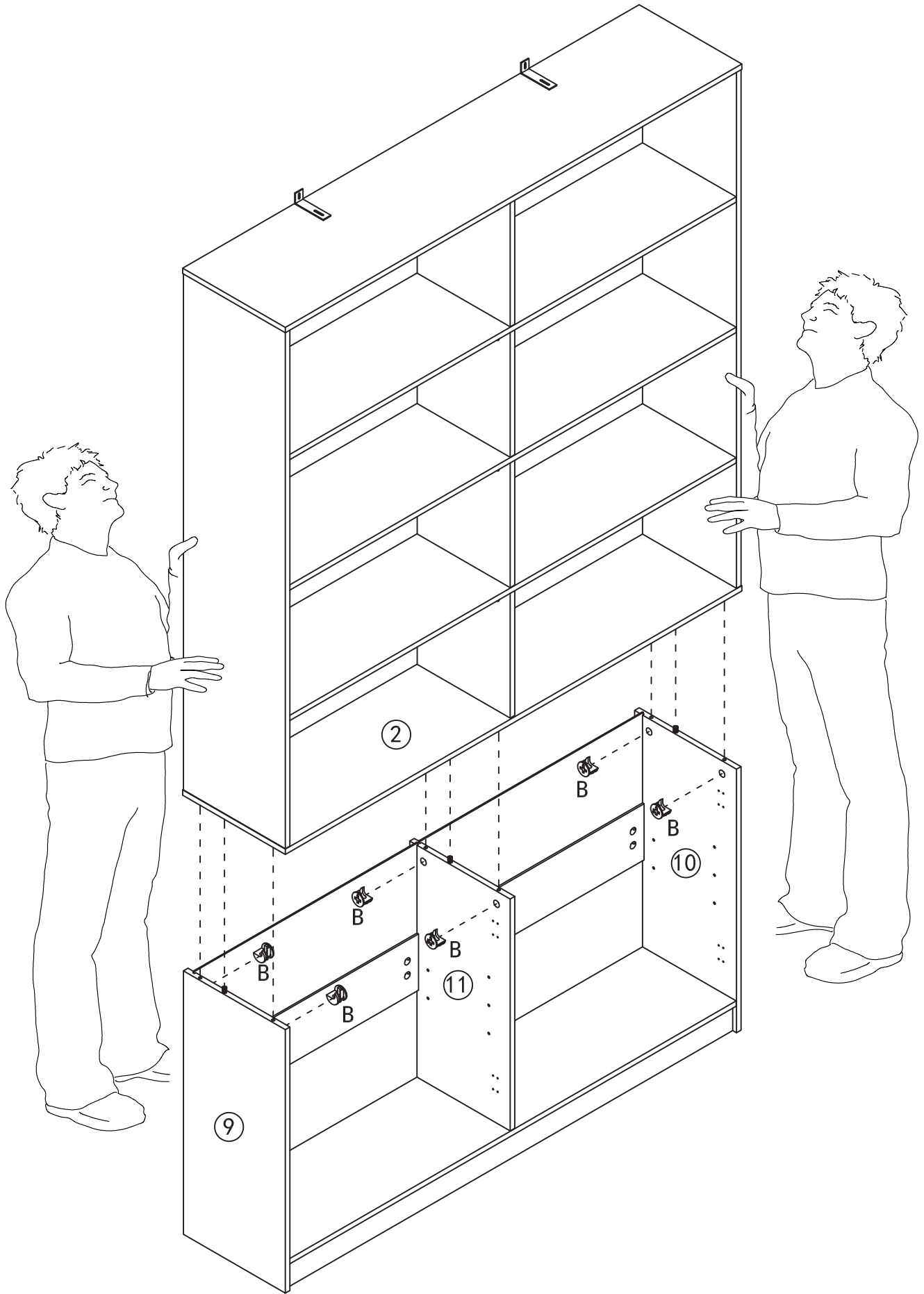
STEP 24



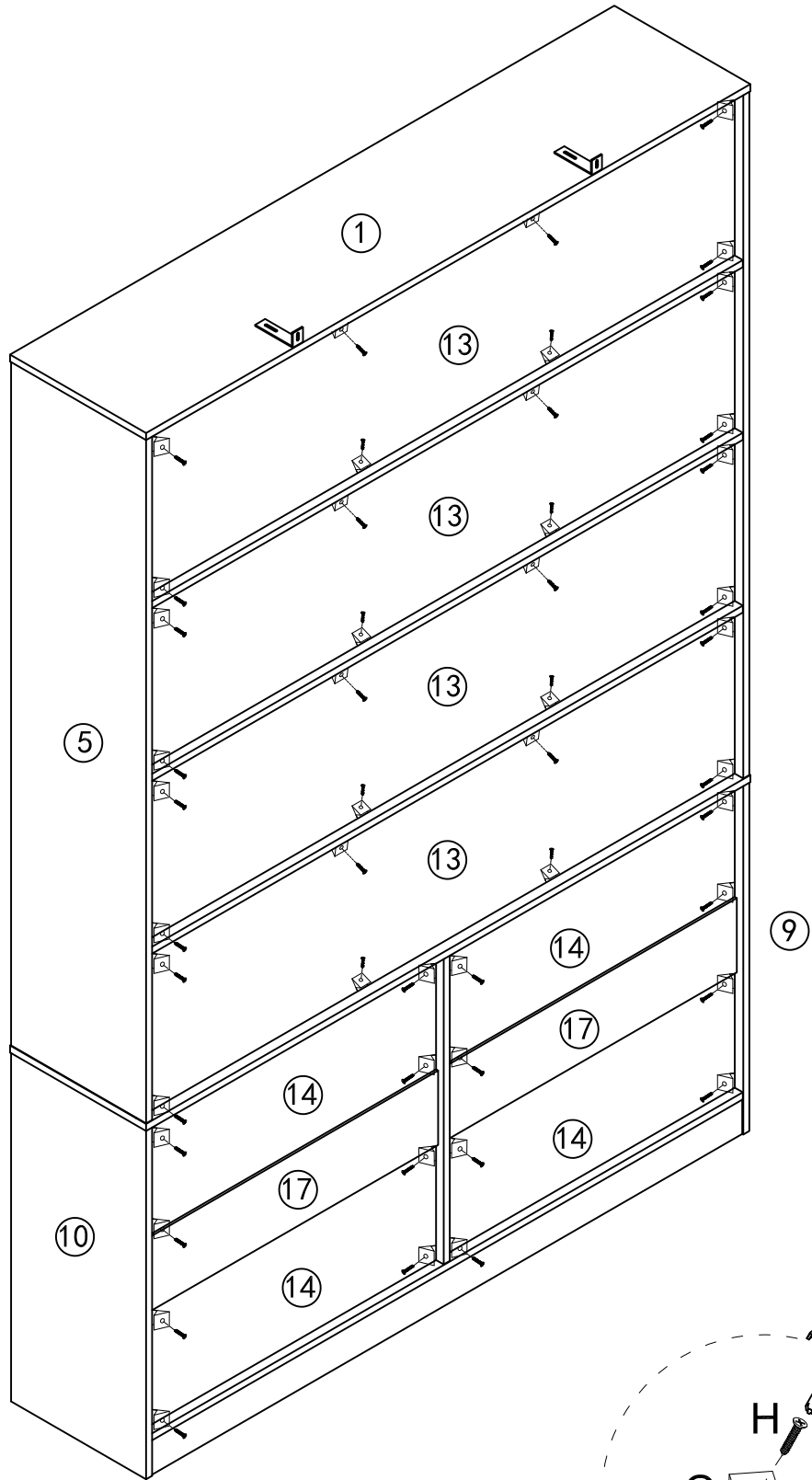
STEP 25





STEP 26

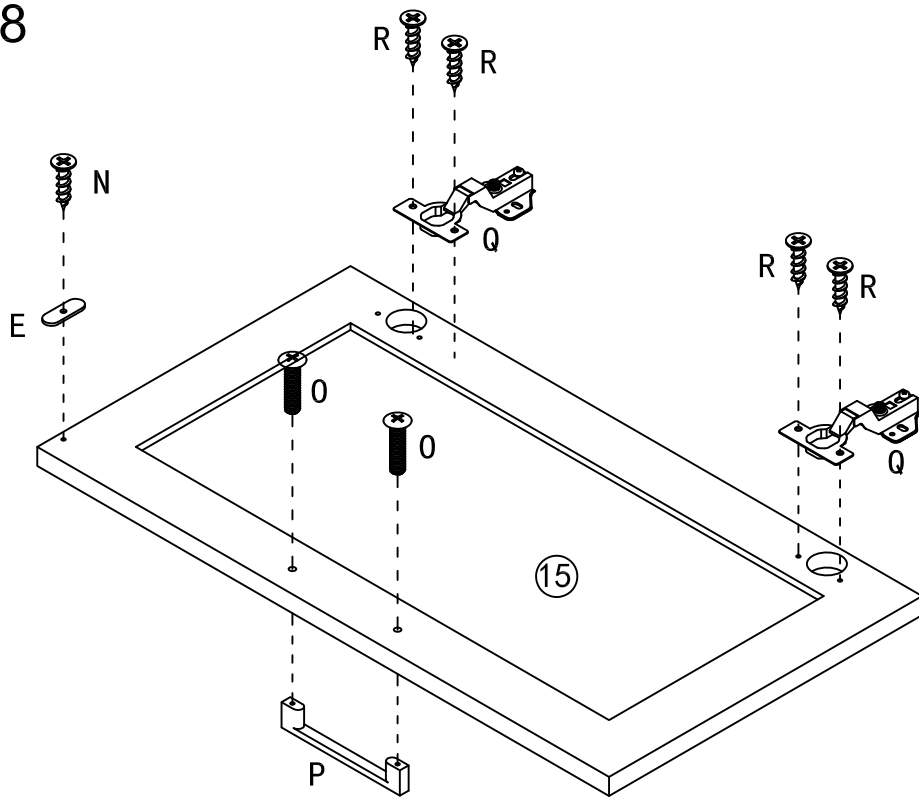


STEP 27



	G*48PCS		H*48PCS
---	---------	---	---------

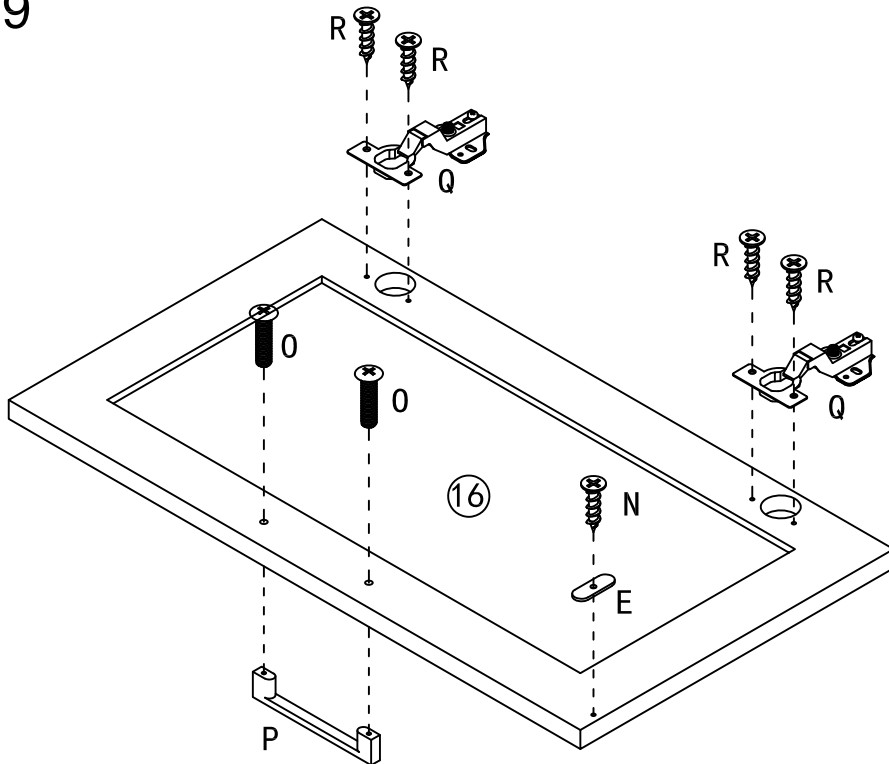
STEP 28



	P*2PCS		Q*4PCS		R*8PCS
	E*2PCS		N*2PCS		O*4PCS

X2

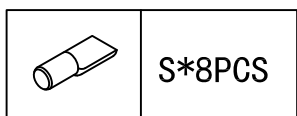
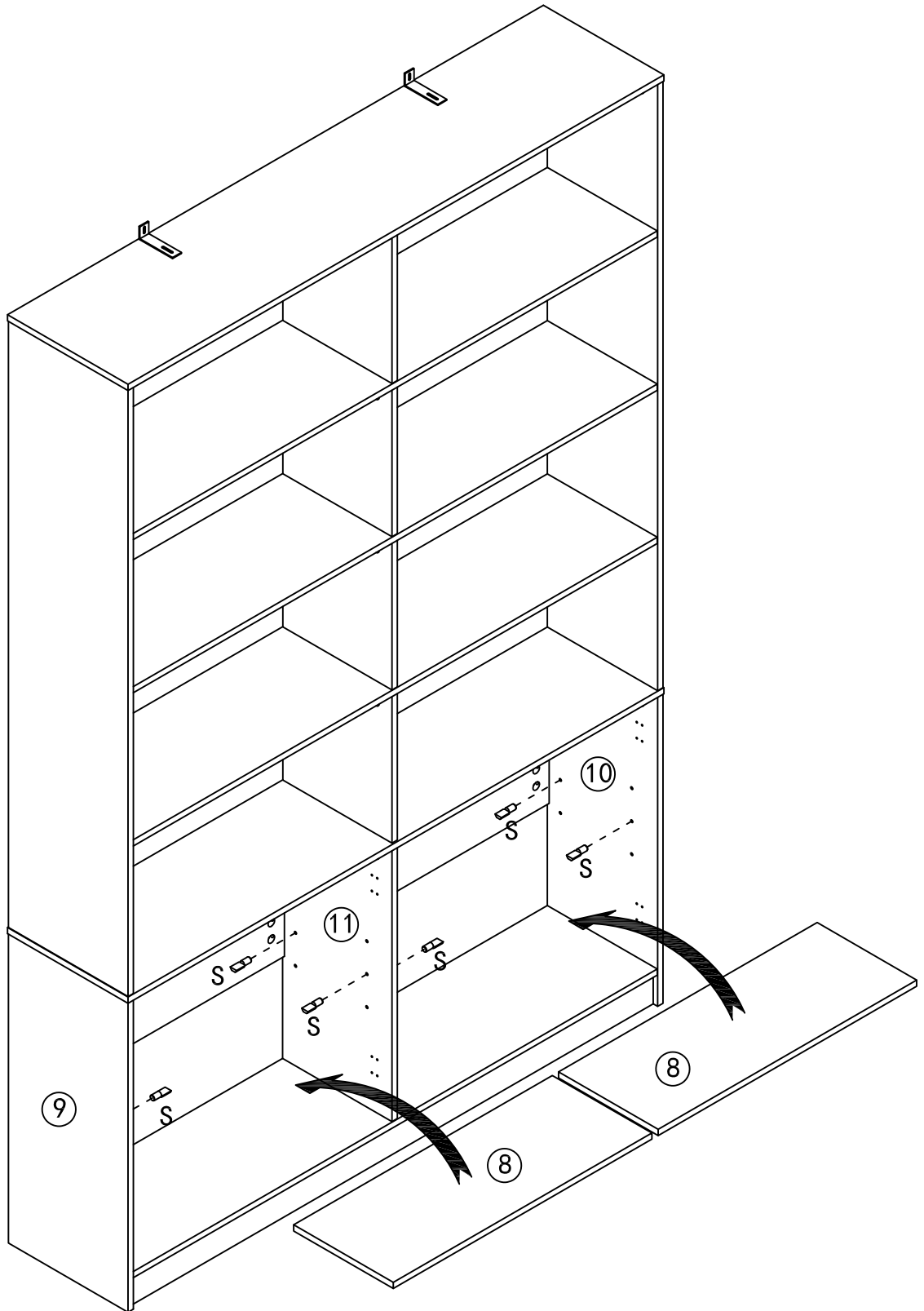
STEP 29



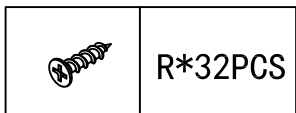
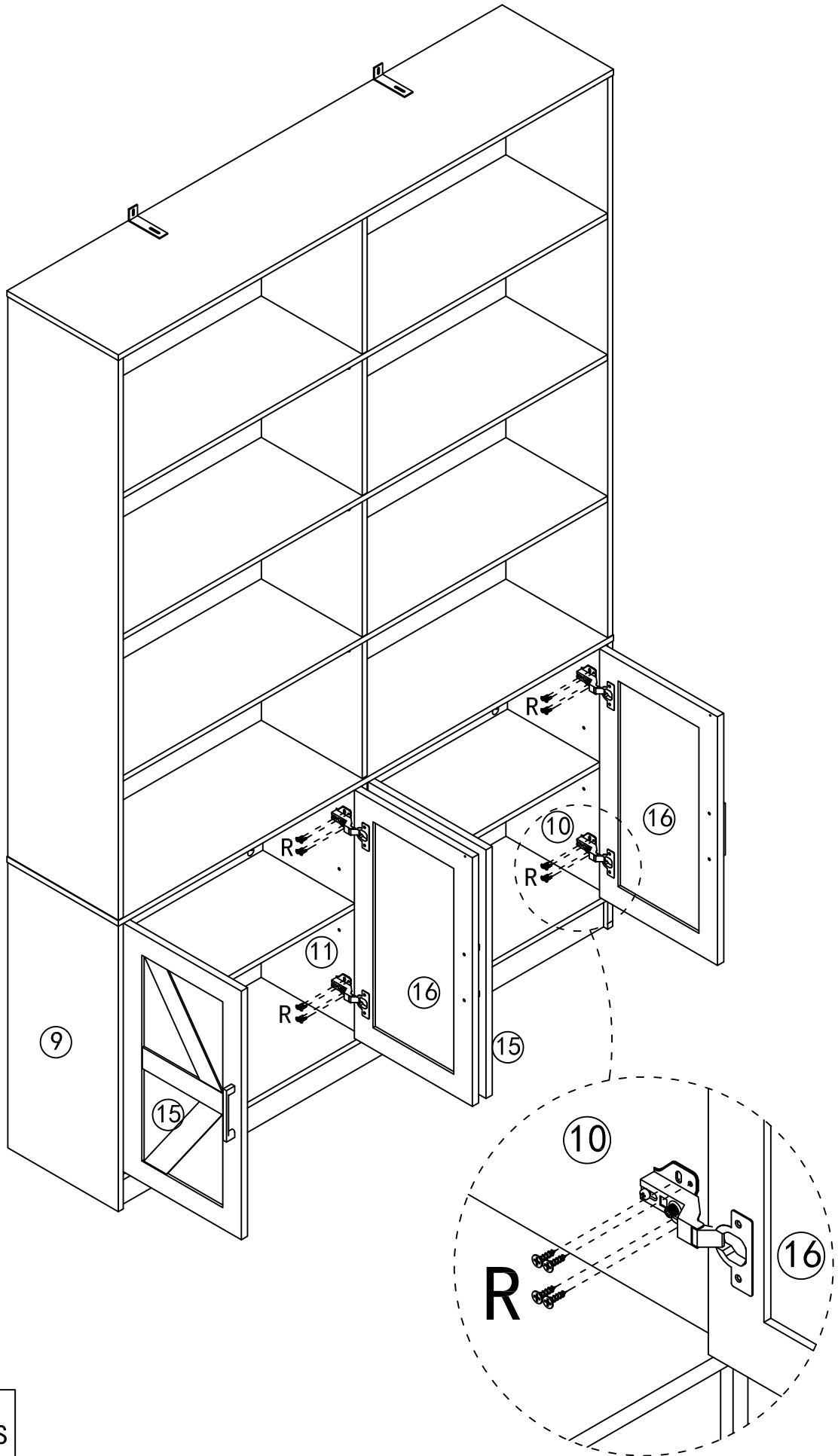
	P*2PCS		Q*4PCS		R*8PCS
	E*2PCS		N*2PCS		O*4PCS

X2

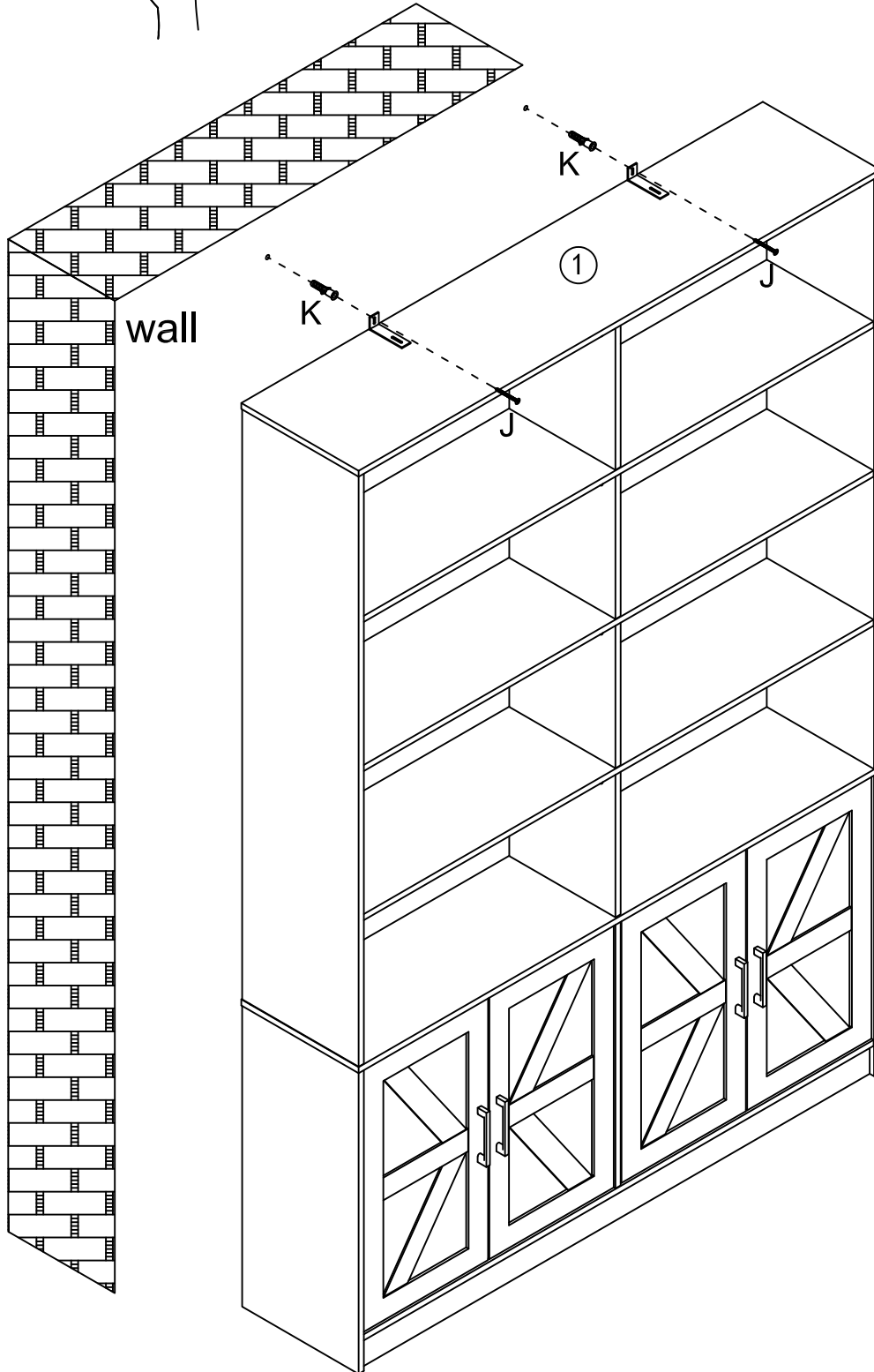
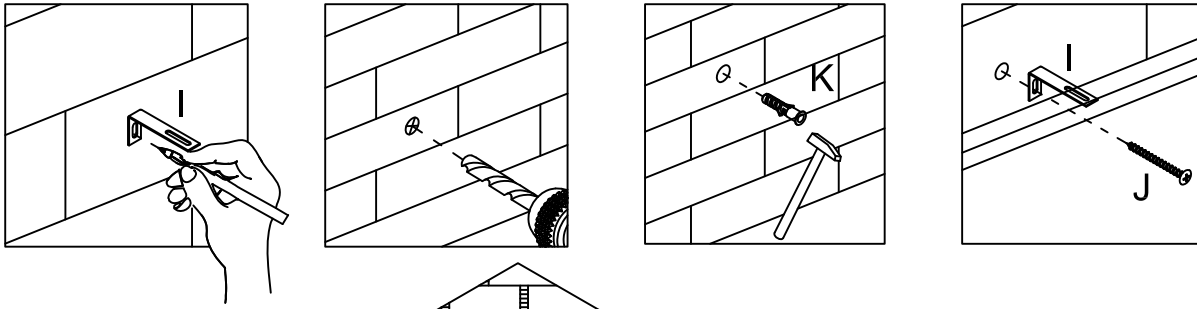
STEP 30





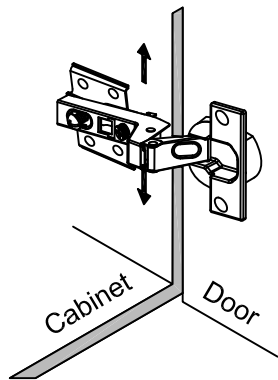
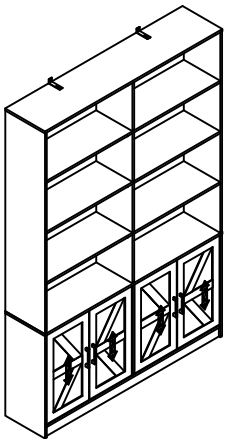
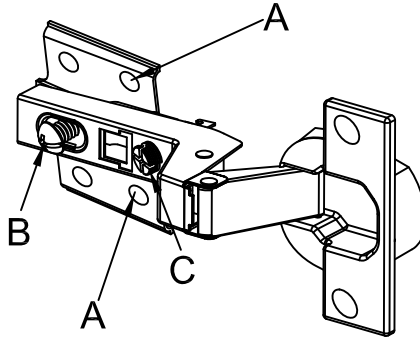
STEP 31



STEP 32

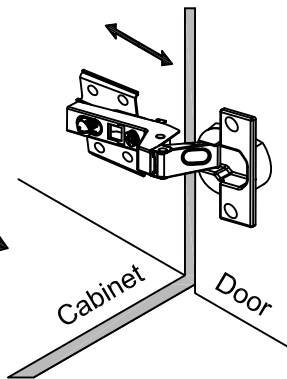
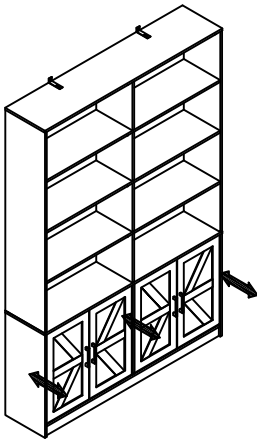


	J*2PCS		K*2PCS
---	--------	---	--------



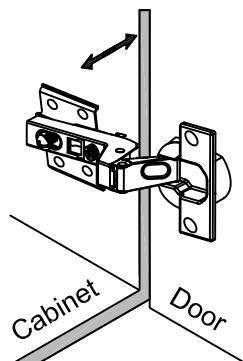
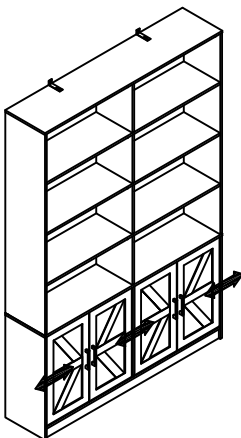
To adjust the vertical height.

Loosen the four screws "A" on both hinges. Two of them are usually in slotted holes which allows you to adjust up or down by a few mm. Then tighten back up.



To adjust depth.

Loosen screw "B" and adjust door, if the door can not be adjusted, please loosen screw "C", then try again. Tighten screw "B" and "C".



To adjust side ways.

Turning the screw "C" on BOTH hinges on each door.