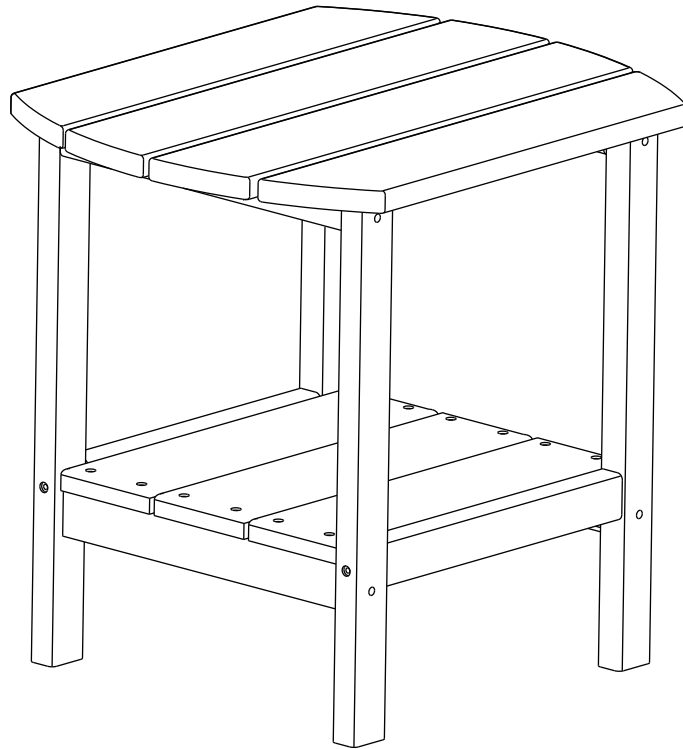


SIDE TABLE



Assembly Consideration

Do not overtighten screws(Screw in all screws before tighten them)

Follow Assembly Instructions Step by Step

Do not discard original packaging if your received items damaged or with missing parts



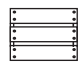




Count all Hardware parts before starting assembly

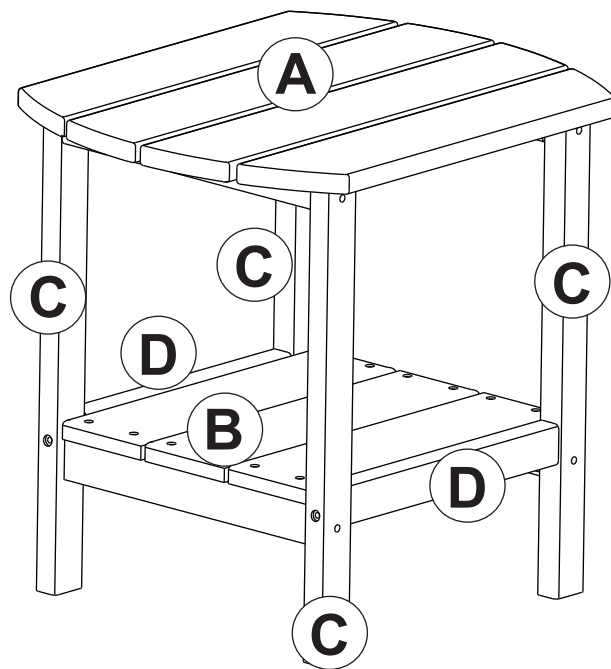
Assemble items in a clear area and away from clutter to avoid misplacing assembly items



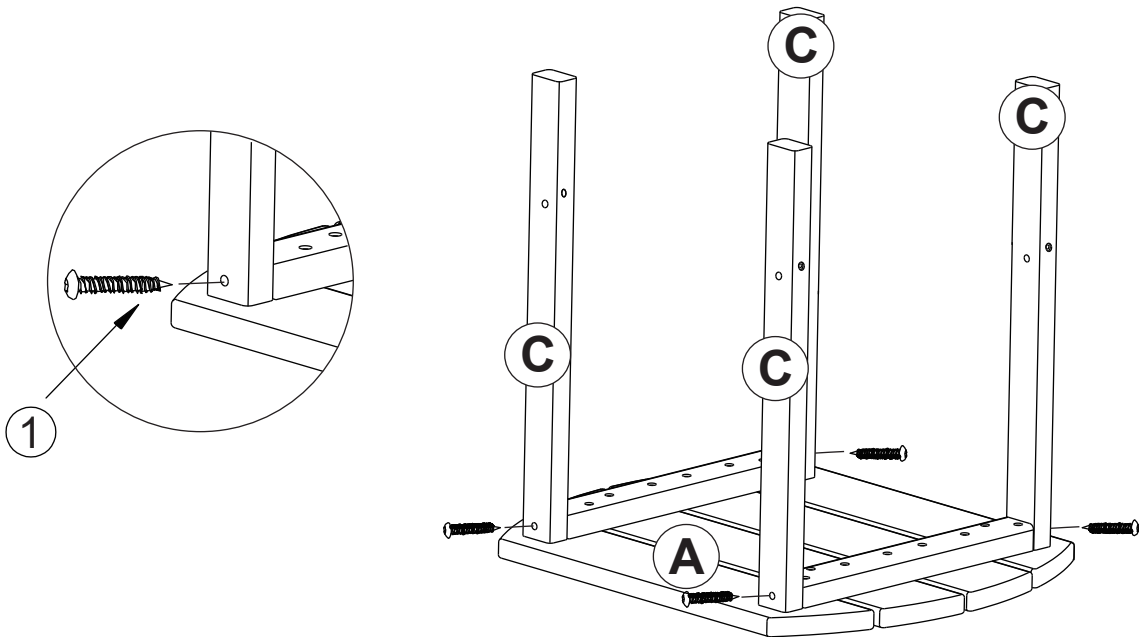
Safety Precautions

Avoid Using strong powertools to help prevent parts from cracking when assembly

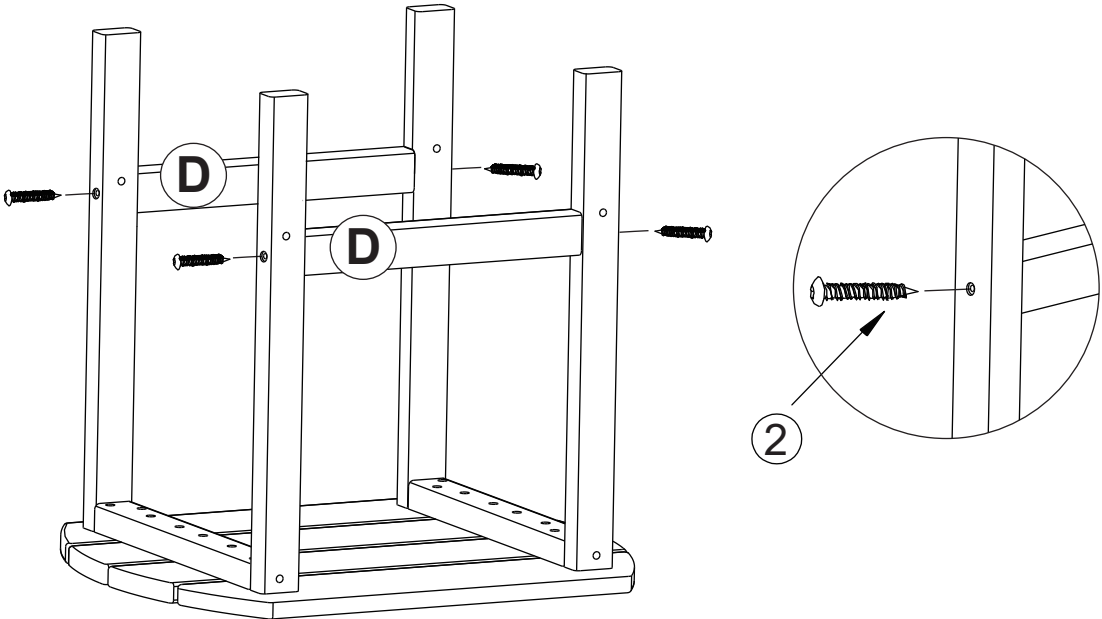
A		1pc	1	 M6X50	8pcs
B		1pc	2	 M6X60	4pcs
C		4pcs	3		1pc
D		2pcs			



STEP:1



STEP:2



STEP:3

