



Mini Standard Single & Double Barn Door Hardware

**Installation Manual**



# SAFETY PRECAUTIONS

## ⚠ WARNING!

- Power tools can cause serious damage if not professionally used. Safety gear must be worn before installation to prevent unexpected injuries.
- Pick an area free of hazardous condition before you start on the project. Please use tools and power tools responsibly any loss of control and accident deaths may occur due to abuse of tools.
- Please make sure all hardware is secured on to the door is sufficiently tight. Doors with loose hardware may result in unexpected serious injuries. To avoid any problems, be sure hardware is secure before door is put on the track.
- All hardware provided is for safety reasons. Anti-Jump systems are to prevent doors from falling off the track while in use. Please follow each instruction carefully. Track must be installed on studs in order to keep the track and doors secure from serious problems. All safety hardware and instructions included in this project must be used and followed specifically to prevent any unforeseen serious problems.

## !CAUTION!

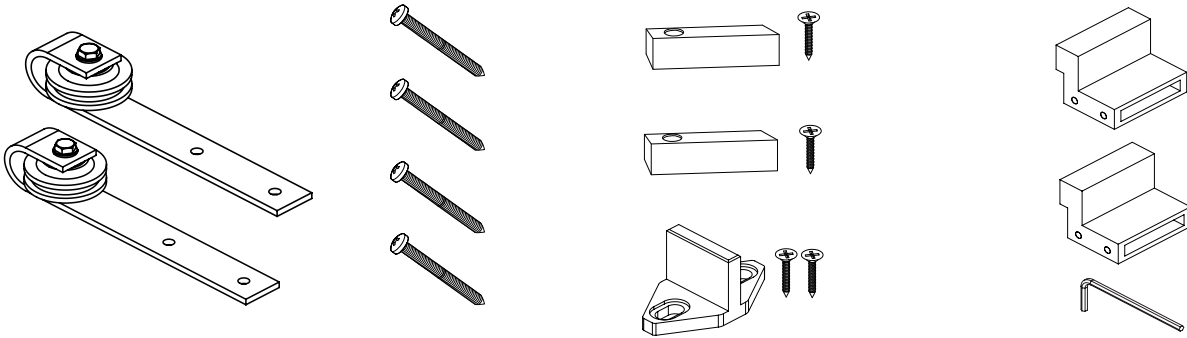
- Big objects required in this project are needed to be carefully and responsibly moved. Be sure to wear safety gloves and shoes to prevent any serious injury.
- Be extremely careful to not put any parts of your body against a moving part of the hardware. This may cause bruising, punctures, and other results of injuries when for example when fingers are caught in the closing area of the doors.
- Precautions should be taken when opening or closing the door(s). Handles should be used when attempting to slide the door(s). Always keep you and children aware and safe from any unexpected situations.
- Any extreme uncontrolled pressure opening or closing the door(s) can damage the hardware gradually. Use handle(s) to open and close the door(s) with care at all times.

# HARDWARE INCLUDED

**Different track length comes with different hardware quantity.  
Please be sure to check the hardware you should have before installation.**

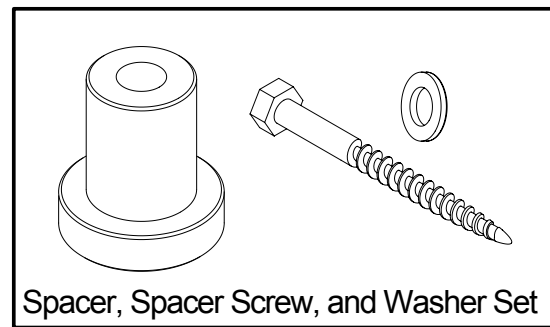
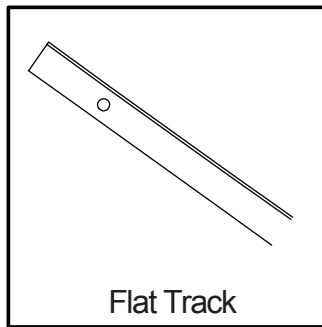
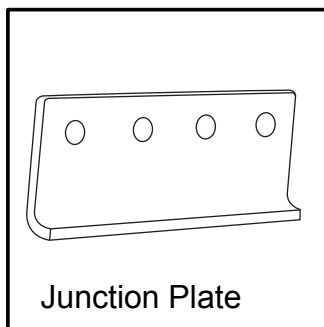
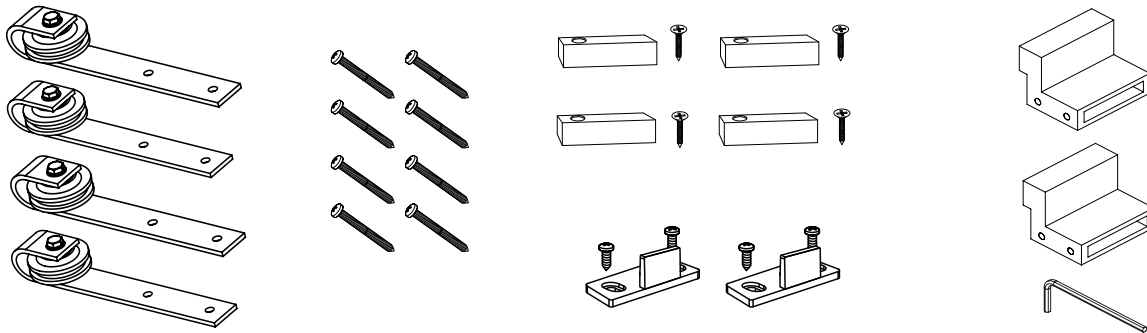
## Single Door Hanger/Roller Box contains:

Mini Steel Hanger/Roller (2)    Hanger/Roller Screw (4),    Anti-Jump Pad (2), Floor Guide (1)    Door Stopper (2), Hex Wrench (1)



## Double Door Hanger/Roller 2 Box contains:

Mini Steel Hanger/Roller (4),    Hanger/Roller Screw (8),    Anti-Jump Pad (4), Floor Guide (2)    Door Stopper (2), Hex Wrench (1)

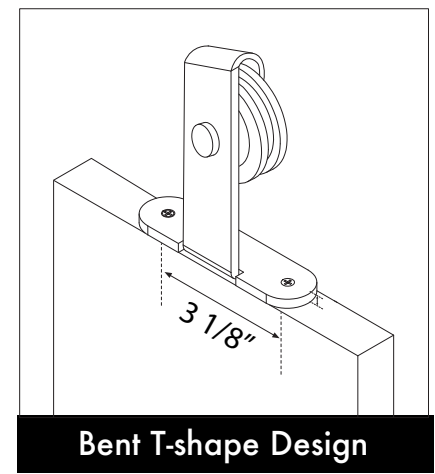
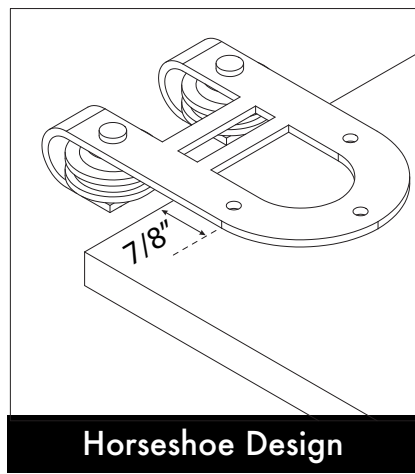
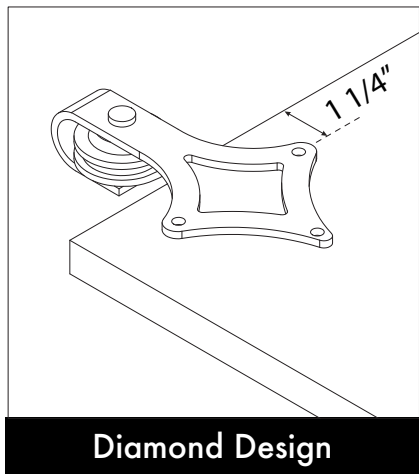
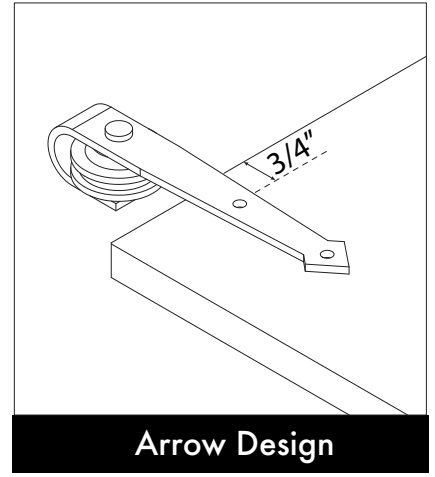
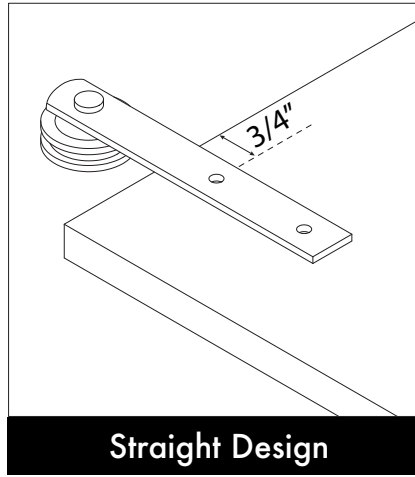
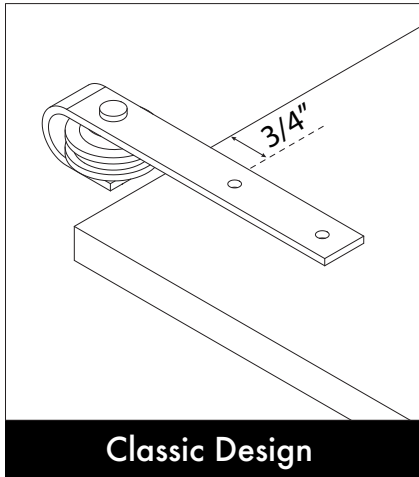


## HARDWARE CHECKLIST

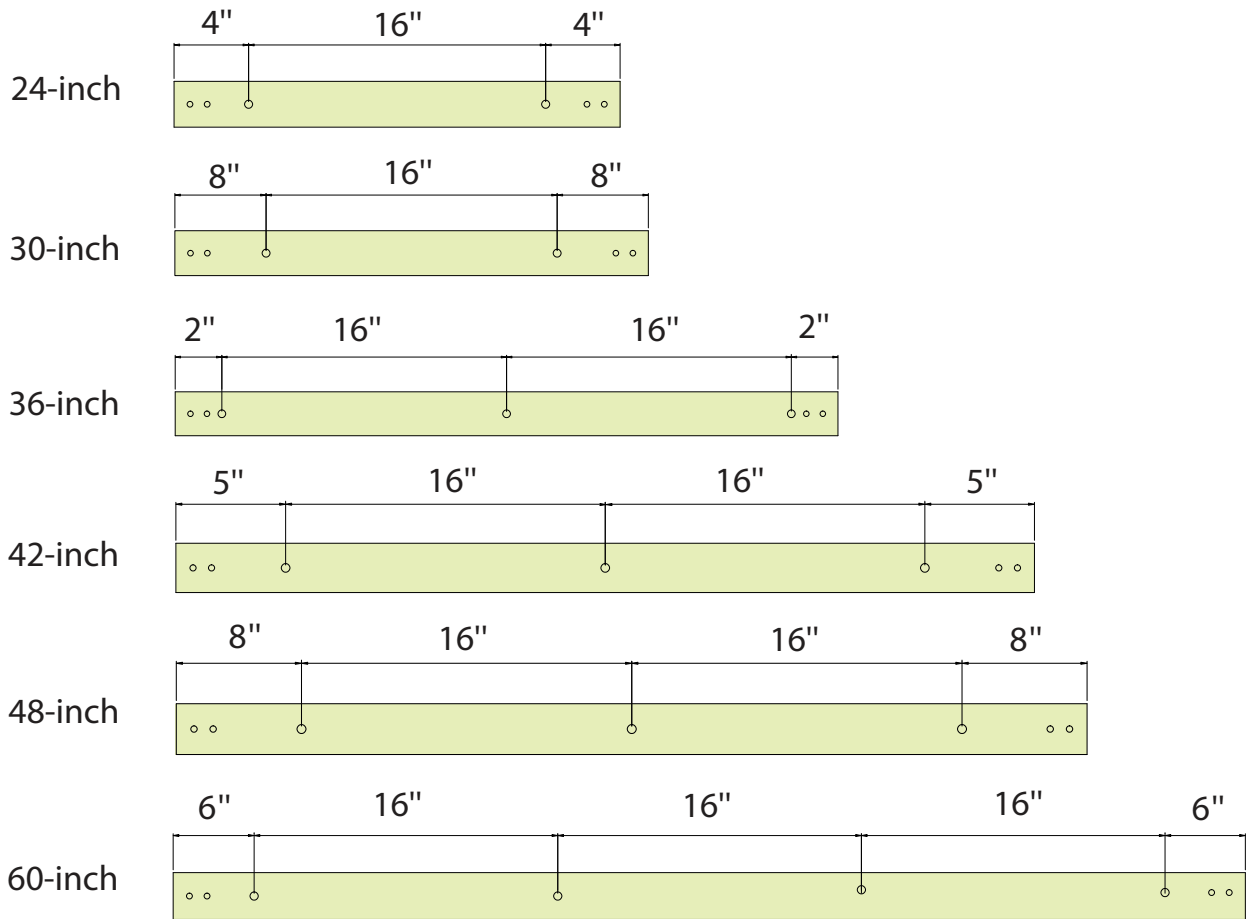
Track Measurement	Single Set Hanger/Roller Box or Double Set Hanger/Roller Box		Flat Track	Spacer, and Spacer Screw	Junction Plate
24in.	1	or 2	1	2	0
30in.	1	or 2	1	2	0
36in.	1	or 2	1	3	0
42in.	1	or 2	1	3	0
48in.	1	or 2	1	3	0
54in.	1	or 2	2	4	1
60in.	1	or 2	1	4	0
66in.	1	or 2	2	5	1
72in.	1	or 2	2	6	1
78in.	1	or 2	2	6	1
84in.	1	or 2	2	6	1
90in.	1	or 2	2	6	1
96in.	1	or 2	2	7	1
102in.	1	or 2	2	7	1
108in.	1	or 2	3	8	2
114in.	1	or 2	2	8	1
120in.	1	or 2	2	8	1

# TYPE OF ROLLERS

Please follow the measurement stated below, measuring from the top of the door to the center of the first hole.



# TRACK LENGTH DETAIL

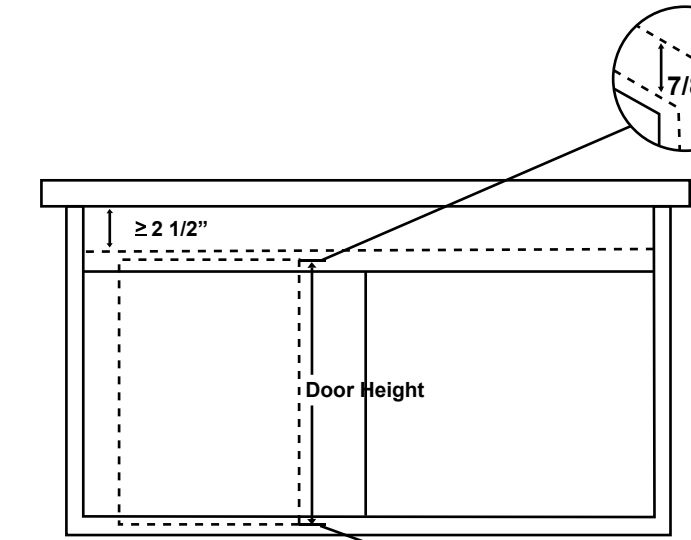


## Track Sizes Notice

If you do not see your track size here it means that it consists of 2 or more tracks combined using the above pre-made tracks. If you have custom made your tracks they may not be the same measurement as the above tracks. Track sizes sold on our website consist of 2 or more track are listed below.

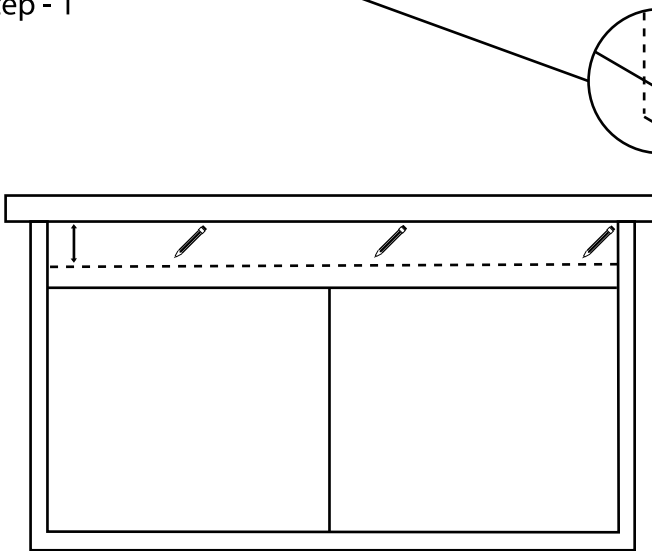
54in	66in	72in	78in	84in	90in
96in	102in	108in	114in	120in	

# INSTRUCTIONS



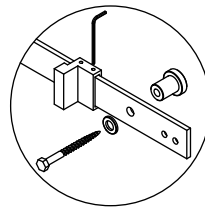
Step - 1

Draw a horizontal line using the following formula ( $1/2'' + \text{Door height} + 7/8''$ ). This line will be used as the center line of the track. Make sure to leave out at least  $2-1/2''$  clearance for the top of the roller.

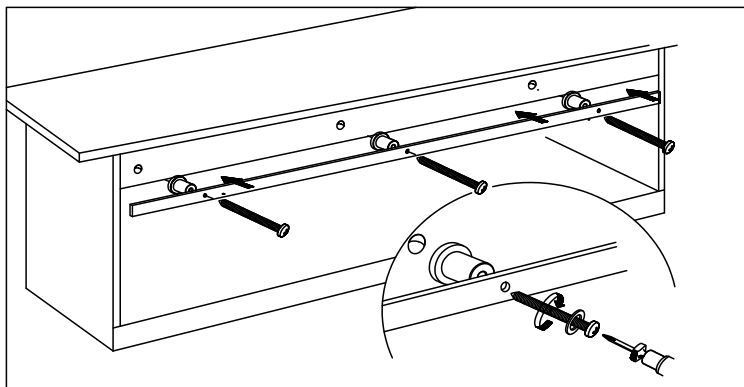


Step - 2

Attach the track on to the line you drew in the step 1 and mark down the positions for all the holes. Then install the door stopper in an approximate location of where you want the door to stop.

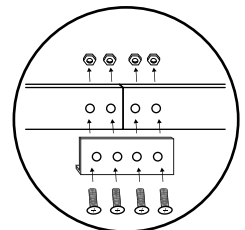


**Notice:** The reason of installing the door stoppers before mounting the second hole is to avoid taking off the already installed bolts and spacers if you decide to install the stoppers between the two holes. The door stoppers position is adjustable between the two holes using the hex wrench.

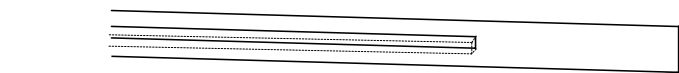


Step - 3

If your track comes in 2pcs or more, install the junction plate on to each two tracks like the diagram shown here.

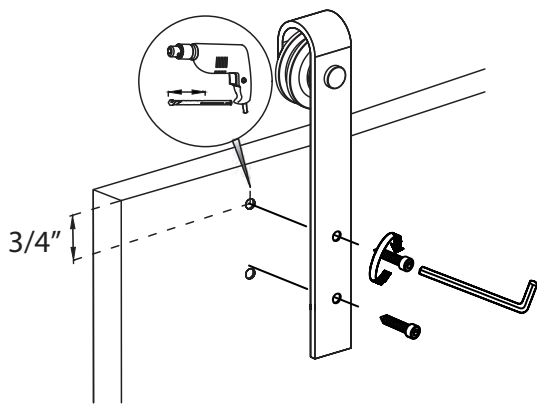


Drill previously marked holes and install the spacer screws and spacers onto the holes as shown in the picture.



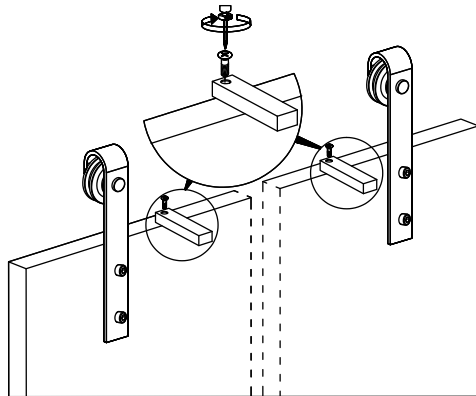
Step - 4

Open a slot that is  $1/4''$  wide and  $13/16''$  deep at the bottom of the door with a router. This groove will be used with the floor guide.



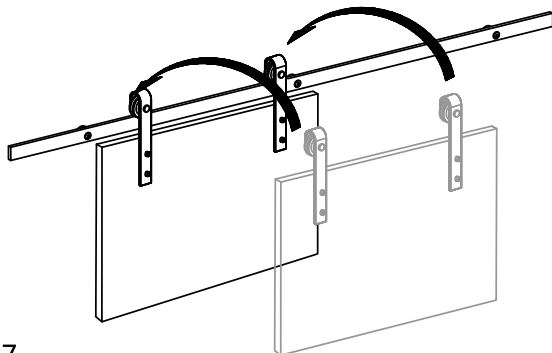
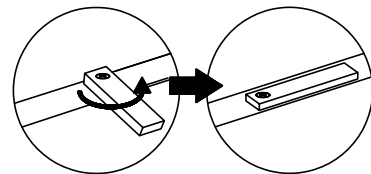
Step - 5

Drill the holes for the roller according to the dimension given in the picture with the straight hanger/roller with the hanger screws provided. Attach the roller to the door using hex wrench as shown in the picture.



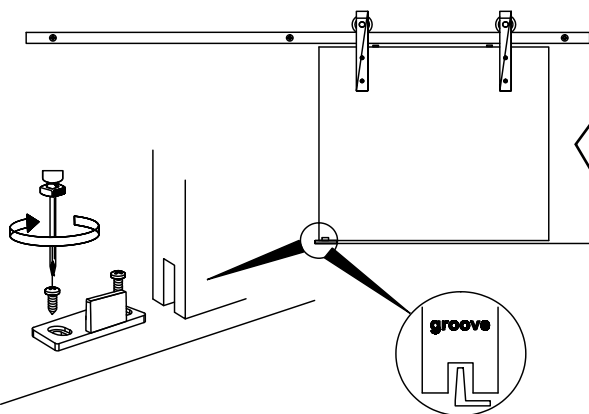
Step - 6

Install the anti-jump pads as shown in the picture. Then tilt it until it lines up with the door.



Step - 7

Lift your door at a slight angle and rest both wheel grooves onto the top of the track carefully.



Step - 8

Usually floor guides are installed at the corner of the opening for single & double door hardwares but we recommend to install the regular floor guide in your own location preference depending on how you want your door to slide. After the door is hung on to the track you will be able to locate where you want the floor guide to be installed according to your decision of sliding.

Notice: If you have two doors you can repeat from step 4 to step 8 again for the second door installation.

**YOUR INSTALLATION IS COMPLETE!**



## **SLIDING HARDWARE / BARN DOORS**

High Quality • Exquisite Design • Outstanding Services

### **ABOUT US**

At Homacer, our goal is to provide the finest sliding barn door hardware products and services for our valued customers. We keep polishing our products to make their quality better, prices lower and installation easier. We make it possible for you to get everything you need from us when you think about installing sliding barn doors.

### **CONTACT US**

Office #: 1(770) 864-5437

Website: [www.homacer.com](http://www.homacer.com)

Email us: [info@homacer.com](mailto:info@homacer.com)

### **LOCATION**

1885 Beaver Ridge Cir, Ste A  
Norcross, GA 30071