

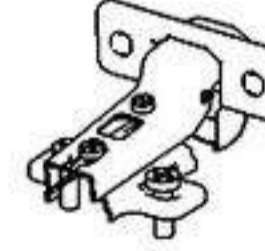
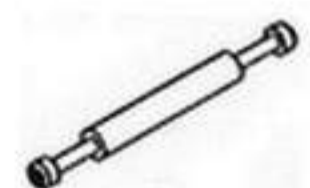

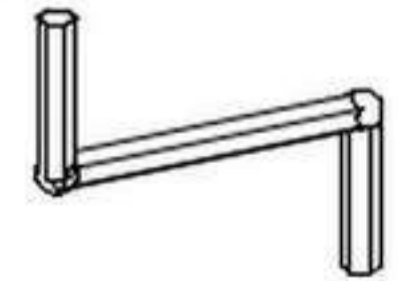


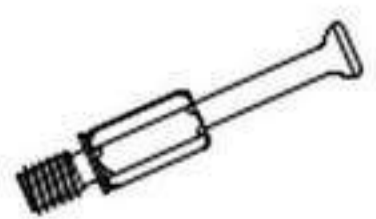

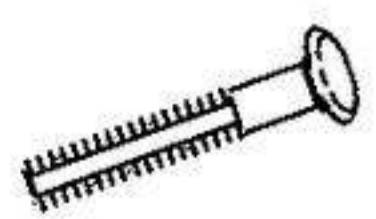








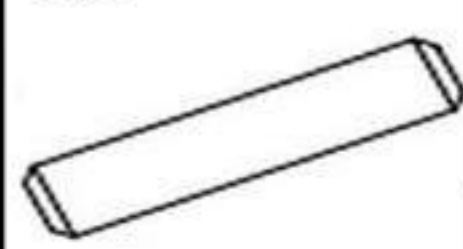
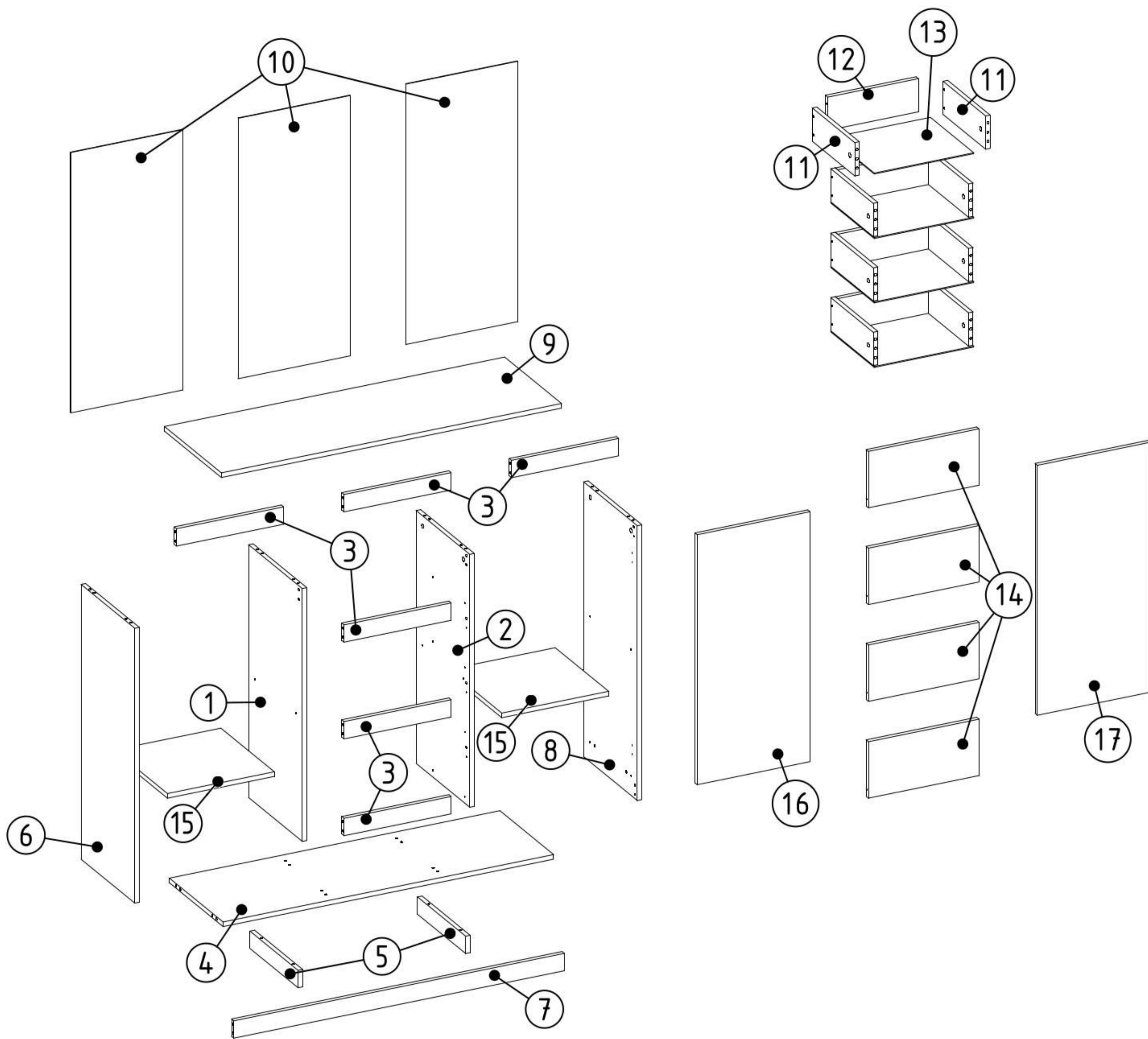




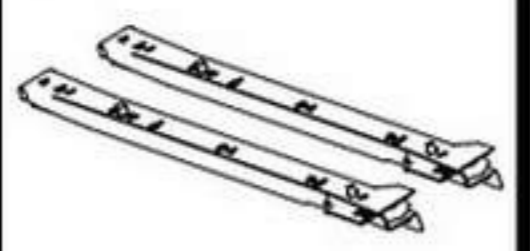


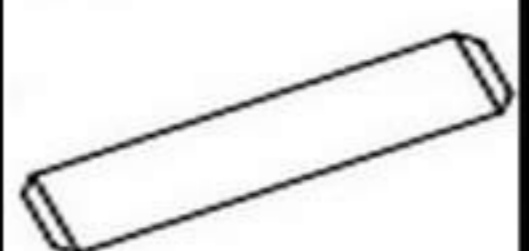
S5  2,5x20 x 10	F2  x 4	A0  x 4	N3  L=76 x 2		
 x 1	K1  x 1	Z4  x 10	 x 1		
N2  L=30,3 x 30	M3  x 34	E4  x 16	S1  3,5x16 x 24	E1  8x35 x 38	D2  x 8
T1  x 8	Z2  x 80	P3  L=350 x 4	S15  6x8 x 16	M2  x 8	E3  8x70 x 6

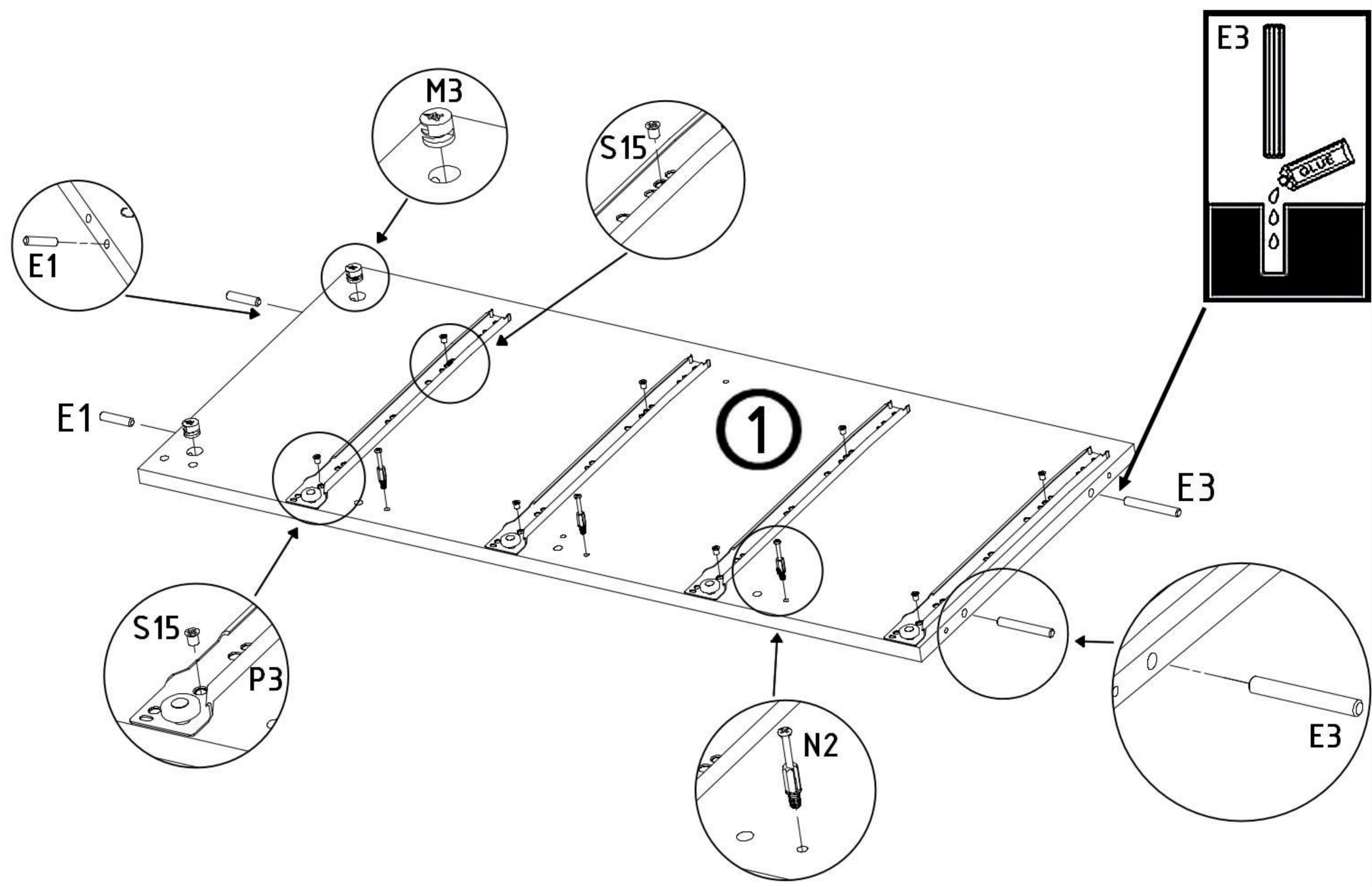



1	x 1
2	x 1
3	x 6
4	x 1
5	x 2
6	x 1
7	x 1

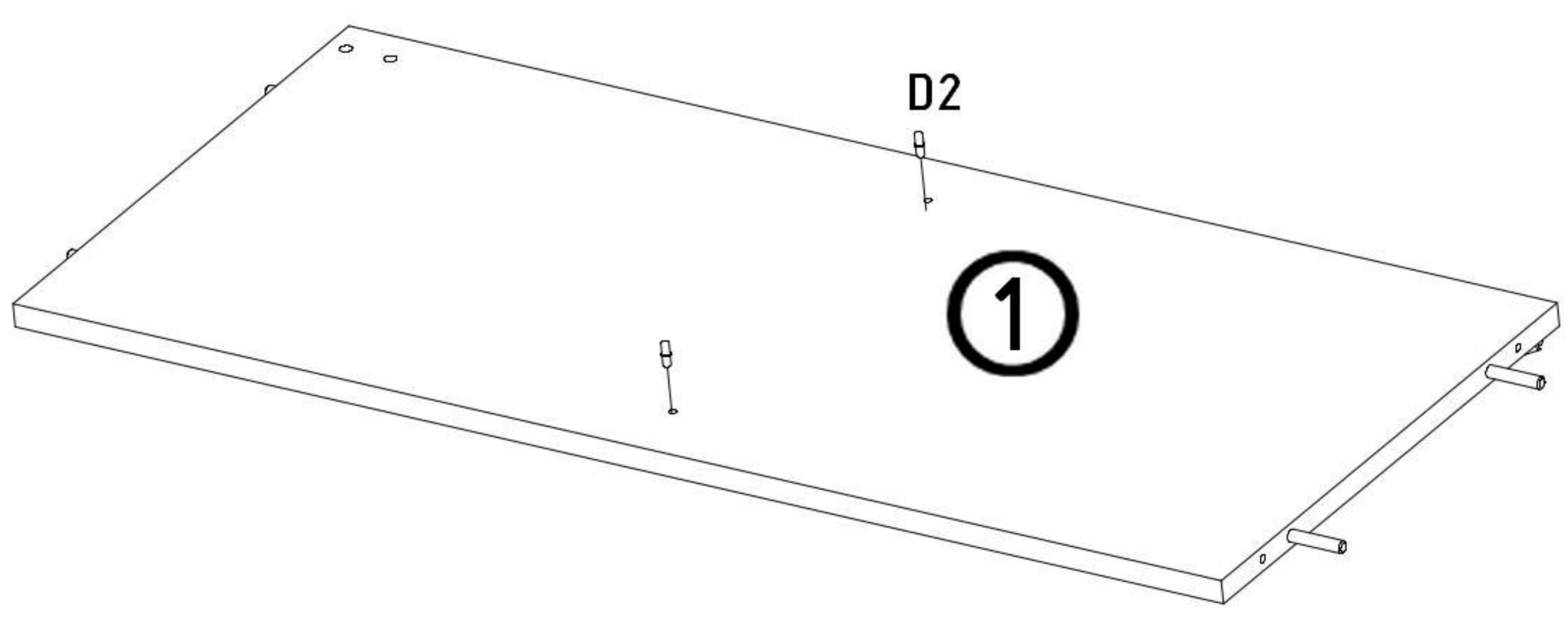
8	x 1
9	x 1
10	x 3
11	x 8
12	x 4
13	x 4
14	x 4







15	x 2
16	x 1
17	x 1

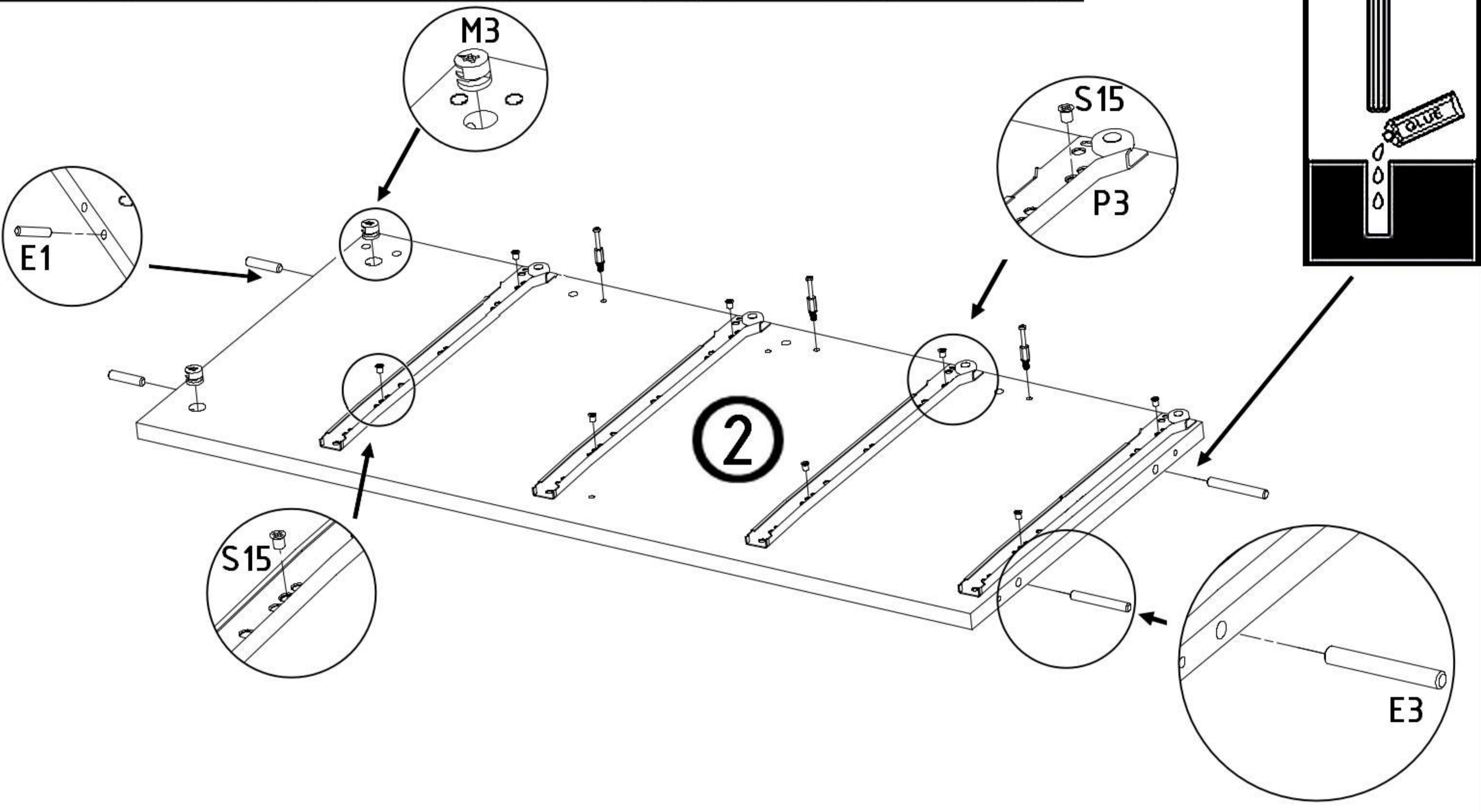
N2  L=30,3 x 3	M3  x 2	P3  L=350 x 4	S15  6x8 x 8	E1  8x35 x 2	E3  8x70 x 2
---	---	---	--	--	--




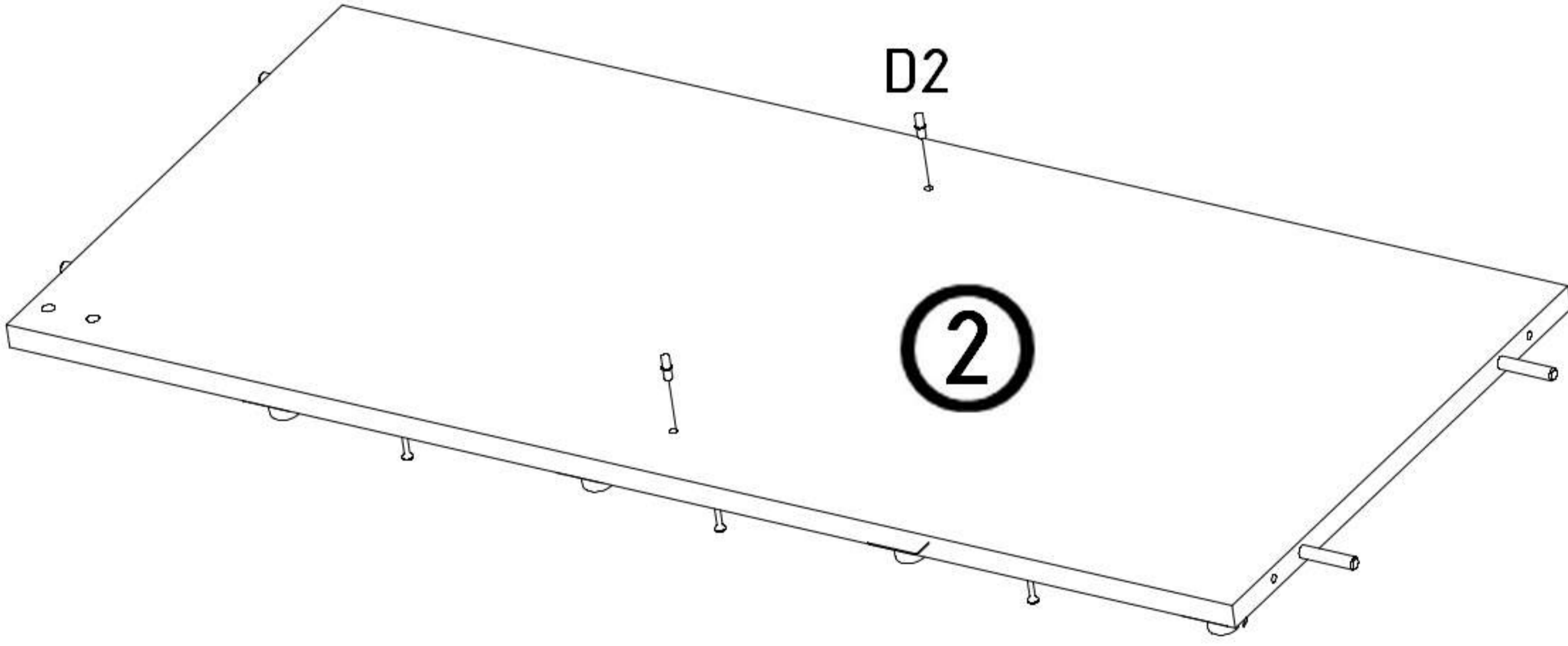
D2  x 2

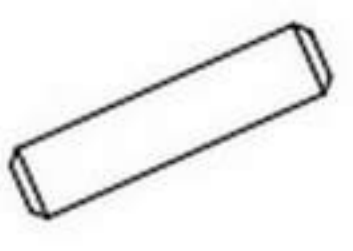



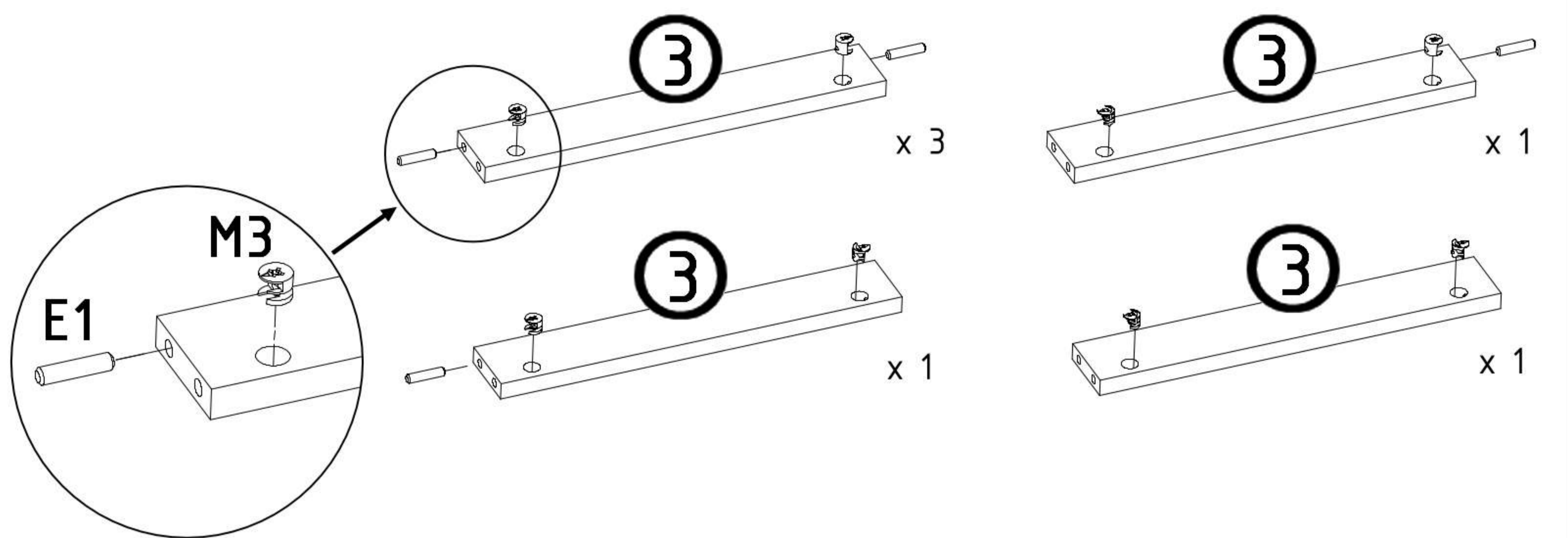
N2  L=30,3 x 3	M3  x 2	P3  L=350 x 4	S15  6x8 x 8	E1  8x35 x 2	E3  8x70 x 2
---	---	---	--	--	--


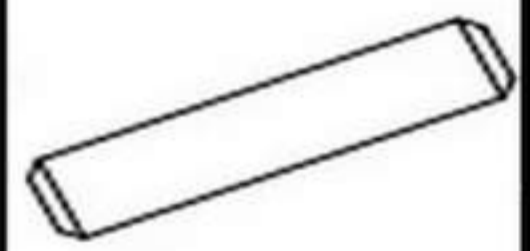


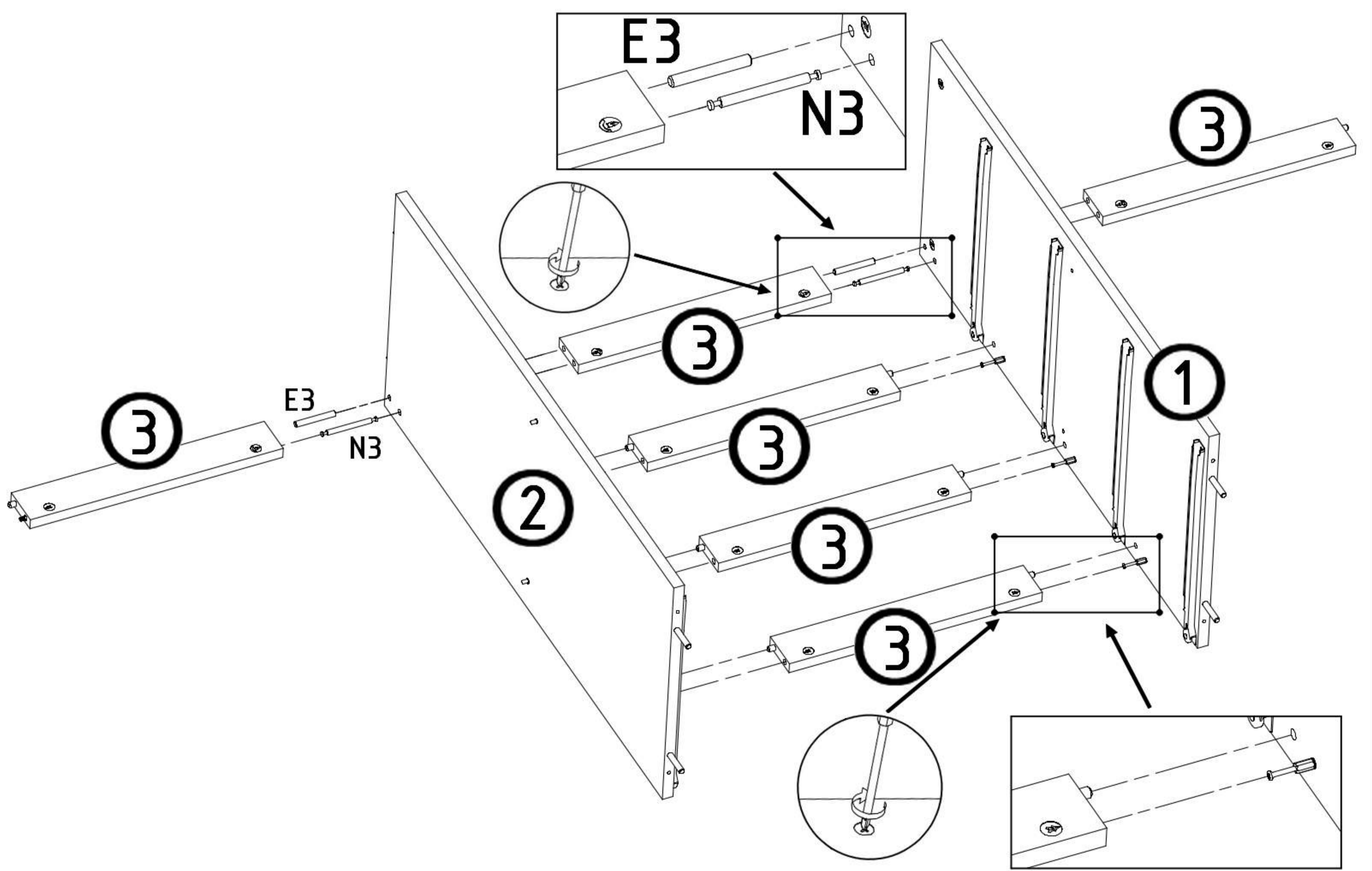
D2  x 2

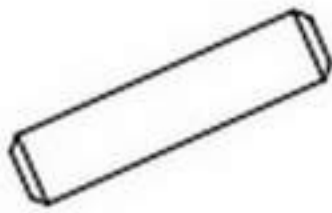



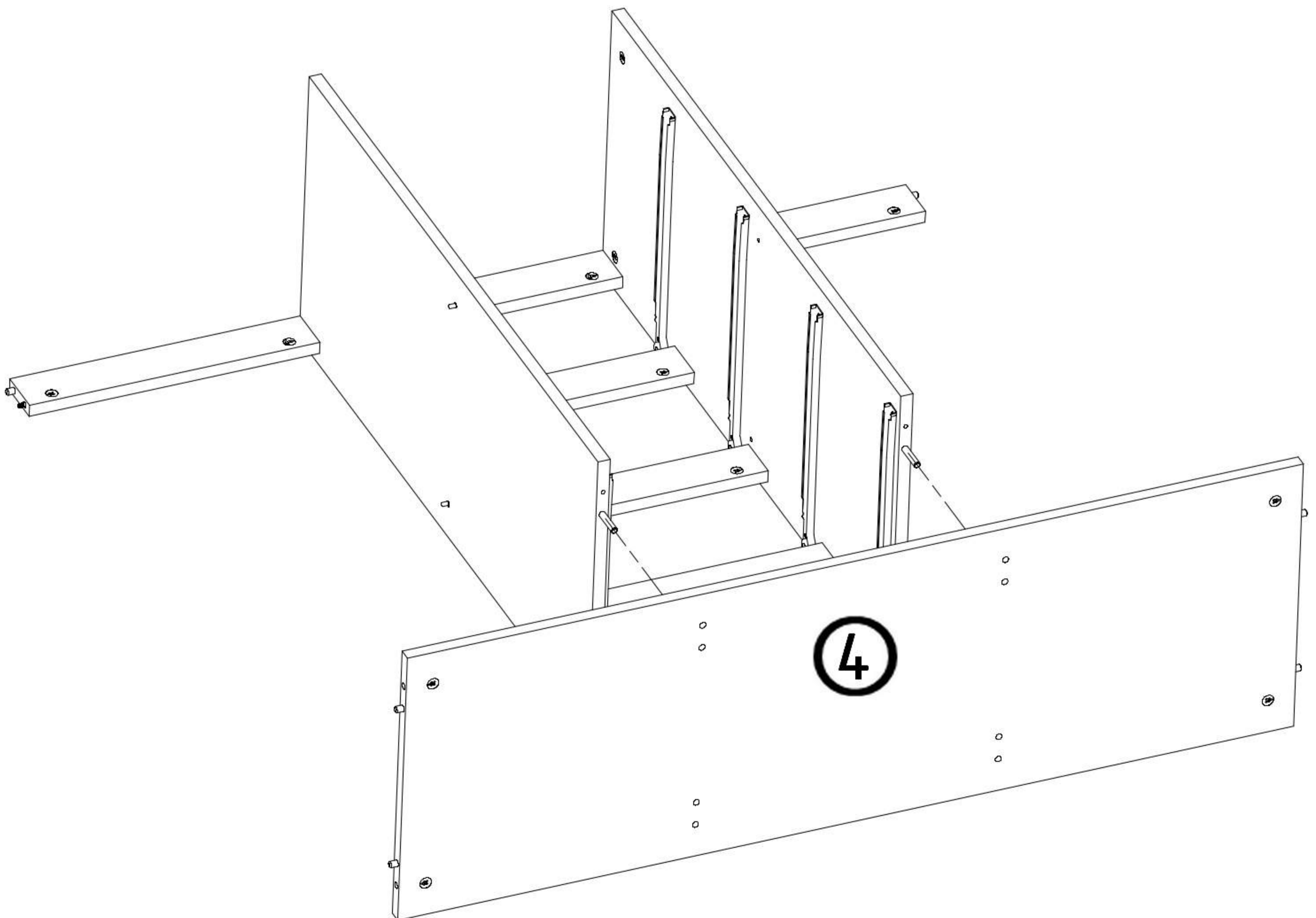
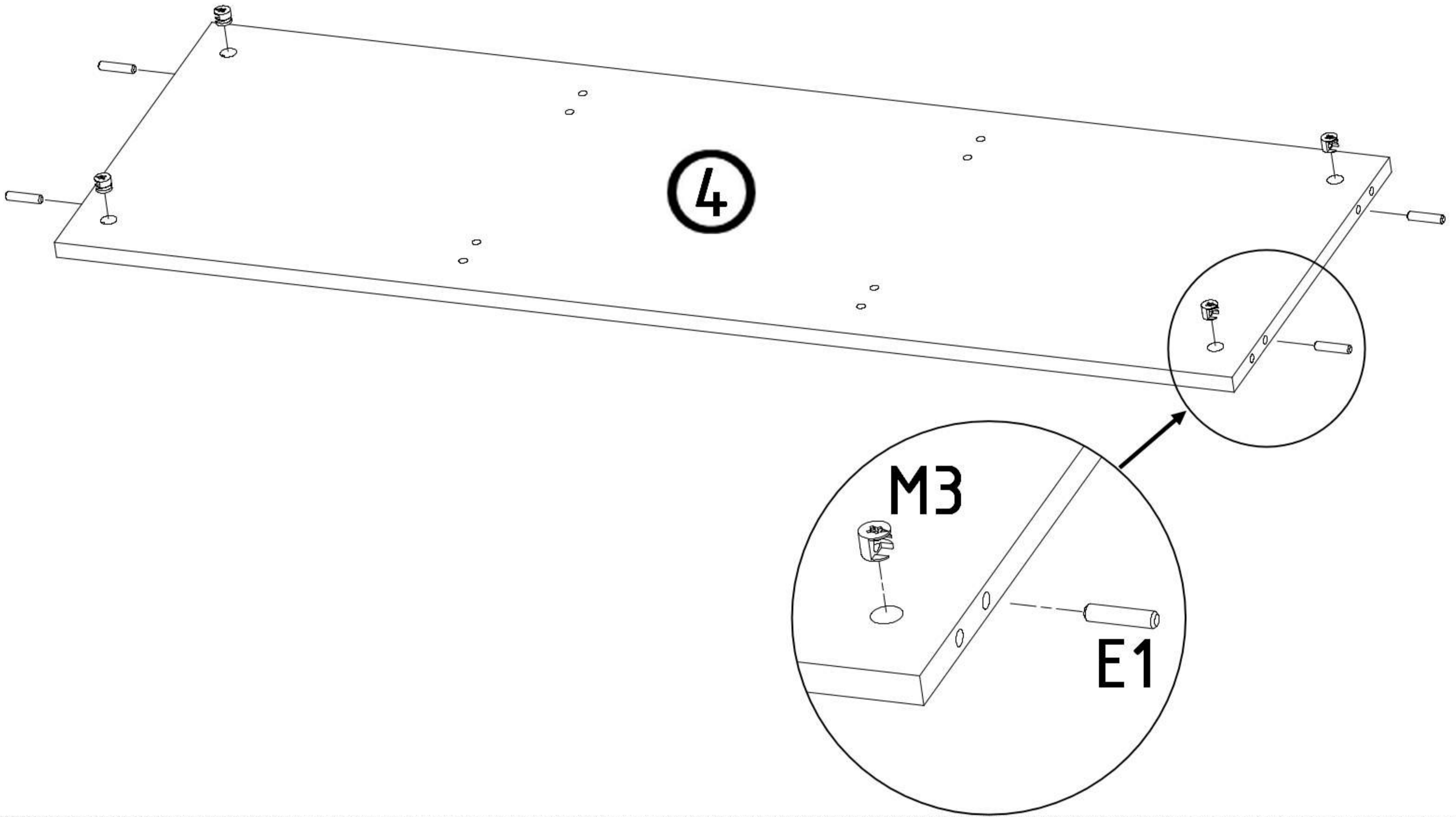
E1  8x35	M3  x 12
x 8	x 12


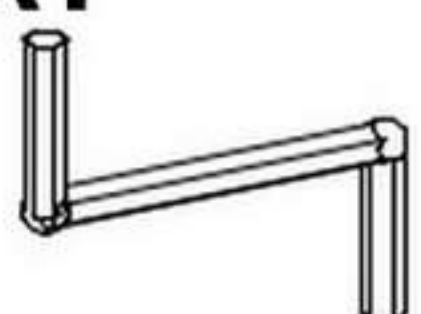


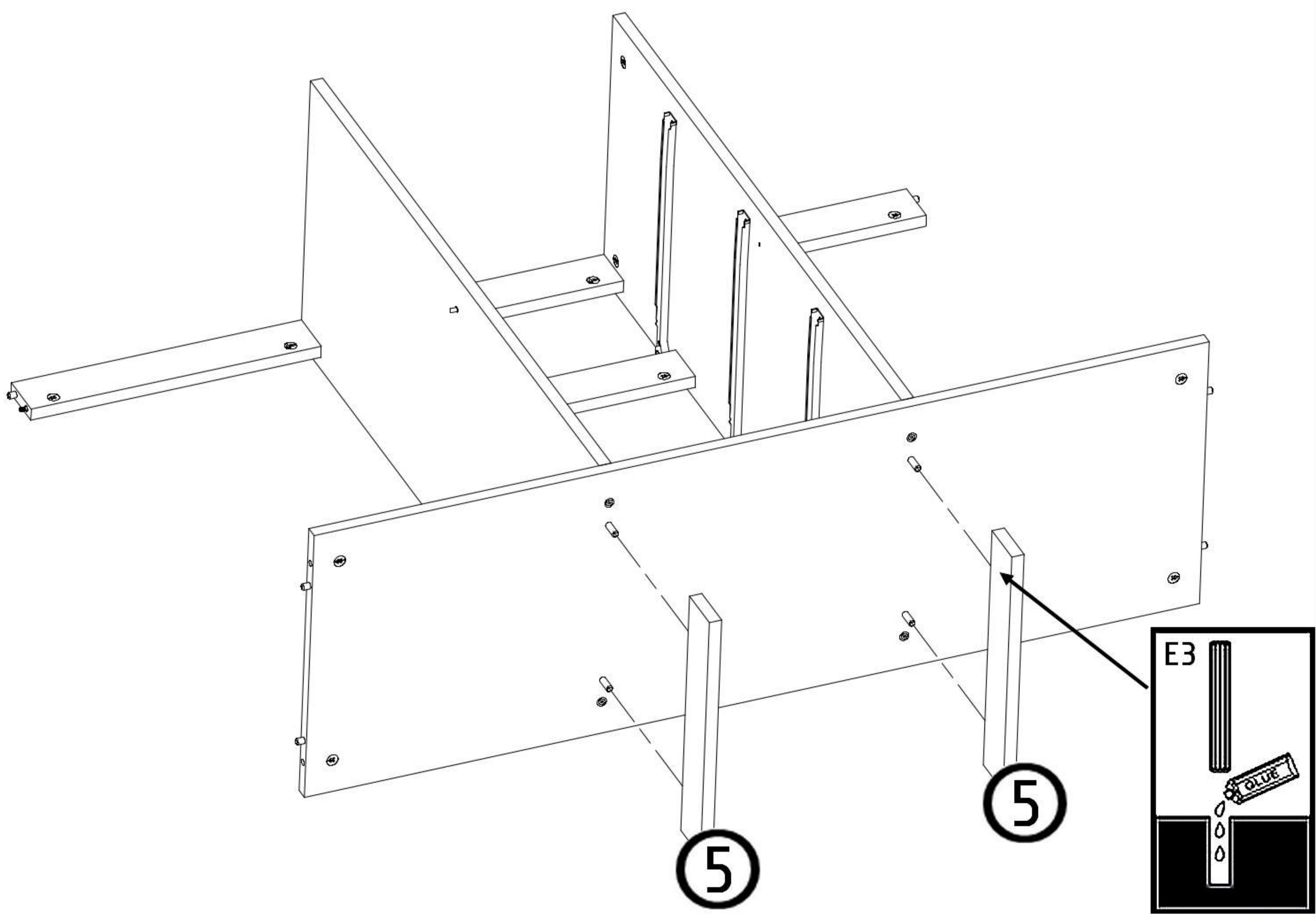
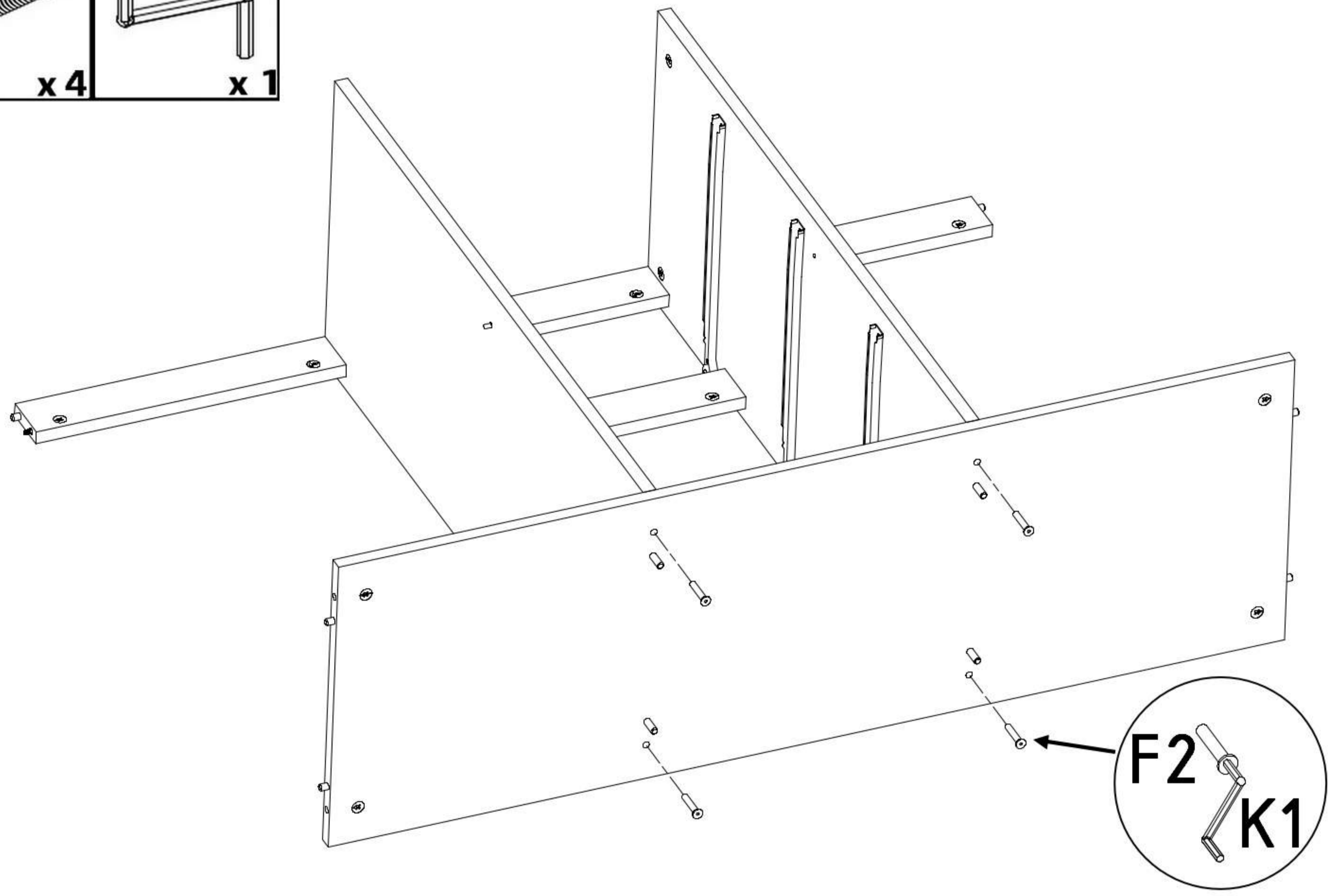
N3  L=76	E3  8x70
x 2	x 2

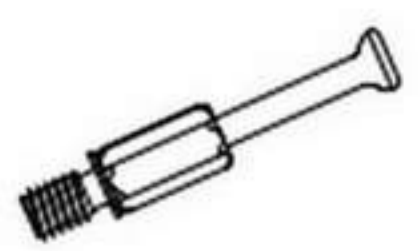





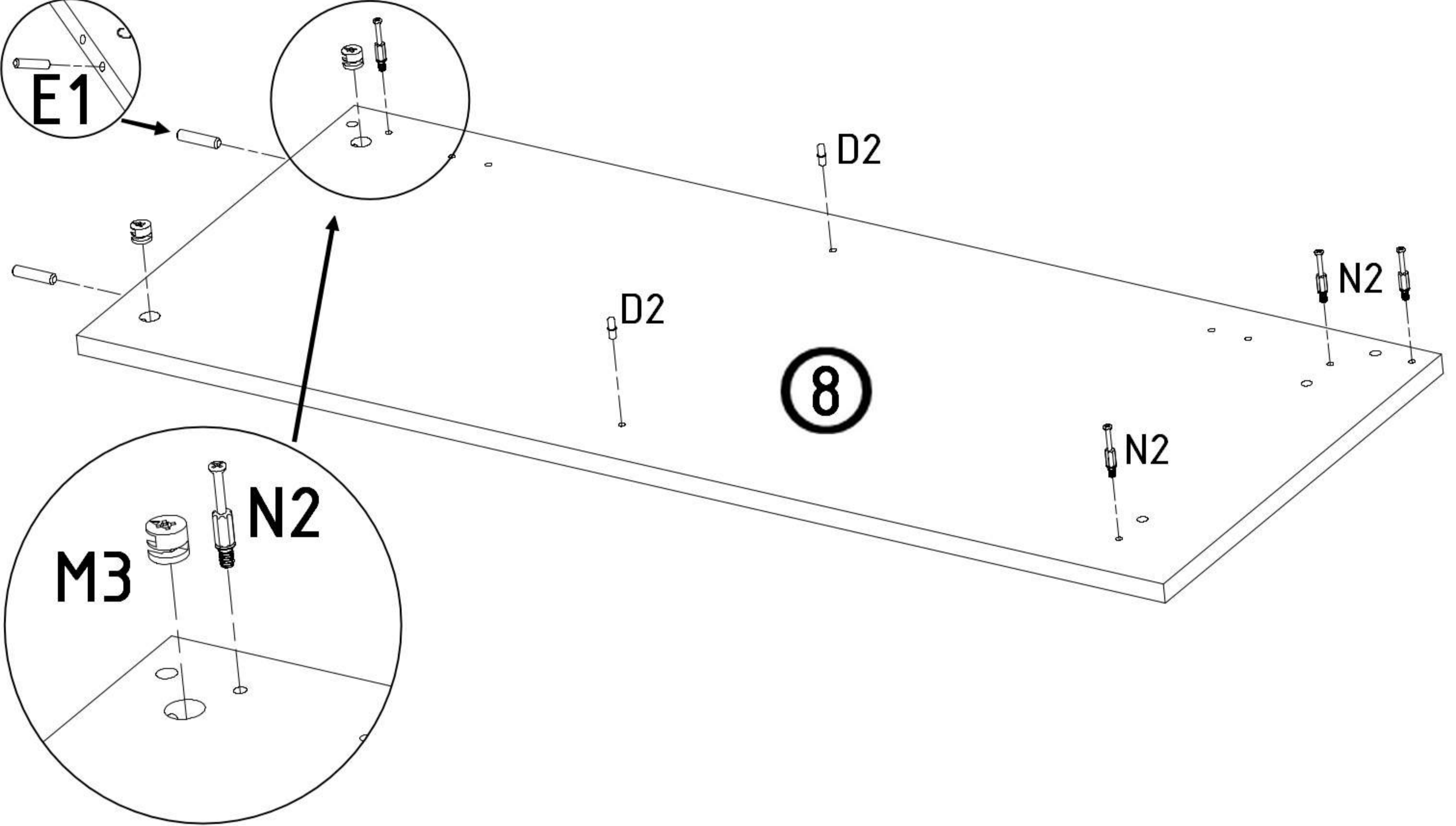
E1  8x35 x 4	M3  x 4
---	---







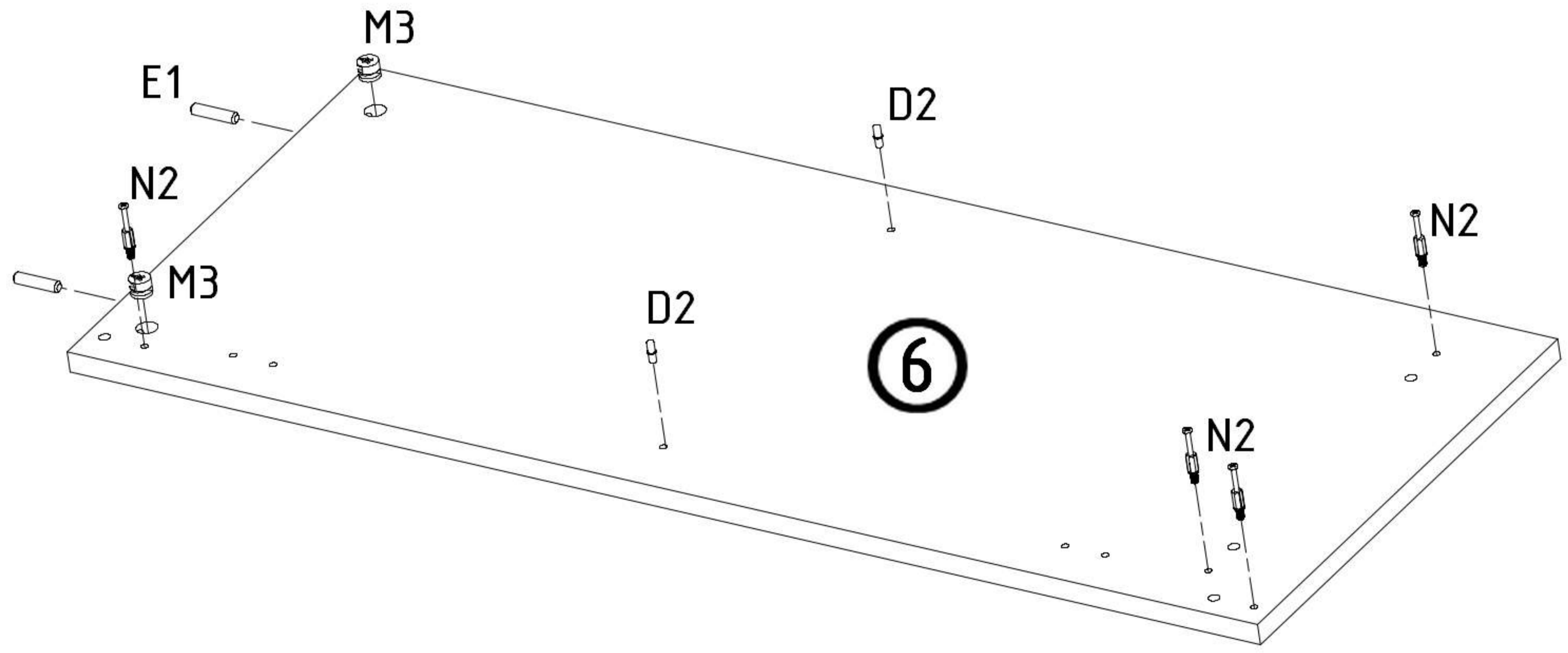
F2  x 4	K1  x 1
---	--

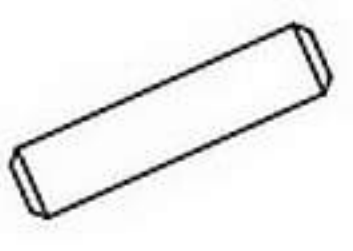



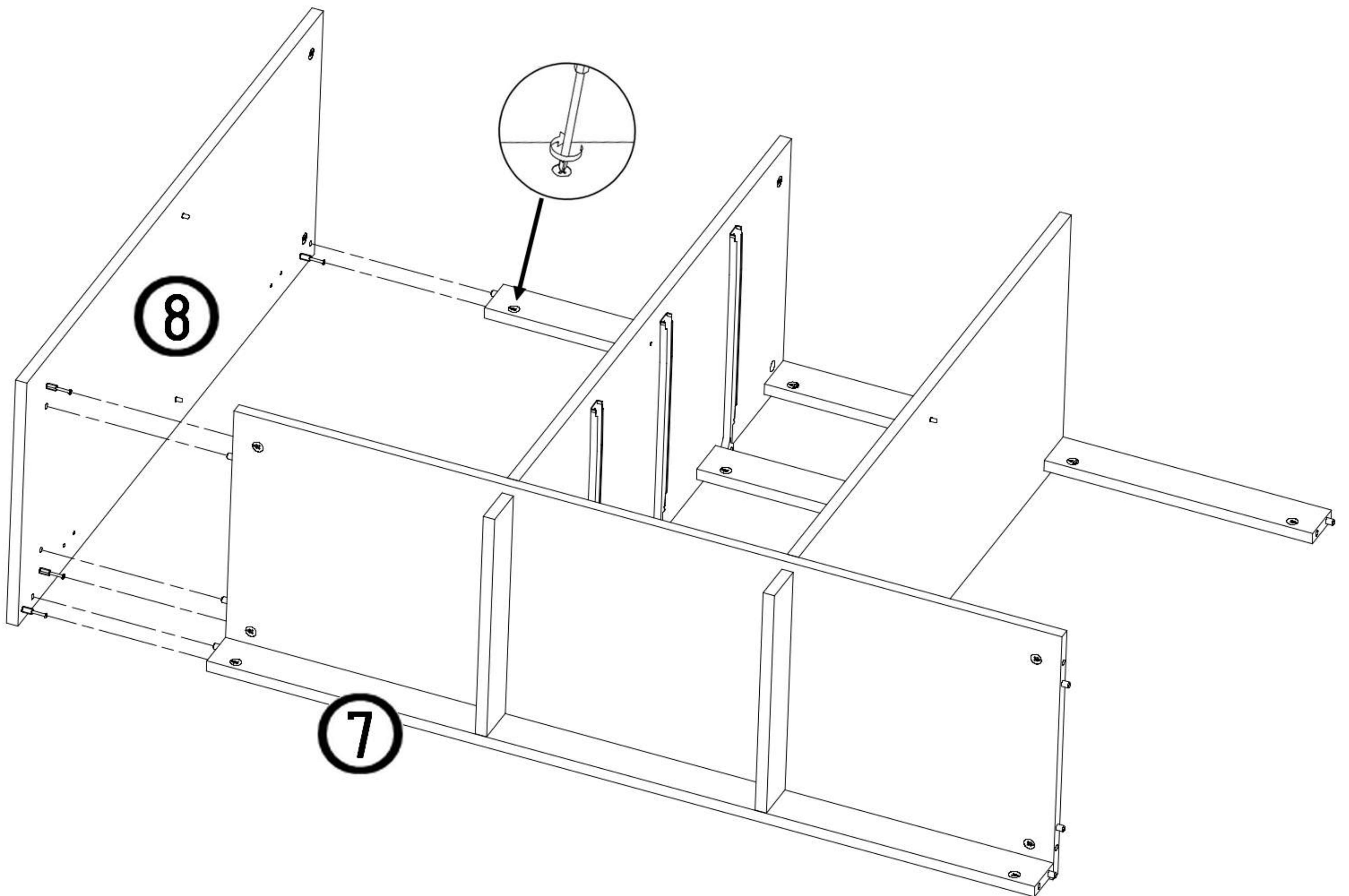
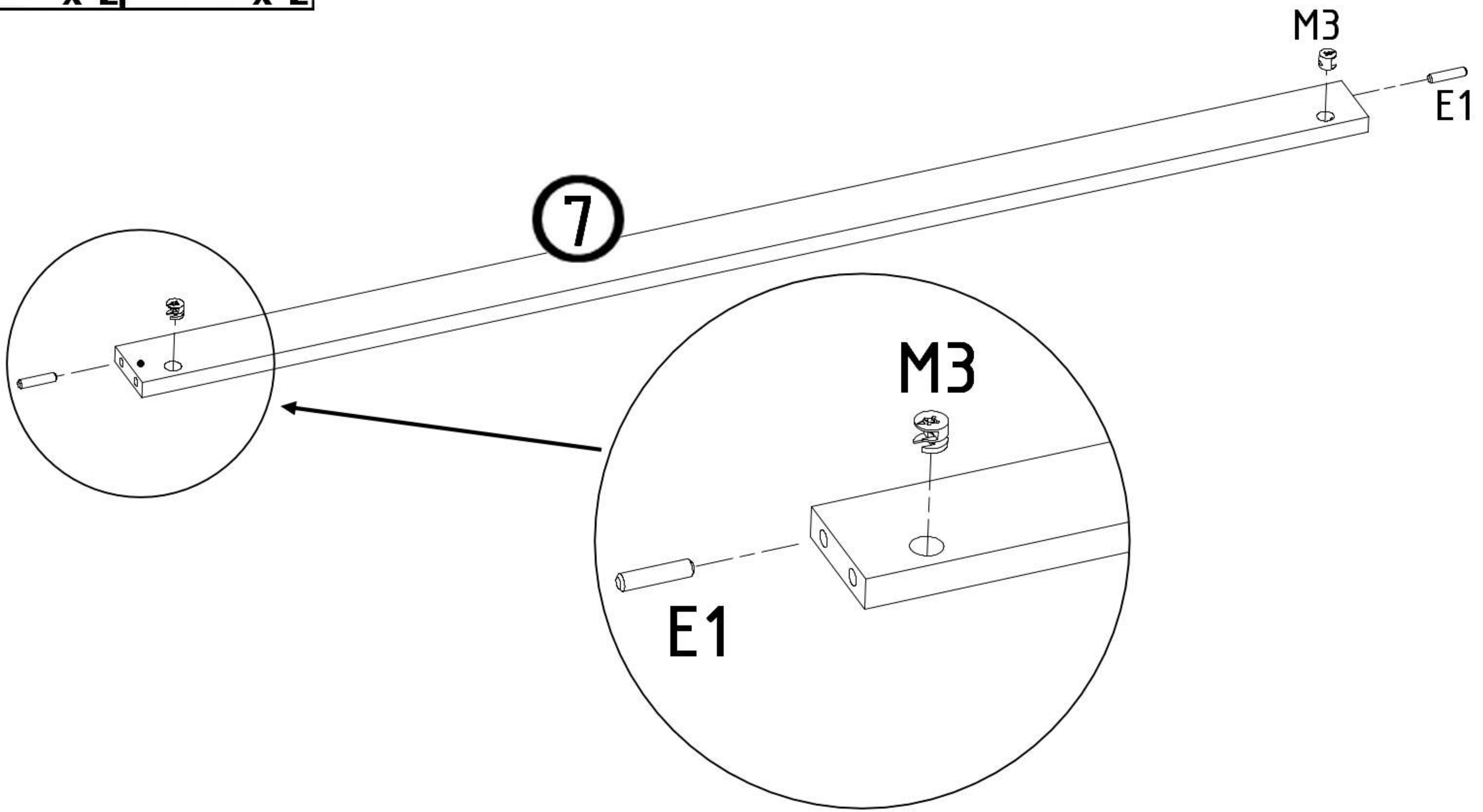
N2  L=30,3 x 4	M3  x 2	E1  8x35 x 2	D2  x 2
---	---	--	---



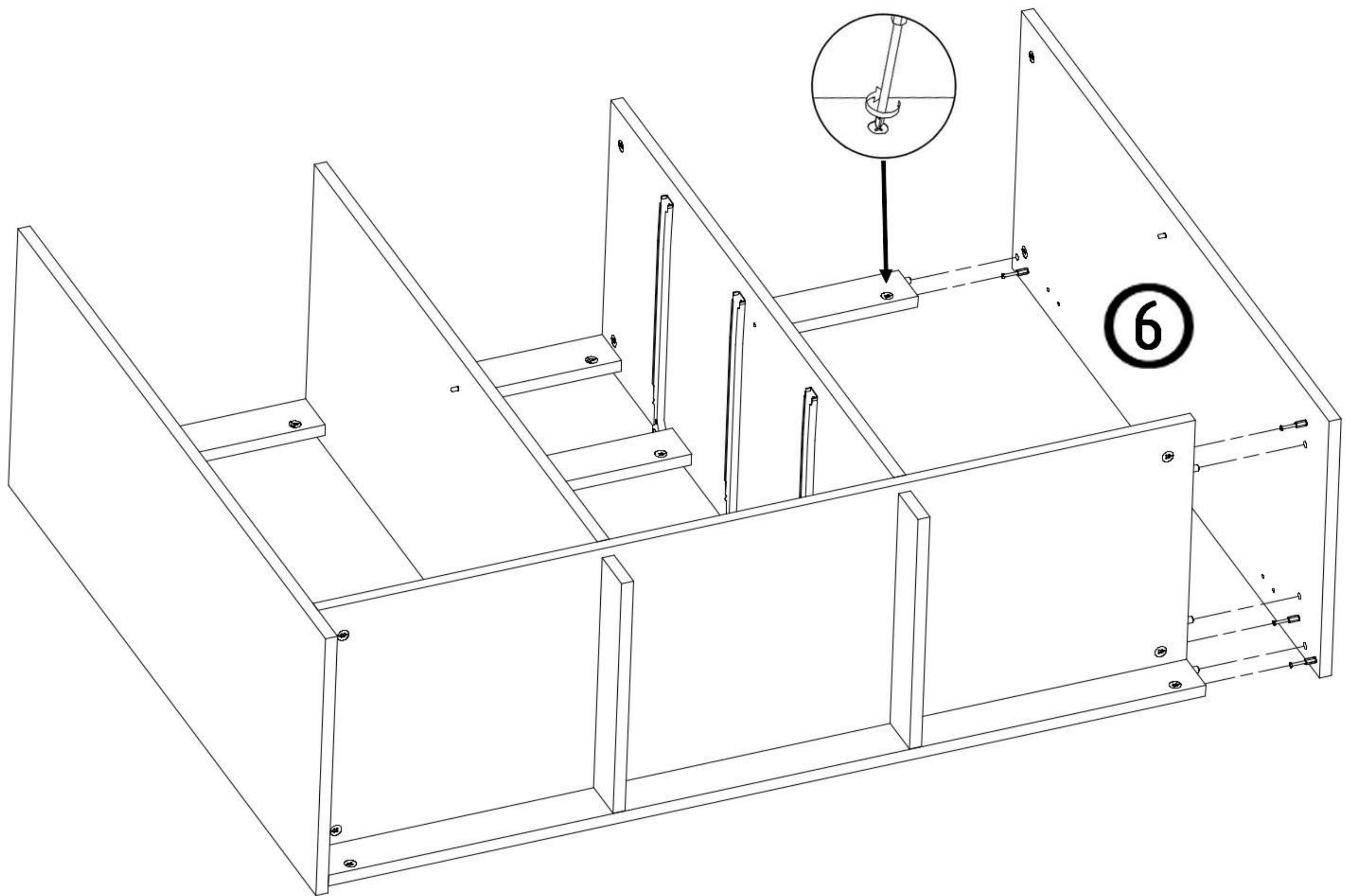
N2  L=30,3 x 4	M3  x 2	E1  8x35 x 2	D2  x 2
---	---	--	---



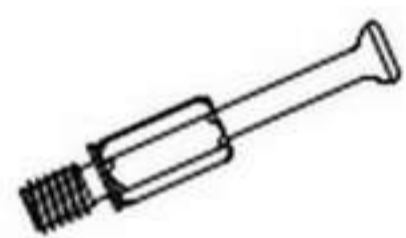
E1  8x35	M3  x 2
x 2	x 2



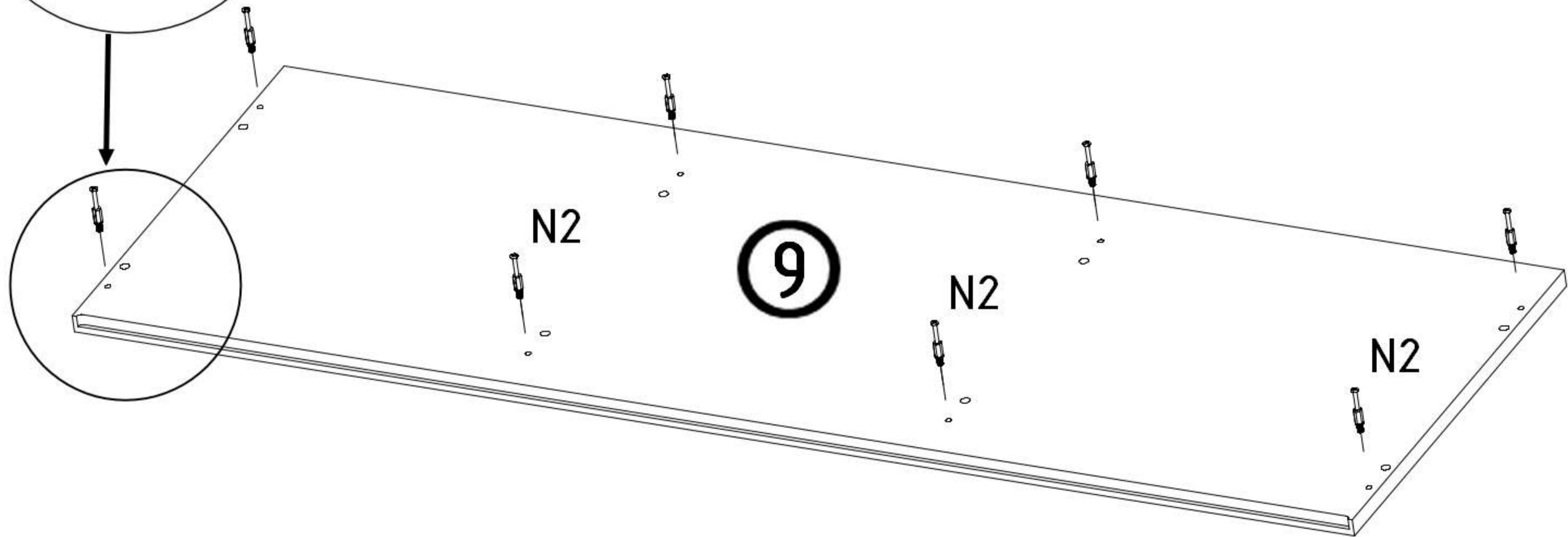
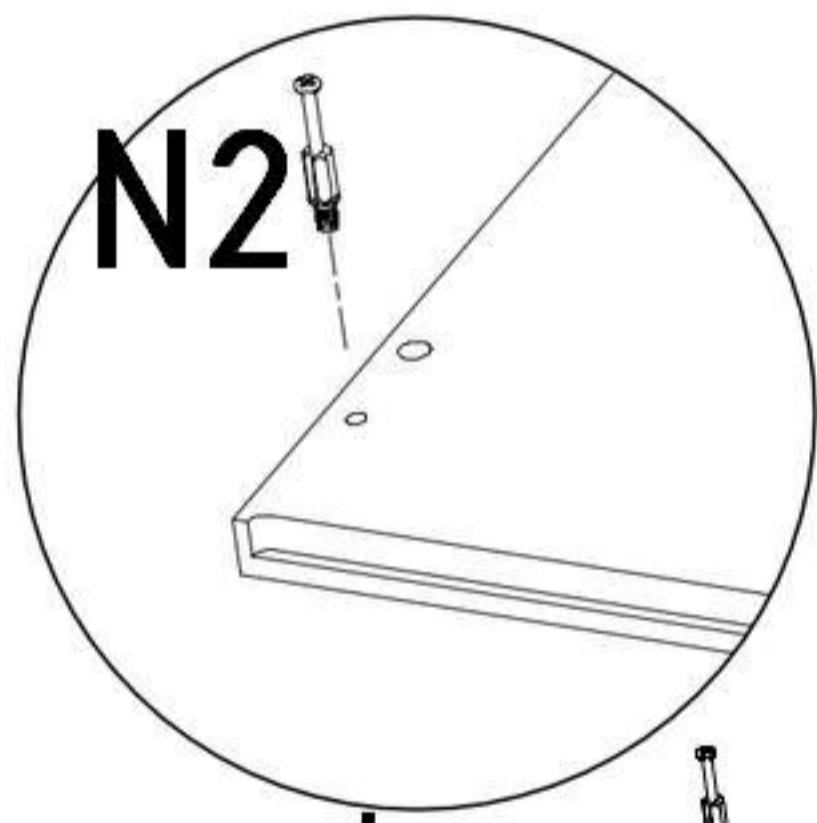
10

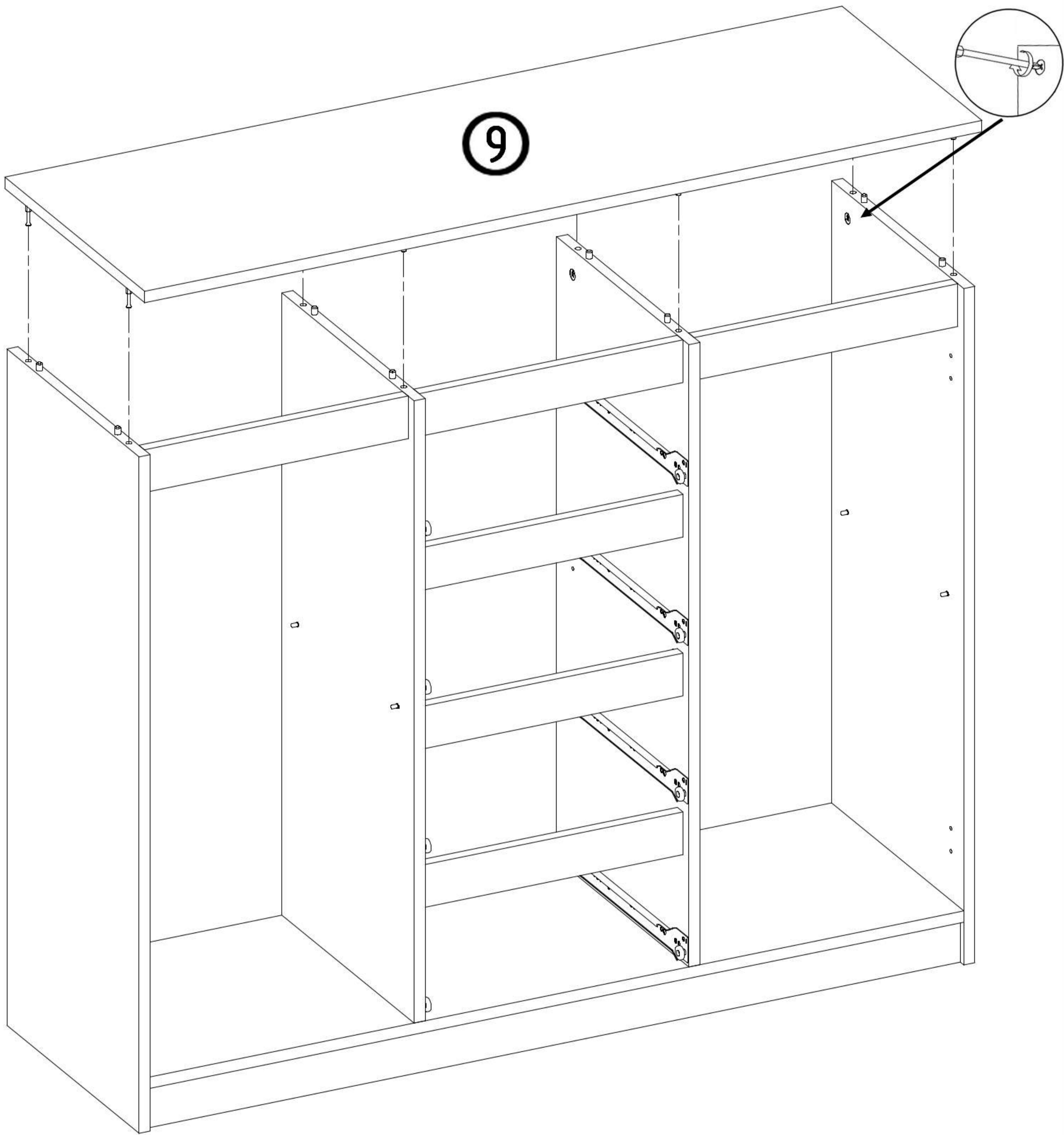






N2

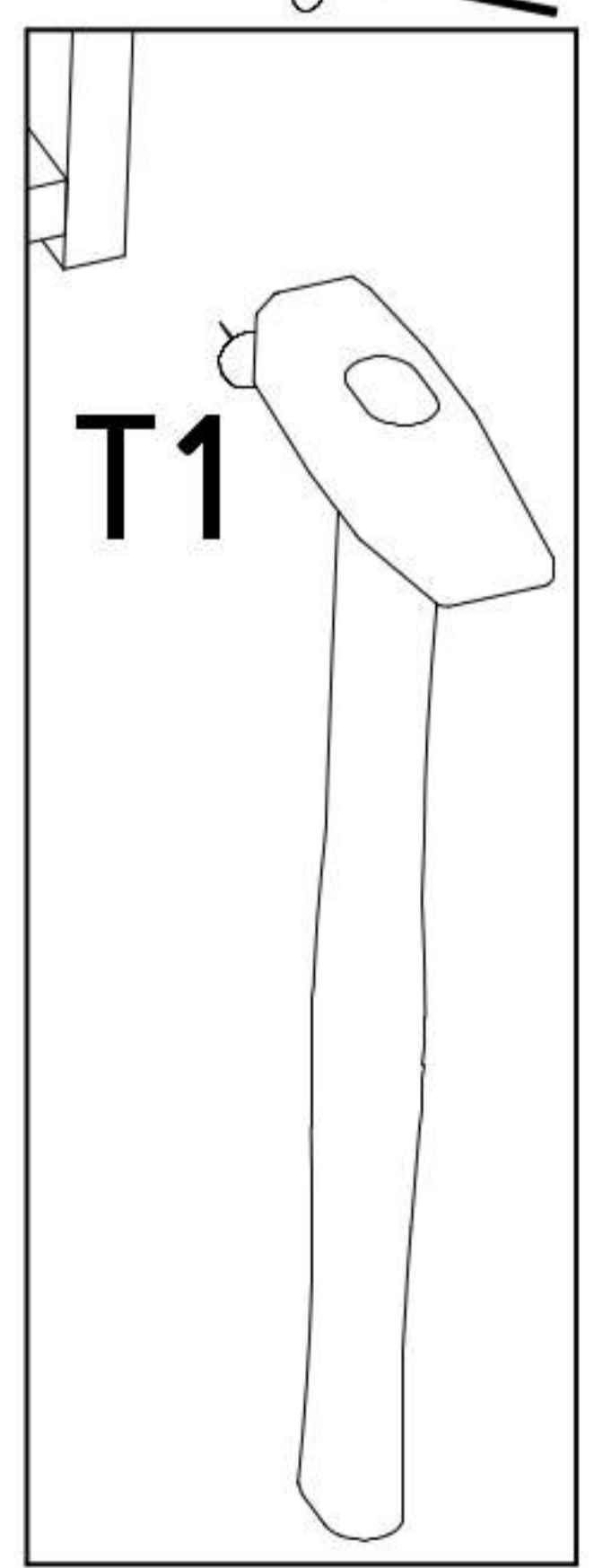
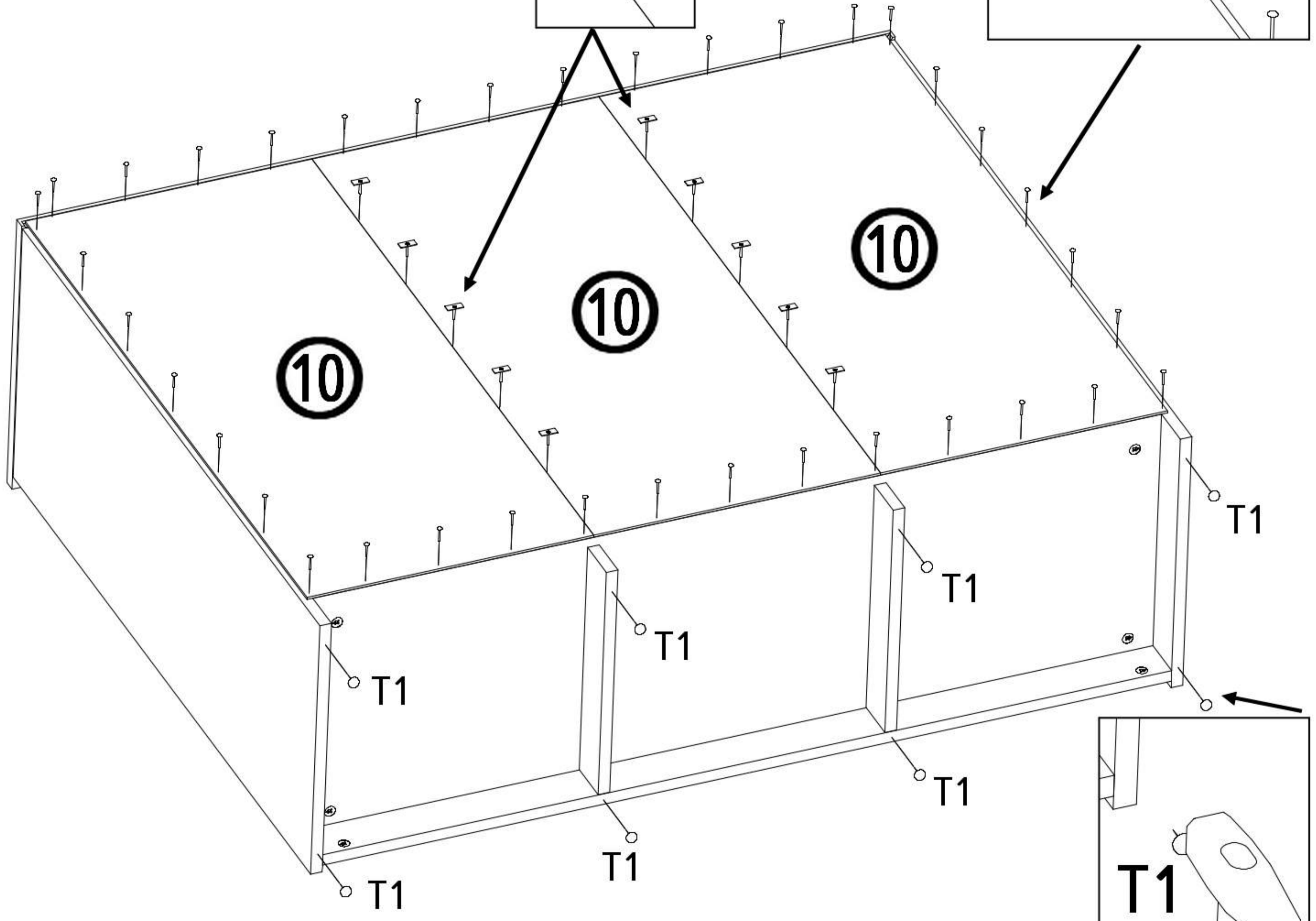
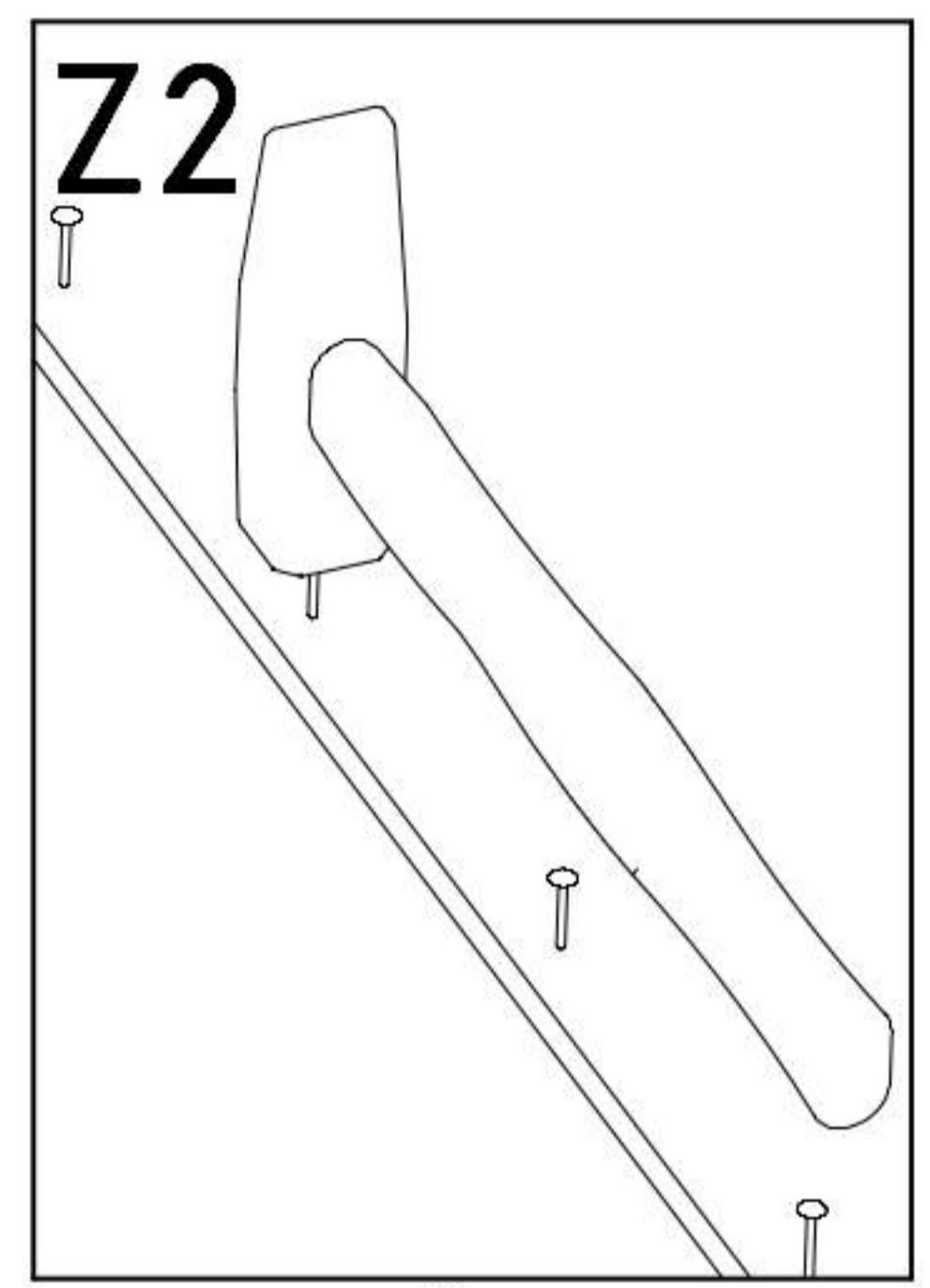
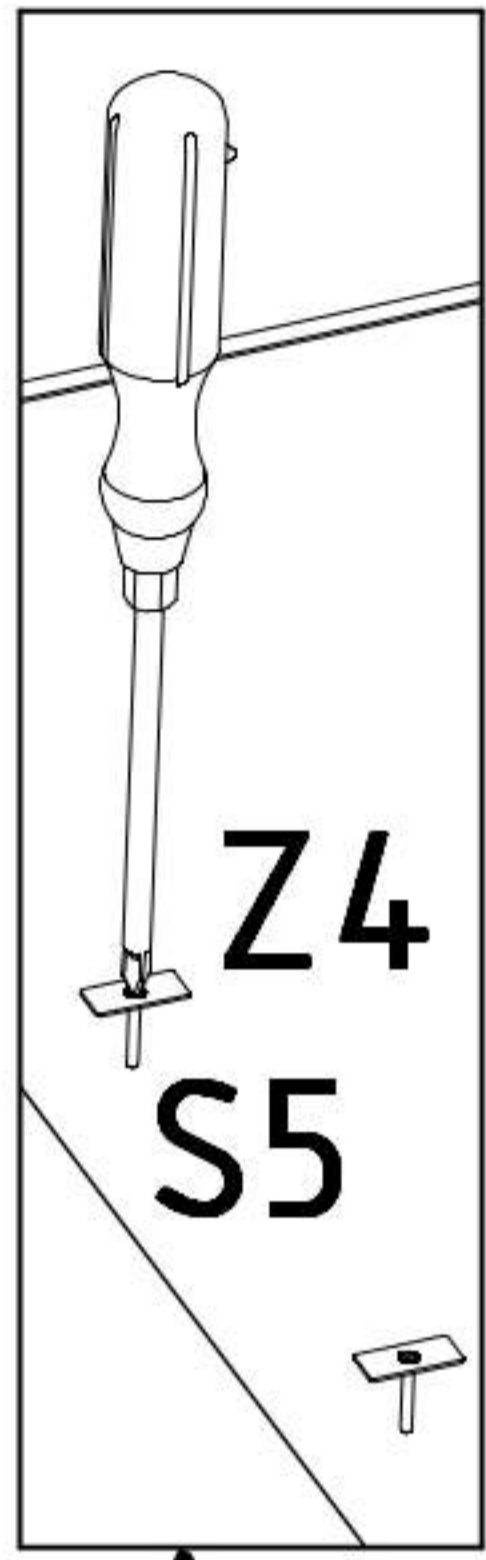
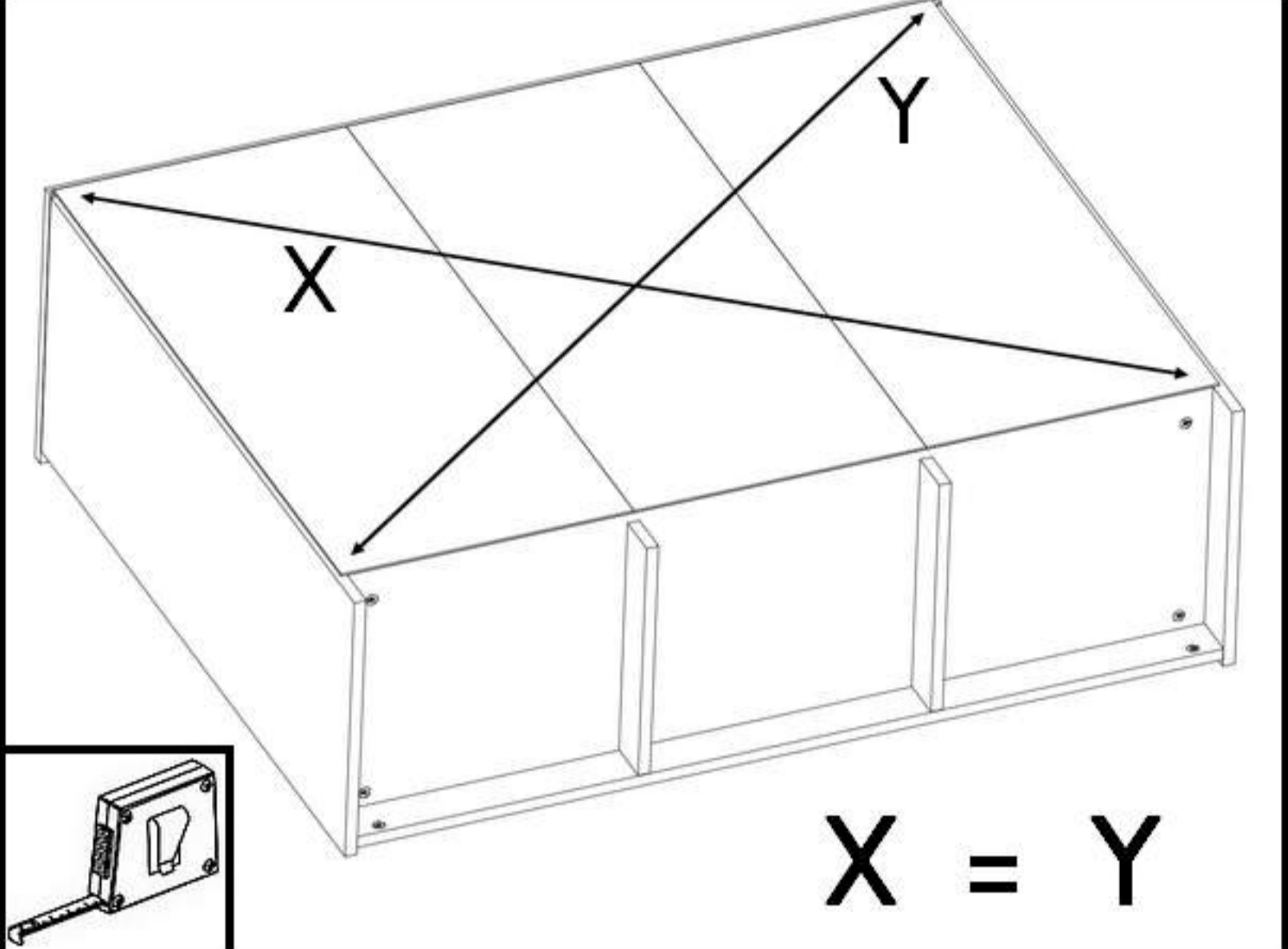


L=30,3 x 8

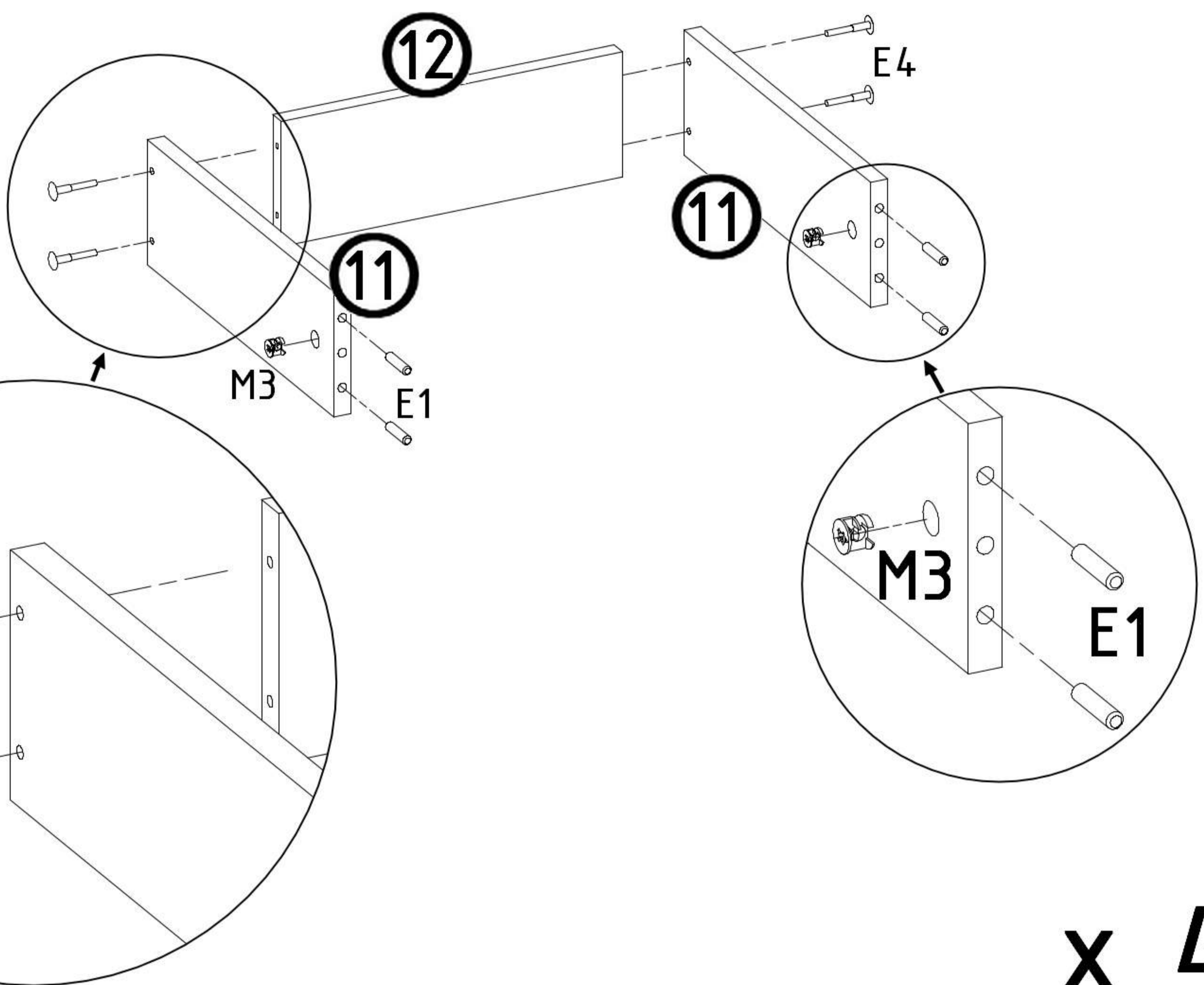




S5  2,5x20 x 10	Z4  x 10	T1  x 8	Z2  x 60
---	--	---	--

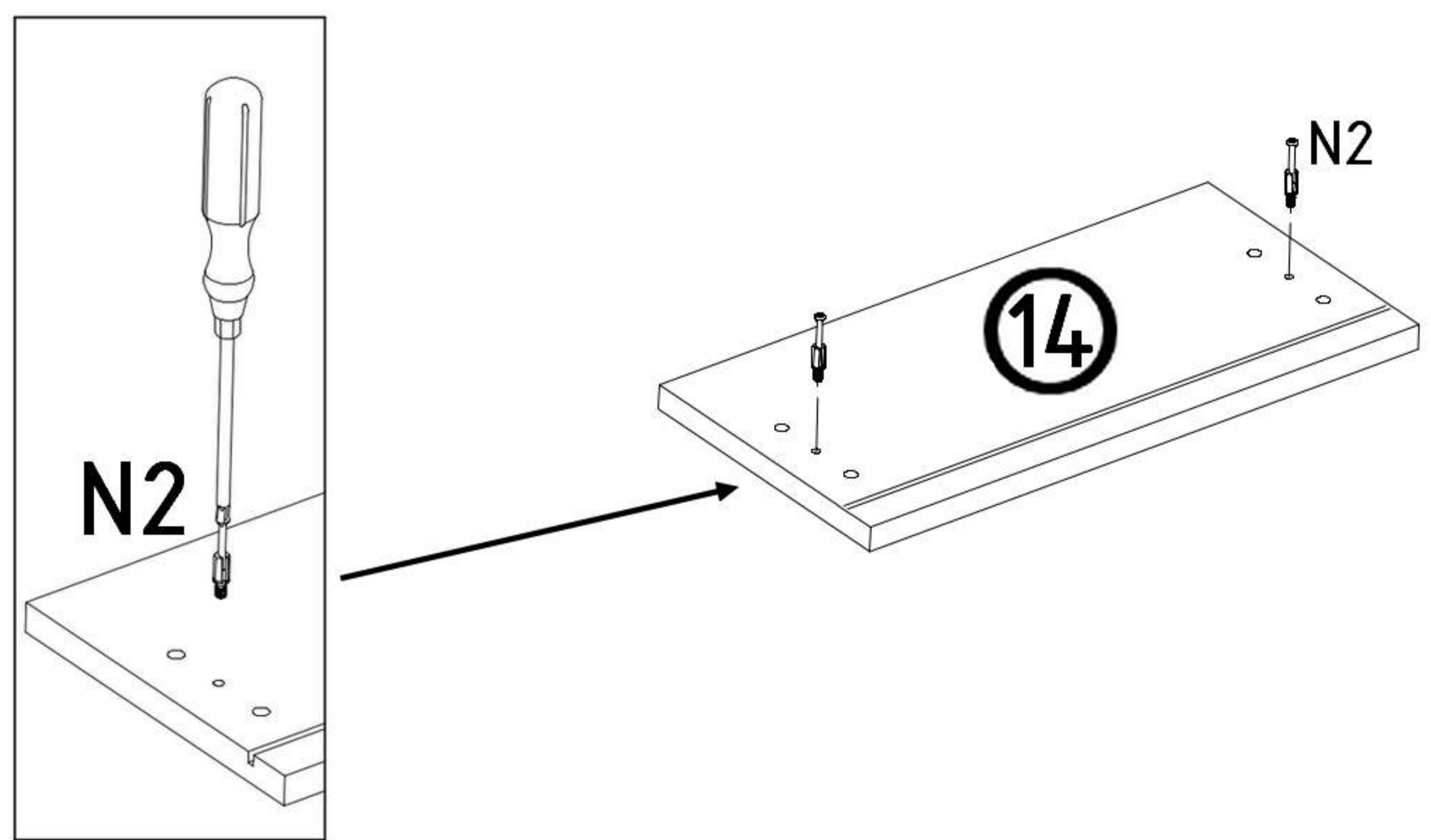


E1  8x35 x 16	M3  x 8	E4  x 16
--	---	--



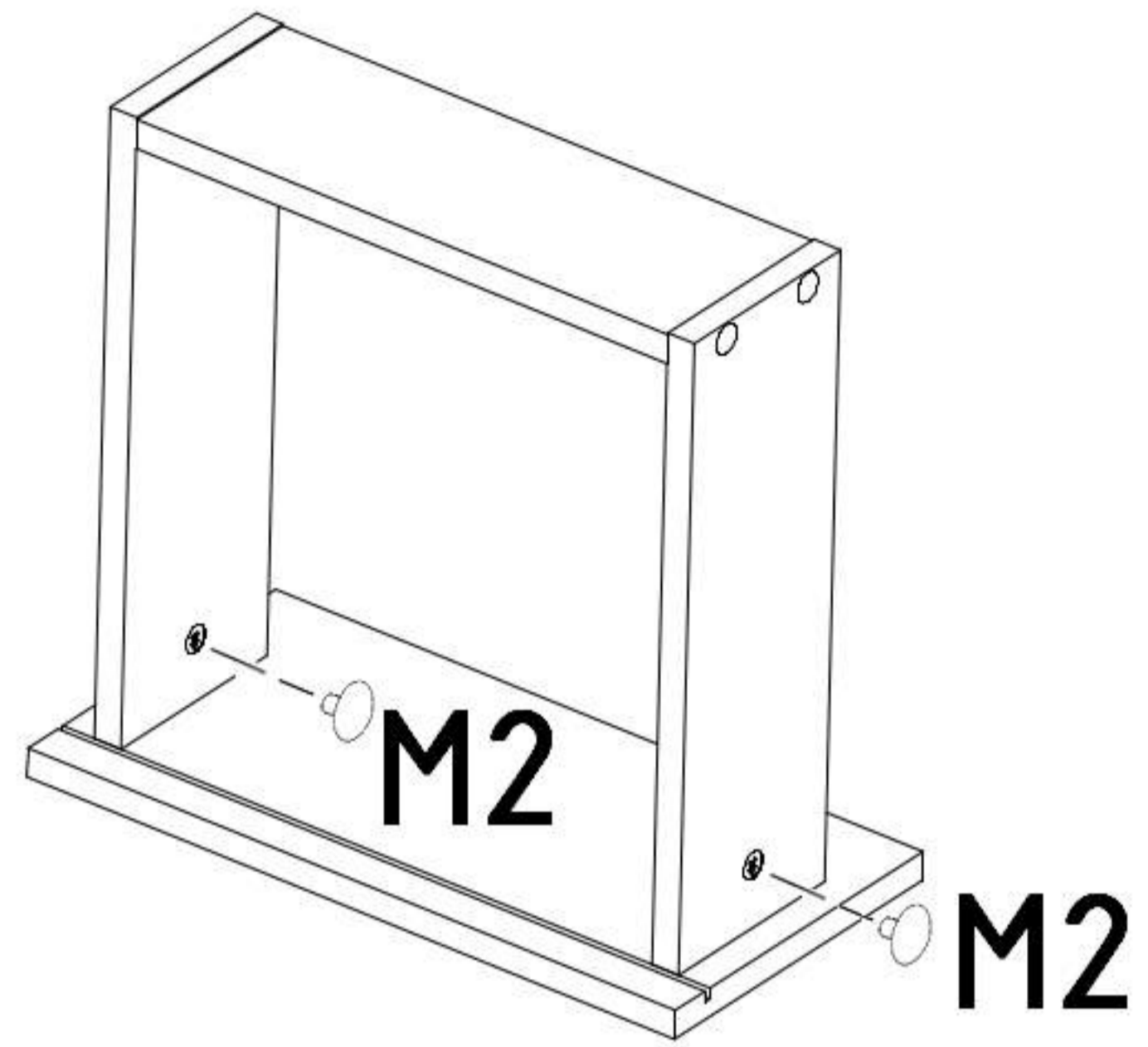
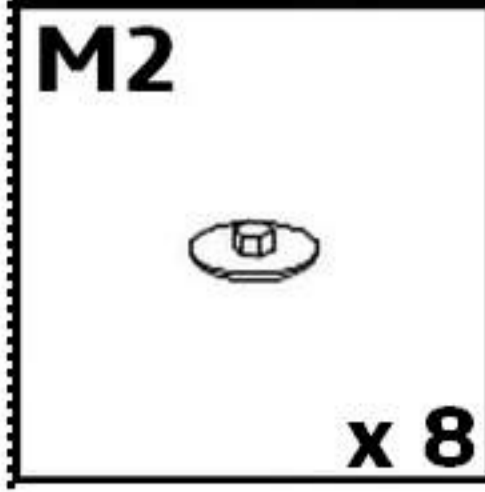
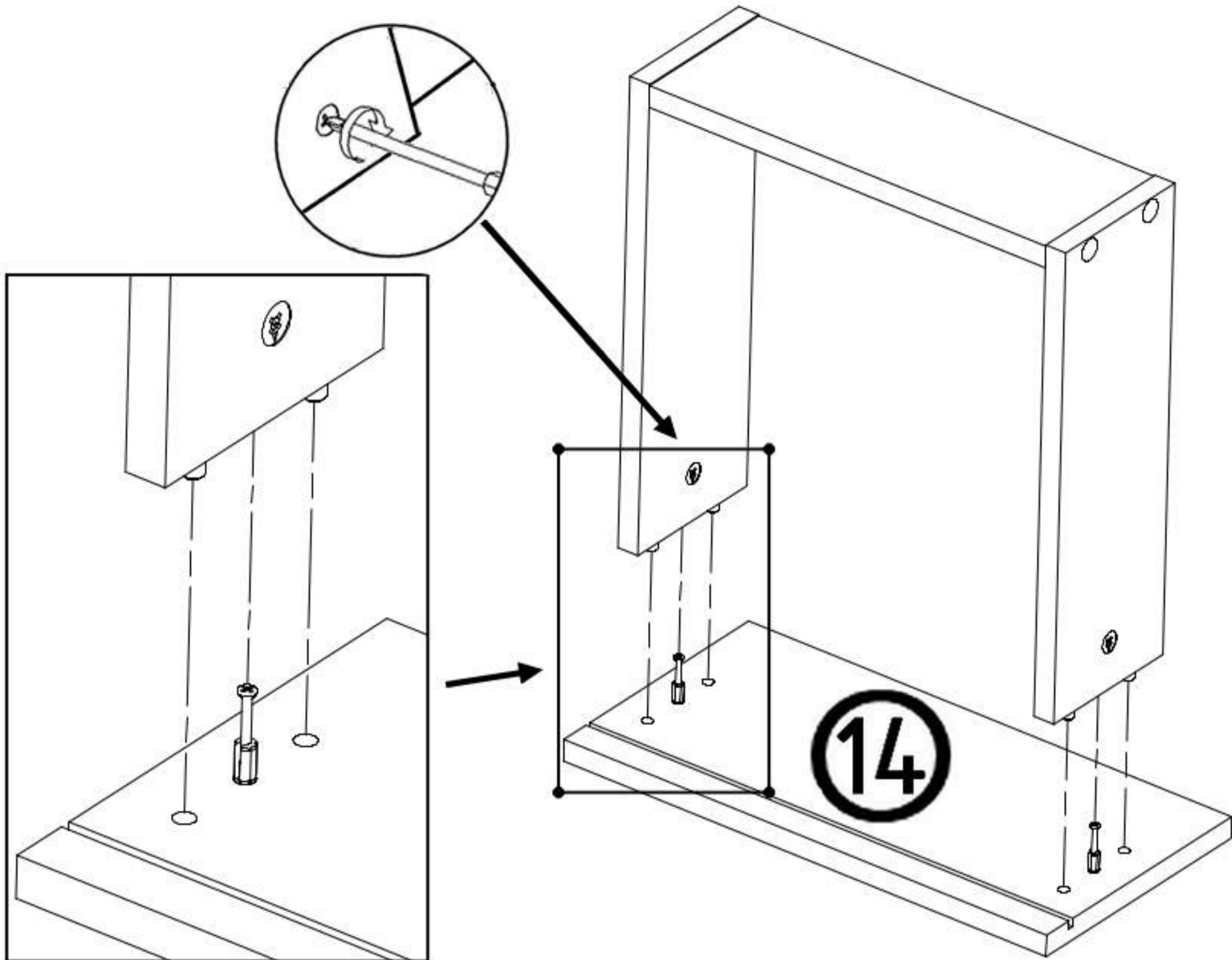
x 4

N2  L=30,3 x 8



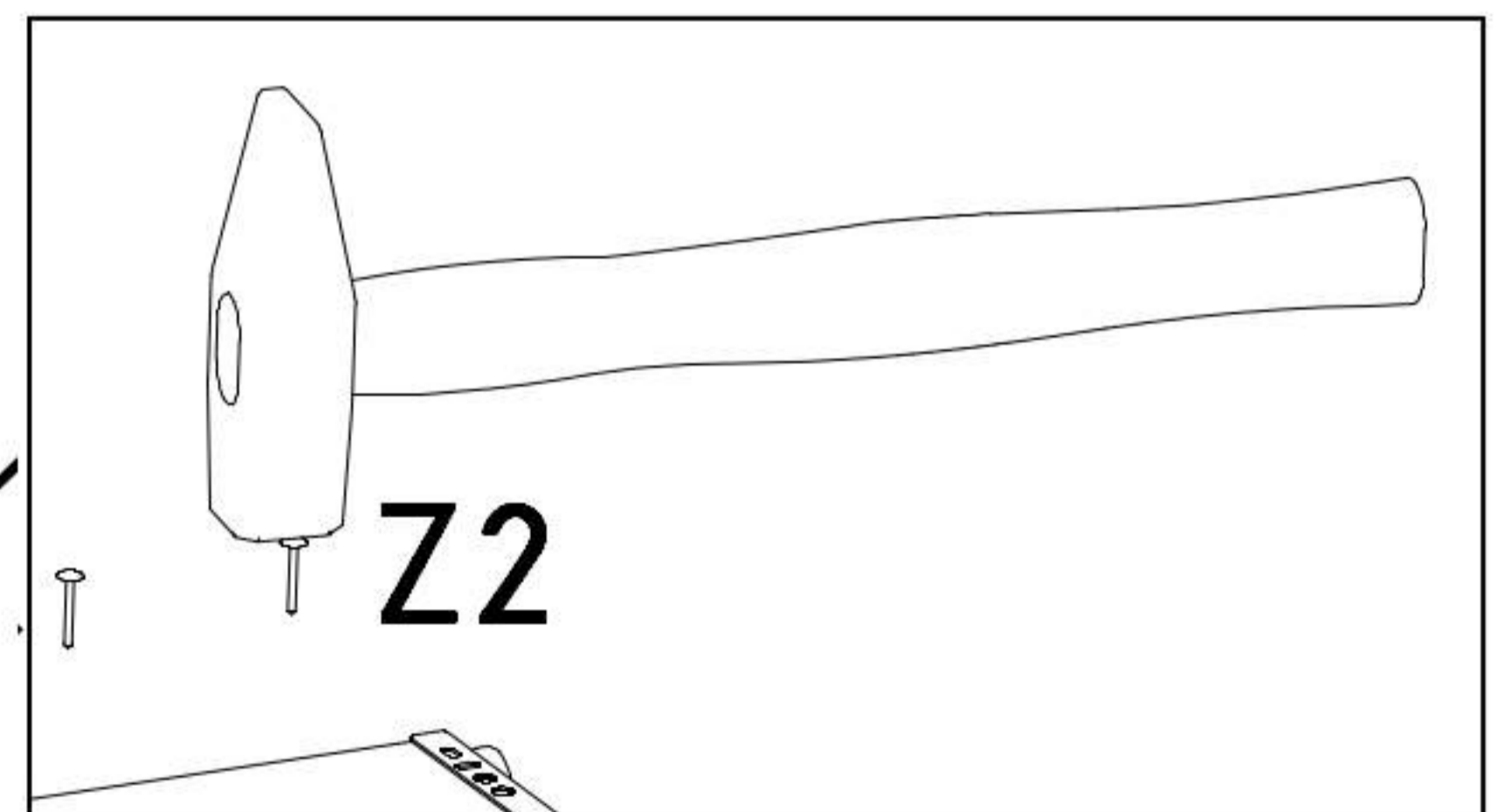
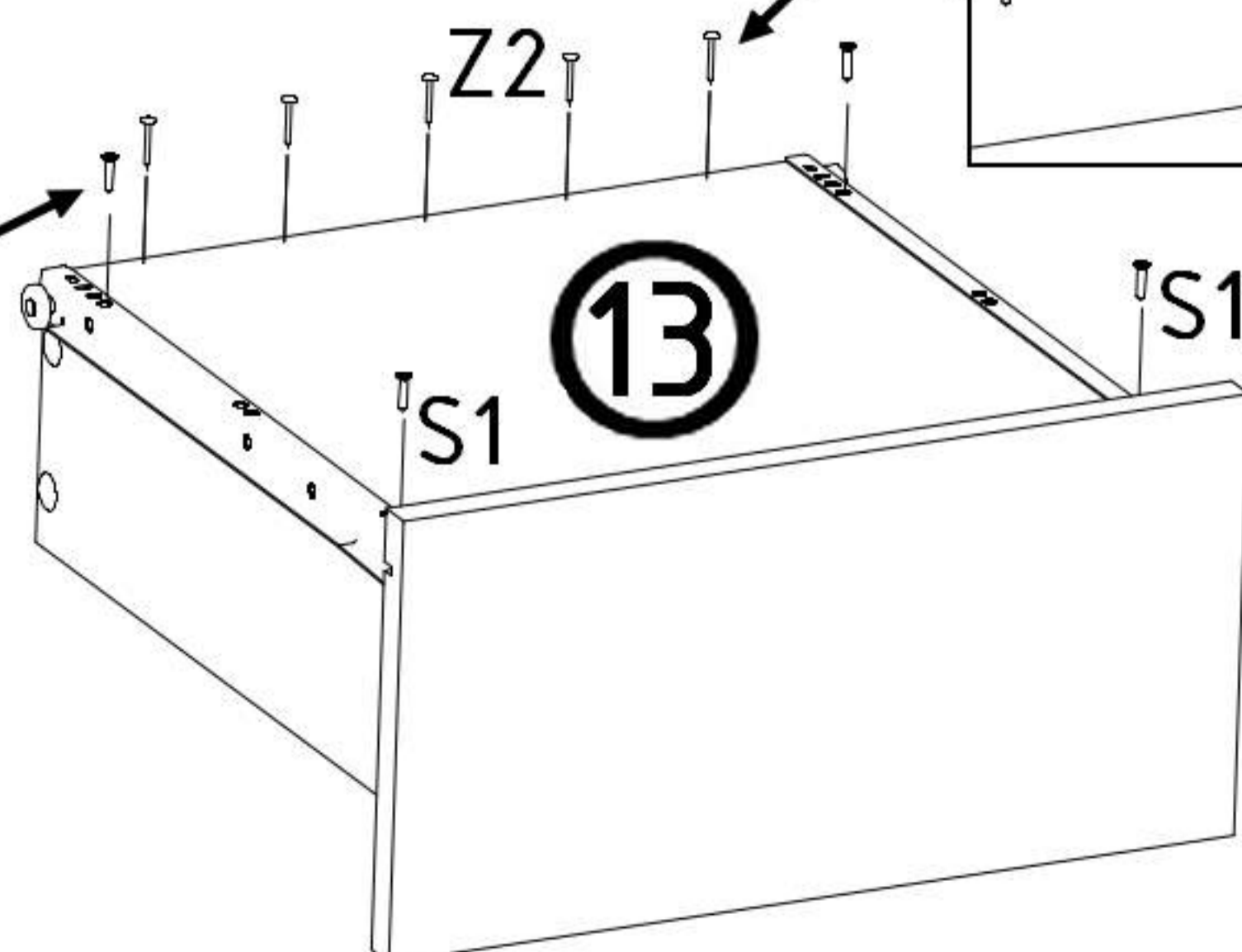
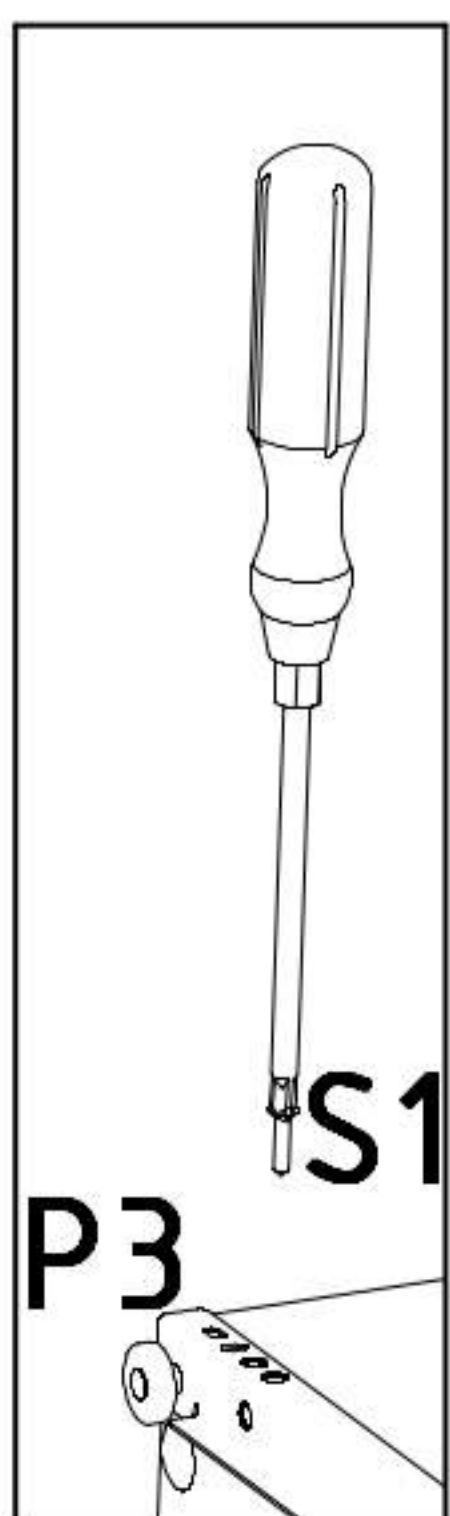
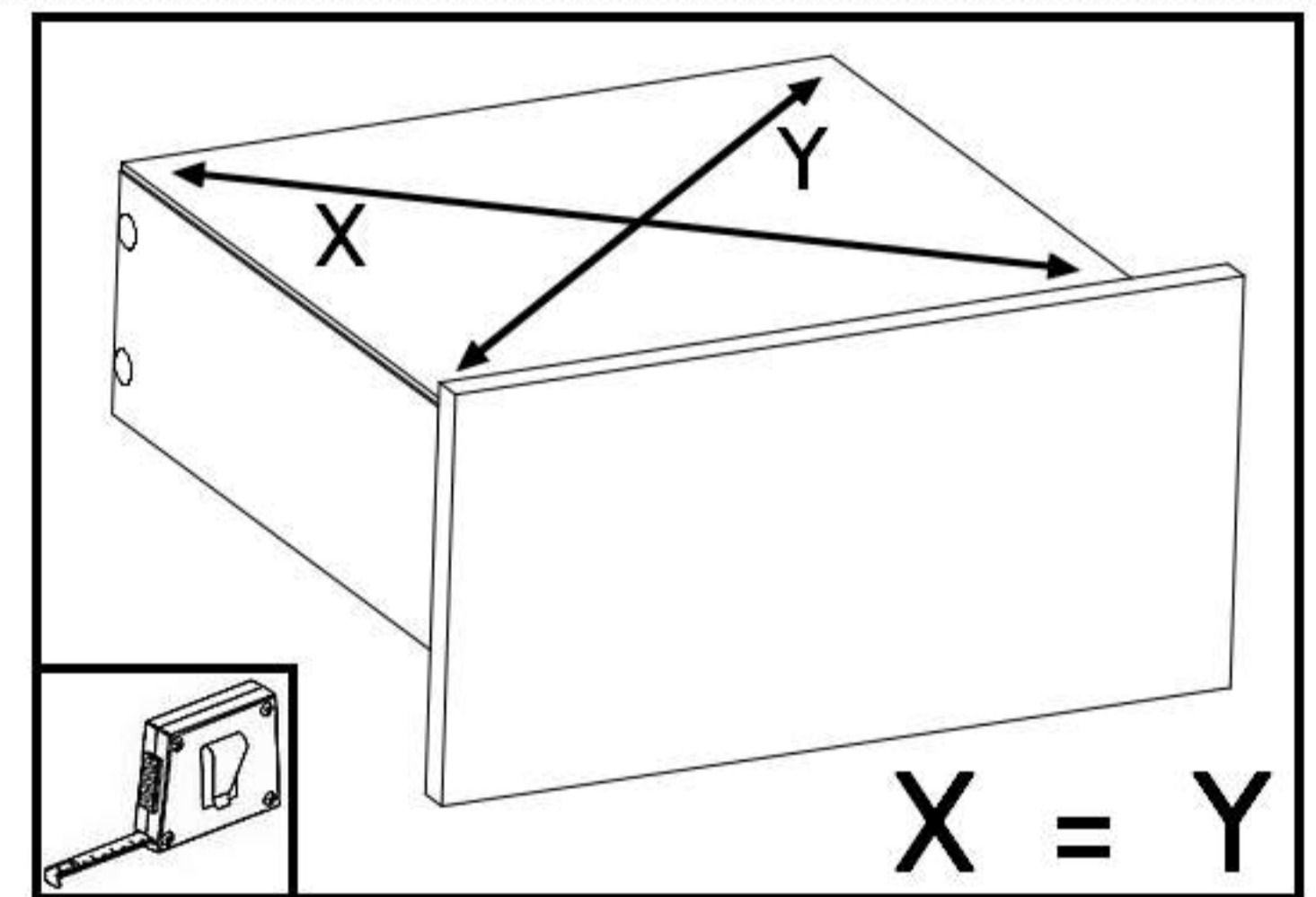
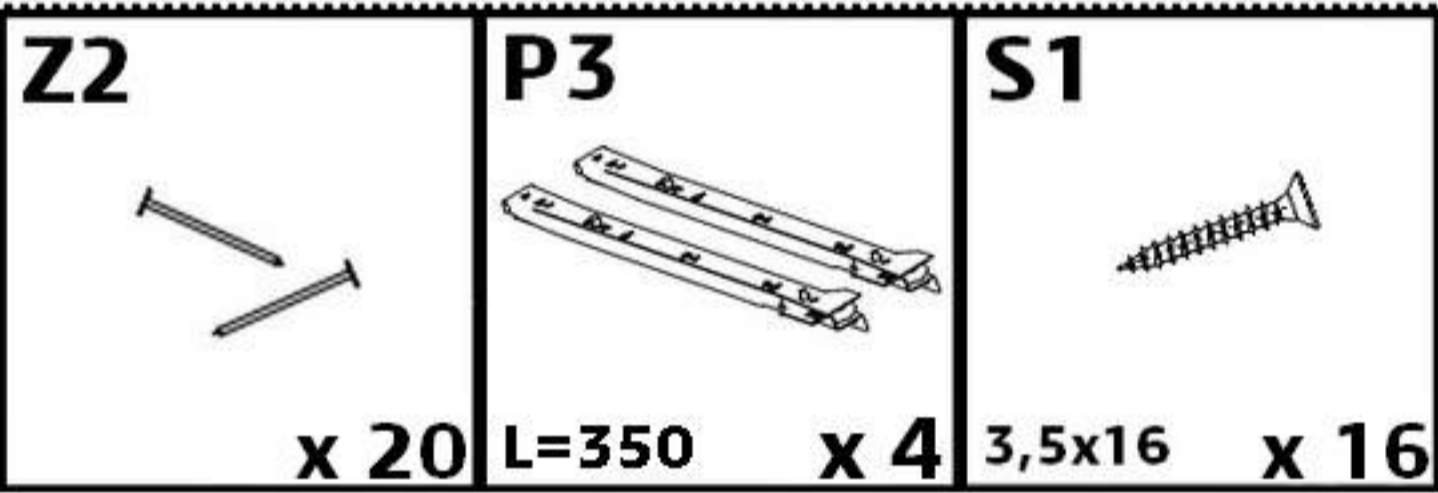
x 4

14


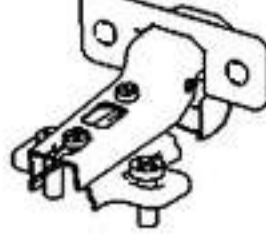


x 4

x 4



x 4

S1  3,5x16	A0  x 8
	x 4

