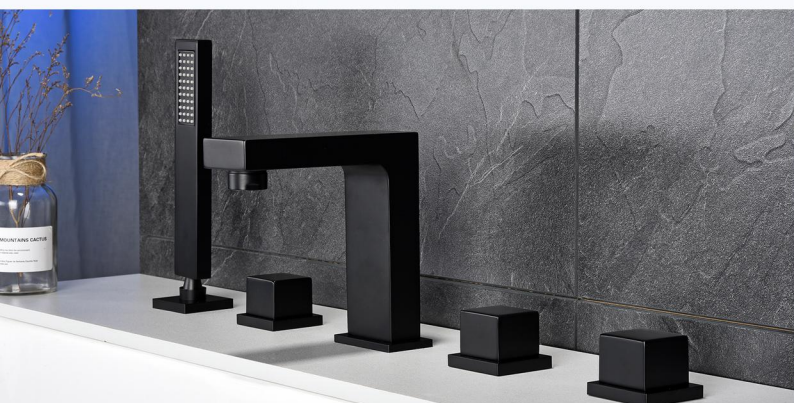


User's Manual

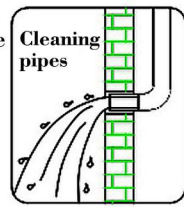


INSTALLATION STEPS

This product has been inspected and debugged by the factory to the best condition. Please do not disassemble and assemble it yourself.



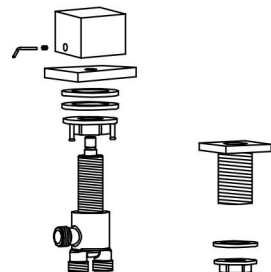
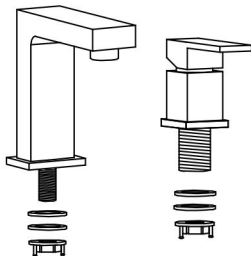
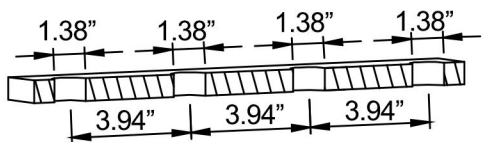
Before installing the faucet, please be sure to remove sundries and sludge from the water pipe to prevent sundries from blocking the faucet.



1. Hole:1.38", Distance:3.94"

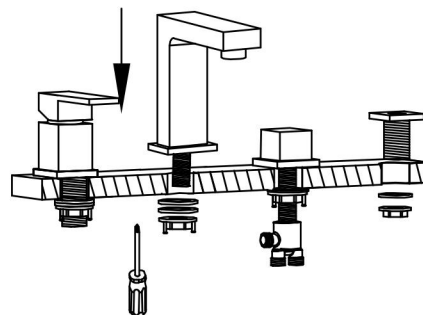
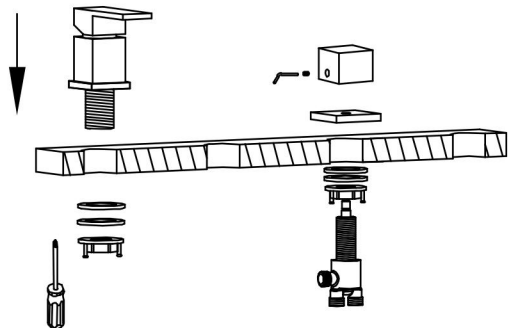
2. Dispatch the parts.

3. Take apart the handle and base by the hexagonal screwdriver. Take apart the nut and gasket of the shower holder.

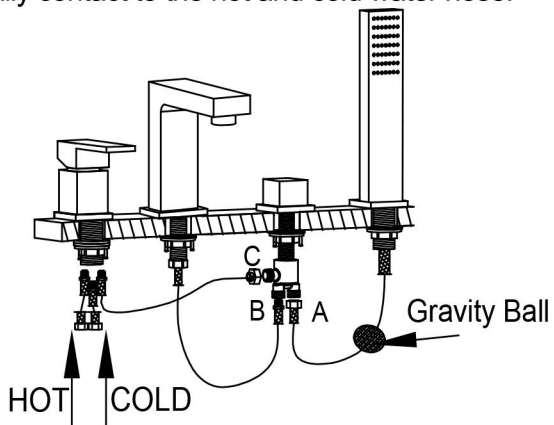
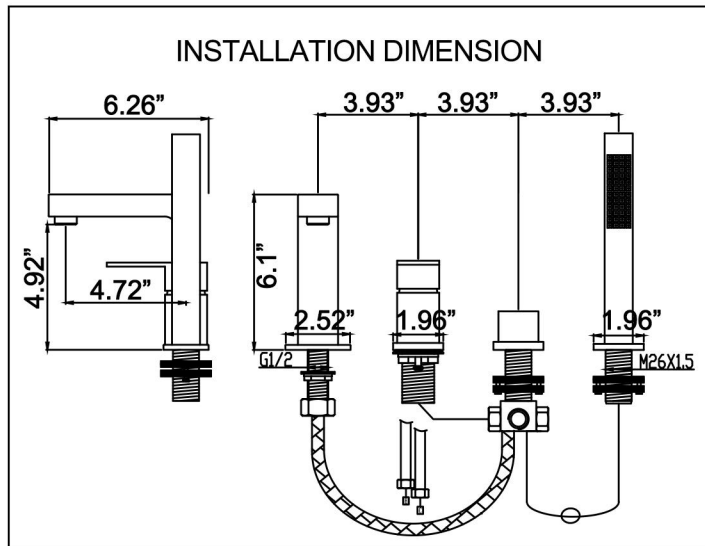


4. Fixed the switch and fasten the nut. Fix the converter handle by the hexagonal tool.

5. Fixed and fasten the water nozzle and shower holder.



6. Pulling pipe connect with the conversion A through the shower holder. Gravity ball fixed on the top of the pull out pipe. Water nozzle connect to the conversion B, switch water outlet connect to the connector C and finally contact to the hot and cold water hose.



CLEANING CARE

In order to keep the appearance of faucet clean, bright and good performance, please take care of the faucet as follows;

1. Rinse with water only and dry with soft cotton cloth;
2. Use mild liquid and colorless glass cleaner to remove surface dirt and scale film, or use polish without abrasive effect;
3. Do not use abrasive detergent, polish, emery cloth, paper towel or scraper, etc.;
4. Do not use acid cleaner, or cleaner and soap with insoluble gran etc.;
5. In the process of use, mud may accumulate in the bubbler and make the water flow show, The bubbler can be unscrewed, rinsed with water, and then installed back in place.



