
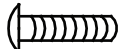
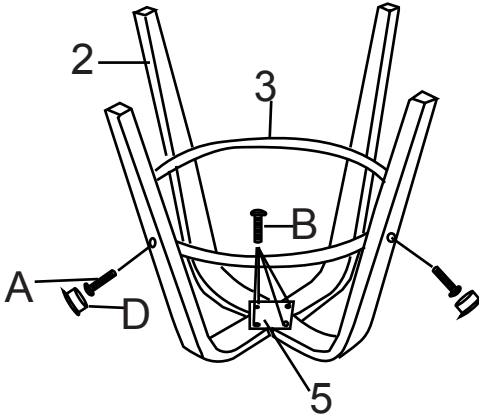
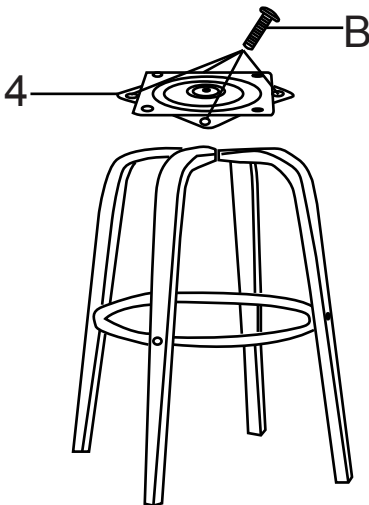

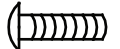

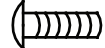
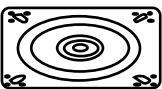

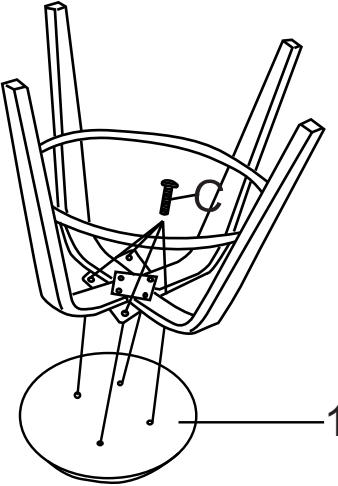
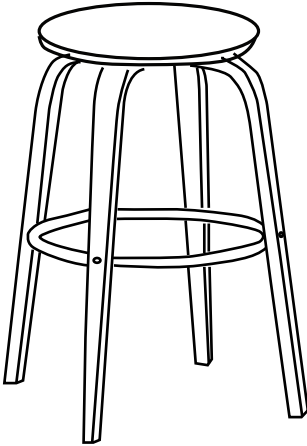
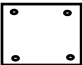
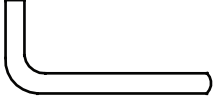


<p>1*1</p> 	<p>A*4+1EXT</p>  <p>M6*25MM</p>	<p>①</p> 	<p>②</p> 
<p>2*4</p> 	<p>B*8+1EXT</p>  <p>M6*20MM</p>		
<p>3*1</p> 	<p>C*4+1EXT</p>  <p>M6*16MM</p>		
<p>4*1</p> 	<p>D*4</p> 	<p>③</p> 	<p>④</p> 
<p>5*1</p> 	<p>G*1</p> 		

Note: 1) Lightly tighten the screws indicate on Step 1.

2) Tight All screws on Step 2 & 3 and insert 4 caps (Parts D) on each leg.

3) Mare sure All screws are fully tightened before using the stool.