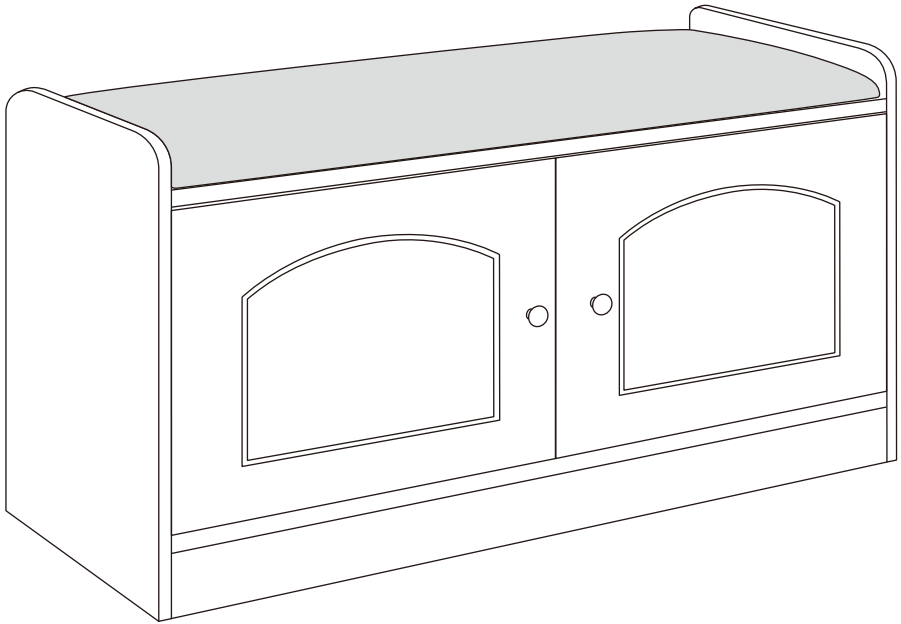


INSTALLATION MANUAL

SHOE(STORAGE) CABINET



updated on 08/12/2024

CONTENT

STRUCTURAL DECOMPOSITION DIAGRAM PAGE 1

PARTS LIST PAGE 2

INSTALLATION STEPS PAGE 4

INTRODUCTION

Before using the product ,please read this manual carefully and then assemble it. To avoid any injury or damage to the product,please follow safety rules below.

- Product to be installed in a dry,flat place indoor.
- Assembly & movement: minimum 2 adults - heavy product.
- Make sure all screws in the part list included in the hardware package before assembly.
- In the event of a missing items,contact the seller within 48 hours.

TIPS AND WARNINGS:

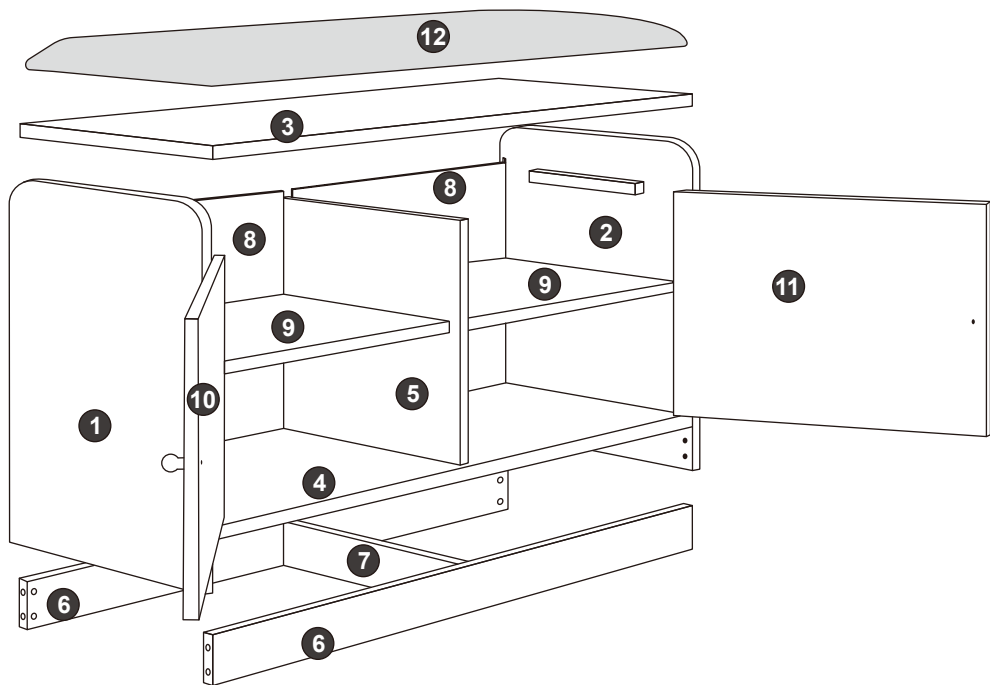
- Do not store in a damp room or outdoor.
- Beware of the risks of pinching and puncturing during installation.

Maintenance :

Cleaning with a dry cloth.

Keep away from water or wet shoes.

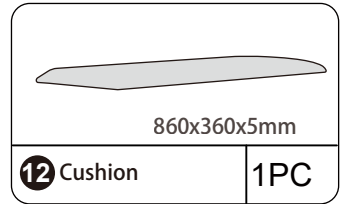
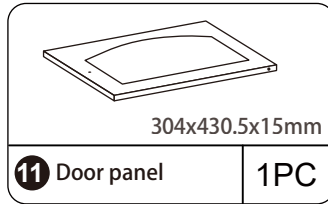
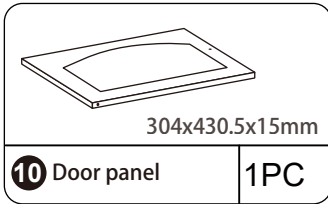
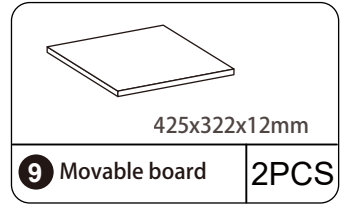
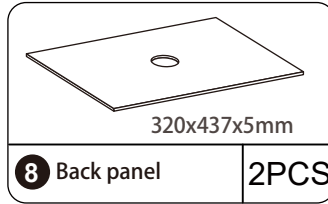
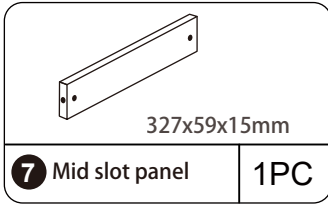
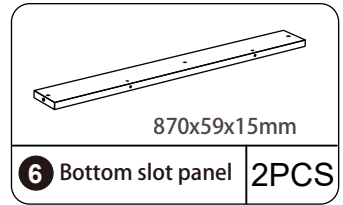
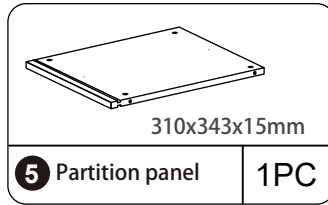
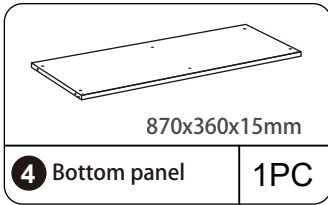
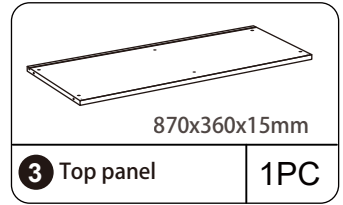
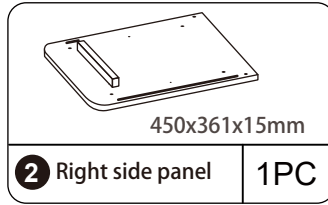
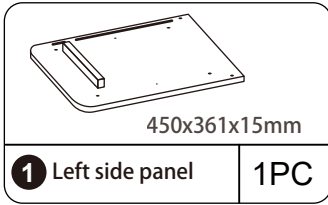
STRUCTURAL DECOMPOSITION DIAGRAM

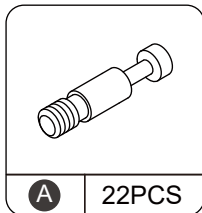


The picture is for reference only

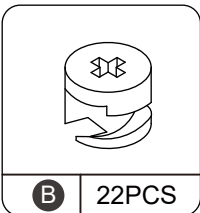
PART LIST

Illustration picture for reference only

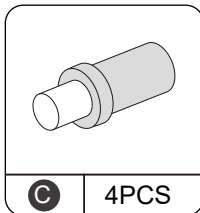




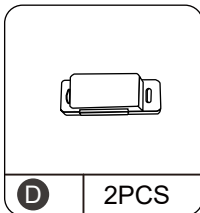
A 22PCS



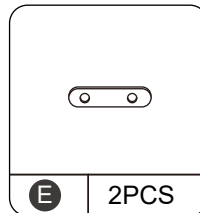
B 22PCS



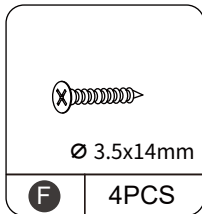
C 4PCS



D 2PCS

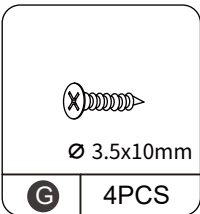


E 2PCS



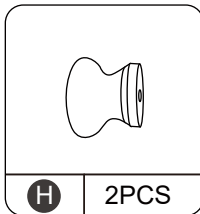
Ø 3.5x14mm

F 4PCS

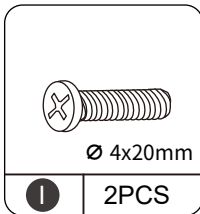


Ø 3.5x10mm

G 4PCS

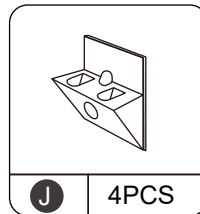


H 2PCS

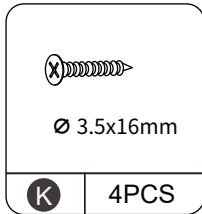


Ø 4x20mm

I 2PCS

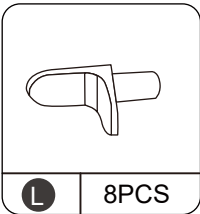


J 4PCS

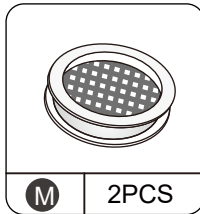


Ø 3.5x16mm

K 4PCS

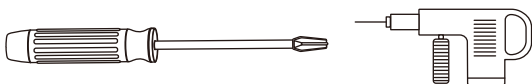


L 8PCS



M 2PCS

Requirement Tools

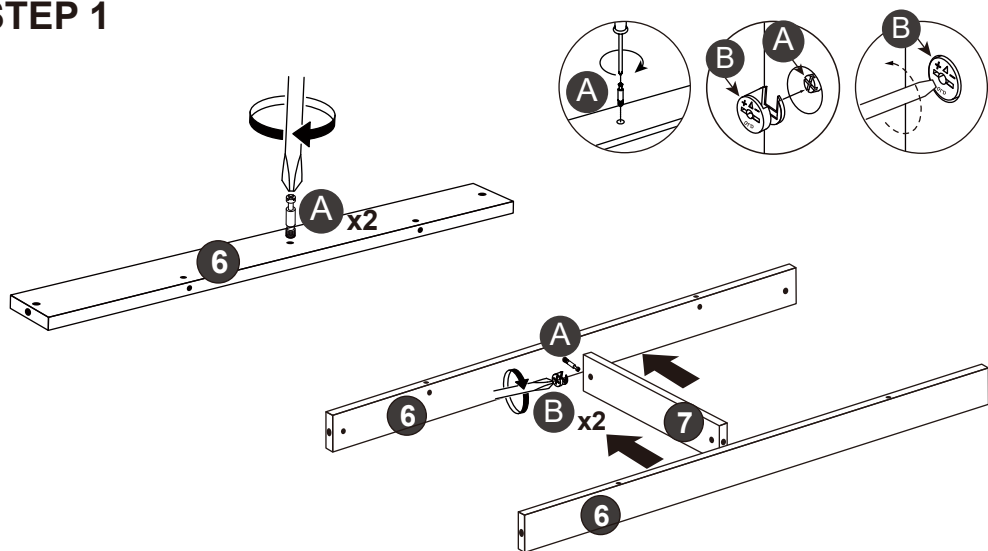


INSTALLATION STEPS

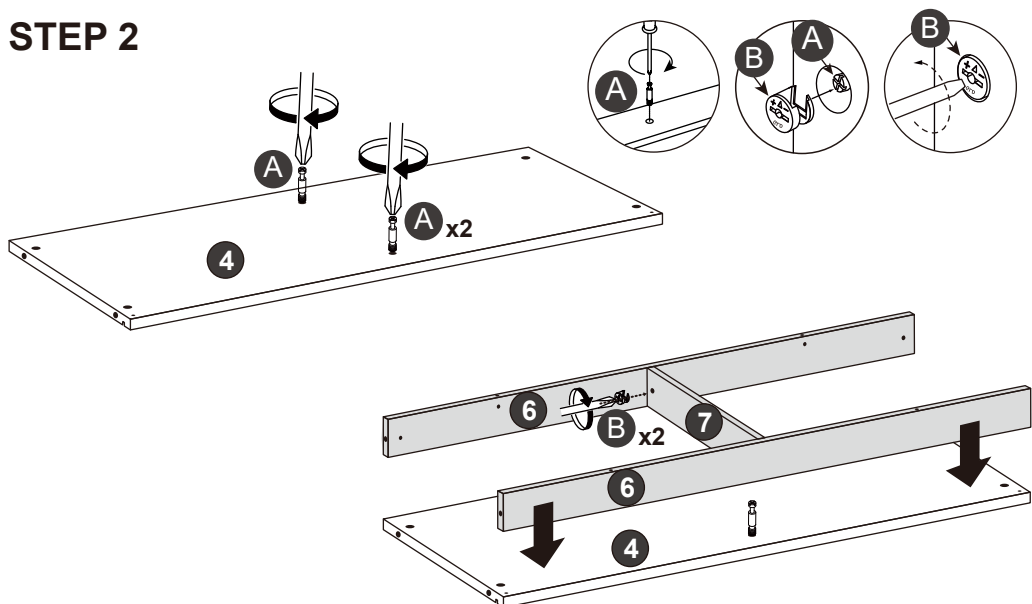
Please read the instructions carefully before assembling the cabinet.

Two adults are required for assembly of this product on a clean, flat surface instead of a rough surface.

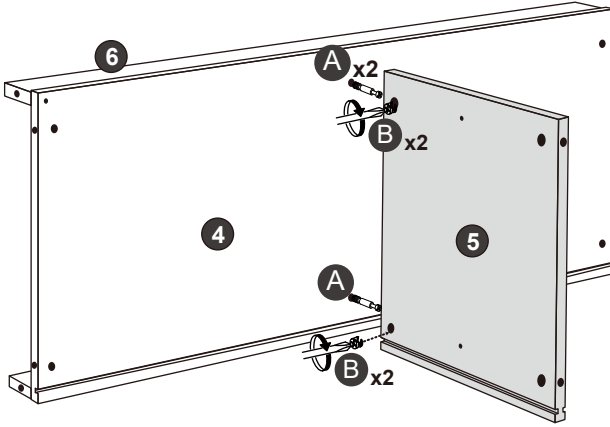
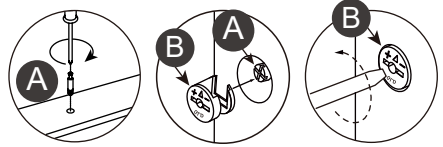
STEP 1



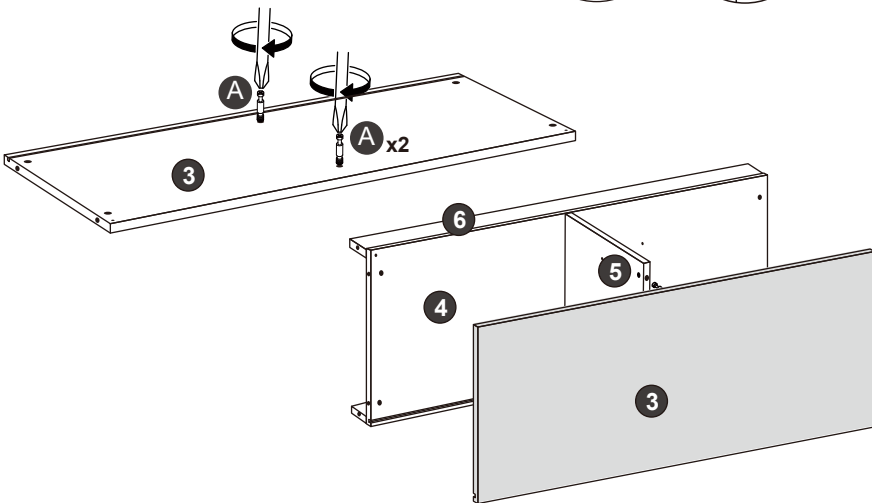
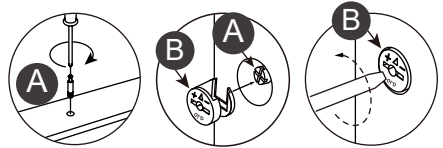
STEP 2



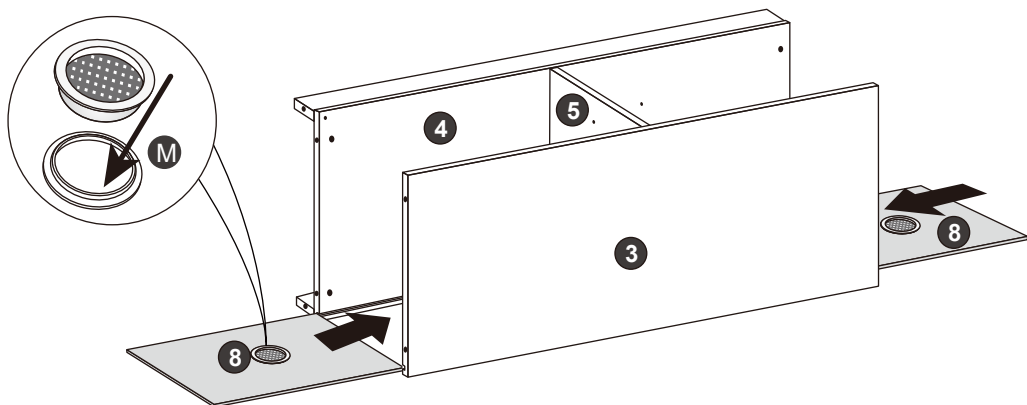
STEP 3



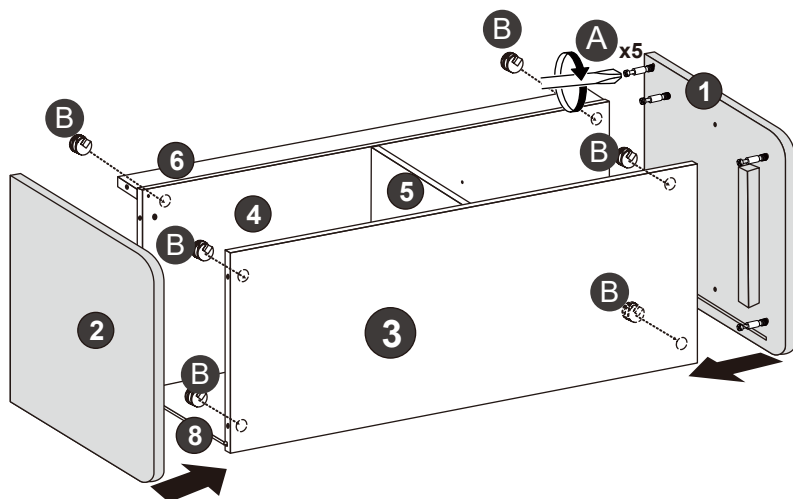
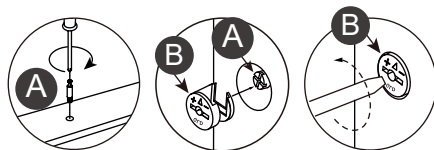
STEP 4



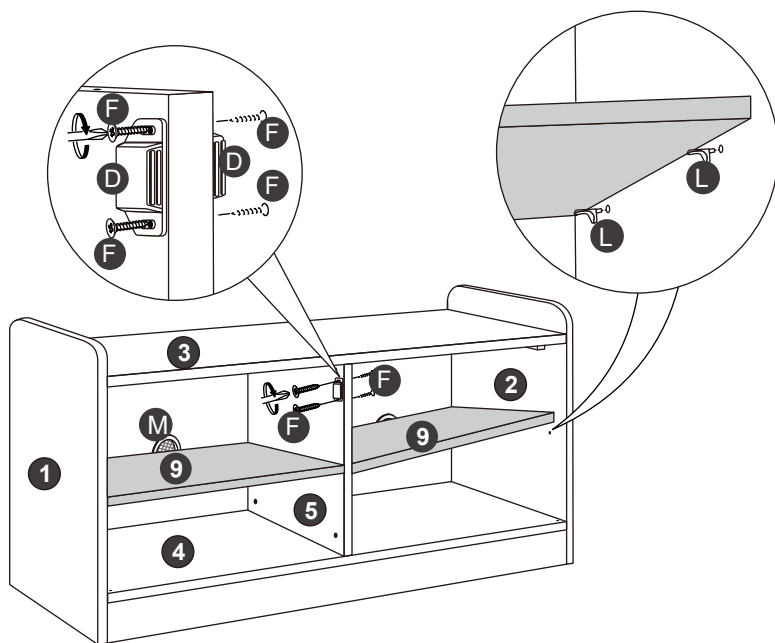
STEP 5



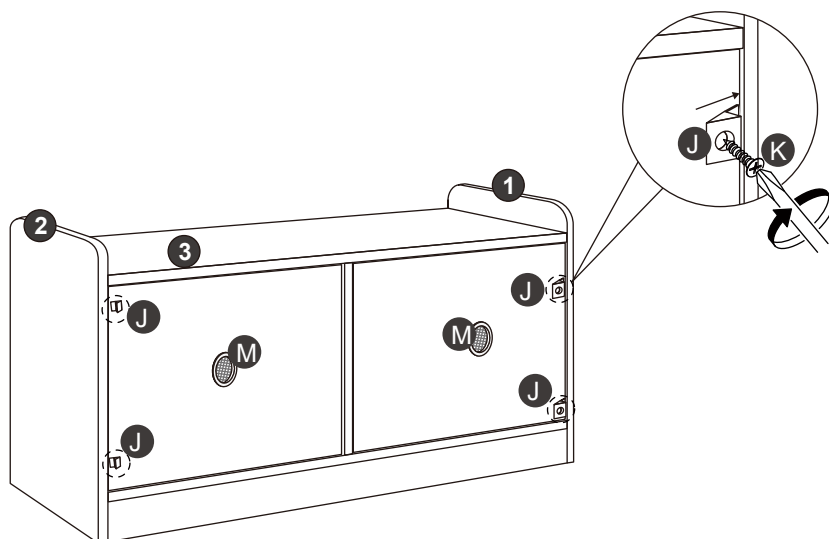
STEP 7



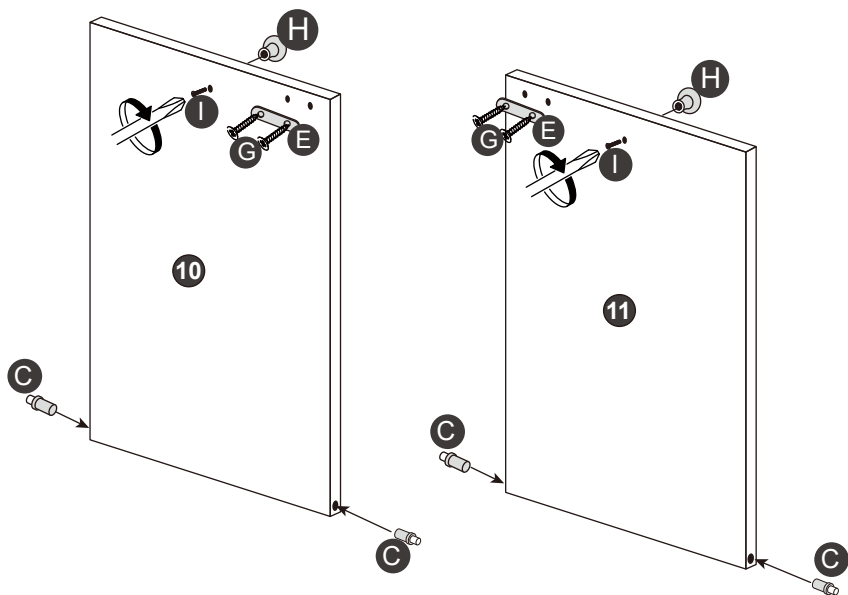
STEP 7



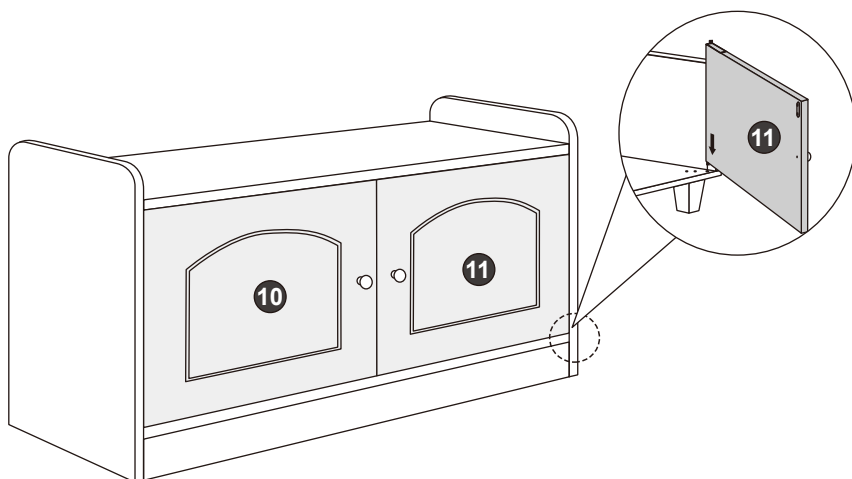
STEP 8



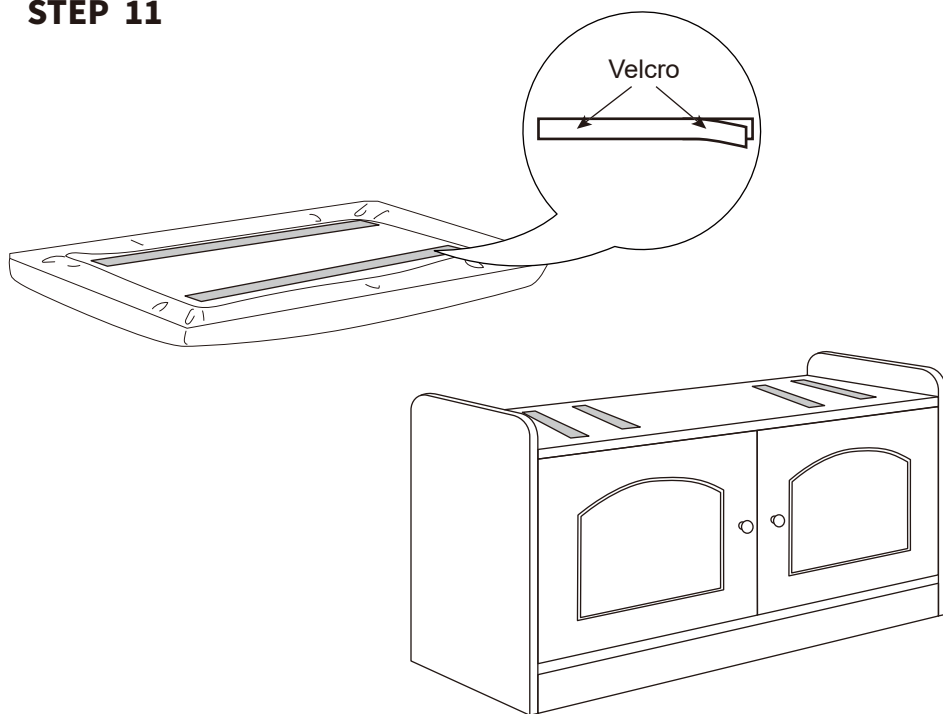
STEP 9



STEP 10



STEP 11



STEP 12

