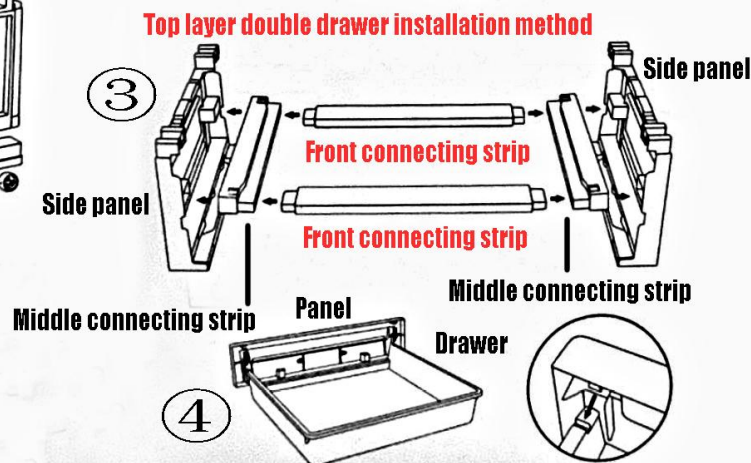
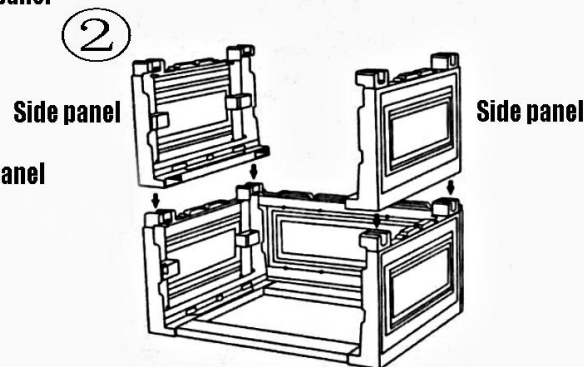
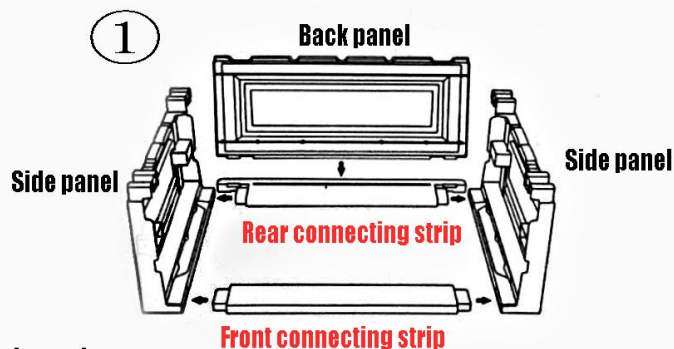
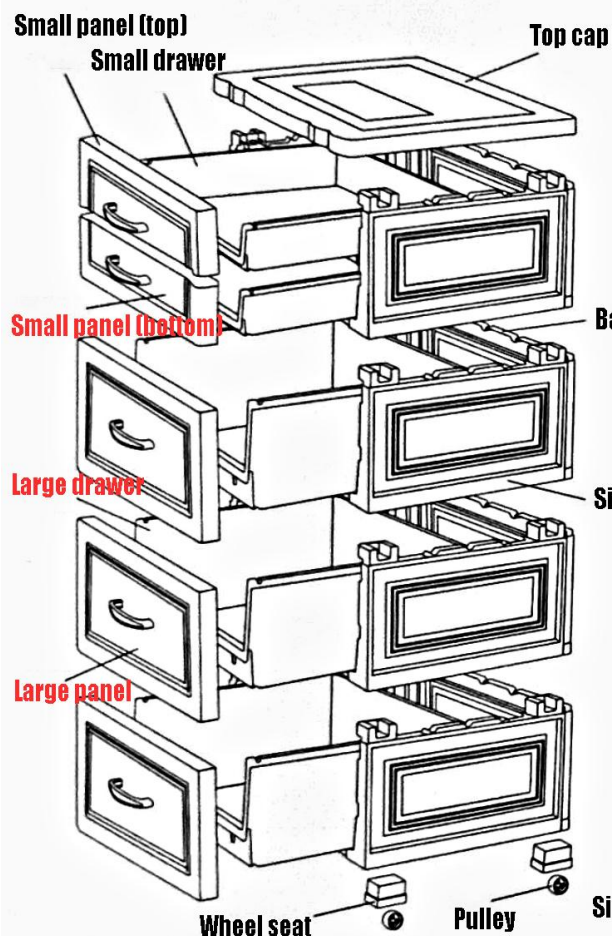


# Installation Instructions



Please read carefully these precautions about the assembly before start ( These assembly instructions start from the base )

1. Embed front and rear connection straps into the four holes at the bottom of the left and right side plates ( as shown in figure 1 )
2. Insert the rear plate into the keyway of the rear connection strap ( as shown in figure 1 )
3. Fasten the left and right side plates at higher level with the lower level plates( as shown in figure 2 )
4. Repeat steps 1.2.3 until the top level( Note:Step 5 , 6 are steps for assembly bi-drawer if the model purchased was entirely bi-drawer , please follow the same steps when assembling each level )
5. Choose any level to install the bi-drawer , embed the middle connection straps into the keyways of side plates ( the side with notation . indicating upward side .and holes should be facing upwards , as shown in figure 3 )
6. Embed the front connection strap into the hole of the middle connection strap( as shown in figure 3 ) and then put on the top panel
7. Put the drawer panel in the corresponding cell . then intall the cabinet body ( as shown in figure 4 )
8. Finally,embed the pulley wheel into the wheel connector , then put into the grooves below the left and night side plates at the bottom level , the assembly is complete

## Matters needing attention:

1. Before assembly ,please make sure there is no shortage or defect of the included parts
2. All the connecting parts should be gently pressed together and firmly wedged with the notches to make sure a stable and durable structure
3. This product is made from PP + AB materials . general plastic just as the heated plastic properties , deformation and burning heat can make the goods , and stored should be far away from fire or exposure and other places of high temperature
4. We suggest a weight load of no more than 10 kg on each drawer
5. When cleaning, please sponge it with neutral detergent , then wipe it up with a soft cloth