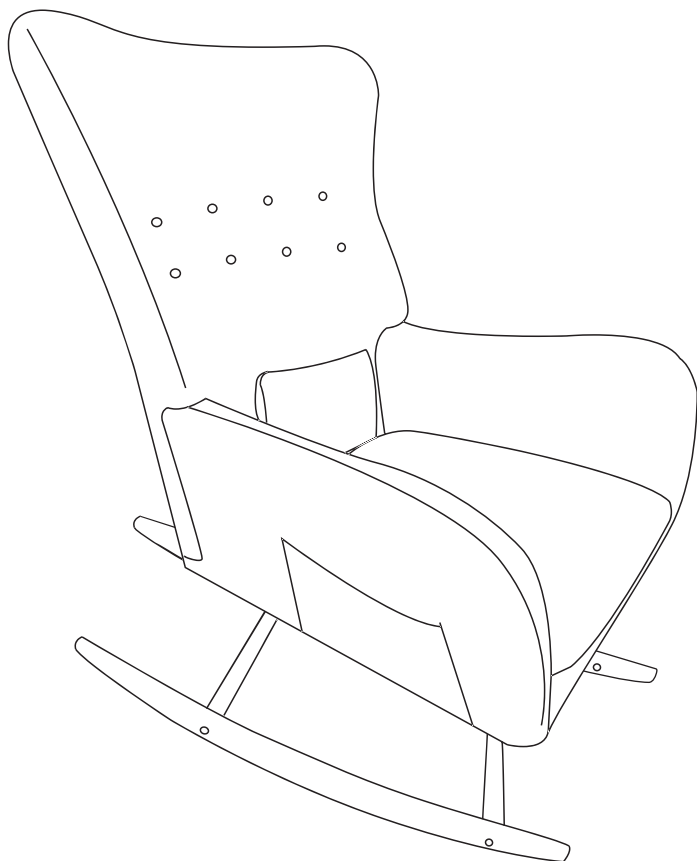


Rocking Chair



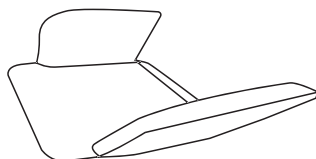
Missing parts, damages, and any problems in the installation process, please contact us by text or email. Please choose SMS or email as your first choice for communicating with us.

Parts list

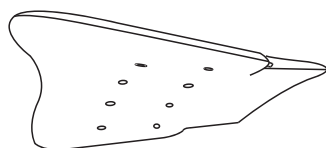
(1) A x1



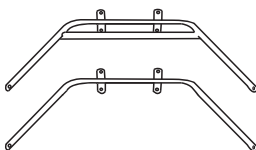
(2) B x1



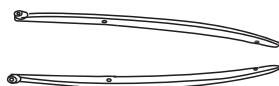
(3) C x1



(4) D x1



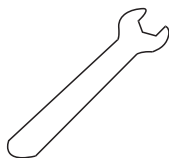
(5) E x1



(6) F x4



(7) G x1



(8) H x1



(9) I x2



(10) J x8



(11) K x4

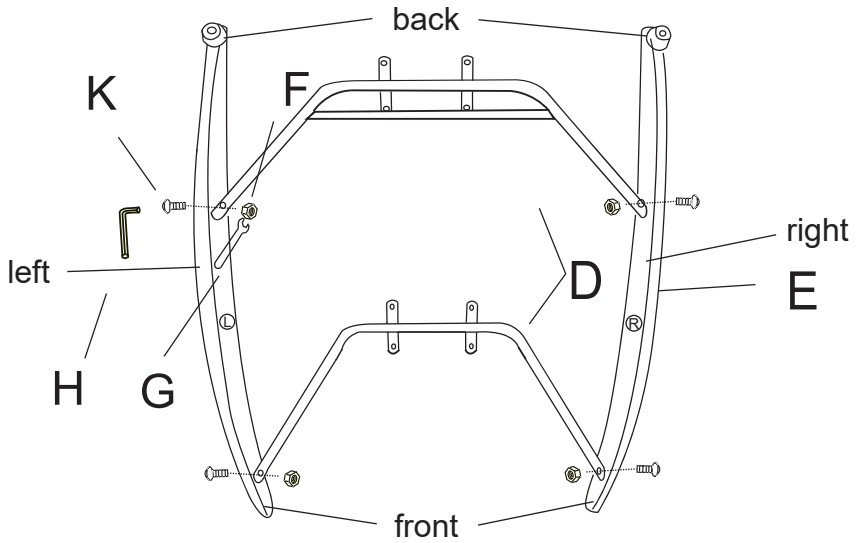


(12) L x2



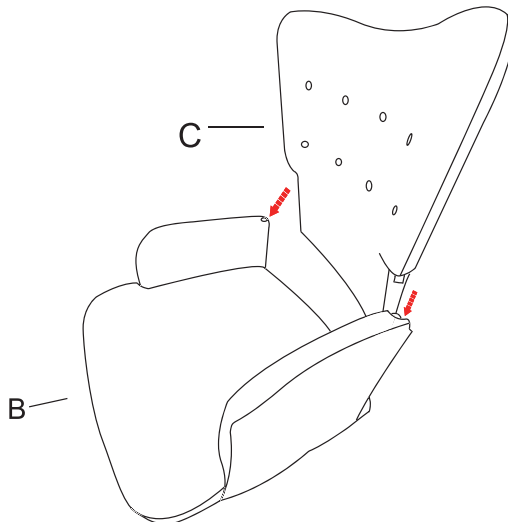
Installation steps

①



Screw the screws into the screw holes in the chair legs.

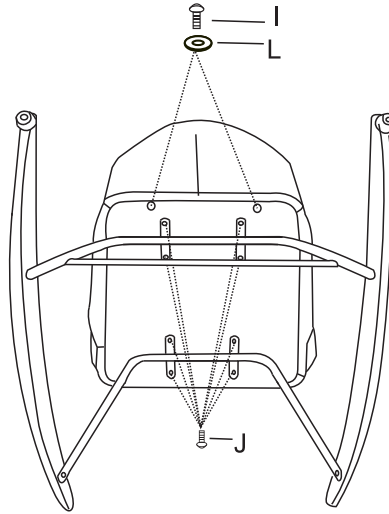
②



Connect the backrest to the seat.

Installation steps

③



Fasten the legs and seat together with screws.

④

