

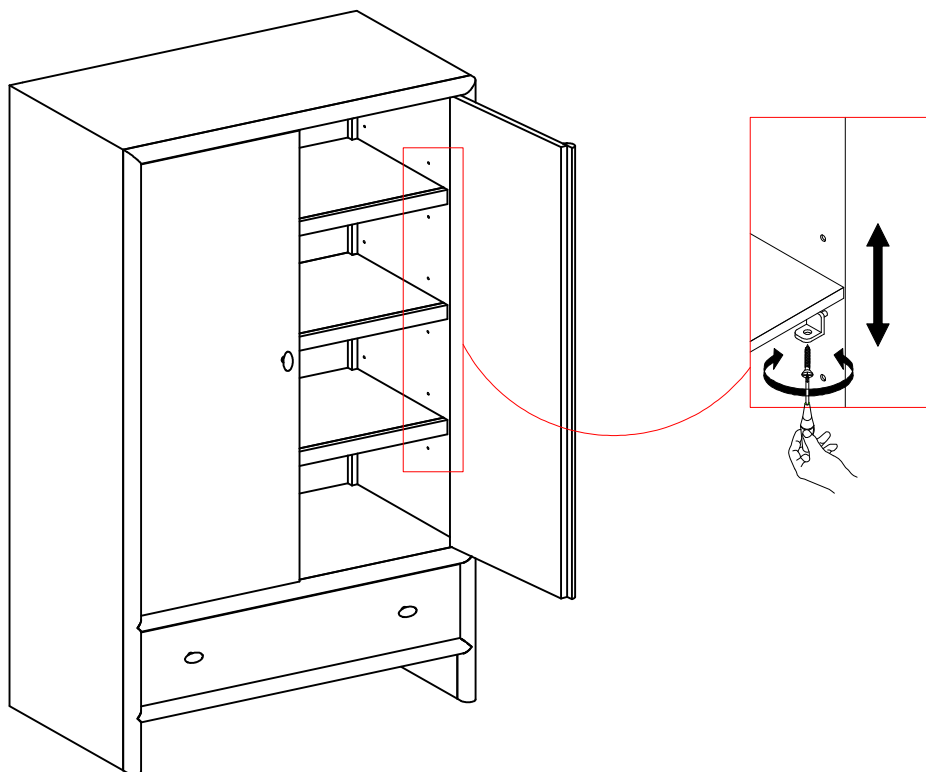
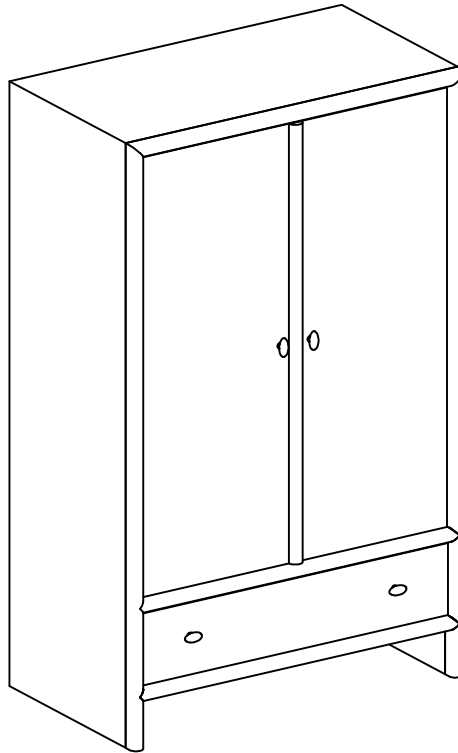
# ASSEMBLY INSTRUCTION FOR MODEL: ANALISA ARMOIRE

1



Tipping Hardware

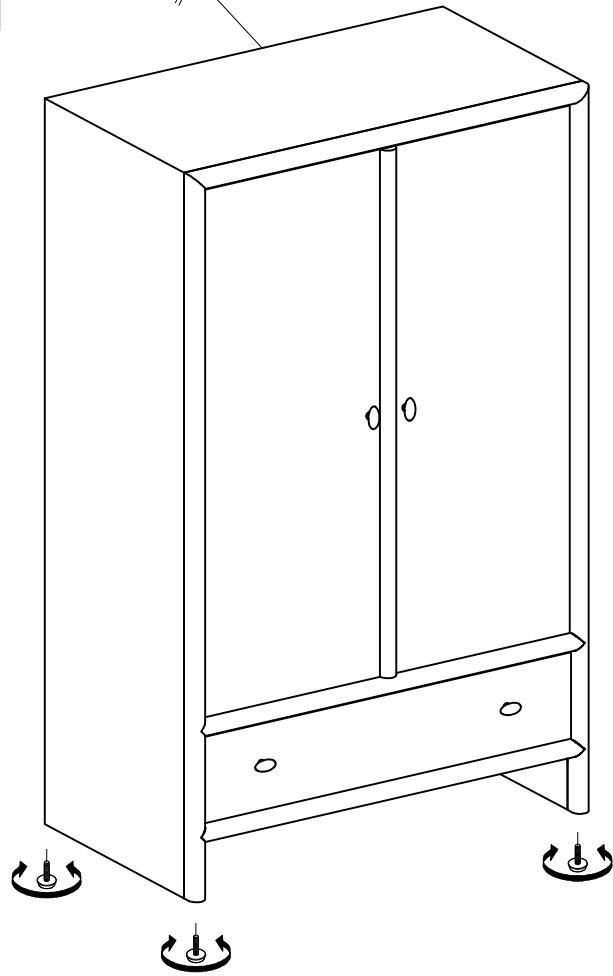
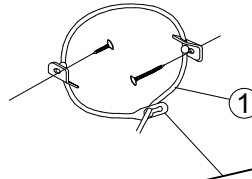
1 SET



# ASSEMBLY INSTRUCTION FOR MODEL: ANALISA ARMOIRE

★ **REMARK:** There is a tip restraint kit provided on the back of this product please read the direction thoroughly and install immediately

## Tipping Hardware



Adjustable Leveler

## Adjusting Floor Levelers

Your furniture has been expertly crafted and pre-adjusted by professionals. However, slight shifts can occur during transportation. If you notice that the doors are not perfectly aligned or the furniture wobbles, a quick adjustment can help ensure stability and a seamless look.

### Adjust the Floor Levelers

**Check for Stability** – Place the furniture in its final position on a level surface. If it wobbles or doesn't sit evenly, the floor levelers need adjusting.

**Locate the Levelers** – These are small adjustable feet found at the bottom corners of your furniture.

**Adjust as Needed** – Using your hand or a wrench, turn the levelers clockwise to raise or counterclockwise to lower the furniture. Make small adjustments and check stability after each turn.

# ASSEMBLY INSTRUCTION FOR MODEL: ANALISA ARMOIRE

## Adjusting door hinges

Your furniture has been expertly crafted and pre-adjusted by professionals. However, slight shifts can occur during transportation. If you notice that the doors are not perfectly aligned or the furniture wobbles, a quick adjustment can help ensure stability and a seamless look.

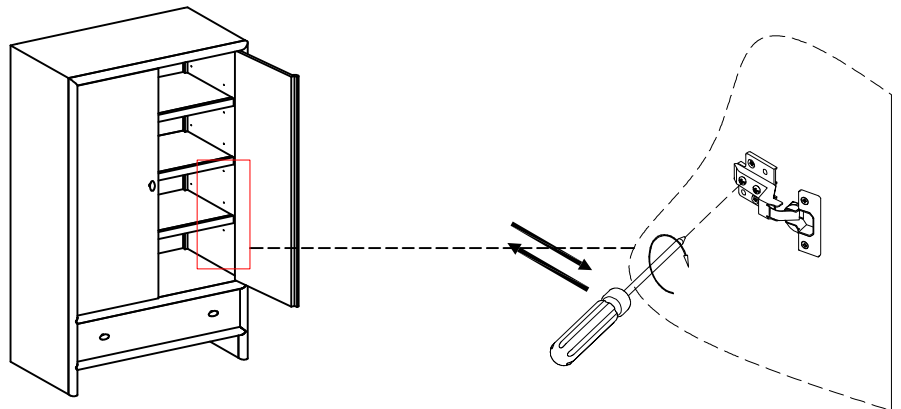
### Adjust the Hinges (if Necessary)

Make sure that the furniture is level left to right and front to back before attempting to adjust the hinges

**Identify the Hinges** - The hinges have adjustment screws that control movement in different directions.

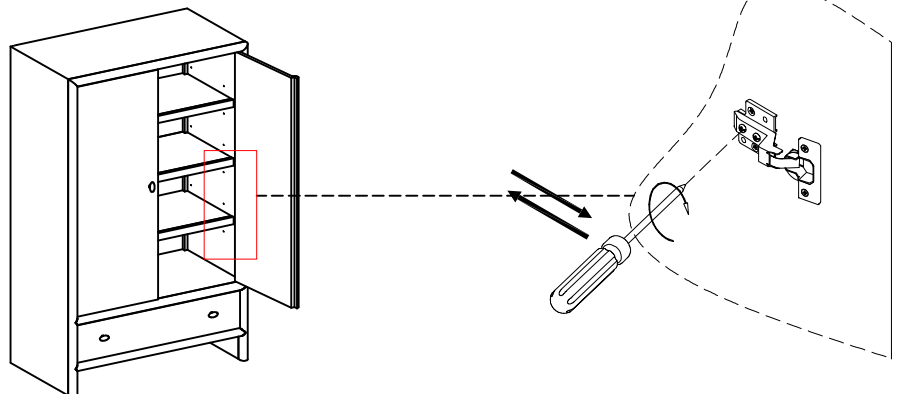
#### 1. UP and Down Adjustment:

To move the sideboard door higher or lower



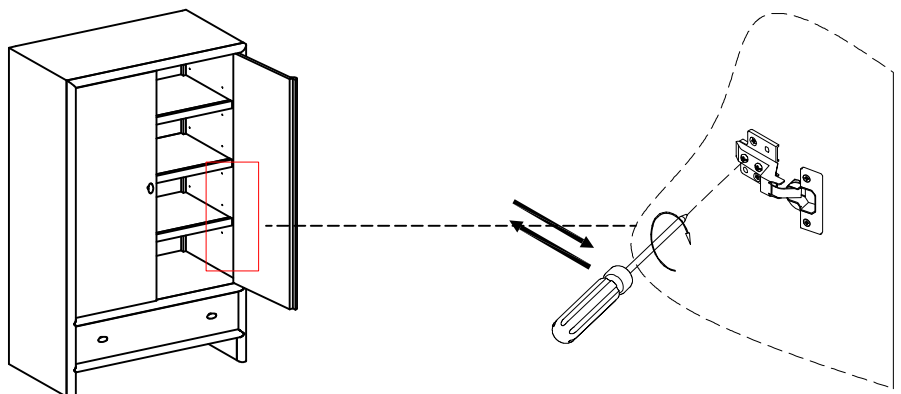
#### 2. Left and Right Adjustment:

To shift the sideboard door sideways for alignment



#### 3. Back and forth adjustment:

To move the sideboard door closer to or farther from the sideboard frame



### Important notes:

While adjusting the hinges, firmly hold the door in place to prevent it from falling and getting damaged.

Repeatedly tightening and loosening the hinge screws can cause the screw holes to widen. To avoid this, minimize adjustments and avoid overtightening.