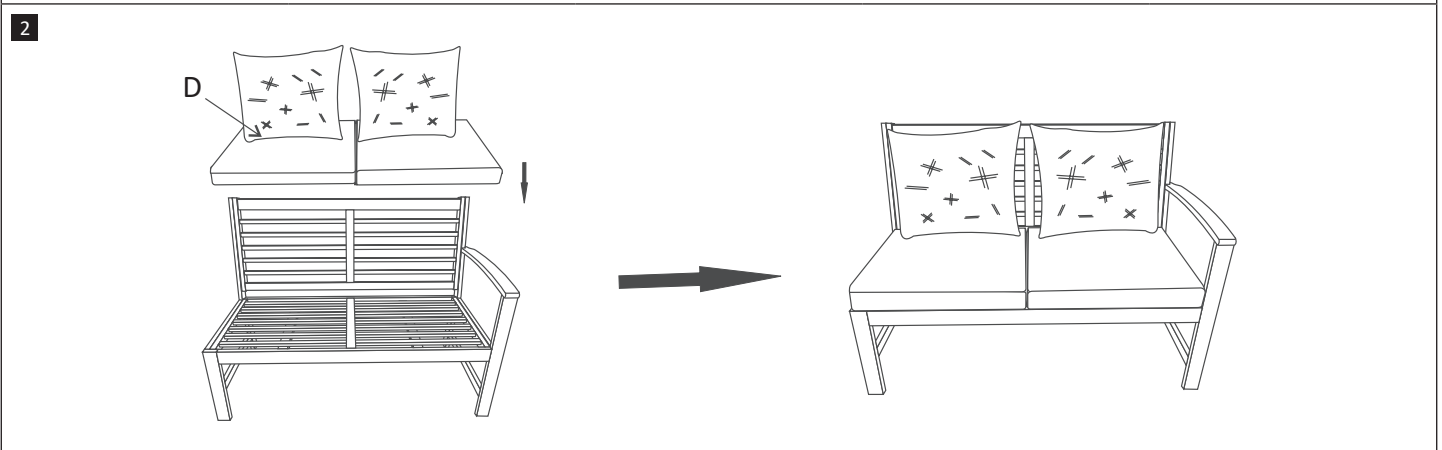
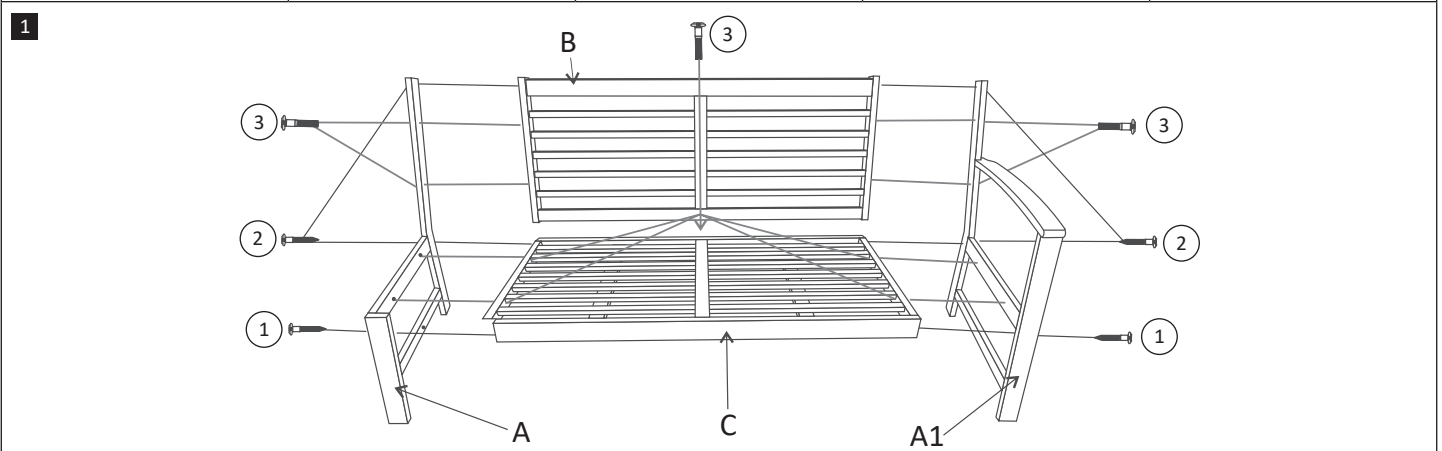


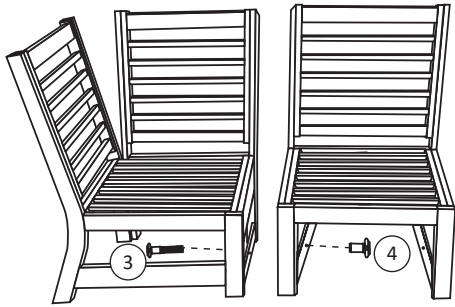
mm
inch

x1

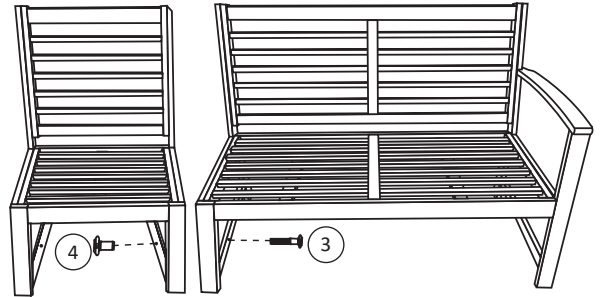
<p>Ax1</p>	<p>A1x1</p>	<p>Bx1</p>	<p>Cx1</p>	<p>Dx2</p>
<p>① x2</p> <p>M7x $\frac{90}{3.0}$</p>	<p>② x4</p> <p>M7x $\frac{70}{2.8}$</p>	<p>③ x9</p> <p>M6x $\frac{40}{1.6}$</p>	<p>④ x1</p> <p>M6x $\frac{15}{0.6}$</p>	<p>⑤ x2</p>



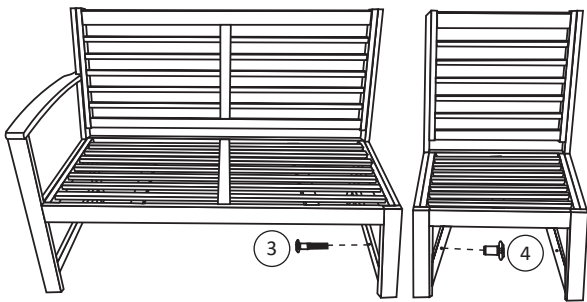
3



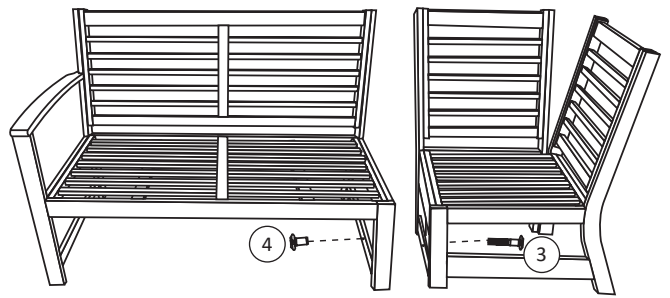
4



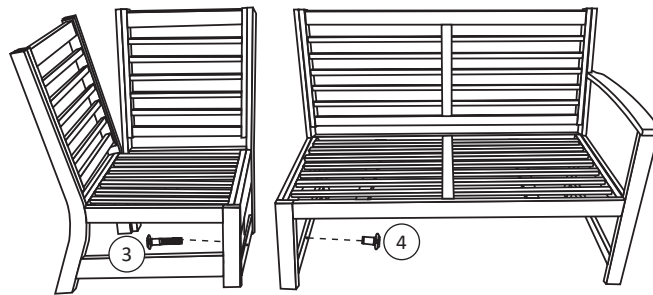
5



6



7



8

