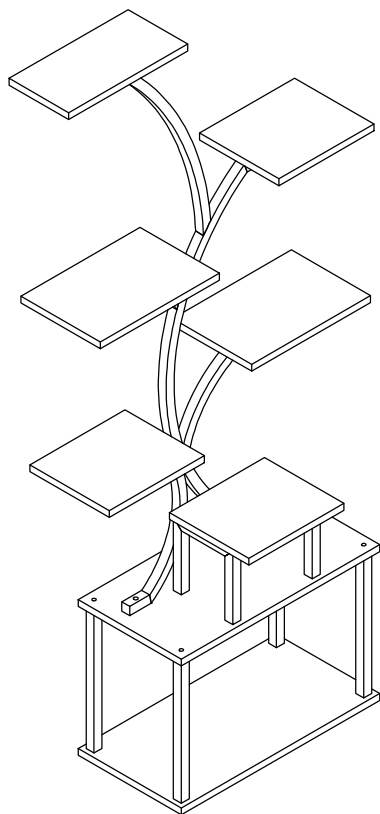
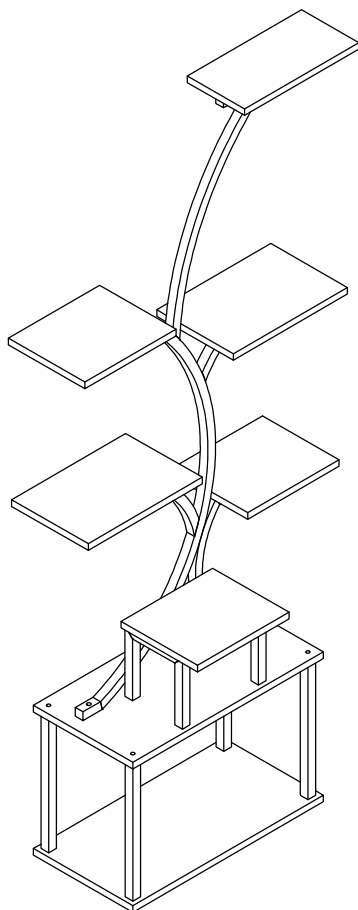


# ASSEMBLY INSTRUCTION



Installation Option I



Installation Option II

# ASSEMBLY INSTRUCTION

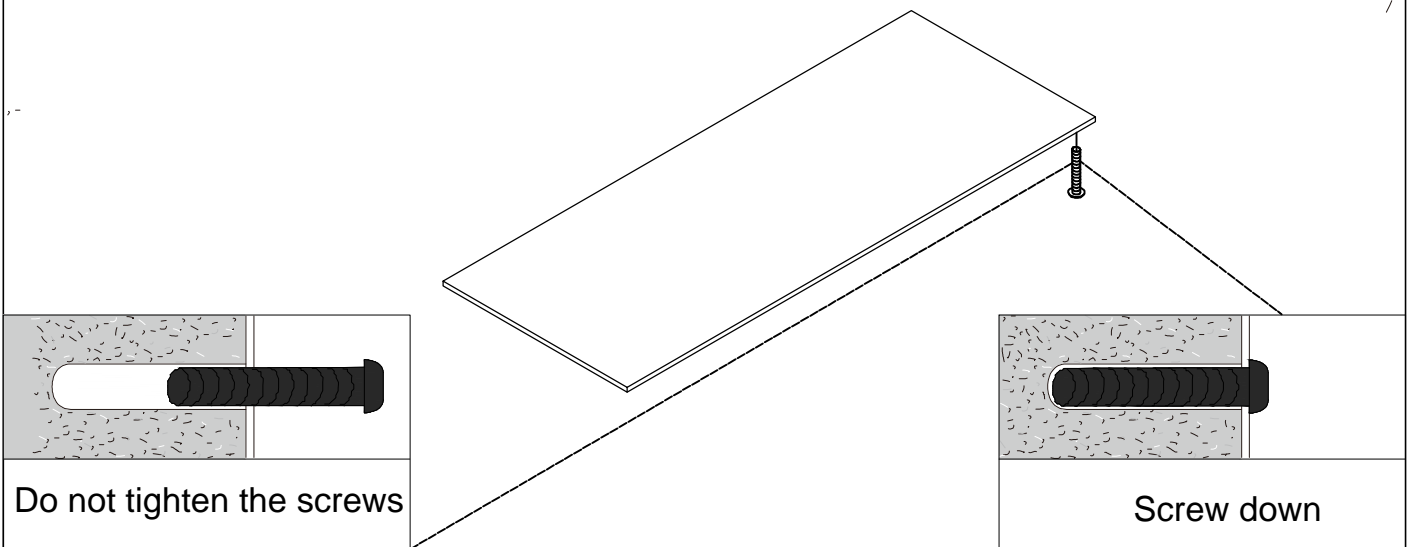
## Matters needing attention

(1) When installing the screws in the installation step, the screws do not need to be tightened.

then tighten all the screws.

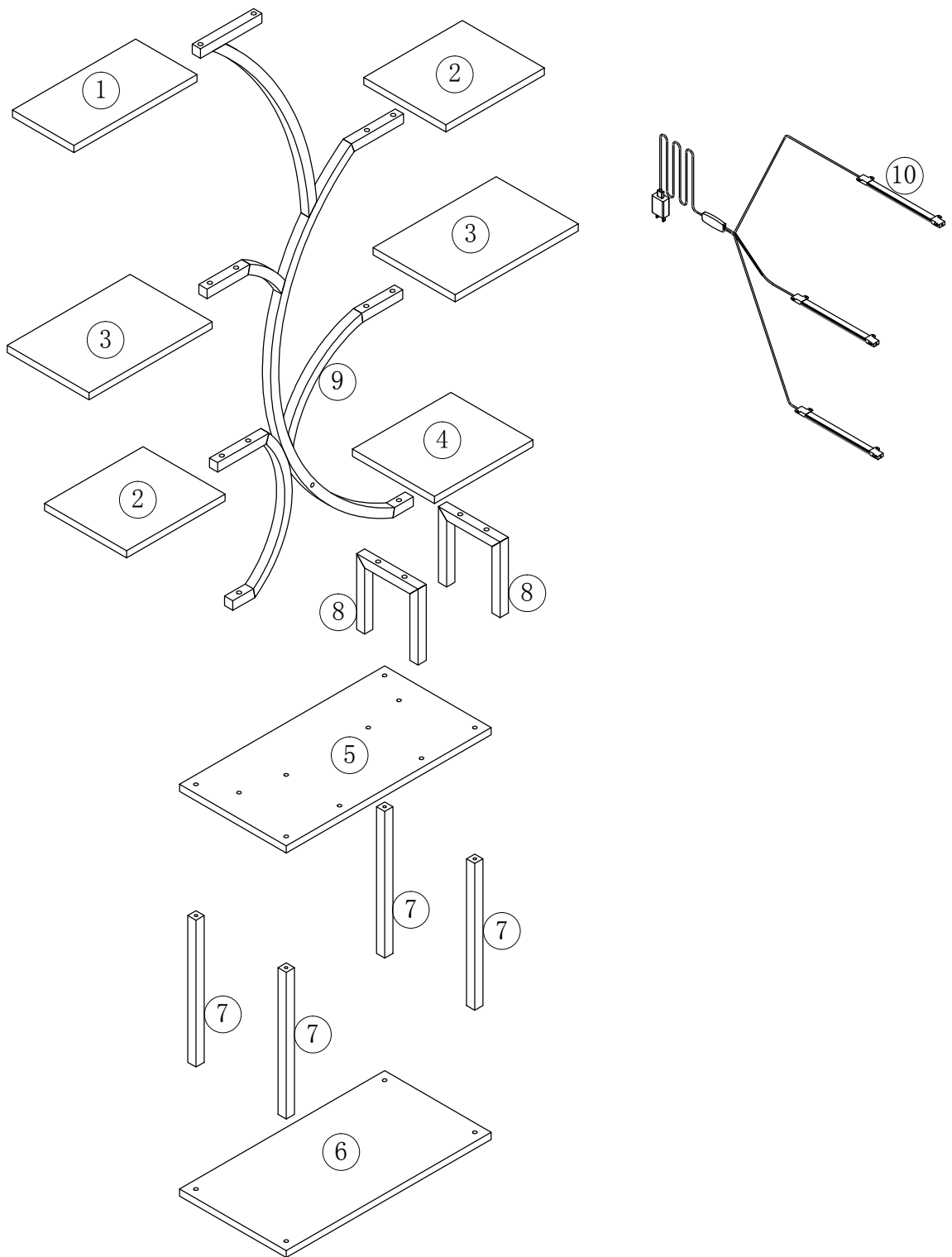
After this installation step is confirmed and the holes are aligned,

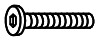















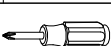
(2) If the screws are tightened during the installation process, it will cause problems such as misalignment of the screw holes and misalignment of the board in subsequent installations.



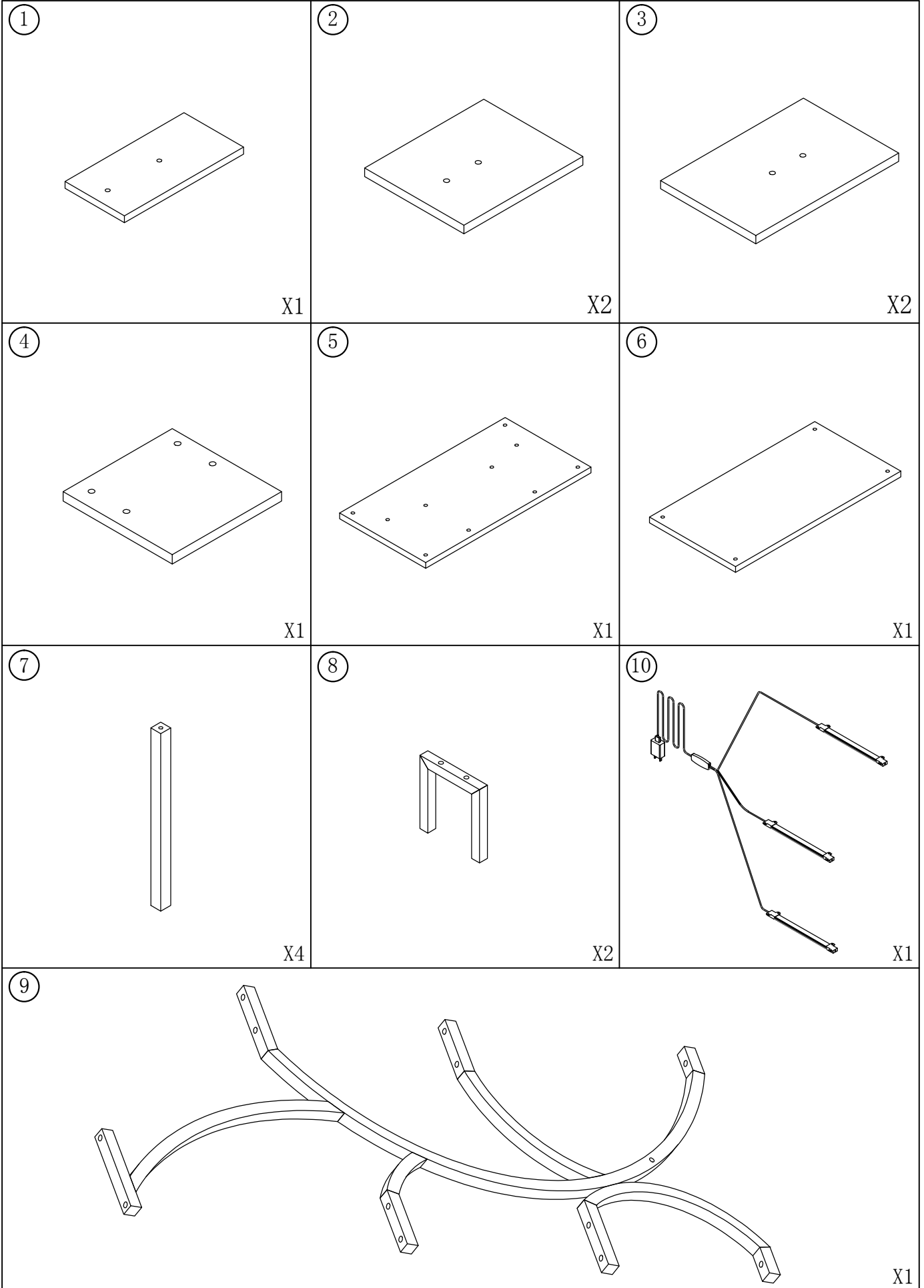
If you encounter any problems during the installation or use you can contact us at any time, we will resolve your issue within 24 hours

# ASSEMBLY INSTRUCTION



No.	PICTURE	SIZE	QTY	No.	PICTURE	SIZE	QTY
A	 	M6*30	14	E	 	ST7*40	1
B	 	M6*30	8	F		M6	2
C	 	M6*35	4	G	 X2  X2  X2		1
D	 	M6*45	2		  		1

# ASSEMBLY INSTRUCTION

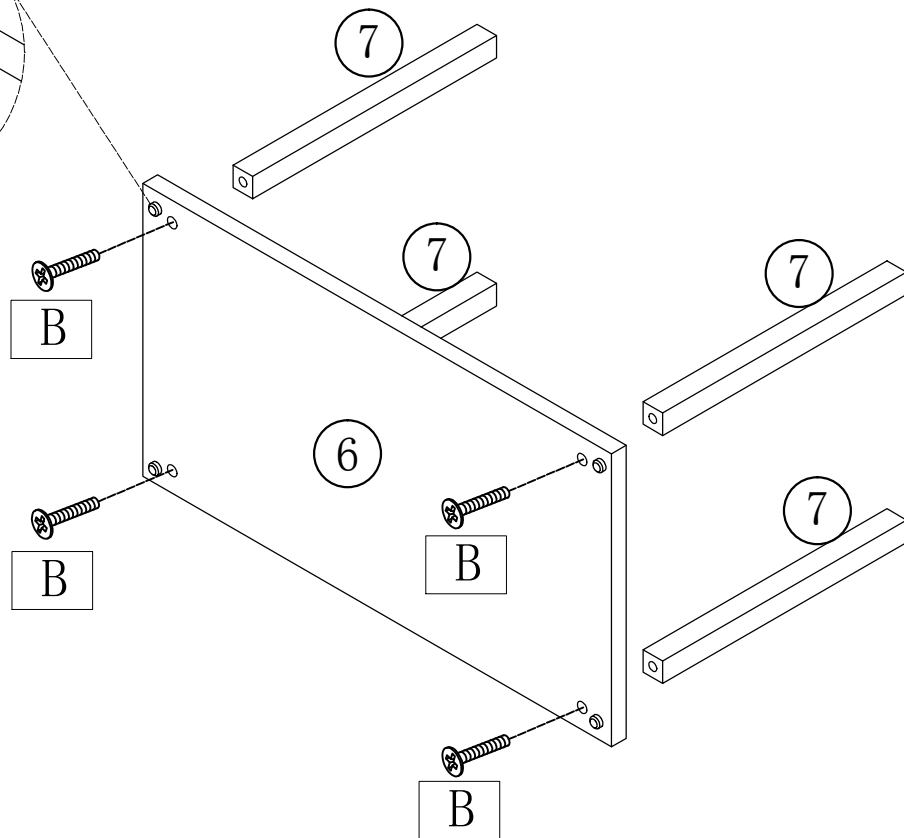
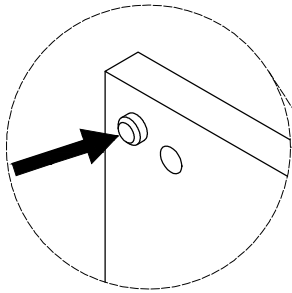


# ASSEMBLY INSTRUCTION

Notes: Don't tighten screws completely at first, just in case parts were assembled wrong and need disassembled. Tighten screws at last when all parts are put together.

STEP 1

## Foot nail



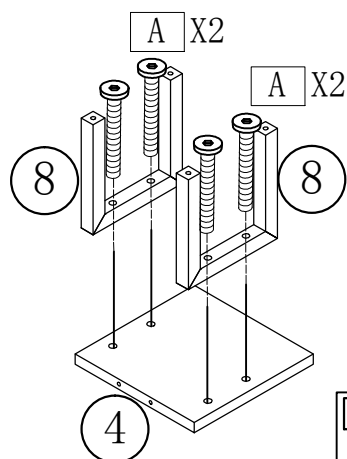
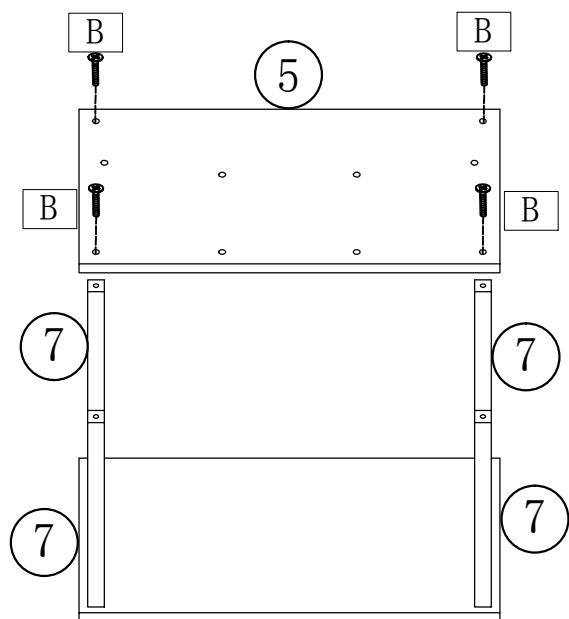
B M6\*30mm

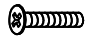



X4

# ASSEMBLY INSTRUCTION

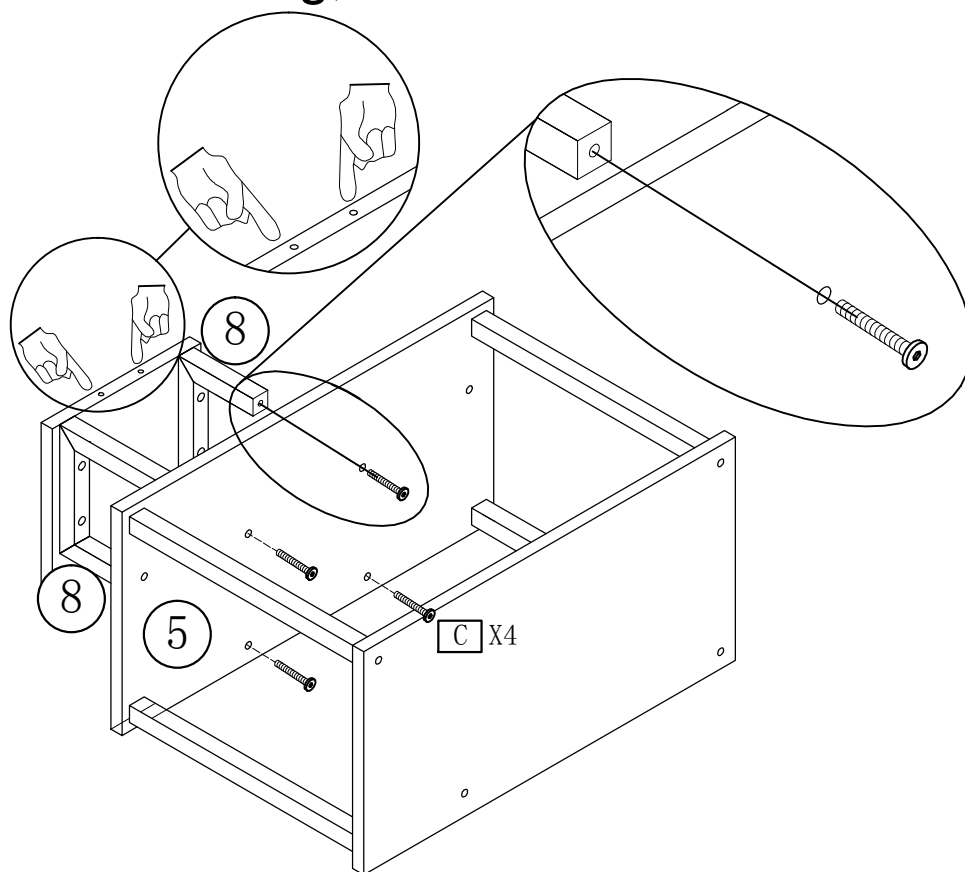
STEP 2




B	M6*30mm
	X4
A	M6*30mm
	X4

STEP 3

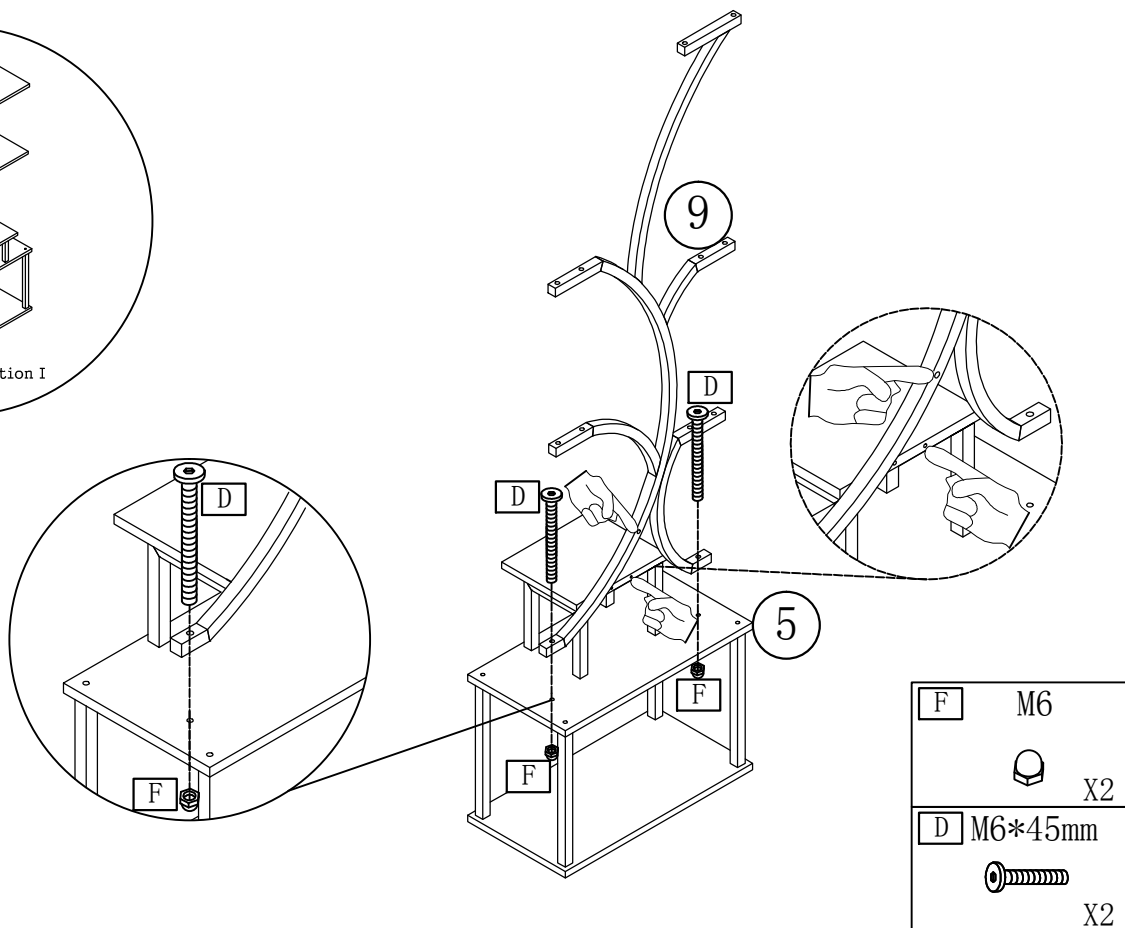
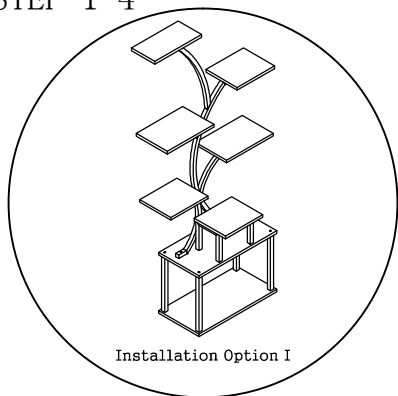
When installing, the two holes should face back.



C	M6*35mm
	X4

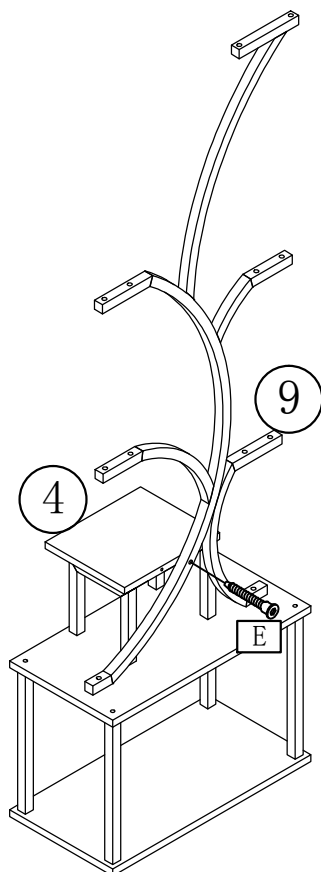
# ASSEMBLY INSTRUCTION

STEP 1-4



F	M6
	X2
D	M6*45mm
	X2

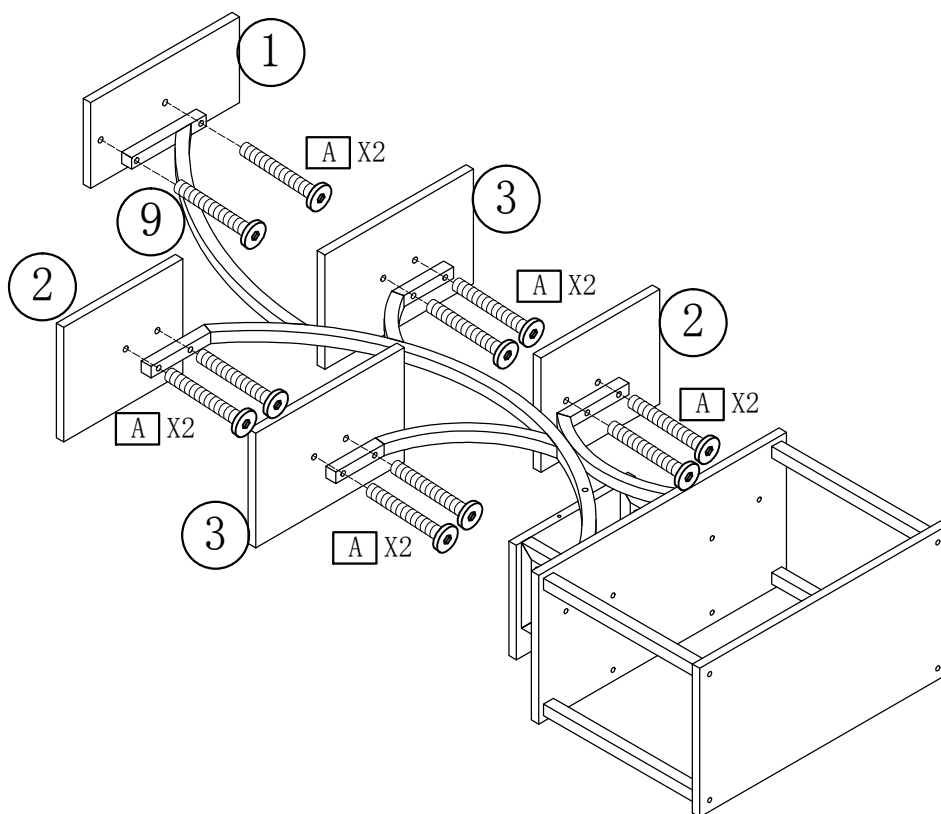
STEP 1-5




E	ST7*40mm
	X1

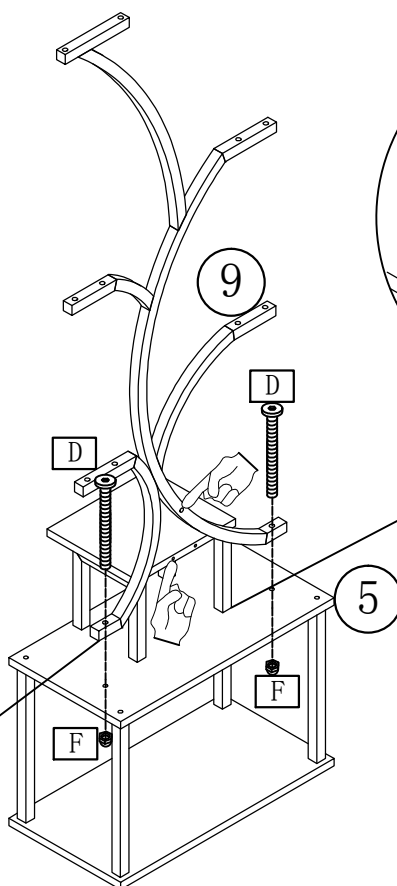
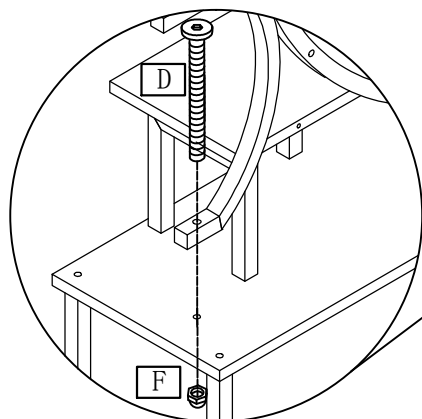
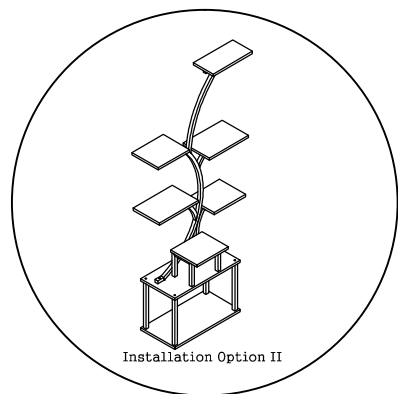
# ASSEMBLY INSTRUCTION


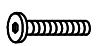
STEP 1-6



A M6\*30mm  
  
 X10

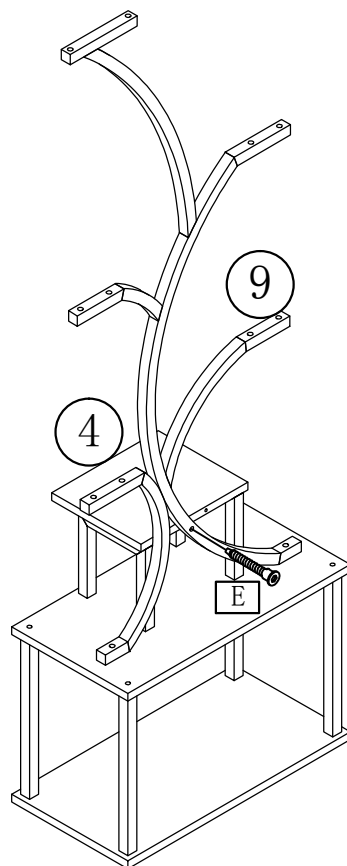
STEP 2-7

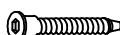


F M6  
  
 X2  
 D M6\*45mm  
  
 X2

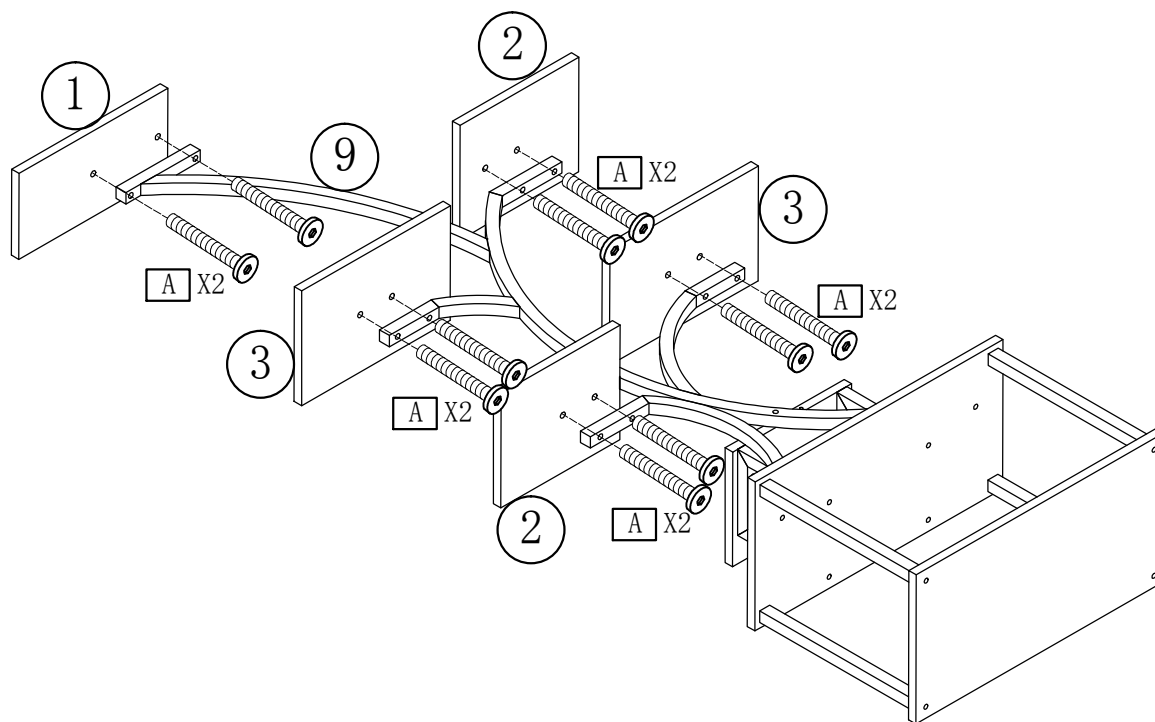
# ASSEMBLY INSTRUCTION

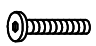
STEP 2-8



D ST7\*40mm  
  
X1

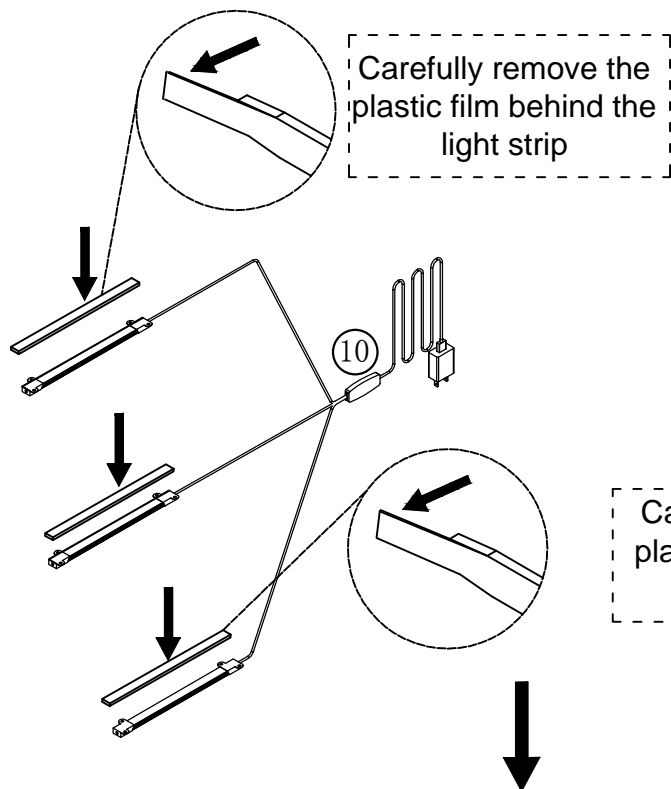
STEP 2-9



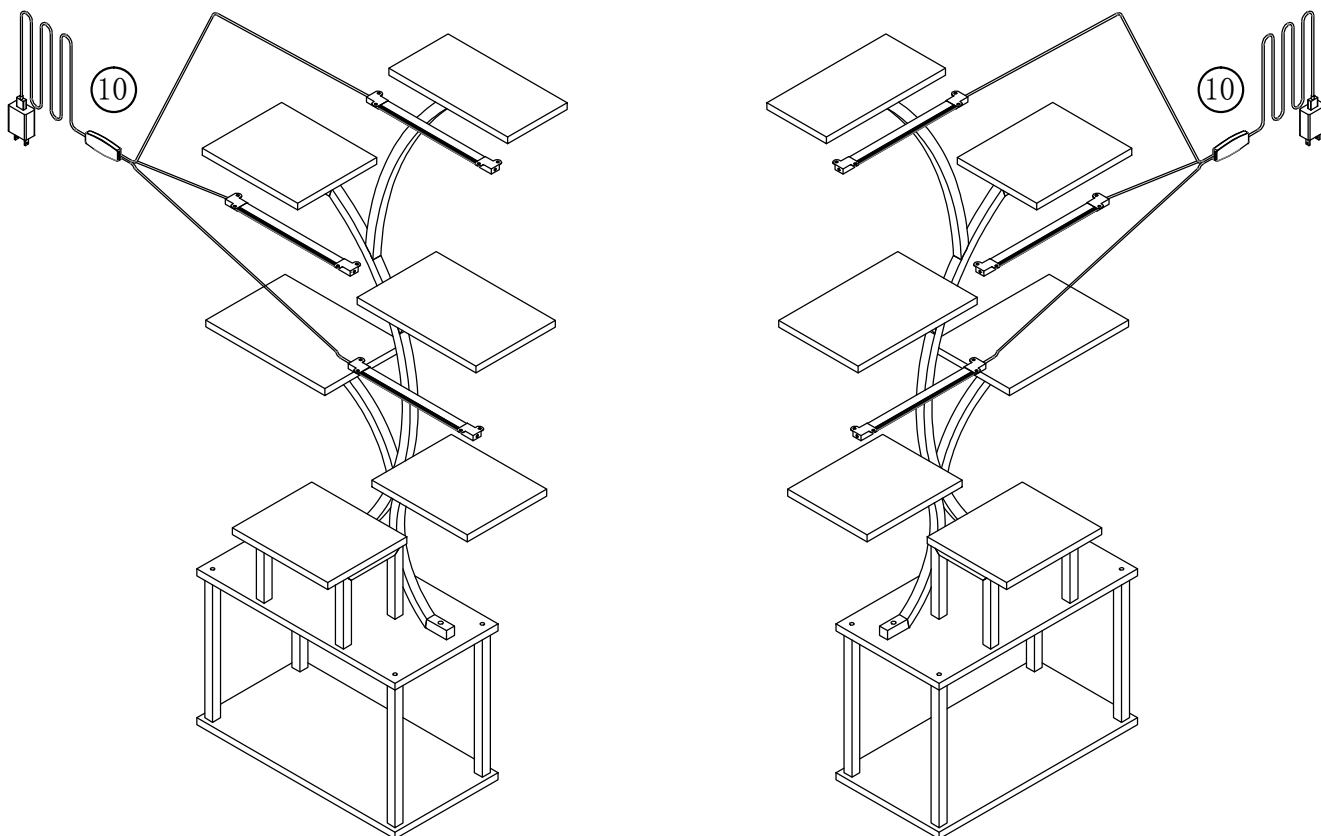
A M6\*30mm  
  
X10

# ASSEMBLY INSTRUCTION

STEP 10



The light strip can be pasted to the desired position according to your own needs



# ASSEMBLY INSTRUCTION

STEP 10

