

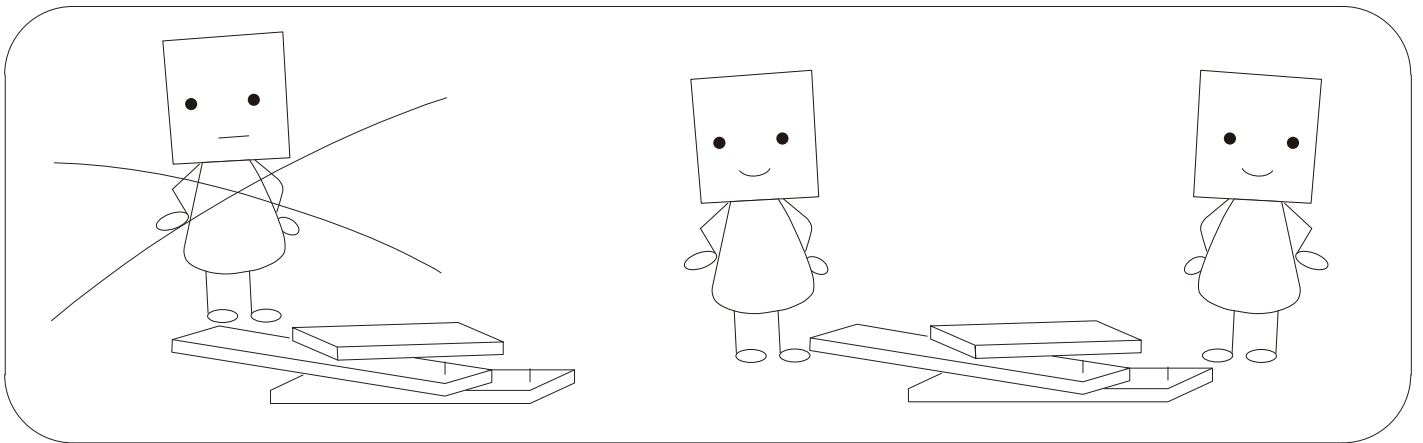
ASSEMBLY INSTRUCTION



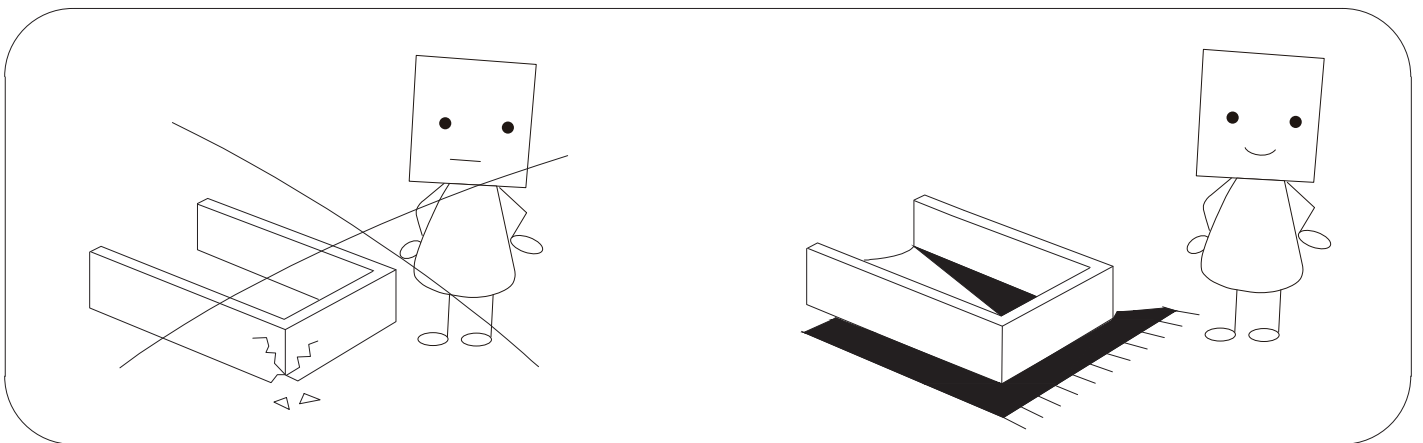


WARNING

Need Two Or More People To Complete

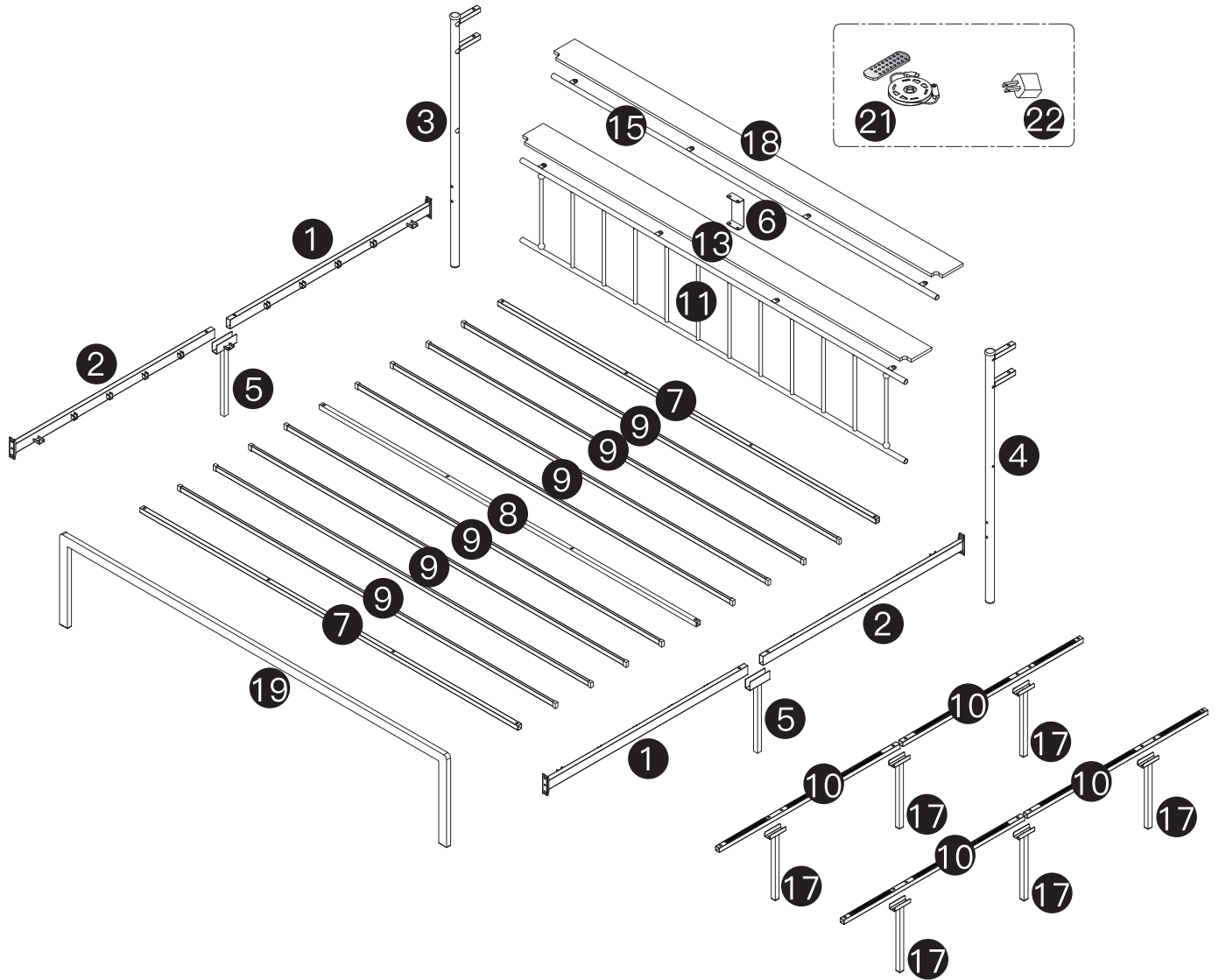


Assemble Item On a Clean Flat Surface



- Please check you have all hardware before assembling.
- Please ensure you have the name of the item and hardware part required and quantity.
- If you have any questions, please contact us by original purchase platform. we will reply you ASAP.

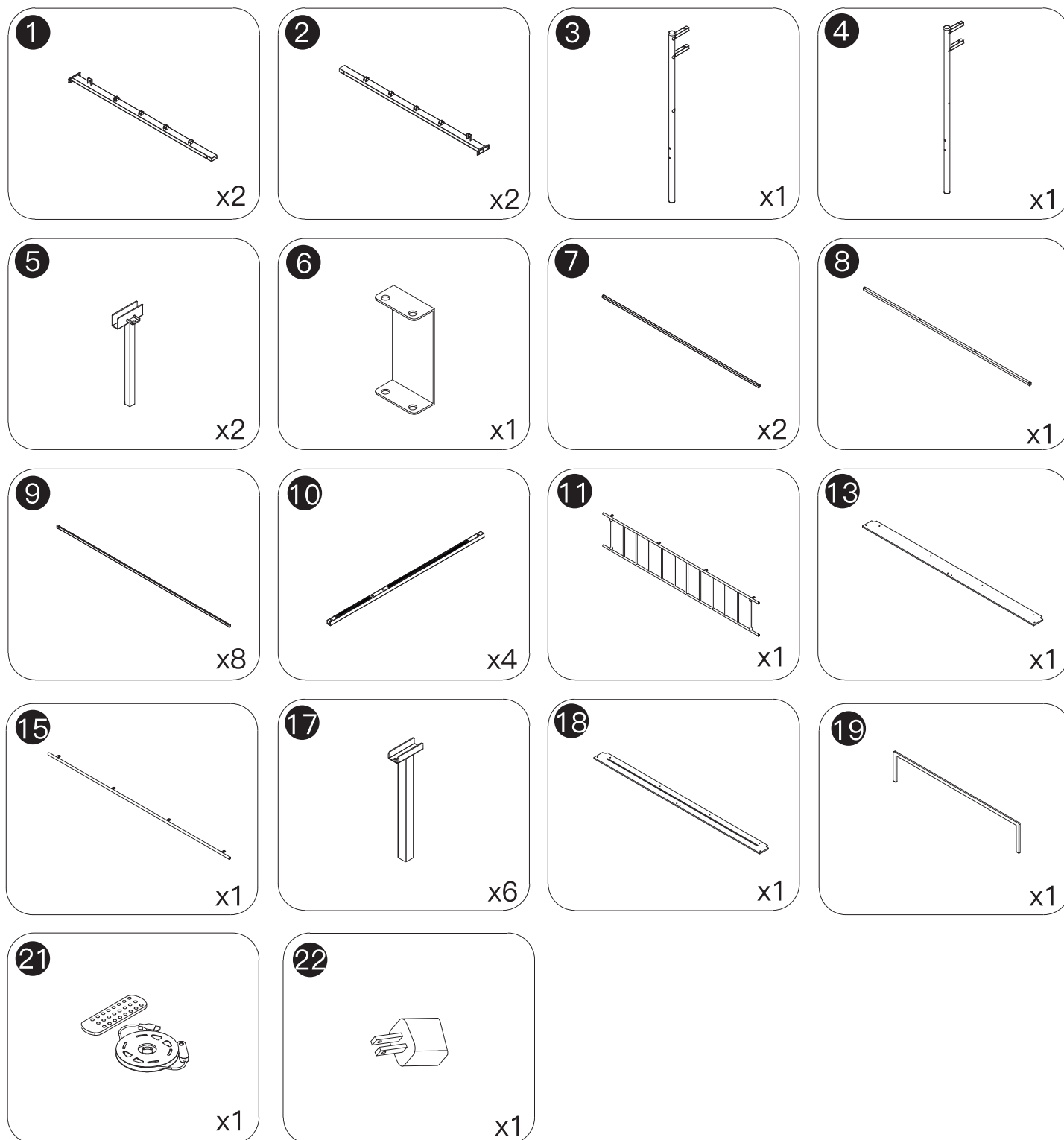
EXPLODED DRAWING:

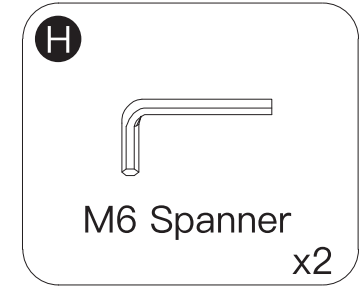
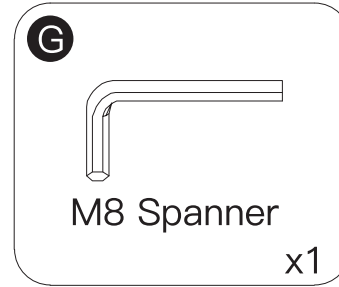
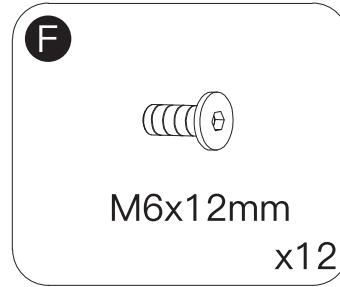
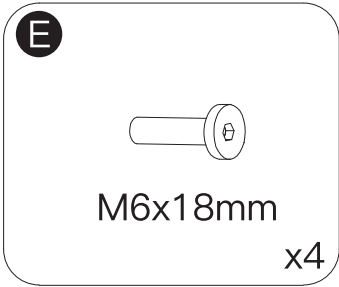
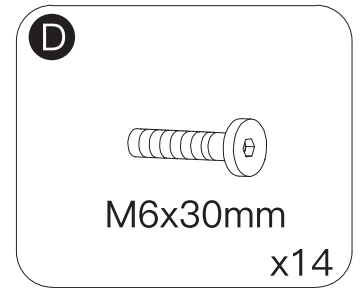
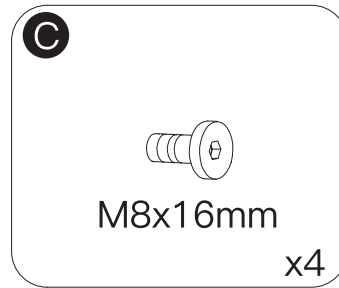
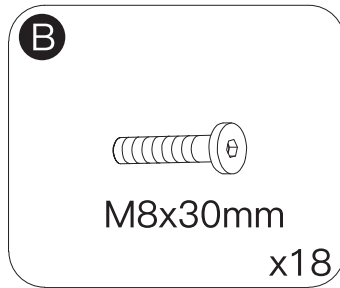
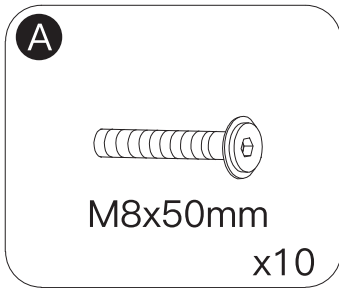


Please check all parts and accessories according to the parts list before assembling, make sure all contents are sufficient and in good condition.

If there is any parts missing or defective, please contact us with purchase platform message immediately to get replacement parts.

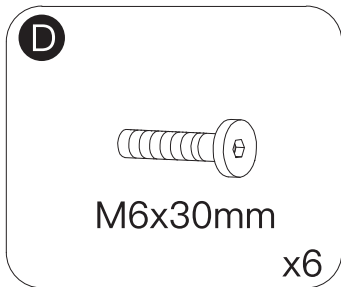
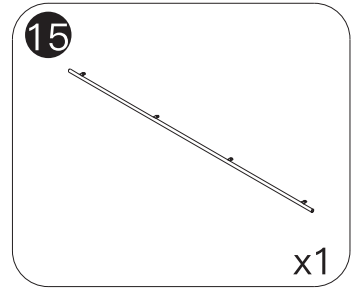
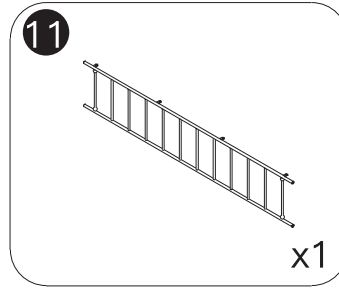
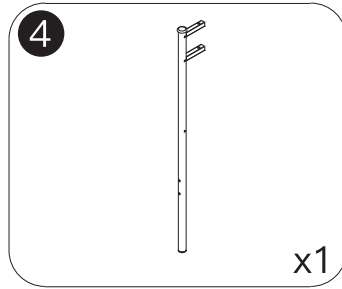
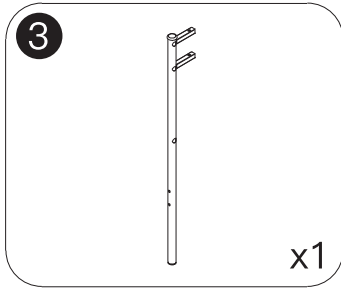
PARTS:



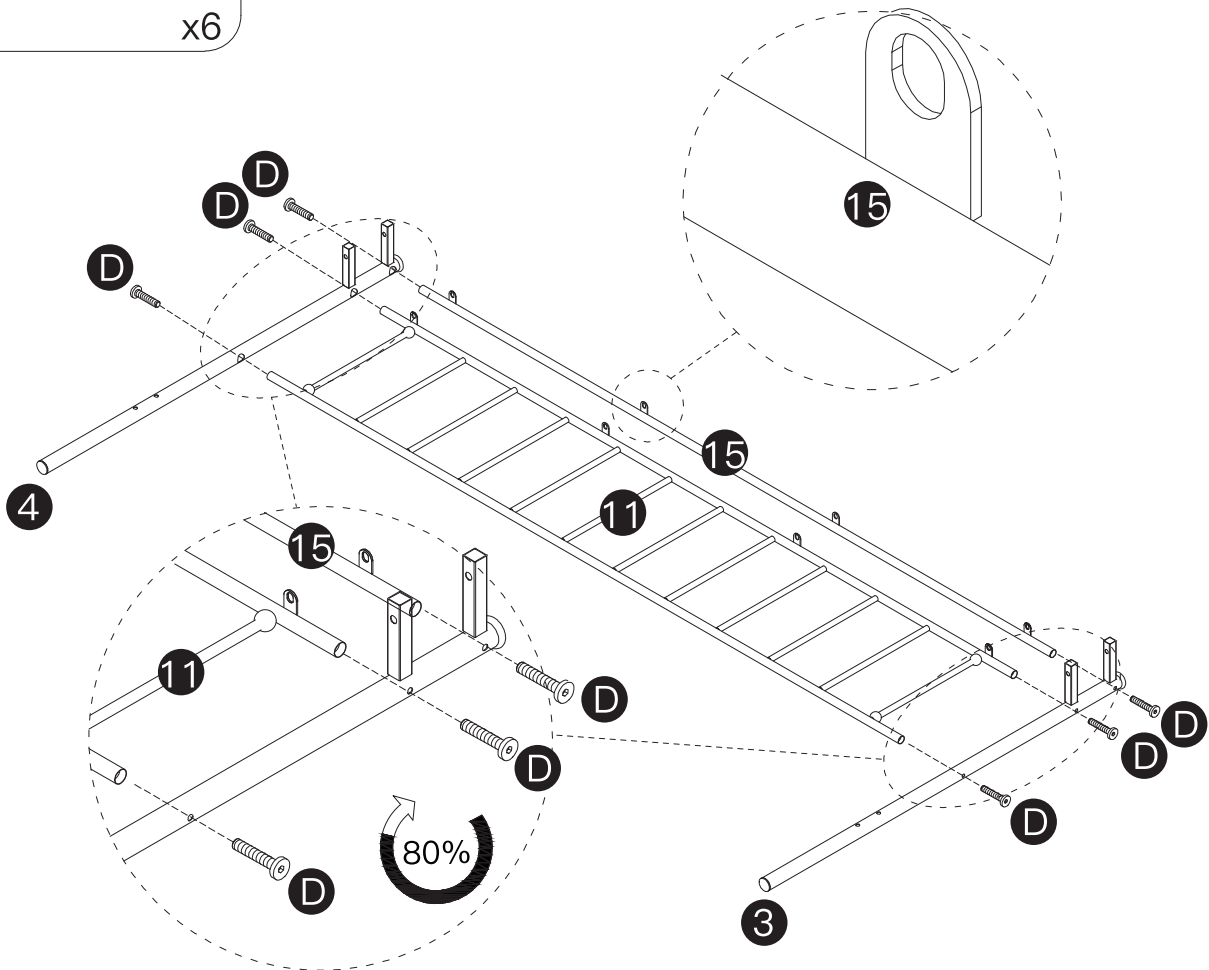


HOW TO INSTALL

STEP 1



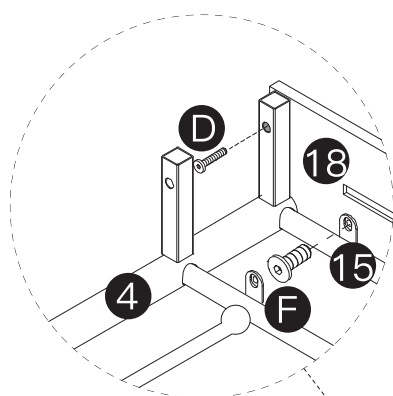
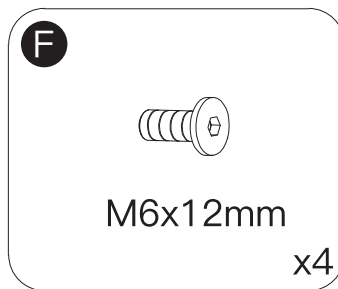
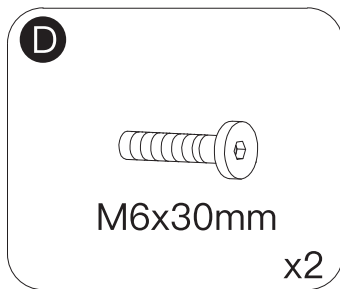
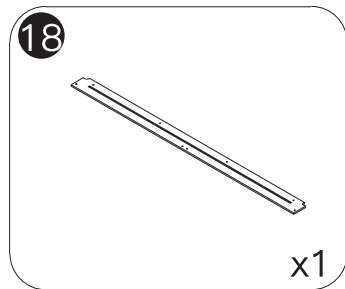
NOTICE:
Install part 15 as shown in the diagram



NOTICE:

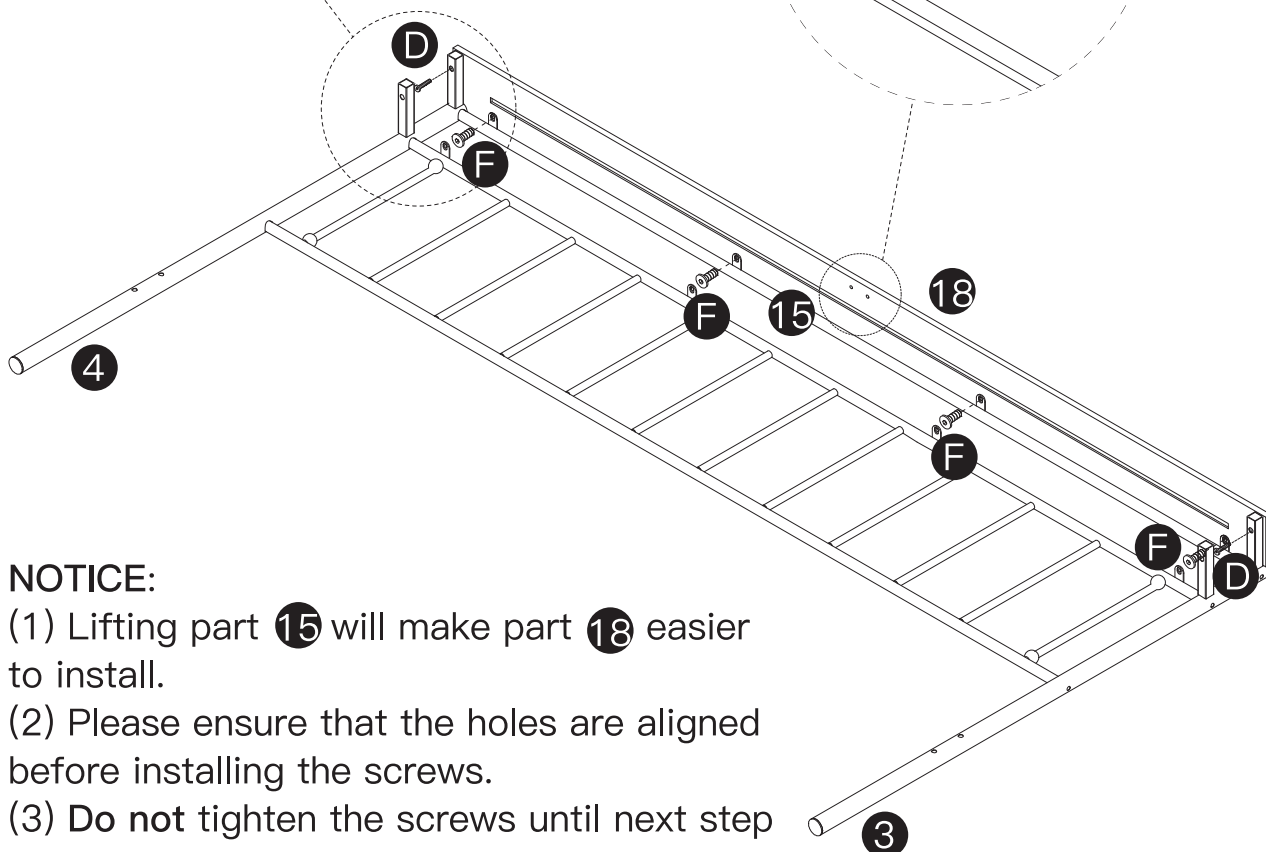
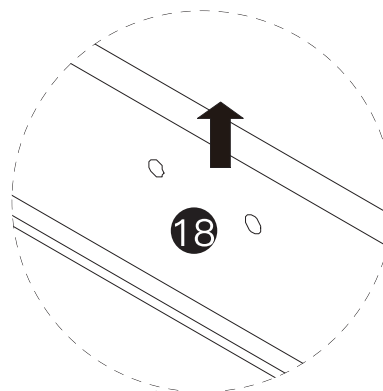
- (1) Installing all parts on one side first and then installing all parts on the other side will make installation easier.
- (2) Please fully embed part 11 & 15 into part 3 & 4 before installing the screws.
- (3) Do not tighten the screws until all of them are in right position.

STEP 2



NOTICE:

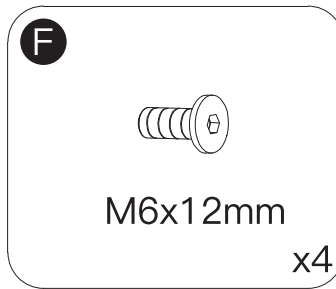
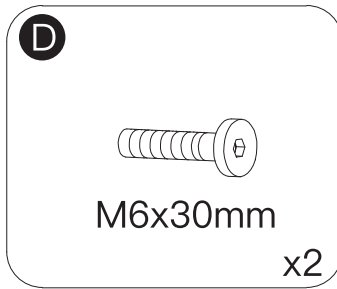
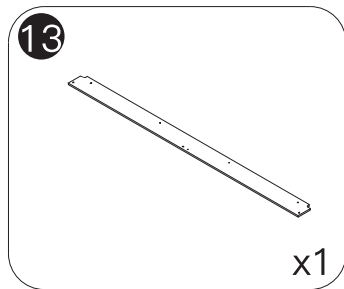
Ensure that part 18 has one side with two holes on top.



NOTICE:

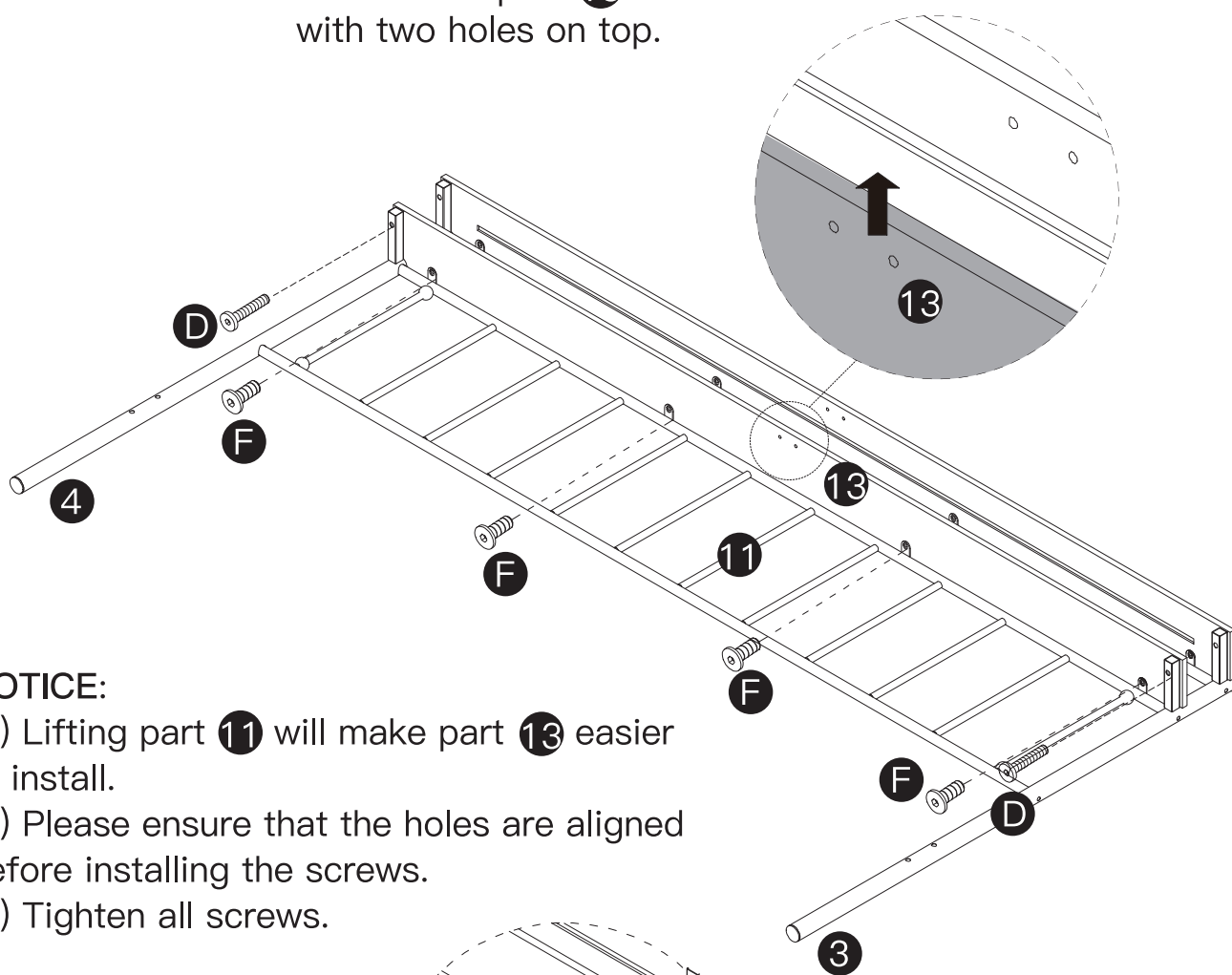
- (1) Lifting part 15 will make part 18 easier to install.
- (2) Please ensure that the holes are aligned before installing the screws.
- (3) Do not tighten the screws until next step is completed .

STEP 3



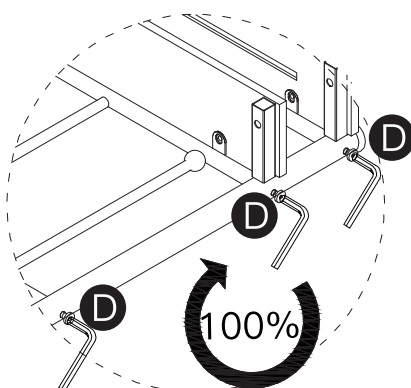
NOTICE:

Ensure that part 13 has one side with two holes on top.

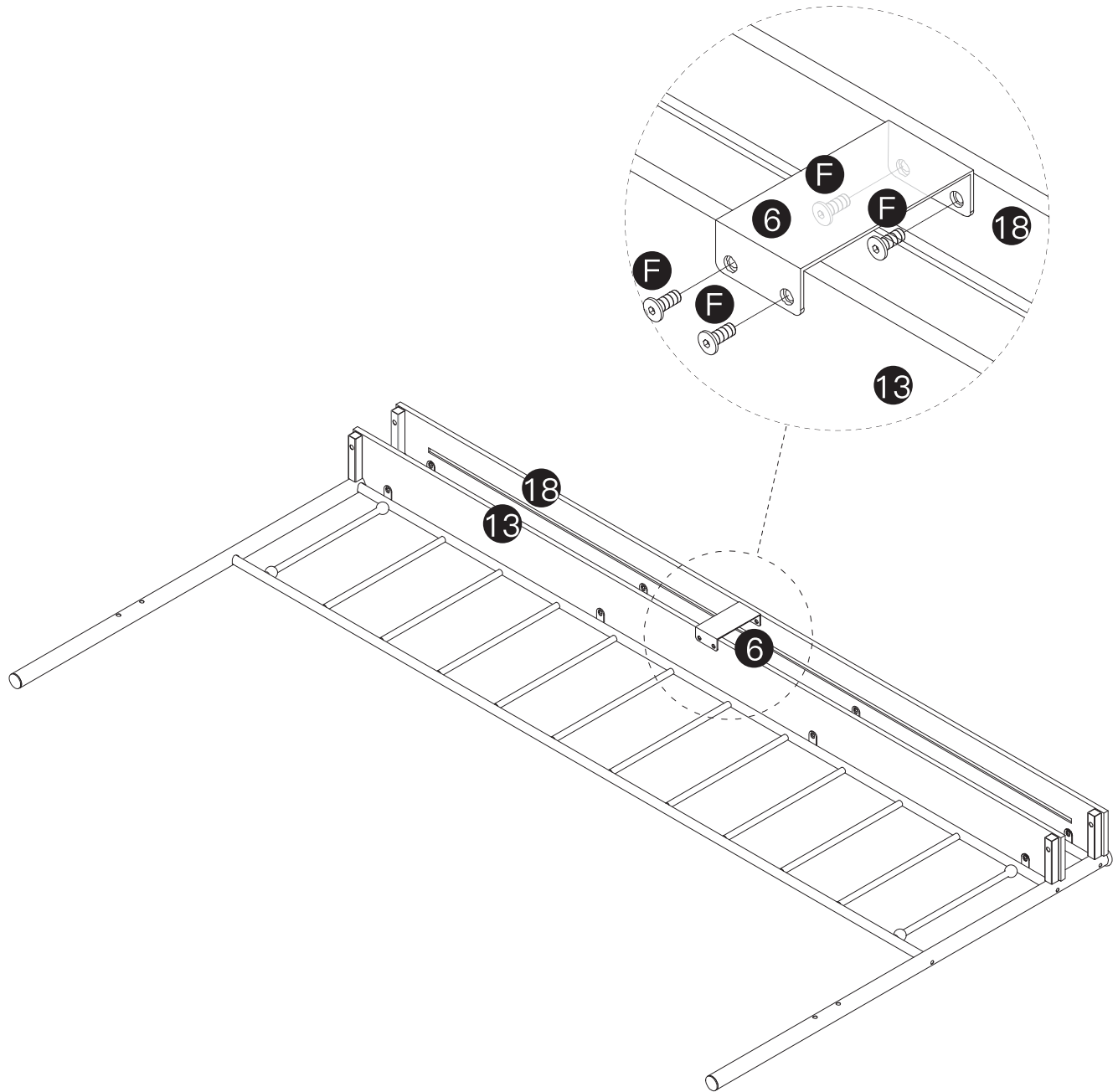
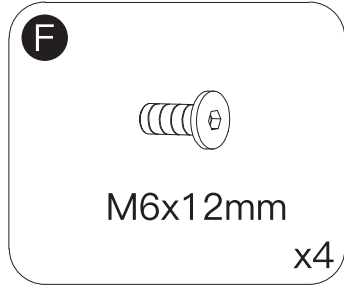
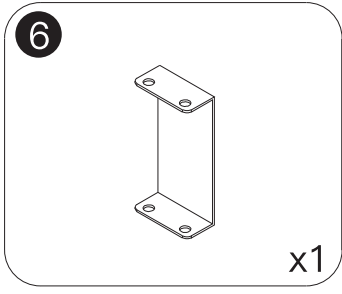


NOTICE:

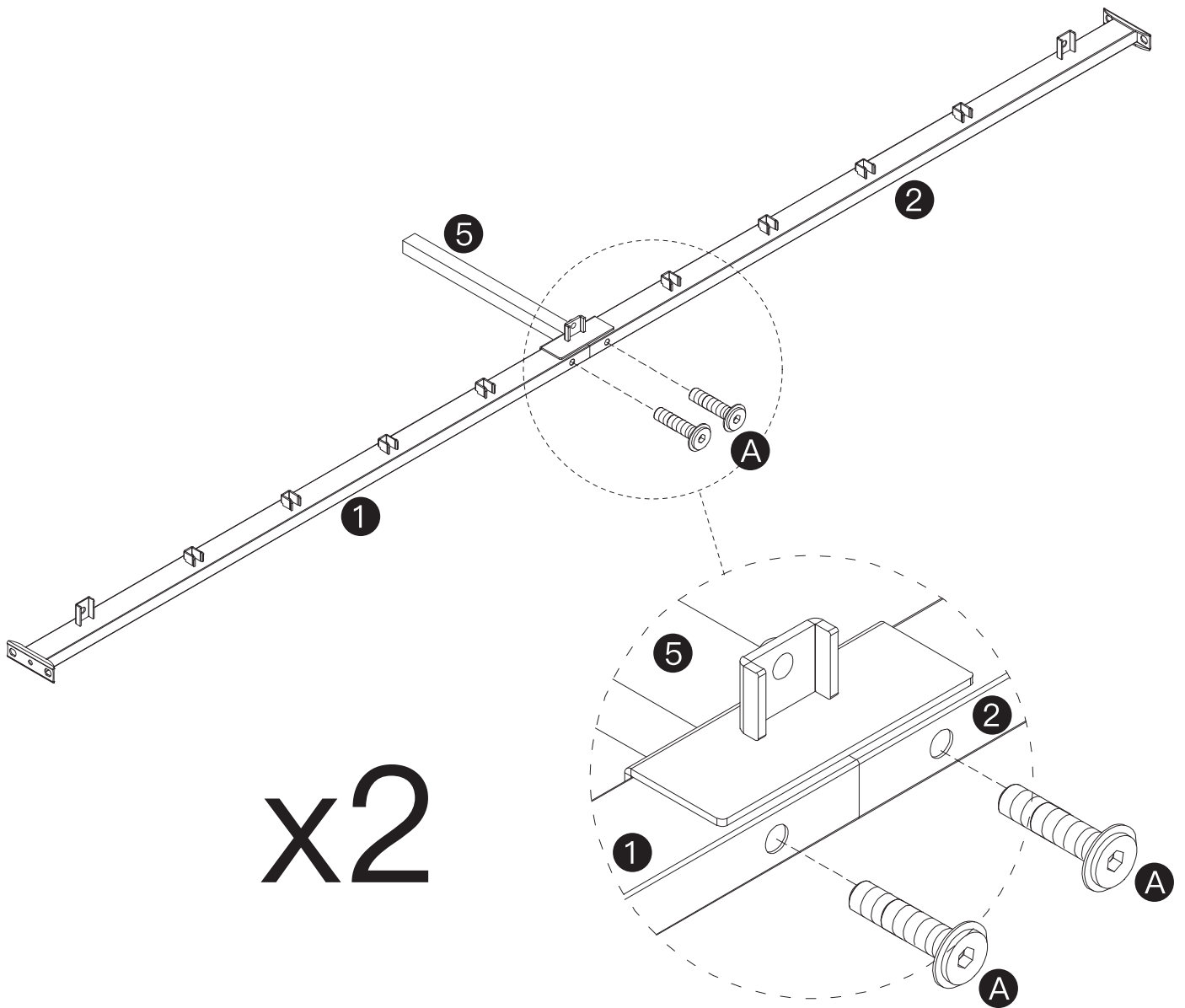
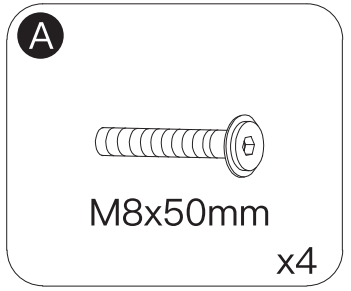
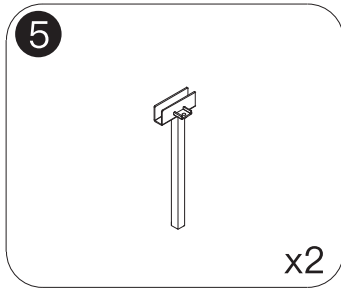
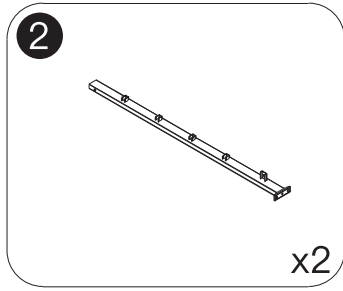
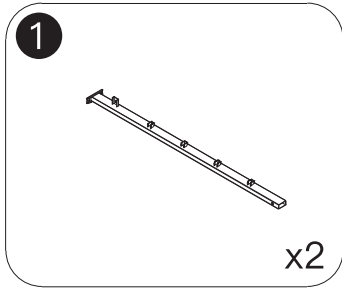
- (1) Lifting part 11 will make part 13 easier to install.
- (2) Please ensure that the holes are aligned before installing the screws.
- (3) Tighten all screws.



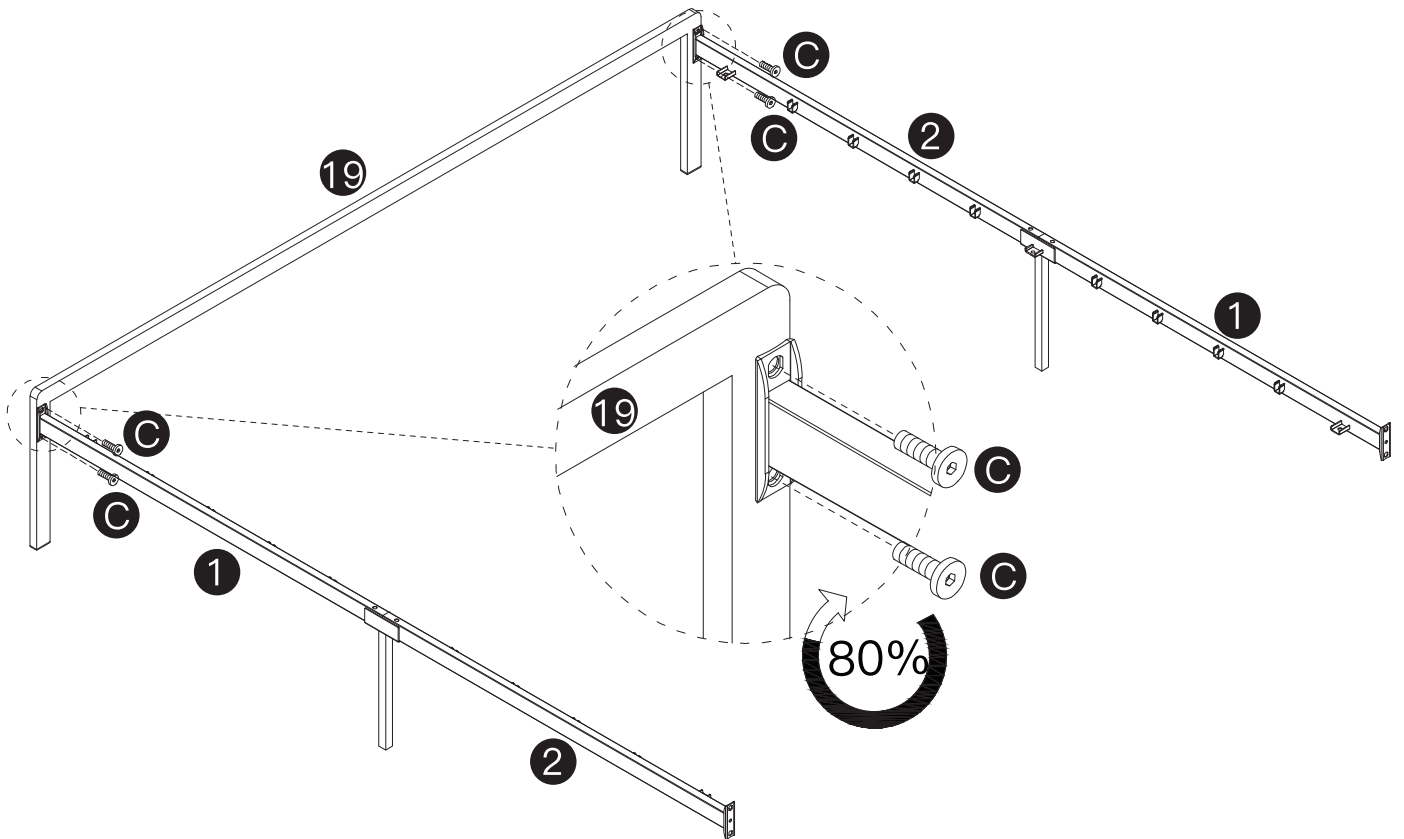
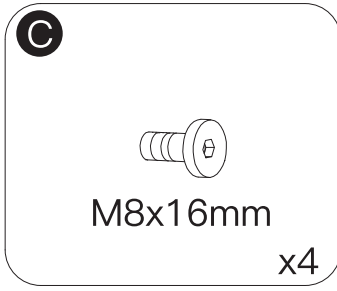
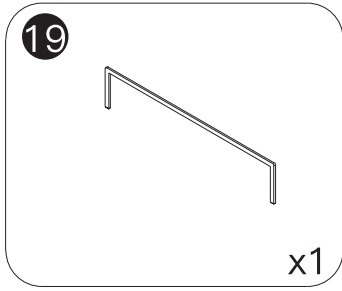
STEP 4



STEP 5

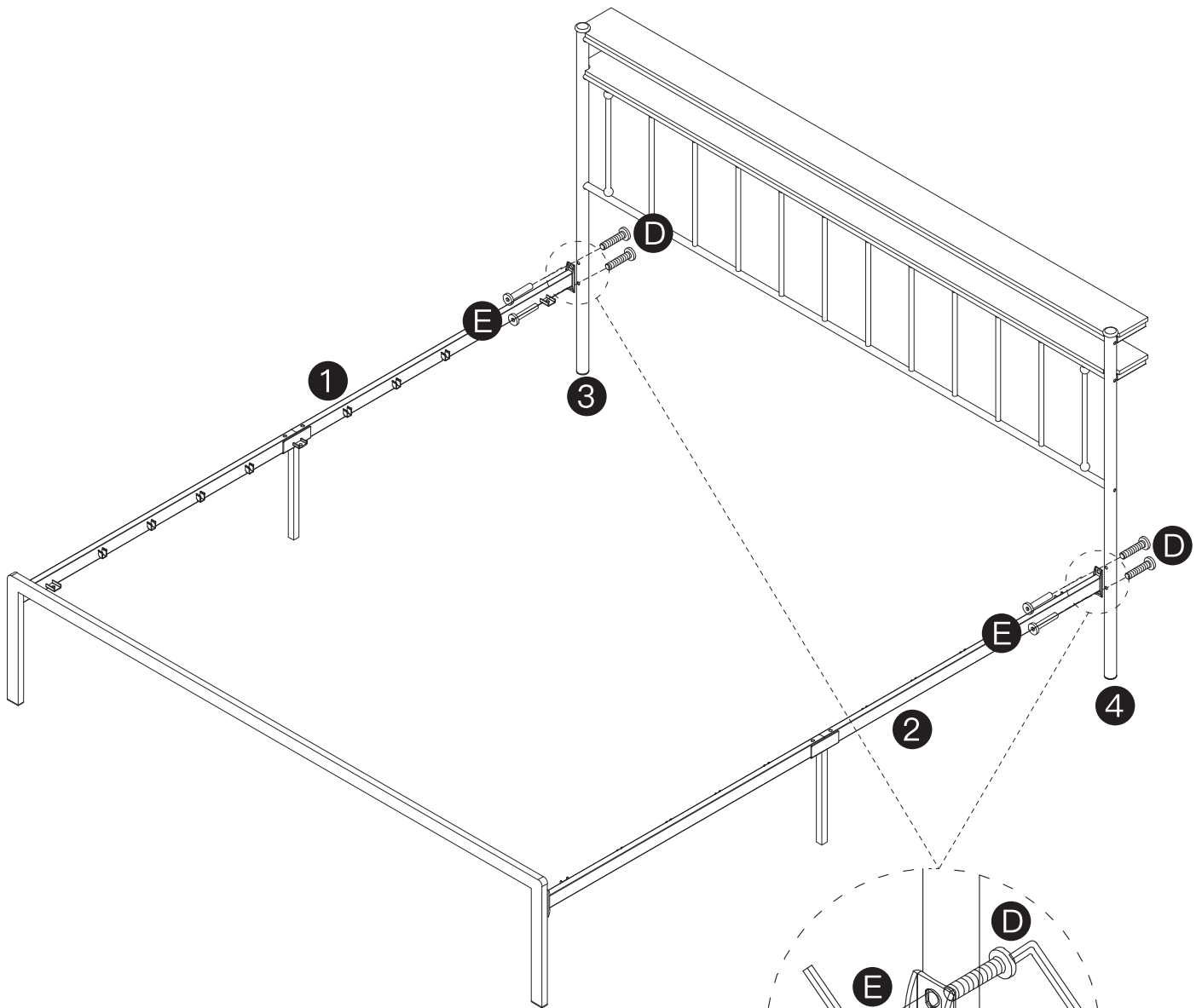
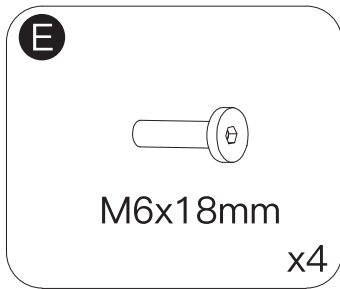
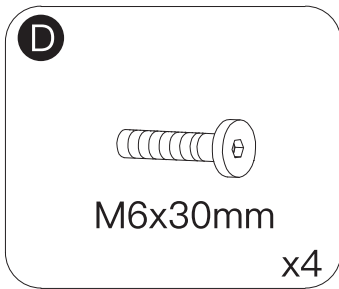


STEP 6



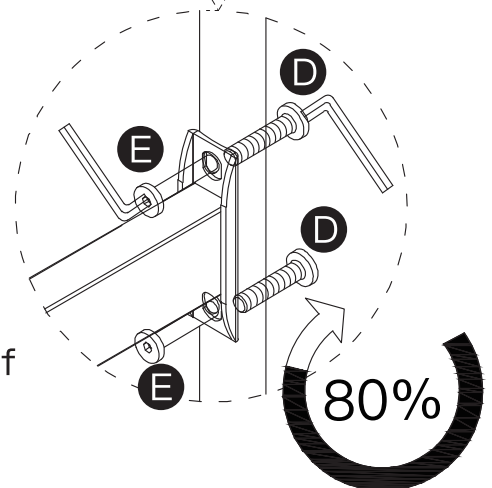
NOTICE:
Do not tighten the screws until all of them are in right position.

STEP 7

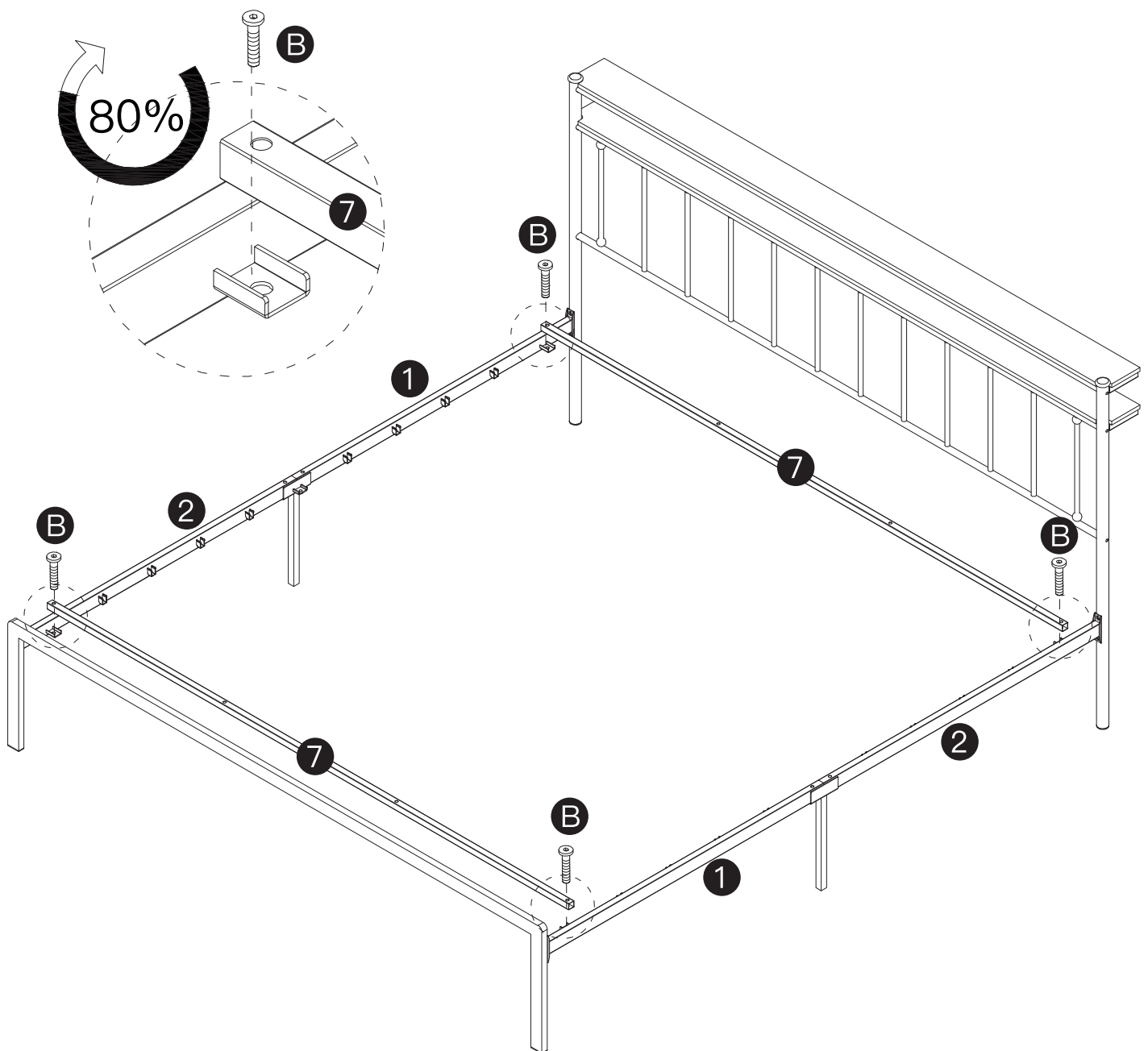
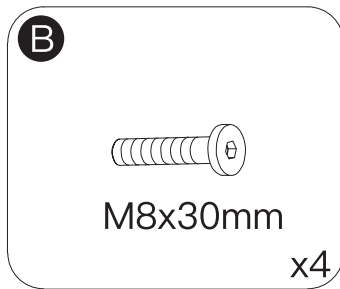
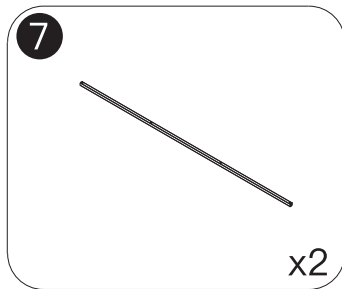


NOTICE:

- (1) Secure part **E** first with hex screwdriver, then lock it with part **D**.
- (2) Do not tighten the screws until all of them are in right position.

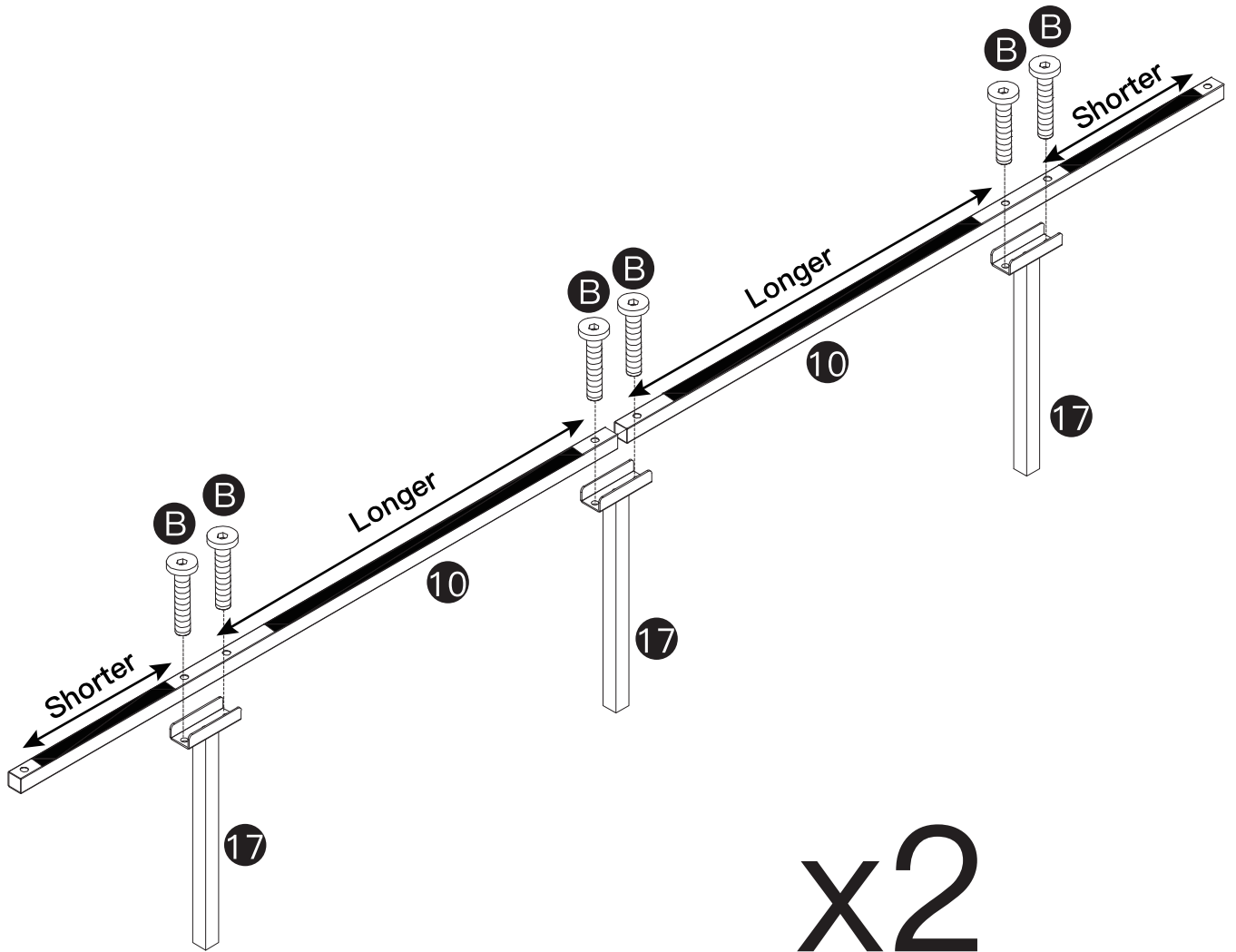
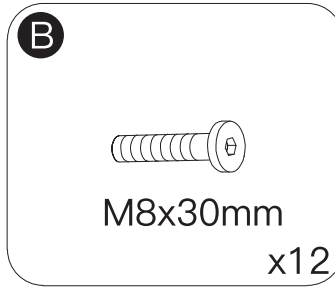
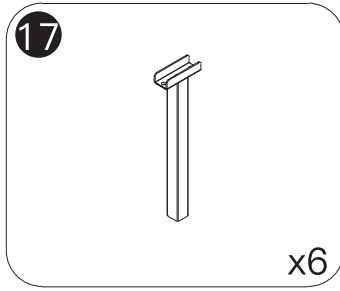
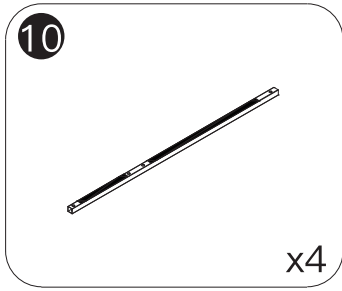


STEP 8



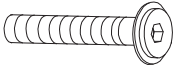
NOTICE:
Do not tighten the screws until all of them are in right position.

STEP 9



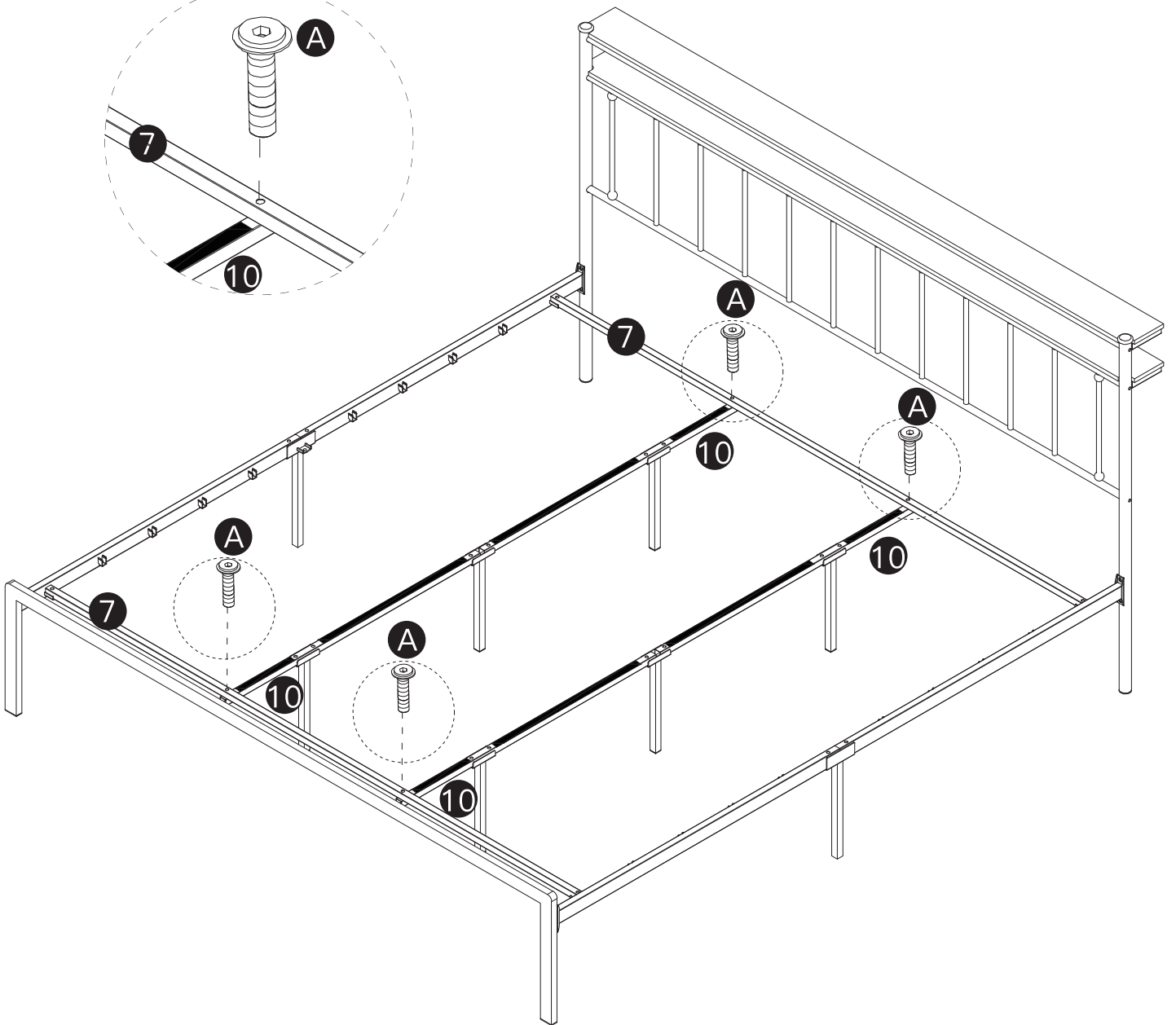
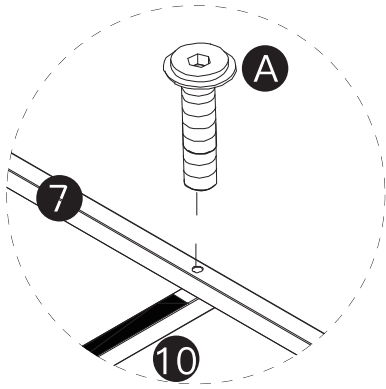
STEP 10

A

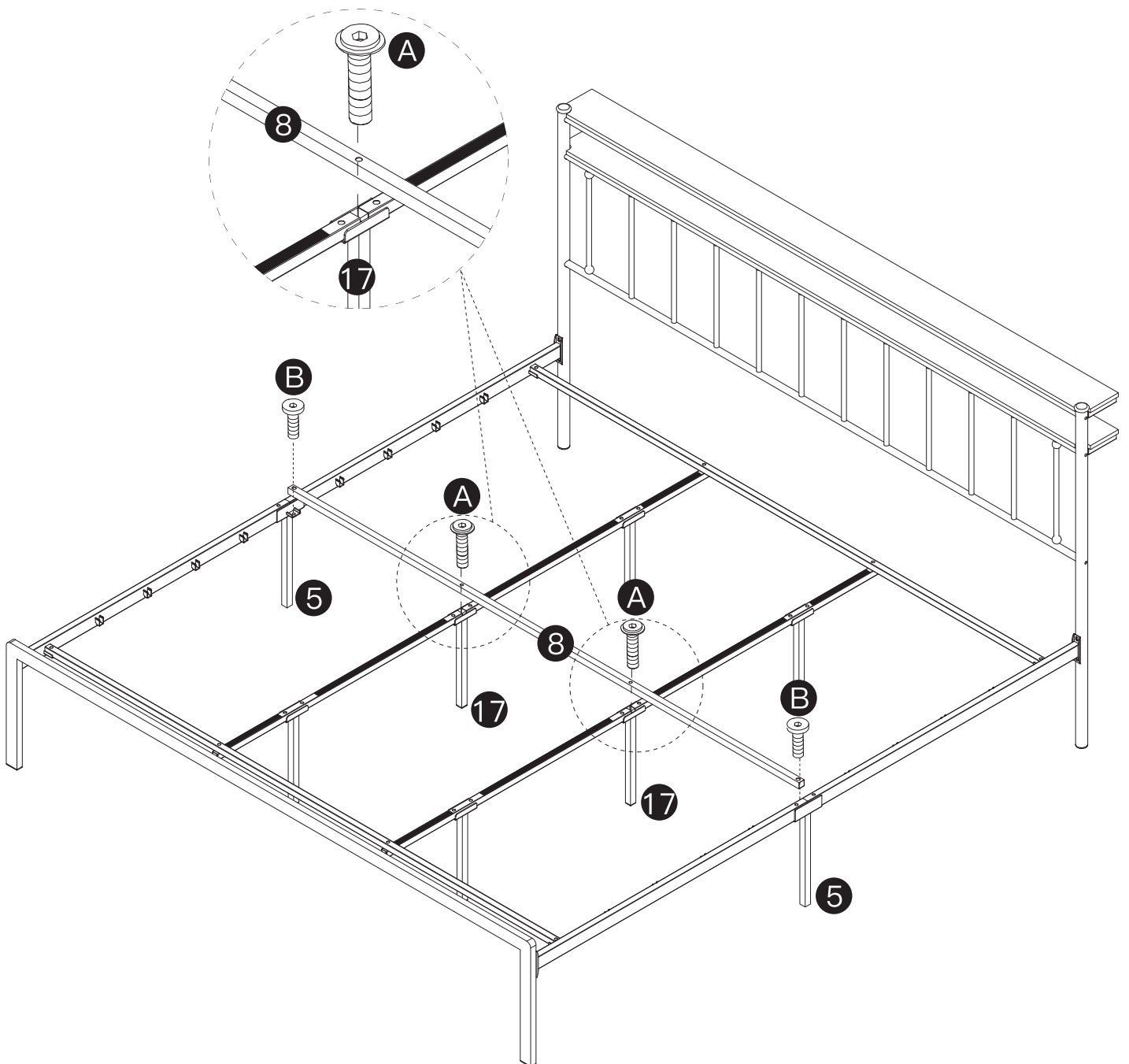
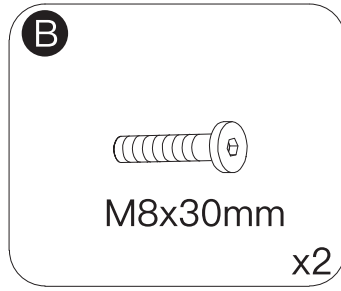
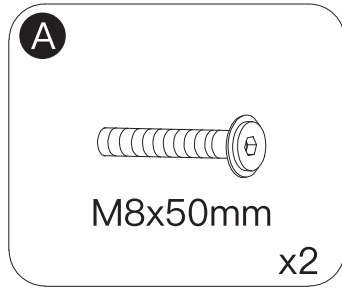
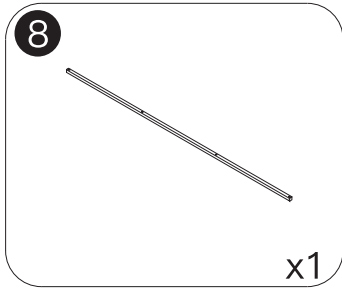


M8x50mm

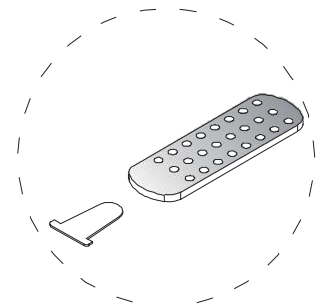
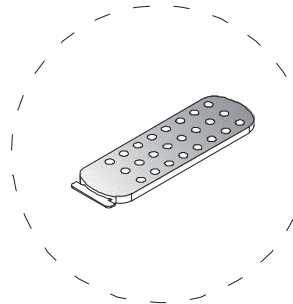
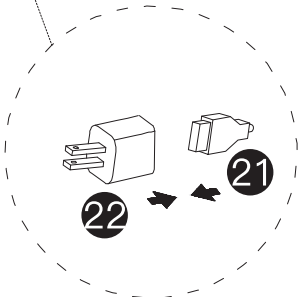
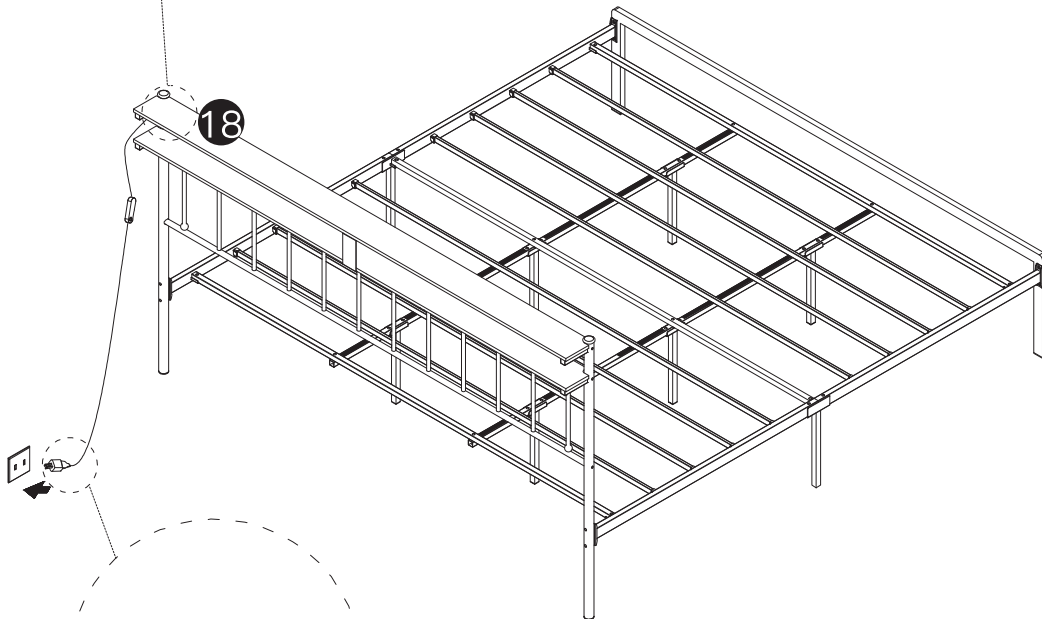
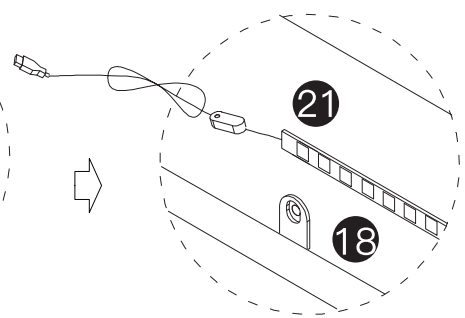
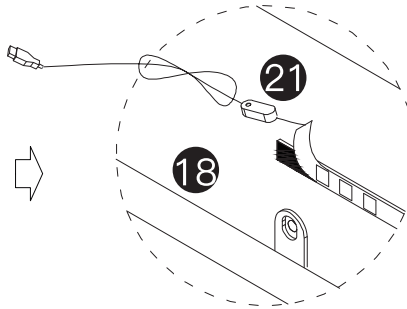
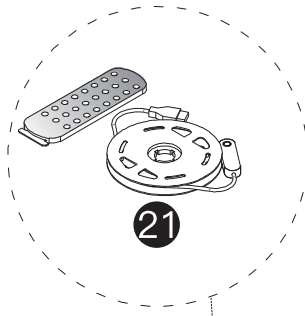
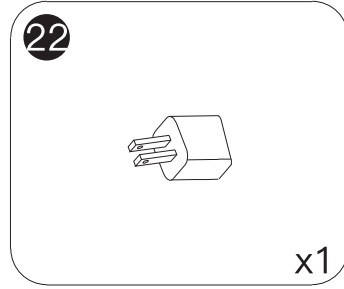
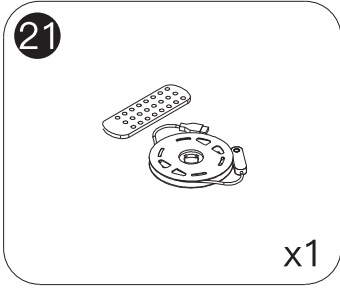
x4



STEP 11



STEP 13



Extract the insulation sheet

After-Sale Support

Dear Customer,

Thank you for choosing to purchase our products! We attach great importance to your shopping experience and hope to ensure that you are satisfied with this purchase.

Should you have any questions, please contact us through the original purchase platform. We will reply your messages as soon as possible, please kindly wait for the response from our team.

Thank you again for your understanding and support! If you have any other questions, please feel free to contact us at any time.

Best Regards,
After sales service team