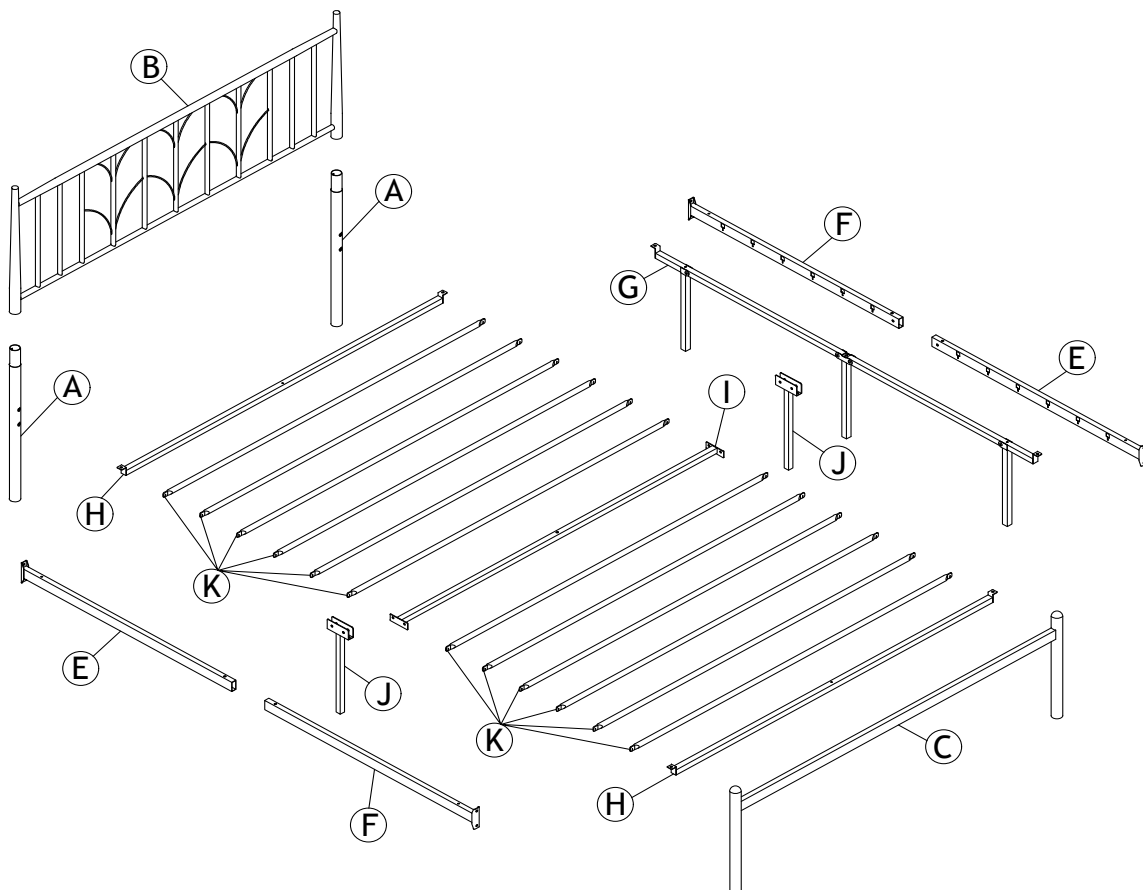
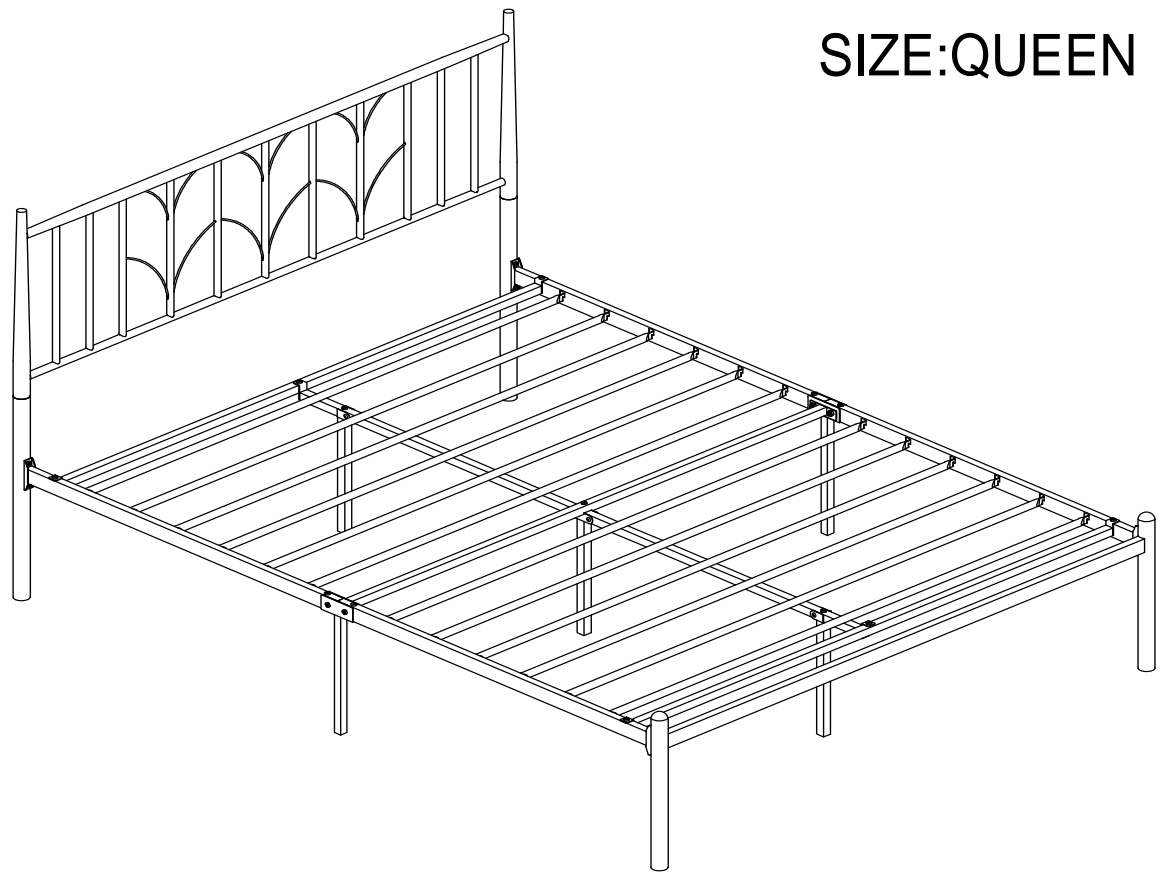


METAL BED

SIZE:QUEEN

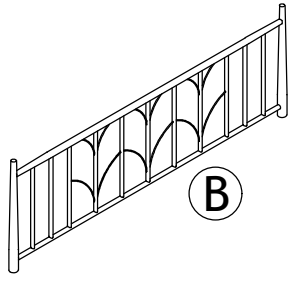


PARTS LIST



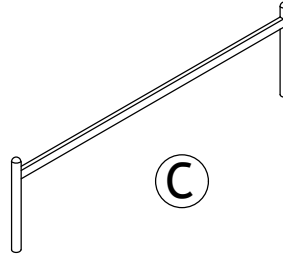
(A)

HEADBOARD POST
Q'ty: 2



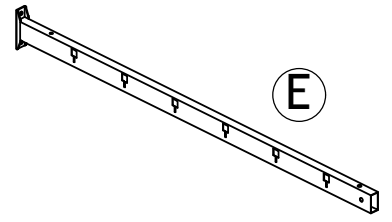
(B)

HEADBOARD BACKREST
Q'ty: 1



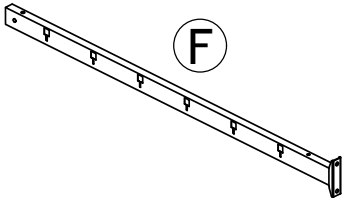
(C)

FOOTBOARD
Q'ty: 1



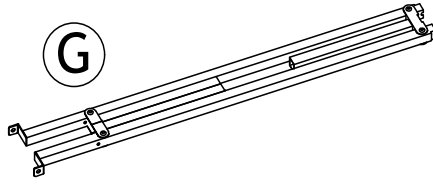
(E)

SIDE RAIL-1
Q'ty: 2



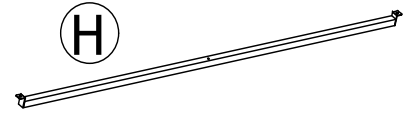
(F)

SIDE RAIL-2
Q'ty: 2



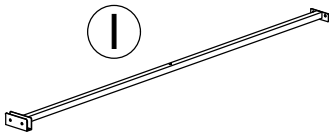
(G)

PORTION
Q'ty: 1



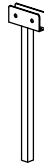
(H)

METAL TUBE
Q'ty: 2



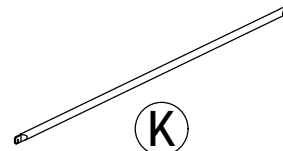
(I)

METAL TUBE
Q'ty: 1



(J)

SUPPORT LEG
Q'ty: 2



(K)

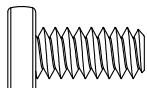
SLAT
Q'ty: 12

Hardware List



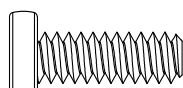
Ø1/4" x 13mm

(1) x 10



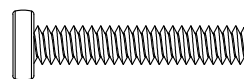
M8 x 20mm

(2) x 8



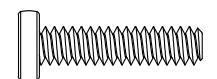
1/4" x 35mm

(3) x 2



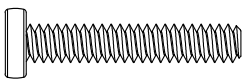
Ø1/4" x 50mm

(4) x 1



M8 x 38mm

(5) x 4



M8 x 50mm

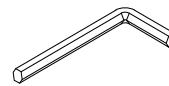
(6) x 4



(7) x 8

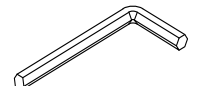


(8) x 1



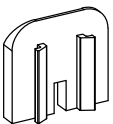
M4

(9) x 1



M5

(10) x 1



(11) x 24

STEP 1

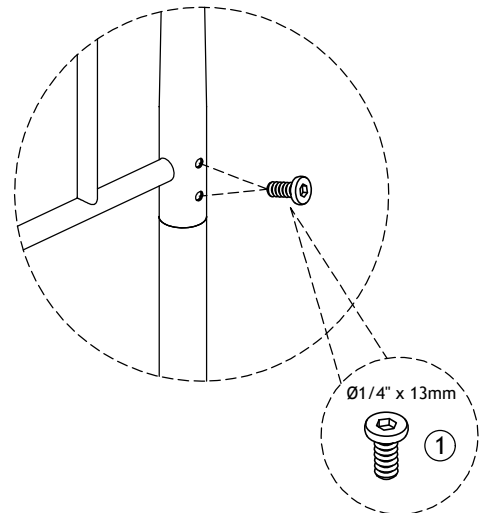
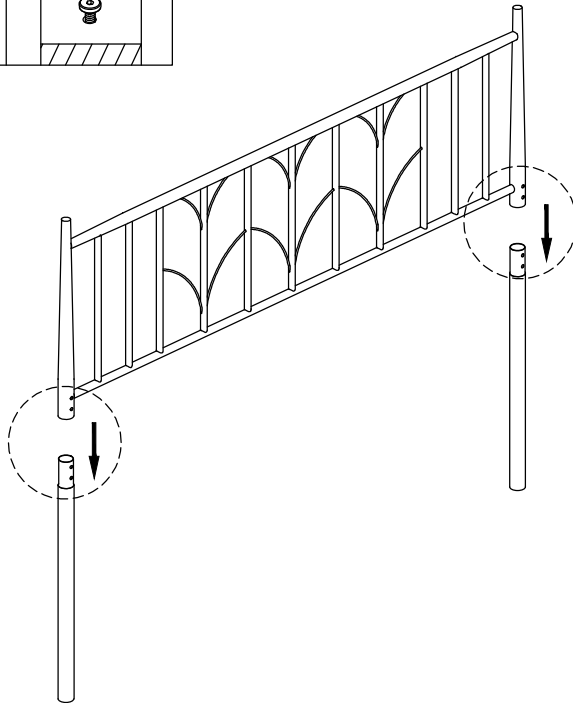
⚠ Please tighten the screws to 80% first, and tighten all screws 100% after all parts are assembled.

Ø1/4" x 13mm

①	x 4
---	-----

M4

⑨	x 1
---	-----



Before you install this bolt, please make sure the bolt size is Ø1/4" x 13mm.

STEP 2

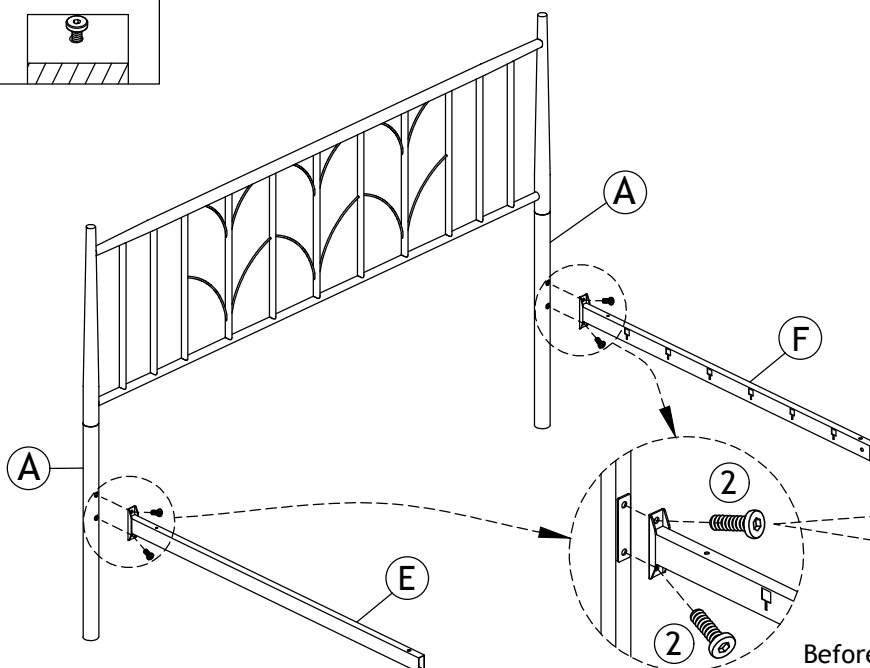
⚠ Please tighten the screws to 80% first, and tighten all screws 100% after all parts are assembled.

M8 x 20mm

②	x 4
---	-----

M5

⑩	x 1
---	-----



Before you install this bolt, please make sure the bolt size is M8*20mm.

STEP 3

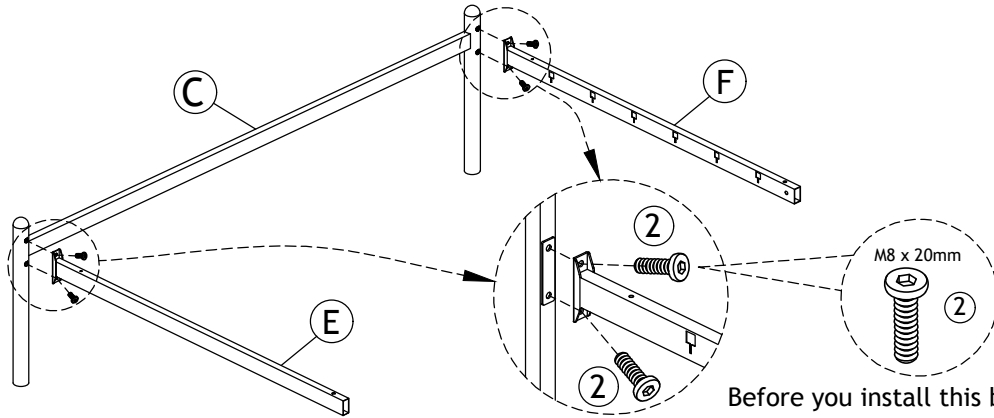
⚠ Please tighten the screws to 80% first, and tighten all screws 100% after all parts are assembled.

M8 x 20mm

②	x 4
---	-----

M5

⑩	x 1
---	-----



Before you install this bolt, please make sure the bolt size is M8*20mm.

STEP 4

⚠ Please tighten the screws to 80% first, and tighten all screws 100% after all parts are assembled.

⑧	x 1
---	-----

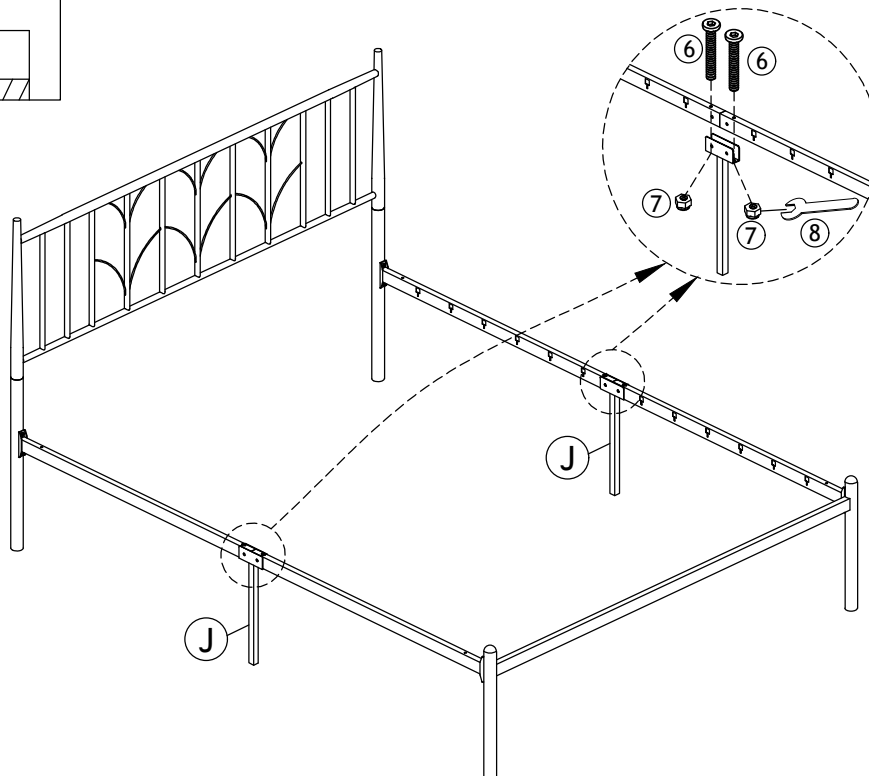
⑦	x 4
---	-----

M8x 50mm

⑥	x 4
---	-----

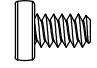
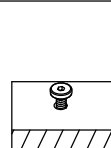
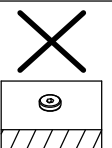

M5

⑩	x 1
---	-----




STEP 5

Please tighten the screws to 80% first, and tighten all screws 100% after all parts are assembled.



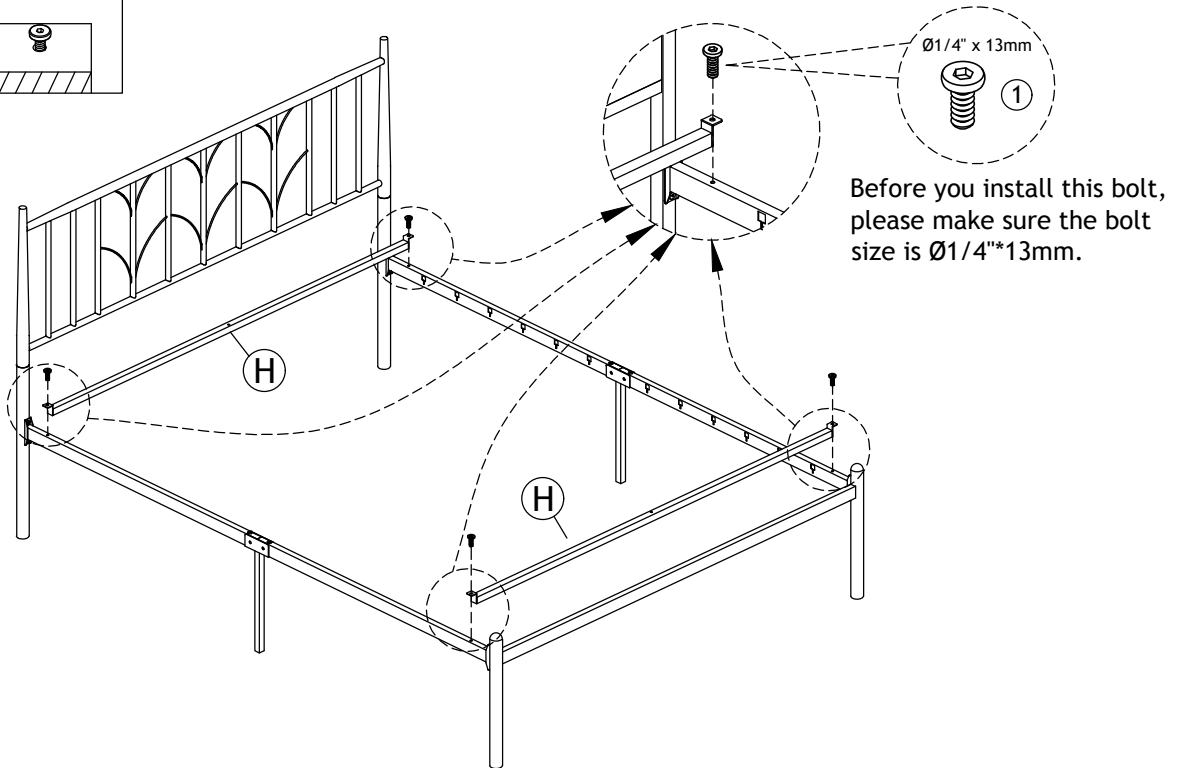
Ø1/4" x 13mm

1	x 4
---	-----

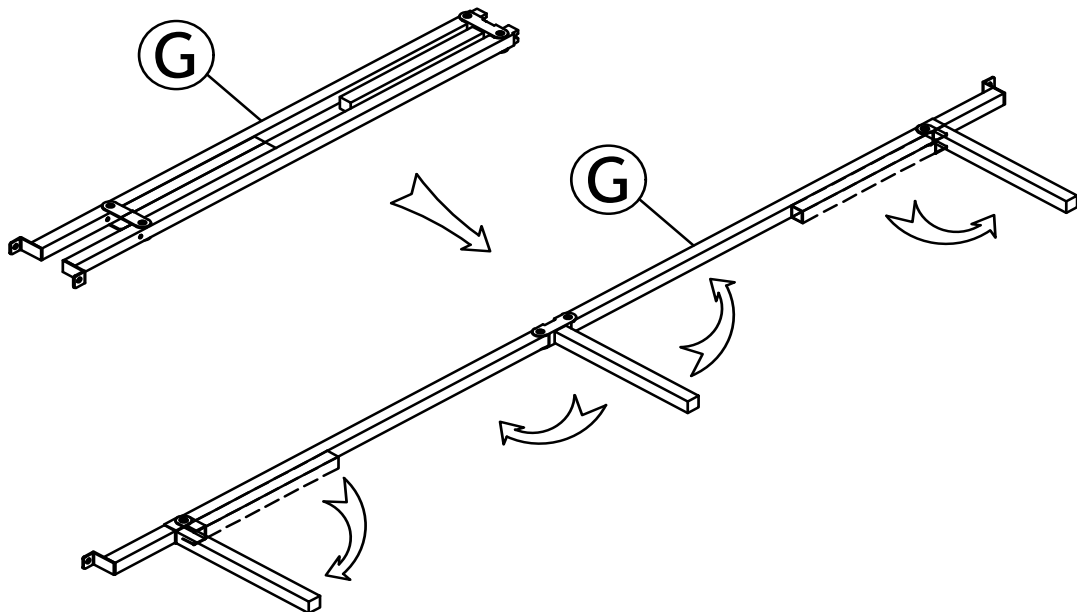


M4

9	x 1
---	-----



STEP 6



Expand the folded portion

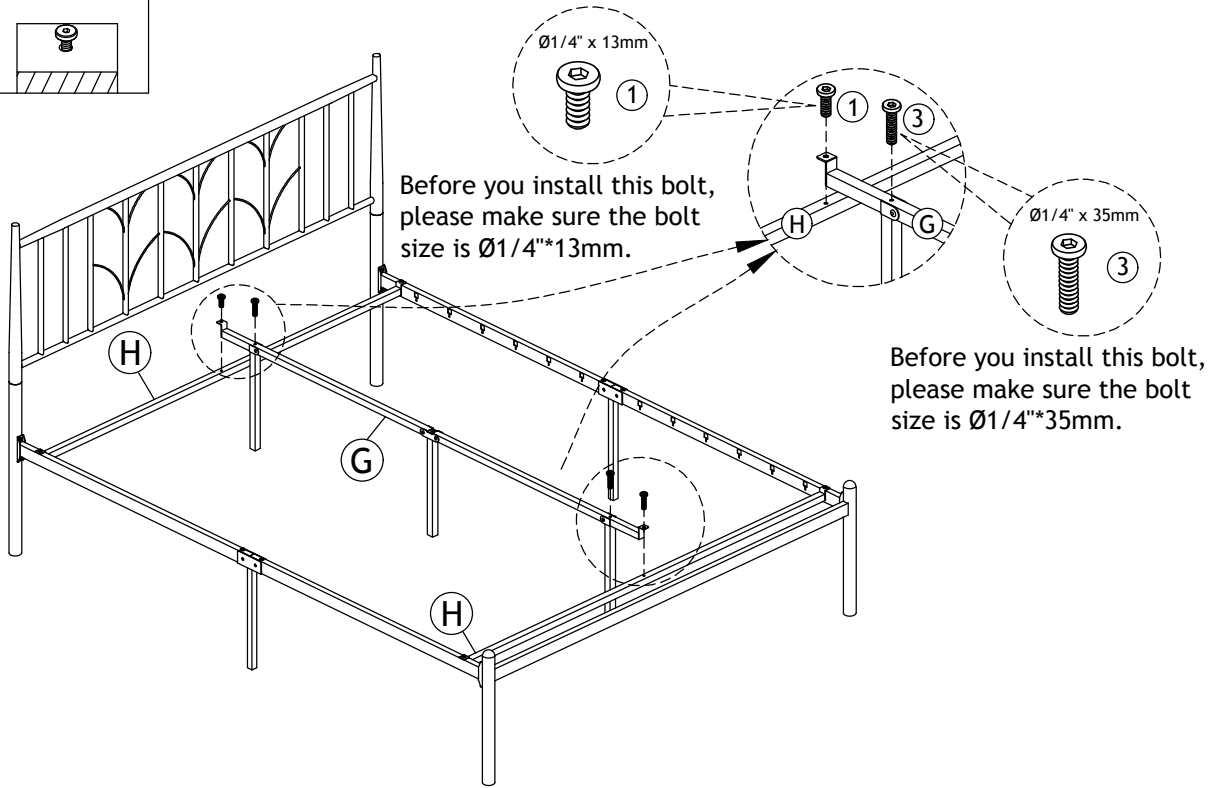
STEP 7

⚠ Please tighten the screws to 80% first, and tighten all screws 100% after all parts are assembled.

Ø1/4" x 13mm
① x 2

Ø1/4" x 35mm
③ x 2

M4
⑨ x 1



STEP 8

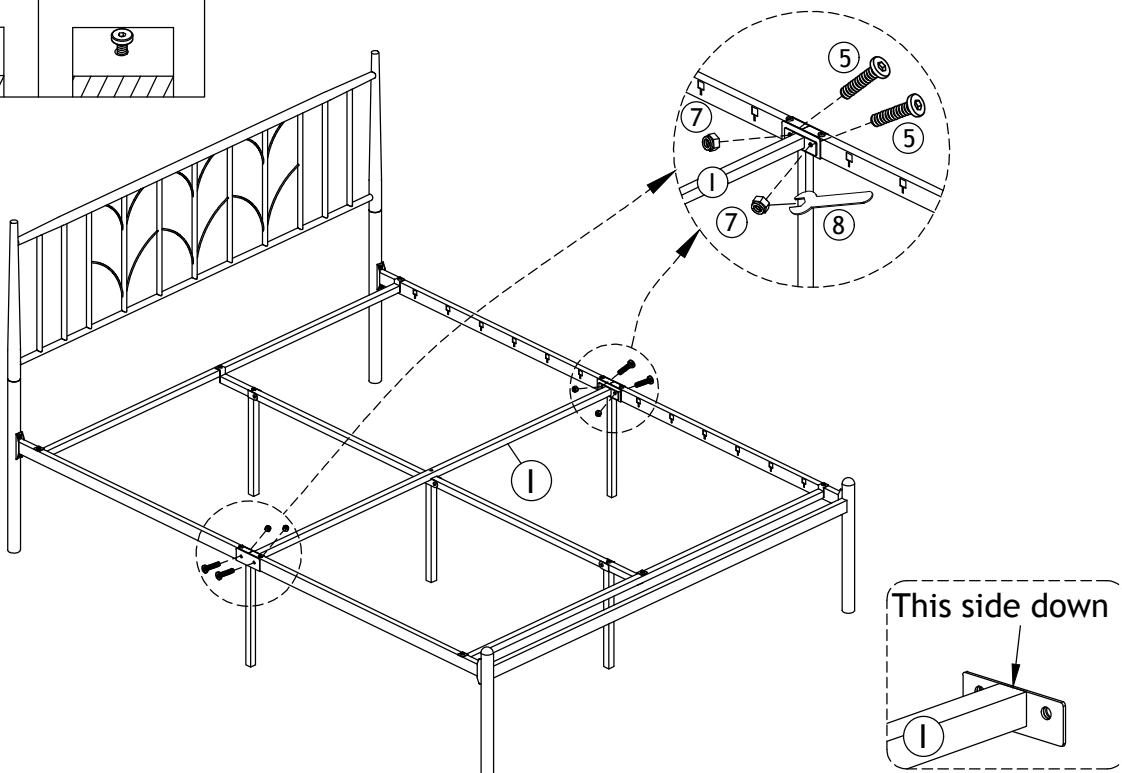
⚠ Please tighten the screws to 80% first, and tighten all screws 100% after all parts are assembled.

⑧ x 1


⑦ x 4

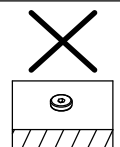
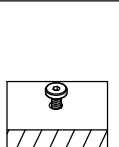
M8 x 38mm
⑤ x 4

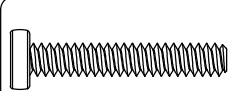
M5
⑩ x 1

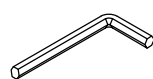


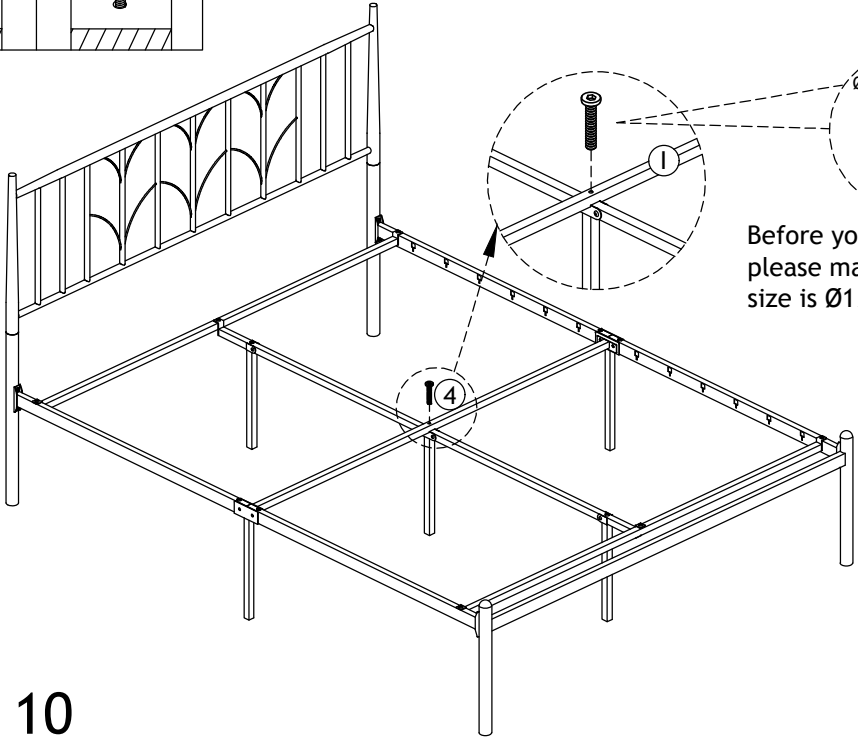
STEP 9

 Please tighten the screws to 80% first, and tighten all screws 100% after all parts are assembled.

	
---	---

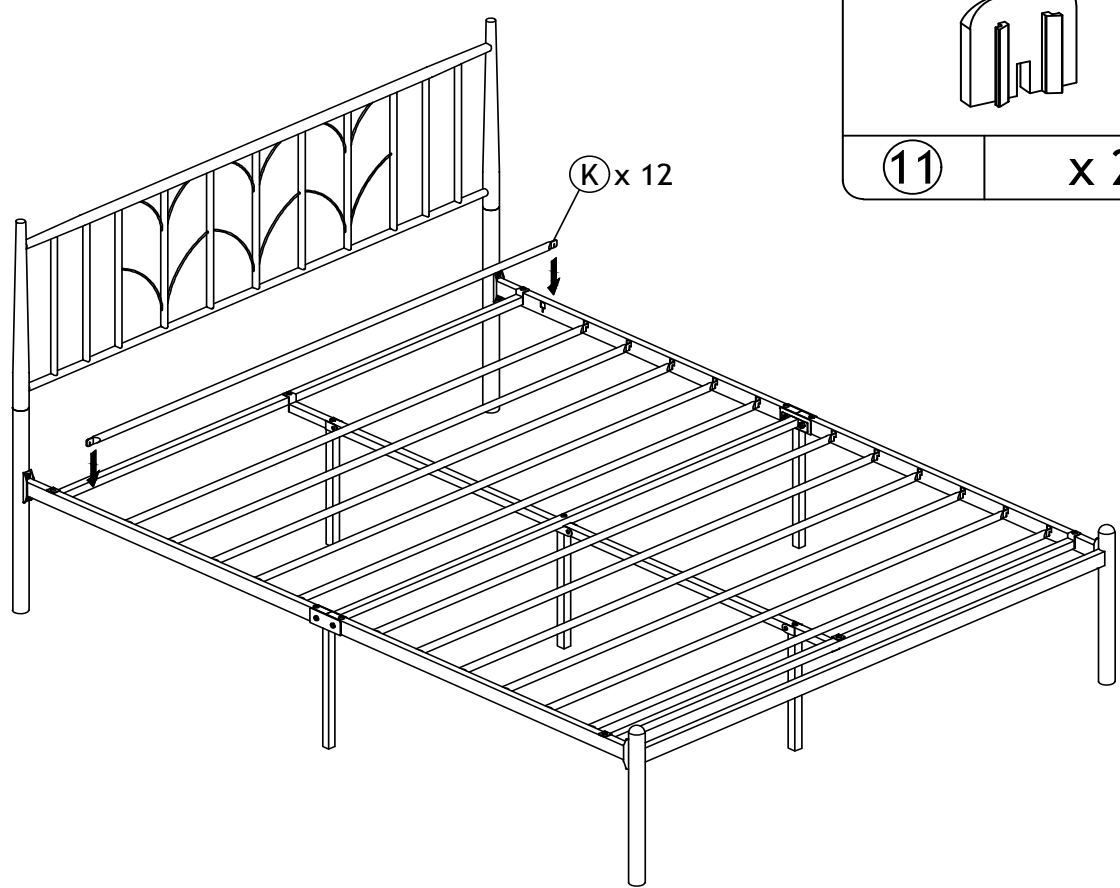

Ø1/4" x 50mm
④ x 1

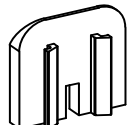

M4
⑨ x 1



Before you install this bolt, please make sure the bolt size is Ø1/4" * 50mm.

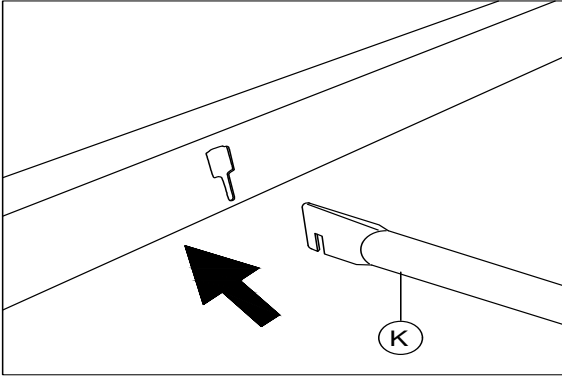
STEP 10



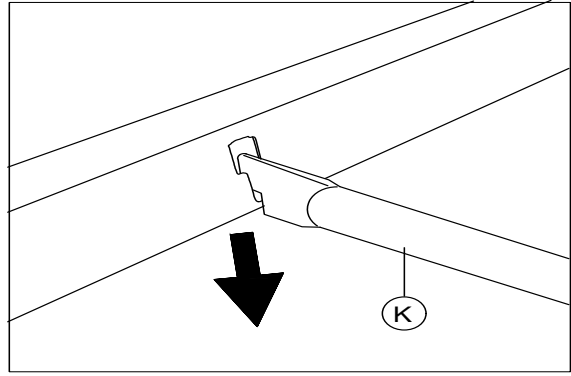

⑪ x 24

STEP 11

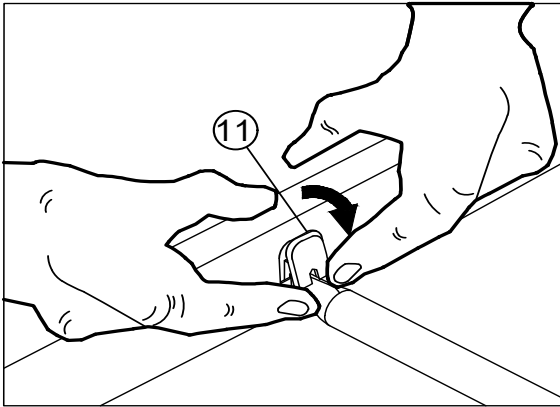
Assemble the slats



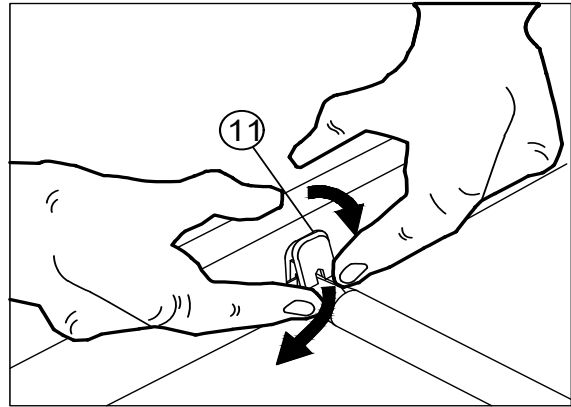
1. Insert slats into the hole on sidebar in the correct orientation.



2. Push the slats into the gaps.



3. Put the plastic buckle (11) into the lower part of hole on 45 degree.



4. Press tight the upper part of clamp to fix its position.